



US00D907840S

(12) **United States Design Patent**  
**Wilcox et al.**

(10) **Patent No.:** **US D907,840 S**  
(45) **Date of Patent:** **\*\* Jan. 12, 2021**

(54) **LUMINAIRE**

(71) Applicant: **IDEAL INDUSTRIES LIGHTING LLC**, Sycamore, IL (US)

(72) Inventors: **Kurt Wilcox**, Libertyville, IL (US); **Bin Hou**, Schaumburg, IL (US); **Randy Bernard**, Cary, NC (US); **Kurt Schreib**, Shorewood, WI (US); **Moxuan Zhu**, Cary, NC (US)

(73) Assignee: **IDEAL Industries Lighting LLC**, Sycamore, IL (US)

(\*\*) Term: **15 Years**

(21) Appl. No.: **29/691,865**

(22) Filed: **May 20, 2019**

(51) **LOC (13) Cl.** ..... **26-05**

(52) **U.S. Cl.**  
USPC ..... **D26/118**

(58) **Field of Classification Search**  
USPC ..... D26/1, 24, 36, 40, 72, 88, 89, 118, 123, D26/124, 138

CPC ..... F21V 29/00; F21V 29/74; F21V 29/77; F21V 29/78; F21V 29/80; F21V 29/506; F21V 29/507; F21V 29/767; F21V 29/777; F21V 29/2212; F21V 21/00; F21V 21/02; F21V 21/03; F21V 21/008; F21V 15/00; F21V 15/01; F21V 15/012; F21V 31/00; F21Y 2115/10; F21Y 2103/33

See application file for complete search history.

(56) **References Cited**

**U.S. PATENT DOCUMENTS**

9,581,323 B2 \* 2/2017 Shum ..... F21V 23/005  
D855,247 S \* 7/2019 Wang ..... D26/118

D856,571 S \* 8/2019 Chami ..... D26/118  
D857,256 S \* 8/2019 Li ..... D26/24  
D868,332 S \* 11/2019 Zhao ..... D26/72  
D868,335 S \* 11/2019 Li ..... D26/72  
D868,336 S \* 11/2019 Li ..... D26/72  
D875,292 S \* 2/2020 Zhou ..... D26/72  
D882,854 S \* 4/2020 Yang ..... D26/72  
D887,077 S \* 6/2020 Wright ..... D26/124  
2010/0220487 A1 \* 9/2010 Ming ..... F21K 9/60  
362/373  
2017/0257922 A1 \* 9/2017 Matsubayashi ..... F21V 3/02

\* cited by examiner

*Primary Examiner* — Wan Laymon

*Assistant Examiner* — Clint A Samuel

(74) *Attorney, Agent, or Firm* — J. Clinton Wimbish; Nexsen Pruet, PLLC

(57) **CLAIM**

The ornamental design for a luminaire, as shown and described herein.

**DESCRIPTION**

FIG. 1 is a bottom view of an ornamental design of a luminaire of the present invention.

FIG. 2 is a perspective view of the luminaire.

FIG. 3 is a further perspective view of the luminaire.

FIG. 4 is a front side view of the luminaire.

FIG. 5 is a rear side view of the luminaire.

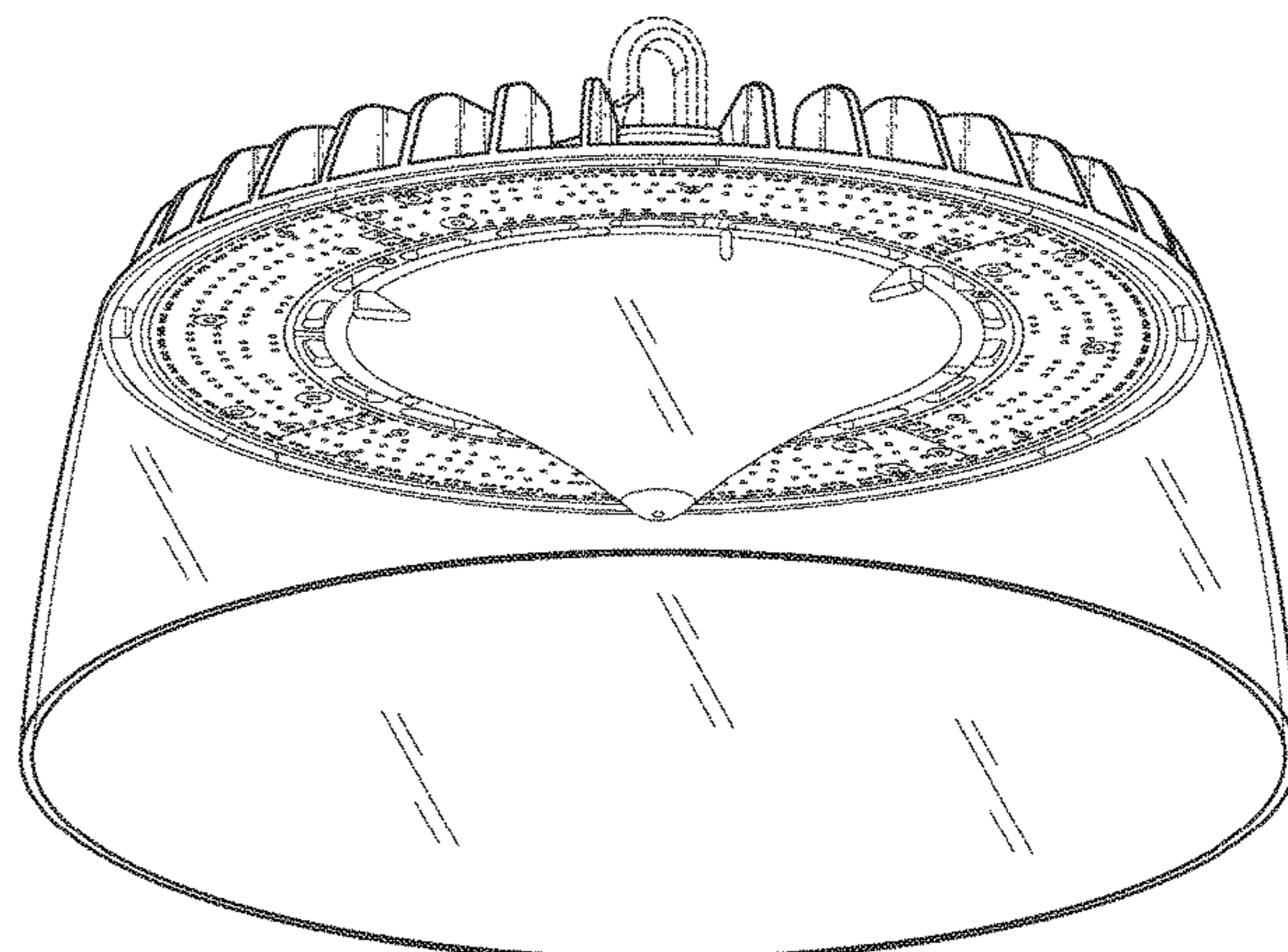
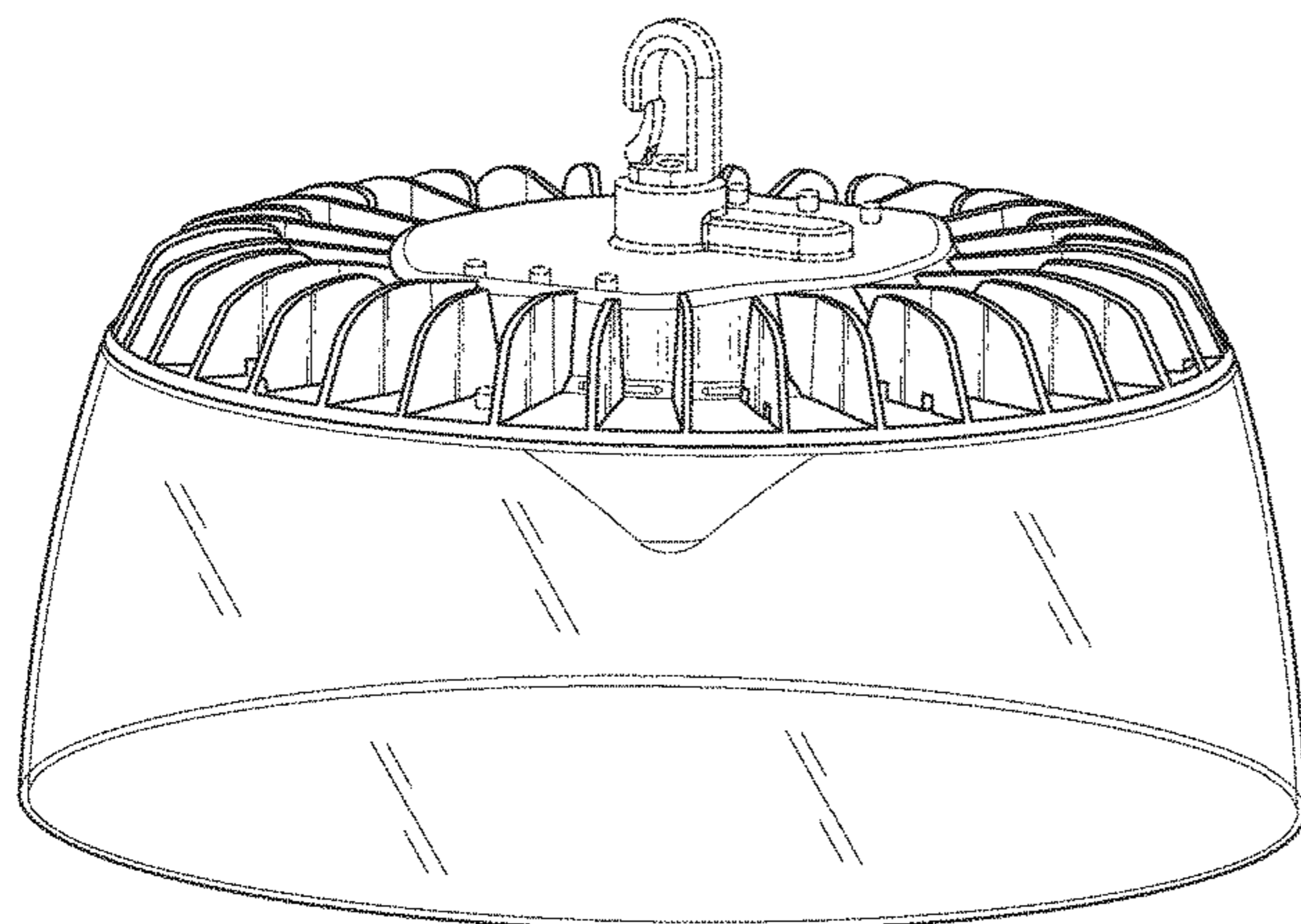
FIG. 6 is a left side view of the luminaire.

FIG. 7 is a right side view of the luminaire; and,

FIG. 8 is a top view of the luminaire.

The broken lines shown on the drawings depict portions of the luminaire that form no part of the claimed design.

**1 Claim, 6 Drawing Sheets**



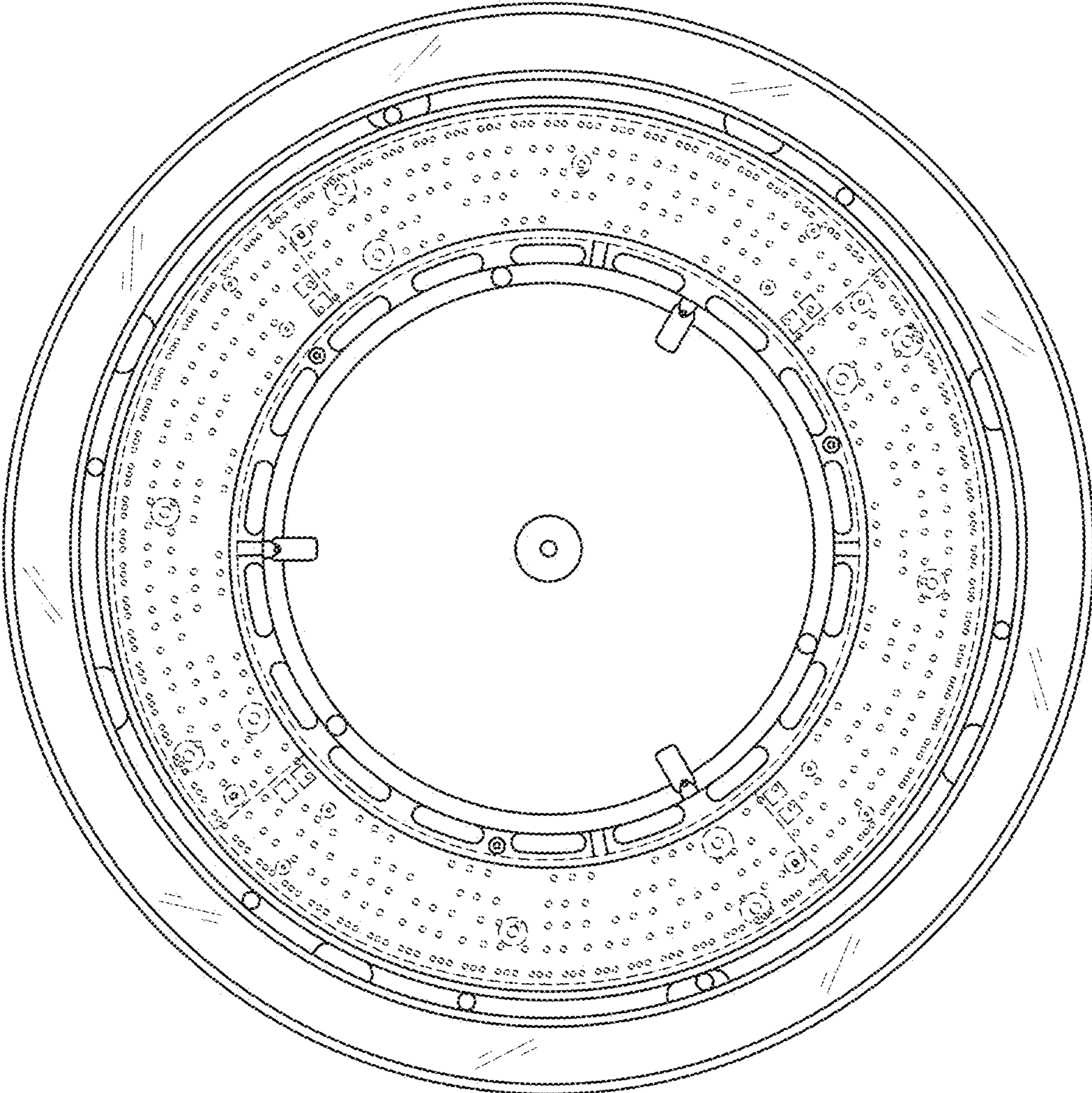


FIG. 1

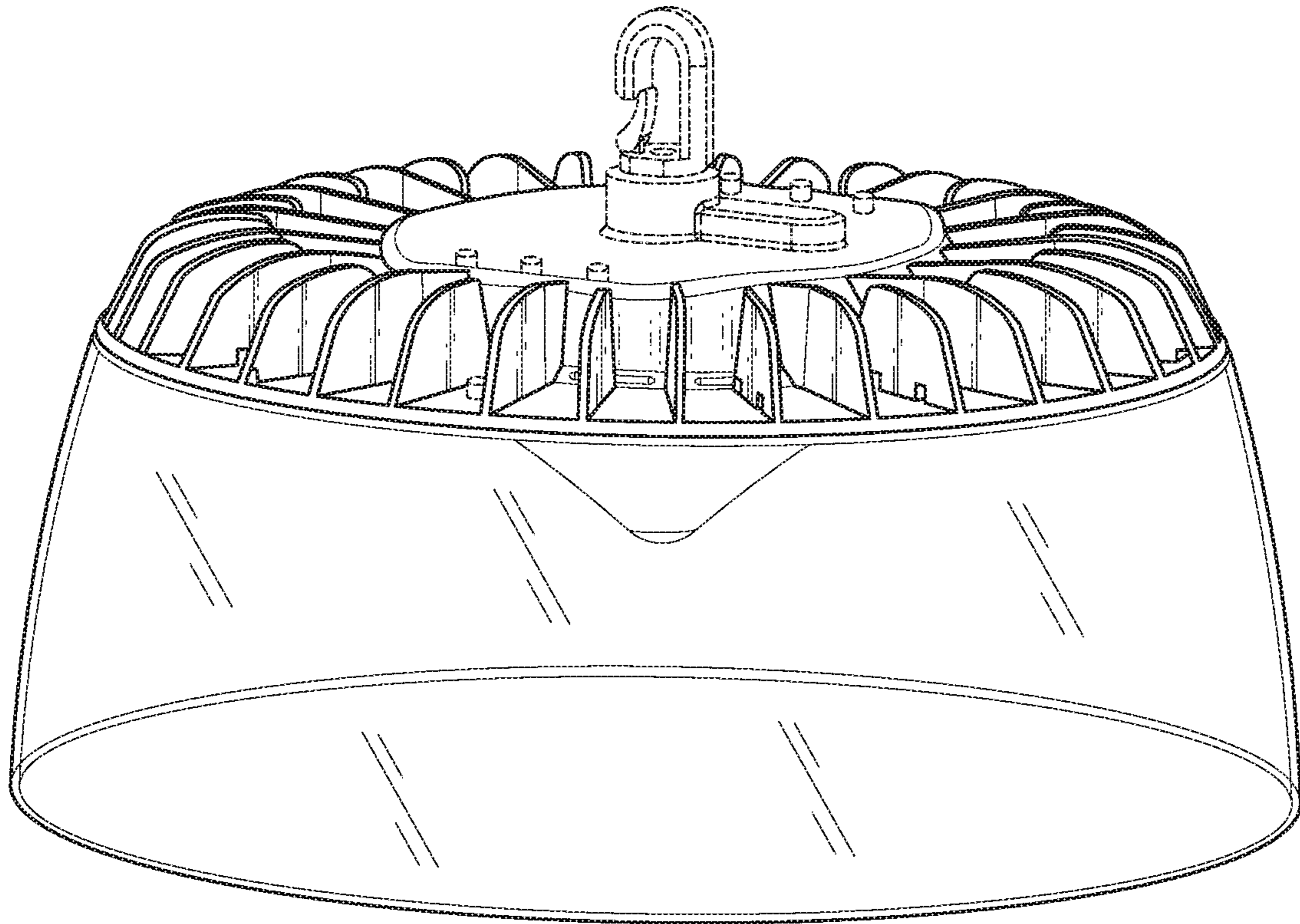


FIG. 2

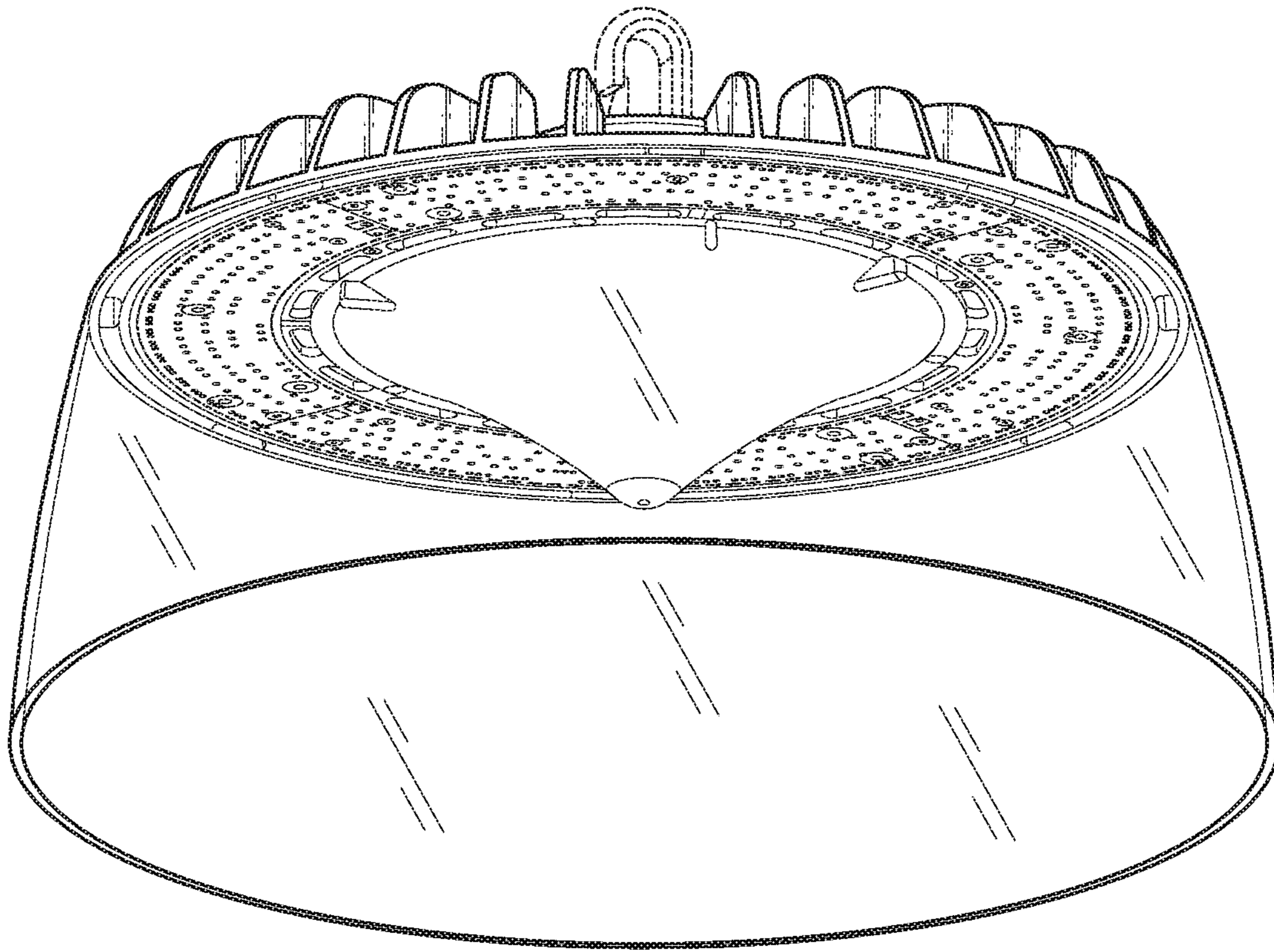


FIG. 3

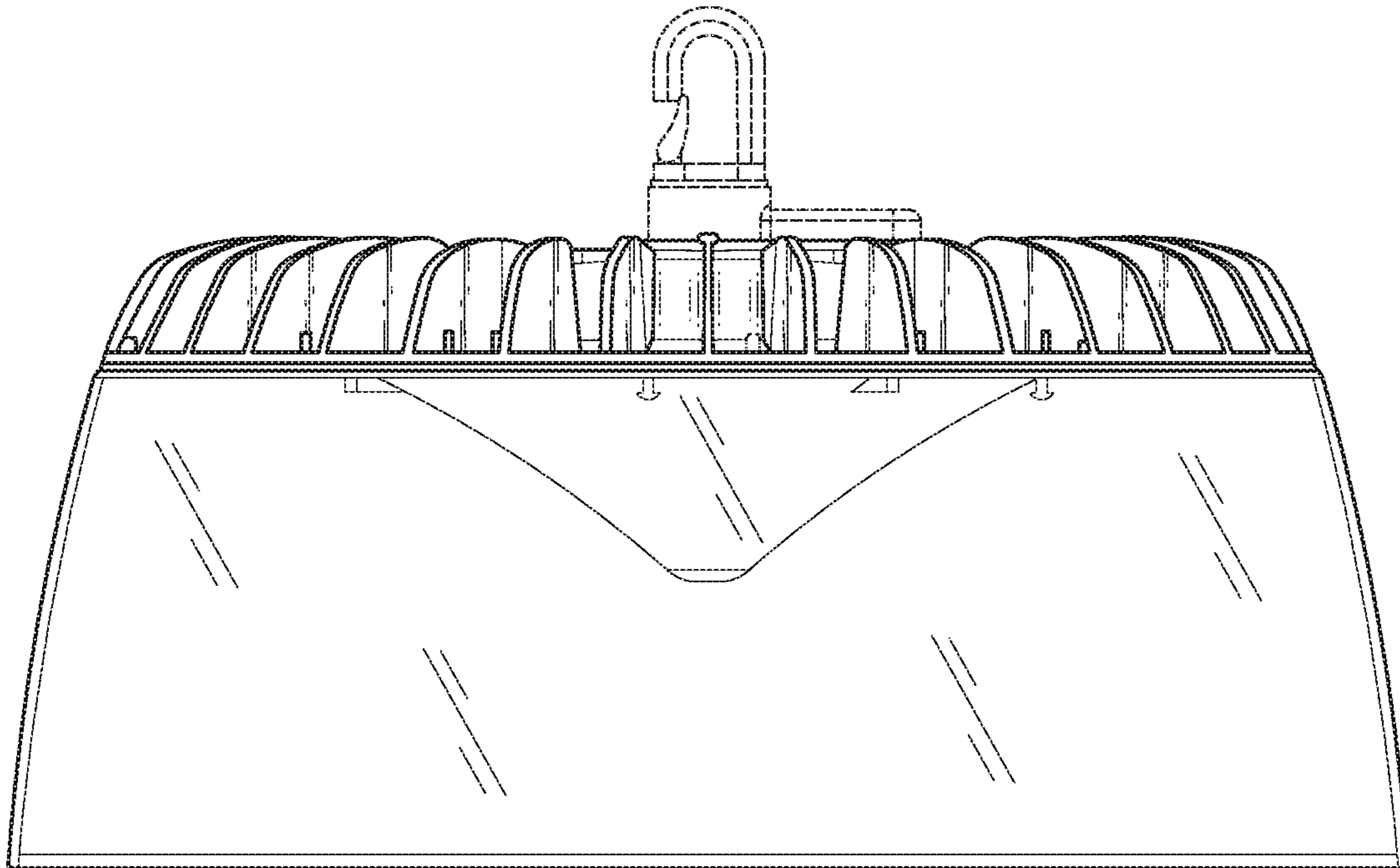


FIG. 4

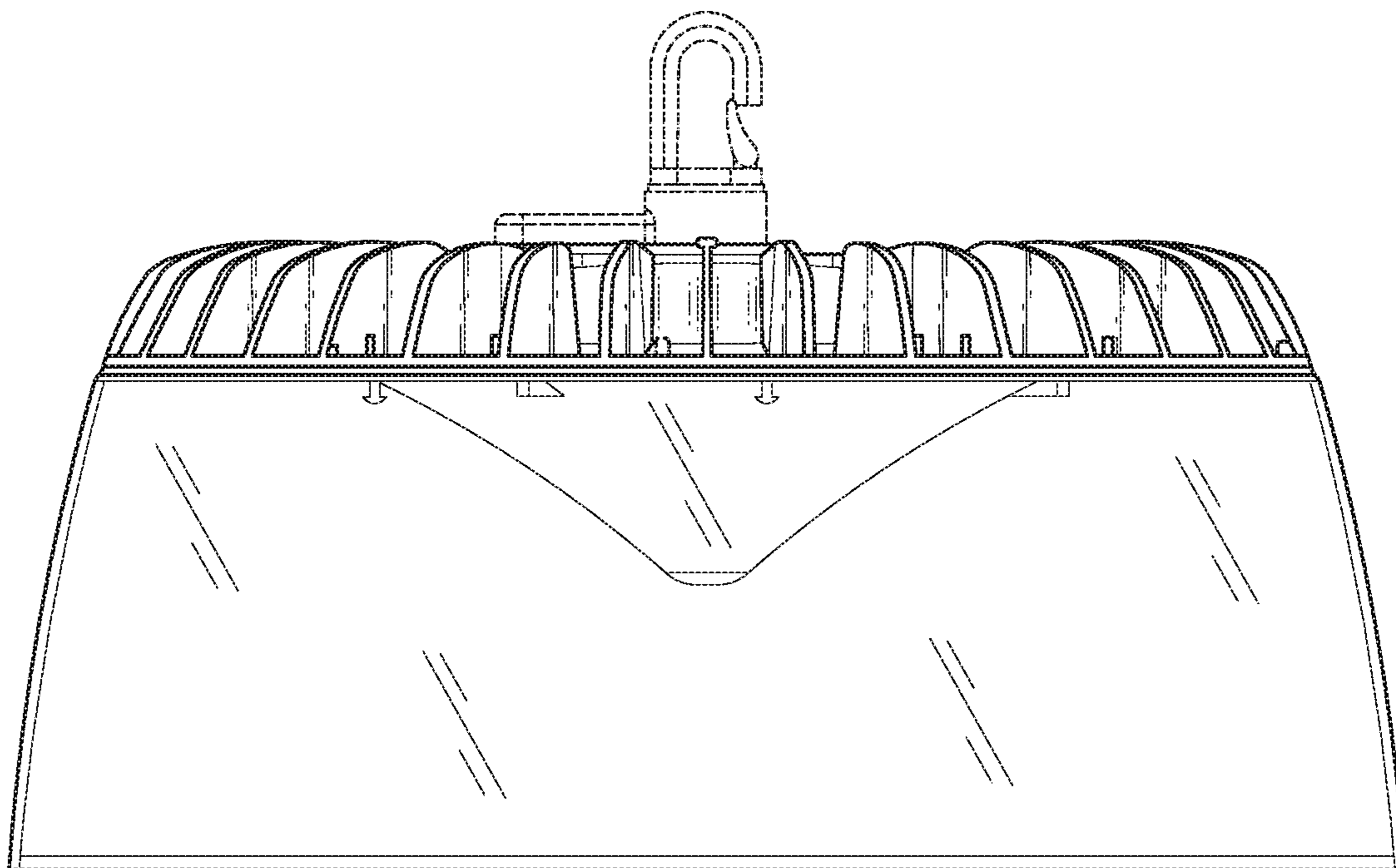


FIG. 5

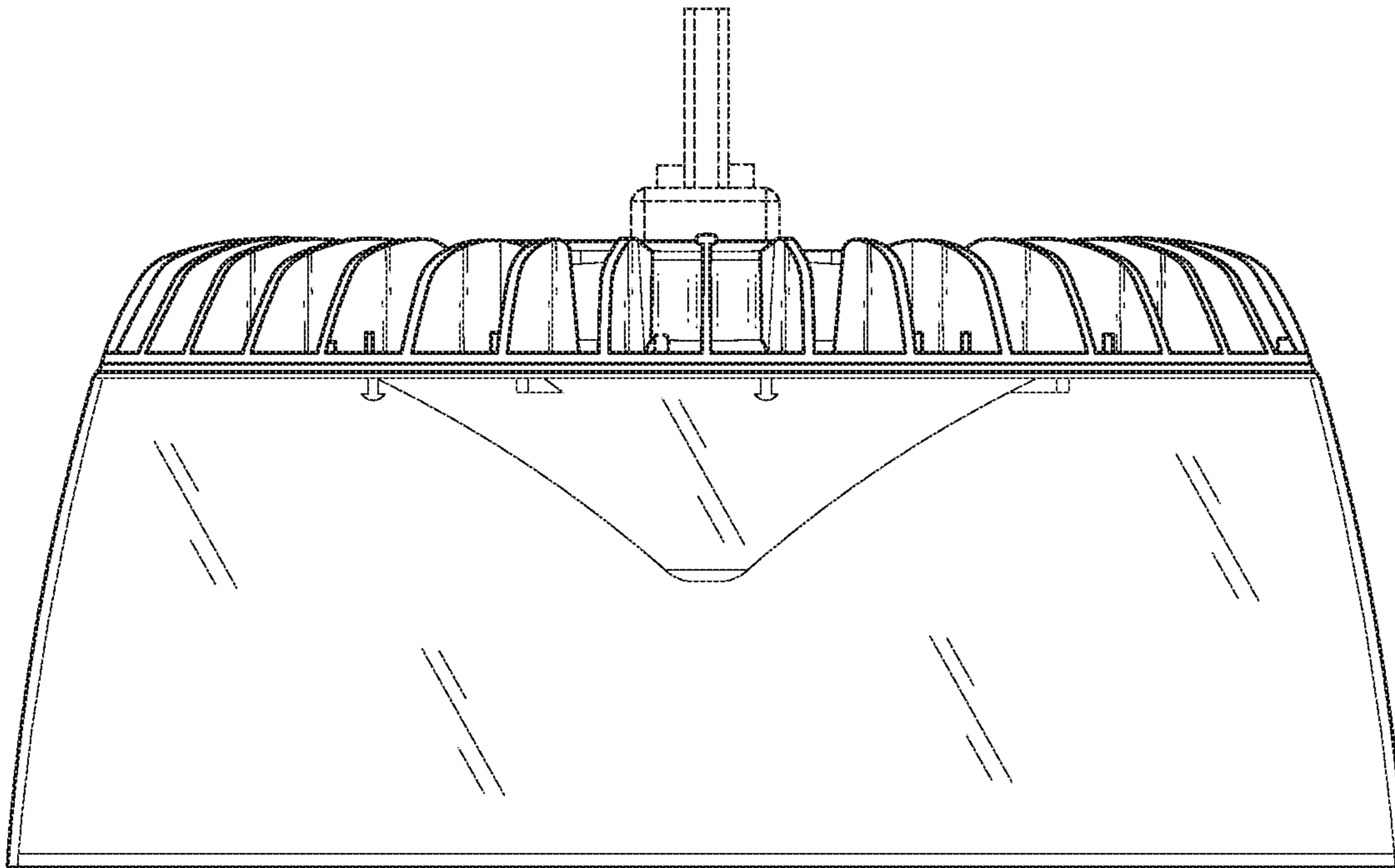


FIG. 6

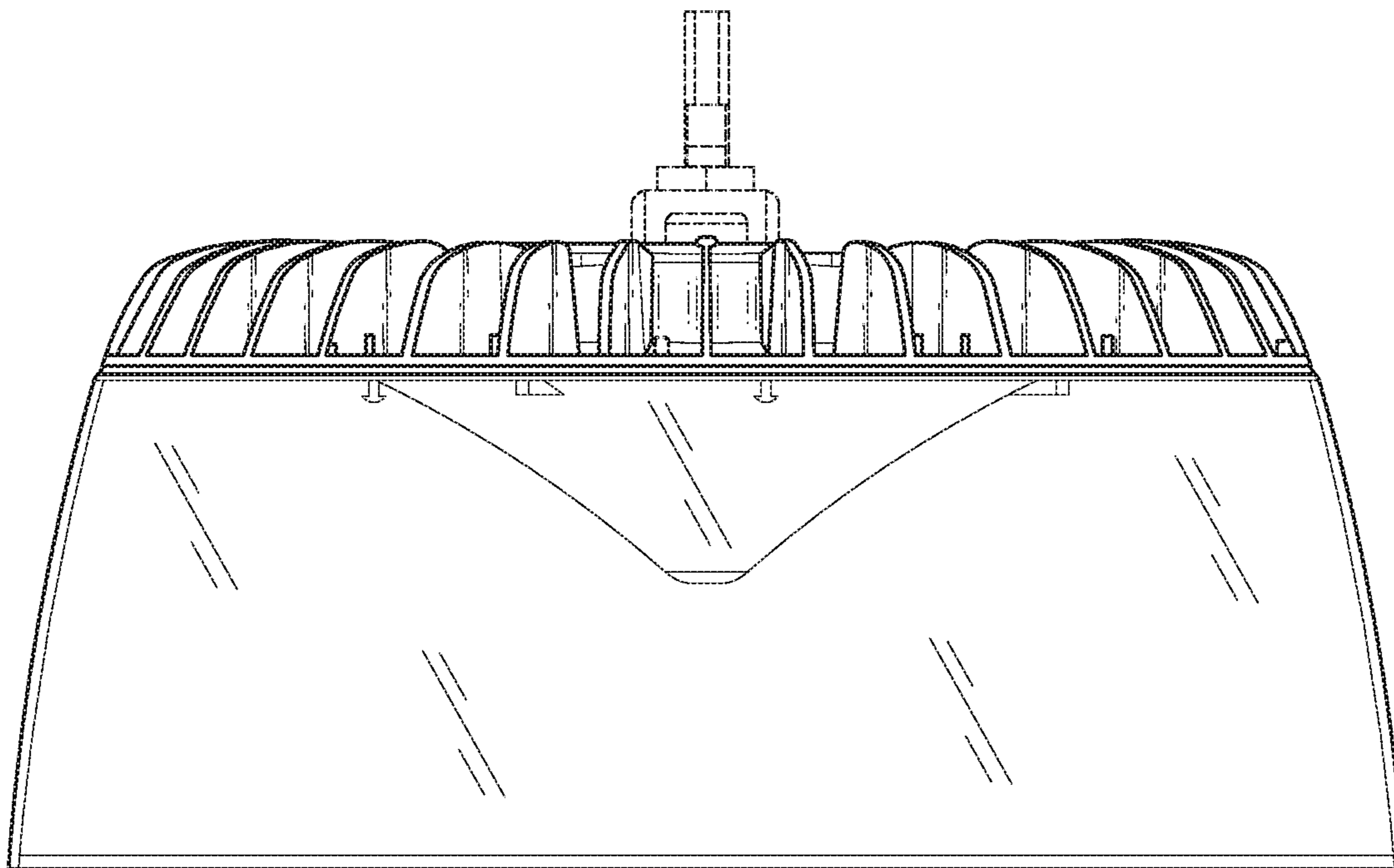


FIG. 7

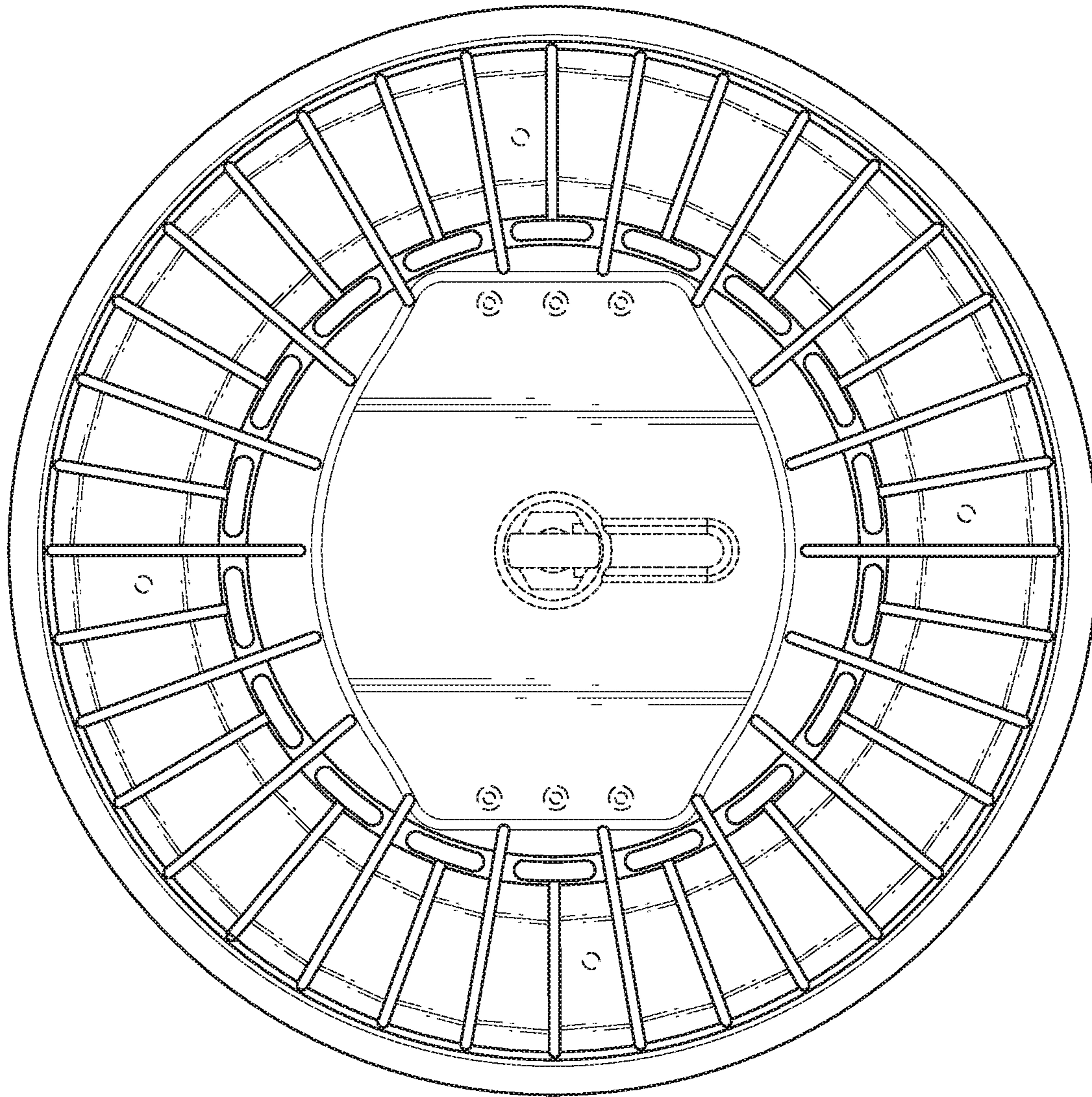


FIG. 8