

US00D907839S

(12) **United States Design Patent**  
**Kujawa et al.**

(10) **Patent No.:** **US D907,839 S**  
(45) **Date of Patent:** **\*\* Jan. 12, 2021**

(54) **LIGHTING DEVICE**  
(71) Applicant: **Lumitec, LLC**, Delray Beach, FL (US)  
(72) Inventors: **John Alexander Kujawa**, Delray Beach, FL (US); **Michael Albion Kestner**, Boynton Beach, FL (US)

9,388,973 B1 \* 7/2016 Olsson ..... F21V 15/04  
D794,860 S \* 8/2017 Khubani ..... D26/68  
D804,083 S \* 11/2017 Lentine ..... D26/118  
10,066,828 B2 \* 9/2018 Olsson ..... F21V 31/005  
10,352,550 B1 \* 7/2019 Olsson ..... F21V 29/70  
D873,464 S \* 1/2020 Tsukii ..... D26/65  
D873,465 S \* 1/2020 Tsukii ..... D26/65  
2017/0006204 A1 \* 1/2017 Chien ..... F21S 4/28

(73) Assignee: **Lumitec, LLC**, Delray Beach, FL (US)

\* cited by examiner

(\*\*) Term: **15 Years**

*Primary Examiner* — Wan Laymon

(21) Appl. No.: **29/665,313**

*Assistant Examiner* — Clint A Samuel

(22) Filed: **Oct. 2, 2018**

(74) *Attorney, Agent, or Firm* — Calfee, Halter &

(51) **LOC (13) Cl.** ..... **26-05**

Griswold LLP

(52) **U.S. Cl.**  
USPC ..... **D26/118**

(57) **CLAIM**

(58) **Field of Classification Search**  
USPC ... D26/1, 24, 28, 36, 61, 63, 65, 73, 74, 83,  
D26/92, 113, 118, 120, 139; D10/104.1,  
D10/114.2, 114.3; D12/192, 400  
CPC ..... F21V 21/10; F21V 21/14; F21V 21/28;  
F21V 21/30; F21V 21/116; F21V 15/00;  
F21V 15/01; F21V 29/70; F21V 29/503;  
F21S 8/02; F21S 8/043; F21S 8/036;  
F21S 8/088; F21S 41/19; F21S 41/141;  
F21S 41/192; F21S 41/194; F21S 48/10;  
F21S 48/225; F21S 48/1233; F21S  
48/1266; F21S 48/2268; F21W 2131/10;  
F21W 2131/20; F21W 2131/107  
See application file for complete search history.

The ornamental design for a lighting device, as shown and described.

**DESCRIPTION**

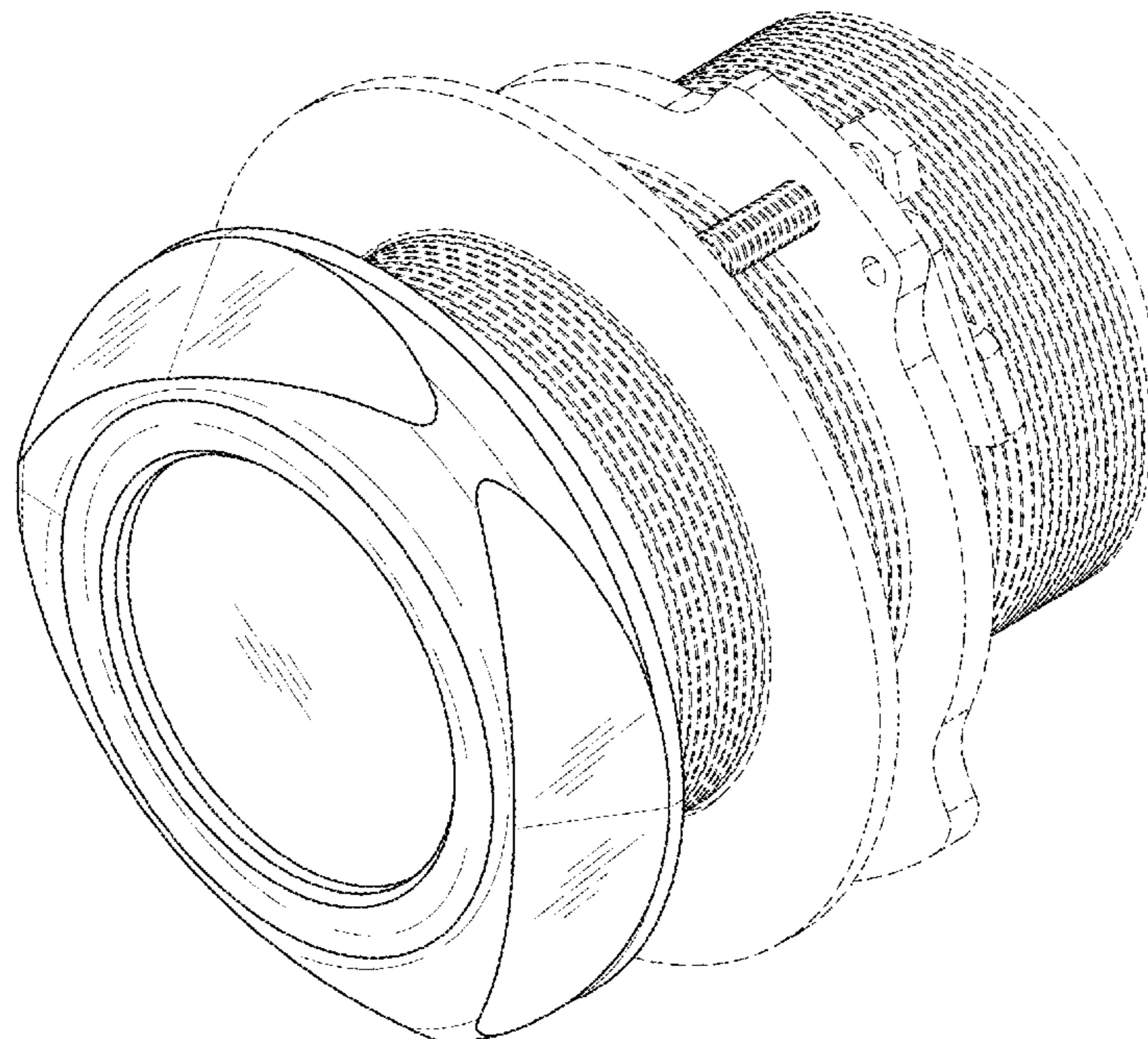
(56) **References Cited**

U.S. PATENT DOCUMENTS

D402,773 S \* 12/1998 Lo ..... D26/24  
8,616,725 B2 \* 12/2013 Olsson ..... F21V 23/006  
362/249.02

FIG. 1 is a perspective view of a lighting device;  
FIG. 2 is a front view of the lighting device of FIG. 1;  
FIG. 3 is a rear view of the lighting device of FIG. 1;  
FIG. 4 is a right side view of the lighting device of FIG. 1;  
FIG. 5 is a left side view of the lighting device of FIG. 1;  
FIG. 6 is a top view of the lighting device of FIG. 1; and,  
FIG. 7 is a bottom view of the lighting device of FIG. 1.  
Features shown in broken lines illustrate a portion of the lighting device that forms no part of the claimed design. Further, no lines, shading or other effects are meant to be indicative of any specified colors.

**1 Claim, 7 Drawing Sheets**



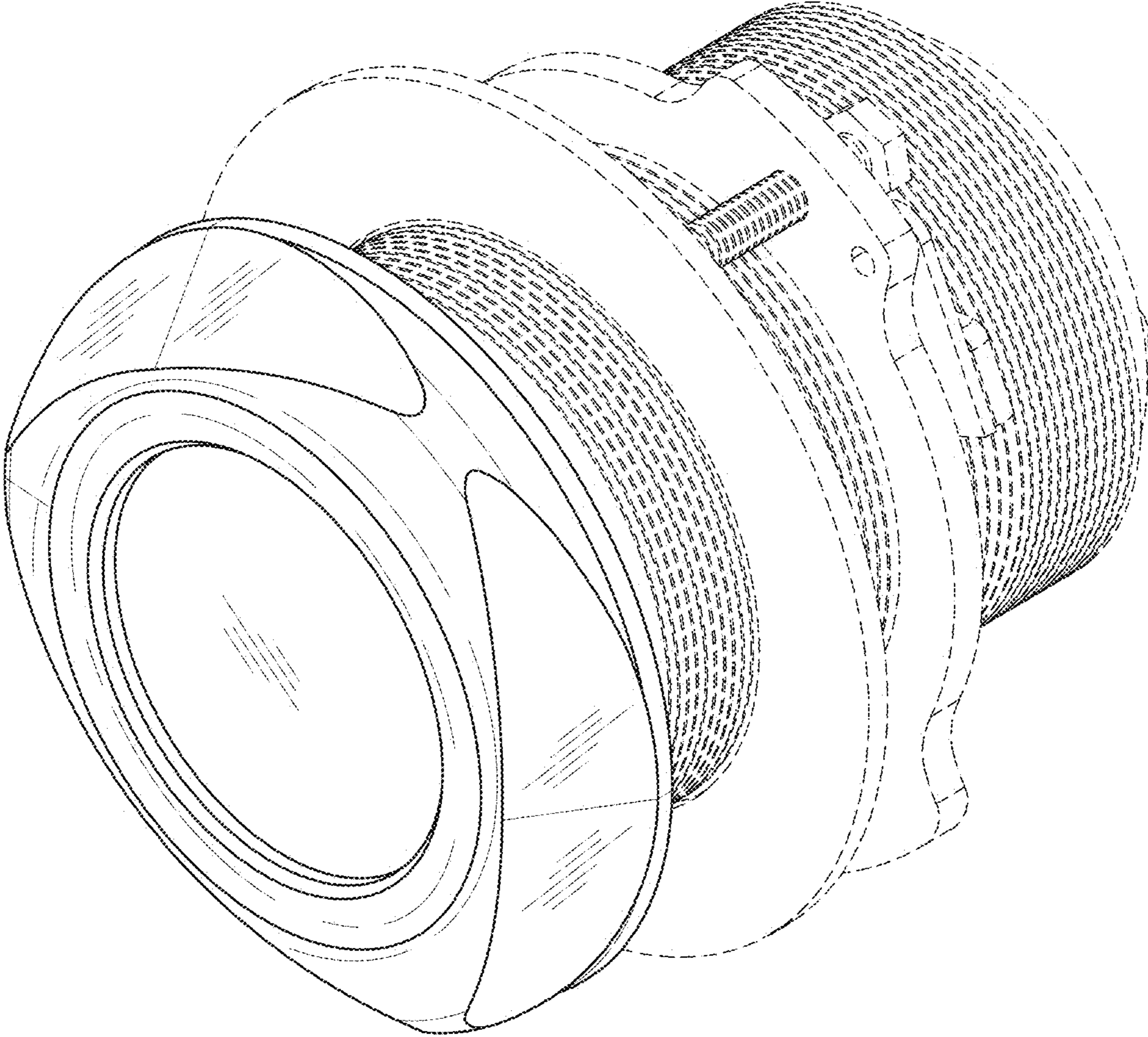


FIG. 1

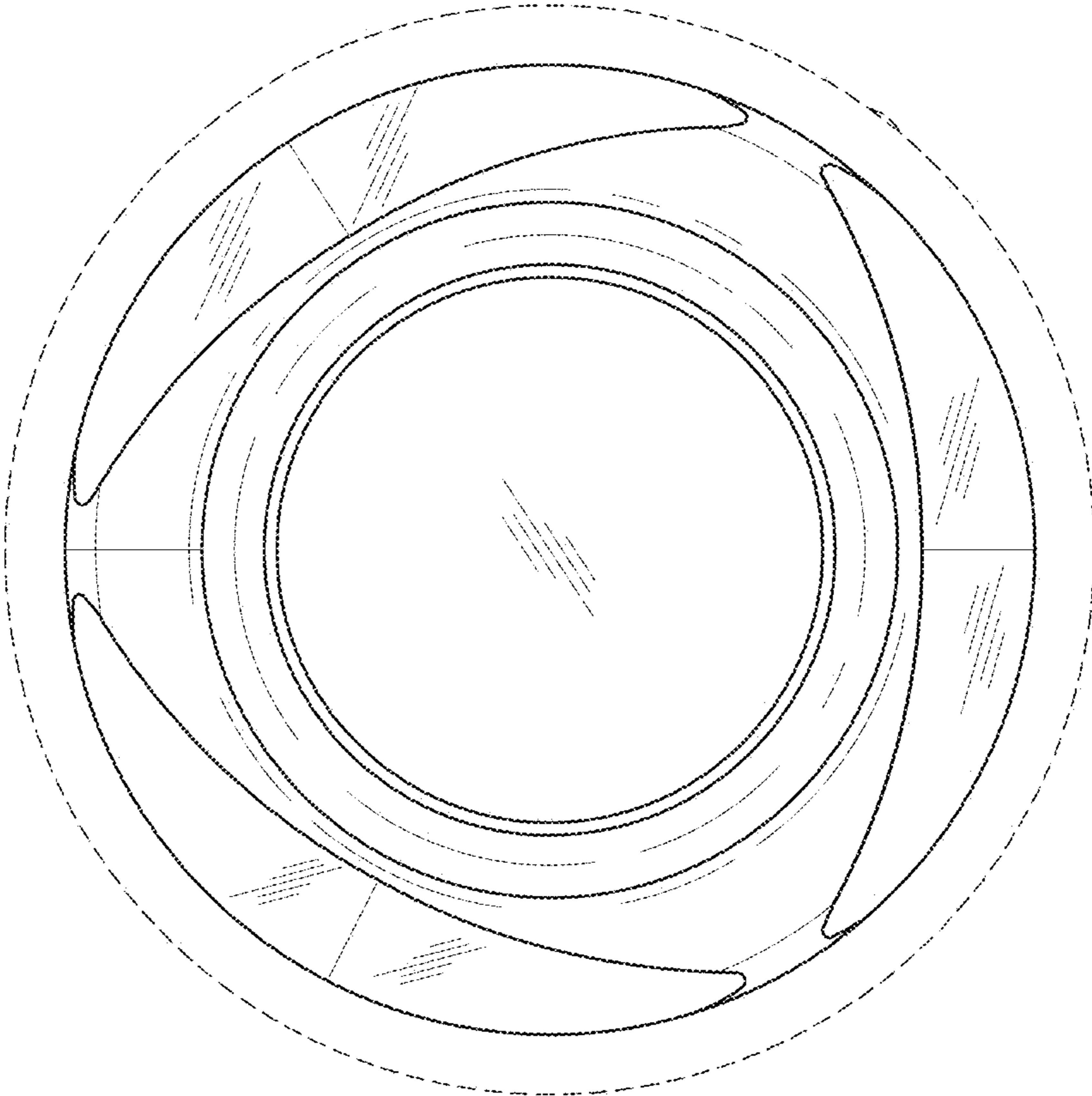


FIG. 2



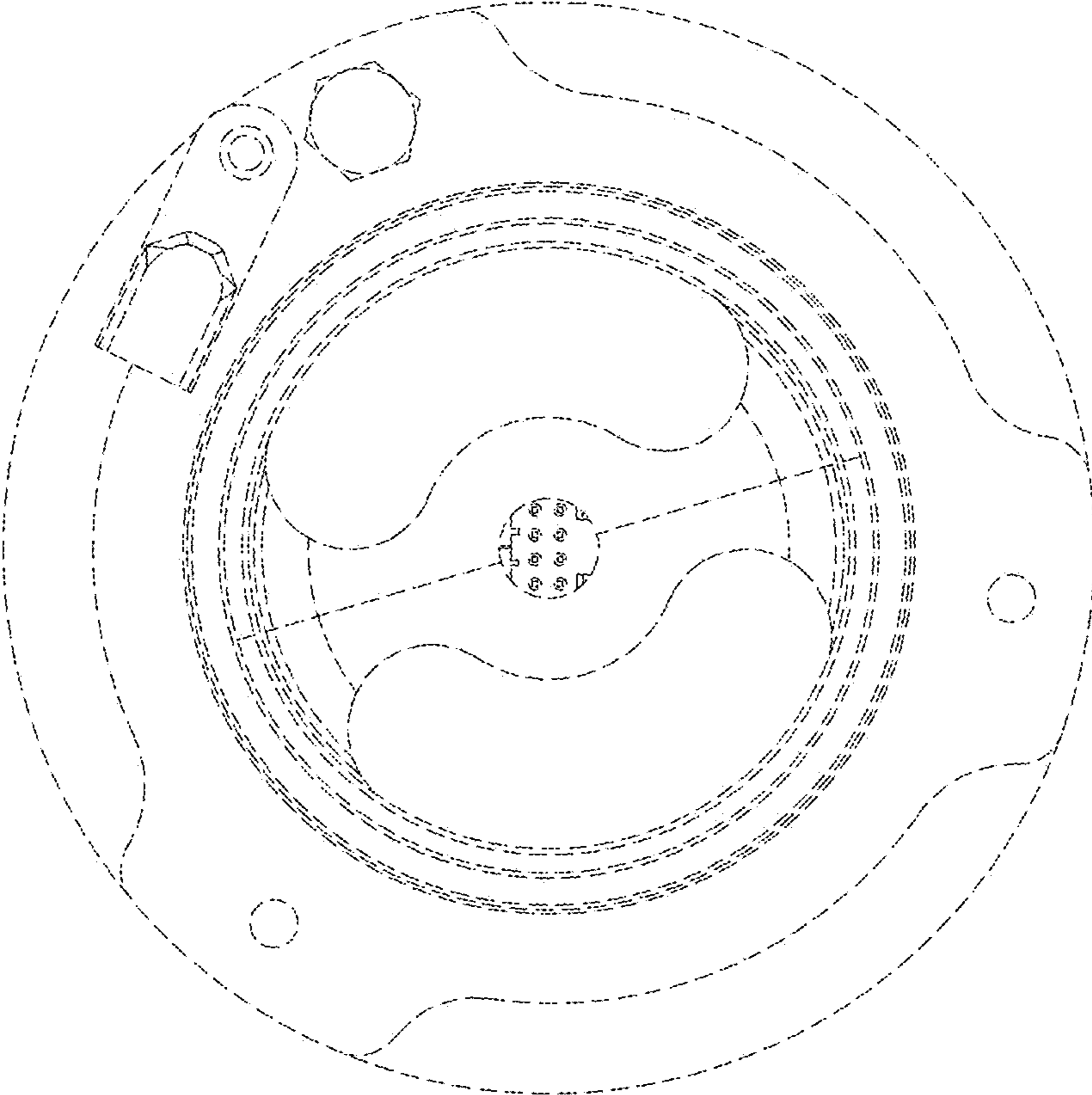


FIG. 3

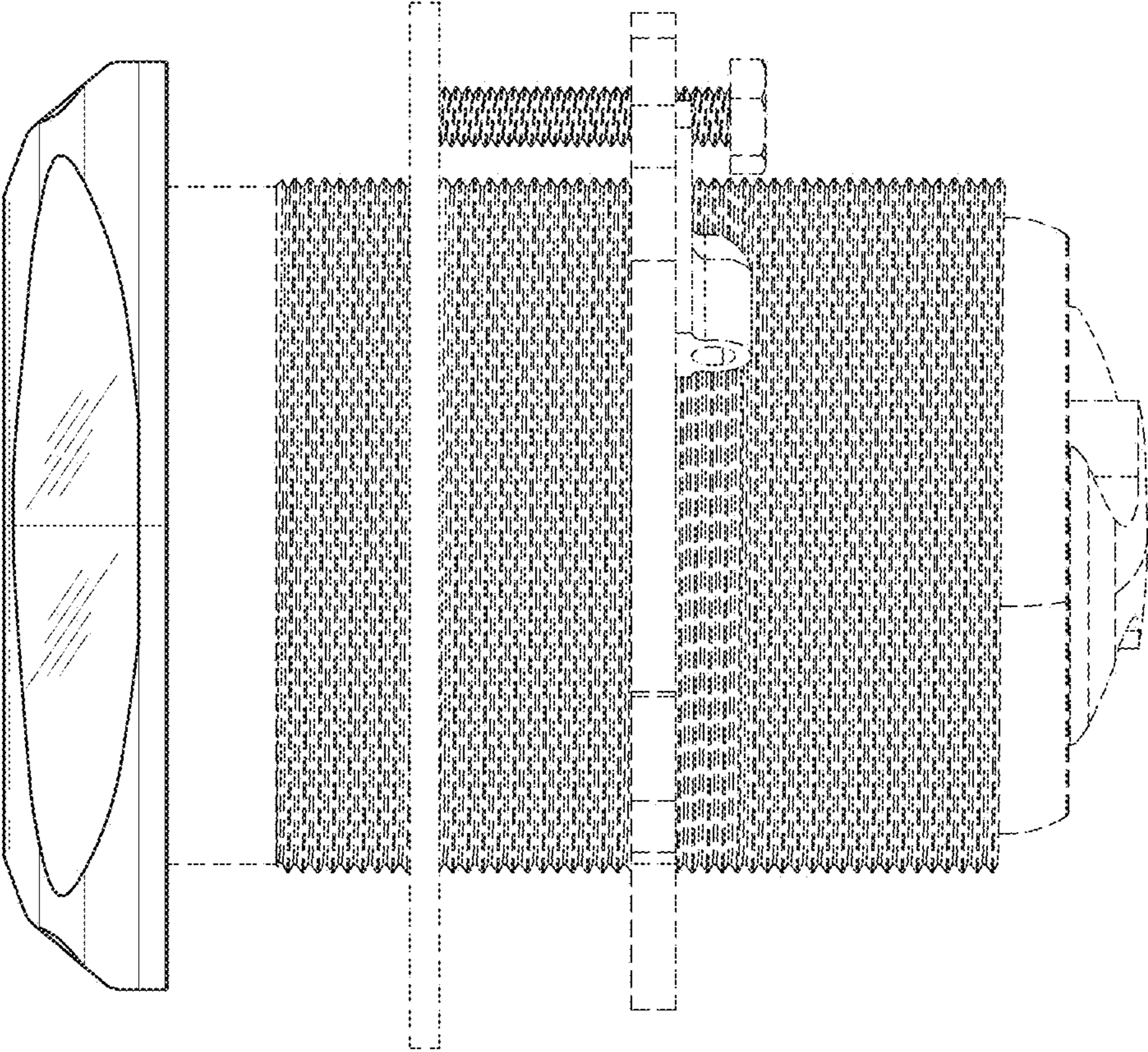


FIG. 4

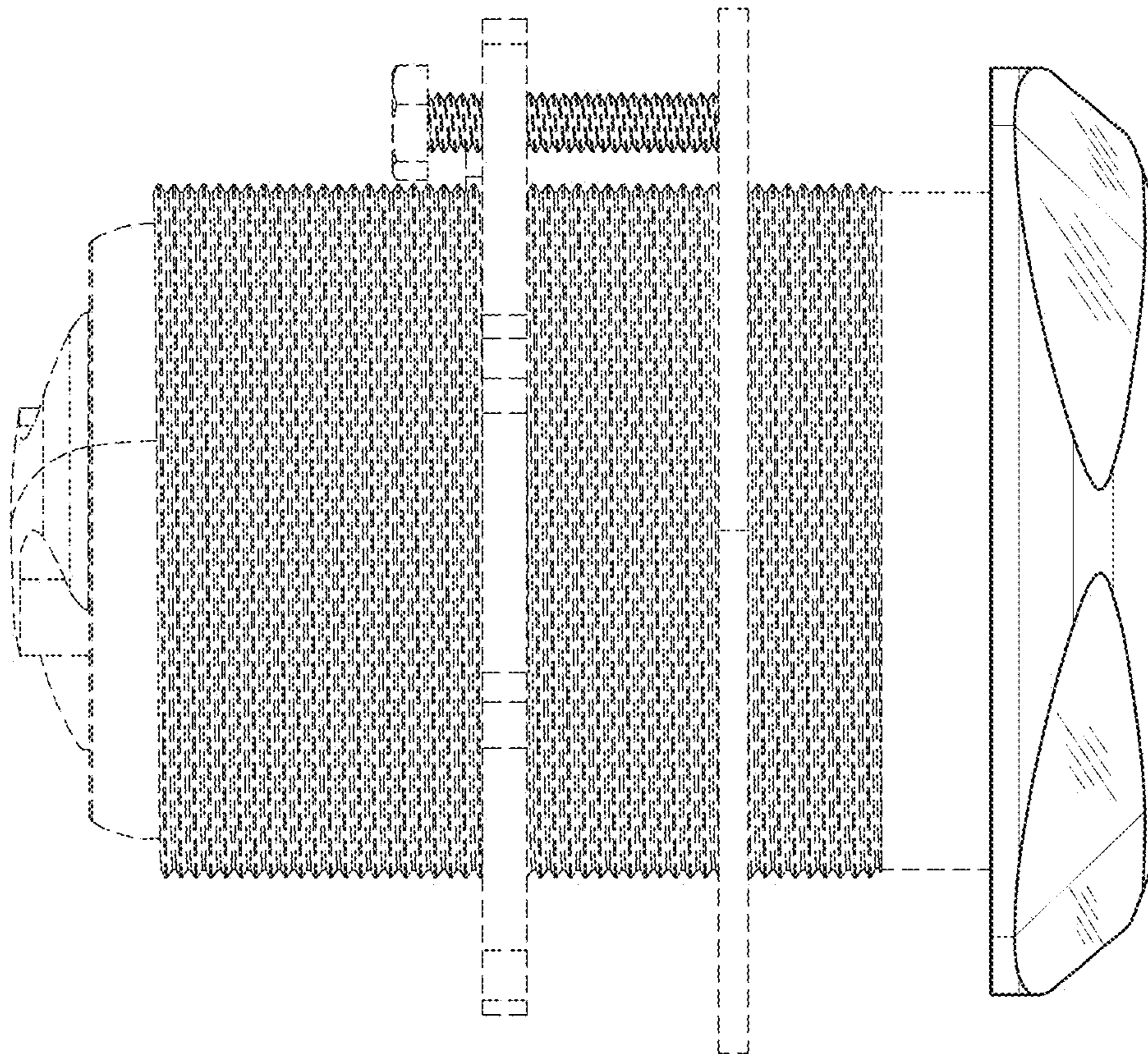


FIG. 5



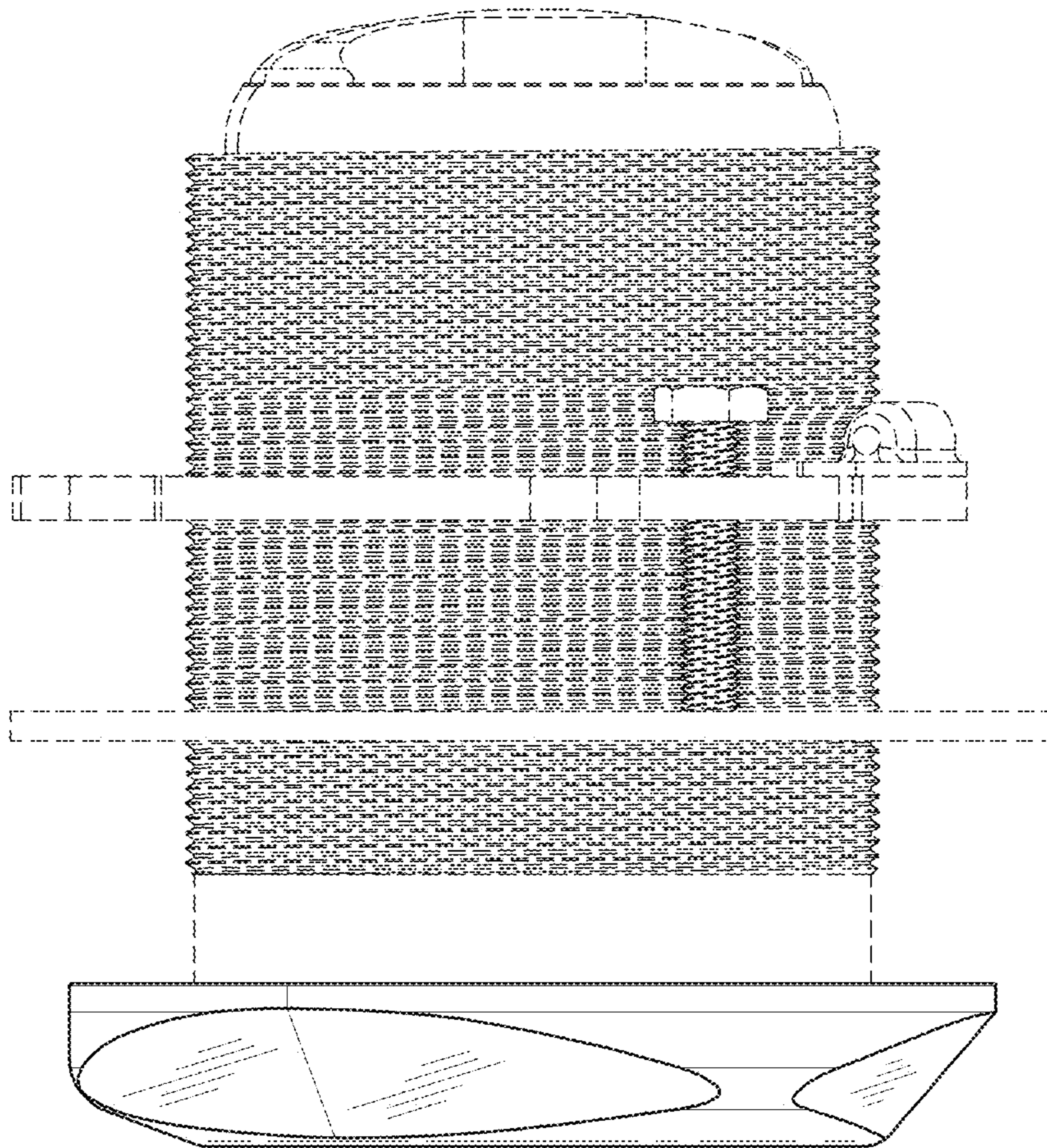


FIG. 6

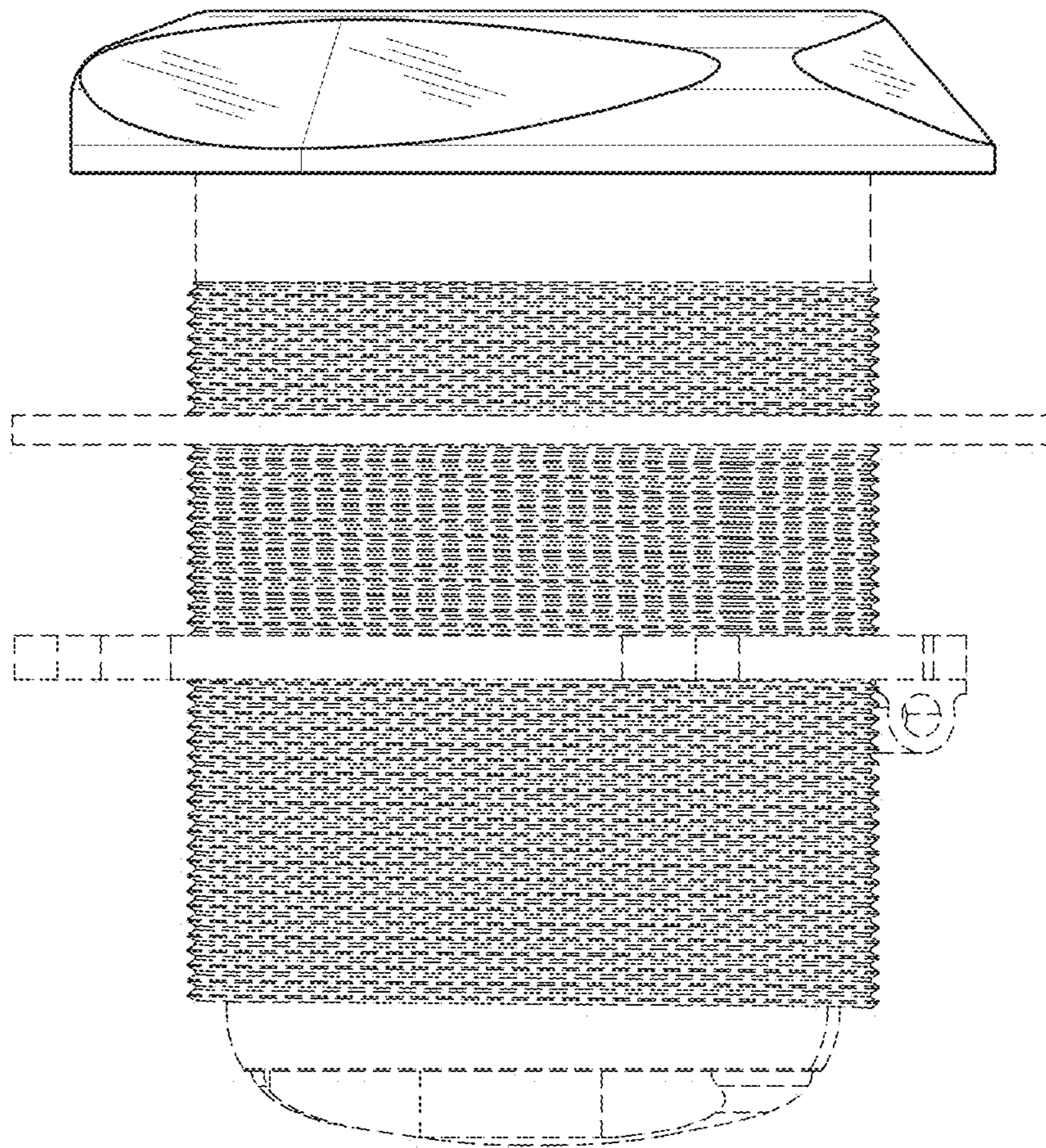


FIG. 7