



US00D907838S

(12) **United States Design Patent** (10) **Patent No.:** **US D907,838 S**
Hood (45) **Date of Patent:** **** Jan. 12, 2021**

(54) **LAMP**
(71) Applicant: **Spring (U.S.A.) Corporation,**
Naperville, IL (US)
(72) Inventor: **Lauren Hood,** Oswego, IL (US)
(73) Assignee: **Spring (U.S.A.) Corporation,**
Naperville, IL (US)
(**) Term: **15 Years**

D623,333 S 9/2010 Huang
D623,334 S 9/2010 Huang
D635,707 S 4/2011 Ng et al.
D651,734 S 1/2012 Li
D654,199 S 2/2012 Xie
D655,140 S 3/2012 Saunders et al.
D681,865 S * 5/2013 Lee D26/107
D690,861 S 10/2013 Huang
8,723,086 B2 5/2014 McMahan
8,761,588 B2 6/2014 Lee
8,764,219 B2 7/2014 Hasan et al.
8,948,579 B2 2/2015 Lee
D744,693 S * 12/2015 Kitts D26/107
D759,289 S * 6/2016 Newhouse D26/107
D776,319 S 1/2017 Sato

(21) Appl. No.: **29/718,142**

(22) Filed: **Dec. 20, 2019**

(51) **LOC (13) Cl.** **26-03**

(52) **U.S. Cl.**
USPC **D26/107**

(58) **Field of Classification Search**
USPC D26/93, 106, 107, 108
CPC . F21S 6/002; F21V 1/00; F21V 21/02; F21W
2131/30

See application file for complete search history.

(56) **References Cited**

U.S. PATENT DOCUMENTS

4,977,489 A * 12/1990 Fung F21S 6/003
362/184
6,031,208 A 2/2000 Witt et al.
RE36,724 E 6/2000 Westerberg et al.
6,261,621 B1 7/2001 Stanger et al.
D484,998 S 1/2004 Cvek
6,814,473 B2 11/2004 Chen
D499,828 S 12/2004 Martin et al.
D517,713 S 3/2006 Waldmann
D528,691 S 9/2006 Waldmann
D582,087 S * 12/2008 Su D26/63
D600,844 S 9/2009 Thomson et al.
D619,746 S 7/2010 Huang
D620,165 S 7/2010 Huang
D623,332 S 9/2010 Huang

(Continued)

OTHER PUBLICATIONS

U.S. Appl. No. 16/699,393, filed Nov. 27, 2019, Lauren Hood.

Primary Examiner — Brian N. Vinson

(74) *Attorney, Agent, or Firm* — Banner & Witcoff, Ltd.

(57) **CLAIM**

The ornamental design for a lamp, as shown and described.

DESCRIPTION

FIG. 1 is a top, front, left perspective view;

FIG. 2 is a front view thereof;

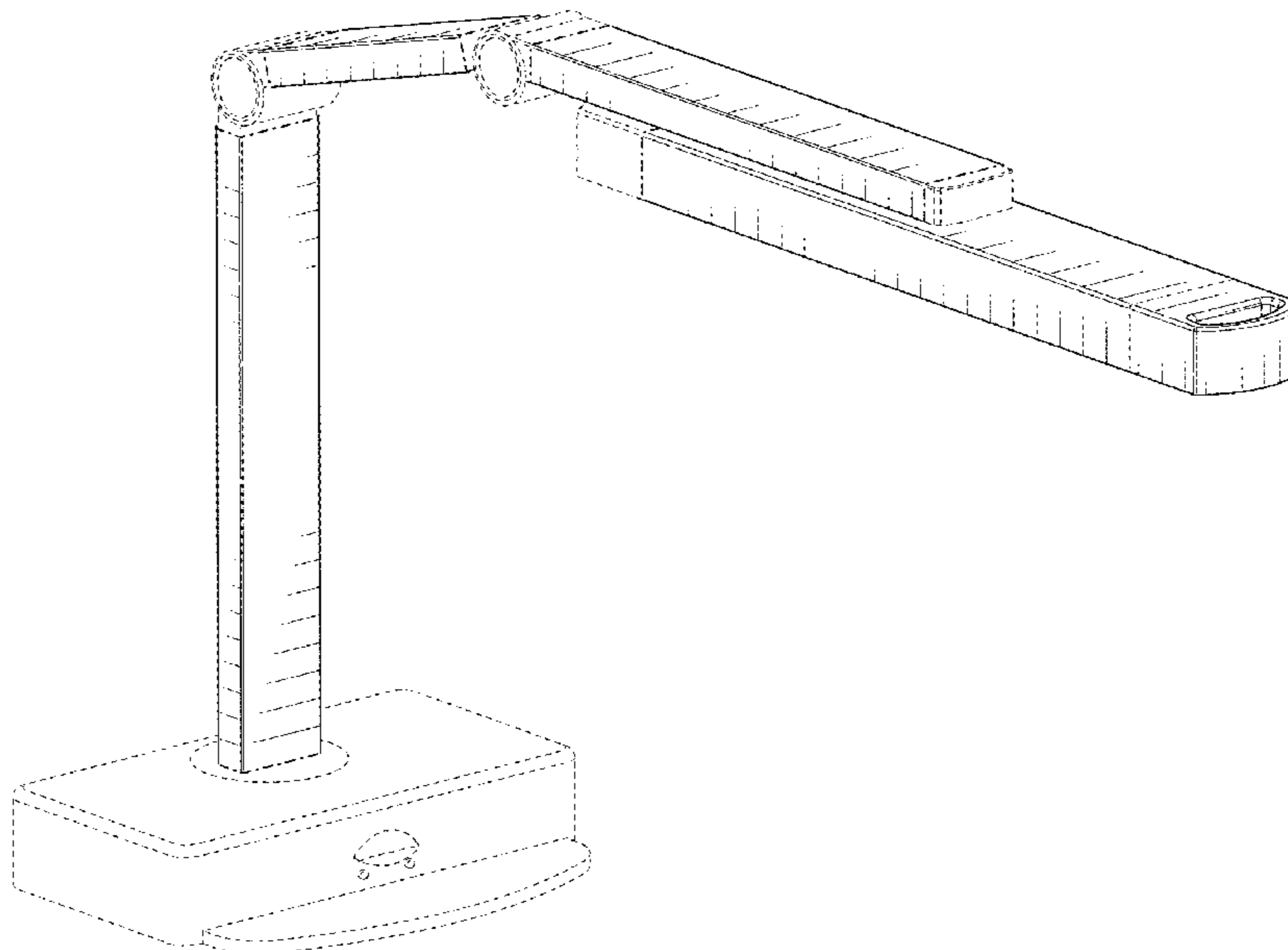
FIG. 3 is a rear view thereof;

FIG. 4 is a right side view thereof; and,

FIG. 5 is a left side view thereof.

The even length broken lines within the shaded area represent an unclaimed feature. The uneven length broken lines immediately adjacent to the shaded area are imaginary lines showing boundaries of the claim that form no part of the claimed design. The even length broken lines depicting the remainder of the lamp represent environmental features and form no part of the claimed design.

1 Claim, 4 Drawing Sheets



(56)

References Cited

U.S. PATENT DOCUMENTS

D835,330	S	*	12/2018	Richardson	D26/107
D889,023	S	*	6/2020	Sun	D26/107
2008/0285273	A1		11/2008	Liu et al.		
2008/0291673	A1		11/2008	Chen et al.		
2010/0039792	A1		2/2010	Meyers et al.		
2010/0271817	A1		10/2010	Chung et al.		
2010/0315801	A1		12/2010	Wu et al.		
2012/0212941	A1		8/2012	Reschreiter		
2014/0003069	A1		1/2014	Polick et al.		
2014/0254135	A1		9/2014	Nolan et al.		
2017/0055754	A1		3/2017	Lee et al.		
2017/0223775	A1		8/2017	Scanlon		

* cited by examiner

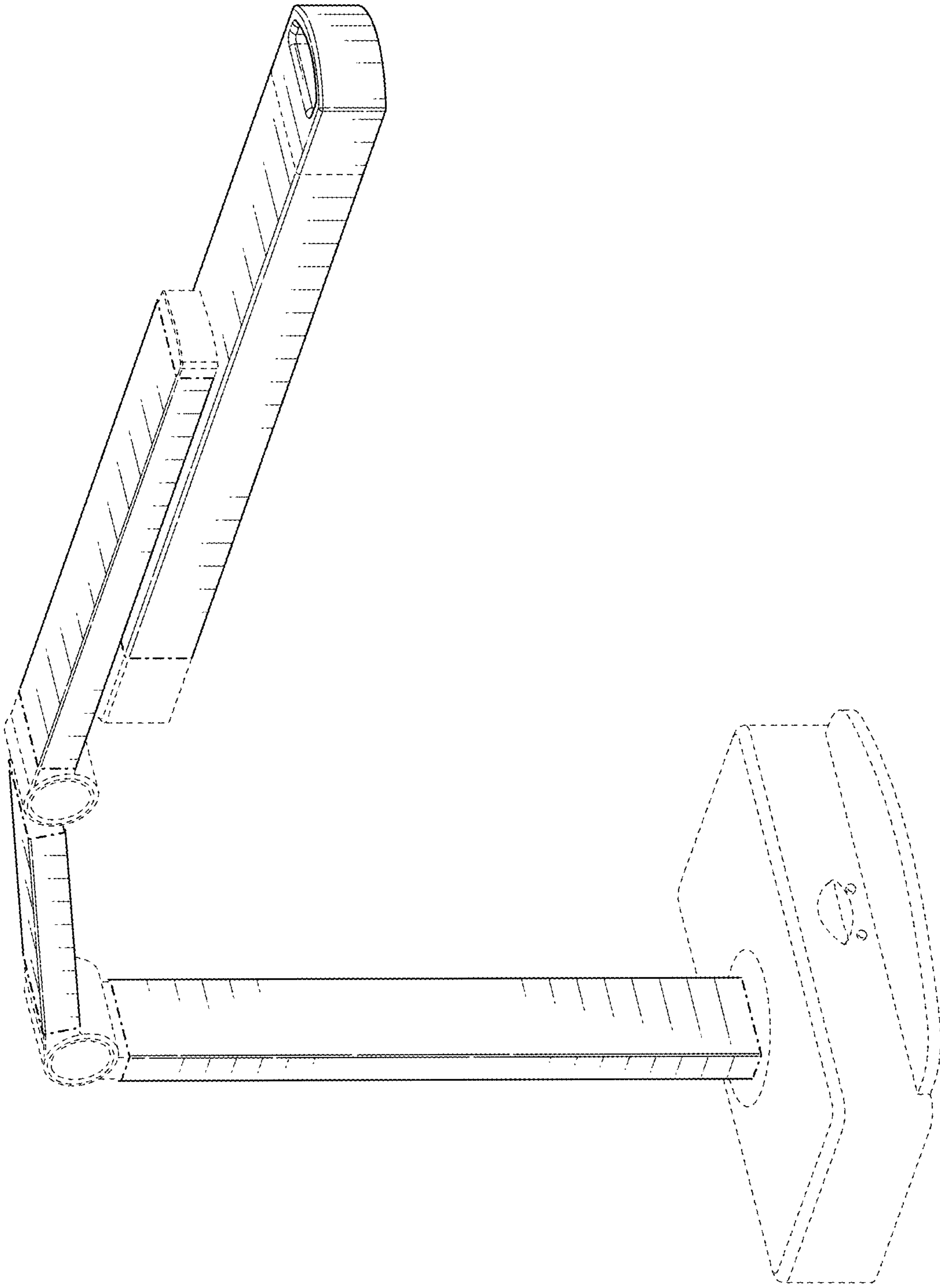


FIG. 1

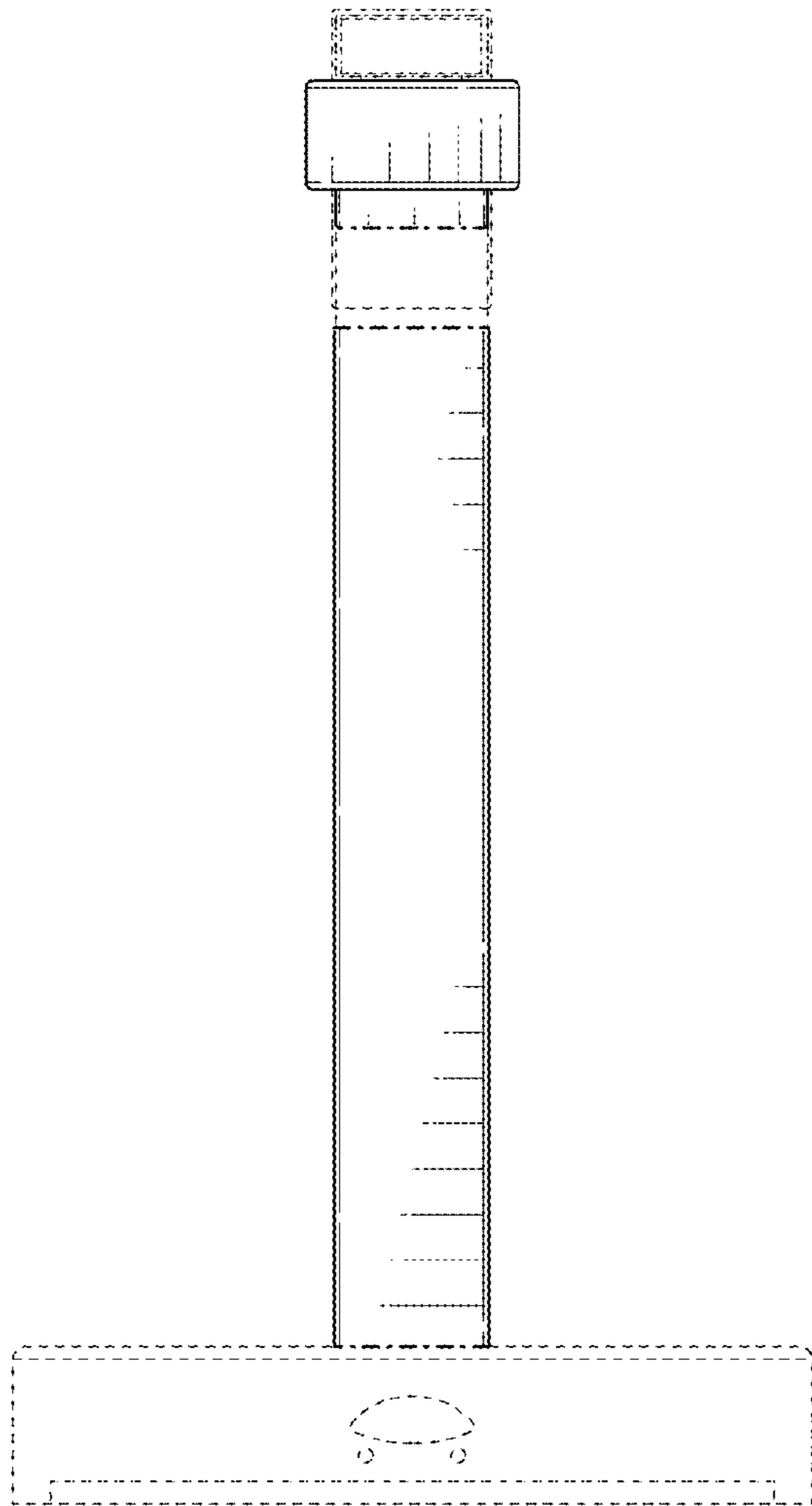


FIG. 2

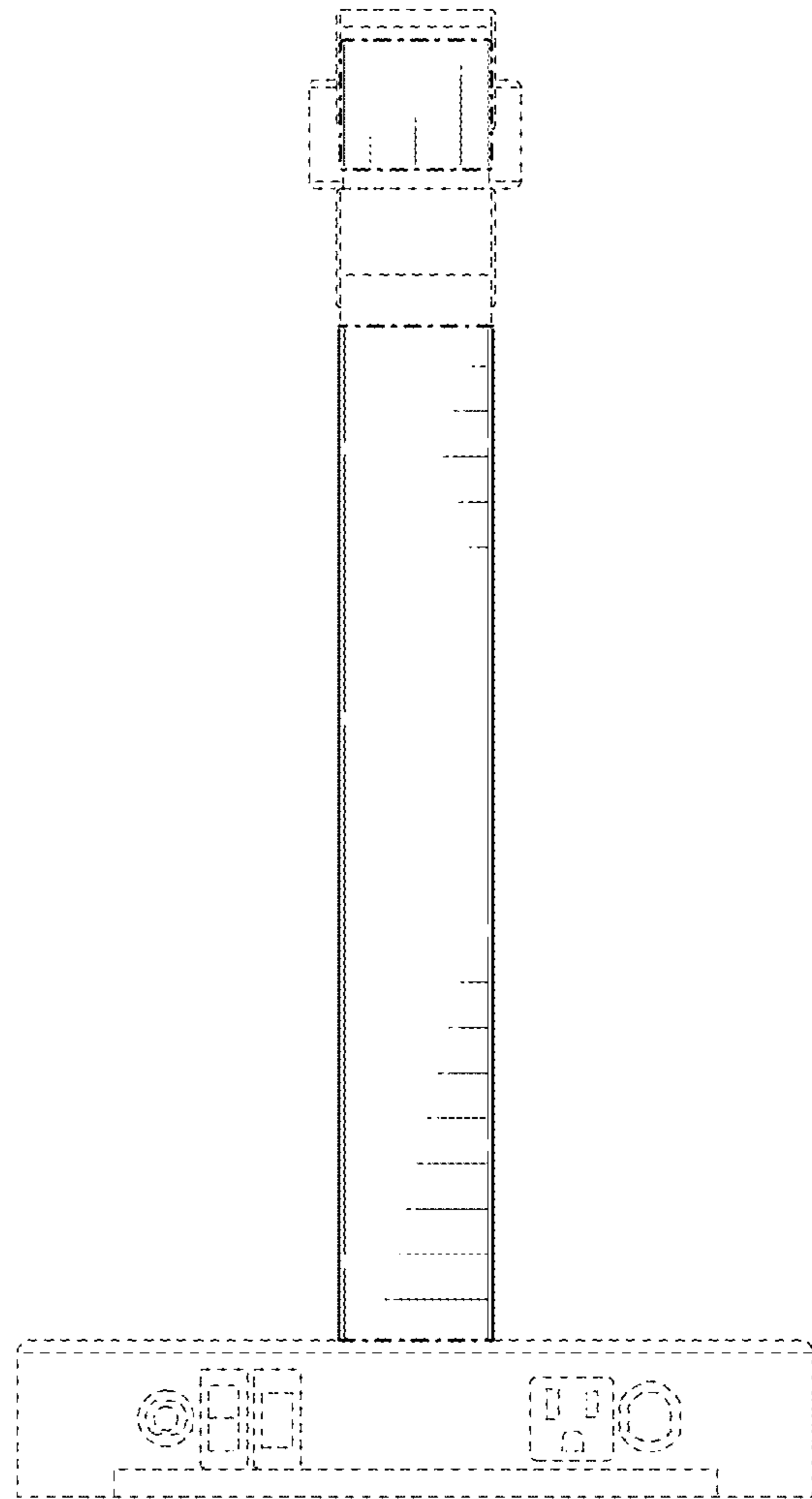


FIG. 3

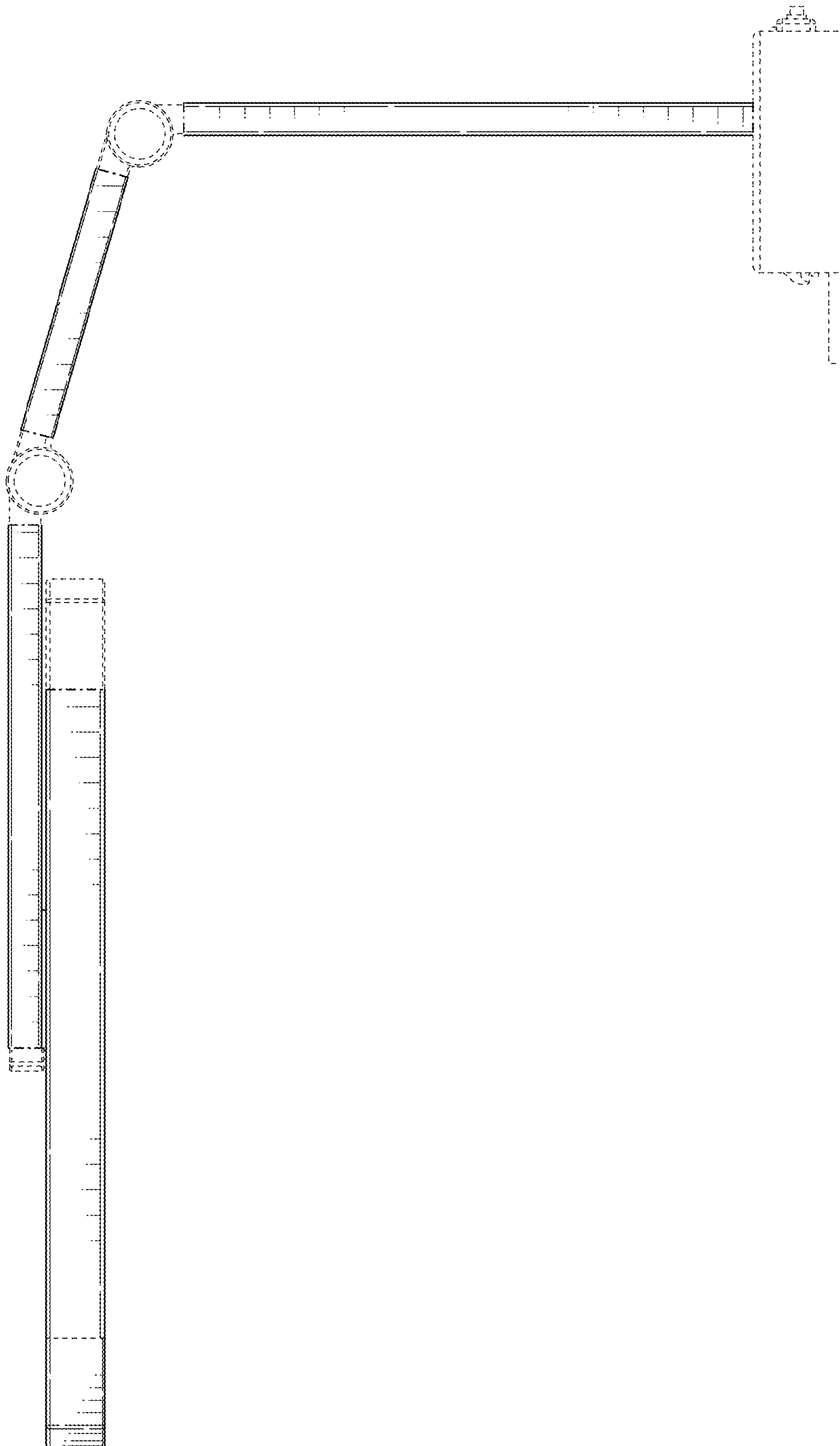


FIG. 4

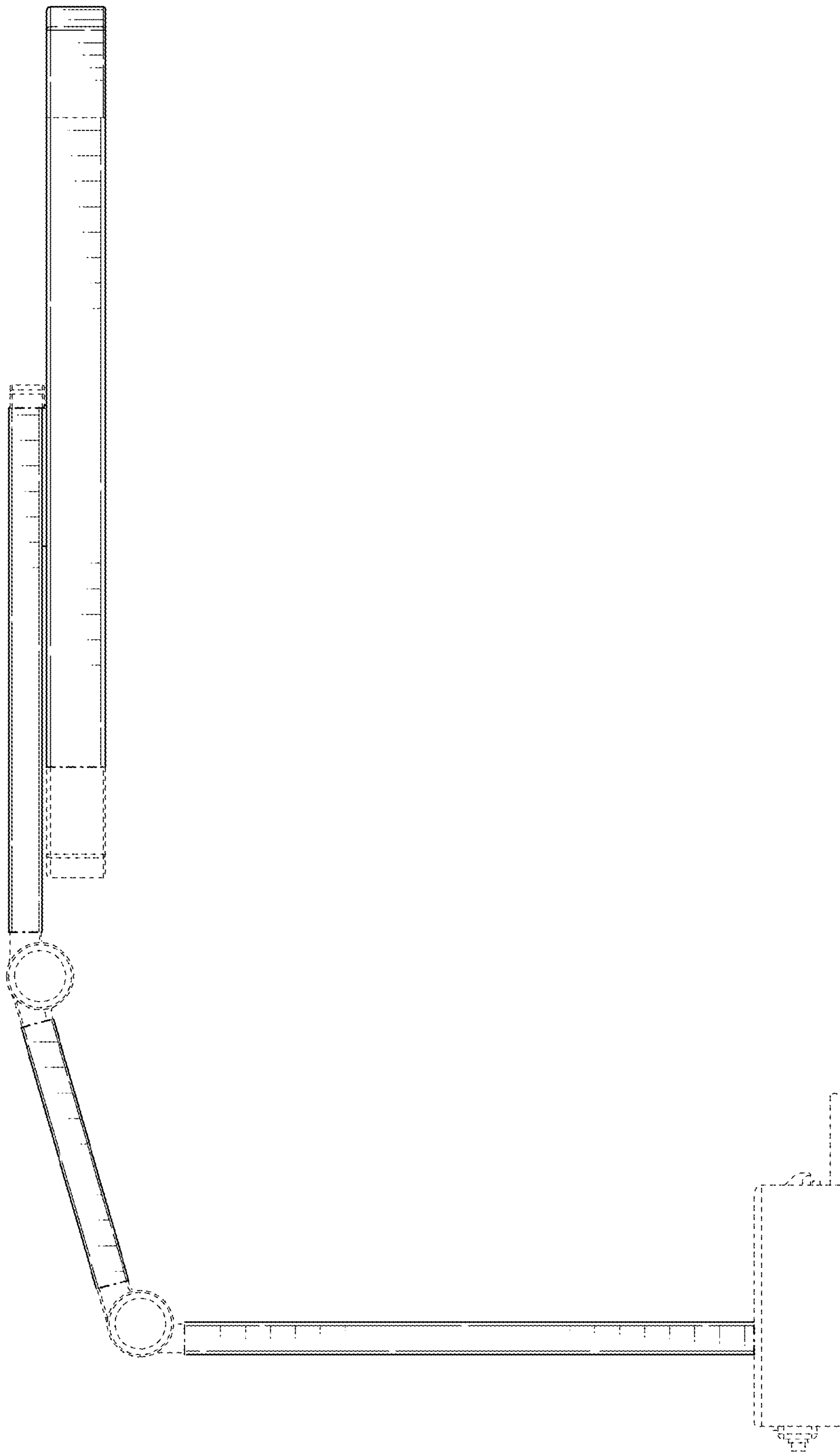


FIG. 5