



US00D907837S

(12) **United States Design Patent**
Tang et al.

(10) **Patent No.:** **US D907,837 S**

(45) **Date of Patent:** **** Jan. 12, 2021**

(54) **DESK LAMP**

(71) Applicants: **Zhisheng Tang**, Zhongshan (CN);
Guisheng Tang, Zhongshan (CN)

(72) Inventors: **Zhisheng Tang**, Zhongshan (CN);
Guisheng Tang, Zhongshan (CN)

(**) Term: **15 Years**

(21) Appl. No.: **29/696,975**

(22) Filed: **Jul. 2, 2019**

(30) **Foreign Application Priority Data**

Jan. 3, 2019 (CN) 2019 3 0001703

(51) **LOC (13) Cl.** **26-03**

(52) **U.S. Cl.**
USPC **D26/107**

(58) **Field of Classification Search**
USPC D26/93, 106, 107, 108
CPC . F21S 6/002; F21V 1/00; F21V 21/02; F21W
2131/30
See application file for complete search history.

(56) **References Cited**

U.S. PATENT DOCUMENTS

4,977,489 A * 12/1990 Fung F21S 6/003
362/184
D582,087 S * 12/2008 Su D26/63

D681,865 S * 5/2013 Lee D26/107
D744,693 S * 12/2015 Kitts D26/107
D759,289 S * 6/2016 Newhouse D26/107
D835,330 S * 12/2018 Richardson D26/107
D889,023 S * 6/2020 Sun D26/107

* cited by examiner

Primary Examiner — Brian N. Vinson

(74) *Attorney, Agent, or Firm* — Matthias Scholl P.C.;
Matthias Scholl

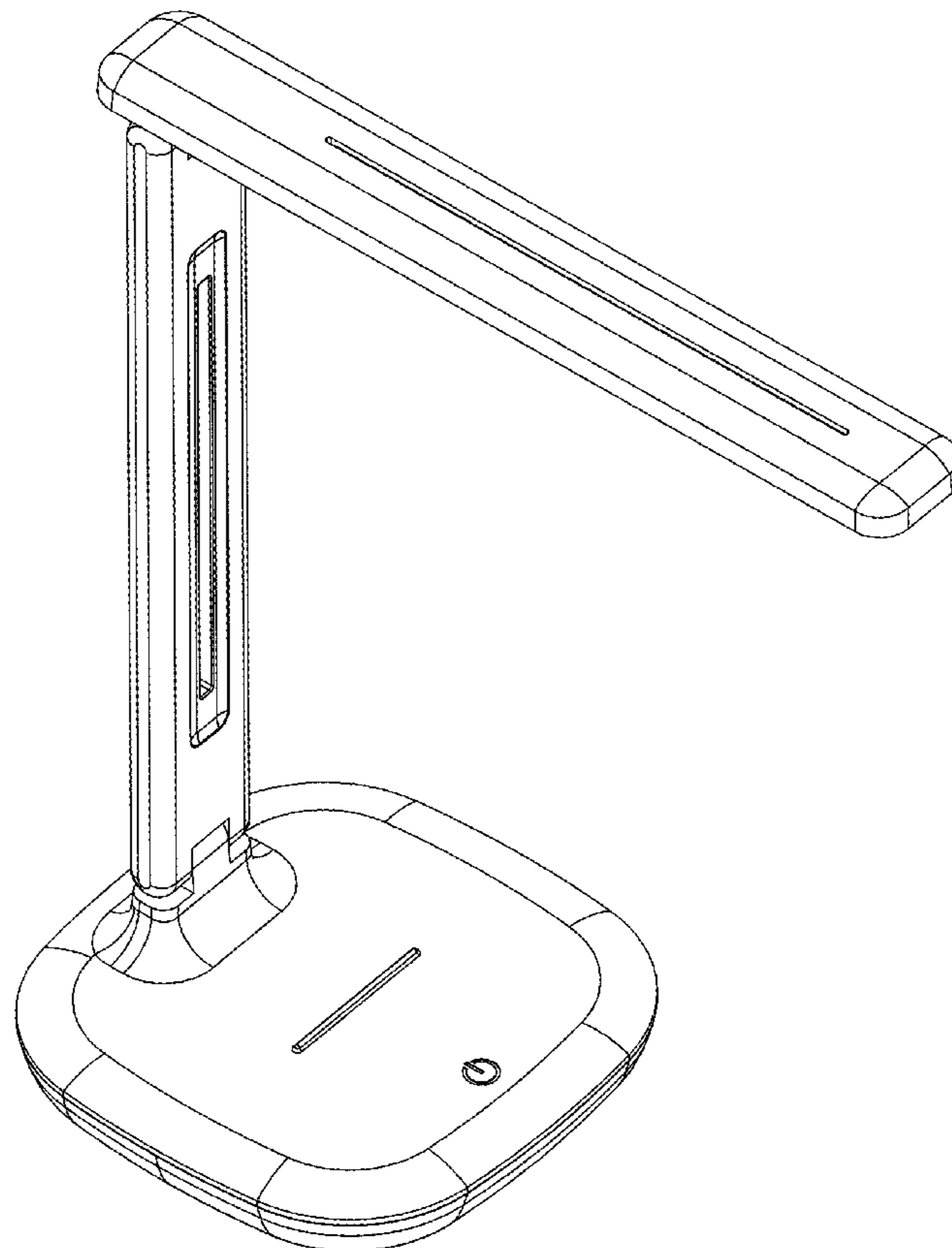
(57) **CLAIM**

The ornamental design for a desk lamp, as shown and described.

DESCRIPTION

FIG. 1 is a front elevation view of a desk lamp;
FIG. 2 is a rear elevation view thereof;
FIG. 3 is a left-side elevation view thereof;
FIG. 4 is a right-side elevation view thereof;
FIG. 5 is a top plan view thereof; and
FIG. 6 is a bottom plan view thereof;
FIG. 7 is a perspective view thereof; and,
FIG. 8 is a bottom perspective view thereof.

1 Claim, 8 Drawing Sheets



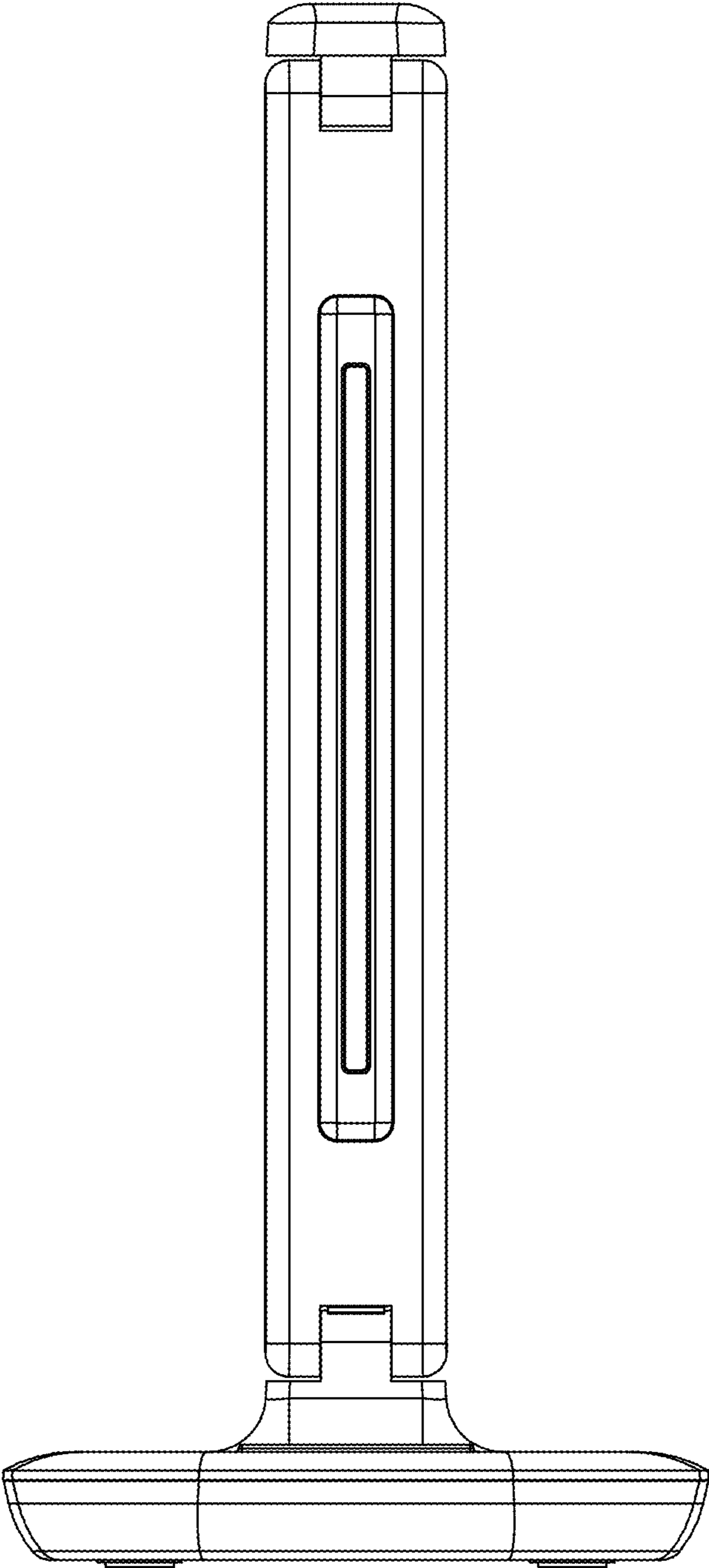


FIG. 1

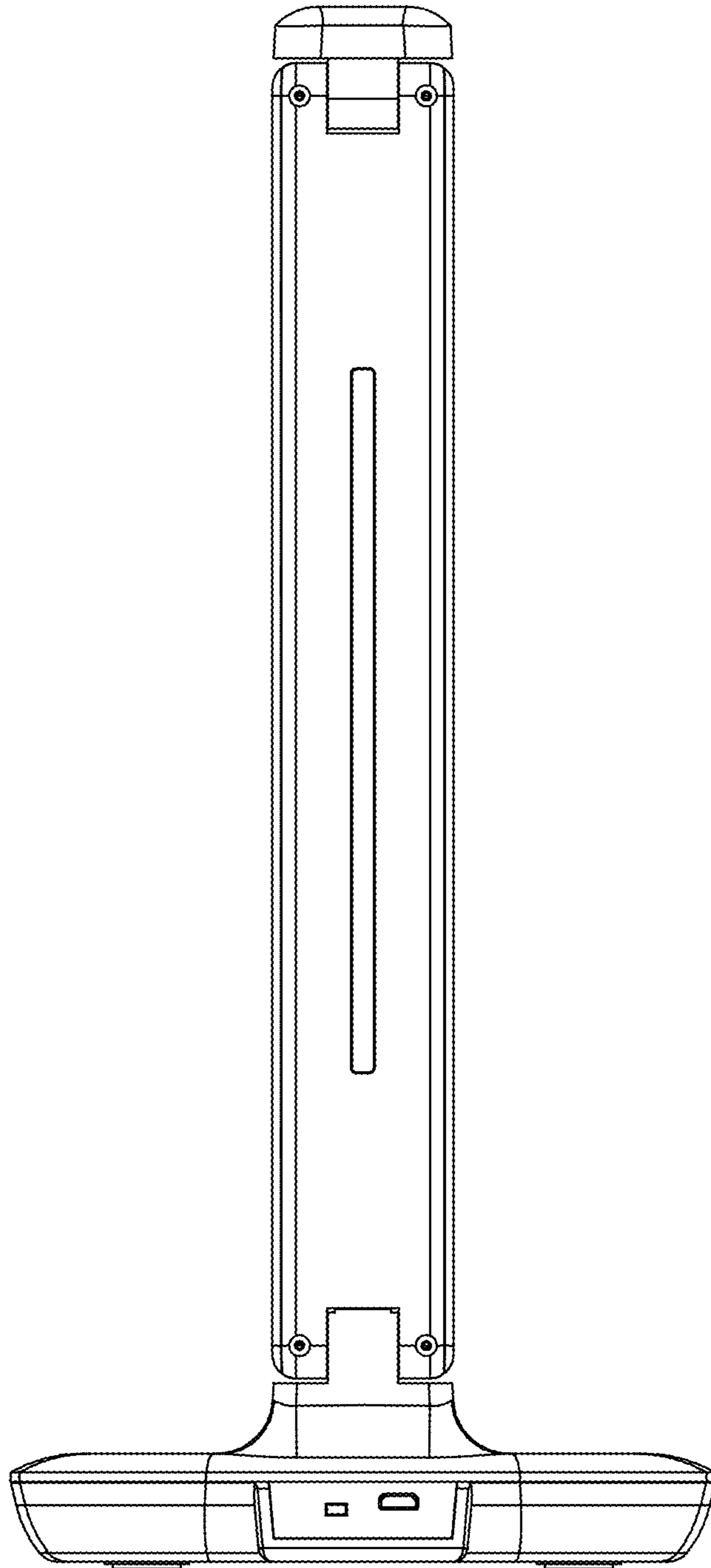


FIG. 2

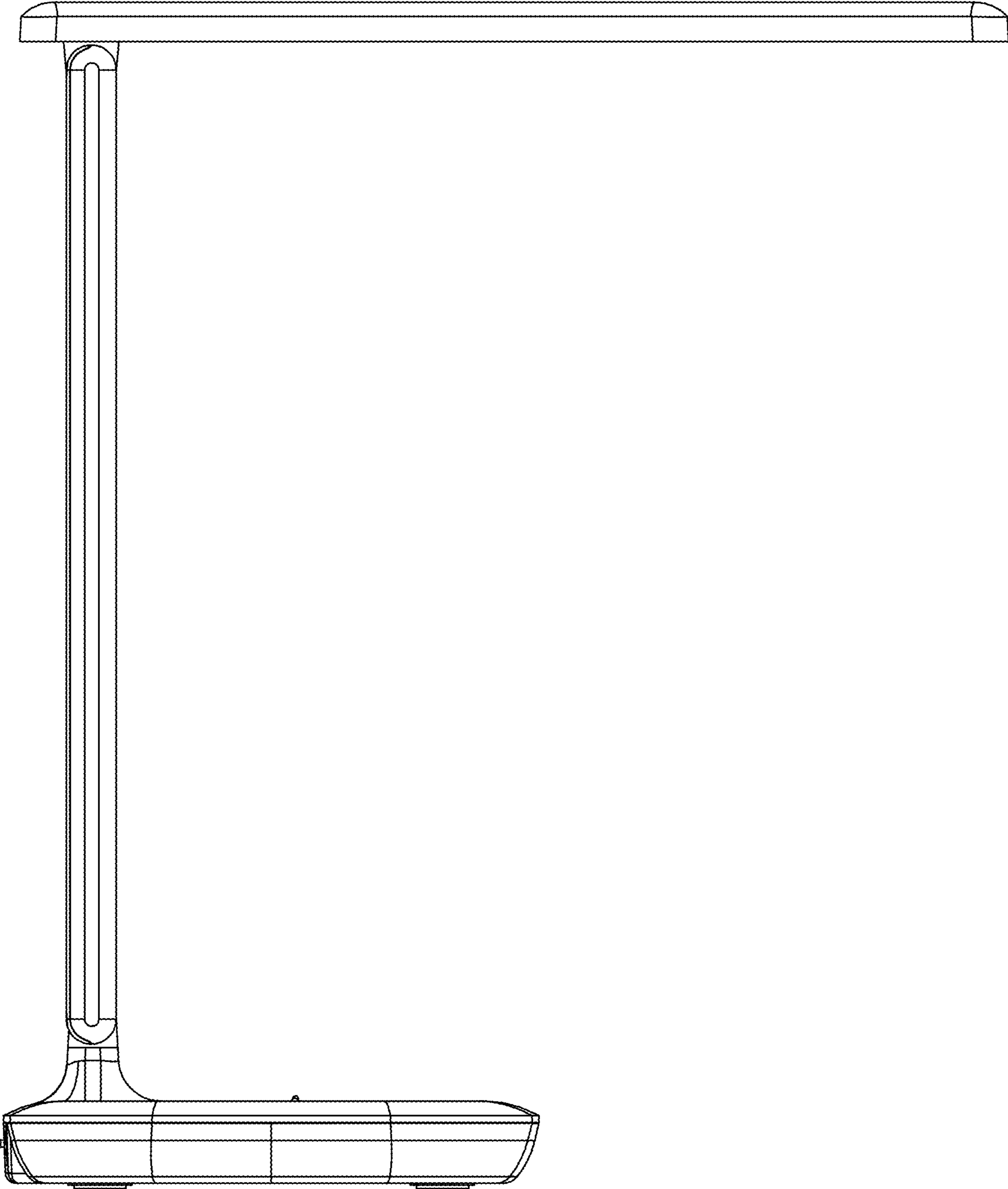


FIG. 3

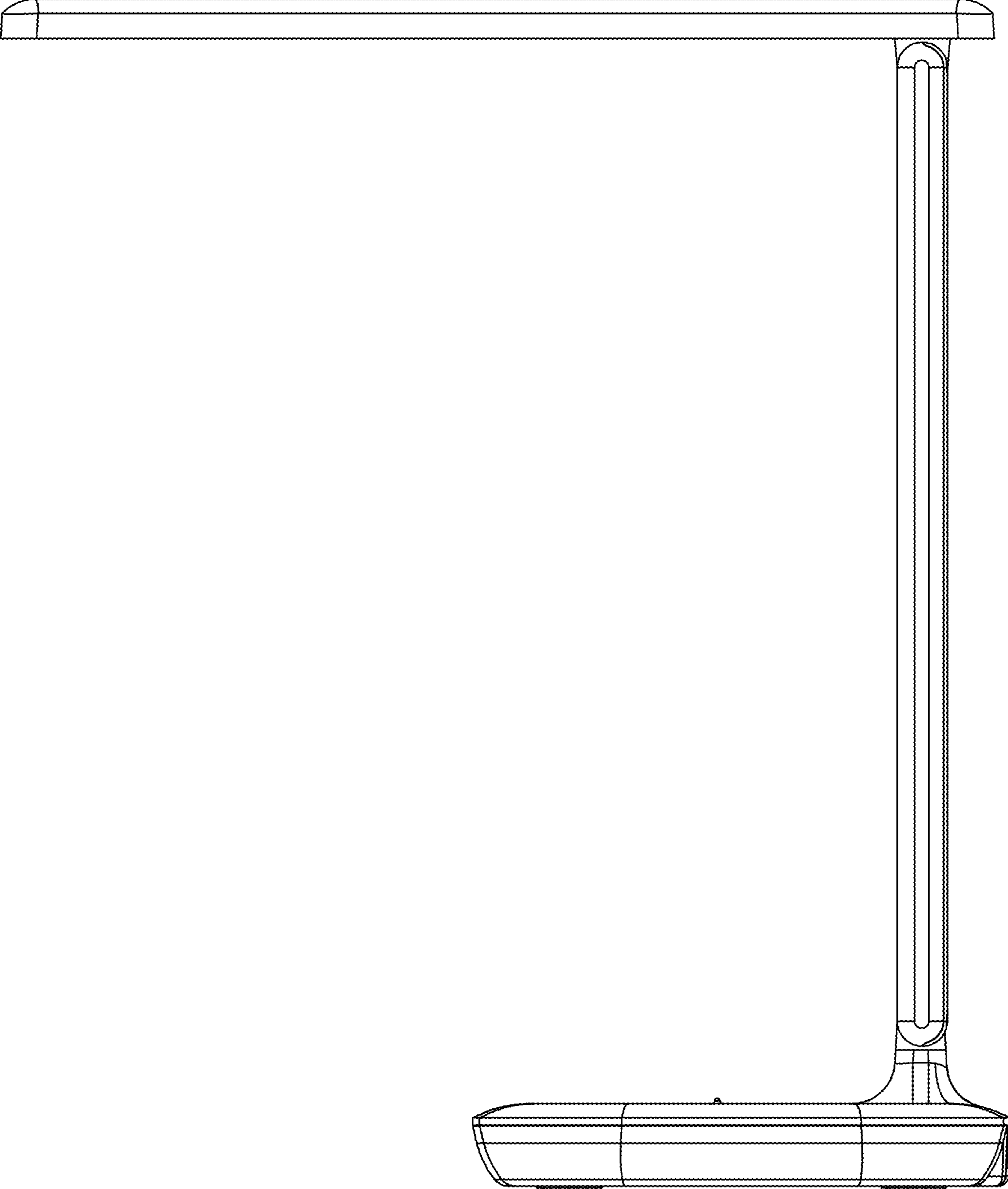


FIG. 4

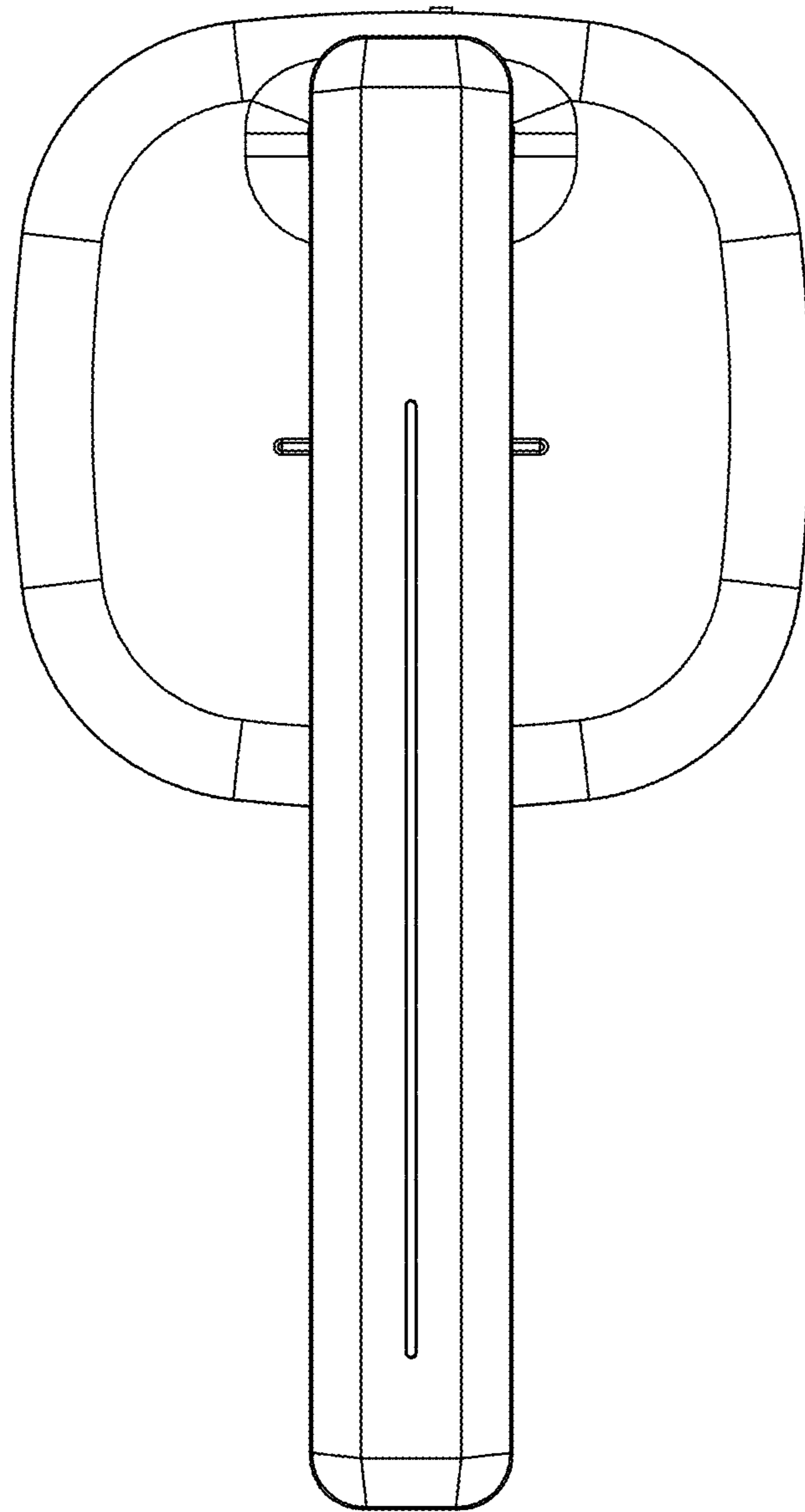


FIG. 5

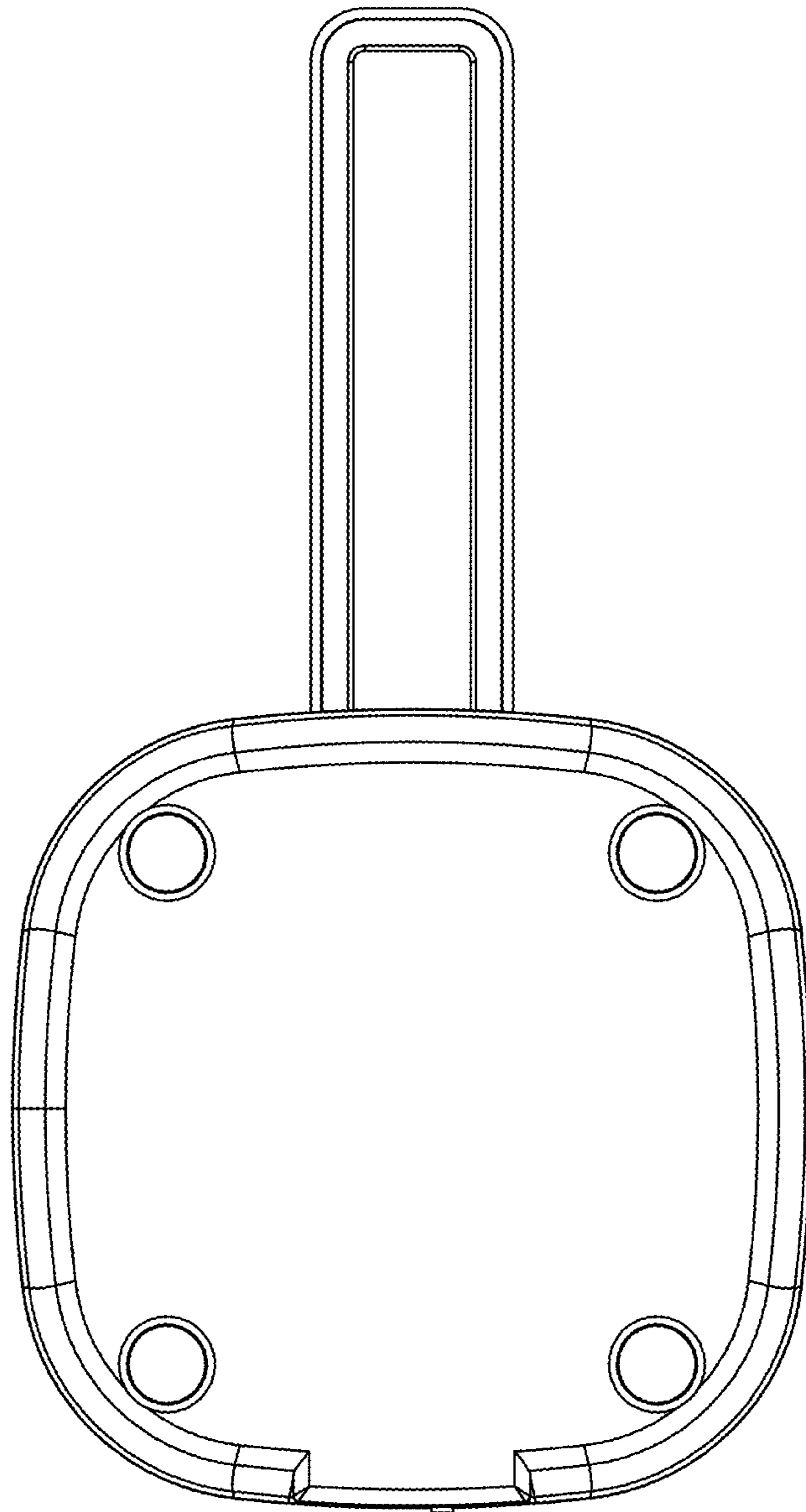


FIG. 6

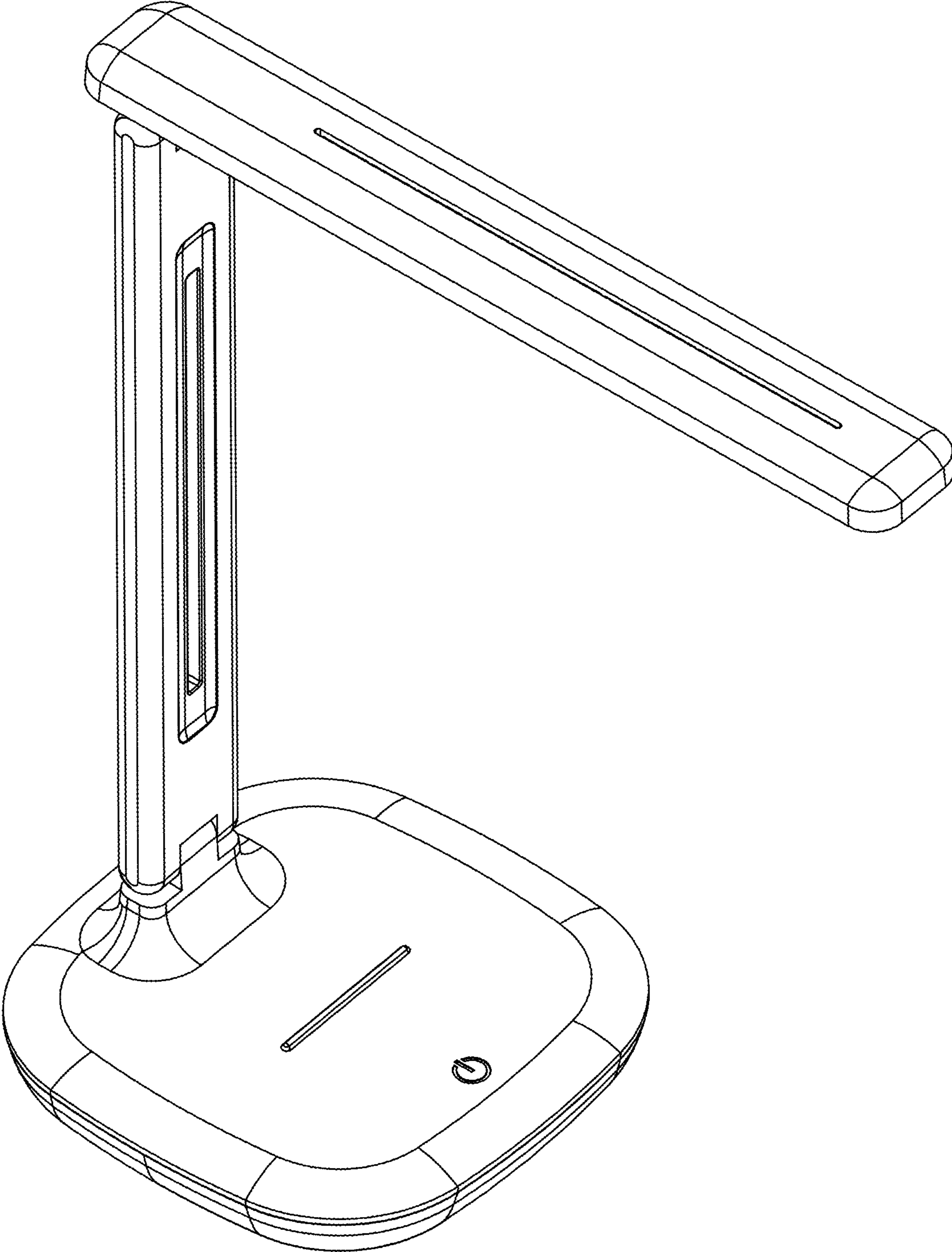


FIG. 7

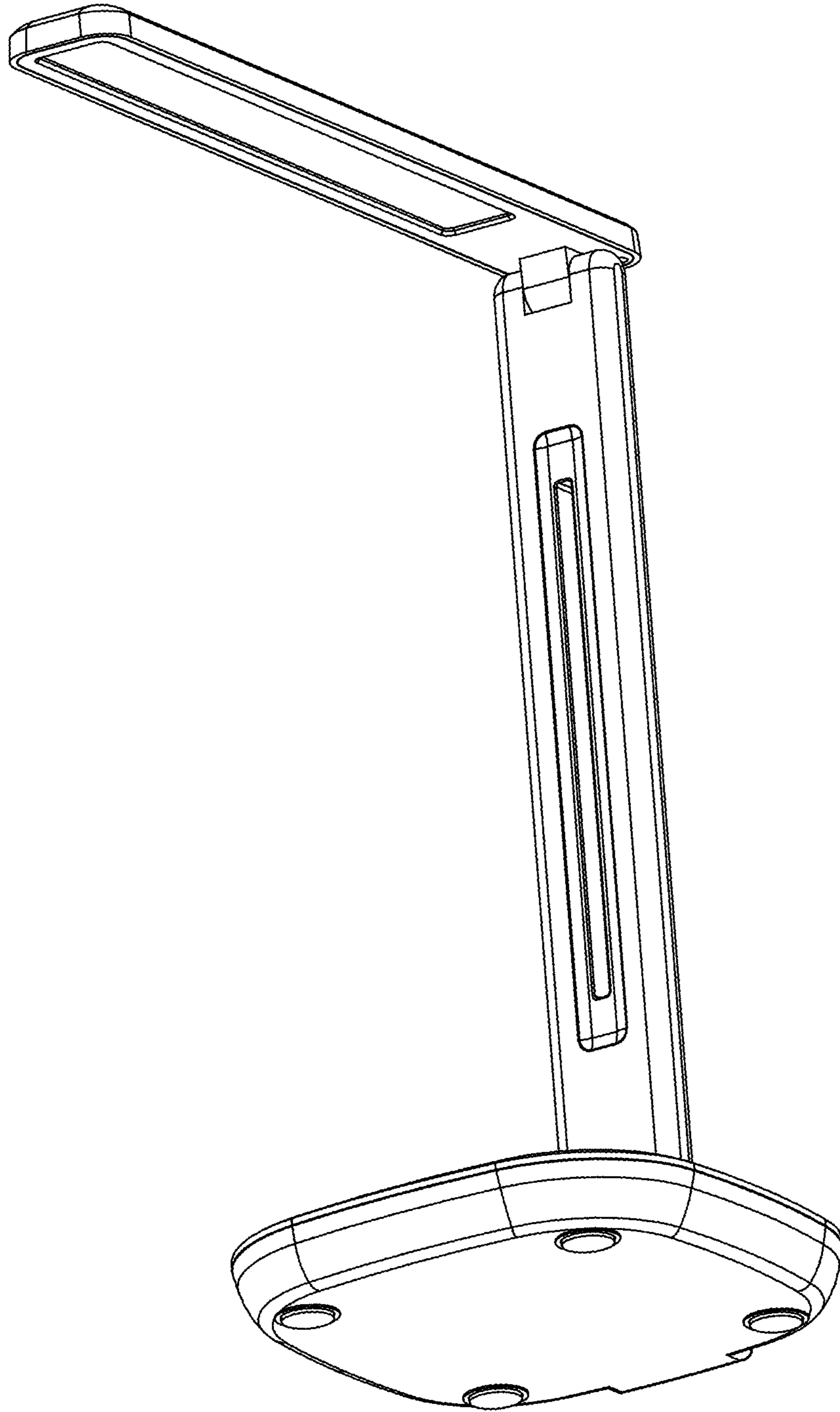


FIG. 8