



US00D907836S

(12) **United States Design Patent**
Zhou

(10) **Patent No.:** **US D907,836 S**
(45) **Date of Patent:** **** Jan. 12, 2021**

- (54) **RING LIGHT**
- (71) Applicant: **Suzhou Eway Tech Co., Ltd**, Suzhou (CN)
- (72) Inventor: **Min Zhou**, Suzhou (CN)
- (73) Assignee: **Suzhou Eway Tech Co., Ltd**, Suzhou (CN)
- (**) Term: **15 Years**
- (21) Appl. No.: **29/740,403**
- (22) Filed: **Jul. 2, 2020**
- (51) **LOC (13) Cl.** **26-05**
- (52) **U.S. Cl.**
USPC **D26/106; D16/237**
- (58) **Field of Classification Search**
USPC ... D26/1, 24, 39, 60, 61, 63, 64, 65, 72, 79, D26/92, 106, 111, 113, 118, 120, 123, D26/124; D16/237, 239, 244, 245, 250
CPC F21V 21/14; F21V 21/30; F21V 21/096; F21V 15/01; F21V 12/02; F21V 1/06; F21V 1/12; F21S 8/003; F21S 8/043; G03B 2215/0539; G03B 2215/0575; G03B 17/56; G03B 17/565
See application file for complete search history.

- D877,392 S * 3/2020 Yu D26/79
- D882,843 S 4/2020 Kaiser
- D886,360 S * 6/2020 Xu D26/106
- D887,052 S * 6/2020 Xu D26/39
- D887,590 S 6/2020 Ke
- D888,814 S * 6/2020 Chen D16/244
- D895,877 S * 9/2020 Kaiser D26/72
- 2016/0069548 A1* 3/2016 Wessel F21S 9/02 362/183

* cited by examiner

Primary Examiner — Wan Laymon
Assistant Examiner — Clint A Samuel
(74) *Attorney, Agent, or Firm* — ScienBiziP, P.C.

(57) **CLAIM**

The ornamental design for a ring light, as shown and described.

DESCRIPTION

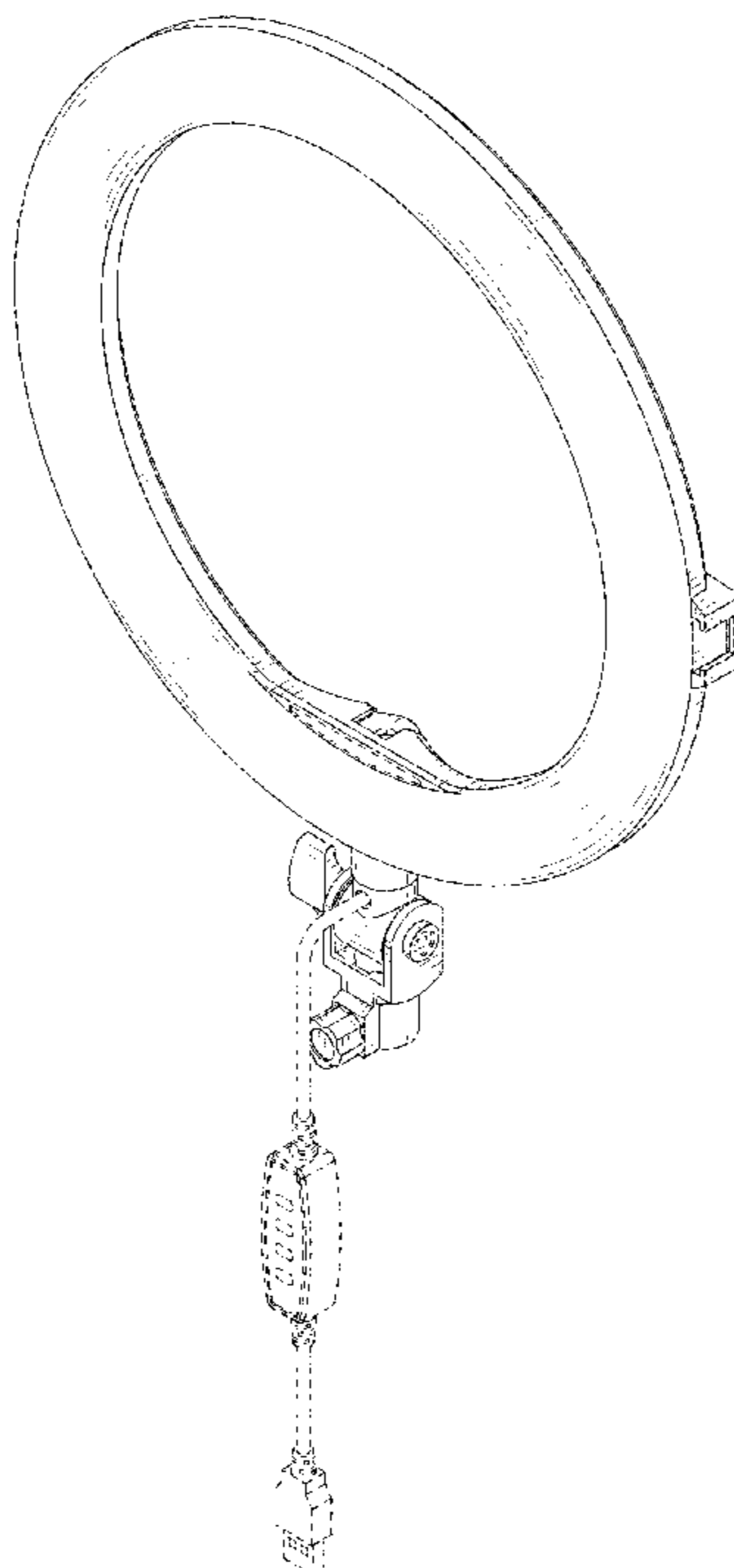
FIG. 1 is a front perspective view of a ring light, showing my design.
FIG. 2 is a rear perspective view thereof.
FIG. 3 is a front elevation view thereof.
FIG. 4 is a rear elevation view thereof.
FIG. 5 is a left side elevation view thereof.
FIG. 6 is a right side elevation view thereof.
FIG. 7 is a top plan view thereof; and,
FIG. 8 is a bottom plan view thereof.
The broken lines showing in the drawings are included for the purpose of illustrating environmental structure and portions of the ring light, and form no part of the claimed design.

1 Claim, 8 Drawing Sheets

(56) **References Cited**

U.S. PATENT DOCUMENTS

- D827,180 S * 8/2018 Mou D26/72
- D855,242 S * 7/2019 Chen D26/106
- D860,485 S * 9/2019 Yu D26/24
- D872,348 S 1/2020 Liu
- D873,328 S * 1/2020 Shen D16/239



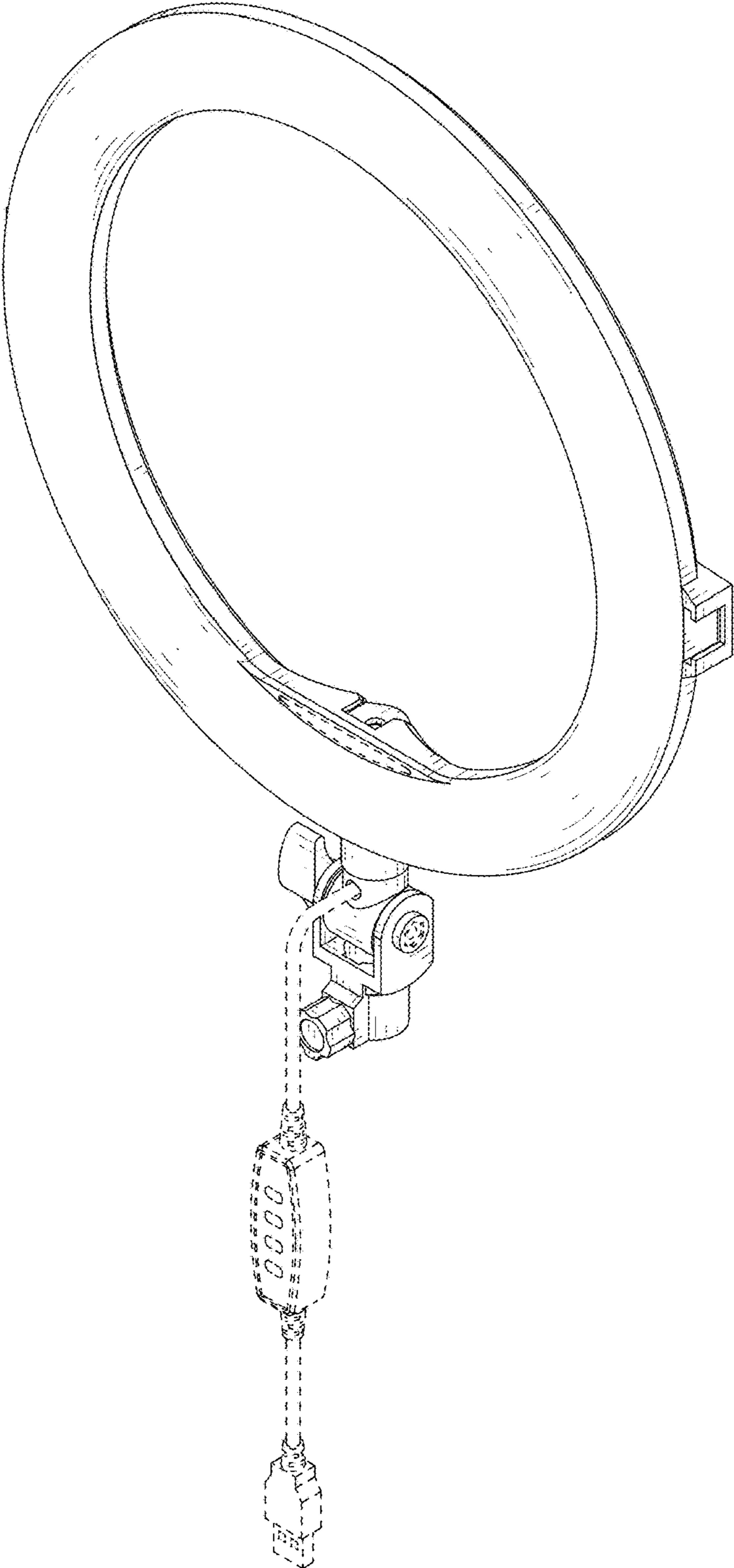


FIG. 1

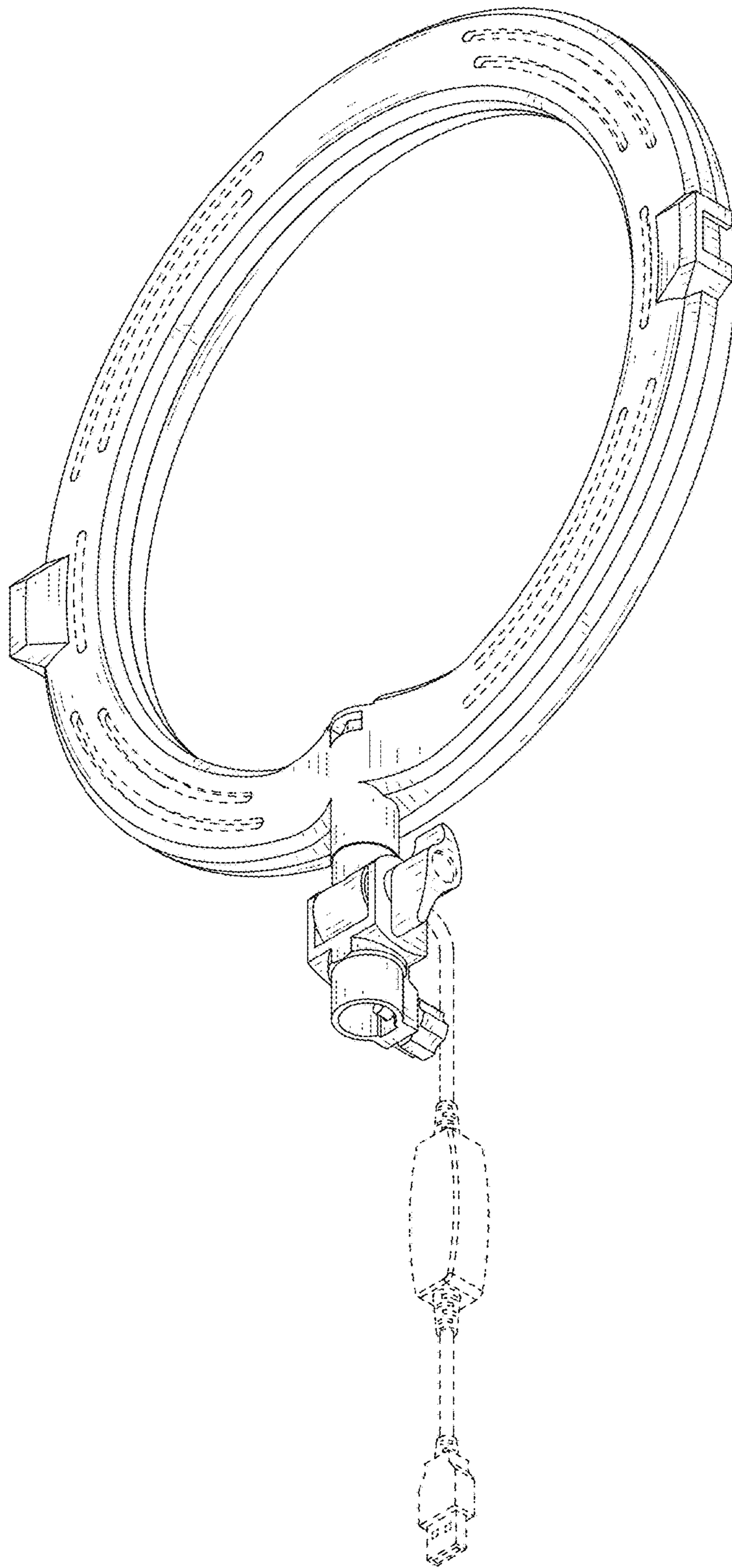


FIG. 2

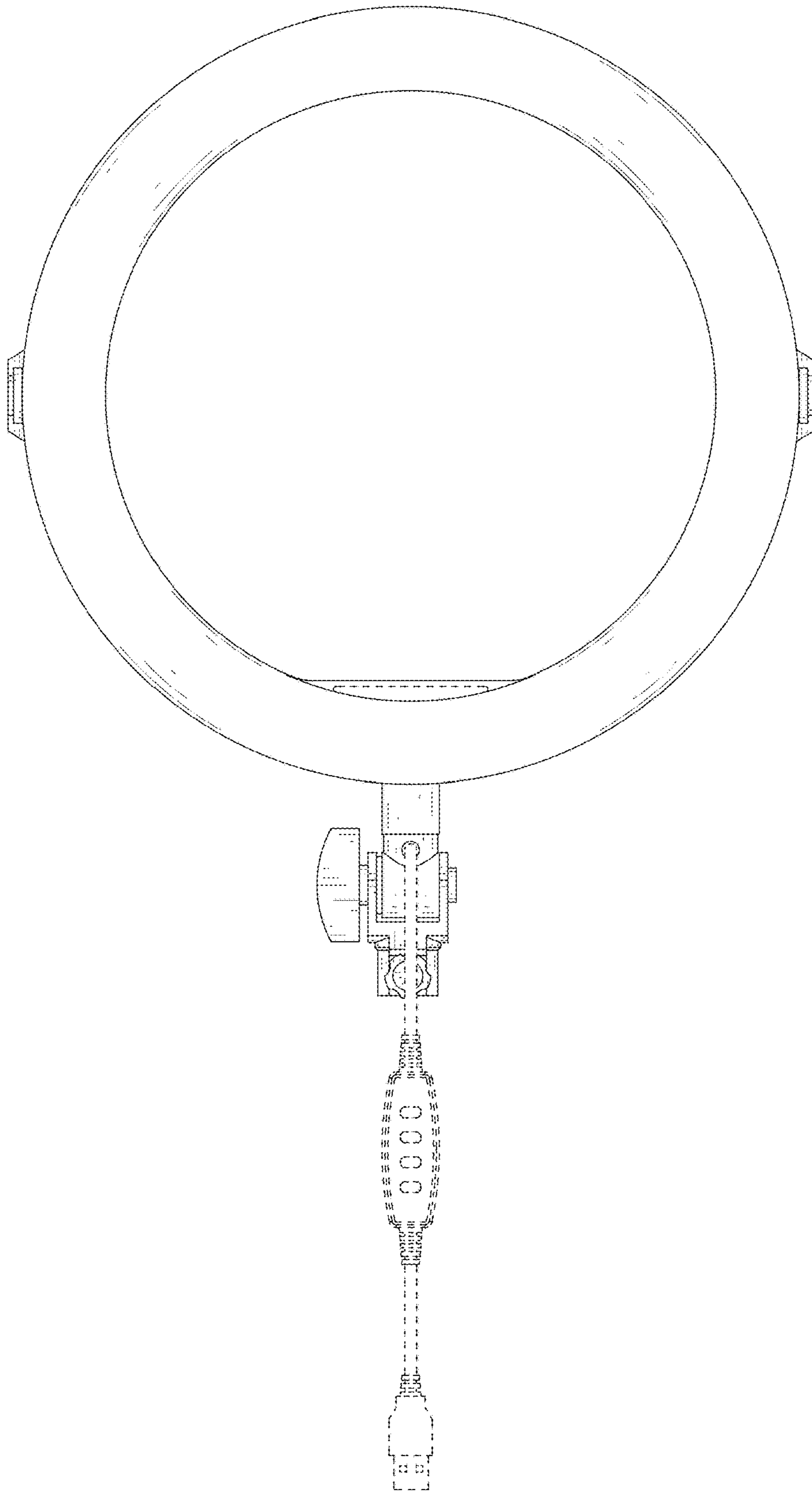


FIG. 3

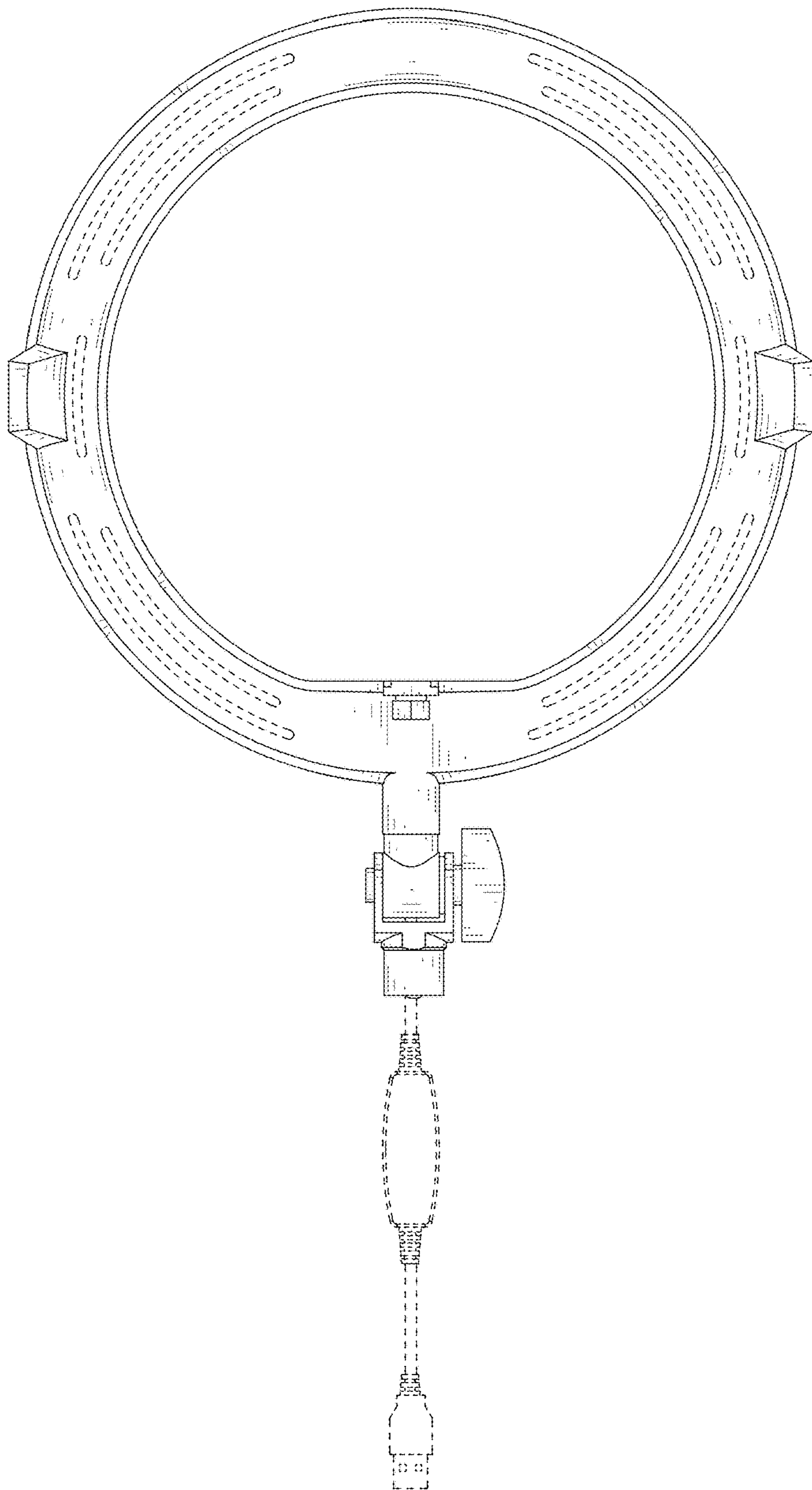


FIG. 4

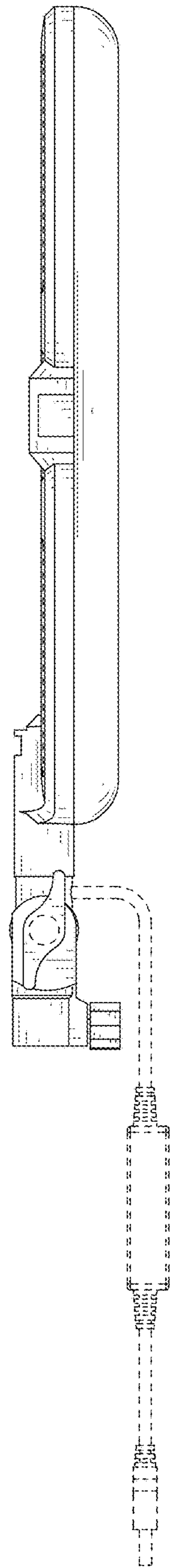


FIG. 5

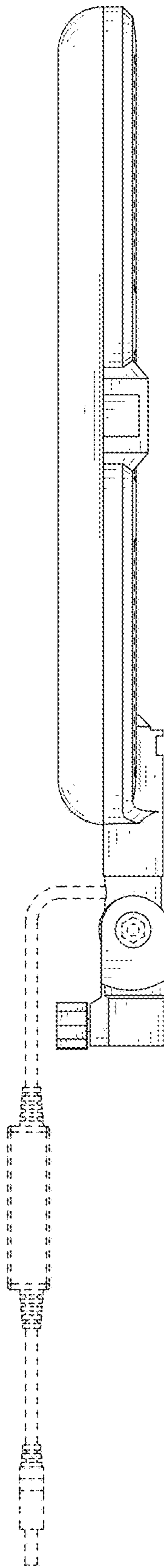


FIG. 6

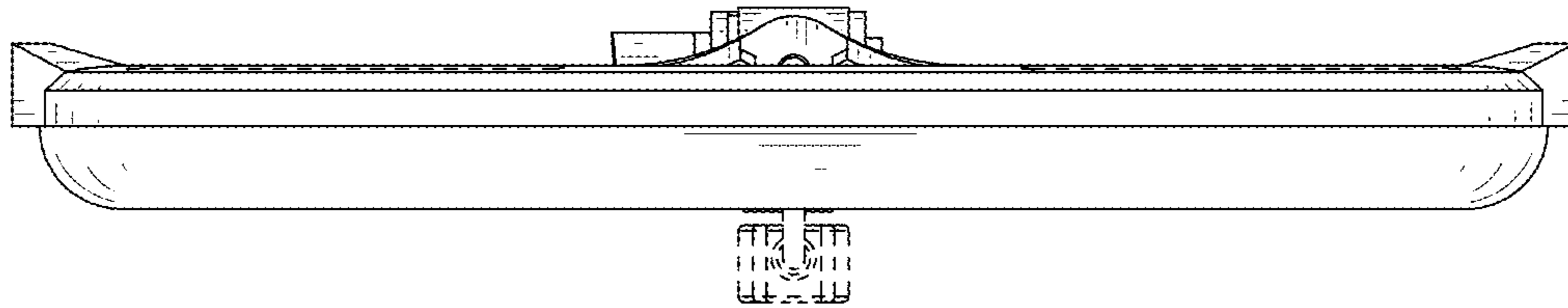


FIG. 7

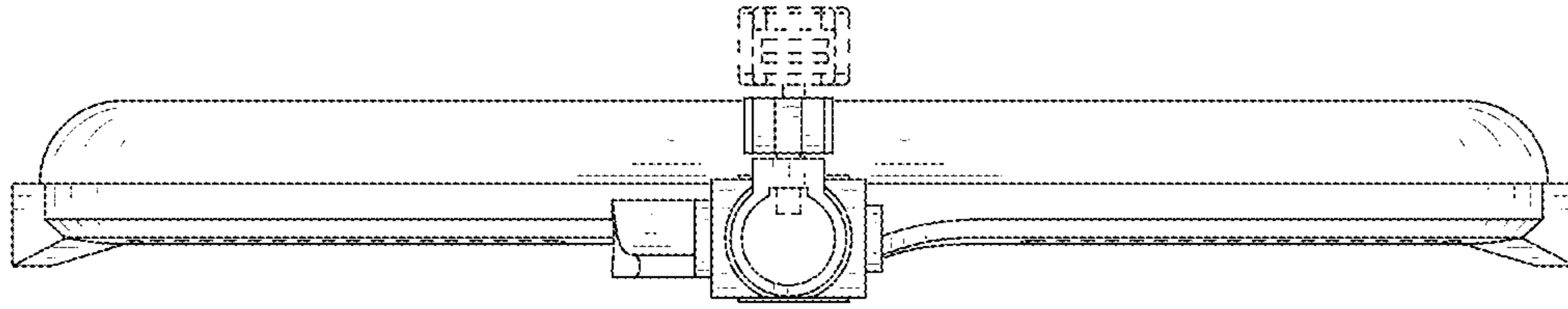


FIG. 8