



US00D907835S

(12) **United States Design Patent** (10) **Patent No.:** **US D907,835 S**
Lee (45) **Date of Patent:** **** Jan. 12, 2021**

(54) **LIGHT FIXTURE**
(71) Applicant: **Progressive Lighting, Inc.**, Duluth, GA (US)
(72) Inventor: **Troy Lee**, Duluth, GA (US)
(73) Assignee: **PROGRESSIVE LIGHTING, INC.**, Duluth, GA (US)

D837,435 S * 1/2019 Richardson D26/82
D861,951 S * 10/2019 Zitoli D26/81
D870,950 S * 12/2019 Tomlinson D26/81
D877,394 S * 3/2020 Amato D26/88
D877,959 S * 3/2020 Birchfield D26/81
2009/0213581 A1* 8/2009 Gauger F21S 8/036
362/161

(**) Term: **15 Years**

(21) Appl. No.: **29/695,767**

(22) Filed: **Jun. 21, 2019**

(51) **LOC (13) Cl.** **26-03**

(52) **U.S. Cl.**
USPC **D26/81**

(58) **Field of Classification Search**
USPC D26/72, 73, 80, 81, 84, 85, 86, 88, 90, D26/91, 118
CPC F21S 8/04; F21S 8/043; F21S 8/046; F21S 8/06; F21S 8/061; F21S 8/063; F21S 8/065; F21S 8/068; F21V 7/18; F21W 2121/04

See application file for complete search history.

(56) **References Cited**

U.S. PATENT DOCUMENTS

D66,151 S * 12/1924 Stover D26/81
3,254,208 A * 5/1966 Moore F21S 8/06
362/375
D252,531 S * 7/1979 Glassman D26/80
D536,468 S * 2/2007 Crosby D26/84
D760,420 S * 6/2016 Tomlinson D26/81
9,777,899 B2 * 10/2017 Sonneman F21V 21/104
D821,024 S * 6/2018 Tomlinson D26/138

OTHER PUBLICATIONS

Savoy House 1-324-5-322 Townsend 5-Light Linear Chandelier available at amazon.com Jul. 5, 2018. (Year: 2018).*
Duprey 6-Light Kitchen Island Pendant SKU: J000272495 from jossandmain.com, as early as Dec. 12, 2016. (Year: 2018).*
Denmark 6 light Vintage Bronze Chandelier SKU: 1512G54VB from elegantlighting.com, visited Apr. 23, 2020. (Year: 2020).*

* cited by examiner

Primary Examiner — Clare E Heflin

(74) *Attorney, Agent, or Firm* — Georgiy L. Khayet

(57) **CLAIM**

The ornamental design for a light fixture, as shown and described.

DESCRIPTION

FIG. 1 is a perspective view of the light fixture showing the new design.

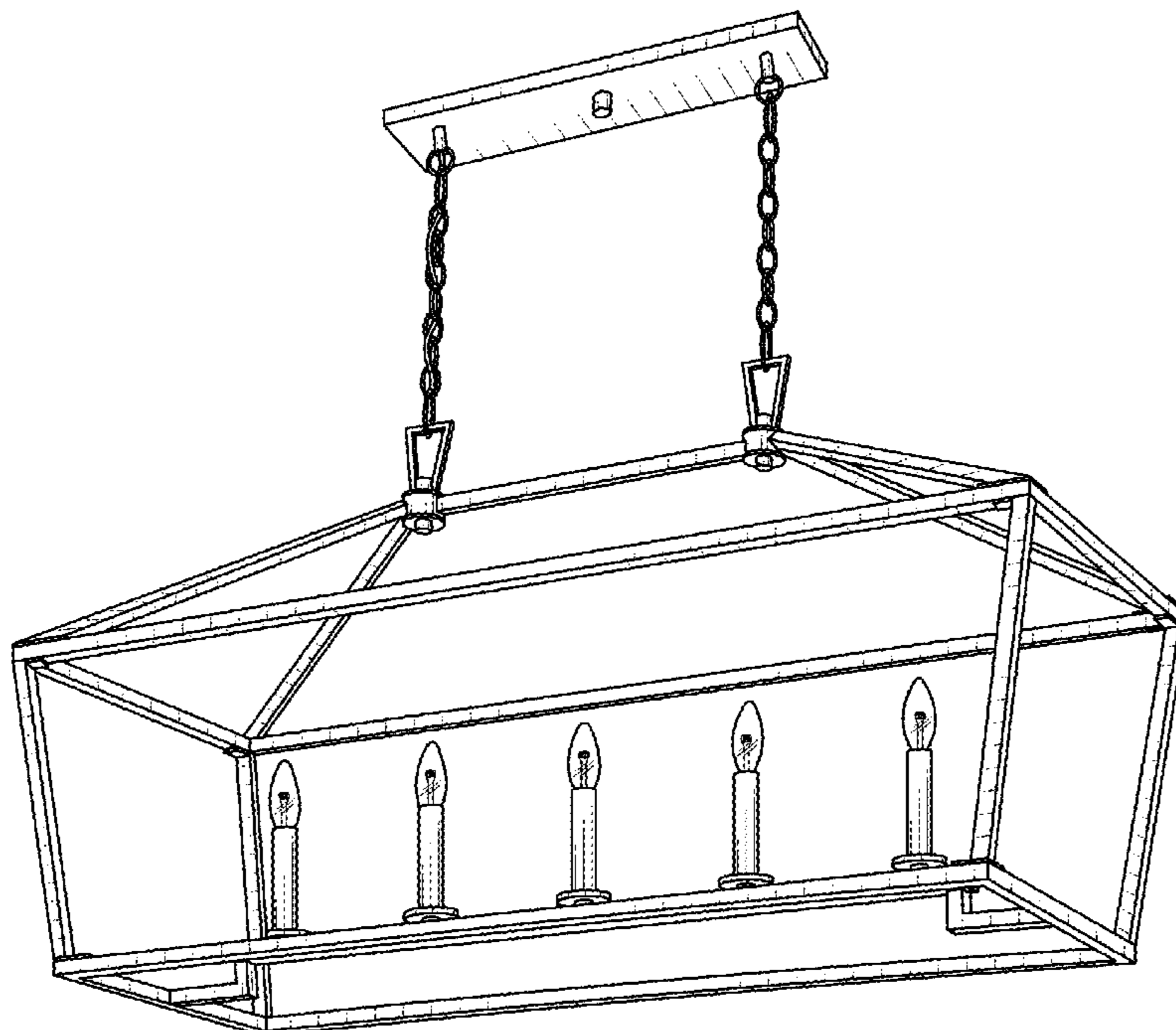
FIG. 2 is a perspective view from below of the light fixture in accordance with the design.

FIG. 3 is a side view of a long side of the light fixture in accordance with the design.

FIG. 4 is a bottom view of the light fixture in accordance with the design; and,

FIG. 5 is a top view of the light fixture in accordance with the design.

1 Claim, 4 Drawing Sheets



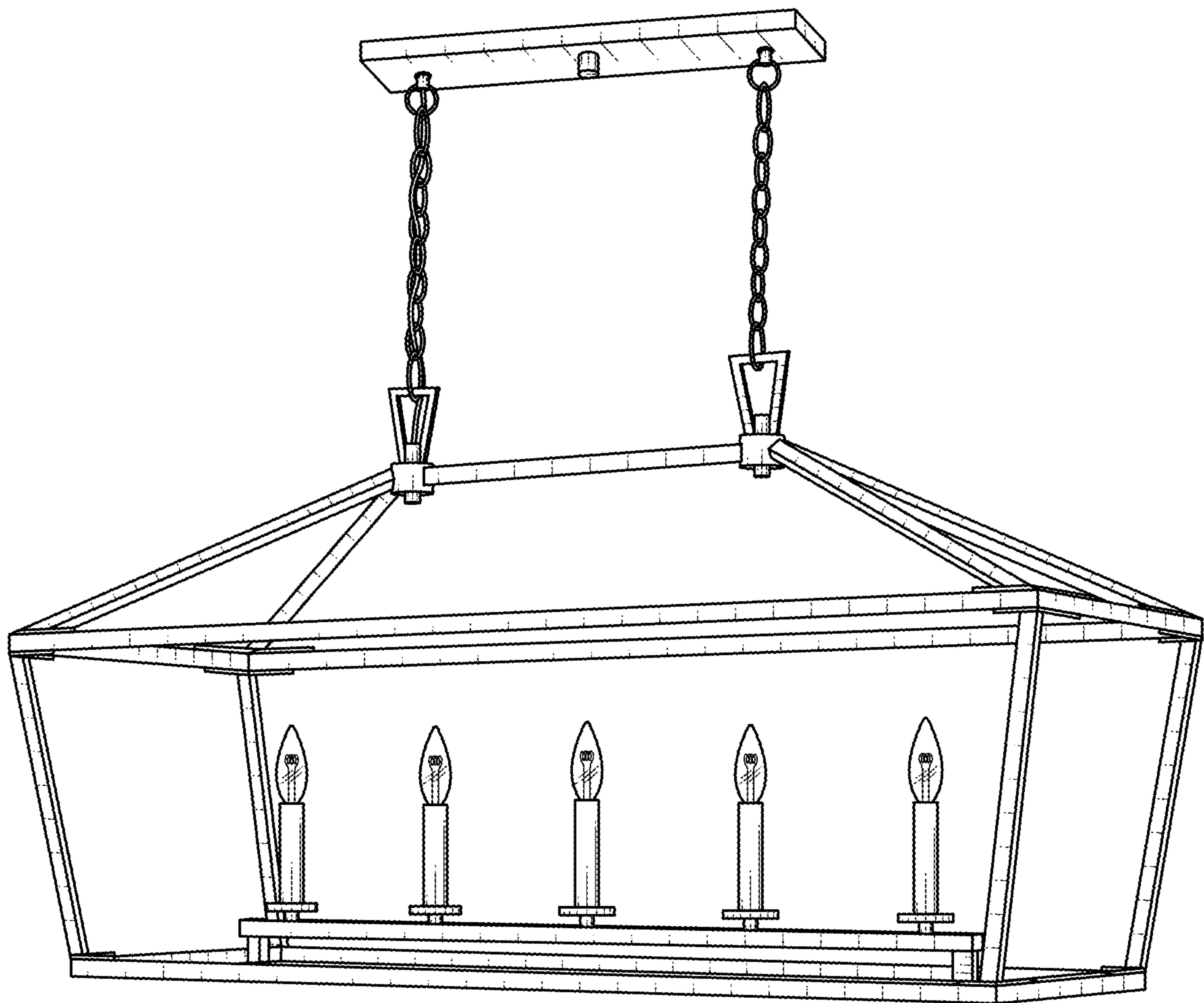


FIG. 1

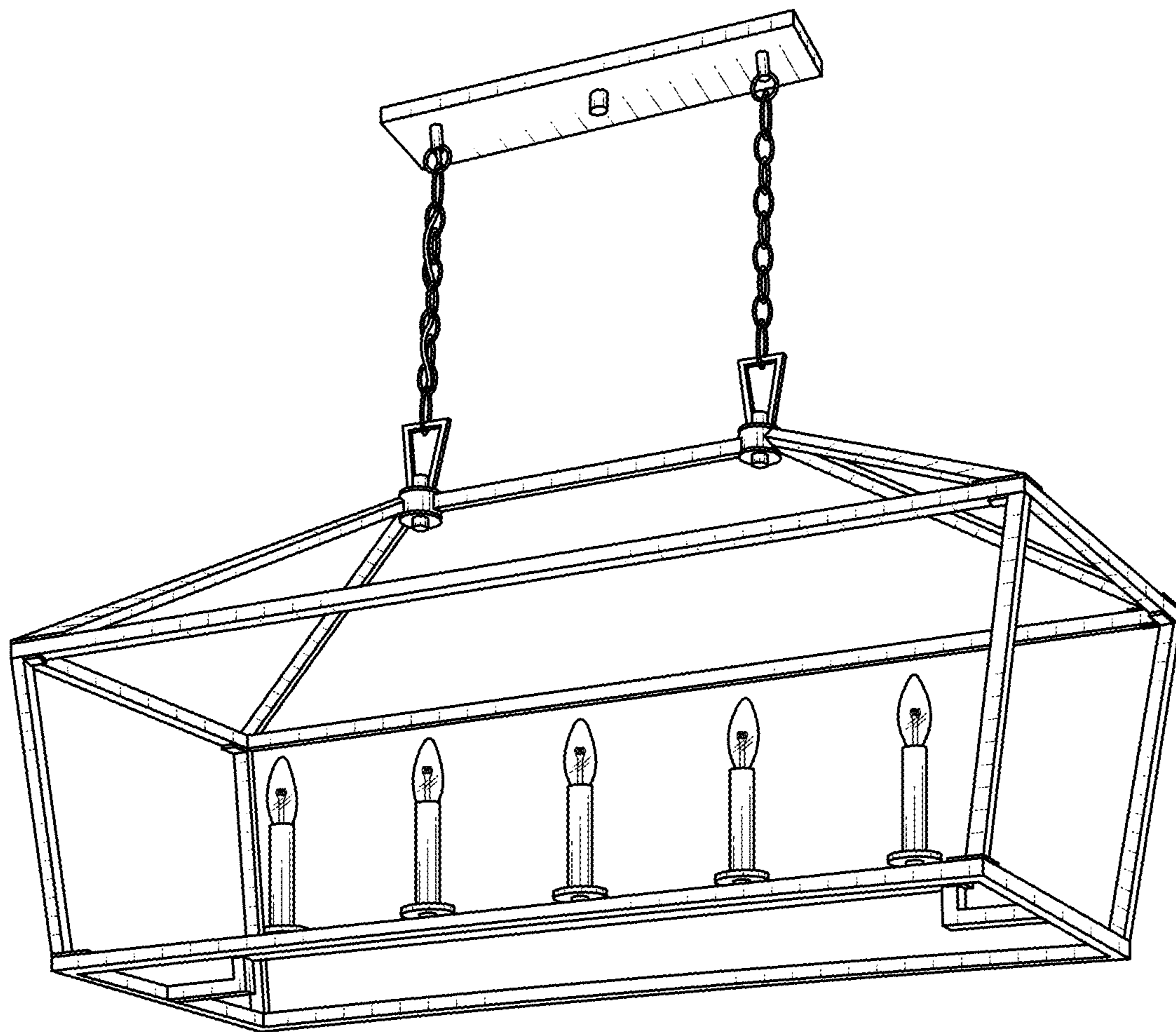


FIG. 2

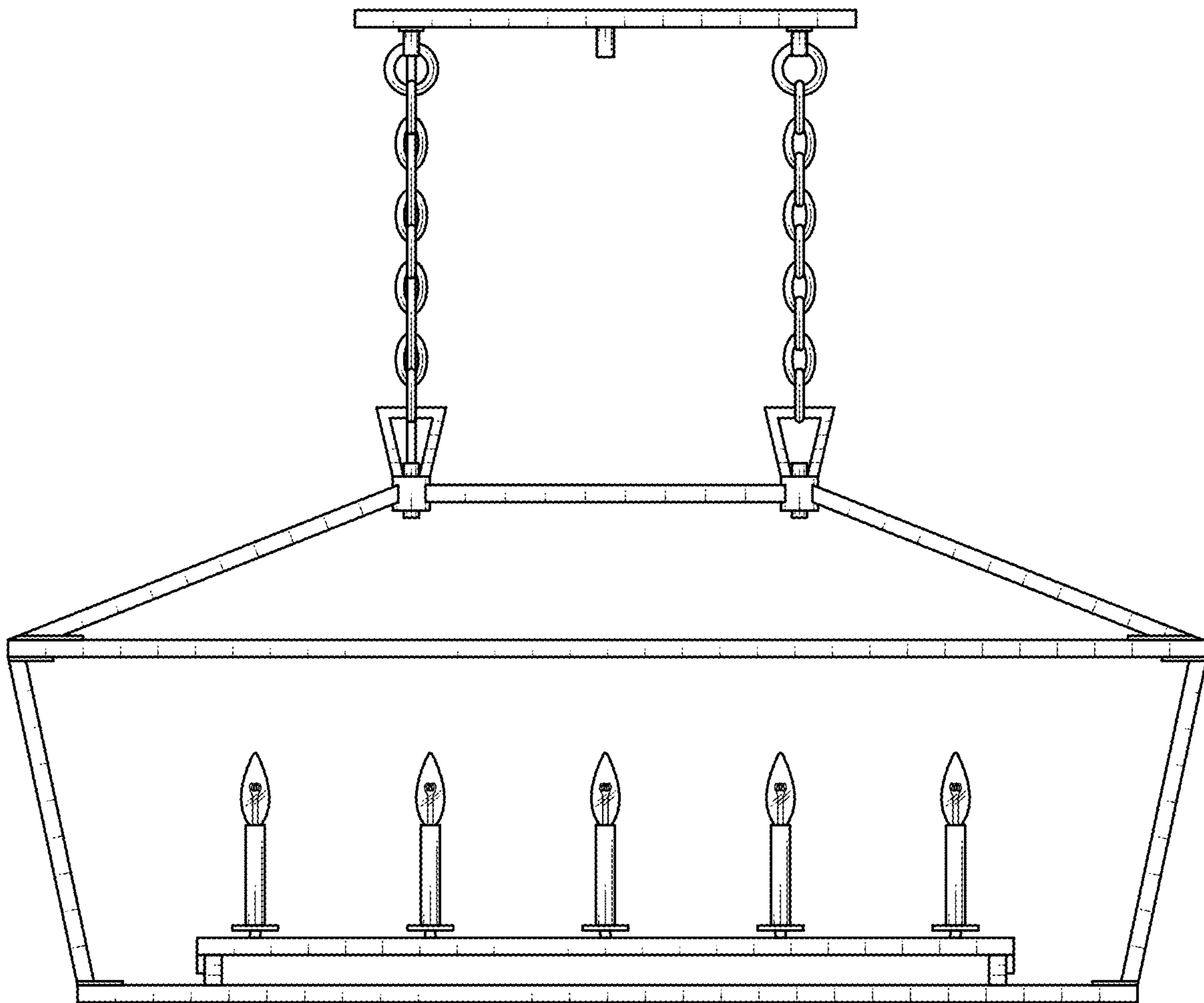


FIG. 3

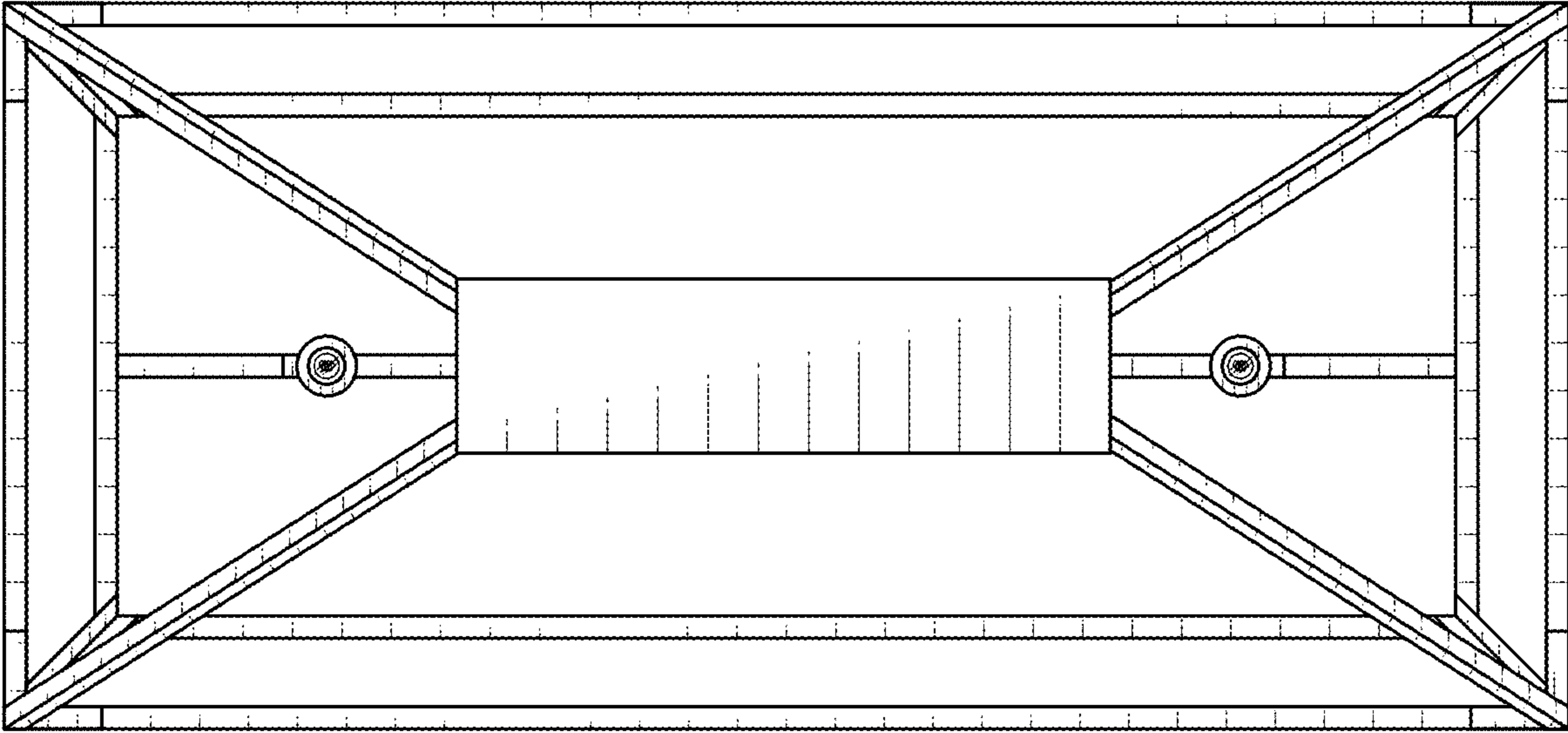


FIG. 4

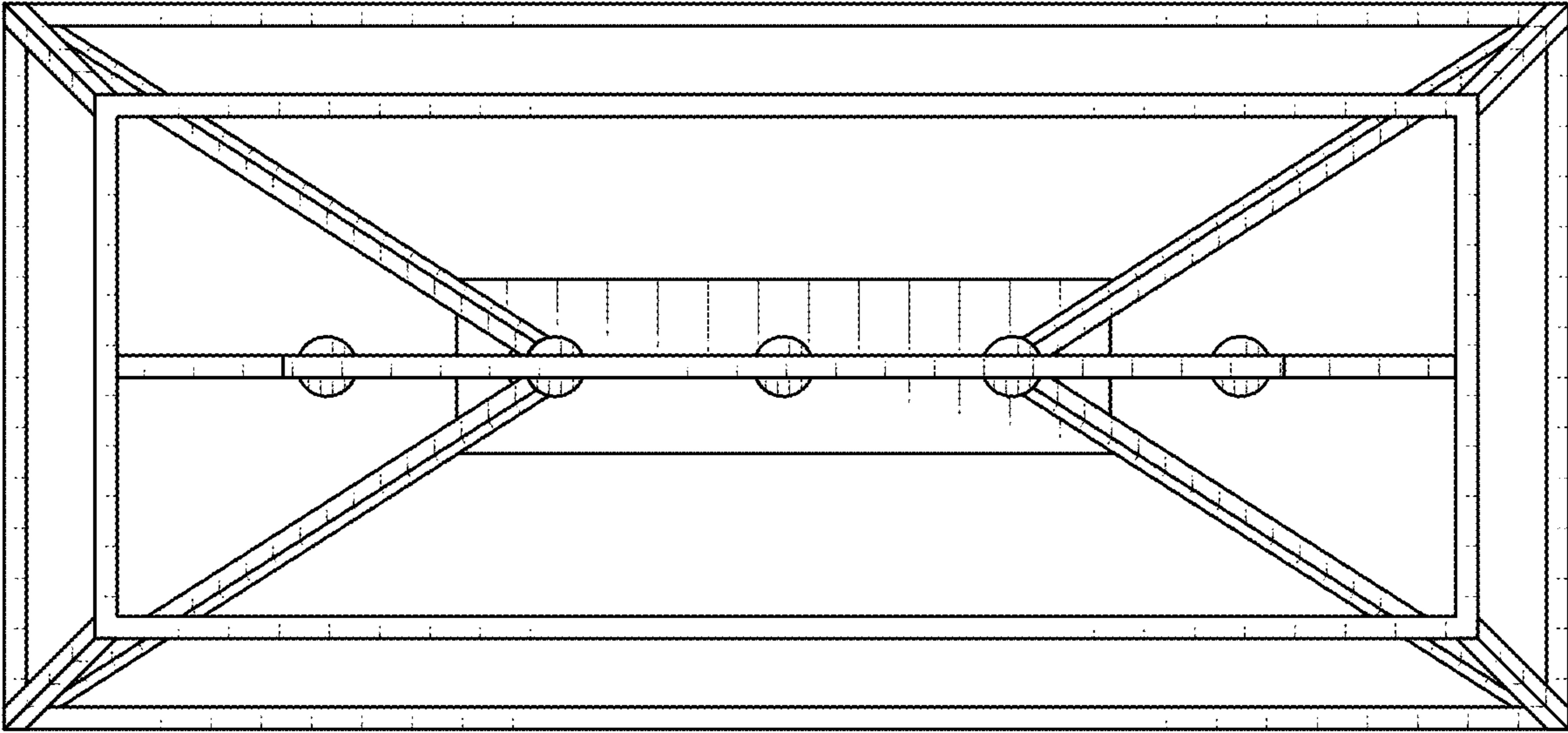


FIG. 5