



US00D907834S

(12) **United States Design Patent**  
**Goza et al.**

(10) **Patent No.:** **US D907,834 S**  
(45) **Date of Patent:** **\*\* Jan. 12, 2021**

- (54) **LIGHT ENCLOSURE**
- (71) Applicant: **Proximity Systems, Inc.**, Houston, TX (US)
- (72) Inventors: **Jeremy Goza**, Houston, TX (US);  
**Jonathan Goza**, Houston, TX (US);  
**Michael Murphy**, Houston, TX (US)
- (\*\*) Term: **15 Years**

- D694,448 S 11/2013 Li
  - 8,581,522 B2 11/2013 Inskeep
  - D712,104 S 8/2014 Stickney et al.
  - D773,108 S \* 11/2016 Anderson ..... D26/118
  - 9,651,227 B2 \* 5/2017 Pickard ..... F21V 21/30
  - D793,617 S \* 8/2017 Trzcielinski ..... D26/118
  - 9,901,652 B2 2/2018 Cole et al.
  - D847,405 S \* 4/2019 Guerrieri ..... F21S 4/24  
D26/118
  - D887,066 S \* 6/2020 Ladnier ..... D26/76
- (Continued)

- (21) Appl. No.: **29/674,322**
- (22) Filed: **Dec. 20, 2018**
- (51) **LOC (13) Cl.** ..... **26-04**
- (52) **U.S. Cl.**  
USPC ..... **D26/76**
- (58) **Field of Classification Search**  
USPC ..... D26/1-3, 24, 51, 61, 72, 75-78, 81, 85,  
D26/88, 113, 118-120, 122, 138  
CPC .. B60Q 1/04; B60Q 1/26; F21V 19/02; F21V  
13/04; F21V 14/02; F21V 21/30; F21V  
21/02; F21V 21/04; F21V 9/00; F21V  
29/004; F21V 29/2212; F21V 29/83;  
F21V 7/22; F21V 7/00; F21V 37/002;  
F21S 8/026; F21S 8/04; F21L 19/00;  
A61L 9/037  
See application file for complete search history.

(56) **References Cited**  
U.S. PATENT DOCUMENTS

- D133,214 S 7/1941 Ohm
- D280,025 S \* 8/1985 Waters ..... D26/24
- D424,230 S \* 5/2000 Noh ..... D26/76
- D450,131 S \* 11/2001 Lehrich ..... D24/234
- 6,352,358 B1 \* 3/2002 Lieberman ..... F21V 15/00  
362/294
- D500,884 S 1/2005 O'Rourke
- D507,903 S \* 8/2005 Pingel ..... D6/699.4
- D671,254 S 11/2012 Miyatake
- D686,772 S 7/2013 Waltz et al.

**OTHER PUBLICATIONS**

proximitysystems.com: UV Clean Product Series. Undated online product page. Retrieved on Jul. 8, 2020 from <URL: https://uvclean.proximitysystems.com/product-series/> (Year: 2020).\*

*Primary Examiner* — Sheryl Lane  
*Assistant Examiner* — Stacey L Hopkins  
(74) *Attorney, Agent, or Firm* — Bushman Werner, P.C.

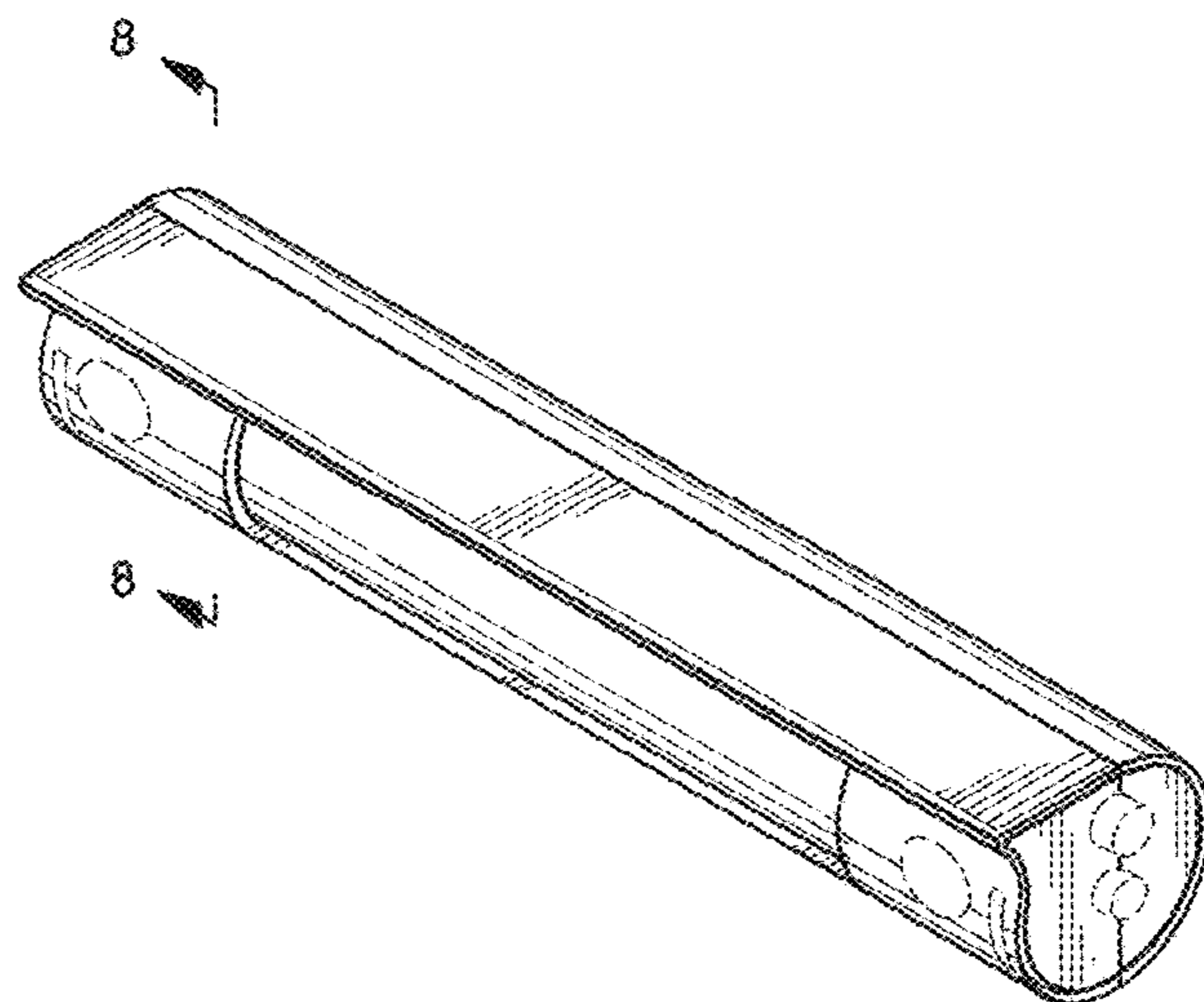
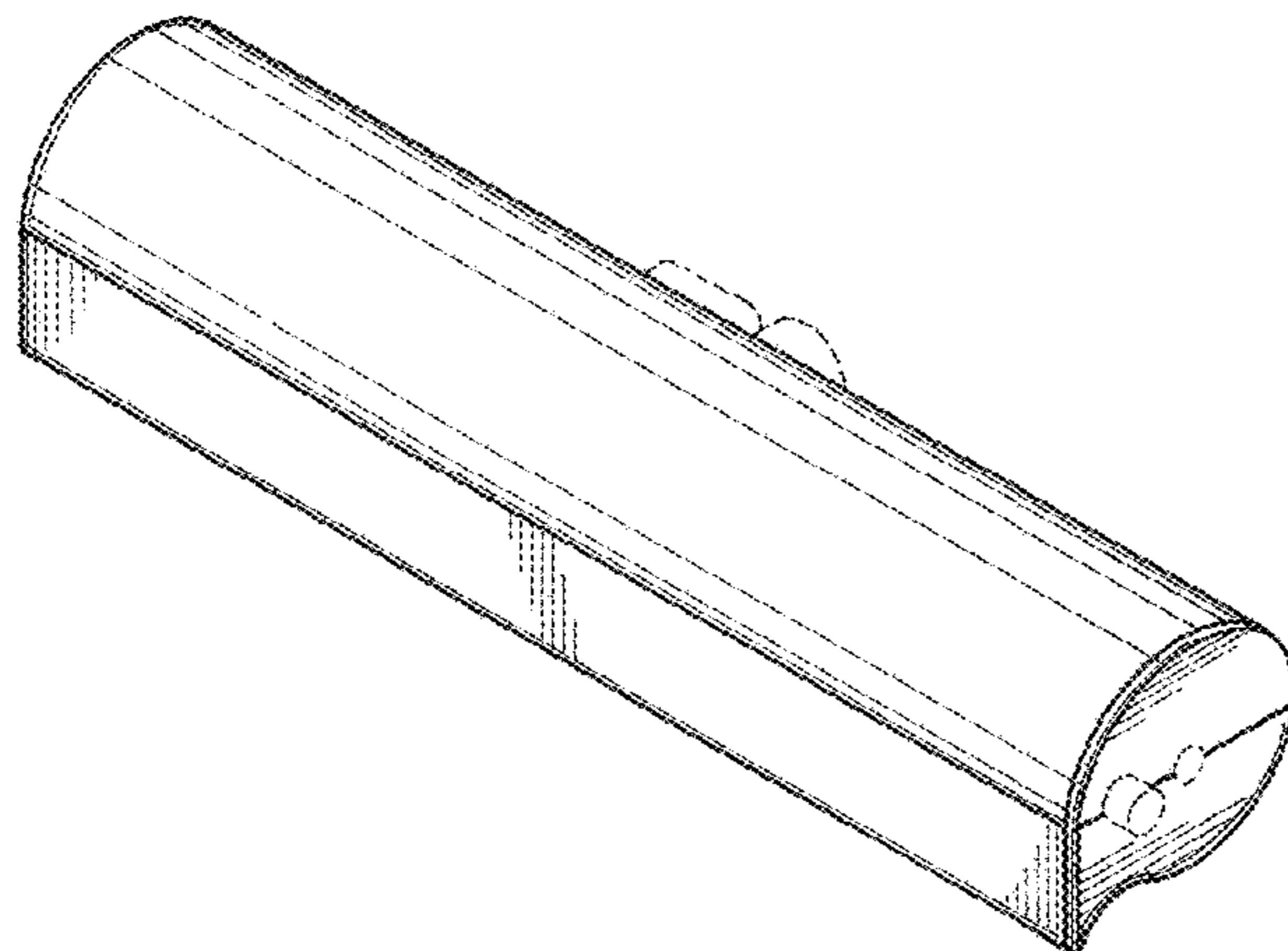
(57) **CLAIM**

The ornamental design for a light enclosure, as shown and described.

**DESCRIPTION**

FIG. 1 is a front perspective view of a light enclosure showing our new design;  
FIG. 2 is a right-side elevational view thereof;  
FIG. 3 is a left-side elevational view thereof;  
FIG. 4 is a front elevational view thereof;  
FIG. 5 is a top plan view thereof;  
FIG. 6 is a rear elevational view thereof;  
FIG. 7 is a bottom plan view thereof;  
FIG. 8 is a cross-sectional view taken along the lines 8-8 of FIG. 9; and,  
FIG. 9 is a bottom perspective view thereof.  
Throughout the drawings the broken lines depict portions of the light enclosure that form no part of the claimed design.

**1 Claim, 3 Drawing Sheets**



(56)

**References Cited**

U.S. PATENT DOCUMENTS

D889,024 S *	6/2020	Deng	.....	D26/118
2013/0062534 A1	3/2013	Cole		
2015/0090903 A1	4/2015	Cole		
2015/0090904 A1	4/2015	Cole		

\* cited by examiner

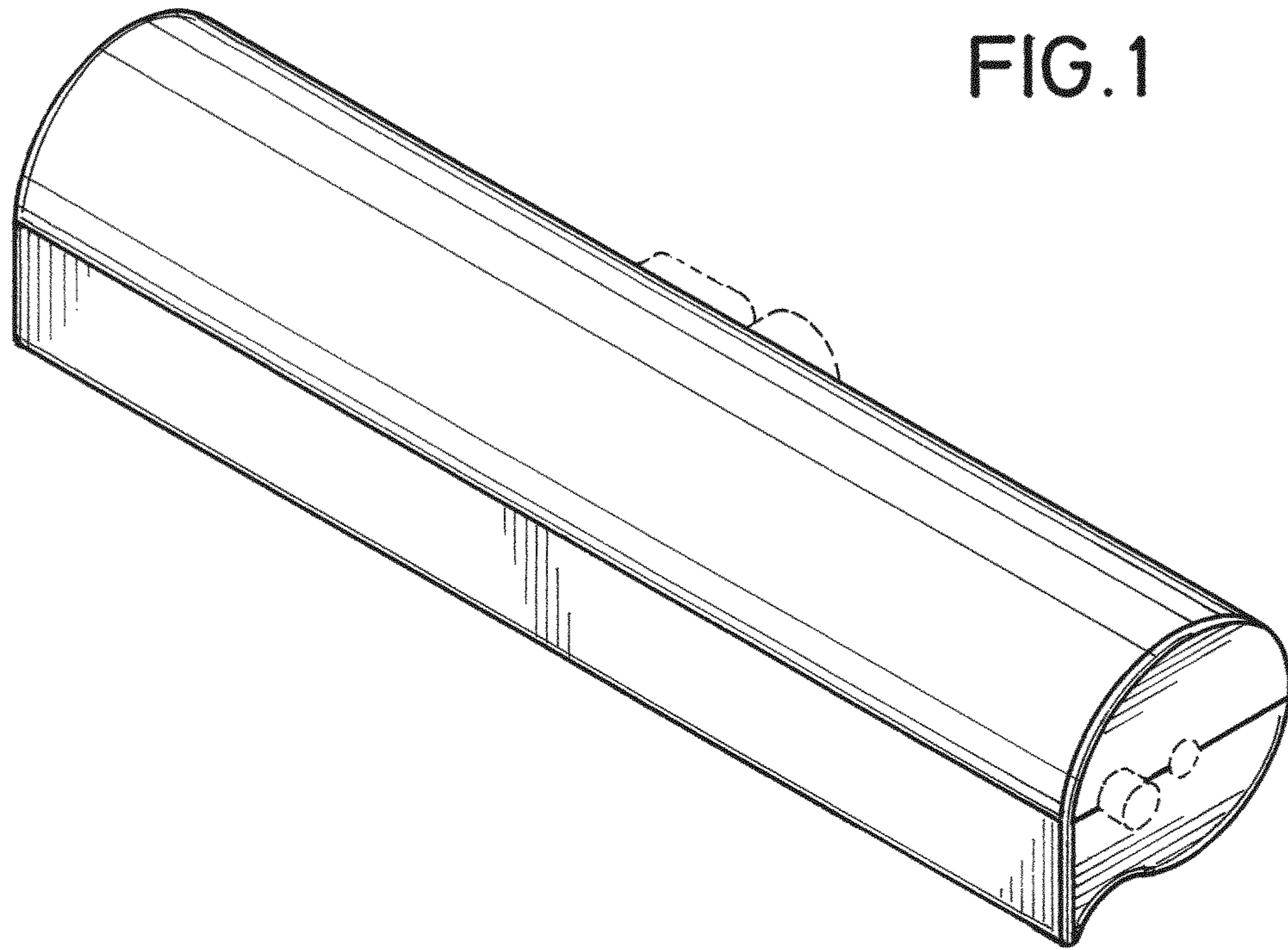


FIG. 2

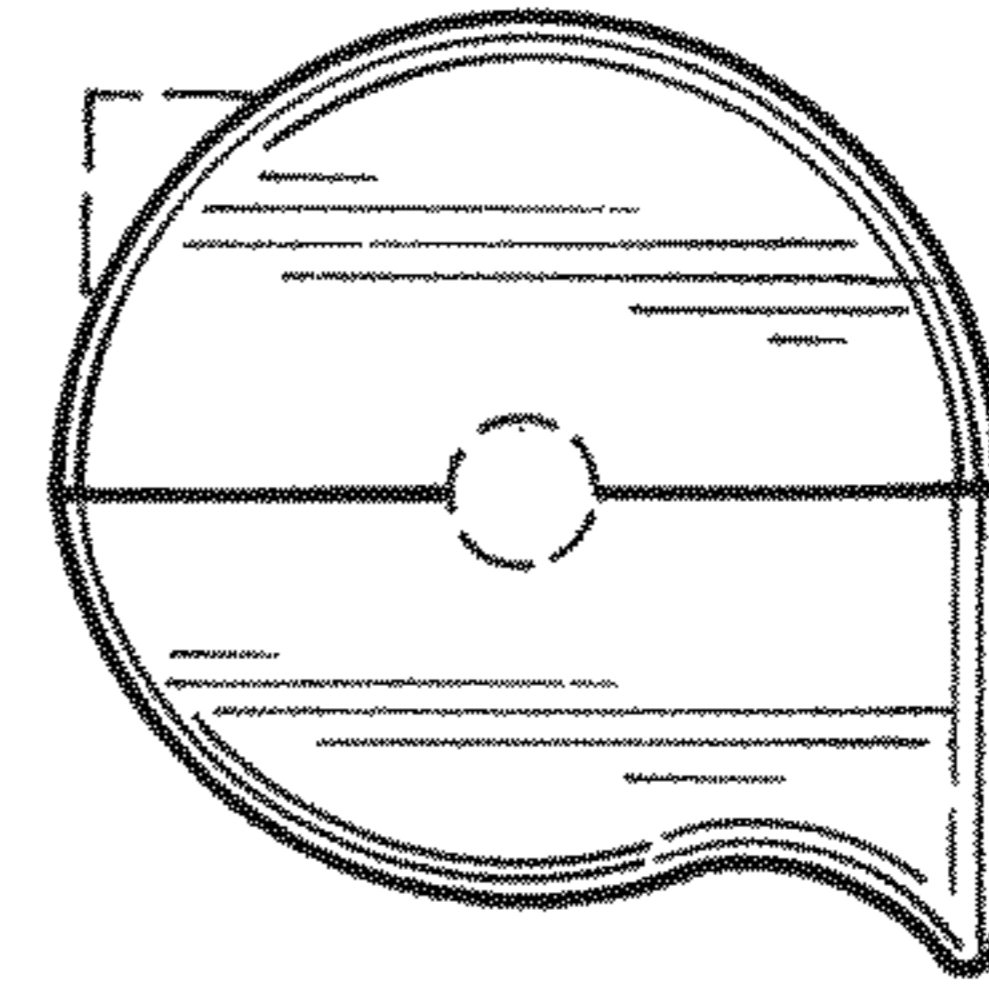
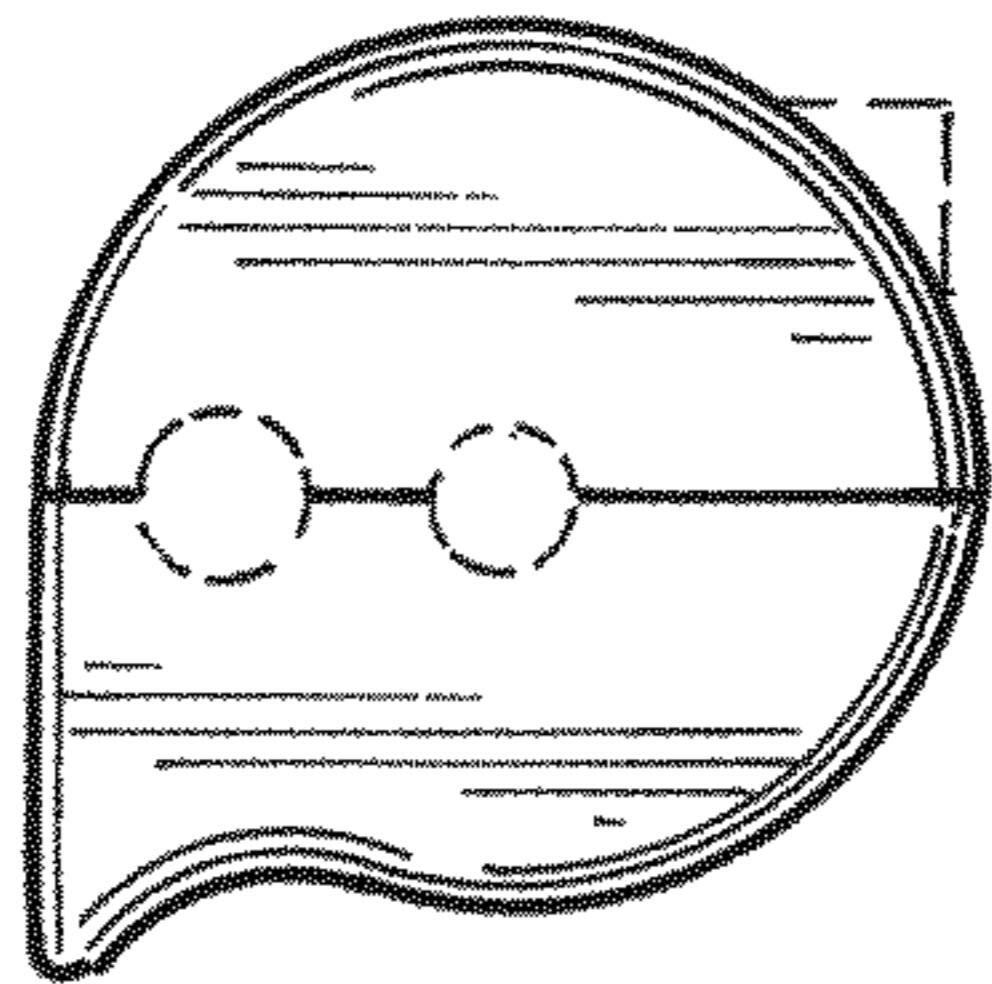


FIG. 3

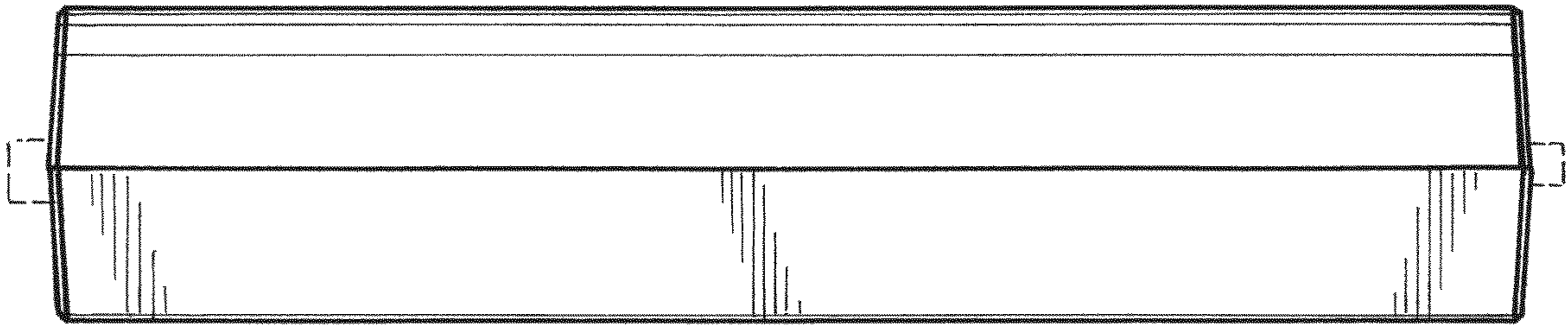


FIG. 4

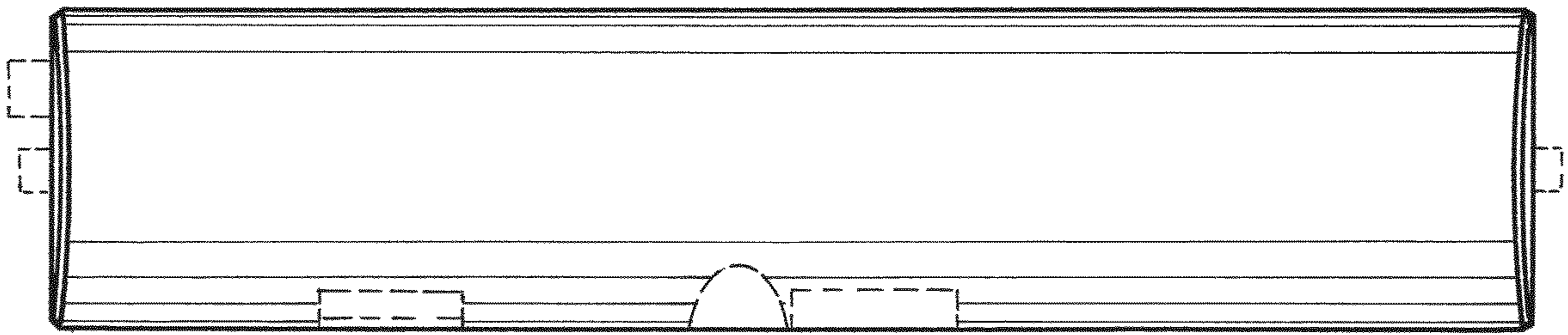


FIG. 5

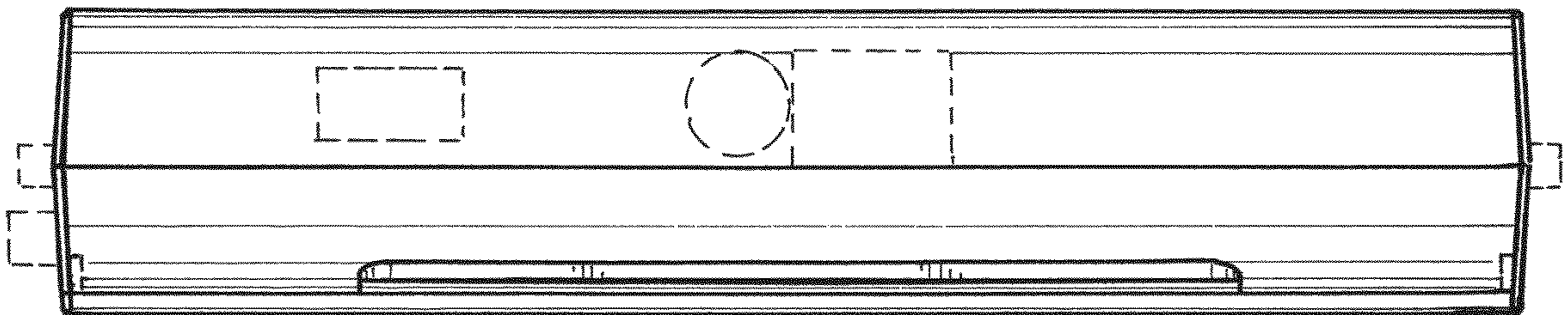


FIG. 6

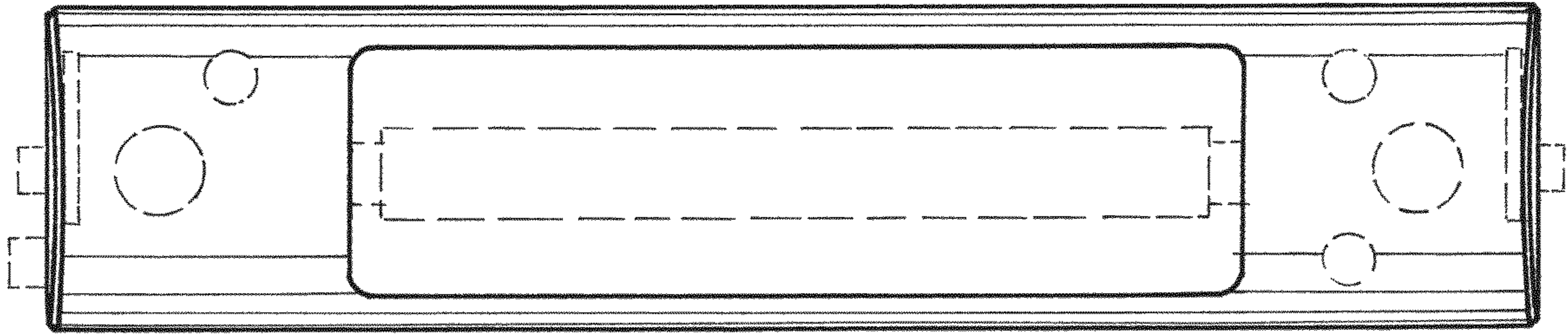


FIG. 7

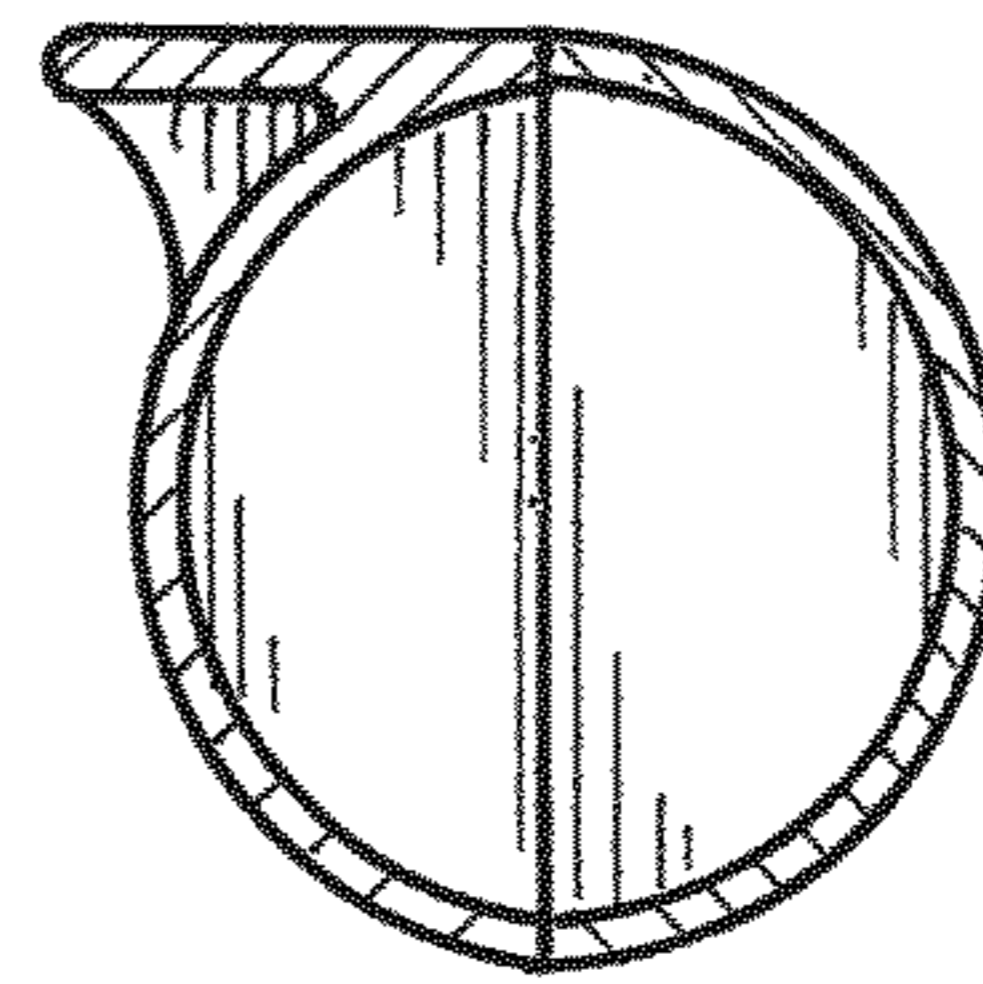


FIG. 8

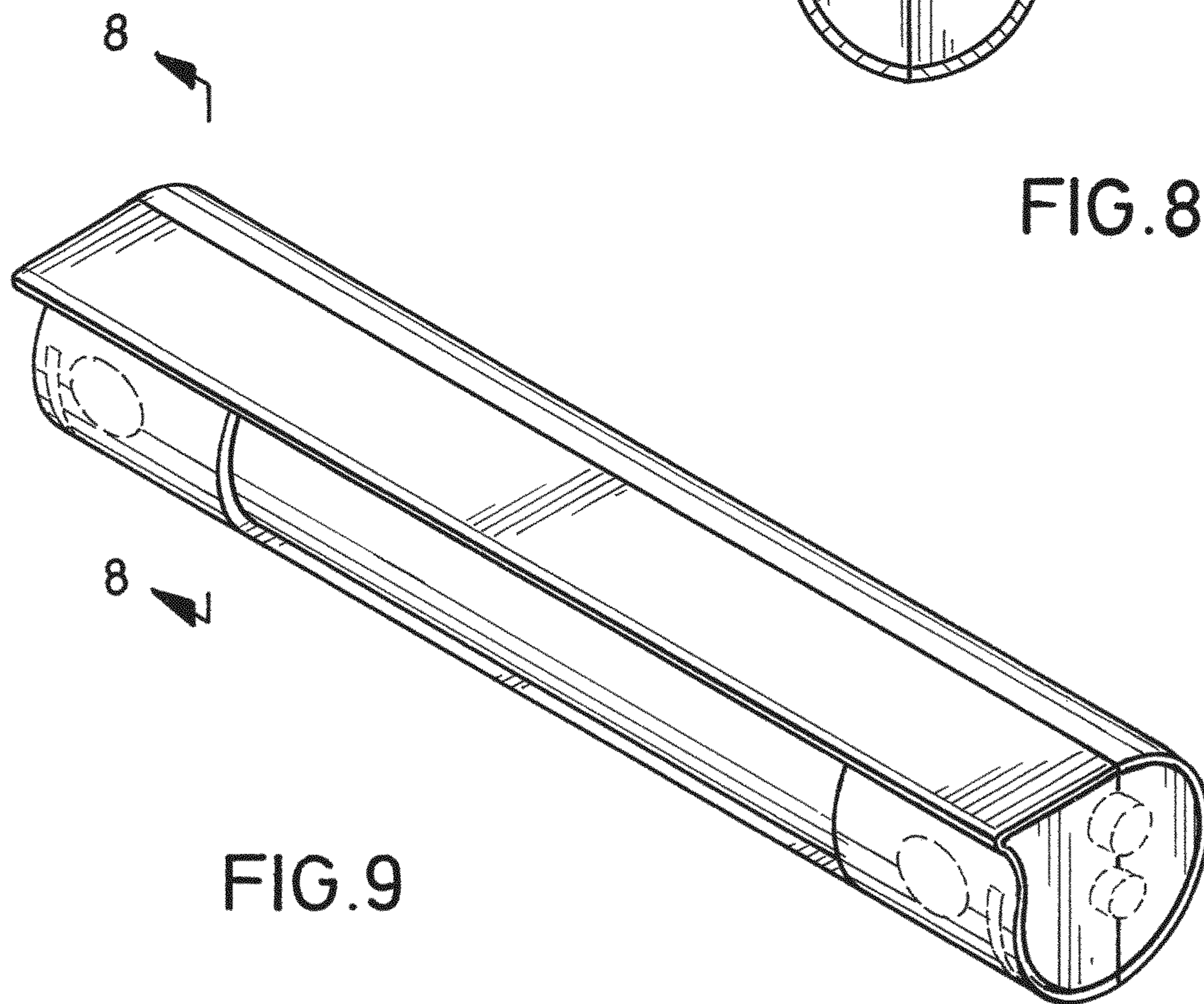


FIG. 9