



US00D907833S

(12) **United States Design Patent** (10) **Patent No.:** **US D907,833 S**
Xie et al. (45) **Date of Patent:** **** Jan. 12, 2021**

(54) **DIRECT-LIT LED LIGHTING FIXTURE**
(71) Applicant: **XIAMEN GUANGPU ELECTRONICS CO., LTD.**, Xiamen (CN)
(72) Inventors: **Zhifu Xie**, Xiamen (CN); **Haiding Su**, Xiamen (CN); **Wenlong Wang**, Xiamen (CN)
(**) Term: **15 Years**

D901,743 S * 11/2020 Wang D26/72
2003/0034062 A1 * 2/2003 Stern H02S 40/42
136/244
2011/0205757 A1 * 8/2011 Whyte G02B 6/0091
362/607

(Continued)

FOREIGN PATENT DOCUMENTS

AU 2015101865 * 8/2016
CA RGN 185030 * 12/2019
CN RGN-305358405 * 9/2019

OTHER PUBLICATIONS

Backlit_LED_60x60_recessed_slim_panel_-_Core_back (available online) Retrieved from the internet Aug. 21, 2020 from URL: https://www.ricomanned.com/wp-content/uploads/2019/04/Core_back.jpg 1.*

(Continued)

Primary Examiner — Kevin K Rudzinski
Assistant Examiner — Richard Kearney
(74) *Attorney, Agent, or Firm* — W&K IP

(21) Appl. No.: **29/684,279**
(22) Filed: **Mar. 20, 2019**
(51) **LOC (13) Cl.** **26-05**
(52) **U.S. Cl.**
USPC **D26/74; D26/80**
(58) **Field of Classification Search**
USPC D26/24, 72, 74, 75–78, 80–92, 118, 120,
D26/122, 142, 149; D13/134;
D10/111–115
CPC F21V 23/003; F21V 23/023; F21V 29/71;
F21V 29/713; F21V 29/717; F21V 29/73;
F21V 29/74; F21V 29/745; F21V 29/75;
F21V 29/76; F21V 5/00; F21V 1/02;
F21Y 2115/10; F21S 8/002; F21S 8/04;
F21S 8/026
See application file for complete search history.

(57) **CLAIM**

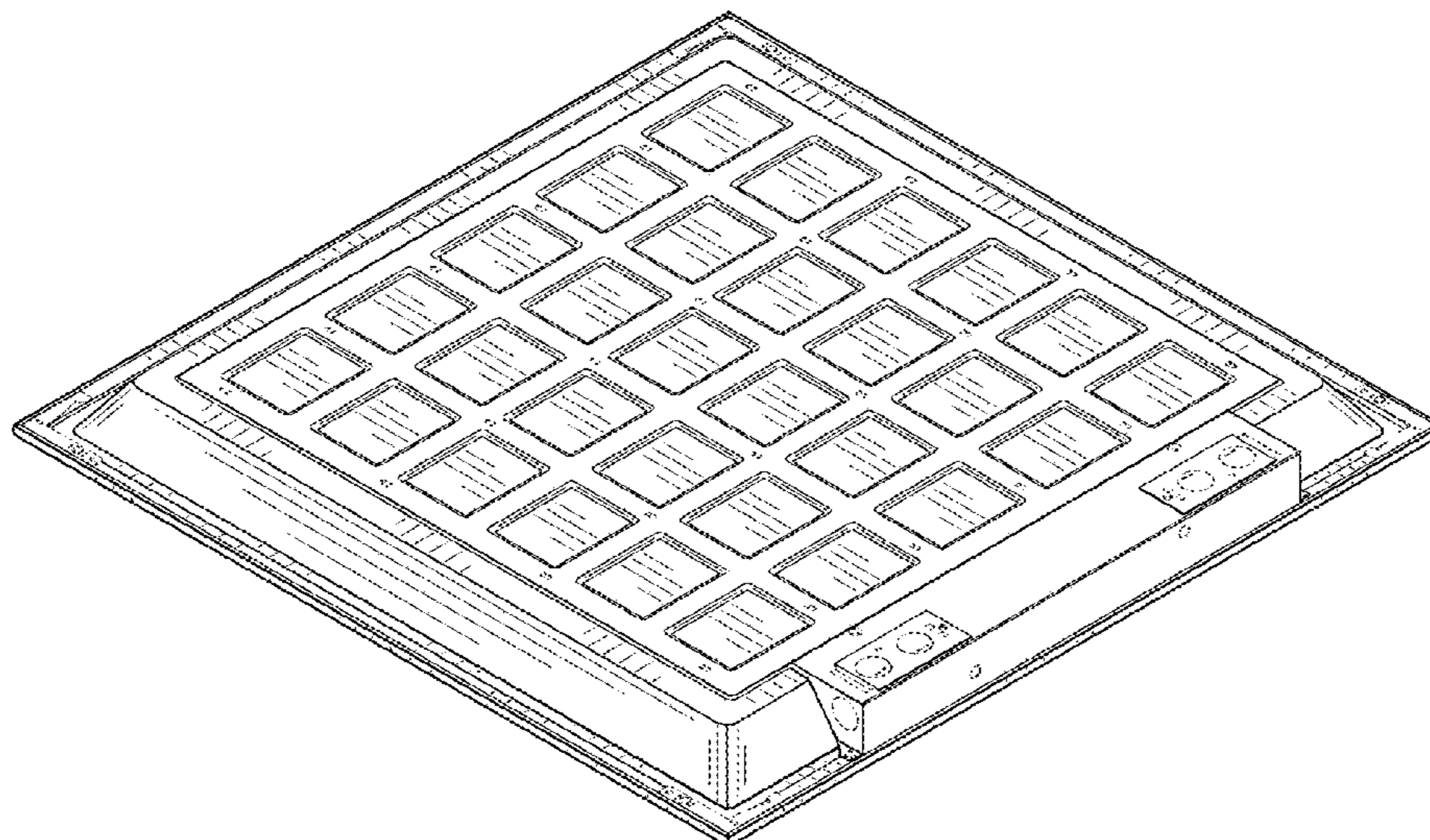
The ornamental design for a direct-lit LED lighting fixture, as shown and described.

DESCRIPTION

FIG. 1 is a perspective view of a direct-lit LED lighting fixture;
FIG. 2 is a front view thereof;
FIG. 3 is a back view thereof;
FIG. 4 is a left side view thereof;
FIG. 5 is a right side view thereof;
FIG. 6 is a top plan view thereof; and,
FIG. 7 is a bottom plan view thereof.
The dashed or broken lines illustrate portions of the drawings that form no part of the claimed design.

(56) **References Cited**
U.S. PATENT DOCUMENTS
D193,575 S * 9/1962 Blitzer D26/76
3,187,176 A * 6/1965 Franck F21V 3/00
362/334
D522,165 S * 5/2006 Hubbell D26/120
D606,703 S * 12/2009 Sugishita D26/120
D677,821 S * 3/2013 Jeon D26/74
9,733,401 B2 * 8/2017 Zhang G02B 30/26
10,039,162 B1 * 7/2018 Guan H05B 45/00
D844,211 S * 3/2019 Straus D26/74
D861,948 S * 10/2019 Xu D26/76
10,711,986 B1 * 7/2020 Yang F21K 9/20

1 Claim, 7 Drawing Sheets



(56)

References Cited

U.S. PATENT DOCUMENTS

2015/0219319 A1* 8/2015 Li F21V 23/008
362/308

OTHER PUBLICATIONS

PL-CK LED 60×60 Oice Ceiling Flat Panel Light (availalbe online)
Retrieved from the internet Aug. 20, 2020 from URL: <https://www.upshine.com/na/panel-lights/pl-ck.html>.*

* cited by examiner

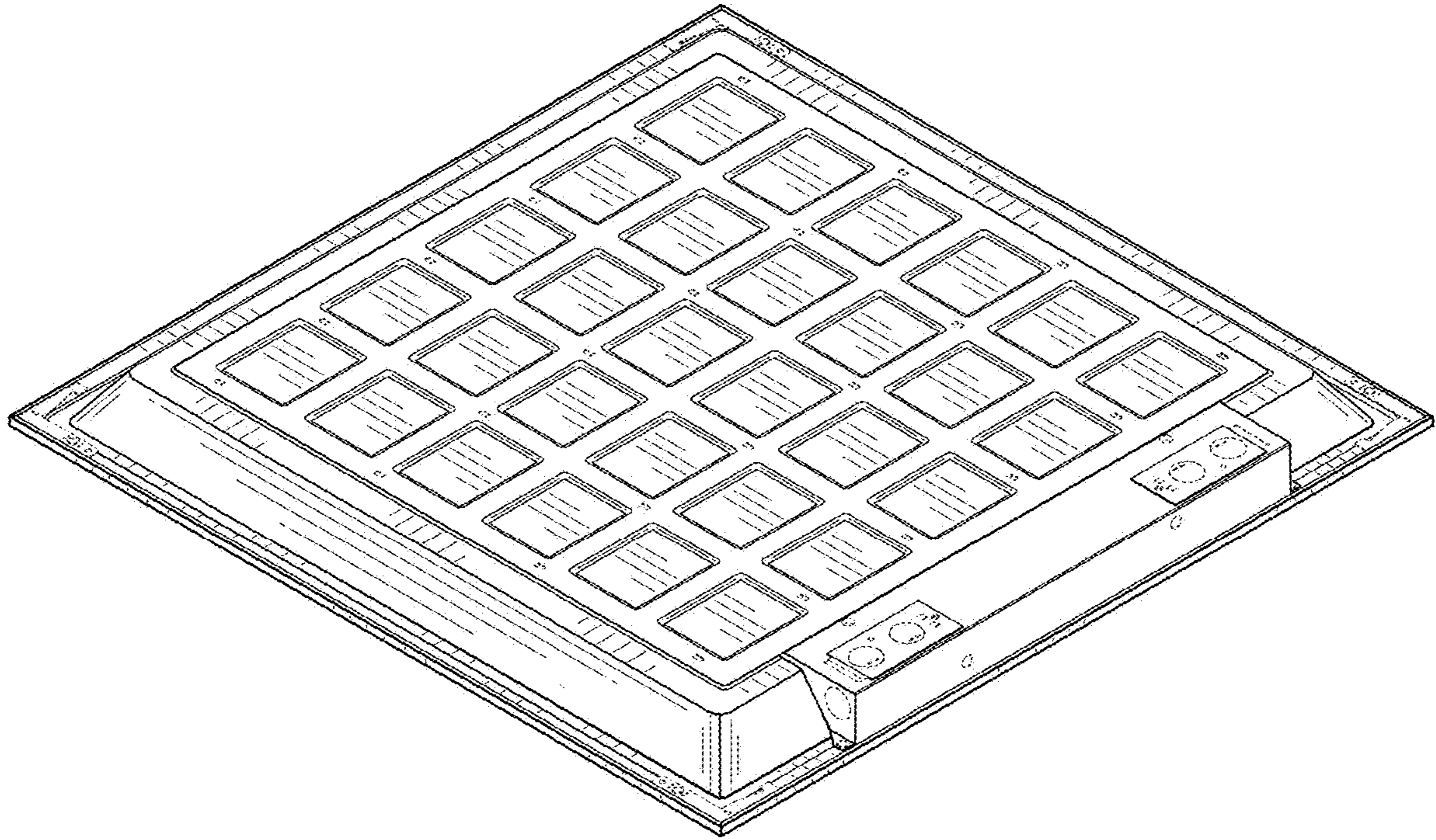


FIG. 1

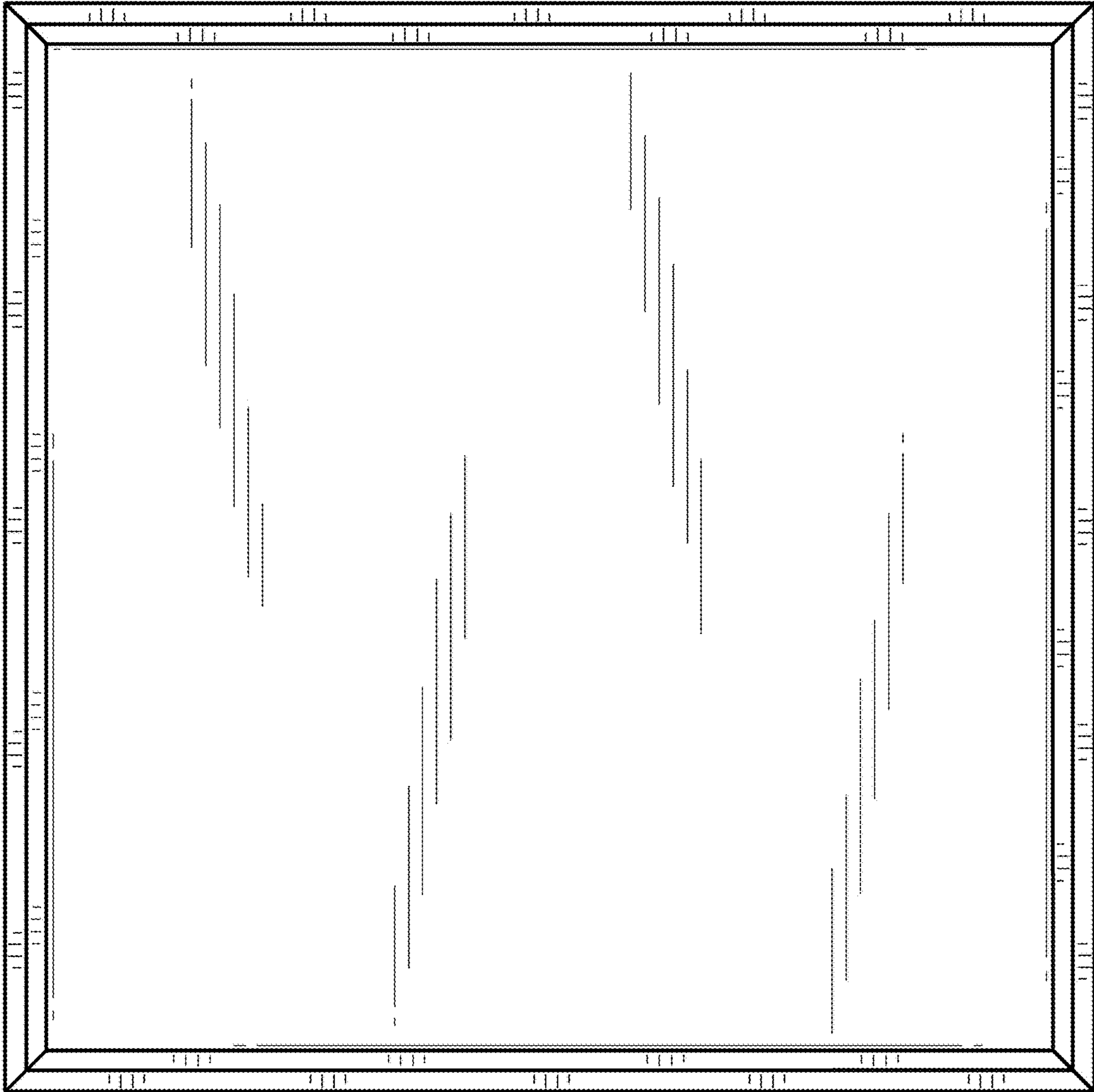


FIG. 2

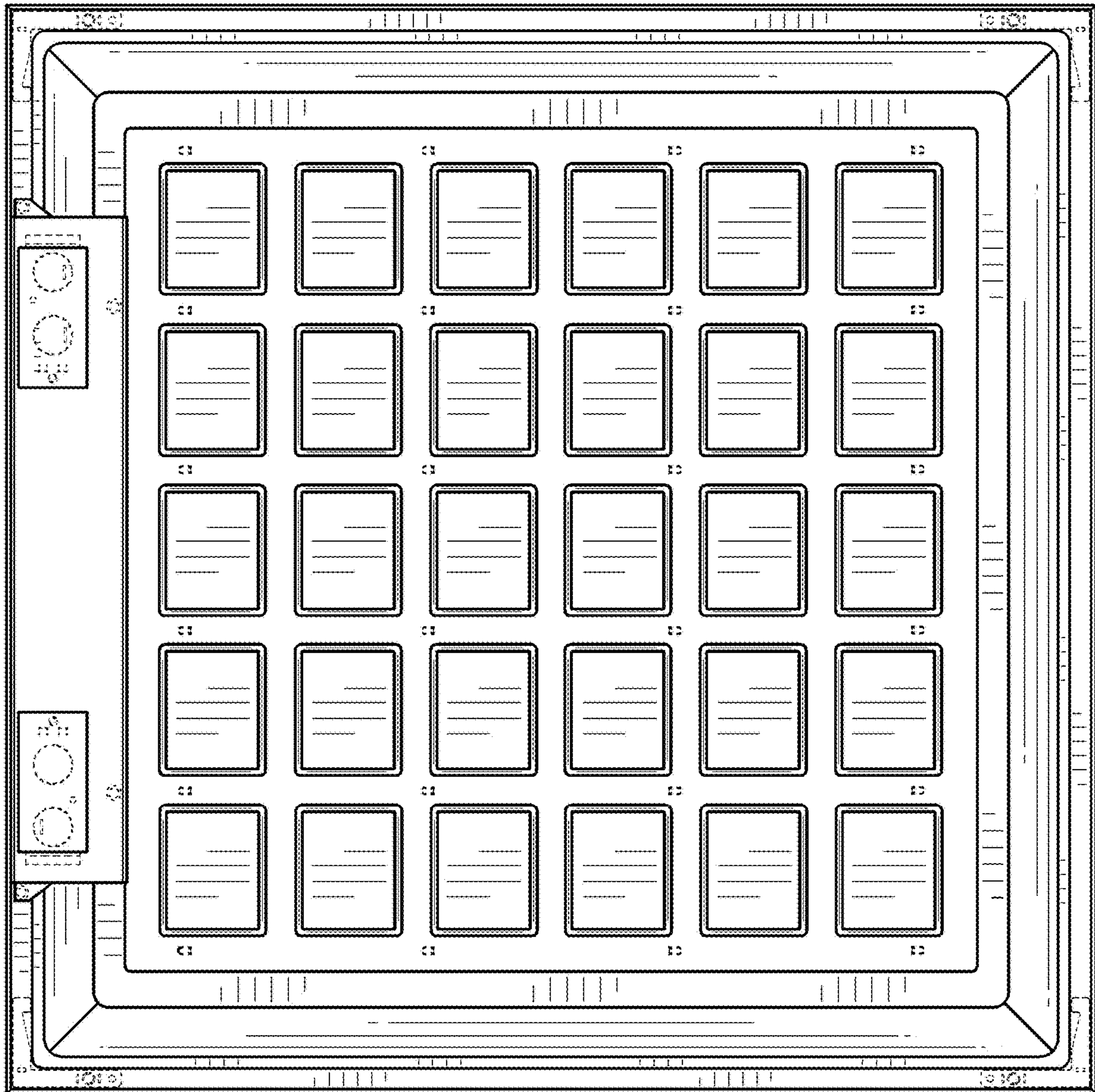


FIG. 3

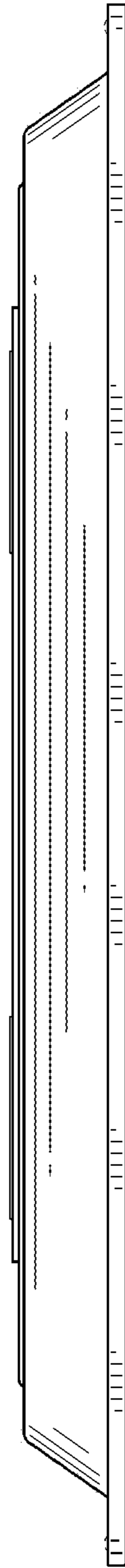


FIG. 4

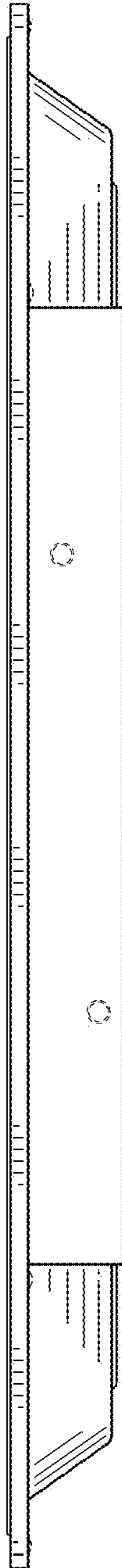


FIG. 5

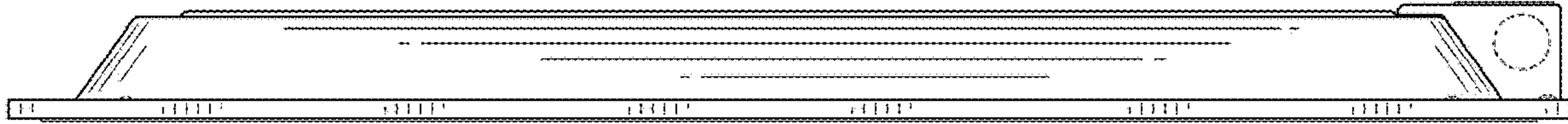


FIG. 6

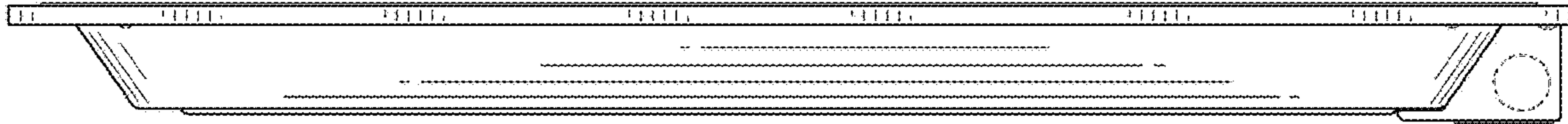


FIG. 7