



US00D907830S

(12) **United States Design Patent** (10) **Patent No.:** **US D907,830 S**  
**Gu** (45) **Date of Patent:** **\*\* Jan. 12, 2021**

(54) **SPOTLIGHT**  
(71) Applicant: **Shenzhen Bling Lighting Technologies Co., Ltd.**, Guangdong (CN)  
(72) Inventor: **Hulin Gu**, Guangdong (CN)  
(73) Assignee: **Shenzhen Bling Lighting Technologies Co., Ltd.**, Guangdong (CN)  
(\*\*) Term: **15 Years**  
(21) Appl. No.: **29/737,966**  
(22) Filed: **Jun. 12, 2020**  
(51) **LOC (13) Cl.** ..... **26-05**  
(52) **U.S. Cl.**  
USPC ..... **D26/63**  
(58) **Field of Classification Search**  
USPC ..... D26/24, 44, 46, 52, 61, 63, 72, 104;  
362/227, 217.1, 217.12, 217.13, 217.16,  
362/217.17, 249.07; D14/155, 250  
CPC ..... F21V 29/74; F21V 29/83; F21V 29/763;  
F21V 15/00; F21V 15/01; F21V 15/04;  
F21V 15/012; F21V 21/06; F21V 21/15;  
F21V 21/30; F21W 2131/10; F21W  
2131/40; F21W 2131/406; F21W  
2131/1005  
See application file for complete search history.

(56) **References Cited**  
U.S. PATENT DOCUMENTS  
3,578,965 A \* 5/1971 Tawil ..... F21V 7/18  
362/283  
D685,757 S \* 7/2013 Liu ..... D14/155  
8,562,174 B2 \* 10/2013 Pickholz ..... F21V 5/04  
362/235  
D711,848 S \* 8/2014 Liu ..... D14/155  
D712,581 S \* 9/2014 Scarlata ..... D26/65  
D747,526 S \* 1/2016 Zhang ..... D26/63

D757,976 S \* 5/2016 Eustace ..... D26/63  
D761,473 S \* 7/2016 Zhang ..... D26/63  
D779,097 S \* 2/2017 Xu ..... D26/63  
D797,334 S 9/2017 Inskeep  
D797,338 S \* 9/2017 Wang ..... D26/63  
D797,339 S \* 9/2017 Wang ..... D26/63  
D799,094 S \* 10/2017 Li ..... D26/63  
D803,449 S \* 11/2017 Xu ..... D26/63  
D833,049 S 11/2018 Yu et al.  
D834,231 S \* 11/2018 Yu ..... D26/63  
D855,856 S 8/2019 Du et al.  
D867,322 S \* 11/2019 Yan ..... D14/155  
D874,702 S \* 2/2020 Huang ..... D26/63  
D877,951 S \* 3/2020 Huang ..... D26/63  
D887,609 S \* 6/2020 Wu ..... D26/63  
D893,788 S \* 8/2020 Li ..... D26/63  
D898,969 S \* 10/2020 Chen ..... D26/63  
D898,970 S \* 10/2020 Chen ..... D26/63

(Continued)

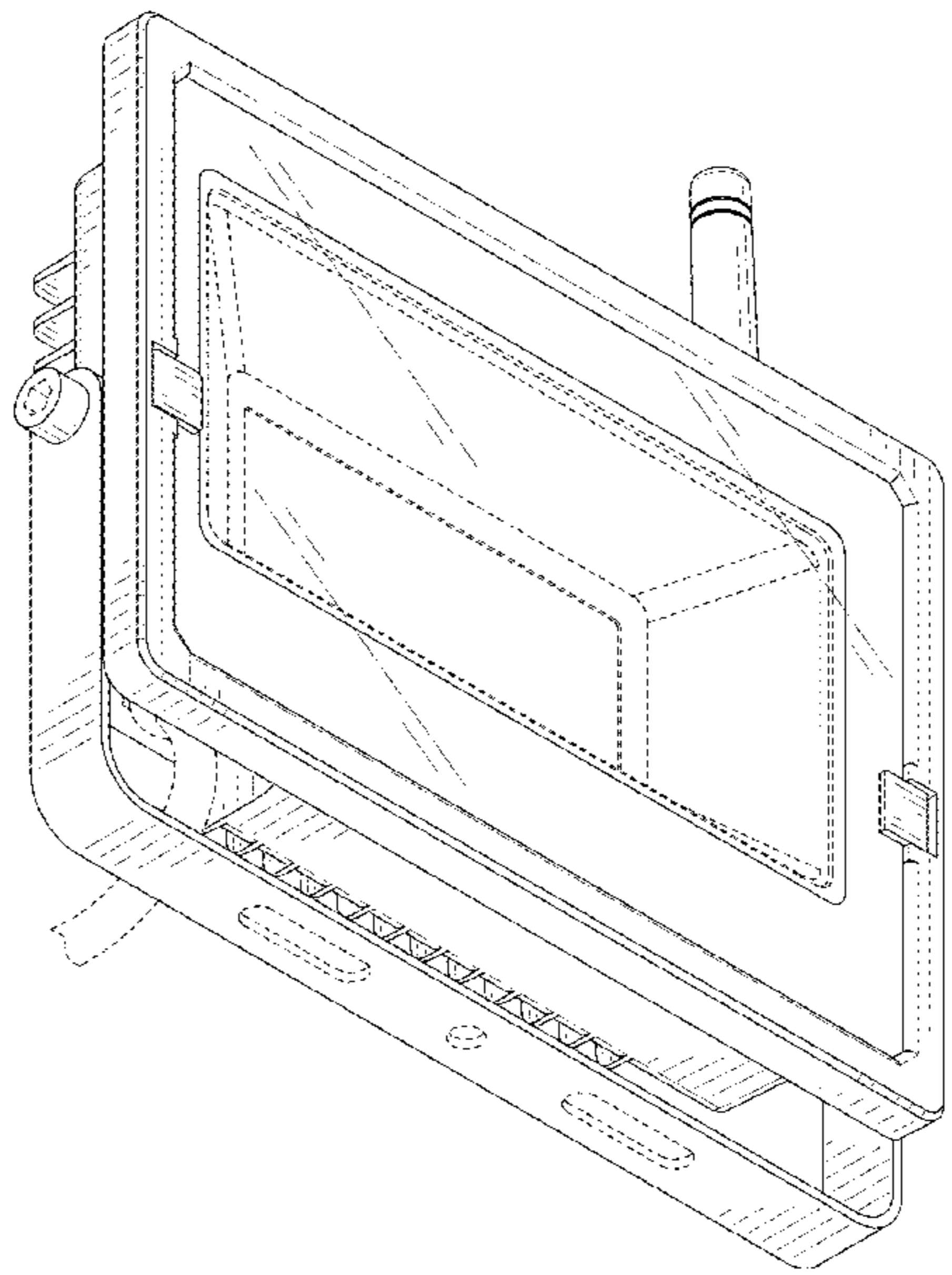
*Primary Examiner* — Wan Laymon  
*Assistant Examiner* — Clint A Samuel  
(74) *Attorney, Agent, or Firm* — ScienBiziP, P.C.

(57) **CLAIM**  
The ornamental design for a spotlight, as shown and described.

**DESCRIPTION**

FIG. 1 is a front and left perspective view of a spotlight, showing my design.  
FIG. 2 is a rear and right perspective view thereof.  
FIG. 3 is a front elevation view thereof.  
FIG. 4 is a rear elevation view thereof.  
FIG. 5 is a left side elevation view thereof.  
FIG. 6 is a right side elevation view thereof.  
FIG. 7 is a top plan view thereof; and,  
FIG. 8 is a bottom plan view thereof.  
The broken lines shown in drawings are included for the purpose of illustrating portions and environmental elements of the spotlight, and form no part of the claimed design.

**1 Claim, 8 Drawing Sheets**



(56)

**References Cited**

U.S. PATENT DOCUMENTS

D901,055 S \* 11/2020 Zeng ..... D26/63  
2011/0110081 A1 \* 5/2011 Belknap ..... F21V 11/14  
362/235  
2012/0293989 A1 \* 11/2012 Duan ..... F21V 17/10  
362/218  
2014/0247590 A1 \* 9/2014 Wilcox ..... H05B 45/46  
362/231  
2015/0345770 A1 \* 12/2015 Badley ..... F21V 23/009  
362/373  
2017/0248300 A1 \* 8/2017 Badley ..... F21V 23/008  
2019/0178486 A1 \* 6/2019 Chen ..... F21V 29/713

\* cited by examiner

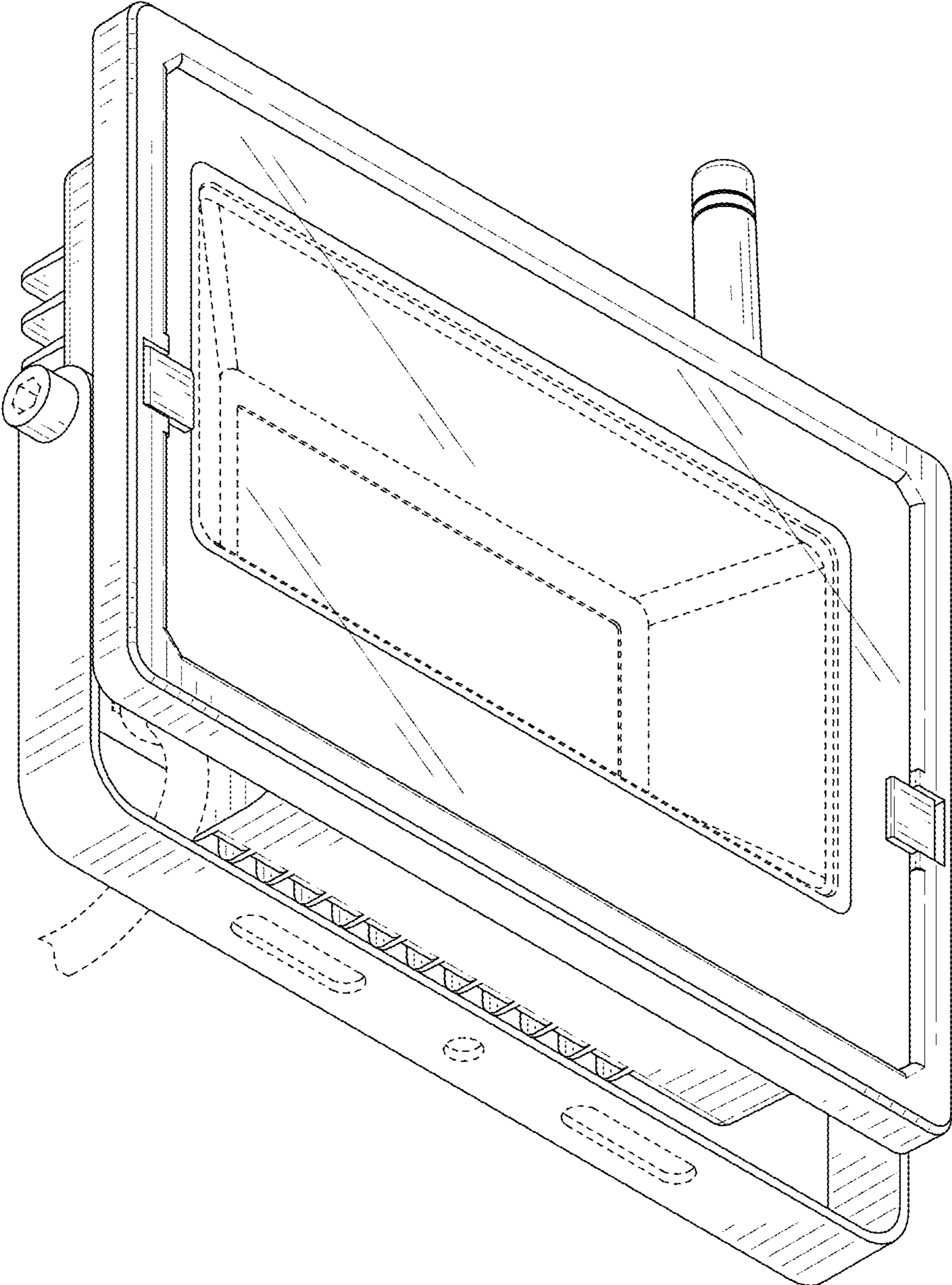


FIG. 1

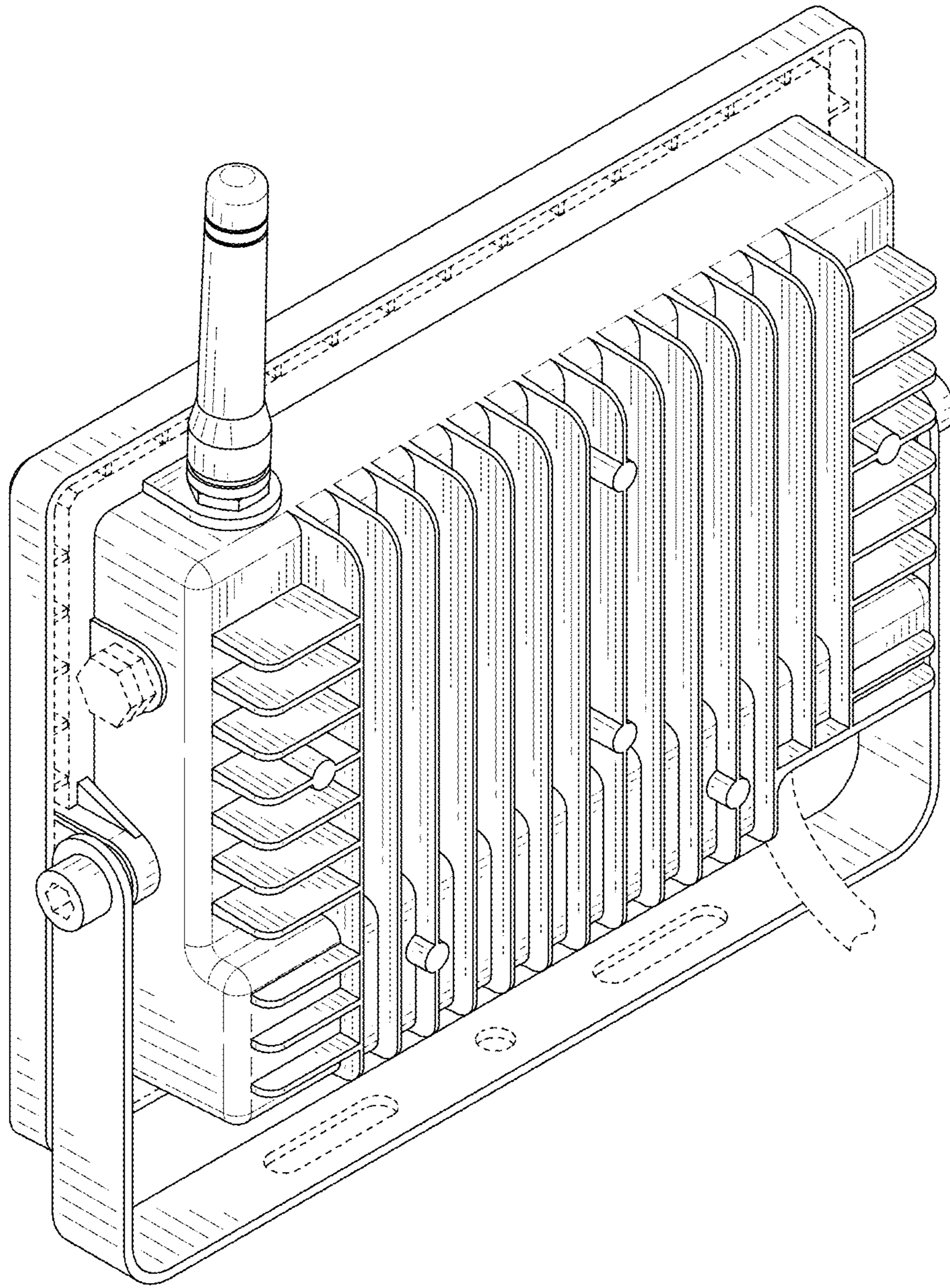


FIG. 2

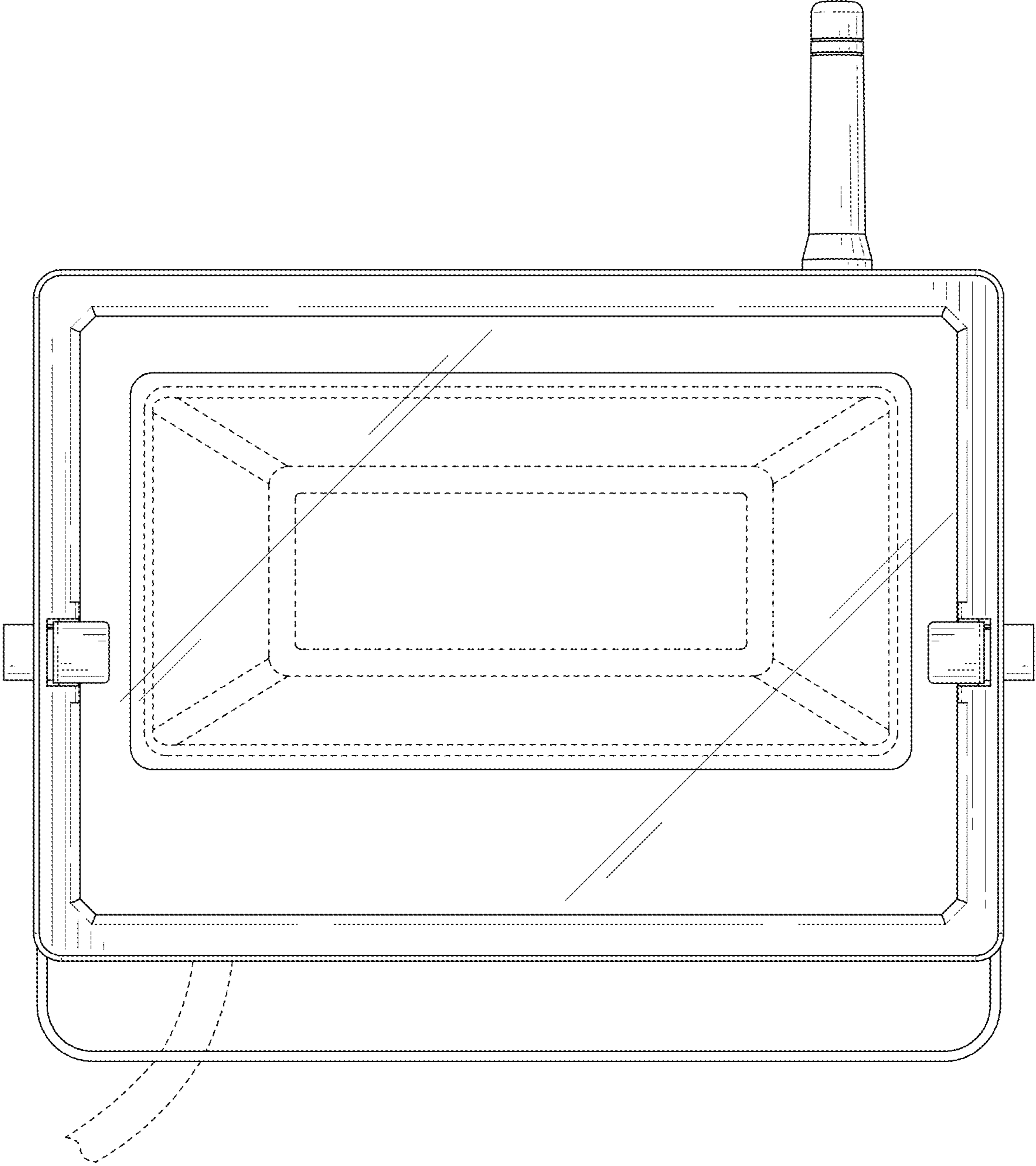


FIG. 3

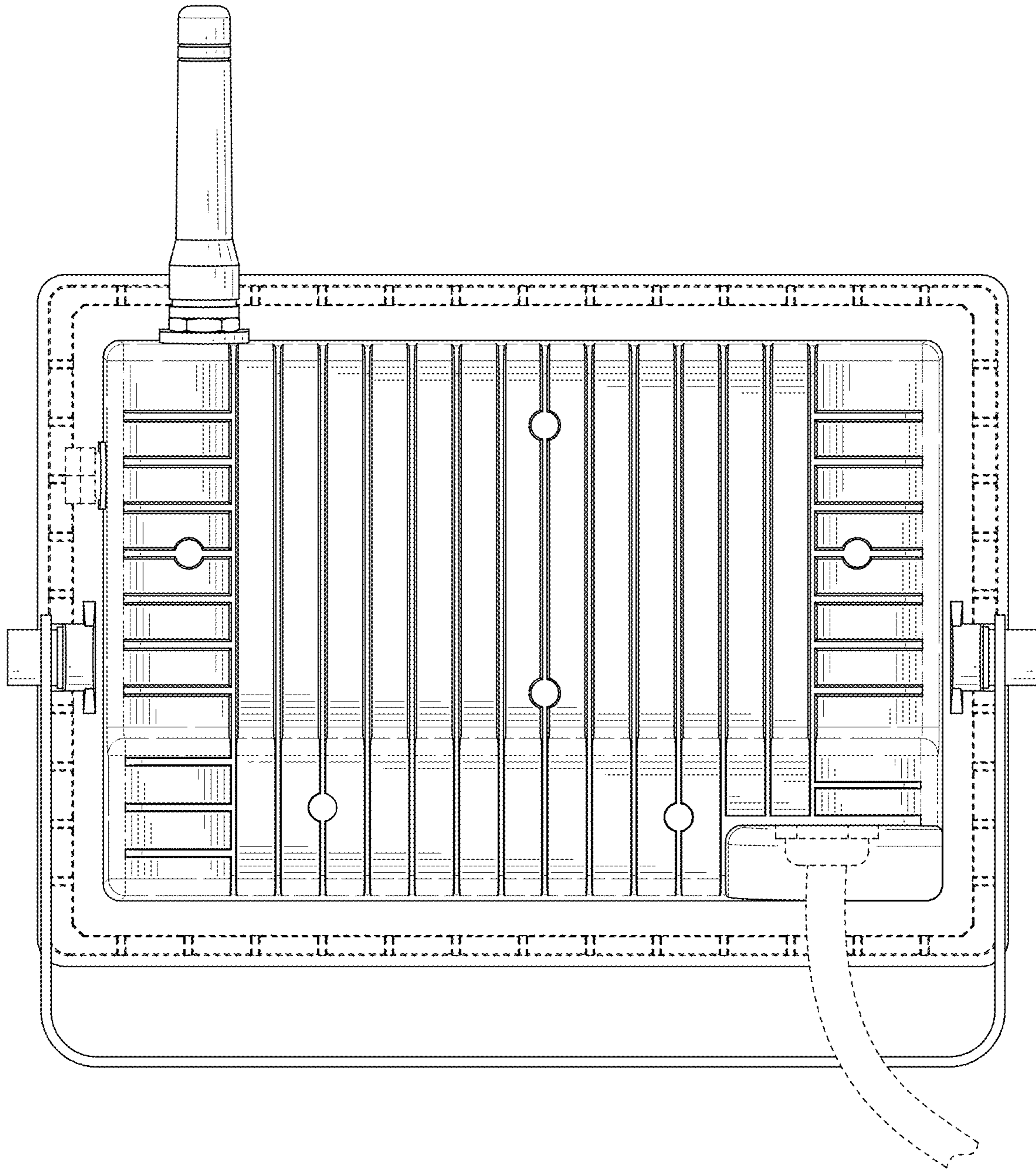


FIG. 4

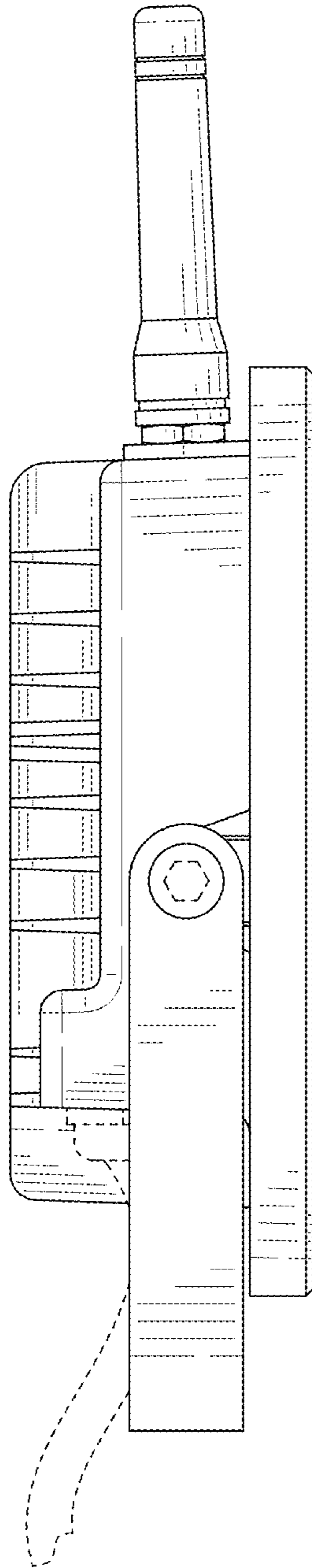


FIG. 5

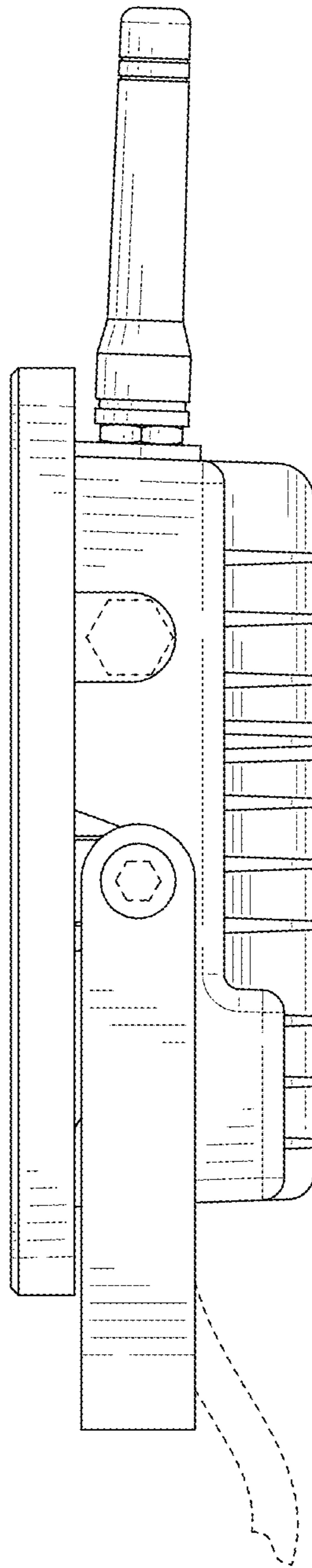


FIG. 6



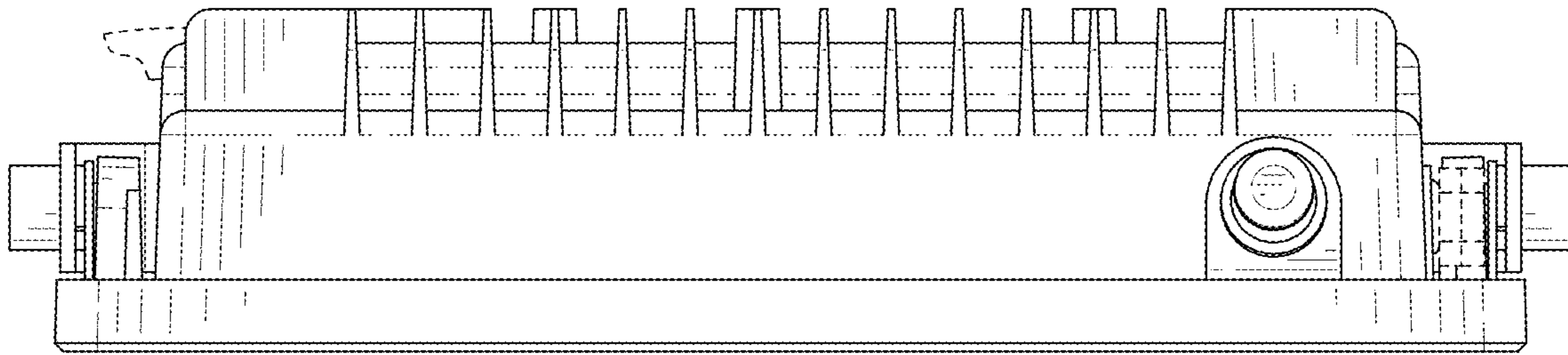


FIG. 7

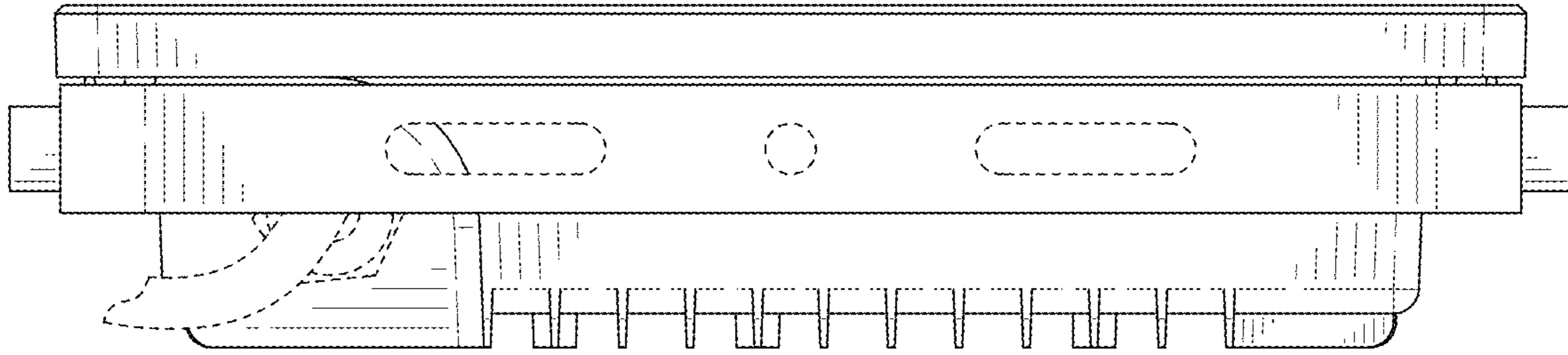


FIG. 8