



US00D907829S

(12) **United States Design Patent**
Rajasekaran

(10) **Patent No.:** **US D907,829 S**
(45) **Date of Patent:** **** Jan. 12, 2021**

- (54) **FLEXIBLE LIGHT**
- (71) Applicant: **E. MISHAN & SONS, INC.**, New York, NY (US)
- (72) Inventor: **Mohan Rajasekaran**, Briston, CT (US)
- (73) Assignee: **E. MISHAN & SONS, INC.**, New York, NY (US)
- (**) Term: **15 Years**
- (21) Appl. No.: **29/716,709**
- (22) Filed: **Dec. 11, 2019**
- (51) **LOC (13) Cl.** **26-03**
- (52) **U.S. Cl.**
USPC **D26/63**
- (58) **Field of Classification Search**
USPC D26/25, 63, 65, 61
CPC F21S 8/04; F21S 8/00; F21S 8/036; F21S 8/038; F21S 8/043; F21S 8/081; F21S 8/083; F21S 8/085; F21S 8/086; F21S 8/088; F21S 13/10; F21S 9/03; F21S 9/035; F21S 9/037; F21S 6/003; F21V 21/00; F21V 17/02; F21V 14/02; F21V 21/30; F21V 21/14; F21V 21/26; F21W 2131/10

See application file for complete search history.

8,109,660 B2	2/2012	Hochstein et al.	
8,534,884 B2	9/2013	Lui	
8,845,132 B2	9/2014	Flaherty et al.	
8,882,297 B2	11/2014	Flaherty et al.	
D734,880 S	7/2015	Yang	
9,328,911 B2	5/2016	Chen et al.	
9,464,790 B2	10/2016	Badley et al.	
9,651,226 B2	5/2017	Badley	
9,732,951 B2	8/2017	Guercio et al.	
9,897,302 B2	2/2018	Flaherty et al.	
9,951,931 B1	4/2018	Lan	
9,951,939 B1	4/2018	Lan	
10,161,575 B2	12/2018	Xiong et al.	
D840,089 S	2/2019	Deng	
10,274,172 B1	4/2019	Chiu et al.	
D850,693 S	6/2019	Pan	
D850,694 S	6/2019	Pan	
D853,018 S	7/2019	Chen et al.	
D853,019 S	7/2019	Chen et al.	
D854,231 S	7/2019	Chen et al.	
D861,926 S *	10/2019	Lin	D26/2
D863,659 S	10/2019	Chen et al.	
10,487,989 B2	11/2019	Cao et al.	

(Continued)

Primary Examiner — Brian N. Vinson
(74) *Attorney, Agent, or Firm* — Notaro, Michalos & Zaccaria P.C.

(57) **CLAIM**

The ornamental design for a flexible light, as shown and described.

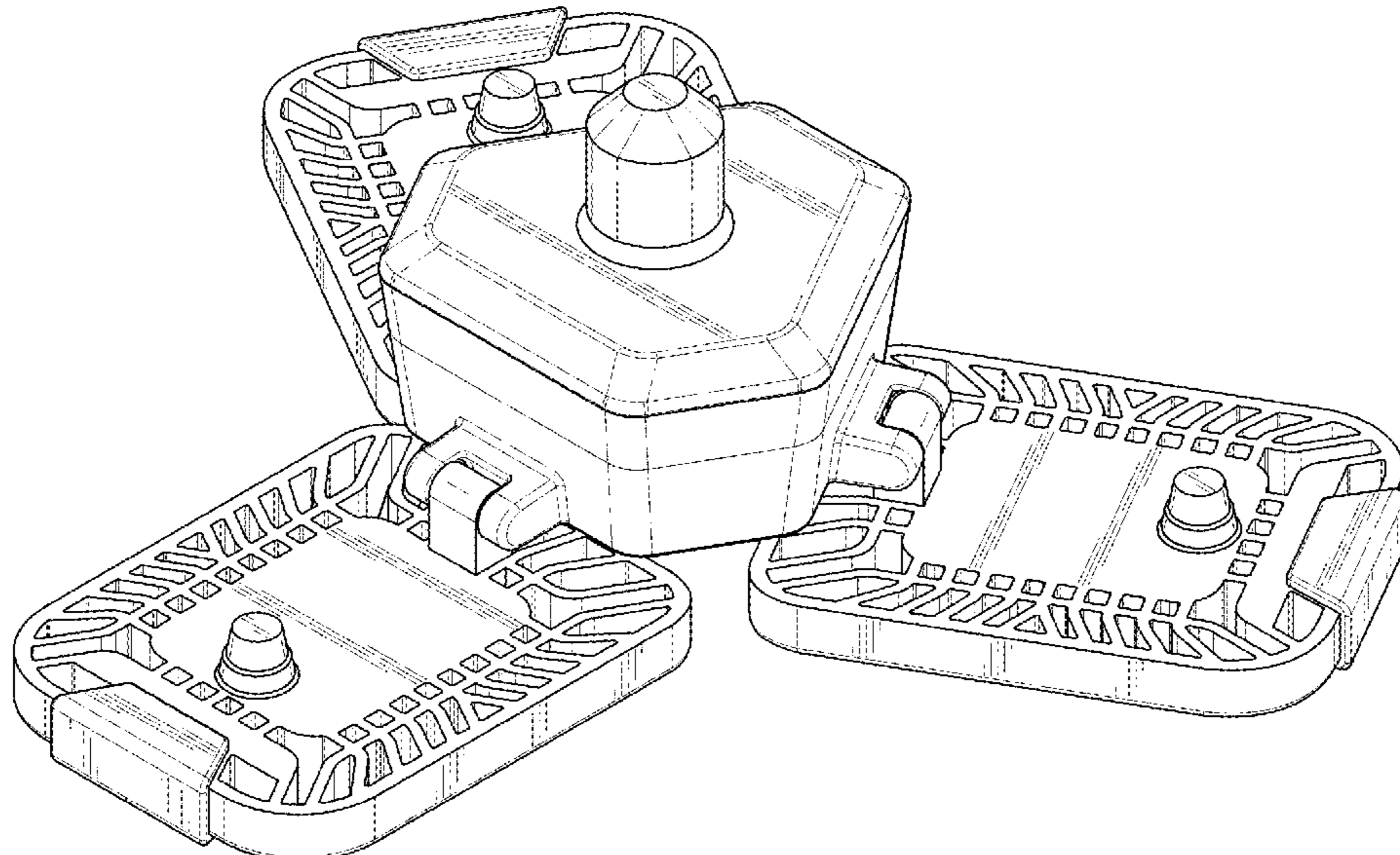
DESCRIPTION

FIG. 1 is a top, front, right perspective view of a flexible light showing my design therefor;
FIG. 2 is a rear elevational view thereof;
FIG. 3 is a front elevational view thereof;
FIG. 4 is a front, right perspective view thereof;
FIG. 5 is a front, left perspective view thereof;
FIG. 6 is a top plan view thereof; and,
FIG. 7 is a bottom plan view thereof.

1 Claim, 7 Drawing Sheets

(56) **References Cited**
U.S. PATENT DOCUMENTS

7,131,753 B1	11/2006	Edwards, Jr.
7,407,304 B2	8/2008	Tasson et al.
D578,695 S	10/2008	Zheng et al.
D578,696 S	10/2008	Wang et al.
7,556,398 B2	7/2009	Van Der Poel
D607,593 S	1/2010	Yoo
8,047,682 B2	11/2011	Zheng et al.
8,072,123 B1	12/2011	Han
8,092,047 B2	1/2012	Ma et al.



(56)

References Cited

U.S. PATENT DOCUMENTS

D869,064	S	12/2019	Chen et al.	
D879,349	S *	3/2020	Li	D26/63
D882,851	S *	4/2020	Deng	D26/63
D886,353	S *	6/2020	Du	D26/63
D895,170	S *	9/2020	Zhang	D26/2
2004/0114367	A1	6/2004	Li	
2011/0032696	A1	2/2011	Kim et al.	
2011/0051434	A1	3/2011	Lin	
2011/0133670	A1	6/2011	Lee et al.	
2011/0170288	A1	7/2011	Kim	
2014/0307431	A1	10/2014	Santashev et al.	
2017/0299151	A1	10/2017	Luo	
2018/0010776	A1	1/2018	Shim	

* cited by examiner

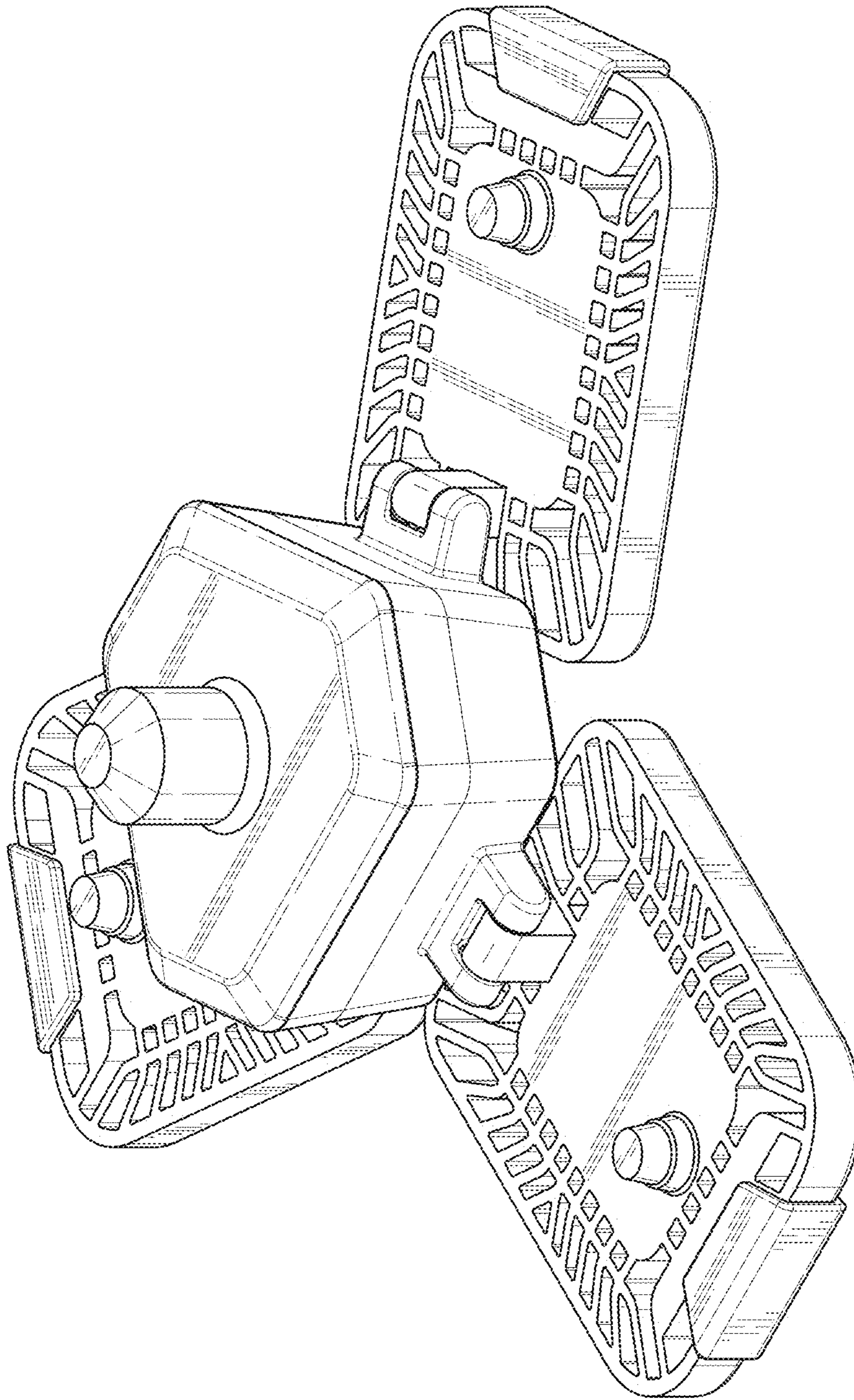


FIG. 1

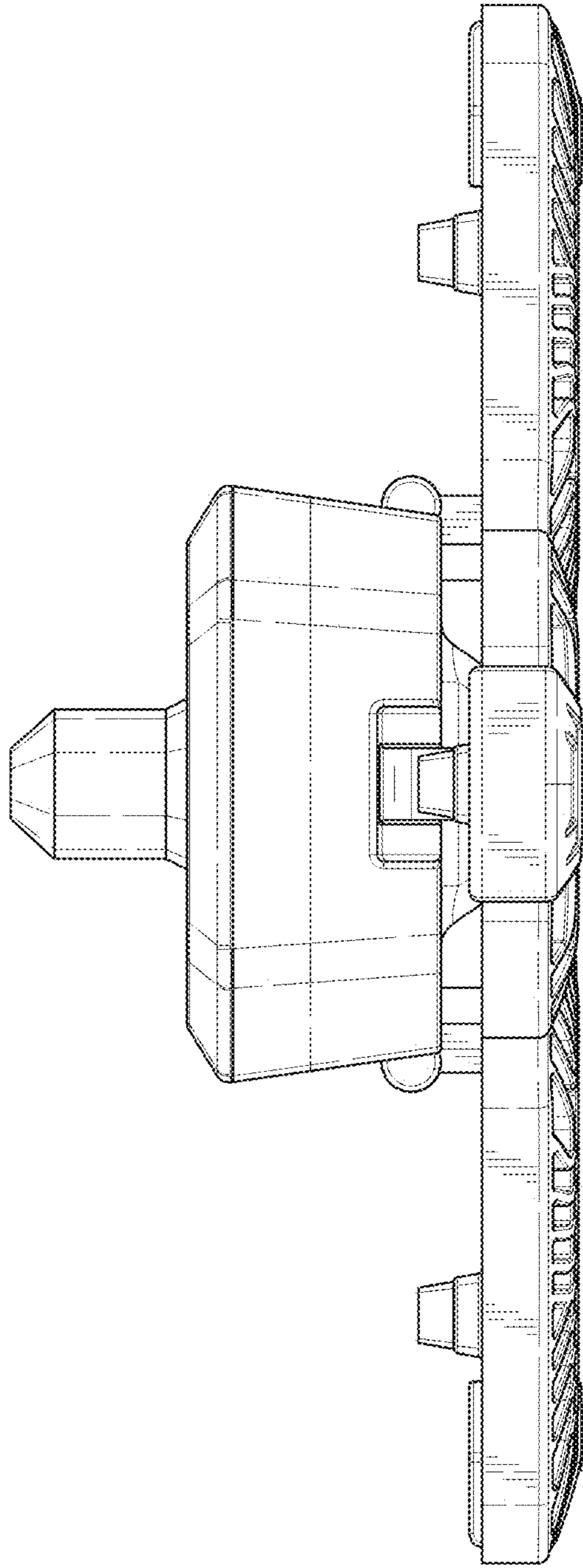


FIG. 2

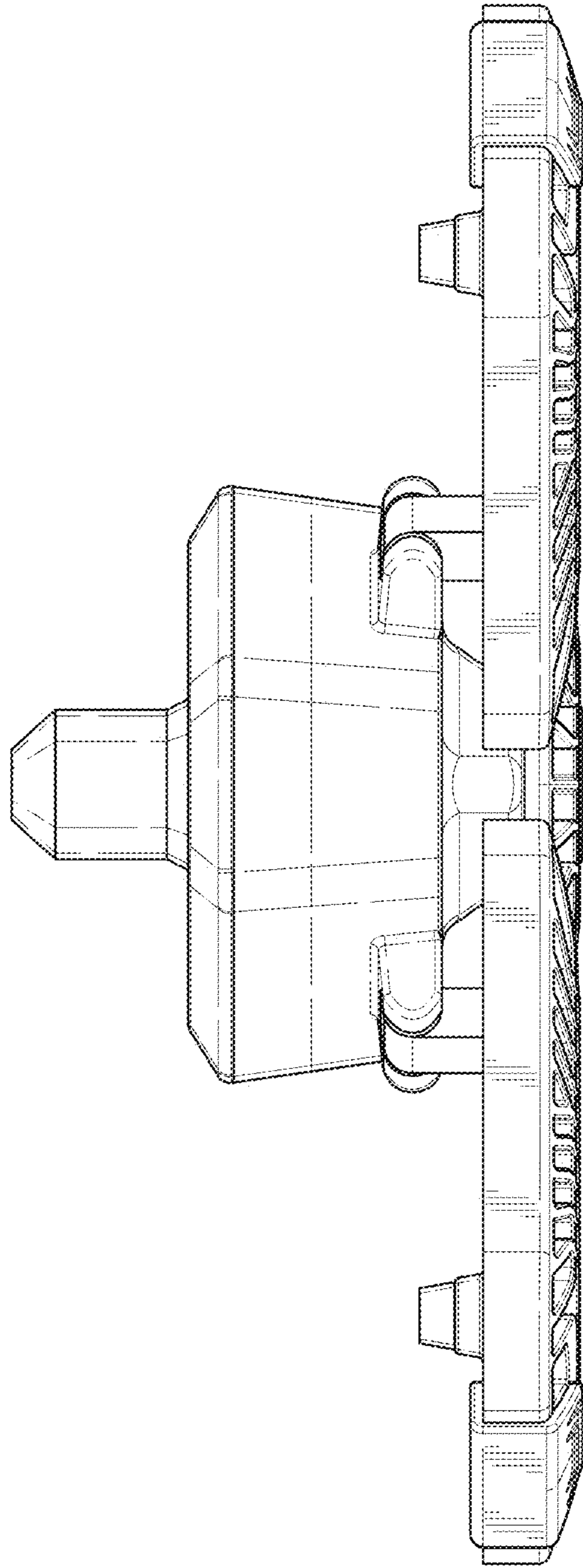


FIG. 3

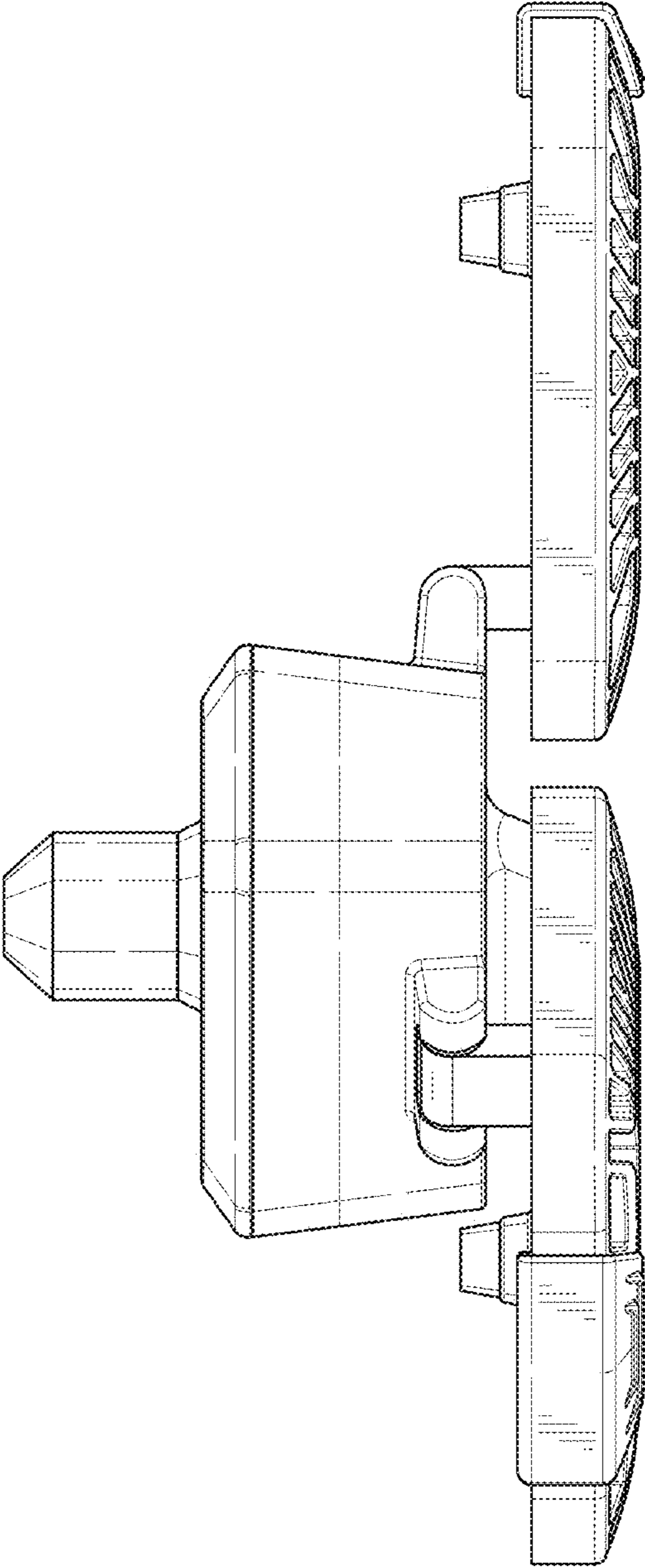


FIG. 4

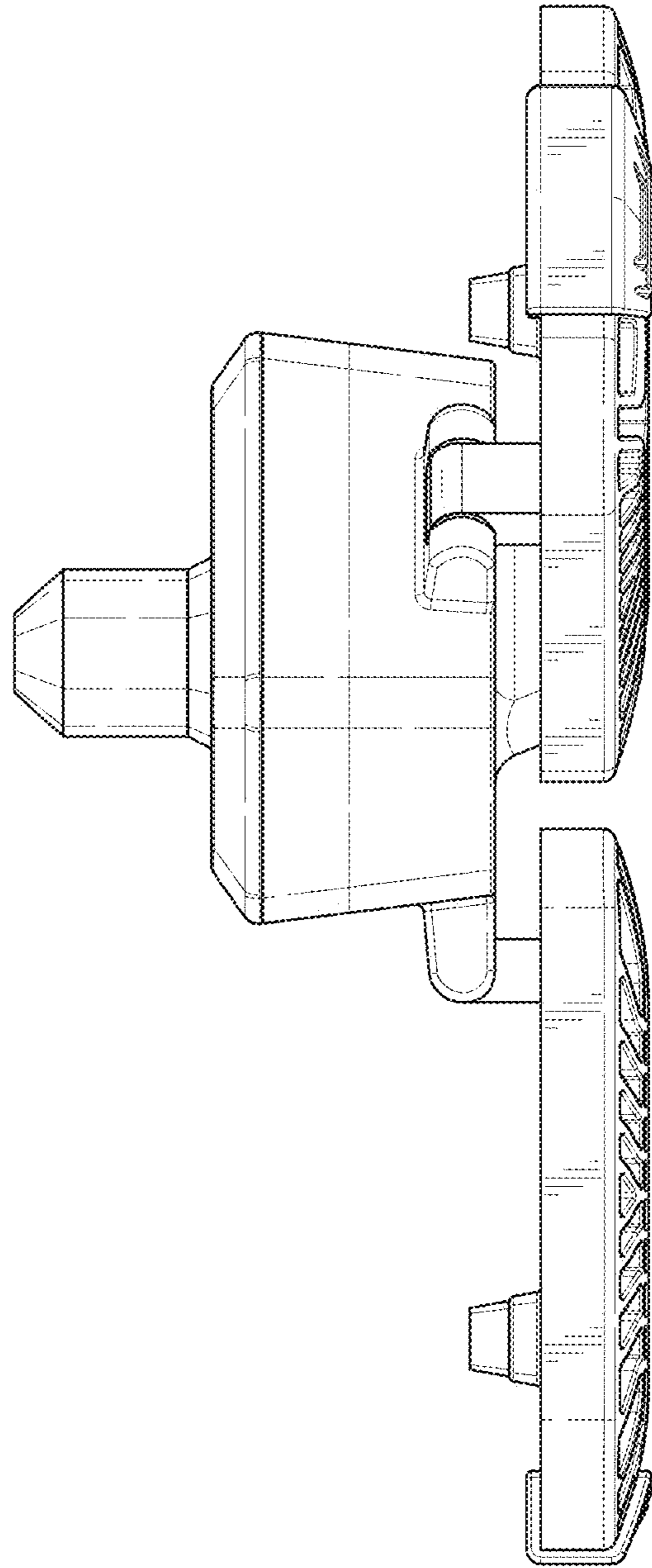


FIG. 5

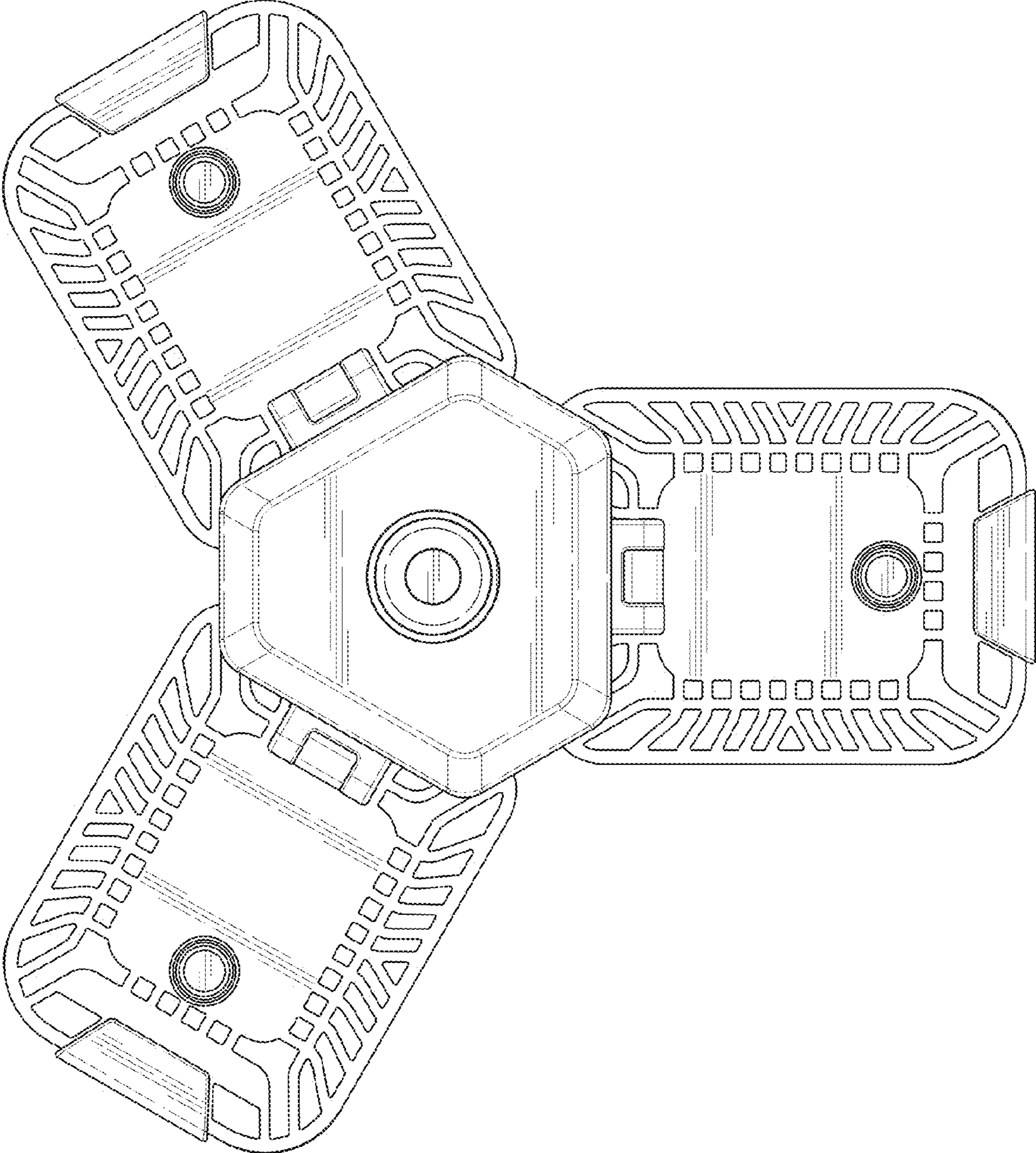


FIG. 6

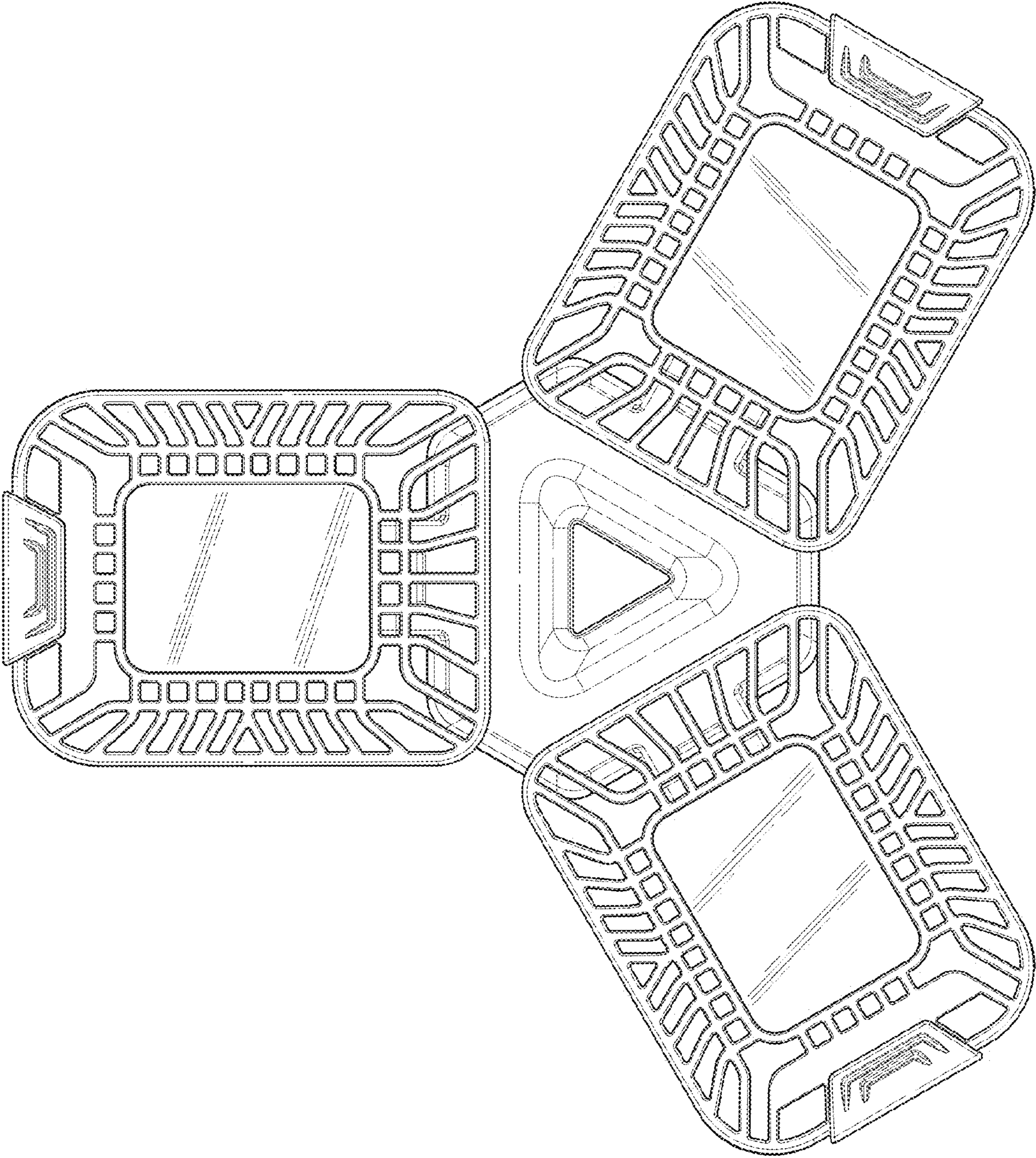


FIG. 7