



US00D907828S

(12) **United States Design Patent**  
**Zhang**

(10) **Patent No.:** **US D907,828 S**

(45) **Date of Patent:** **\*\* Jan. 12, 2021**

(54) **MULTI-PORT MUSHROOM LAMP  
WIRELESS CHARGING BASE**

(71) Applicant: **Fei Zhang**, Guangdong (CN)

(72) Inventor: **Fei Zhang**, Guangdong (CN)

(\*\*) Term: **15 Years**

(21) Appl. No.: **29/687,555**

(22) Filed: **Apr. 13, 2019**

(51) **LOC (13) Cl.** ..... **26-05**

(52) **U.S. Cl.**  
USPC ..... **D26/51**; D13/108

(58) **Field of Classification Search**  
USPC ..... D21/398, 401, 405; D9/643, 655;  
D11/117, 125; D26/4, 7, 19, 32, 47, 52,  
D26/57, 101, 127; D13/107-110,  
D13/118-119, 184; D14/251, 253, 432,  
D14/434

CPC ..... Y02E 60/12; Y02T 90/14; Y02T 90/122;  
Y02T 90/128; Y02T 90/163; H02J 7/025;  
H02J 7/0042; H02J 7/0044; H02J 7/0045;  
H02J 7/0003; H01F 38/14; H01R  
13/6675; H01M 2/1022; H01M 2/1055;  
H01M 10/44; H01M 10/46; H01M  
10/425; B60L 11/182

See application file for complete search history.

(56) **References Cited**

**U.S. PATENT DOCUMENTS**

D156,223	S	*	11/1949	Faill	.....	D26/99
D425,650	S	*	5/2000	Salcedo Ramos	.....	D26/101
D430,949	S	*	9/2000	Hepburn	.....	D26/101
D433,251	S	*	11/2000	Blazevich	.....	D6/629
D499,607	S	*	12/2004	Lyon	.....	D7/504
D520,244	S	*	5/2006	Huller	.....	D4/124
D554,929	S	*	11/2007	Jajdelski	.....	D6/407
D642,124	S	*	7/2011	Budike, Jr.	.....	D13/108
D660,650	S	*	5/2012	Moore	.....	D7/553.2

D669,430	S	*	10/2012	Budike	.....	D13/108
8,294,417	B2	*	10/2012	Kaye	.....	H02J 7/0027 320/108
D700,019	S	*	2/2014	Kolano	.....	D7/628
D709,445	S	*	7/2014	Yeh	.....	D13/107
D720,166	S	*	12/2014	Trindall	.....	D6/683.1
D724,254	S	*	3/2015	Sun	.....	D26/101
D736,703	S	*	8/2015	Kotaniemi	.....	D13/108
D761,729	S	*	7/2016	Leong	.....	D13/108
D763,967	S	*	8/2016	Kujawski	.....	D21/333
D777,969	S	*	1/2017	Fair	.....	D26/101

(Continued)

**OTHER PUBLICATIONS**

tophatter.com: Wireless Charging Bracket for Mushroom Lamp With Multiple Usb Sockets—White. Undated online product page Retrieved on Aug. 24, 2020 from <[https://tophatter.com/?lot\\_id=155063001&browse=open&source=google&medium=pla&campaign=NESmartShoppingElectronics&source=. . .](https://tophatter.com/?lot_id=155063001&browse=open&source=google&medium=pla&campaign=NESmartShoppingElectronics&source=. . .)> (Year: 2020).\*

(Continued)

*Primary Examiner* — Sheryl Lane  
*Assistant Examiner* — Stacey L Hopkins

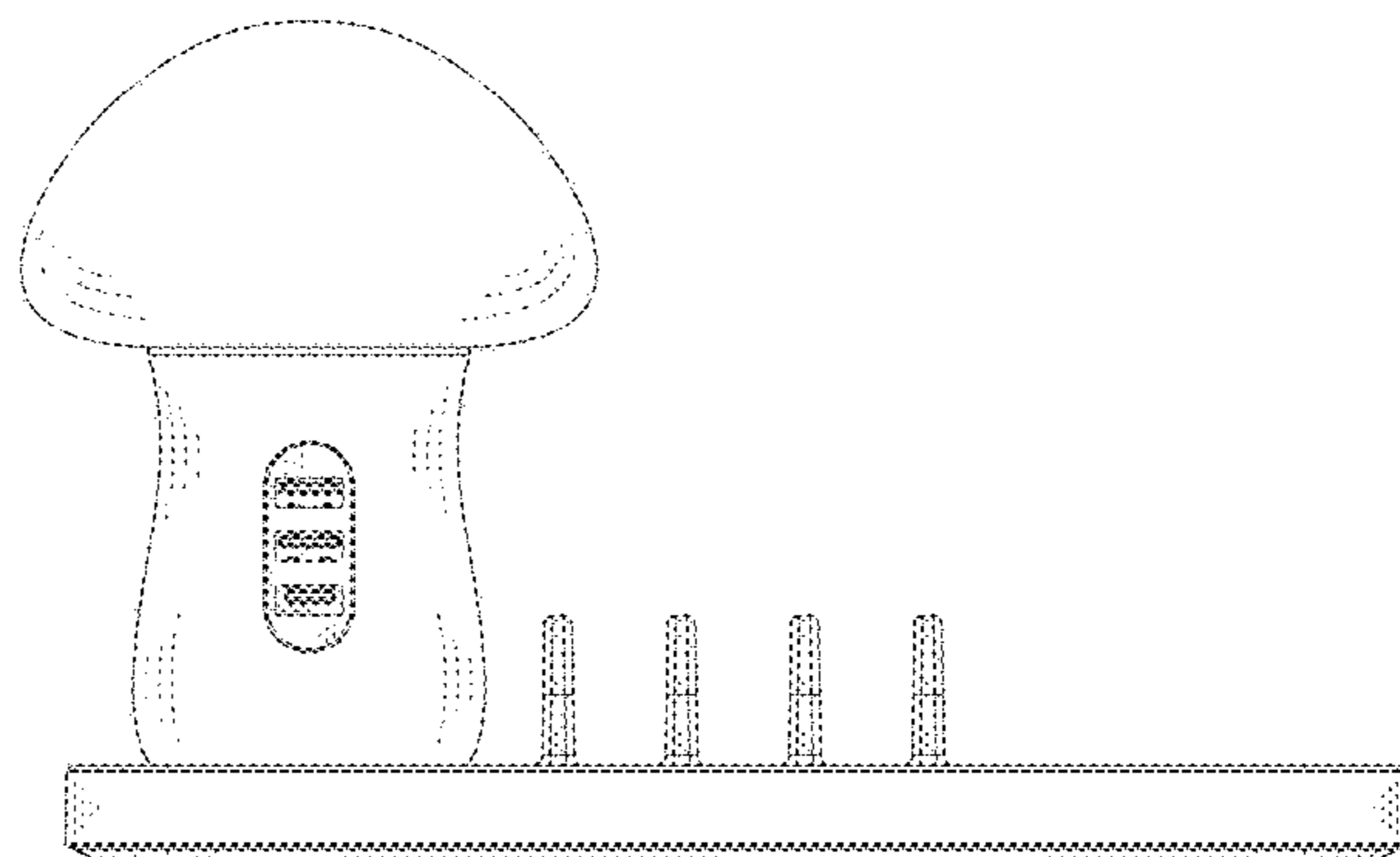
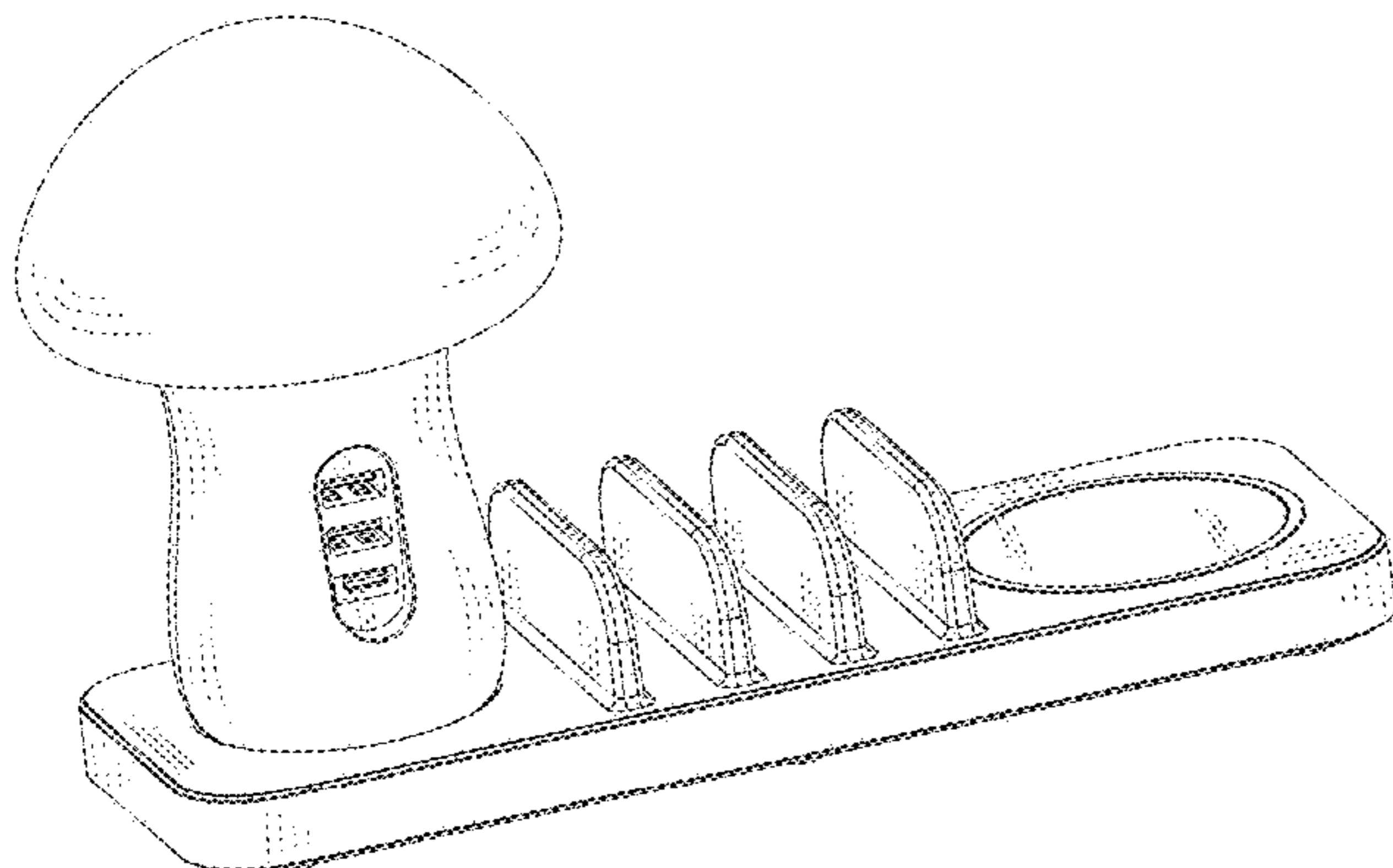
(57) **CLAIM**

The ornamental design for a multi-port mushroom lamp wireless charging base, as shown and described.

**DESCRIPTION**

FIG. 1 is a perspective view of a multi-port mushroom lamp wireless charging base bracket showing my new design; FIG. 2 is a front elevational view thereof; FIG. 3 is a rear elevational view thereof; FIG. 4 is a left side elevational view thereof; FIG. 5 is a right side elevational view thereof; FIG. 6 is a top plan view thereof; FIG. 7 is a bottom plan view thereof; and, FIG. 8 is another perspective view thereof.

**1 Claim, 8 Drawing Sheets**



(56)

References Cited

U.S. PATENT DOCUMENTS

D778,239 S \* 2/2017 Ni ..... D13/139.3  
 D778,829 S \* 2/2017 Marmus ..... D13/108  
 D780,501 S \* 3/2017 Sebastiampillai ..... D7/332  
 D790,355 S \* 6/2017 Bae ..... D9/644  
 D803,463 S \* 11/2017 Couckhuyt ..... D26/110  
 D823,796 S \* 7/2018 Zhang ..... D13/108  
 D825,345 S \* 8/2018 Caly ..... D9/643  
 D845,234 S \* 4/2019 Gao ..... D13/108  
 D850,369 S \* 6/2019 Wang ..... D13/108  
 10,312,700 B2 \* 6/2019 Roberts ..... G06F 1/189  
 D860,132 S \* 9/2019 Fu ..... D13/108  
 D861,963 S \* 10/2019 Zhu ..... D26/101  
 D865,867 S \* 11/2019 Muri ..... D19/62  
 D870,657 S \* 12/2019 Liang ..... D13/108  
 D871,509 S \* 12/2019 Lo ..... D21/401  
 D886,056 S \* 6/2020 Zhang ..... D13/108

D887,350 S \* 6/2020 Yamamoto ..... D13/108  
 D889,403 S \* 7/2020 Li ..... D13/108  
 D892,730 S \* 8/2020 Chen ..... D13/108

OTHER PUBLICATIONS

Fast Wireless Charging USB Charging Station. Posted on amazon.com. Date posted Aug. 1, 2019 [site visited Aug. 24, 2020]. Retrieved from internet, <[https://www.amazon.com/Wireless-Charging-Vaxiuja-Organizer-mashuroom/dp/B07VWPQXXID/ref=sr\\_1\\_1?dchild=1&keywords=multi-port+mushroom+lamp](https://www.amazon.com/Wireless-Charging-Vaxiuja-Organizer-mashuroom/dp/B07VWPQXXID/ref=sr_1_1?dchild=1&keywords=multi-port+mushroom+lamp) . . . > (Year: 2019).\*

Boread Multi Ports USB Charging Station, 5 Port Mushroom Lamp. Posted on amazon.com. Date posted Jul. 29, 2019 [site visited Aug. 24, 2020]. Retrieved from internet, <[https://www.amazon.com/BOREAD-Charging-Mushroom-Multiple-Smartphones/dp/B07VQ7W8V2/ref=sr\\_1\\_3?dchild=1&keywords=multi-port+mushroom](https://www.amazon.com/BOREAD-Charging-Mushroom-Multiple-Smartphones/dp/B07VQ7W8V2/ref=sr_1_3?dchild=1&keywords=multi-port+mushroom) . . . > (Year: 2019).\*

\* cited by examiner

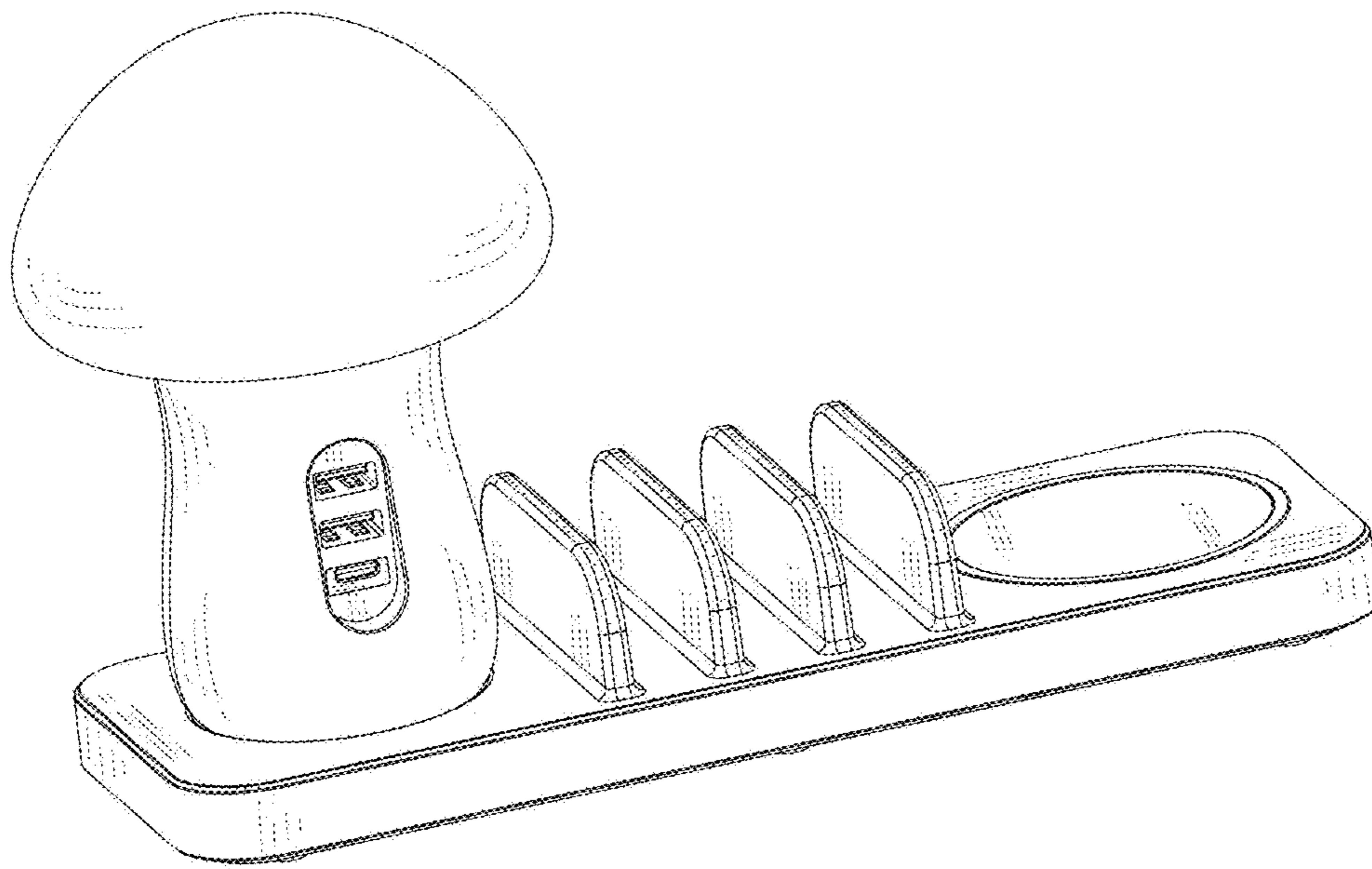


FIG. 1

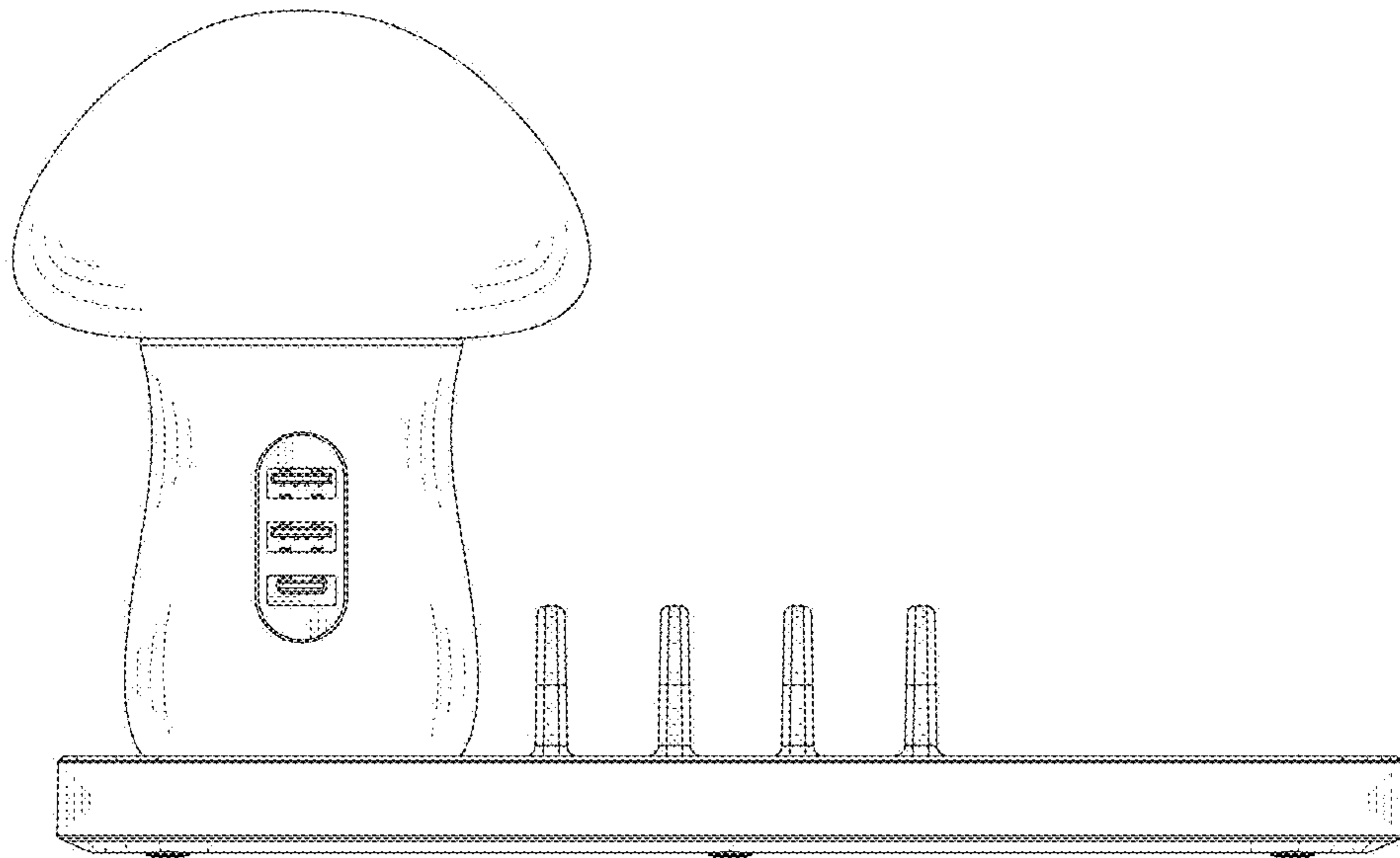


FIG. 2

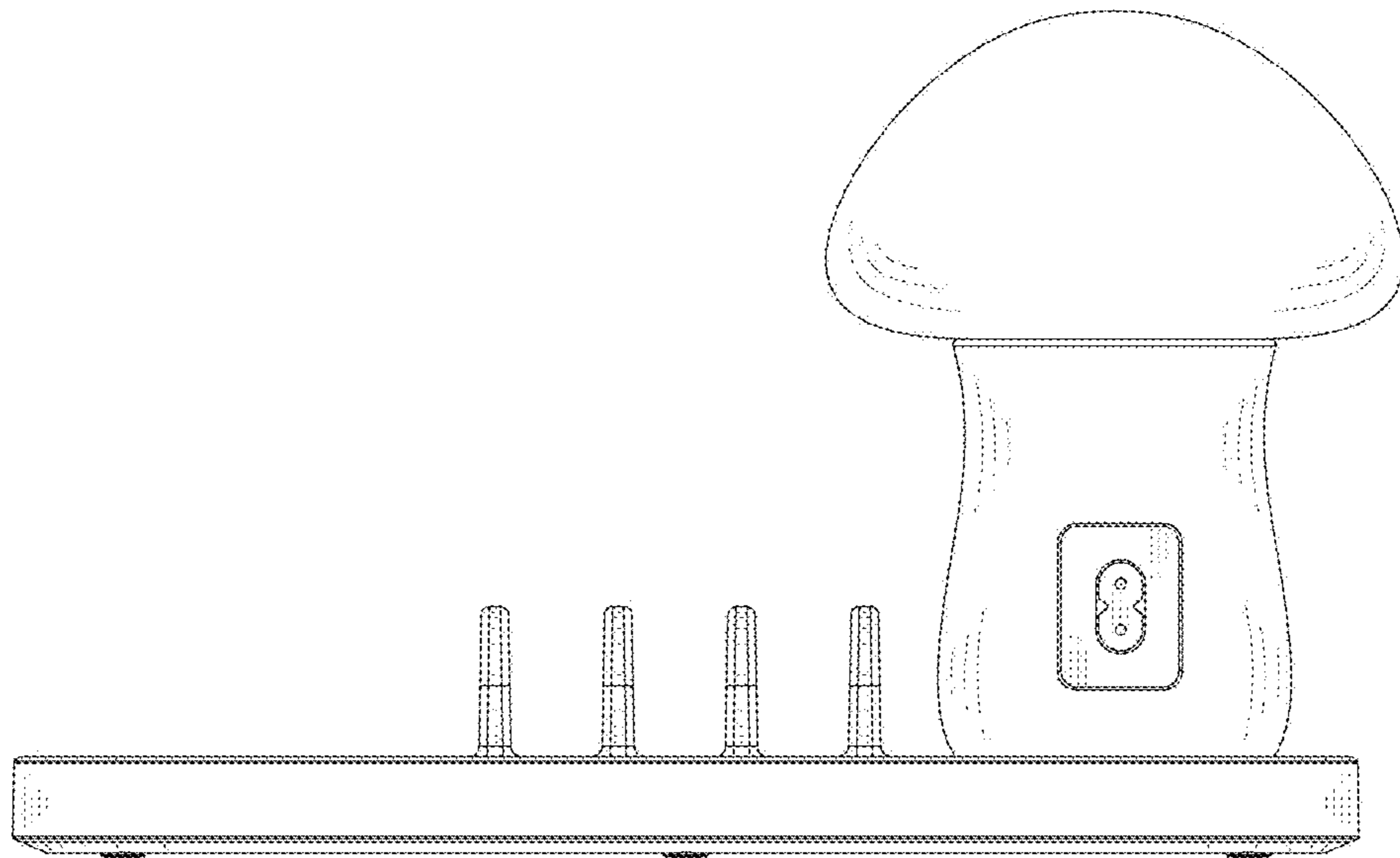


FIG. 3

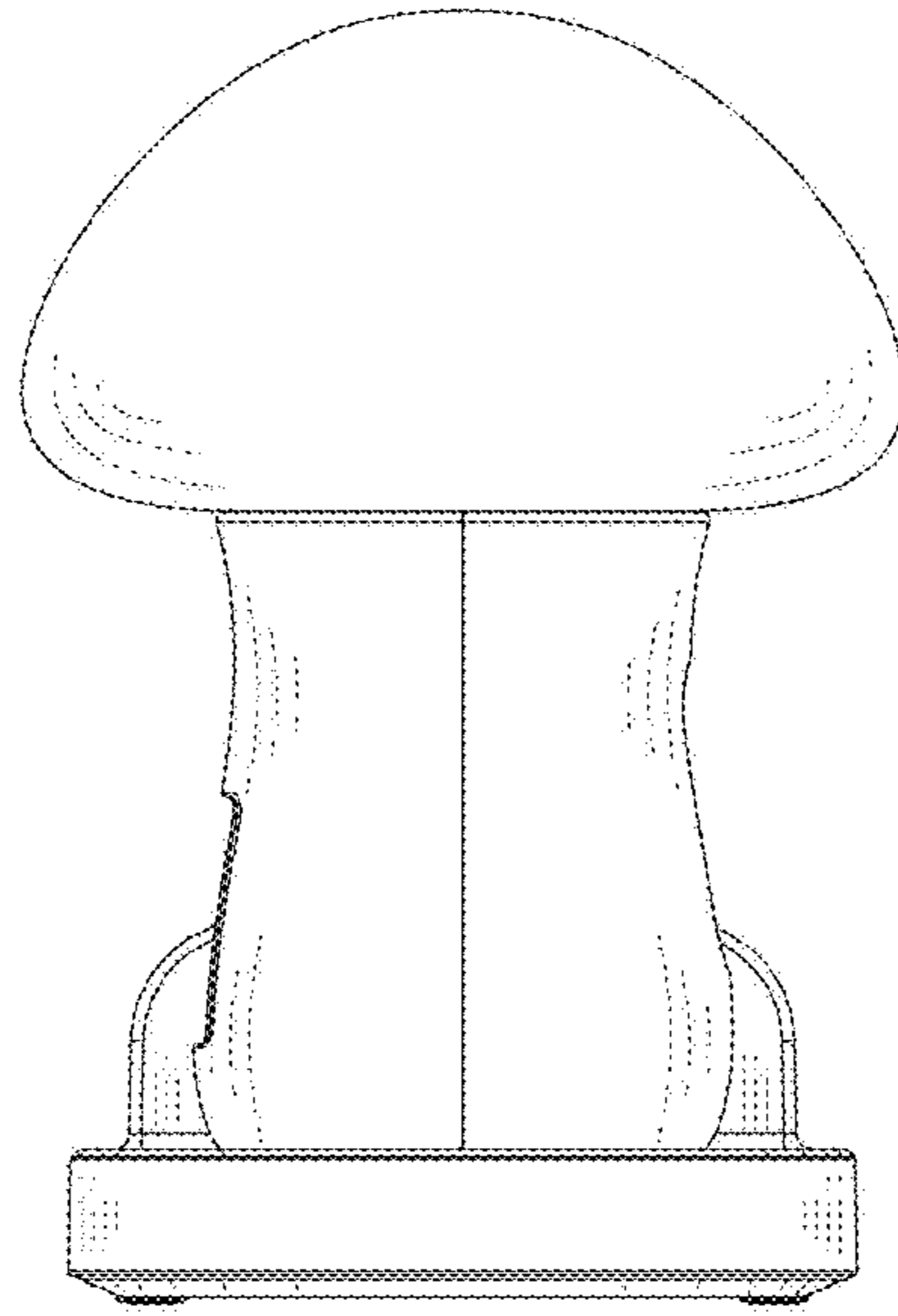


FIG. 4

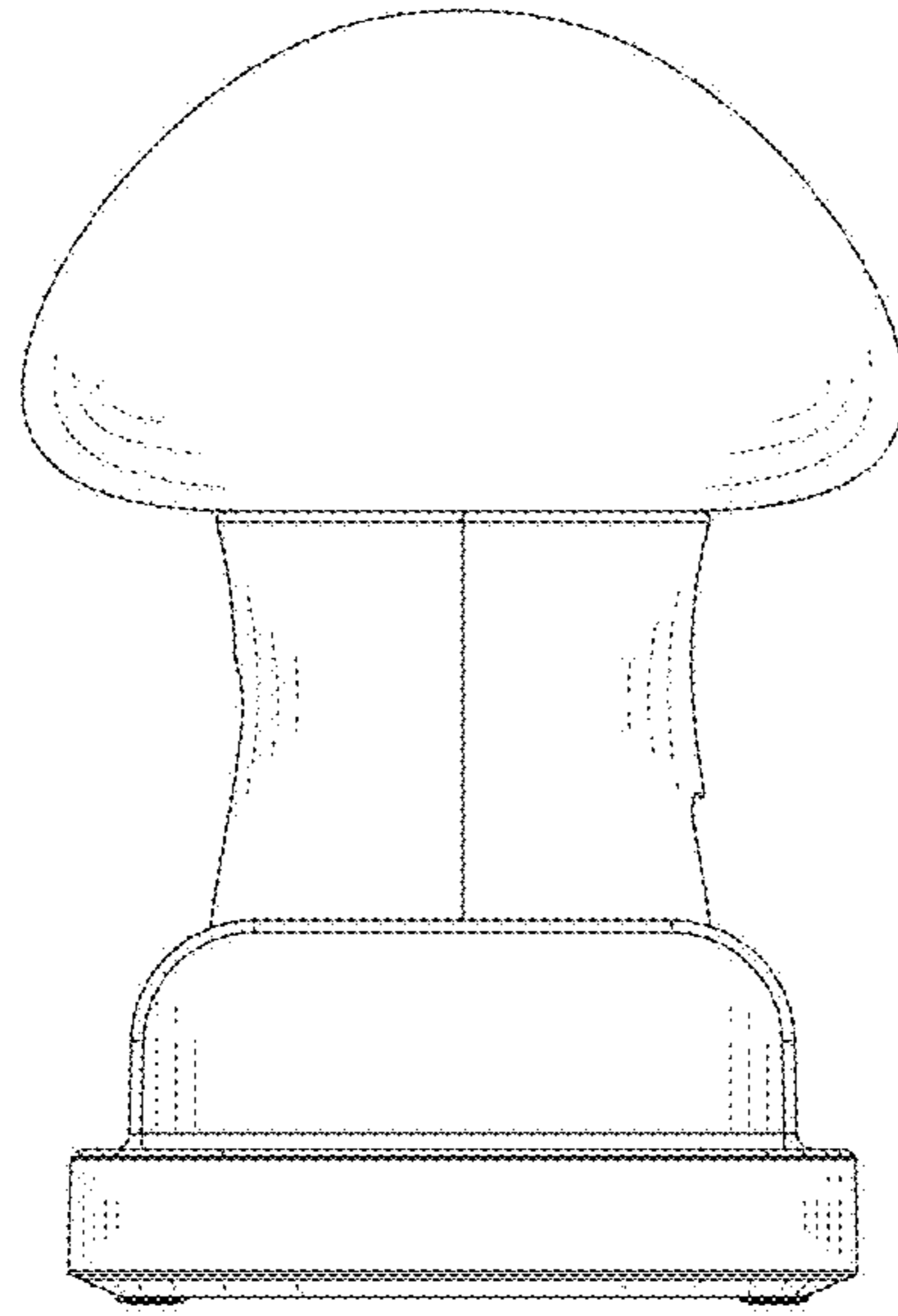


FIG. 5

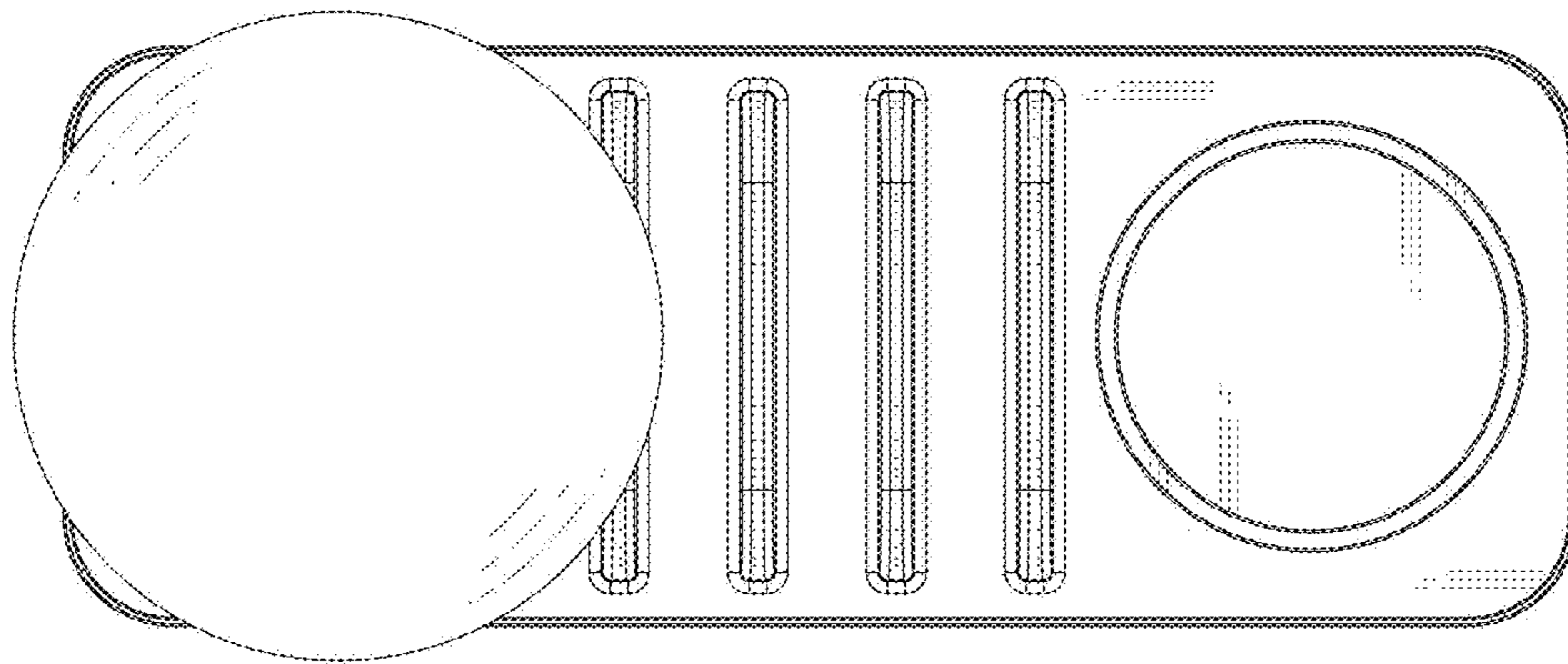


FIG. 6



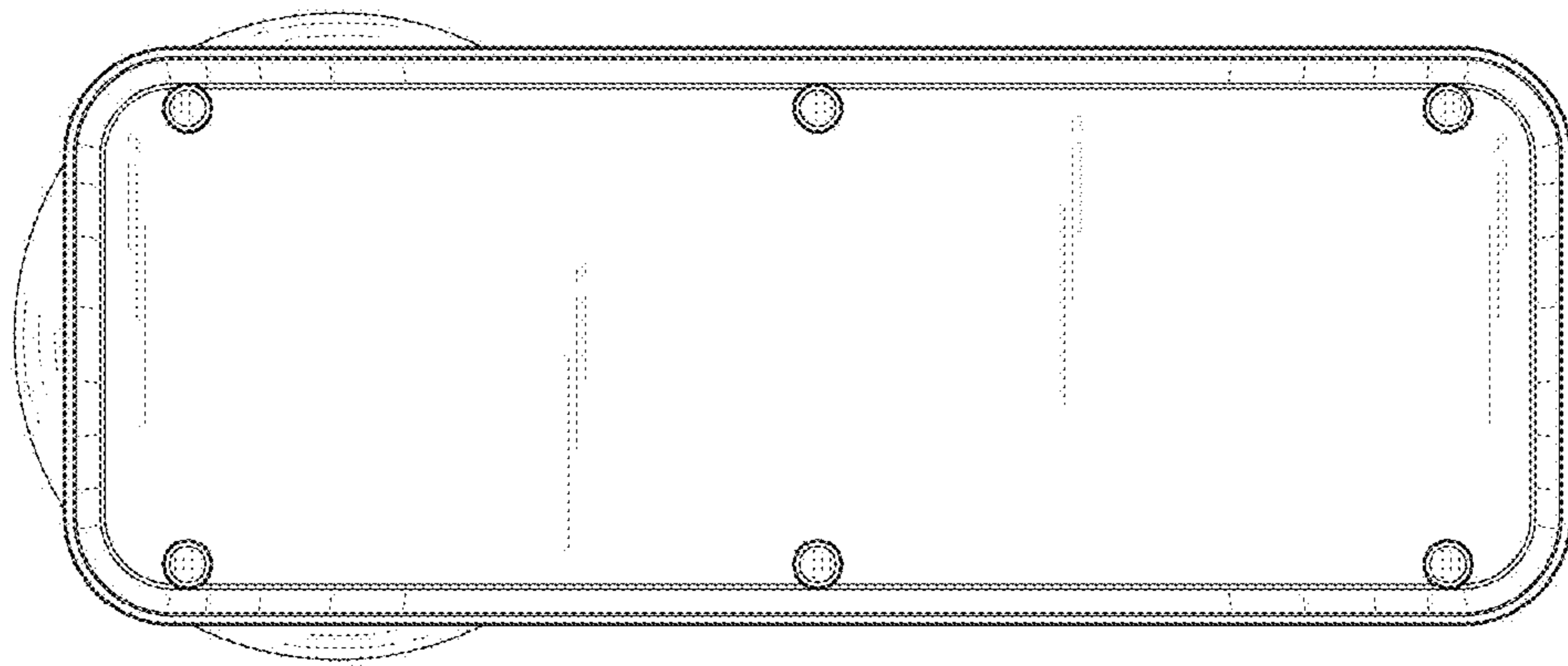


FIG. 7

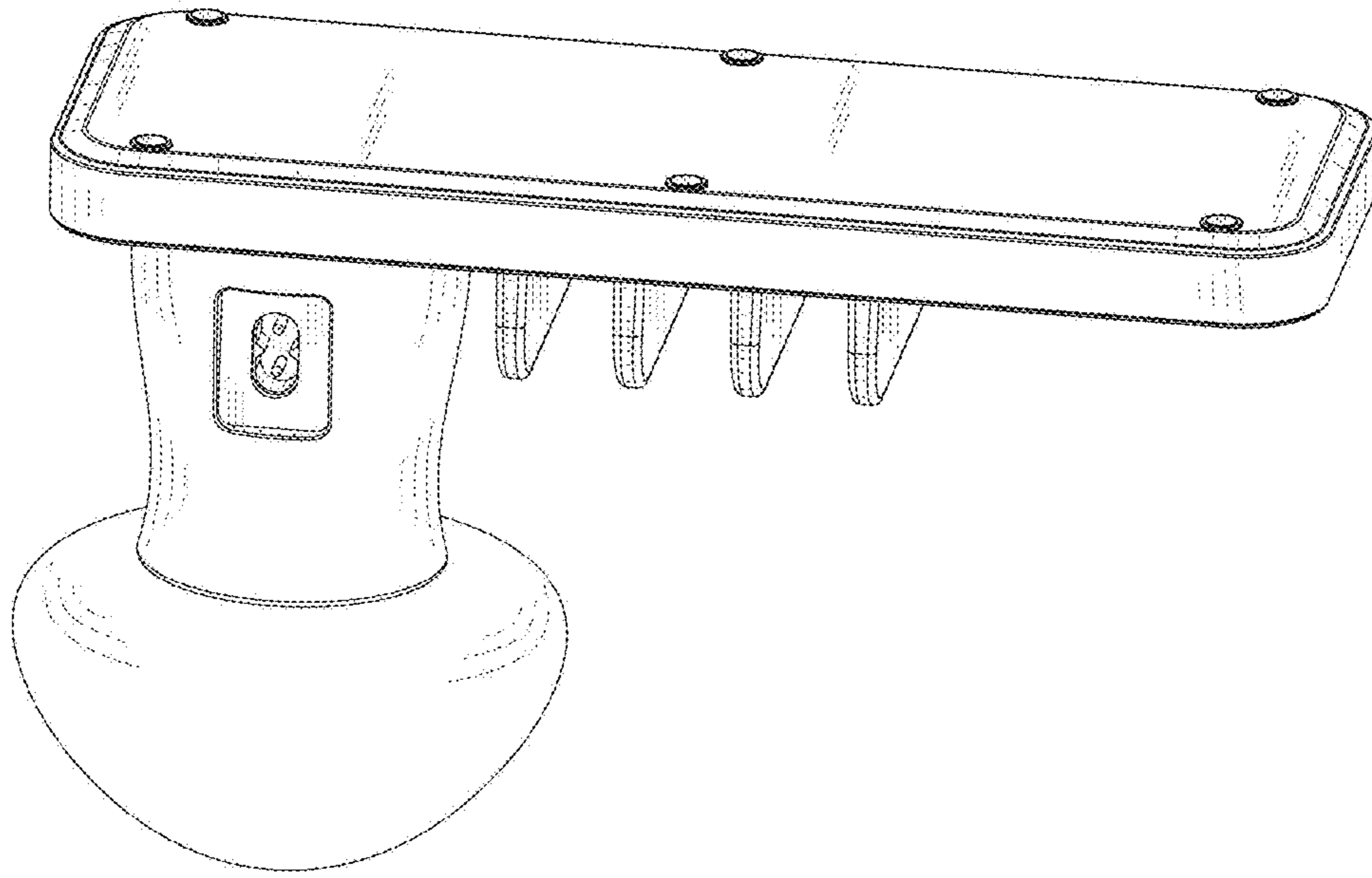


FIG. 8