



US00D907827S

(12) **United States Design Patent**  
**Qiu**

(10) **Patent No.:** **US D907,827 S**  
(45) **Date of Patent:** **\*\* Jan. 12, 2021**

(54) **FLASHLIGHT**

(71) Applicant: **NINGBO HONGFU ALUMINIUM & PLASTIC ELECTRIC APPLIANCE CO. LTD.**, Zhejiang Province (CN)

(72) Inventor: **Enyuan Qiu**, Zhejiang Province (CN)

(73) Assignee: **NINGBO HONGFU ALUMINIUM & PLASTIC ELECTRIC APPLIANCE CO. LTD.**, Zhejiang (CN)

(\*\*) Term: **15 Years**

(21) Appl. No.: **29/678,169**

(22) Filed: **Jan. 25, 2019**

(30) **Foreign Application Priority Data**

Oct. 17, 2018 (CN) ..... 2018 3 0579000

(51) **LOC (13) Cl.** ..... **26-02**

(52) **U.S. Cl.**  
USPC ..... **D26/49**

(58) **Field of Classification Search**  
USPC ..... D26/37-38, 40-42, 46, 49-50  
CPC ..... F21L 2003/00; F21L 4/00; F21L 4/005;  
F21L 4/02; F21L 4/022; F21L 4/025;  
F21L 4/027; F21L 4/04; F21L 4/045;  
F21L 4/08; F21L 4/085; F21L 2005/00;  
F21L 14/02

See application file for complete search history.

(56) **References Cited**

**U.S. PATENT DOCUMENTS**

D175,940 S \* 11/1955 Graubner ..... D26/49  
D315,609 S \* 3/1991 Garrity ..... D26/49  
5,008,785 A \* 4/1991 Maglica ..... F21V 31/03  
362/183  
6,814,465 B2 \* 11/2004 Forsythe ..... F21L 4/005  
362/109  
7,147,343 B2 \* 12/2006 Chapman ..... F21L 4/027  
362/187  
D536,118 S \* 1/2007 Krieger ..... D26/49

D557,840 S \* 12/2007 Shiu ..... D26/37  
D558,907 S \* 1/2008 Liu ..... D26/49  
D560,012 S \* 1/2008 Liu ..... D26/49  
D568,515 S \* 5/2008 Liu ..... D26/49  
D601,287 S \* 9/2009 Caniparoli ..... D26/49  
D647,232 S \* 10/2011 Liu ..... D26/49  
8,104,915 B1 \* 1/2012 Osterhout ..... F21L 4/005  
362/200  
D656,261 S \* 3/2012 Lee ..... D26/49

(Continued)

**OTHER PUBLICATIONS**

amazon.co.uk: Solar Flashlight, Emergency Light USB Rechargeable Solar Powered. Date uploaded Jan. 12, 2019 [site visited Sep. 11, 2020]. Retrieved from internet, <[https://www.amazon.co.uk/Sputar-Powered-Flashlight-Rechargeable-Breaker/dp/B07MJV9CTQ/ref=sr\\_1\\_1\\_sspa?dchild=1&keywords=solar+flashlight...](https://www.amazon.co.uk/Sputar-Powered-Flashlight-Rechargeable-Breaker/dp/B07MJV9CTQ/ref=sr_1_1_sspa?dchild=1&keywords=solar+flashlight...)> (Year: 2019).\*

*Primary Examiner* — Sheryl Lane

*Assistant Examiner* — Stacey L Hopkins

(74) *Attorney, Agent, or Firm* — Innovation Capital Law Group, LLP; Vic Lin

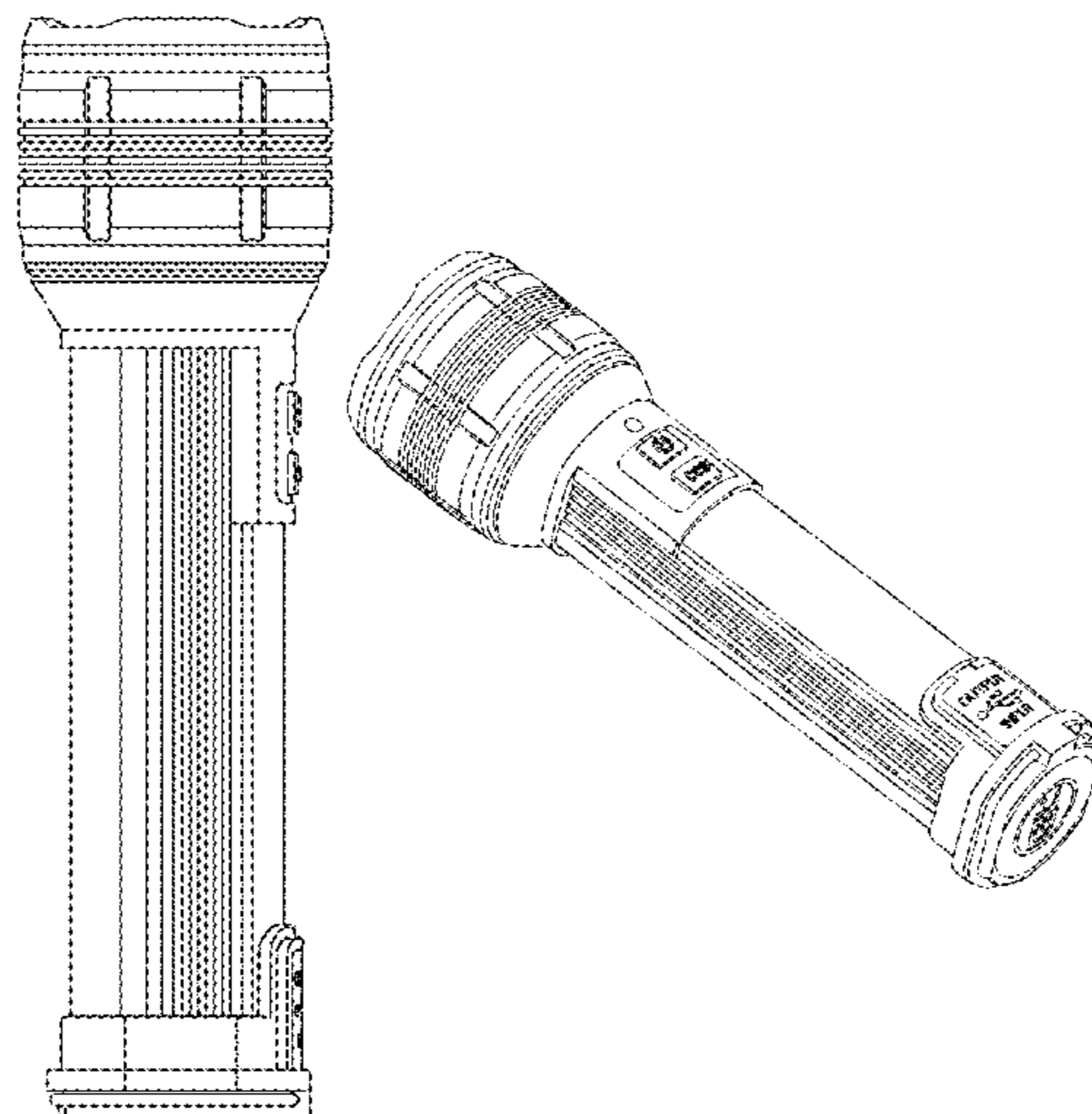
(57) **CLAIM**

The ornamental design for a flashlight, as shown and described.

**DESCRIPTION**

FIG. 1 is a front view of a flashlight showing my new design; FIG. 2 is a rear view thereof; FIG. 3 is a left side view thereof; FIG. 4 is a right side view thereof; FIG. 5 is a top view thereof; FIG. 6 is a bottom view thereof; FIG. 7 is a front perspective view thereof; and, FIG. 8 is a rear perspective view thereof. The broken lines in the drawings illustrate portions of the flashlight that form no part of the claimed design.

**1 Claim, 7 Drawing Sheets**



(56)

References Cited

U.S. PATENT DOCUMENTS

D716,482 S \* 10/2014 Ma ..... D26/49  
D719,694 S \* 12/2014 Nawaz ..... D22/117  
8,919,988 B2 \* 12/2014 Unger ..... F21L 14/02  
362/157  
9,068,727 B2 \* 6/2015 Lee ..... F21V 14/065  
D769,496 S \* 10/2016 Inskeep ..... D26/49  
D782,603 S \* 3/2017 Fan ..... D22/117  
D785,842 S \* 5/2017 Huang ..... D26/49  
D786,466 S \* 5/2017 Prieto ..... D26/49  
D794,237 S \* 8/2017 Christensen ..... D26/49  
D802,195 S \* 11/2017 Huang ..... D26/49  
D810,337 S \* 2/2018 Eichelberger ..... D26/49  
D818,622 S \* 5/2018 Kunzendorf ..... D26/49  
10,047,948 B1 \* 8/2018 Qiu ..... A62B 3/005  
10,060,582 B2 \* 8/2018 O'Brien ..... F21L 4/085  
D844,874 S \* 4/2019 Eichelberger ..... D26/49  
10,260,688 B2 \* 4/2019 Horne ..... F21L 4/027  
D860,493 S \* 9/2019 Qiu ..... D26/49  
D877,379 S \* 3/2020 Qiu ..... D26/49  
D878,651 S \* 3/2020 Qiu ..... D26/49  
2011/0080725 A1 \* 4/2011 Brands ..... F21V 14/06  
362/187  
2014/0334138 A1 \* 11/2014 Jigamian ..... F21L 4/005  
362/157

\* cited by examiner

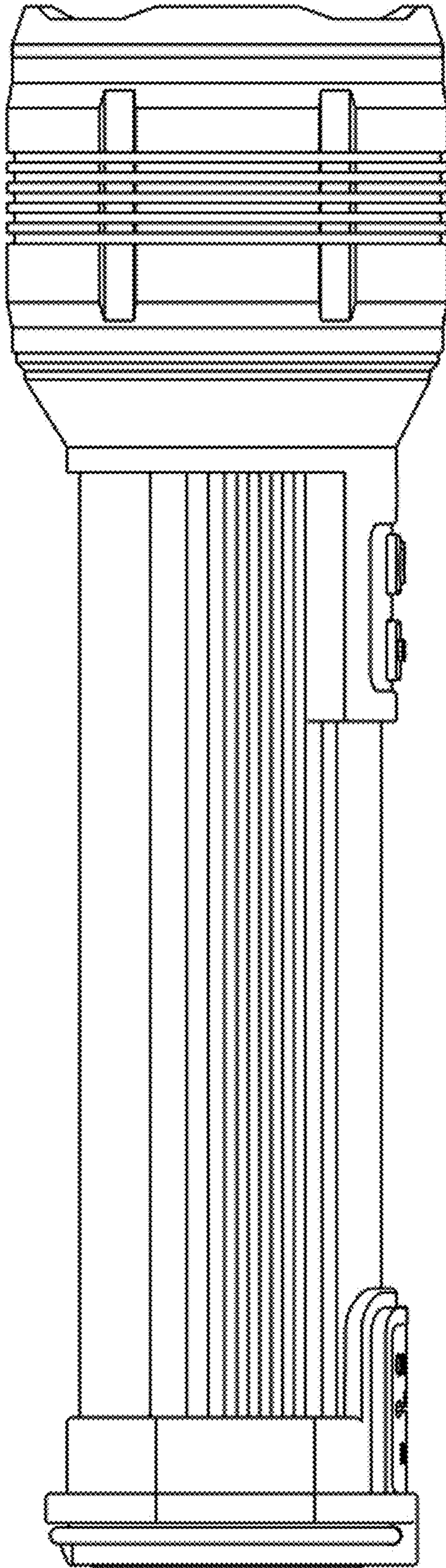


FIG.1

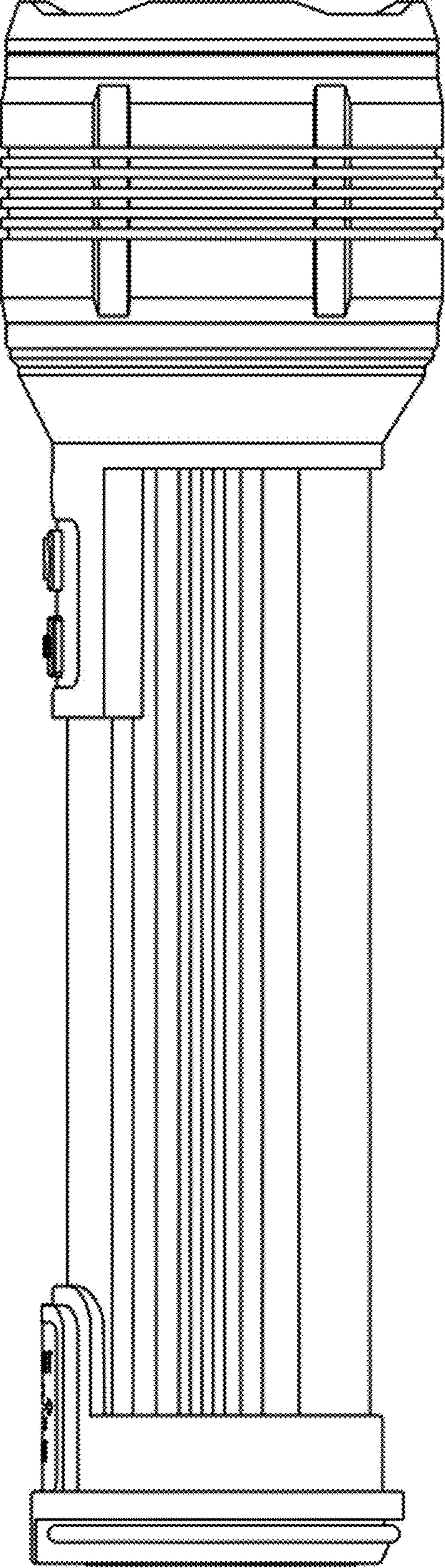


FIG.2

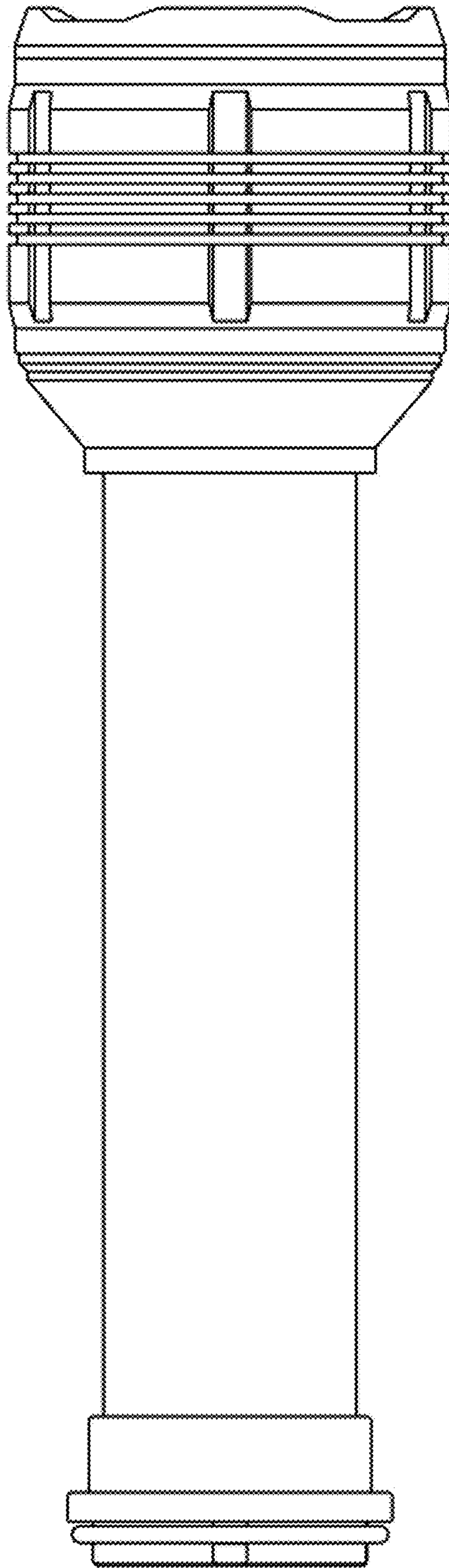


FIG.3

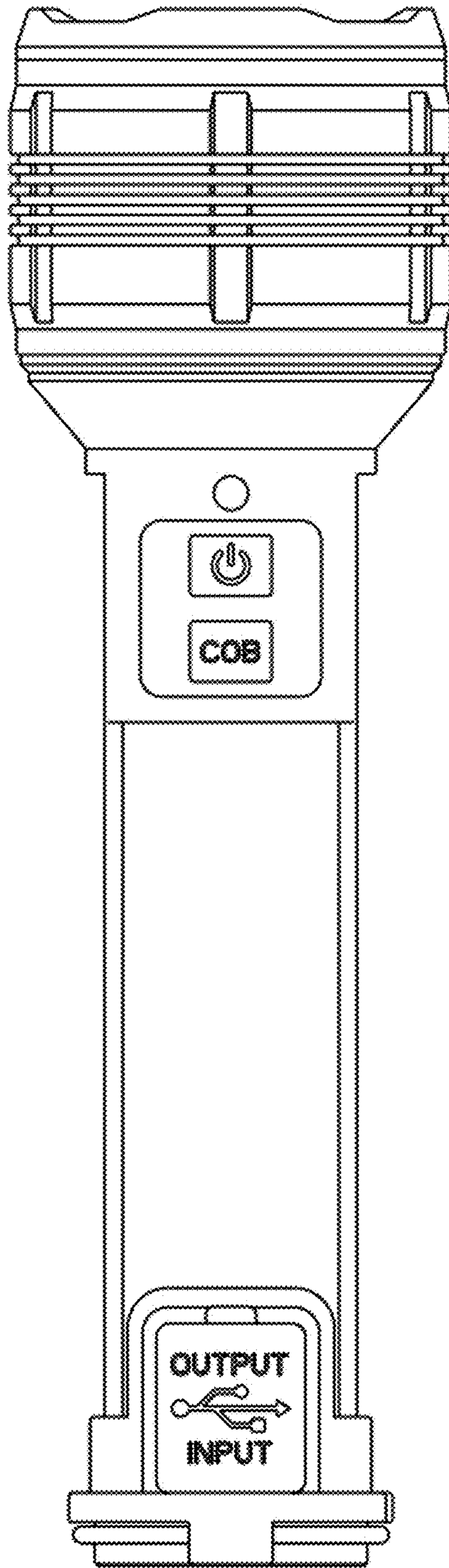


FIG.4

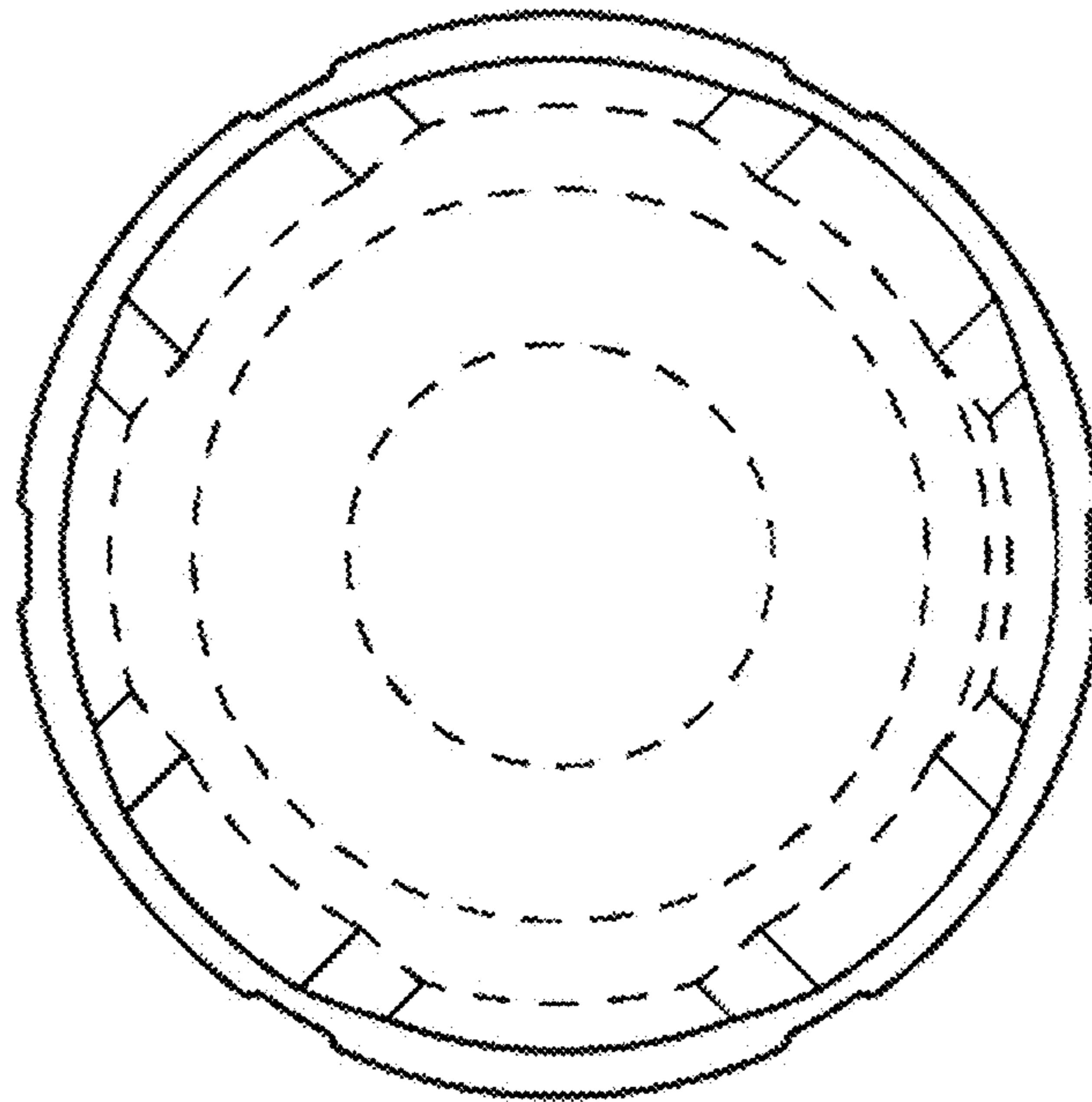


FIG. 5

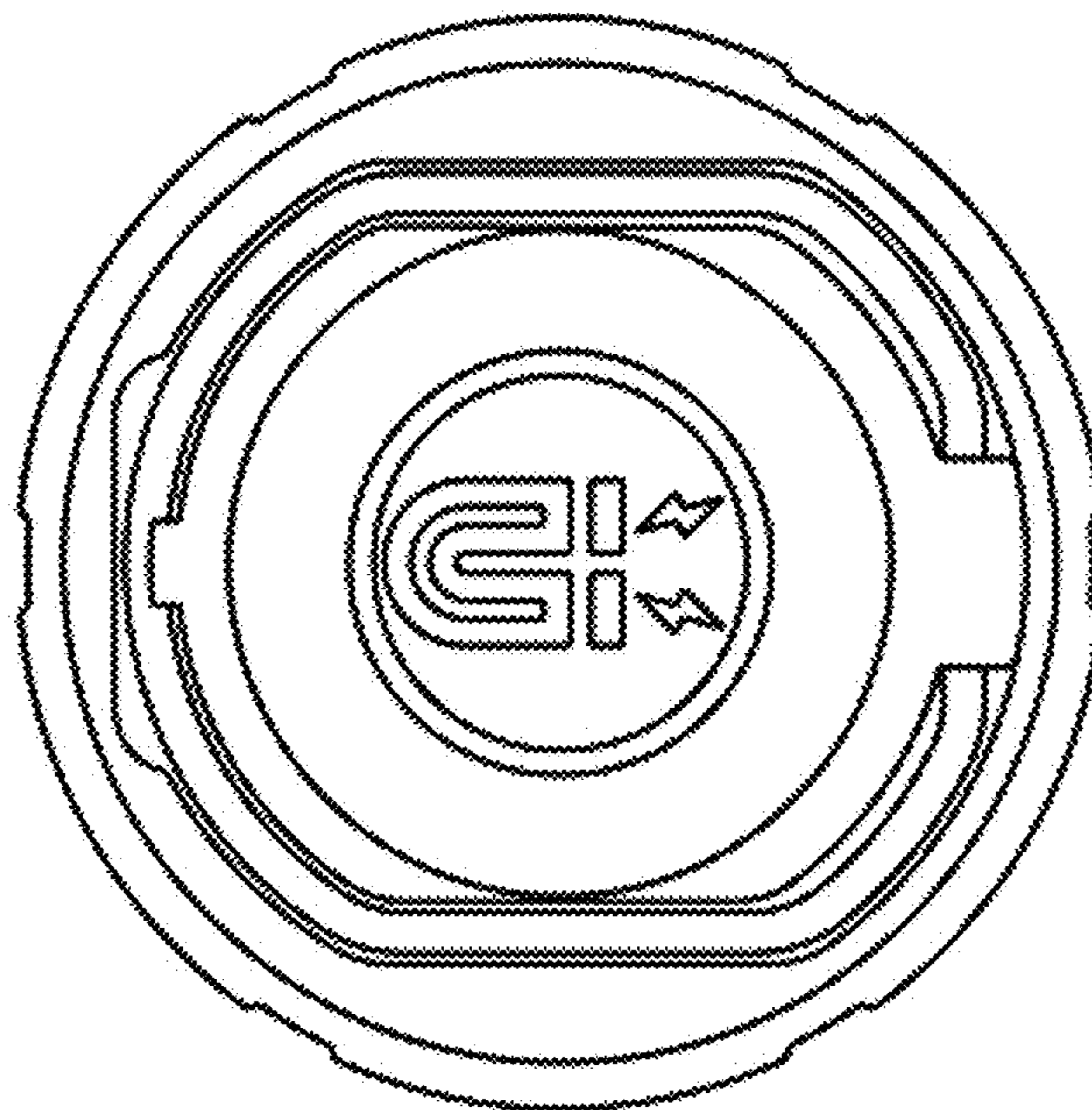


FIG. 6

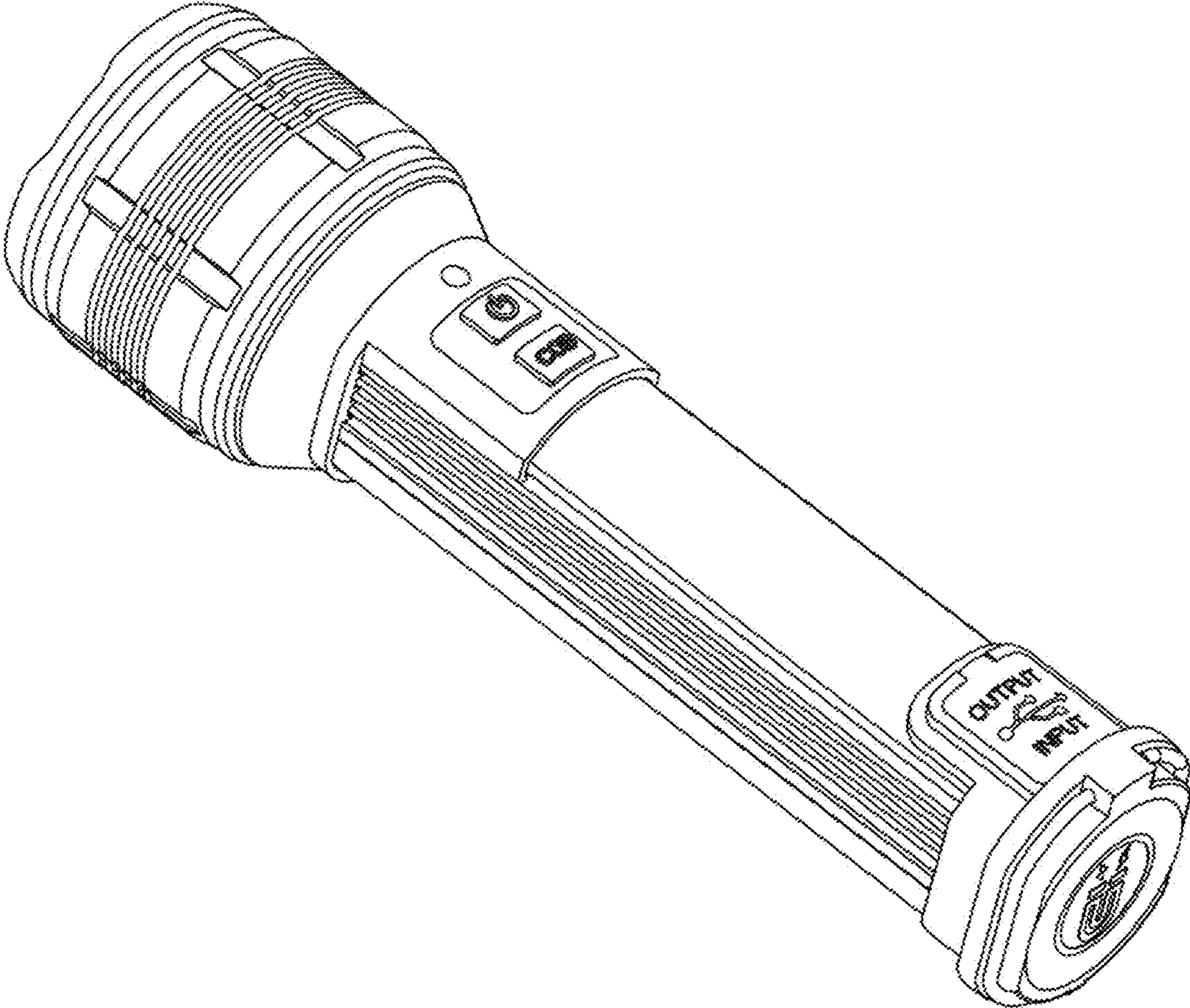


FIG.7



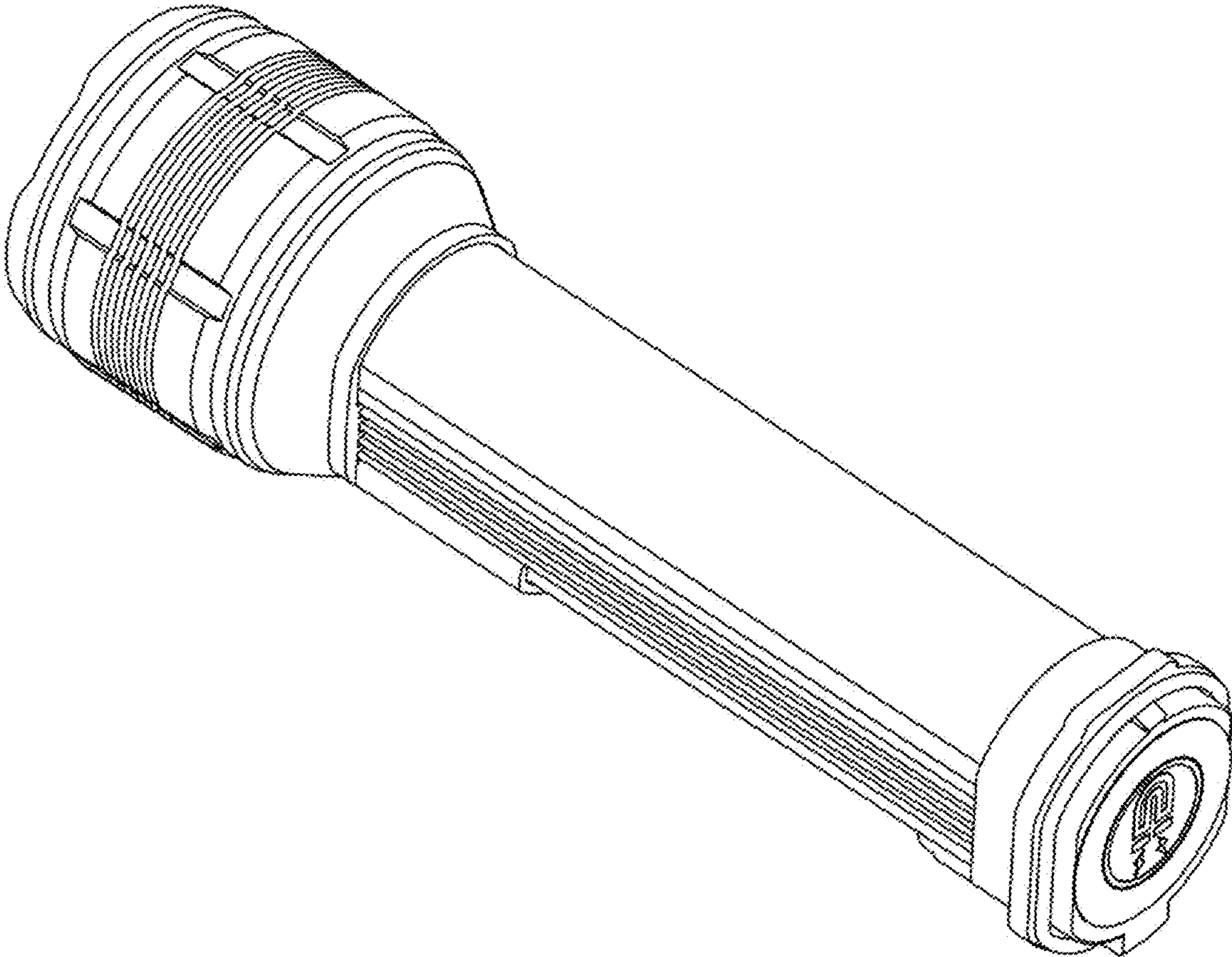


FIG.8