



US00D907826S

(12) **United States Design Patent**
Christensen

(10) **Patent No.:** **US D907,826 S**

(45) **Date of Patent:** **** *Jan. 12, 2021**

(54) **FLASHLIGHT**

(71) Applicant: **Simple Products Corporation**, Draper, UT (US)

(72) Inventor: **Brian Christensen**, Draper, UT (US)

(73) Assignee: **Simple Products Corporation**, Draper, UT (US)

(*) Notice: This patent is subject to a terminal disclaimer.

(**) Term: **15 Years**

(21) Appl. No.: **29/641,253**

(22) Filed: **Mar. 20, 2018**

(51) **LOC (13) Cl.** **26-02**

(52) **U.S. Cl.**
USPC **D26/49**

(58) **Field of Classification Search**
USPC D26/37-51

CPC F21L 2003/00; F21L 4/00; F21L 4/005;
F21L 4/02; F21L 4/025; F21L 4/027;
F21L 4/04; F21L 4/08; F21L 2005/00;
F21L 7/00; F21L 11/00; F21L 13/00;
F21L 13/04; F21L 13/08; F21L 14/02;
F21L 17/00; F21L 19/00; F21L 25/00

See application file for complete search history.

(56) **References Cited**

U.S. PATENT DOCUMENTS

D326,927 S	6/1992	Catalina	
D333,012 S	2/1993	Fleming	
D345,811 S	4/1994	Wright, III	
D422,744 S	4/2000	Losole, III	
D422,745 S	4/2000	Losole, III	
D483,892 S	12/2003	Poon	
D529,647 S	10/2006	Shiu	
D531,746 S	* 11/2006	Zhu D26/49

D535,419 S	1/2007	Shiu	
D535,771 S	1/2007	Shiu	
D537,968 S	3/2007	Shiu	
D547,891 S	7/2007	Shiu	
D548,391 S	8/2007	Lecluze	
D548,865 S	8/2007	Meoli et al.	
D553,282 S	* 10/2007	Zhu D26/49
D559,418 S	1/2008	Poon	
D568,515 S	* 5/2008	Liu D26/49
D570,511 S	* 6/2008	Shiu D26/49
D575,429 S	8/2008	Shiu	
D581,586 S	11/2008	Conroy	
D596,772 S	* 7/2009	Chang D26/49
D625,448 S	* 10/2010	Brown D26/49
D629,940 S	* 12/2010	Osterhout D26/38
D636,511 S	* 4/2011	Cen D26/49
D641,901 S	* 7/2011	Opolka D26/49
D643,561 S	* 8/2011	Maglica D26/49
D650,104 S	12/2011	Brands et al.	
D667,578 S	* 9/2012	Milz D26/49

(Continued)

Primary Examiner — Lakiya G Rogers

Assistant Examiner — Carissa C Fitts

(74) *Attorney, Agent, or Firm* — Thorpe North & Western

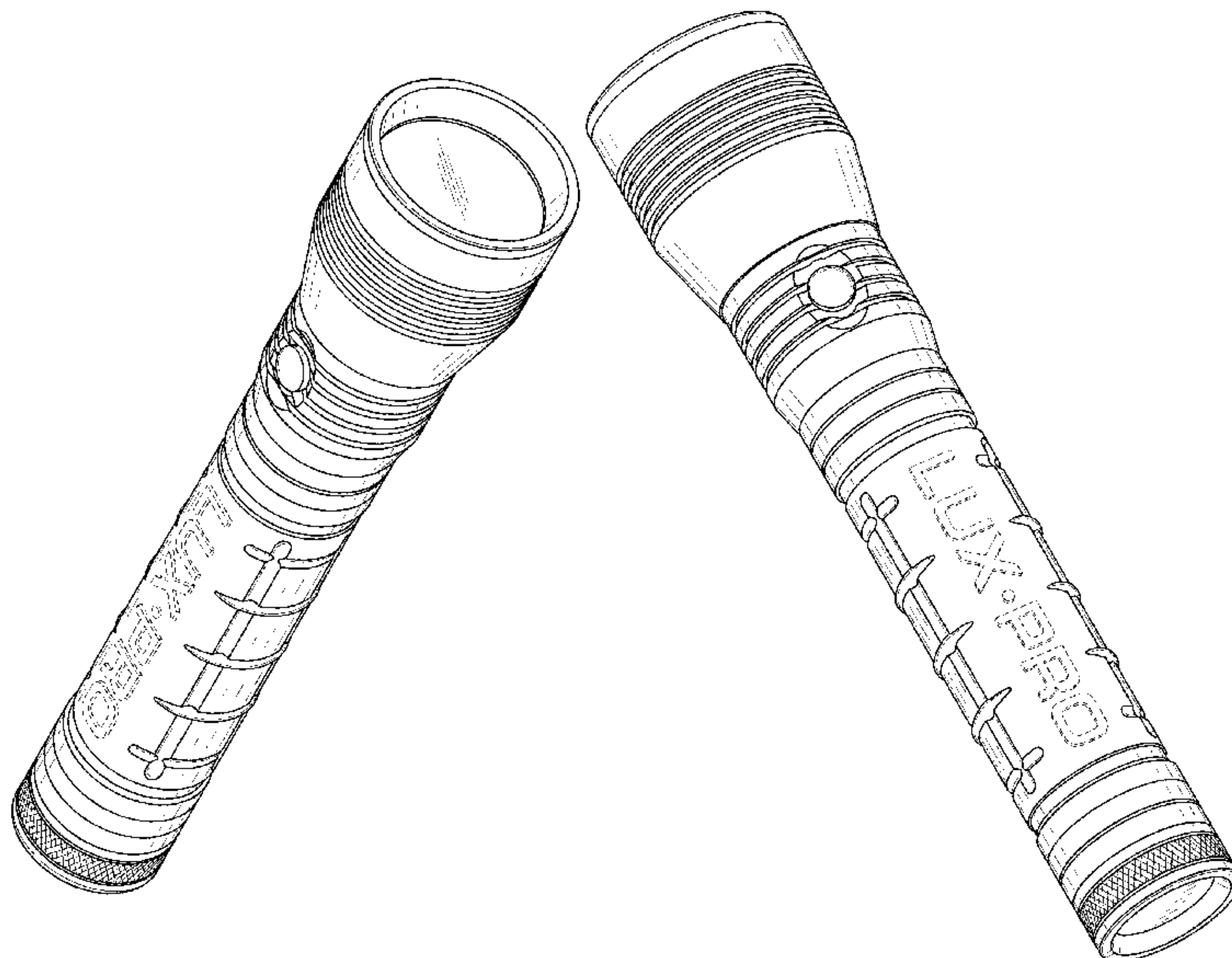
(57) **CLAIM**

The ornamental design for a flashlight, as shown and described.

DESCRIPTION

FIG. 1 is a front right perspective view of a flashlight in accordance with my invention;
FIG. 2 is a front left perspective view thereof;
FIG. 3 is a front view thereof;
FIG. 4 is a back view thereof;
FIG. 5 is a left view thereof;
FIG. 6 is a right view thereof;
FIG. 7 is a top view thereof; and,
FIG. 8 is a bottom view thereof.
Throughout the drawings, the broken lines show portions of the flashlight which form no part of the claimed design.

1 Claim, 5 Drawing Sheets



(56)

References Cited

U.S. PATENT DOCUMENTS

D673,315 S	*	12/2012	Milz	D26/49
D706,476 S		6/2014	Lee	
D707,378 S		6/2014	Shiu	
D709,232 S	*	7/2014	Inskeep	D26/49
D709,643 S		7/2014	Kohler et al.	
D710,526 S	*	8/2014	Lee	D26/49
D717,481 S	*	11/2014	Yong	D26/49
D726,945 S	*	4/2015	Kunzendorf	D26/49
D743,601 S	*	11/2015	Maglica	D26/49
9,217,547 B2		12/2015	Sharrah	
D749,254 S		2/2016	Robinson et al.	
D752,273 S		3/2016	Pratt et al.	
D777,371 S		1/2017	Yang	
D784,601 S		4/2017	Yang	
D786,466 S	*	5/2017	Prieto	D26/49
D794,237 S		8/2017	Christensen	
D794,857 S	*	8/2017	Sharrah	D26/49
D799,089 S		10/2017	Green	
D805,668 S		12/2017	Shirley et al.	
D809,687 S		2/2018	Krantz et al.	
D809,688 S		2/2018	Christensen	
D810,337 S	*	2/2018	Eichelberger	D26/49
D818,185 S		5/2018	Wilson	
D818,622 S	*	5/2018	Kunzendorf	D26/49
D823,506 S		7/2018	Shiu	
D827,894 S	*	9/2018	Huang	D26/49
D844,201 S		3/2019	Khubani	
D850,683 S		6/2019	Shelton	

* cited by examiner

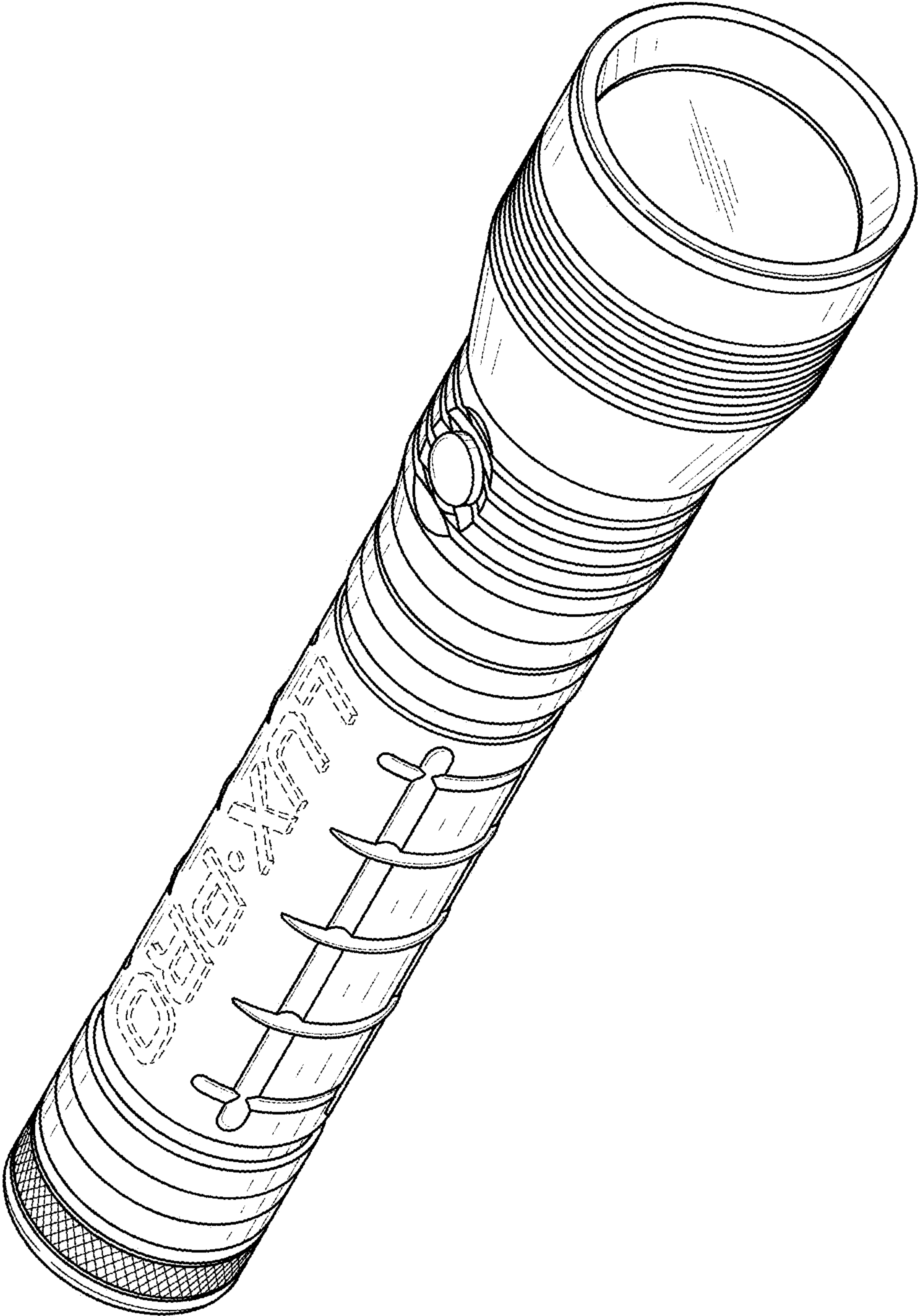


FIG. 1

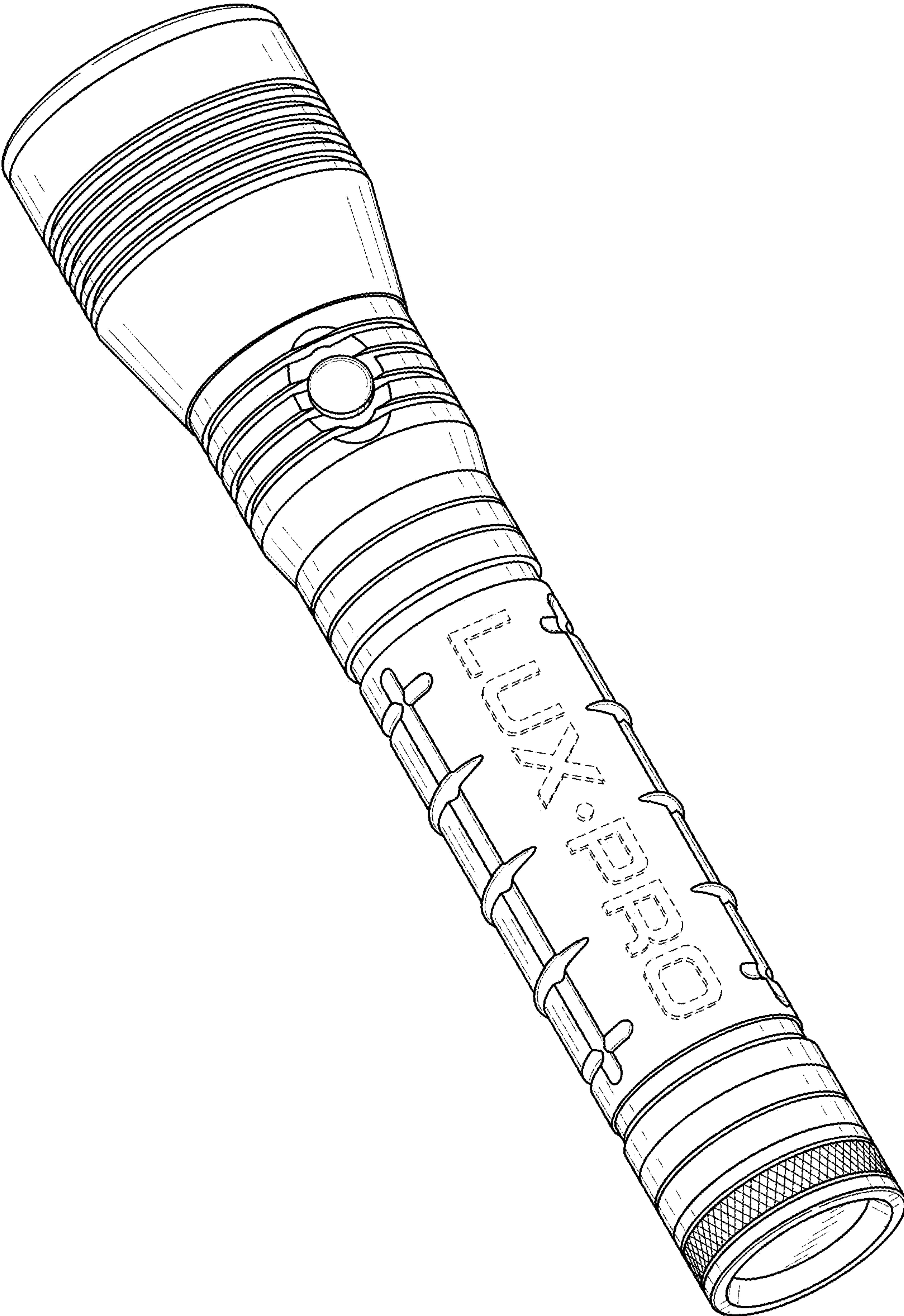


FIG. 2

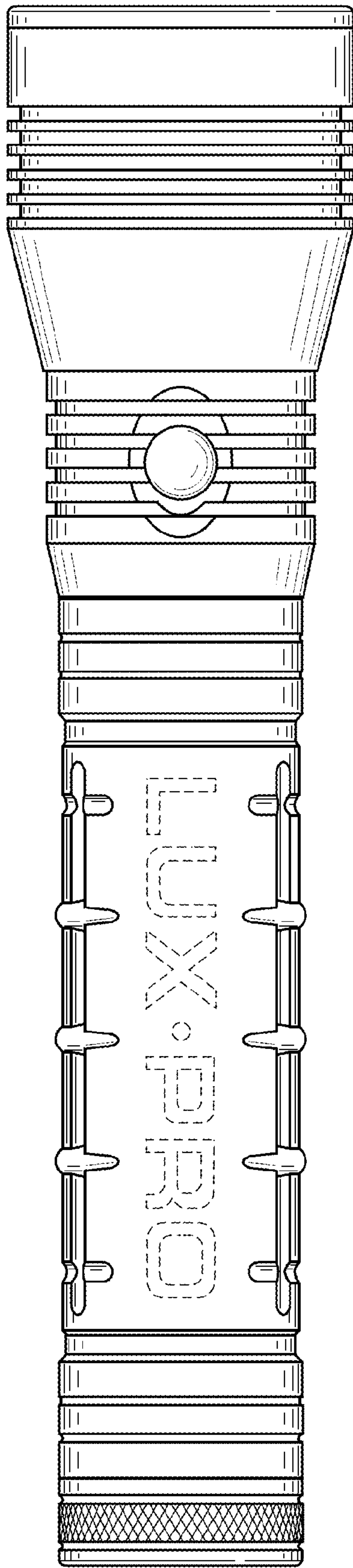


FIG. 3

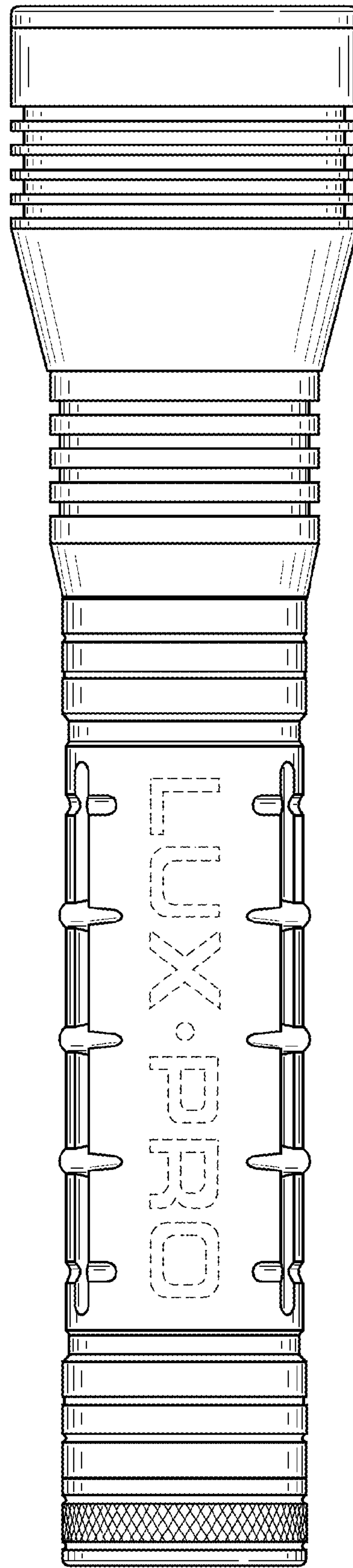


FIG. 4

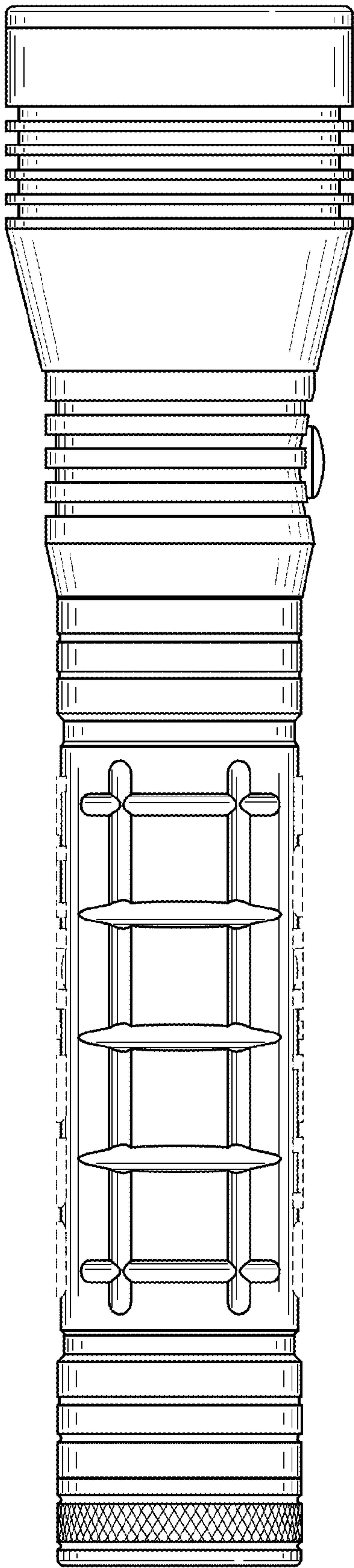


FIG. 5

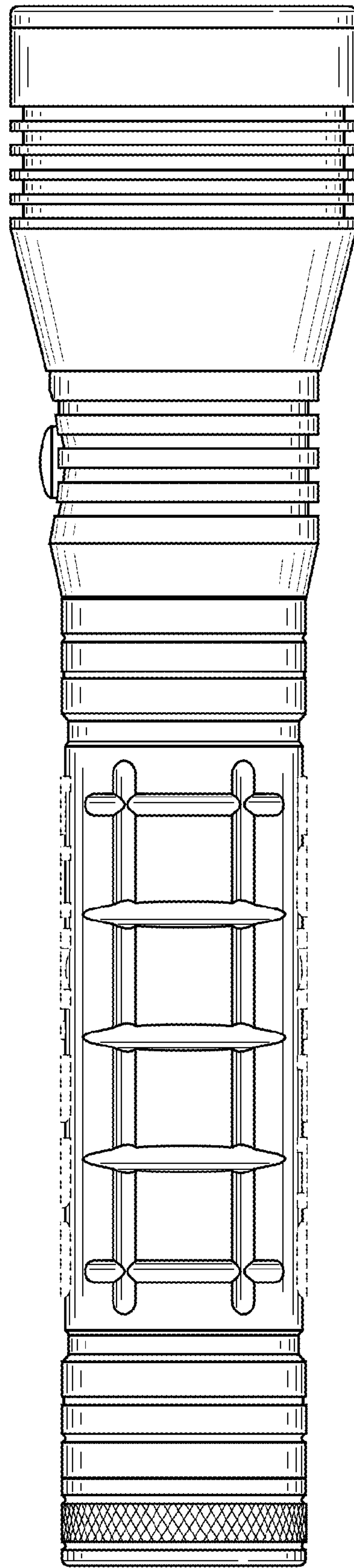


FIG. 6

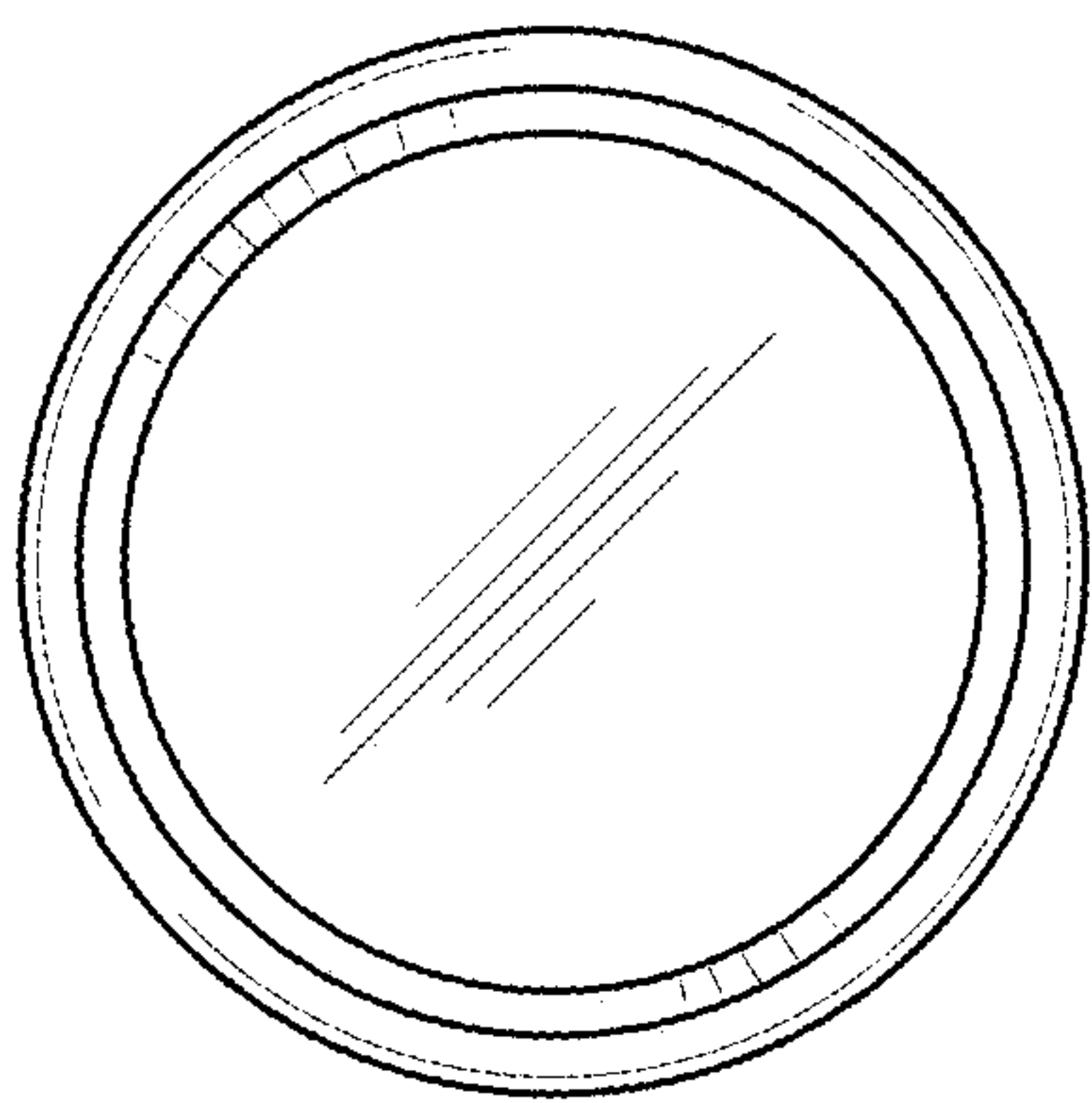


FIG. 7

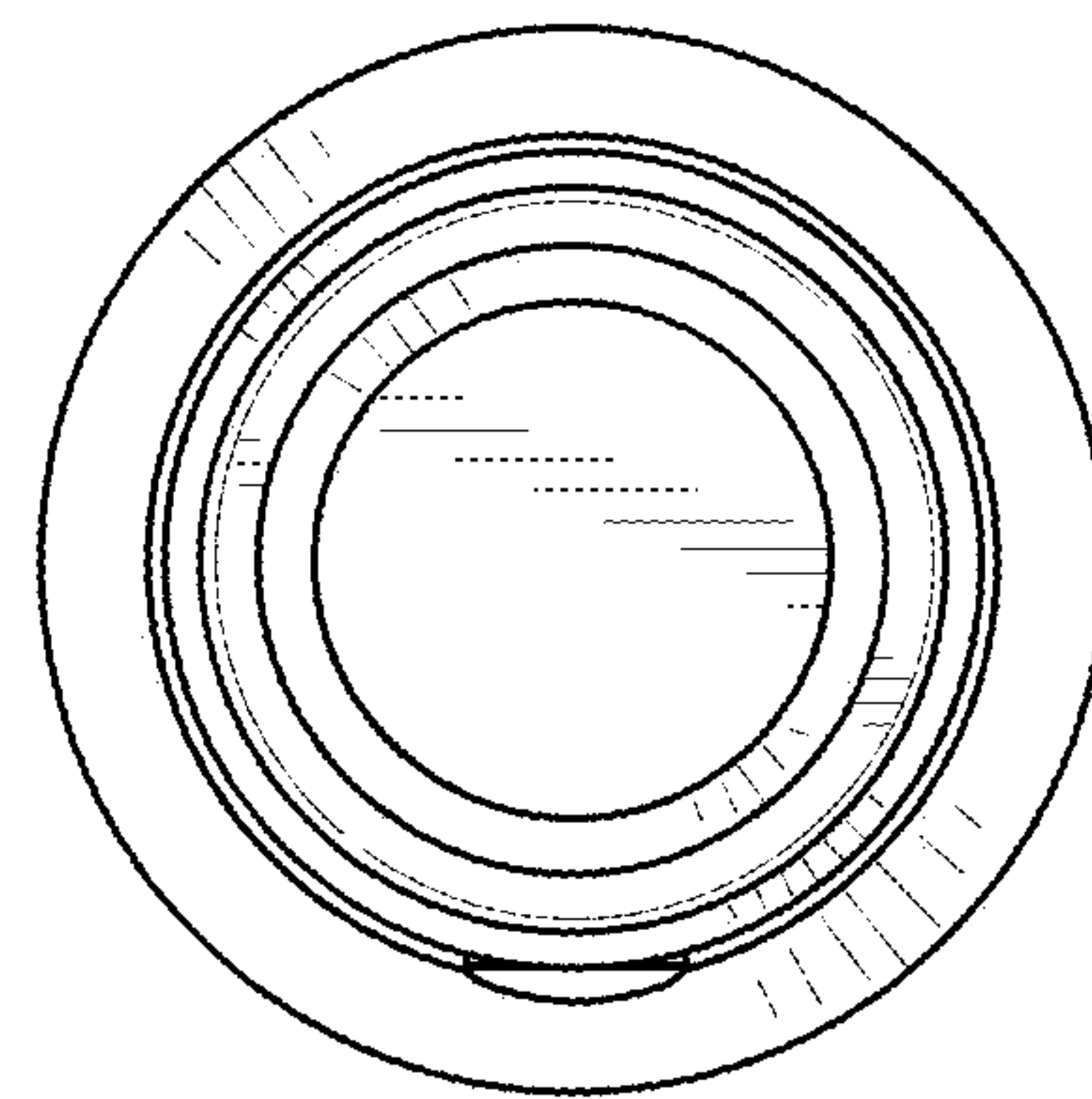


FIG. 8