



US00D907825S

(12) **United States Design Patent**  
**McLennan**

(10) **Patent No.:** **US D907,825 S**

(45) **Date of Patent:** **\*\* Jan. 12, 2021**

(54) **PORTABLE LIGHT HAVING A MOVABLE HEAD**

(71) Applicant: **STREAMLIGHT, INC.**, Eagleville, PA (US)

(72) Inventor: **W. Ross McLennan**, Perkasio, PA (US)

(73) Assignee: **Streamlight, Inc.**, Eagleville, PA (US)

(\*\*) Term: **15 Years**

(21) Appl. No.: **29/676,840**

(22) Filed: **Jan. 15, 2019**

(51) **LOC (13) Cl.** ..... **26-02**

(52) **U.S. Cl.**  
USPC ..... **D26/44**

(58) **Field of Classification Search**

USPC ..... D26/1, 24, 37-38, 42-44, 46, 61  
CPC ..... F21L 4/04; F21L 4/02; F21L 4/00; F21L 4/08; F21V 21/0832; F21V 21/0885; F21V 21/008; F21V 21/00; F21V 21/08; F21V

(Continued)

(56) **References Cited**

**U.S. PATENT DOCUMENTS**

D221,895 S 9/1971 Angibaud  
4,228,485 A 10/1980 Hubbard et al.

(Continued)

**FOREIGN PATENT DOCUMENTS**

EM 004752129-0001 3/2018  
EM 006620779-0001 7/2019

**OTHER PUBLICATIONS**

www.jobrien.com: Nebo Cryket 6437 Work Light/Spot Light (250 Lumen). Undated online product page. Retrieved on Sep. 2, 2020

from <[https://www.jobrien.com/nebo-cryket-6437-work-light-spot-light?utm\\_campaign=SC+Shopping++General...](https://www.jobrien.com/nebo-cryket-6437-work-light-spot-light?utm_campaign=SC+Shopping++General...)> (Year: 2020).\*

(Continued)

*Primary Examiner* — Sheryl Lane

*Assistant Examiner* — Stacey L Hopkins

(74) *Attorney, Agent, or Firm* — Clement A. Berard, Esq.; Dann, Dorfman, Herrell & Skillman, PC

(57) **CLAIM**

The ornamental design for a portable light having a movable head, substantially as shown and described.

**DESCRIPTION**

FIG. 1 is a perspective view from a first direction of an ornamental design for a portable light having a movable head;

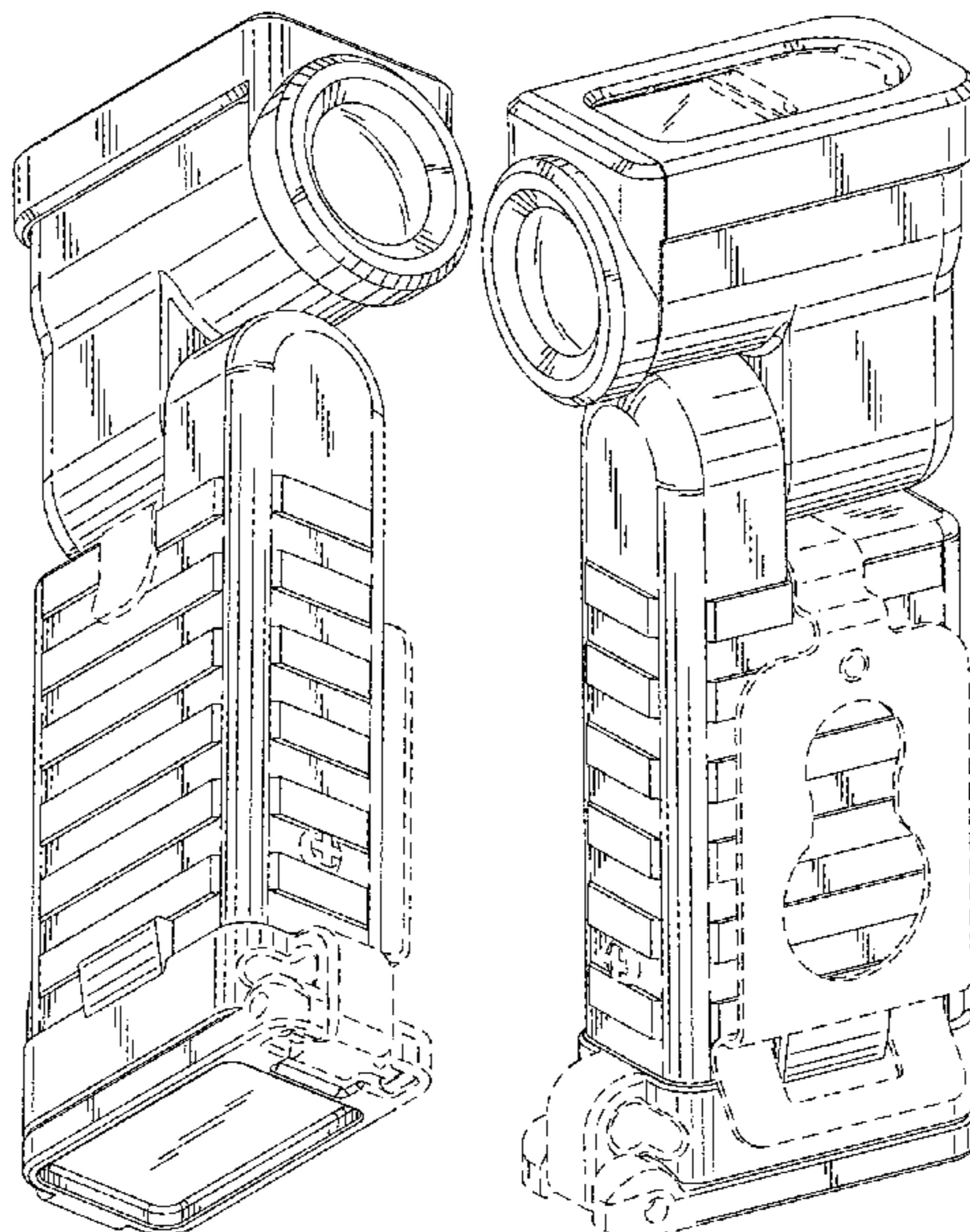
FIG. 2 is a perspective view thereof from a second direction; FIG. 3 is a perspective view thereof from a third direction; FIG. 4 is a perspective view thereof from a fourth direction; FIG. 5 is a side view of a first side thereof; FIG. 6 is a side view of a second side thereof; FIG. 7 is a side view of a third side thereof; FIG. 8 is a side view of a fourth side thereof; FIG. 9 is an end view of a first end thereof; and FIG. 10 is an end view of a second end thereof.

FIG. 11 is a perspective view of the ornamental design for a portable light having a movable head illustrating an example of an alternative position of the movable head thereof; and,

FIG. 12 is a perspective view thereof illustrating another example of an alternative position of the movable head thereof.

Broken lines in the DRAWING indicate unclaimed parts of the article that are not claimed herein, and that form no part of the claimed design or of any specified embodiment thereof.

**1 Claim, 7 Drawing Sheets**



- (58) **Field of Classification Search**  
 CPC .. 23/0492; F21V 23/0414; F21V 23/00; F21V  
 23/04; F21V 9/083; F21V 11/02; F21V  
 11/06; F21V 17/10; F21V 17/16; F21V  
 33/00; F21F 14/065; F21S 4/00; F21S  
 4/10; F21S 4/15; F21S 4/26; F21S 2/00;  
 F21W 2121/00; F21W 2121/04; F21Y  
 2115/10  
 See application file for complete search history.

D590,971 S 4/2009 Spartano et al.  
 7,549,766 B2 6/2009 Sharrah et al.  
 D599,925 S 9/2009 Kingston  
 D605,795 S \* 12/2009 Baker ..... D26/44  
 D611,629 S 3/2010 Sharrah et al.  
 7,731,385 B2 \* 6/2010 Spartano ..... F21L 4/045  
 362/197  
 D620,161 S \* 7/2010 Kang ..... D26/45  
 D681,246 S \* 4/2013 Keeley ..... D26/44  
 D681,858 S \* 5/2013 Sharrah ..... D26/49  
 8,727,561 B2 5/2014 Sharrah et al.  
 8,764,217 B2 \* 7/2014 Hao ..... F21V 21/0885  
 362/171

(56) **References Cited**

U.S. PATENT DOCUMENTS

4,346,329 A 8/1982 Schmidt  
 4,649,323 A 3/1987 Pearlman et al.  
 D296,827 S 7/1988 Yuen  
 D328,144 S 7/1992 Yuen  
 5,133,329 A 7/1992 Rodseth et al.  
 5,158,357 A 10/1992 McDermott  
 5,191,209 A 3/1993 Rodseth et al.  
 D335,715 S 5/1993 Wan  
 5,248,919 A 9/1993 Hanna et al.  
 D349,776 S 8/1994 Yuen  
 5,359,779 A 11/1994 Polk  
 D355,358 S 2/1995 Starr et al.  
 5,418,433 A 5/1995 Nilssen  
 D367,087 S 2/1996 Mathews  
 D368,145 S 3/1996 Smith  
 D378,434 S \* 3/1997 Petterson ..... D26/44  
 5,629,105 A 5/1997 Matthews  
 5,682,558 A 10/1997 Kirigaya et al.  
 5,871,272 A 2/1999 Sharrah et al.  
 D407,514 S \* 3/1999 Yuen ..... D26/49  
 D410,557 S \* 6/1999 Petterson ..... D26/44  
 D413,993 S 9/1999 Yuen  
 5,988,828 A \* 11/1999 Prince ..... F21L 4/04  
 362/191  
 6,012,824 A 1/2000 Sharrah et al.  
 6,024,471 A 2/2000 McDermott  
 6,046,572 A 4/2000 Matthews  
 D425,642 S 5/2000 Zeller  
 6,079,853 A 6/2000 Evans  
 6,140,776 A 10/2000 Rachwal  
 6,184,930 B1 2/2001 Mitsuhashi et al.  
 6,222,138 B1 4/2001 Matthews et al.  
 6,239,555 B1 5/2001 Rachwal  
 6,249,089 B1 6/2001 Bruwer  
 6,250,771 B1 6/2001 Sharrah et al.  
 6,296,367 B1 10/2001 Parsons et al.  
 6,307,328 B1 10/2001 Ko et al.  
 6,388,390 B2 5/2002 Rachwal  
 6,443,605 B1 9/2002 Kasboske  
 D467,375 S 12/2002 Lynch et al.  
 6,523,972 B2 2/2003 Sharrah et al.  
 6,621,225 B2 9/2003 Bruwer  
 6,650,066 B2 11/2003 Bruwer  
 6,659,621 B2 12/2003 Sharrah et al.  
 D487,810 S 3/2004 Kingston et al.  
 6,817,730 B2 11/2004 Sharrah et al.  
 6,841,941 B2 1/2005 Kim et al.  
 D505,739 S 5/2005 Hajianpour  
 6,913,371 B2 \* 7/2005 Ping ..... F21L 4/045  
 362/197  
 6,952,084 B2 10/2005 Bruwer  
 D512,791 S \* 12/2005 Ping ..... D26/43  
 6,984,900 B1 1/2006 Bruwer  
 D518,213 S \* 3/2006 Ping ..... D26/44  
 D536,464 S \* 2/2007 Kingston ..... H05B 35/00  
 D26/43  
 7,229,189 B2 \* 6/2007 Parker ..... F21L 4/04  
 362/191  
 D548,863 S 8/2007 Shiu  
 D549,379 S 8/2007 Sharrah  
 D560,297 S 1/2008 Brown et al.  
 7,344,270 B2 3/2008 Kim  
 D567,418 S \* 4/2008 Gilbert ..... D26/43

8,779,683 B2 7/2014 Snyder  
 D713,077 S \* 9/2014 Hao ..... D26/37  
 8,833,962 B2 \* 9/2014 Ko ..... F21L 4/045  
 362/199  
 8,905,573 B2 \* 12/2014 Sharrah ..... F21L 4/005  
 362/205  
 D728,139 S \* 4/2015 Wang ..... D26/49  
 D767,184 S 9/2016 Fitch et al.  
 9,739,467 B1 \* 8/2017 Lehman ..... F21V 23/0414  
 D824,063 S \* 7/2018 Hutchens ..... D26/60  
 10,030,847 B2 7/2018 Worman et al.  
 D829,354 S \* 9/2018 Cacciabeve ..... D26/37  
 D833,661 S \* 11/2018 Ma ..... D26/45  
 10,119,663 B2 \* 11/2018 Bayat ..... F21L 4/027  
 D837,428 S 1/2019 Arena  
 10,378,744 B2 \* 8/2019 Arena ..... F21L 4/02  
 10,400,962 B2 \* 9/2019 Keller ..... B25F 5/00  
 D866,030 S \* 11/2019 Bao ..... D26/44  
 D884,942 S \* 5/2020 Sharrah ..... D26/37  
 2002/0021573 A1 2/2002 Zhang  
 2002/0097576 A1 7/2002 Sharrah et al.  
 2003/0151914 A1 \* 8/2003 Kish ..... F21V 19/047  
 362/183  
 2004/0217655 A1 11/2004 Bruwer  
 2004/0227409 A1 11/2004 Bruwer  
 2005/0077837 A1 4/2005 Kim et al.  
 2005/0083626 A1 4/2005 Bruwer  
 2005/0121980 A1 6/2005 Bruwer  
 2005/0122710 A1 6/2005 Kim  
 2005/0122712 A1 6/2005 Kim  
 2005/0122714 A1 6/2005 Matthews et al.  
 2005/0128741 A1 6/2005 Matthews et al.  
 2005/0140310 A1 6/2005 Bruwer  
 2005/0237737 A1 10/2005 Kim  
 2006/0044792 A1 \* 3/2006 Dallas ..... G01N 21/29  
 362/184  
 2012/0182723 A1 \* 7/2012 Sharrah ..... F21L 4/005  
 362/157  
 2016/0018071 A1 \* 1/2016 Sharrah ..... F21V 21/0885  
 362/184  
 2016/0018090 A1 \* 1/2016 Sharrah ..... F21L 4/027  
 362/184  
 2020/0224836 A1 \* 7/2020 McLennan ..... F21V 23/0492

OTHER PUBLICATIONS

www.amazon.com: New Work Flashlight, Magnetic Base Work  
 10W Flashlight Rechargeable, Handheld Flashlights 360° Rotate .  
 Date uploaded Dec. 15, 2019 [site visited Sep. 2, 2020]. Retrieved  
 from internet, <[https://www.amazon.com/Flashlight-Rechargeable-  
 Flashlights-Inspection-Household/ . . .](https://www.amazon.com/Flashlight-Rechargeable-Flashlights-Inspection-Household/) > (Year: 2019).  
 Streamlight, Inc., "Portable Light Having a Movable Head", Design  
 U.S. Appl. No. 29/716,897, filed Dec. 12, 2019, 30 pages.  
 SureFire U2 Ultra LED Flashlight (including larger image), ©  
 2001-2005, [http://www.surefire.com/maxexp/main/co\\_disp/displ/  
 prfnbr/24187/sesent/00](http://www.surefire.com/maxexp/main/co_disp/displ/prfnbr/24187/sesent/00), Printed Dec. 1, 2005, 3 pages.  
 LED Lights Comparison Chart, [http://www.surefire.com/surefire/  
 content/comparechart\\_LED.htm](http://www.surefire.com/surefire/content/comparechart_LED.htm) 1, Printed Dec. 5, 2005, 1 page.  
 Flashlight Reviews and LED Modifications, FlashlightReviews.  
 com, "In2theLight Trio, 29 LED Flashlight", prior to Sep. 18, 2017  
 filing date, 7pages.  
 Hama, "Walk Light LED photos", prior to Sep. 18, 2017 filing date,  
 5 pages.

(56)

**References Cited**

OTHER PUBLICATIONS

Streamlight. "Sidewinder® Angle Head Flashlight w/C4® LED Product Fact Sheet", Mar. 31, 2008, 2pgs.

Streamlight. "Sidewinder® LED Hands Free Light", prior to Sep. 18, 2017 filing date, 2 pages. <https://www.streamlight.com/products/detail/index/sidewinder>.

\* cited by examiner

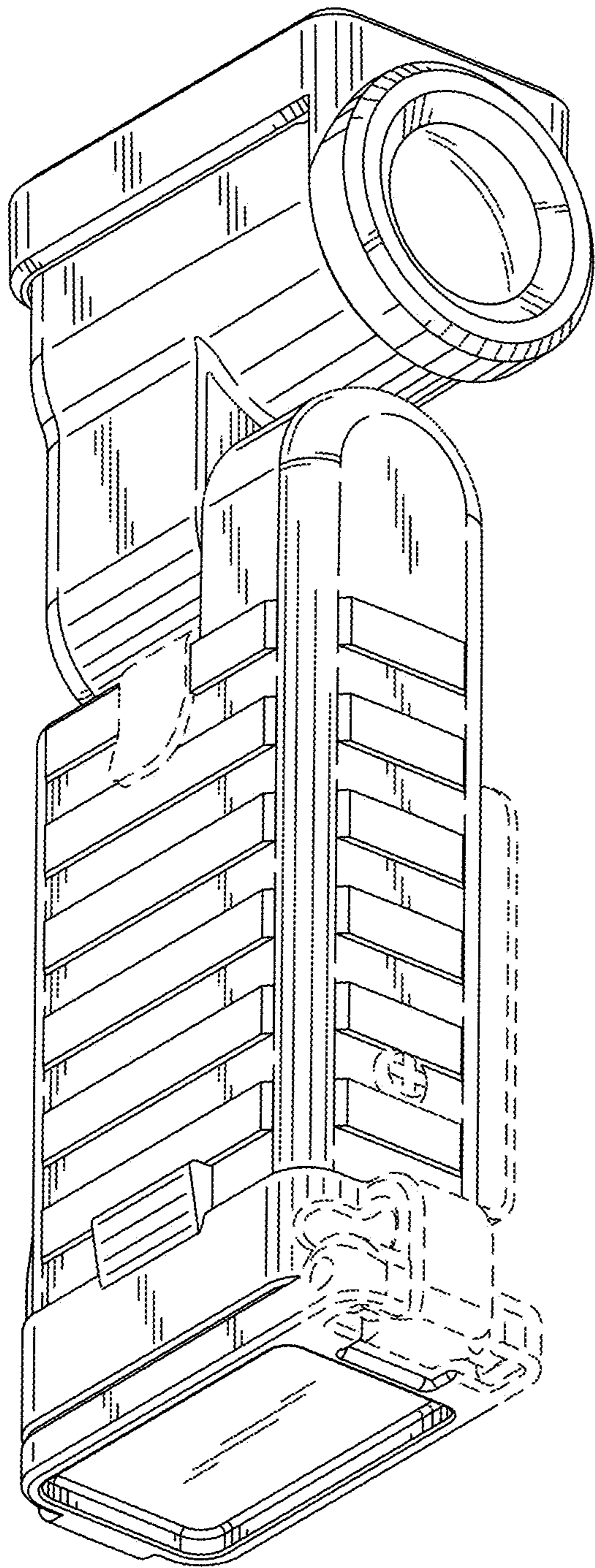


FIG. 1

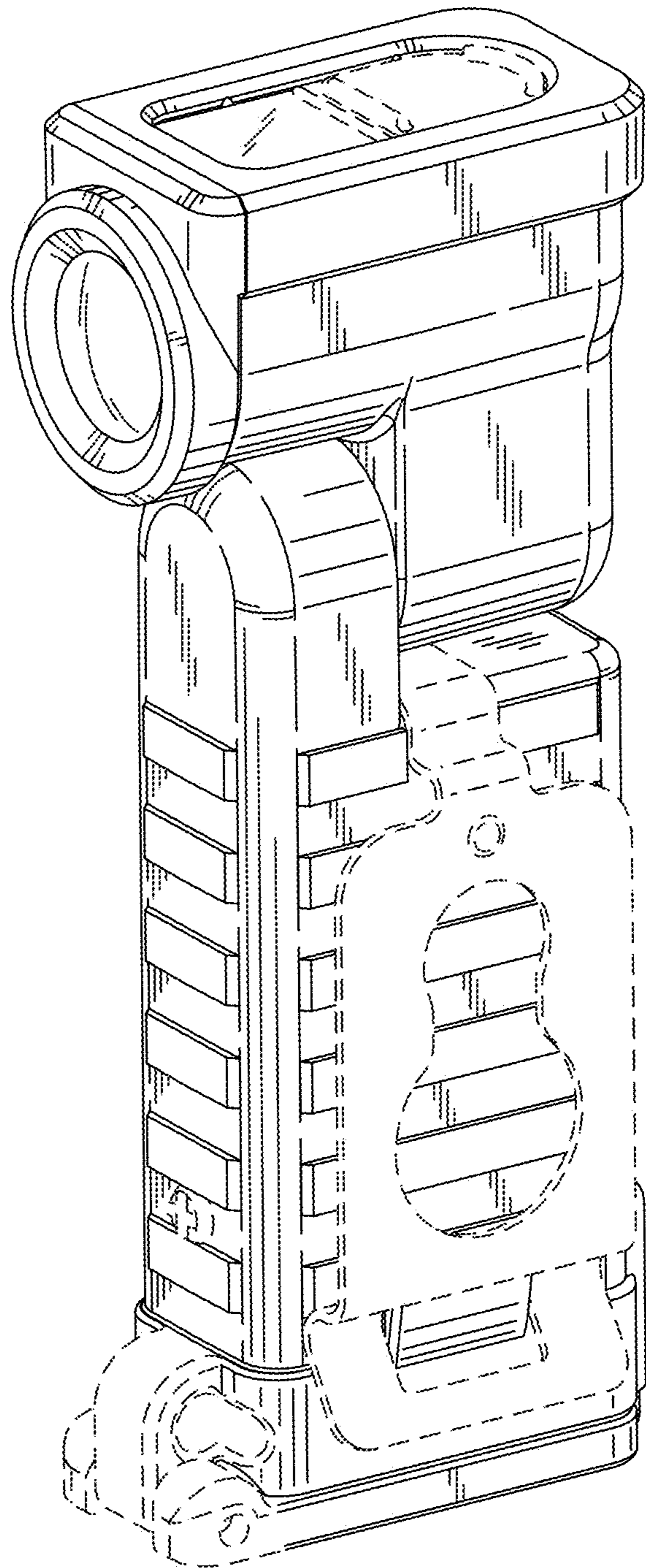


FIG. 2

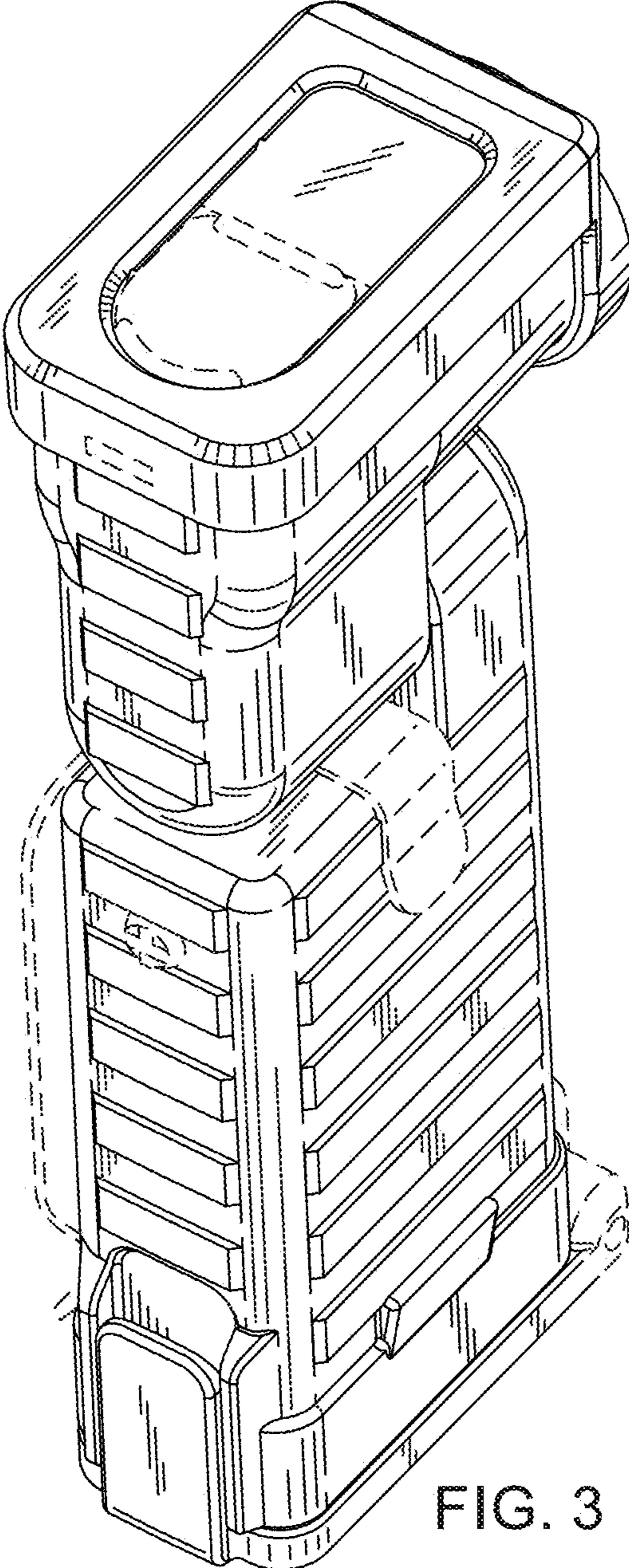


FIG. 3

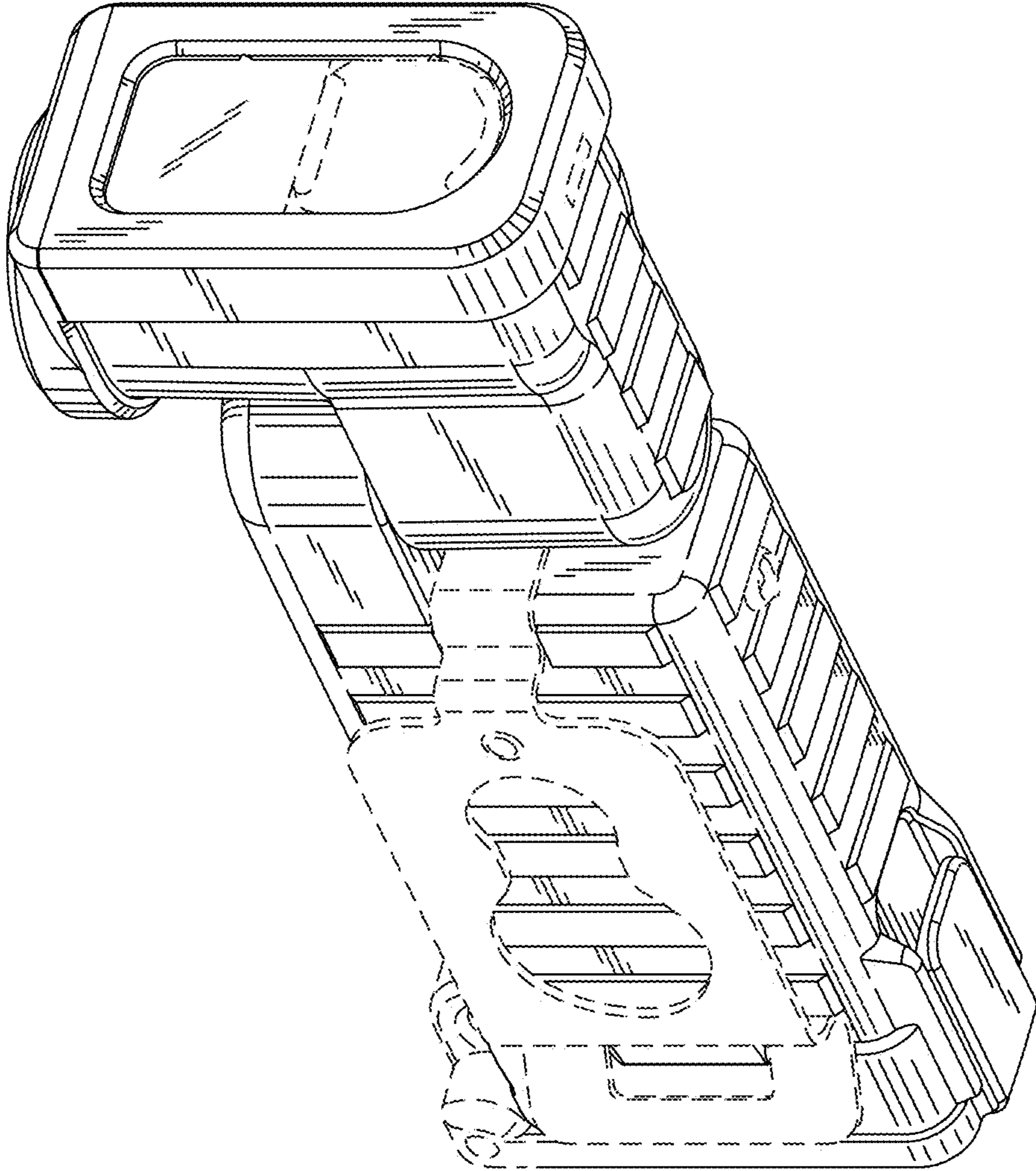


FIG. 4

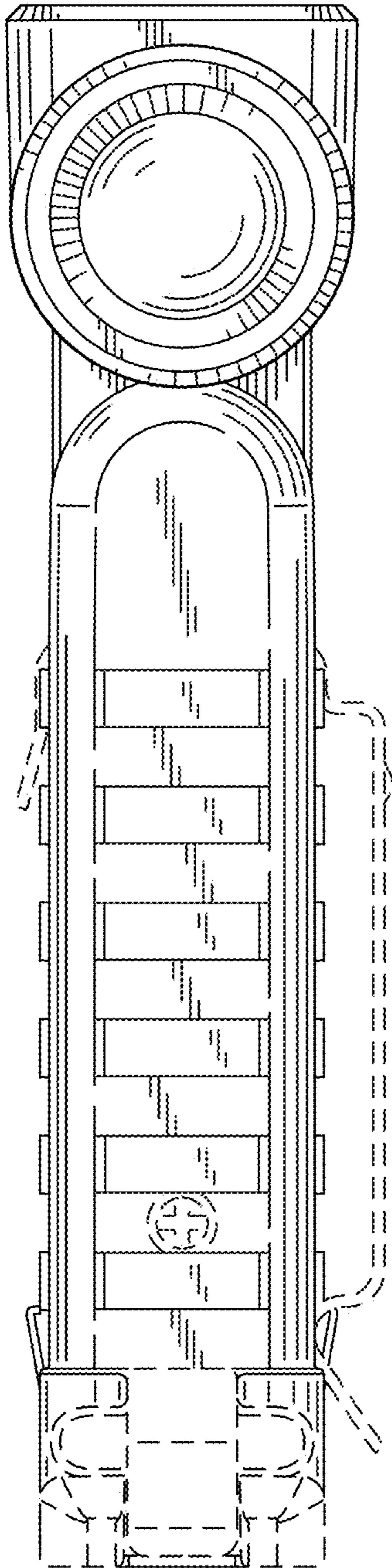


FIG. 5

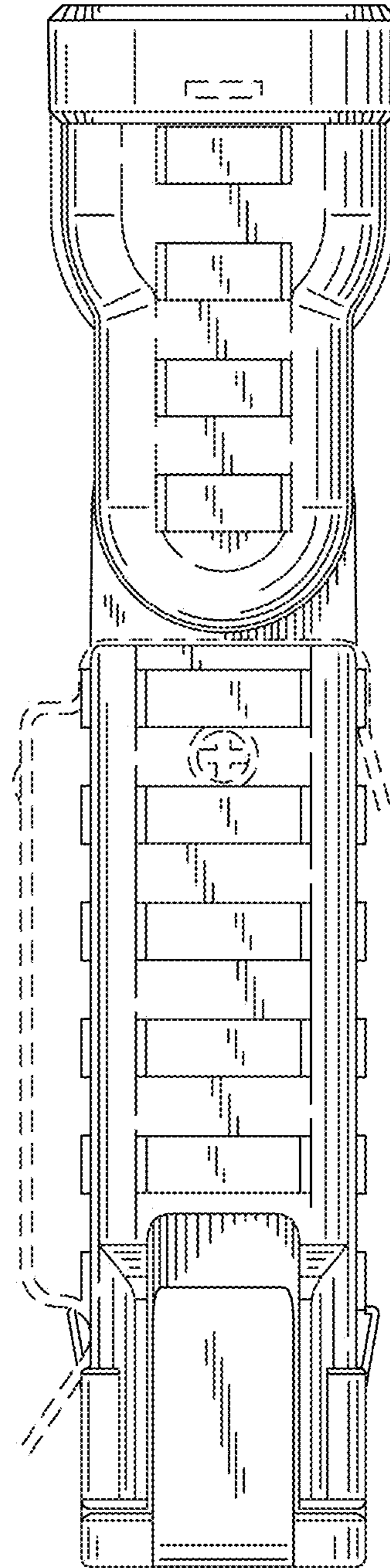


FIG. 6

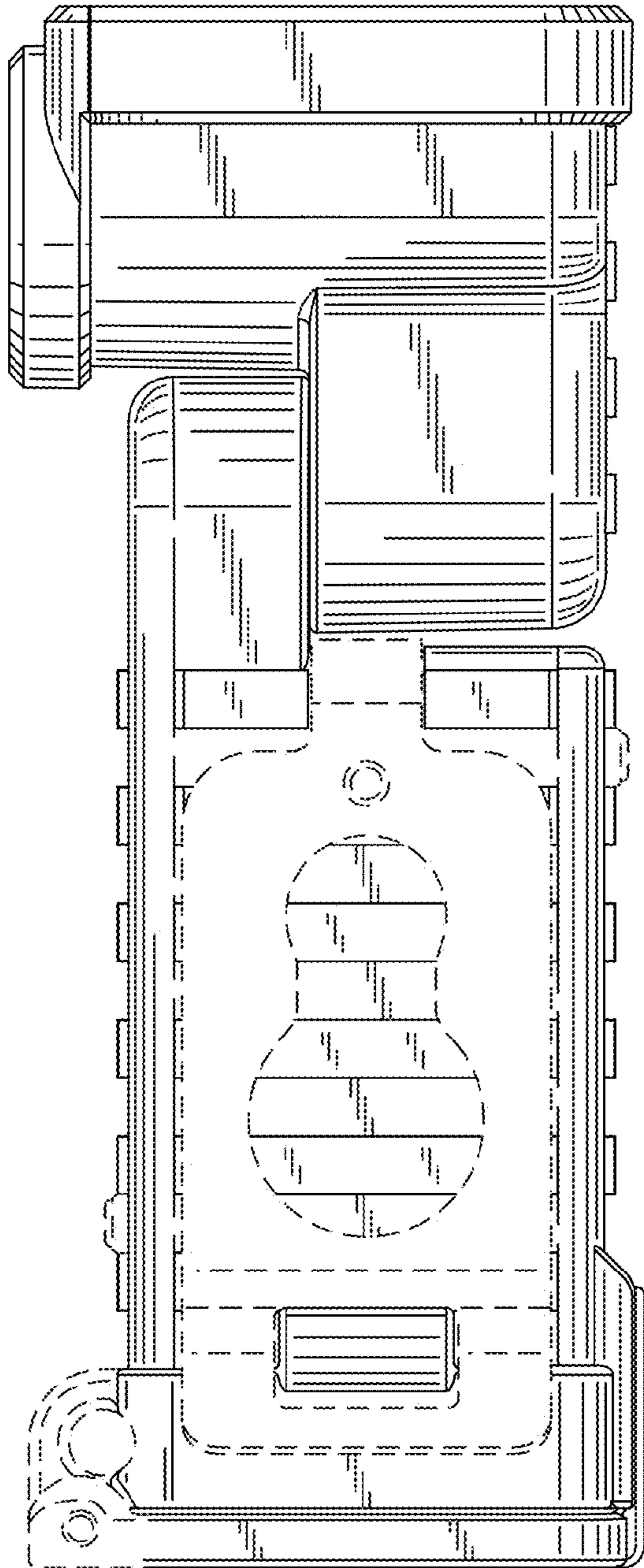


FIG. 7

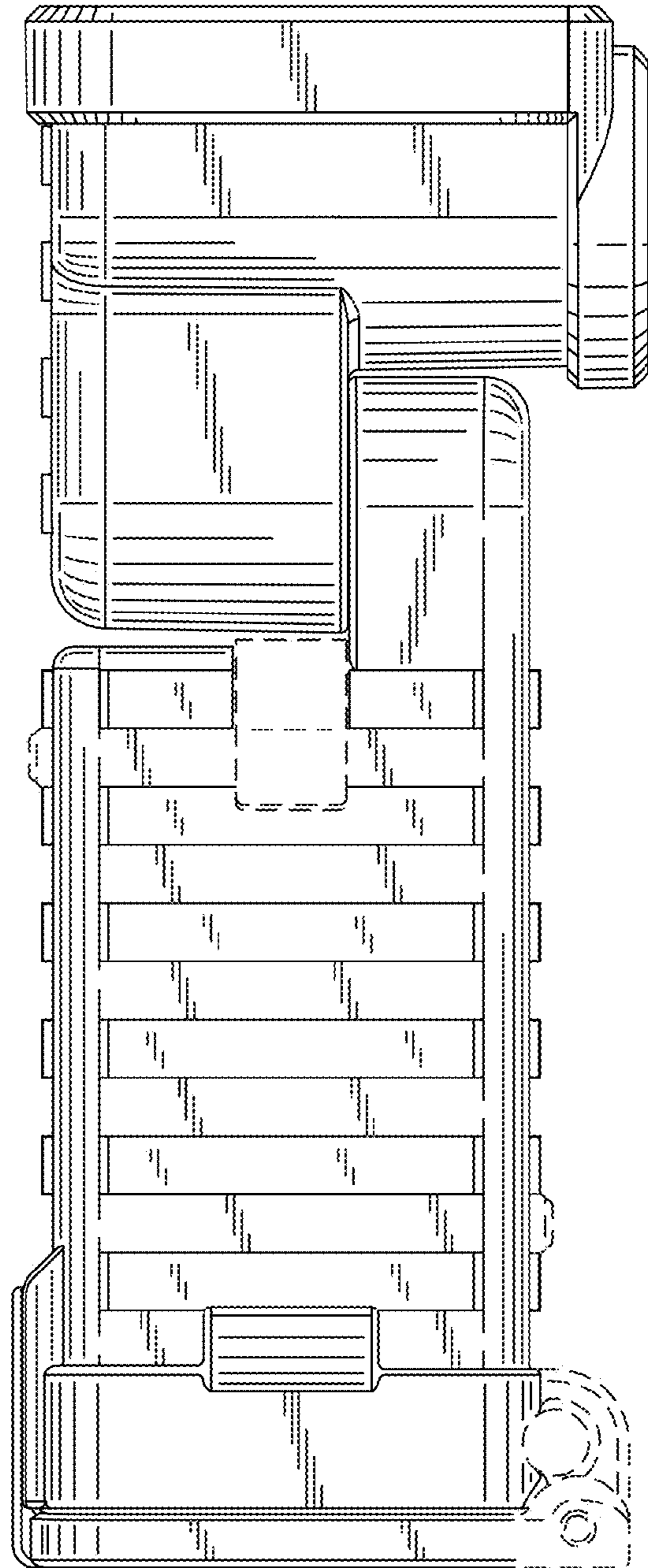


FIG. 8



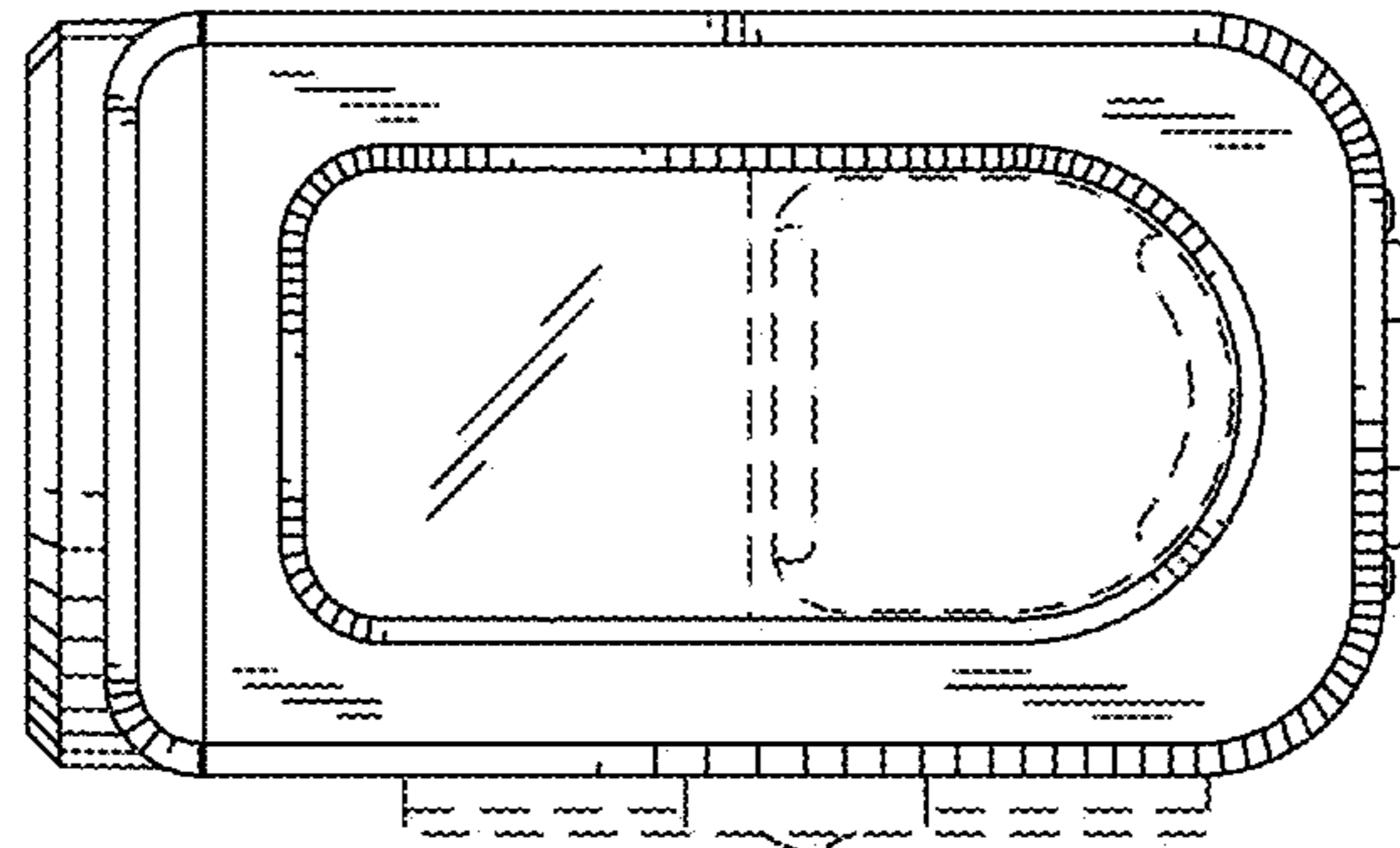


FIG. 9

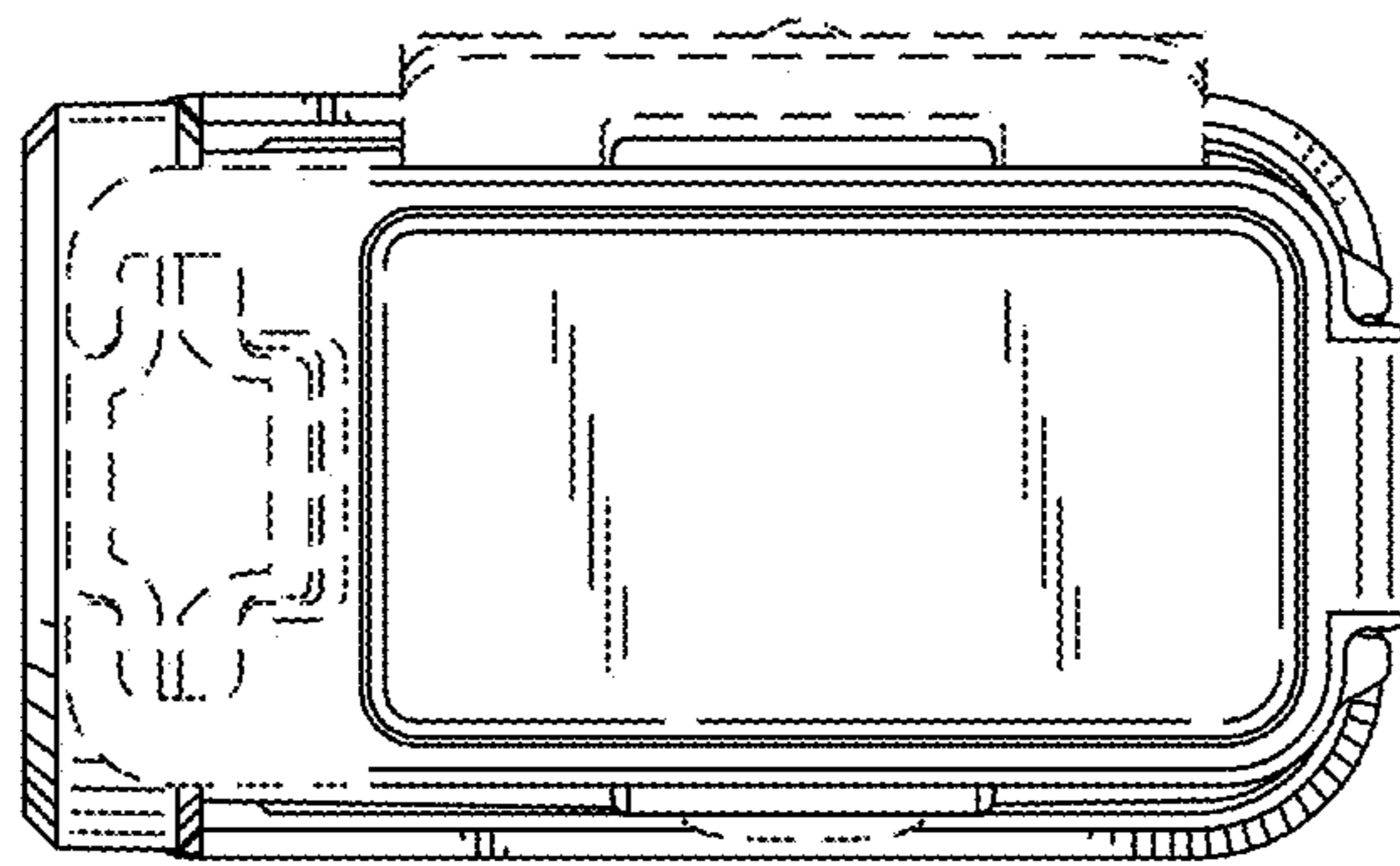


FIG. 10

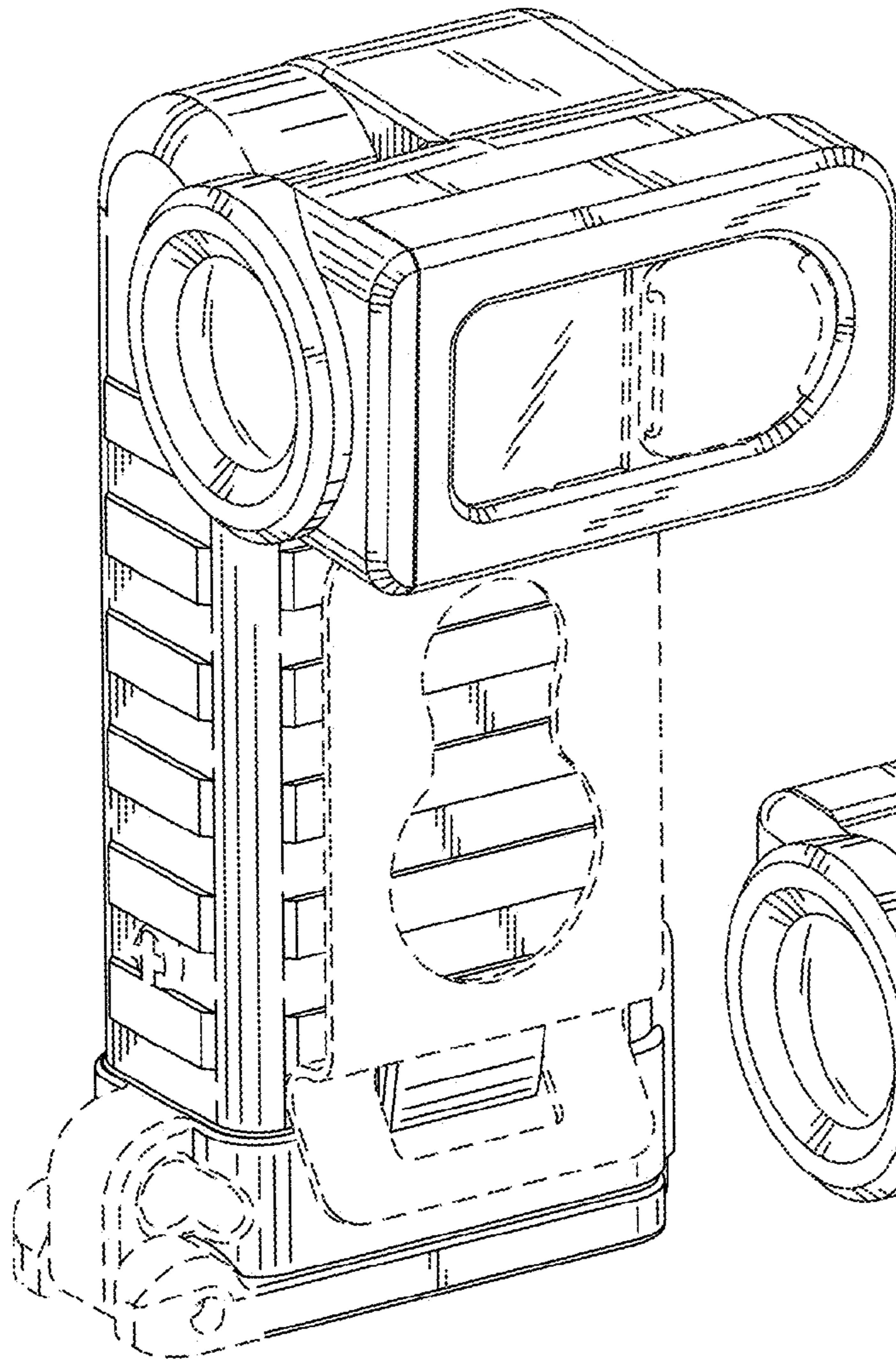


FIG. 11

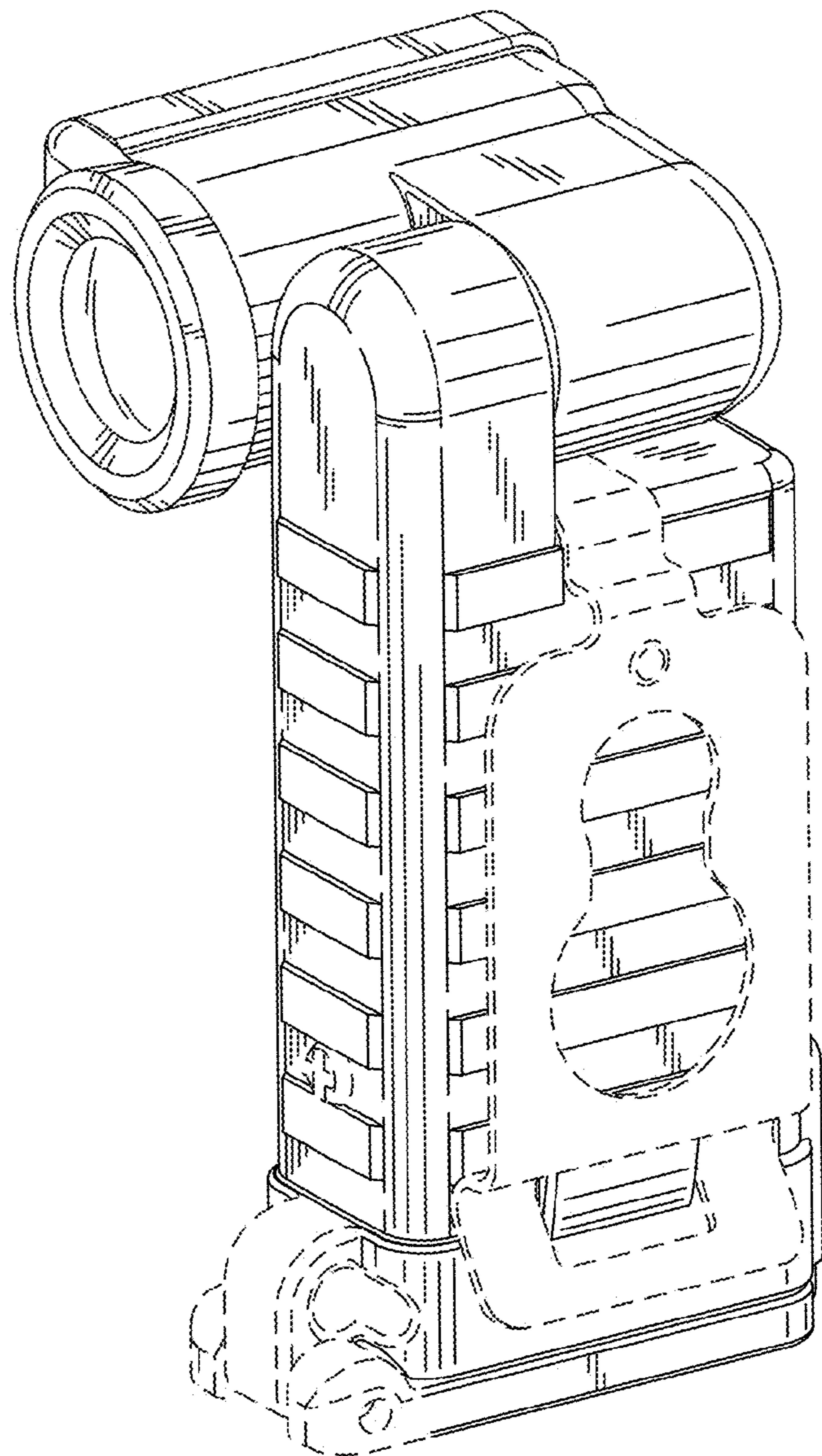


FIG. 12