



US00D907824S

(12) **United States Design Patent**  
**Wu**

(10) **Patent No.:** **US D907,824 S**  
(45) **Date of Patent:** **\*\* Jan. 12, 2021**

- (54) **FLASHLIGHT WITH HANDLE**
- (71) Applicant: **Liuning Wu**, Ningbo (CN)
- (72) Inventor: **Liuning Wu**, Ningbo (CN)
- (73) Assignee: **Ningbo Worth International Trade Co., Ltd.**, Ningbo (CN)

(\*\*) Term: **15 Years**

(21) Appl. No.: **29/670,078**

(22) Filed: **Nov. 13, 2018**

(51) **LOC (13) Cl.** ..... **26-02**

(52) **U.S. Cl.**  
USPC ..... **D26/41**

(58) **Field of Classification Search**  
USPC ..... D26/37-51, 56-57  
CPC ..... F21L 2/00; F21L 4/00; F21L 4/005; F21L 4/022; F21L 4/025; F21L 4/027; F21L 17/00; F21L 13/08; F21L 19/00; F21L 21/0085; F21L 21/084; F21W 2111/10  
See application file for complete search history.

(56) **References Cited**

**U.S. PATENT DOCUMENTS**

D296,009 S *	5/1988	Witusik	.....	D26/41
D341,337 S *	11/1993	Gerchman	.....	D11/216
D443,370 S *	6/2001	Yu	.....	D26/37
D467,672 S *	12/2002	Galli	.....	D26/37
6,511,214 B1 *	1/2003	Parsons	.....	A44B 15/005 362/116
D501,781 S *	2/2005	Galli	.....	D26/37
D528,689 S *	9/2006	Opolka	.....	D26/37
D544,116 S *	6/2007	Wai	.....	D26/37
D572,394 S *	7/2008	Dalton	.....	D26/37
D578,687 S *	10/2008	Hong	.....	D26/37
D584,710 S *	1/2009	Bishop	.....	D14/138 AD
8,540,404 B2 *	9/2013	Robinson	.....	F21L 4/005 362/387
D743,595 S *	11/2015	Fischer	.....	D26/38

D809,171 S *	1/2018	Ma	.....	D26/49
D831,250 S *	10/2018	Wu	.....	D26/49
D841,851 S *	2/2019	Wu	.....	D26/49
D843,623 S *	3/2019	Wu	.....	D26/49
10,259,695 B2 *	4/2019	Pontano	.....	B67B 7/16
D855,852 S *	8/2019	Wu	.....	D26/49
D894,455 S *	8/2020	Kunzendorf	.....	D26/41

**OTHER PUBLICATIONS**

amazon.com: Eton American Red Cross Clipray. Date uploaded Apr. 1, 2010. Retrieved from internet Oct. 30, 2020 from <[https://www.amazon.com/American-crank-powered-flashlight-smartphone-ARCCR100R-SNG/dp/B003BYROUQ/ref=sr\\_1\\_5?dchild=1&keywords=eton%2Bhand%2Bcrank%2Bflashlight&qid=1604071538&sr=8-5&th=1](https://www.amazon.com/American-crank-powered-flashlight-smartphone-ARCCR100R-SNG/dp/B003BYROUQ/ref=sr_1_5?dchild=1&keywords=eton%2Bhand%2Bcrank%2Bflashlight&qid=1604071538&sr=8-5&th=1)> (Year: 2010).\*

streamlight.com: Streamlight Nano Light. Undated online product page. Retrieved from internet Oct. 30, 2020 from <<https://www.streamlight.com/products/detail/index/nano-light>> (Year: 2020).\*

\* cited by examiner

*Primary Examiner* — Sheryl Lane

*Assistant Examiner* — Stacey L Hopkins

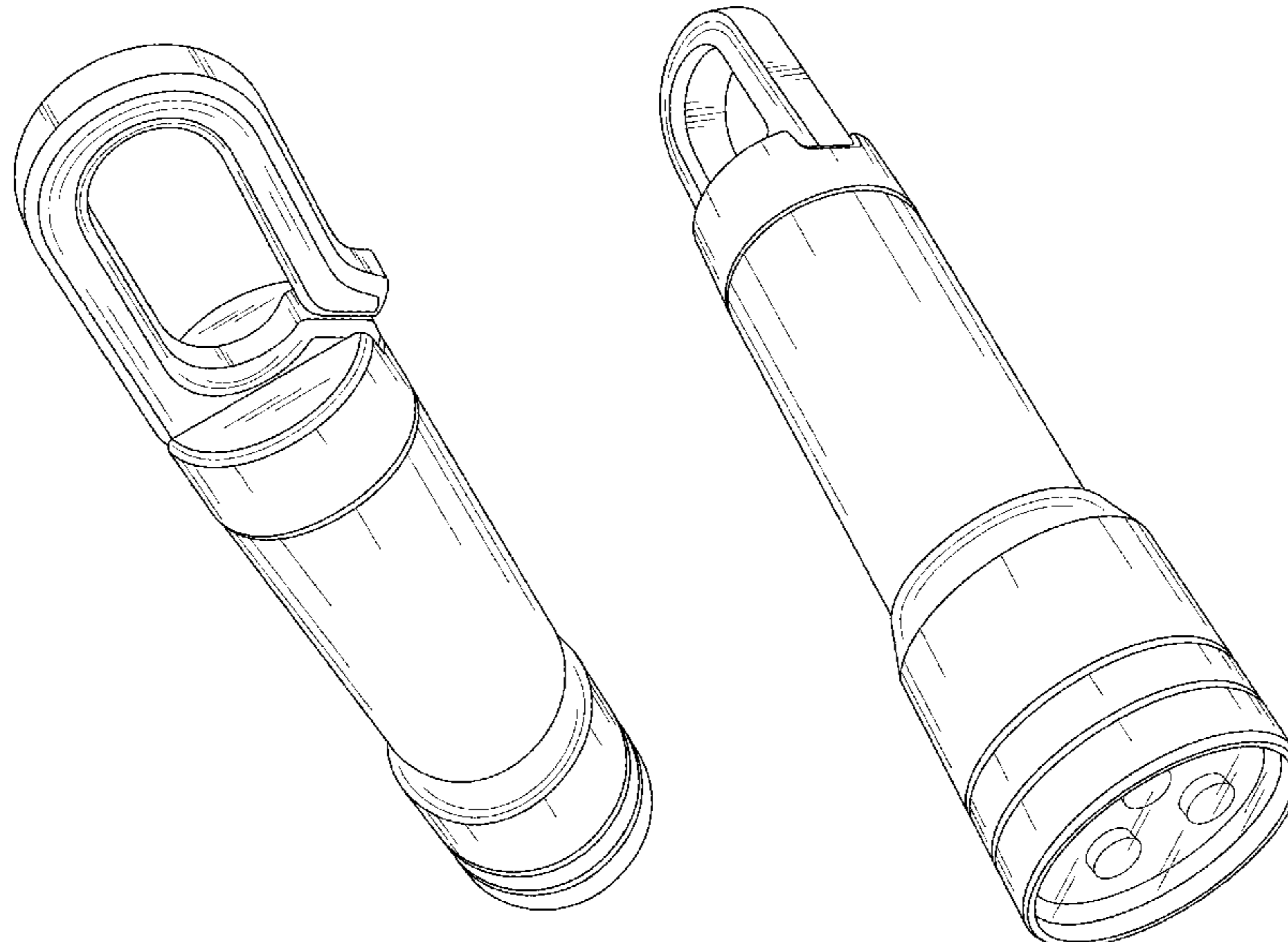
(57) **CLAIM**

The ornamental design for a flashlight with handle, as shown and described.

**DESCRIPTION**

FIG. 1 is a front side perspective view of the flashlight with handle, showing my new design;  
FIG. 2 is a rear perspective view thereof;  
FIG. 3 is a left side view thereof;  
FIG. 4 is a right side view thereof;  
FIG. 5 is a front view thereof;  
FIG. 6 is a back view thereof;  
FIG. 7 is a top view thereof; and,  
FIG. 8 is a bottom view of the flashlight with handle.

**1 Claim, 5 Drawing Sheets**



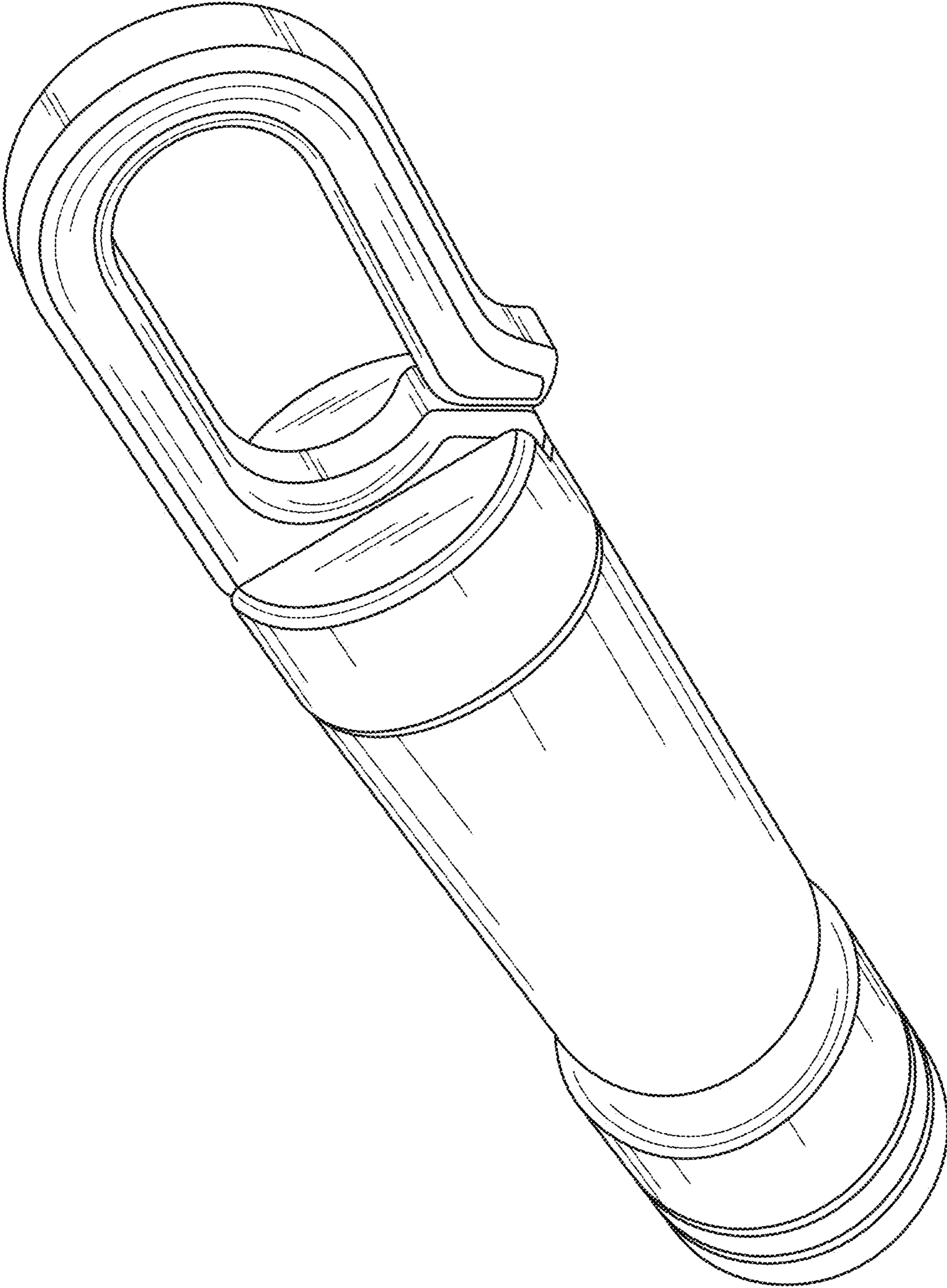


FIG. 1

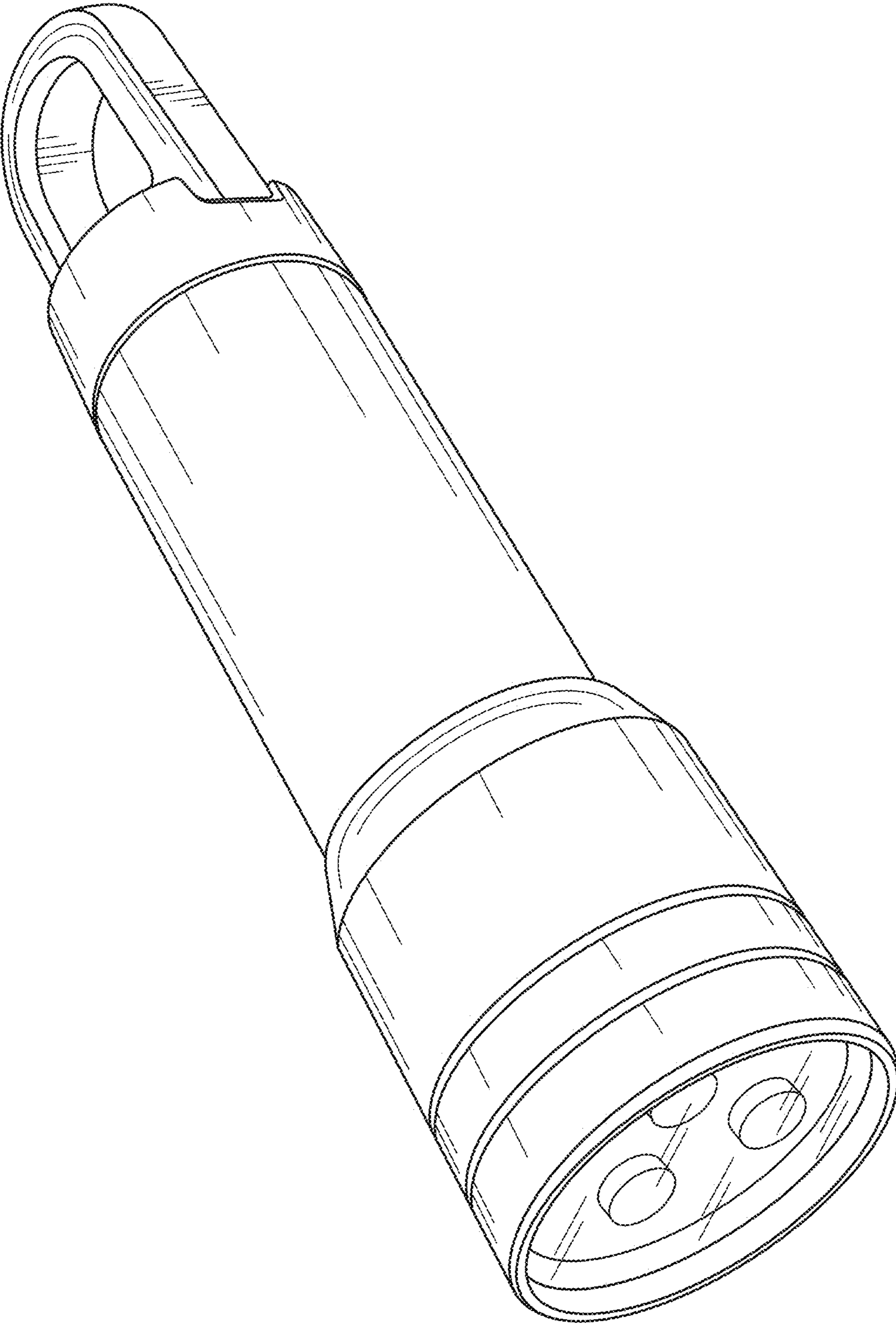


FIG. 2



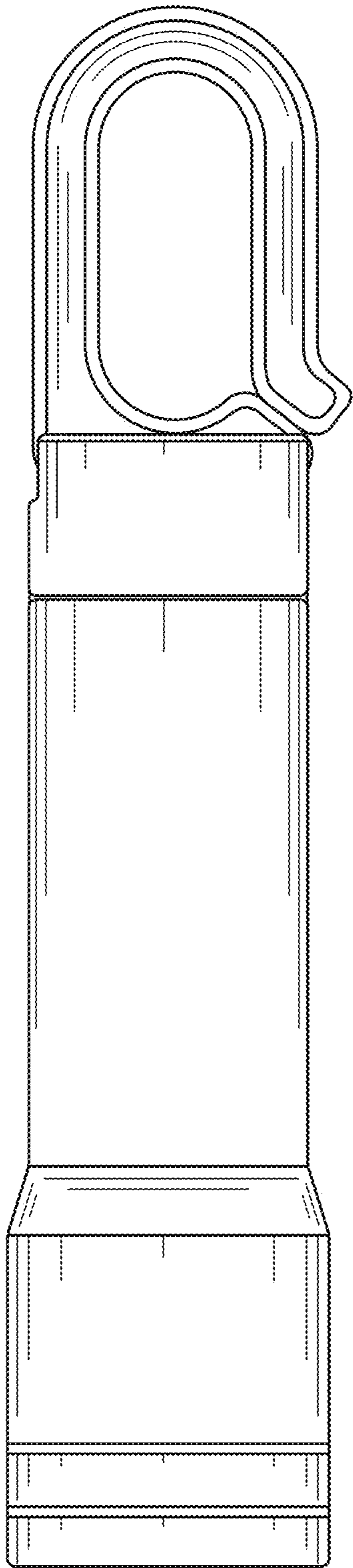


FIG. 3

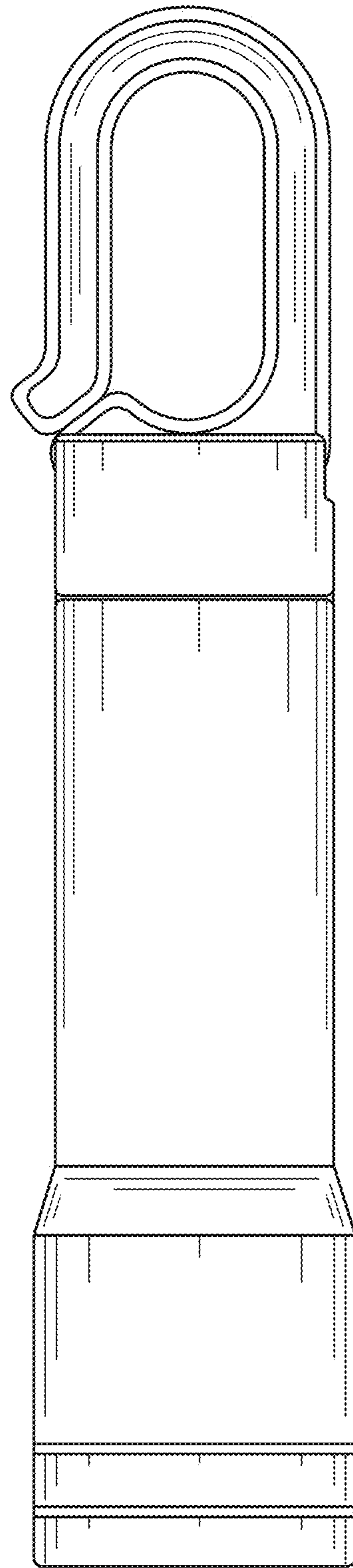


FIG. 4

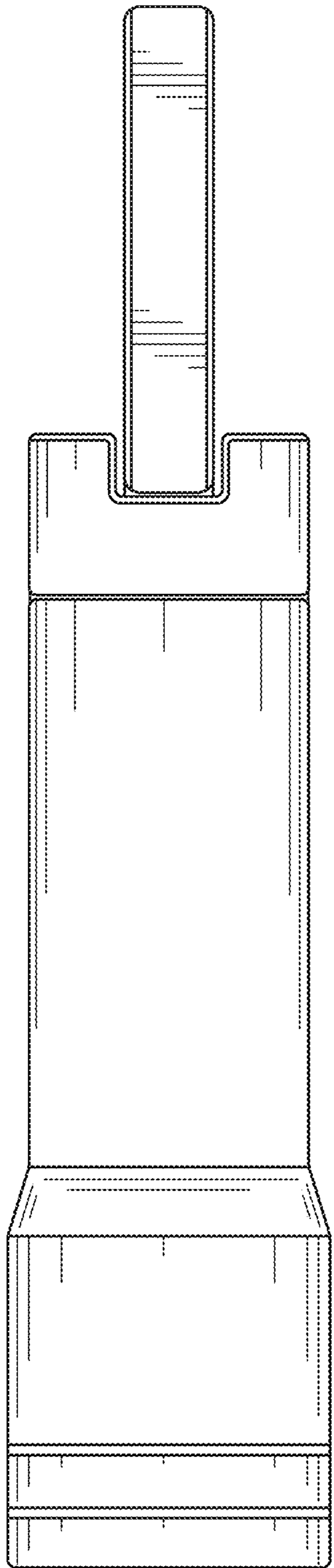


FIG. 5

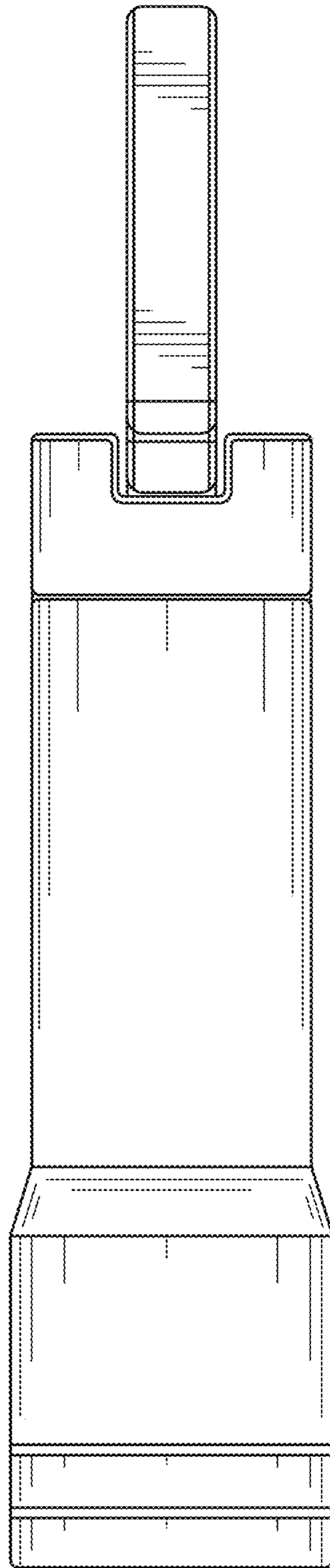


FIG. 6

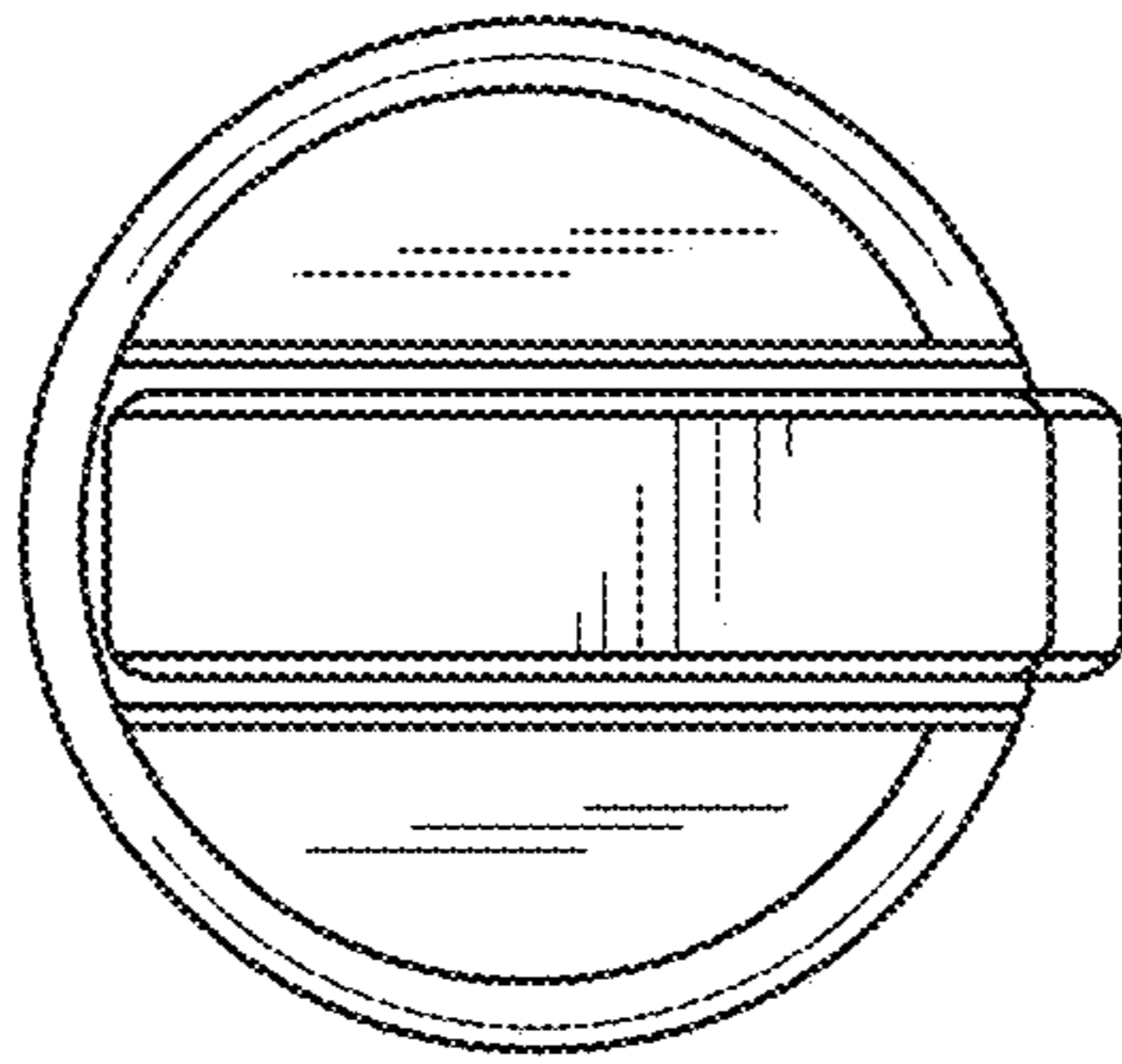


FIG. 7

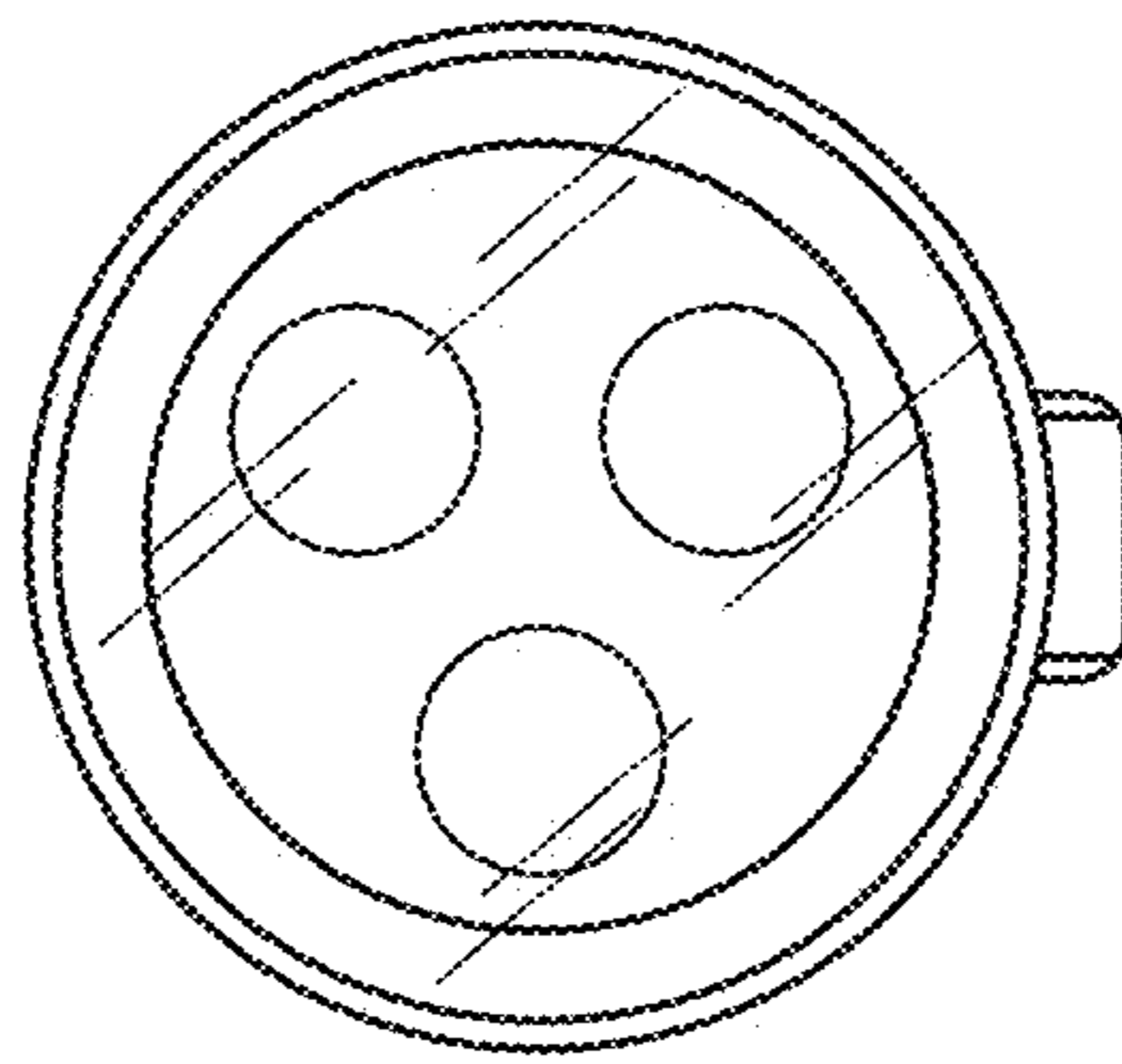


FIG. 8