

US00D907822S

(12) **United States Design Patent** (10) **Patent No.:** **US D907,822 S**  
**Karl, IV et al.** (45) **Date of Patent:** **\*\* Jan. 12, 2021**

(54) **HEADLAMP**

(56) **References Cited**

(71) Applicant: **Shock Doctor, Inc.**, Fountain Valley, CA (US)  
(72) Inventors: **Adam Peter Karl, IV**, Burlington, VT (US); **Benjamin Casey Lanza**, Sheldon, VT (US); **James Creath Frazier**, Hinesburg, VT (US)  
(73) Assignee: **Shock Doctor, Inc.**, Fountain Valley, CA (US)  
(\*\*) Term: **15 Years**  
(21) Appl. No.: **29/678,439**  
(22) Filed: **Jan. 29, 2019**

U.S. PATENT DOCUMENTS

D566,310	S	*	4/2008	Alessio	.....	D26/39
D581,567	S	*	11/2008	Crawford	.....	D26/38
D583,971	S	*	12/2008	Castellucci	.....	D26/39
D614,786	S	*	4/2010	Lee	.....	D26/39
D712,579	S	*	9/2014	Cen	.....	D26/39
D726,943	S	*	4/2015	Petzl	.....	D26/39
D752,261	S	*	3/2016	Ma	.....	D26/39
D756,552	S	*	5/2016	Kunzendorf	.....	D26/39
D788,339	S	*	5/2017	Koshiba	.....	D26/39
D812,793	S	*	3/2018	Huang	.....	D26/39
D830,601	S	*	10/2018	Petzl	.....	D26/39
D843,622	S	*	3/2019	Karl, IV	.....	D26/39

\* cited by examiner

*Primary Examiner* — Lakiya G Rogers

*Assistant Examiner* — Carissa C Fitts

(74) *Attorney, Agent, or Firm* — Faegre Drinker Biddle & Reath LLP

**Related U.S. Application Data**

(62) Division of application No. 29/522,901, filed on Apr. 3, 2015, now Pat. No. Des. 843,622.

(51) **LOC (13) Cl.** ..... **26-02**

(52) **U.S. Cl.**  
USPC ..... **D26/39**

(58) **Field of Classification Search**

USPC ..... D26/37-51

CPC ..... F21L 2003/00; F21L 4/005; F21L 4/02; F21L 4/025; F21L 4/027; F21L 4/04; F21L 4/08; F21L 2005/00; F21L 7/00; F21L 11/00; F21L 13/00; F21L 13/04; F21L 13/08; F21L 14/02; F21L 17/00; F21L 19/00; F21L 25/00; F21L 2/00; F21L 4/00-4/085; F21L 15/00-15/14; F21L 2001/00

See application file for complete search history.

(57) **CLAIM**

The ornamental design for a headlamp, as shown and described.

**DESCRIPTION**

FIG. 1 is an isometric view of a headlamp according to our invention;

FIG. 2 is a front view thereof;

FIG. 3 is a back view thereof;

FIG. 4 is a top view thereof;

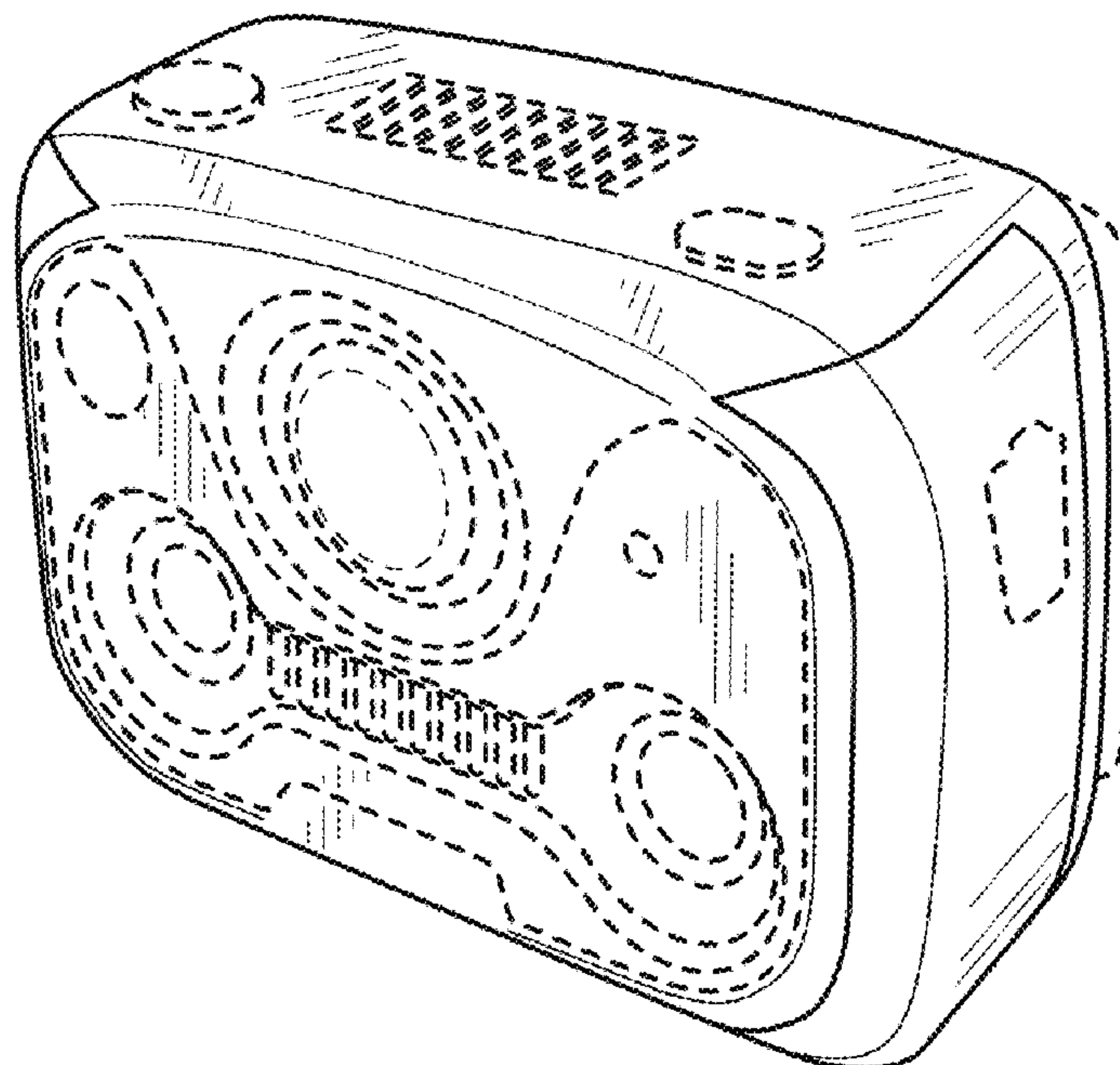
FIG. 5 is a bottom view thereof;

FIG. 6 is a left side view thereof; and,

FIG. 7 is a right side view thereof.

The broken lines show portions of the article not claimed and form no part of the claimed design.

**1 Claim, 2 Drawing Sheets**



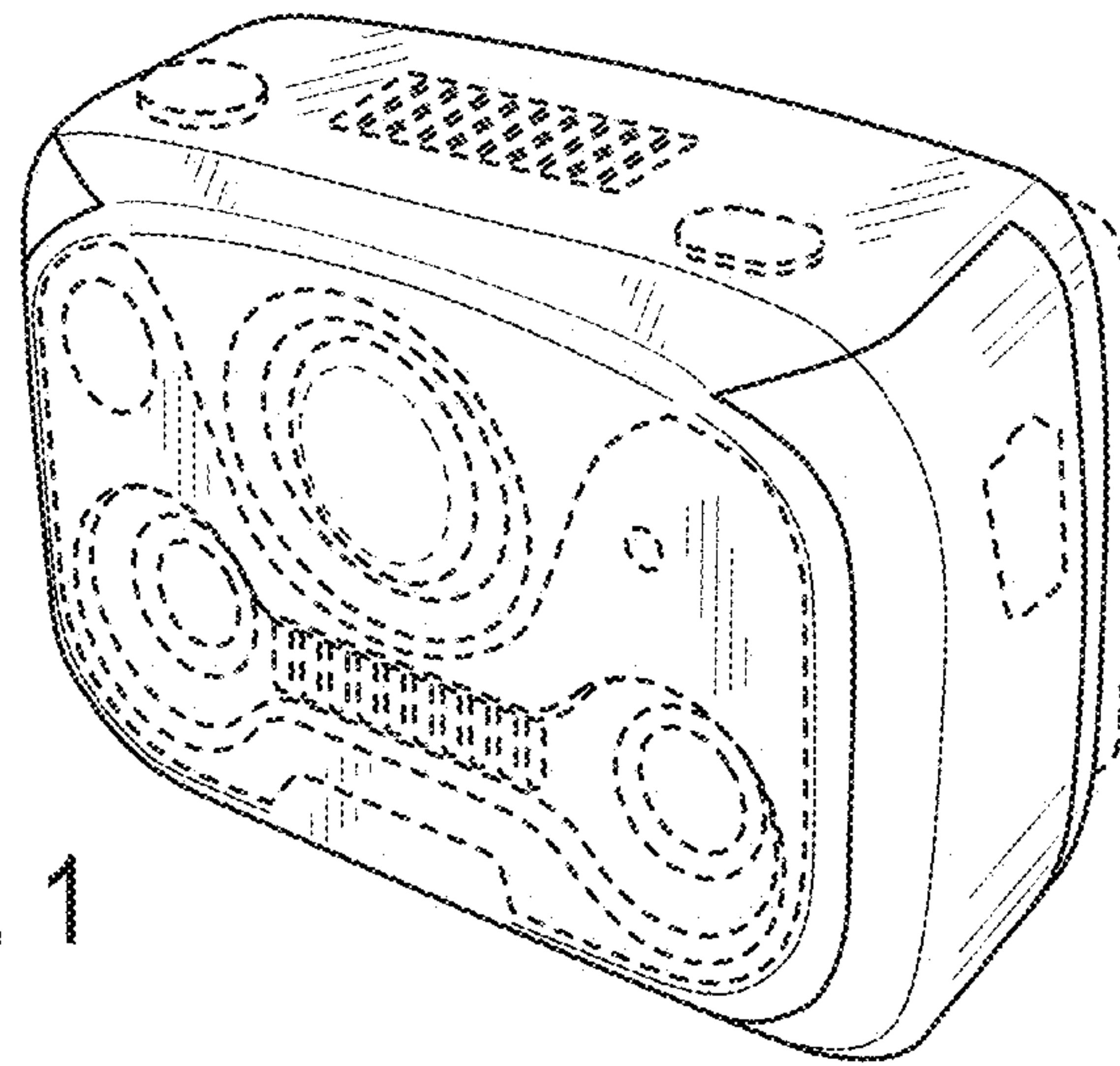


FIG. 1

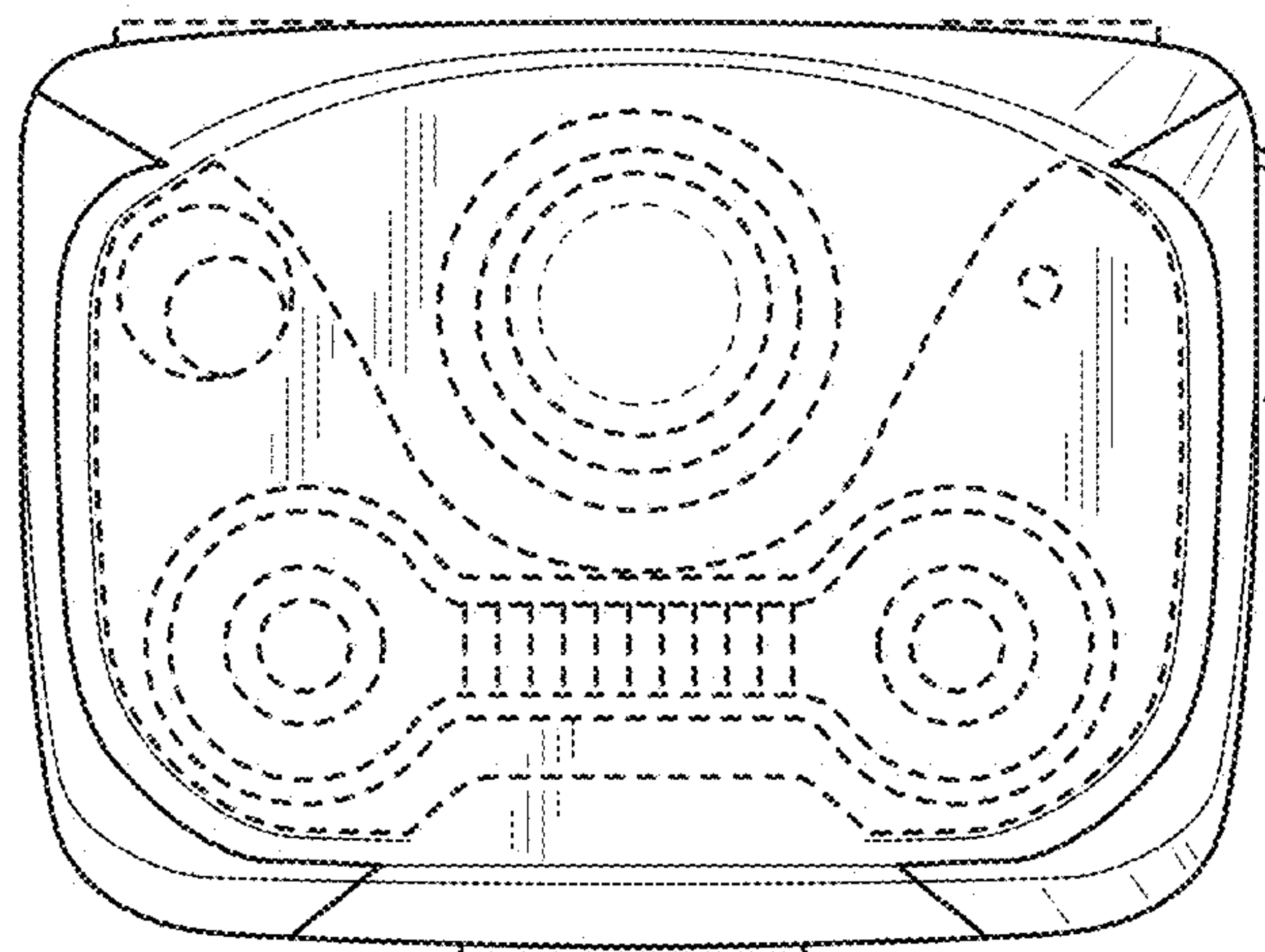


FIG. 2

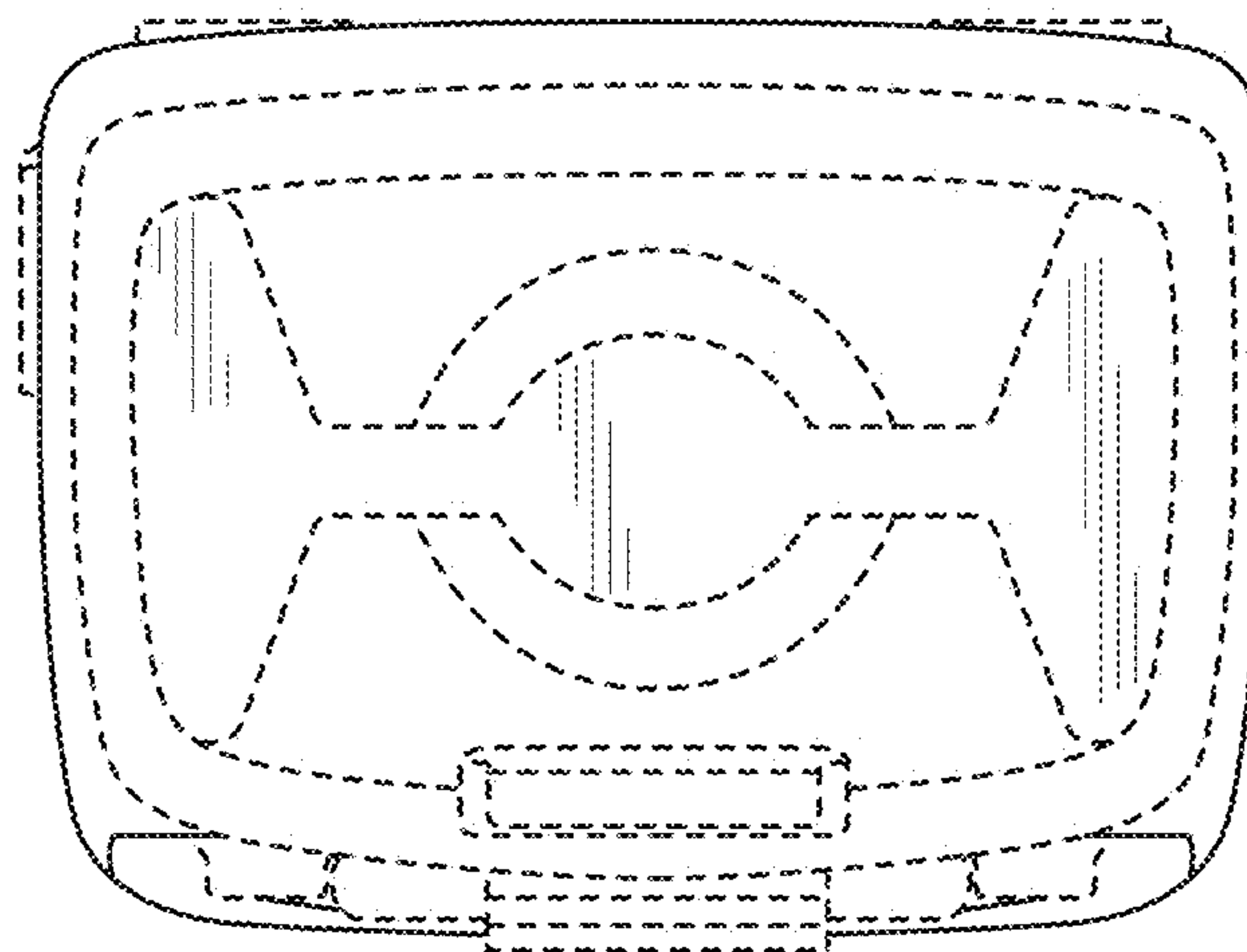


FIG. 3

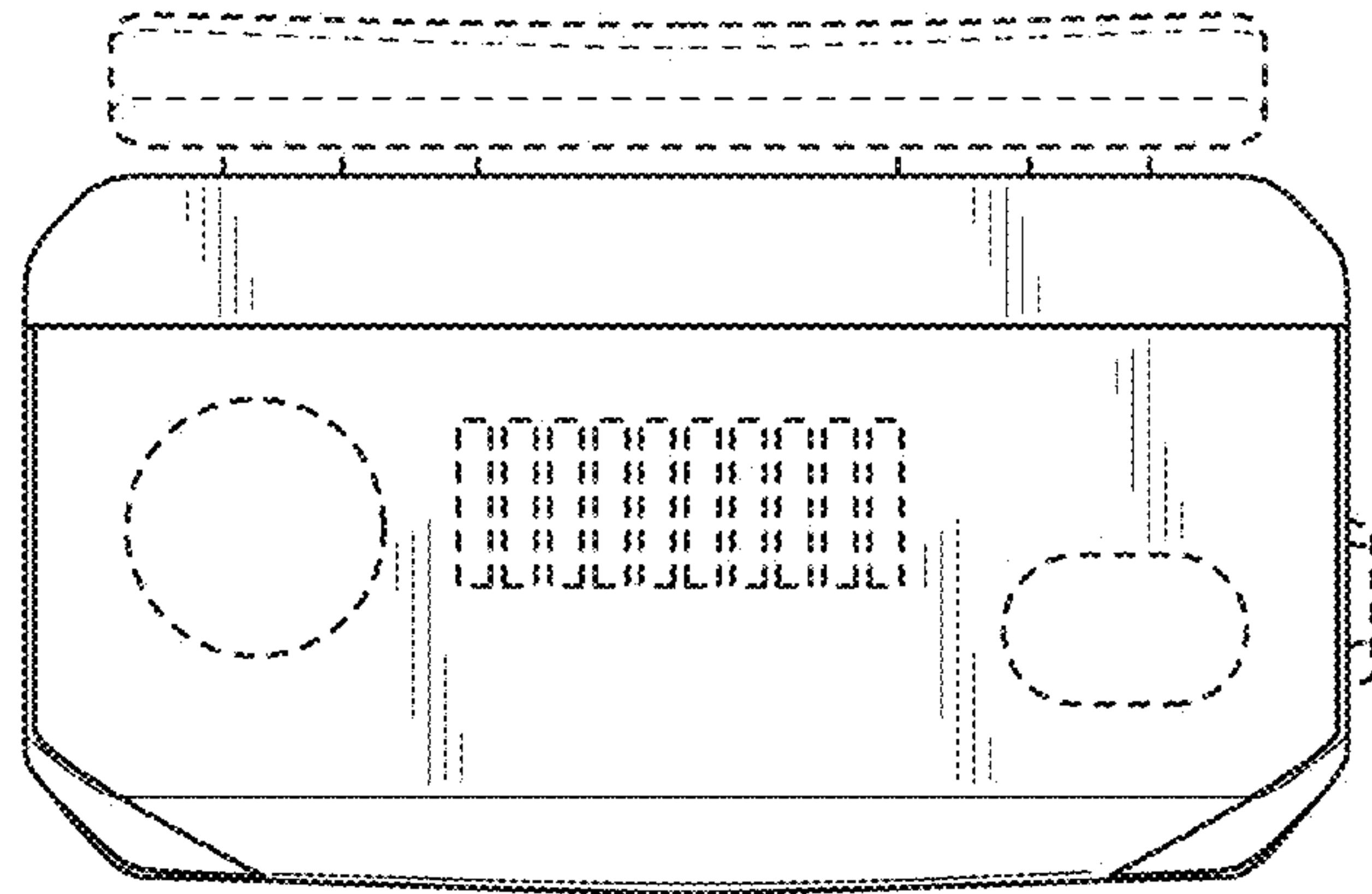


FIG. 4

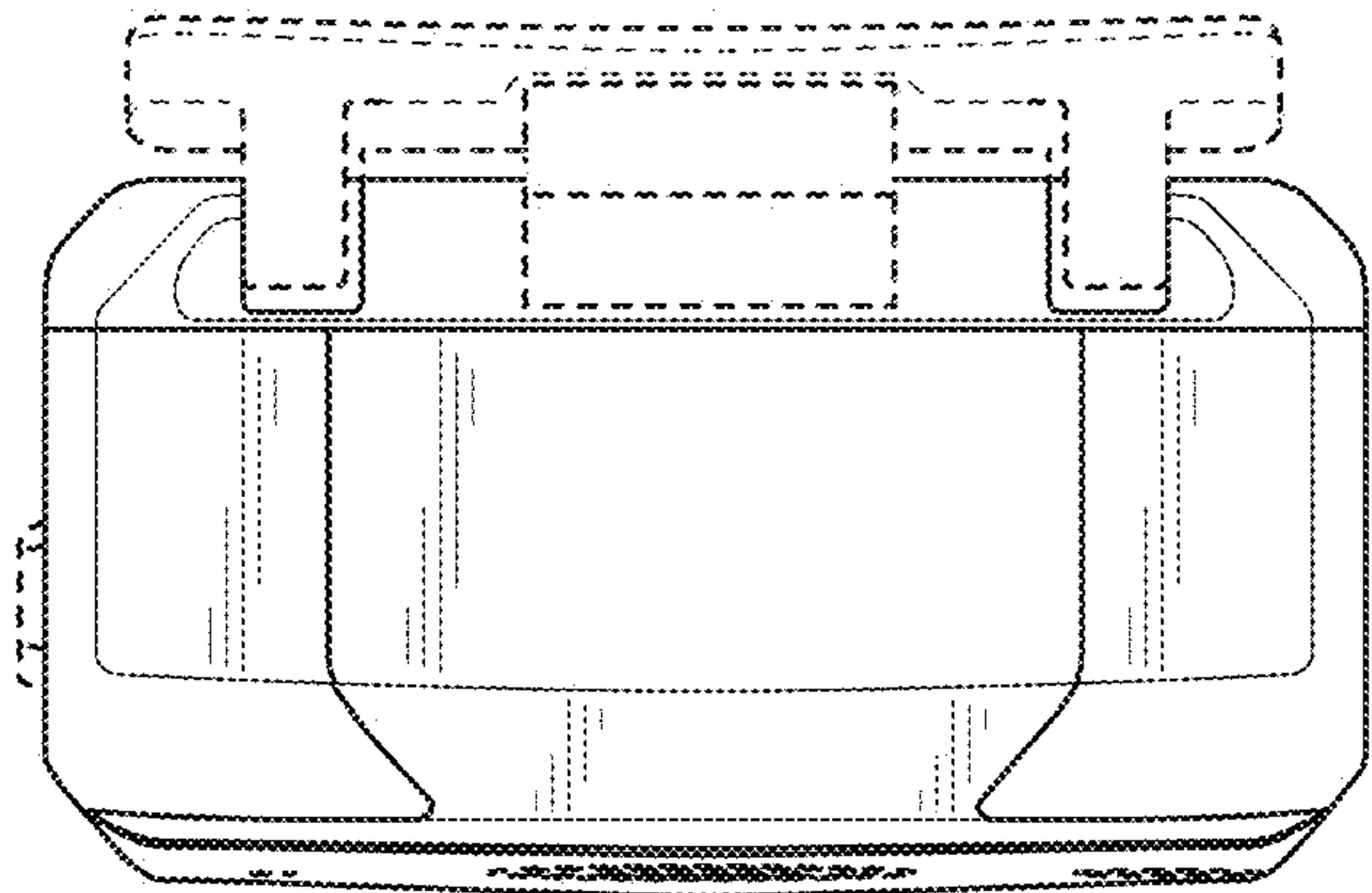


FIG. 5

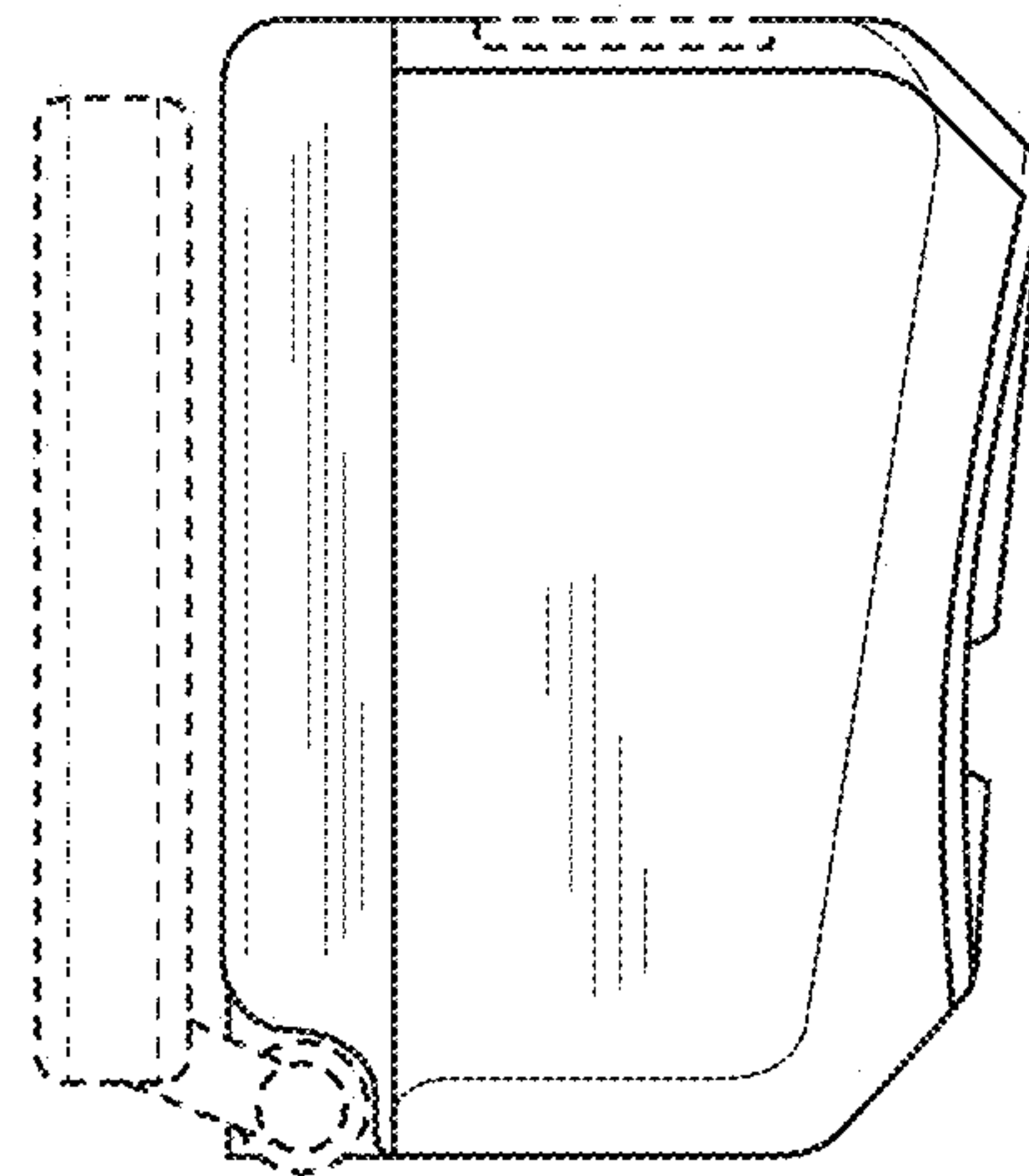


FIG. 6

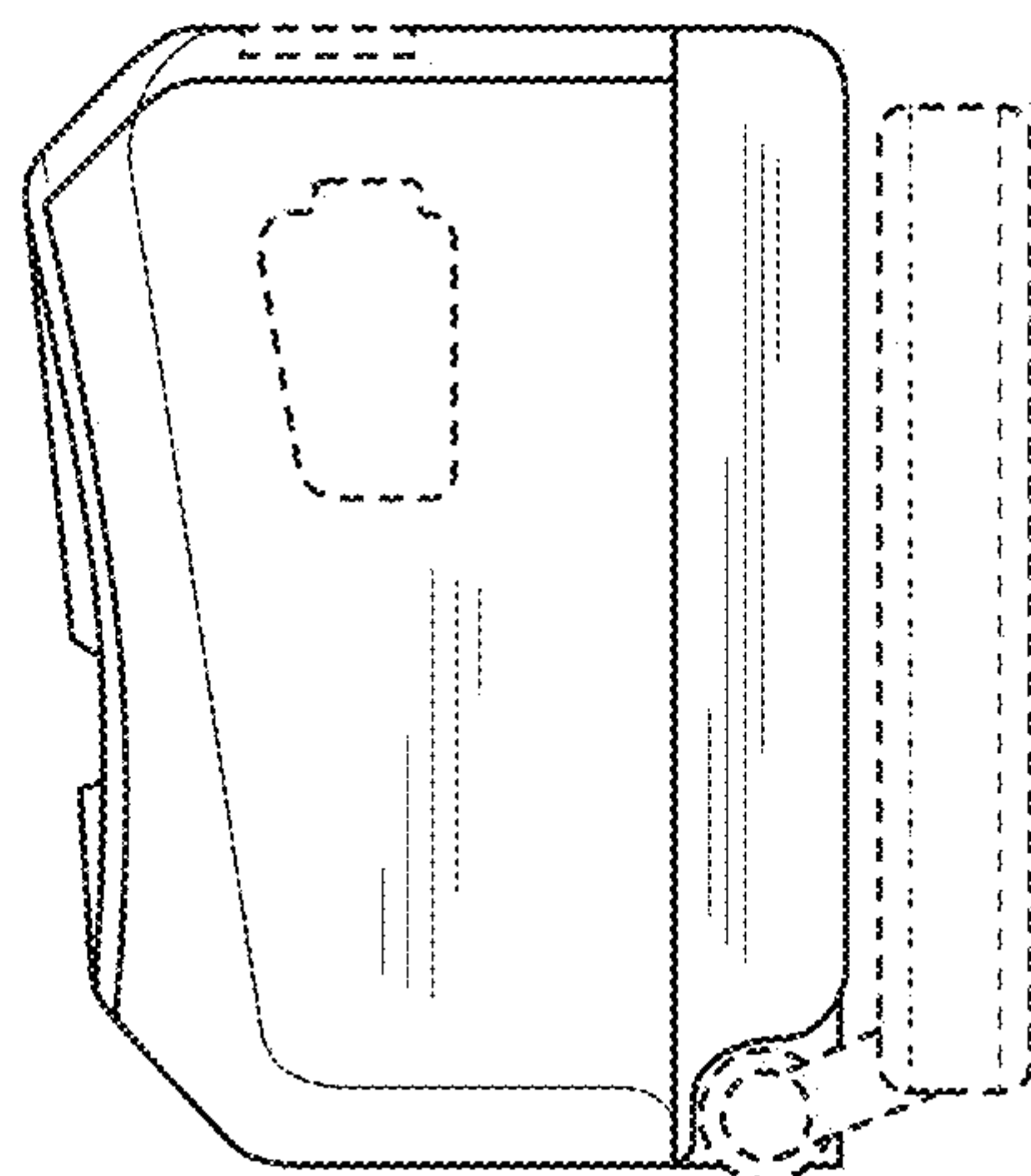


FIG. 7