



US00D907821S

(12) **United States Design Patent**  
**Jeong et al.**

(10) **Patent No.:** **US D907,821 S**

(45) **Date of Patent:** **\*\* \*Jan. 12, 2021**

(54) **HEAD LAMP FOR AN AUTOMOBILE**

(71) Applicants: **Kia Motors Corporation**, Seoul (KR);  
**Hyundai Motor Company**, Seoul (KR)

(72) Inventors: **Da Young Jeong**, Seongnam-si (KR);  
**Jae Min Choi**, Cheongju-si (KR); **Jun Ho Kim**, Uiwang-si (KR); **Yu Ra Cha**, Seoul (KR)

(73) Assignees: **Hyundai Motor Company**, Seoul (KR); **Kia Motors Corporation**, Seoul (KR)

(\*) Notice: This patent is subject to a terminal disclaimer.

(\*\*) Term: **15 Years**

(21) Appl. No.: **35/507,263**

(22) Filed: **Feb. 15, 2019**

(80) **Hague Agreement Data**

Int. Filing Date: **Feb. 15, 2019**

Int. Reg. No.: **DM/201217**

Int. Reg. Date: **Feb. 15, 2019**

Int. Reg. Pub. Date: **Aug. 16, 2019**

(51) **LOC (13) Cl.** ..... **26-06**

(52) **U.S. Cl.**

USPC ..... **D26/28**

(58) **Field of Classification Search**

USPC ..... D12/196; D26/28, 34, 35, 36

CPC .. F21S 41/00; F21S 41/20; F21S 41/30; F21S 43/14; F21S 43/15; F21S 43/20

See application file for complete search history.

(56) **References Cited**

**U.S. PATENT DOCUMENTS**

D173,677 S \* 12/1954 Reid ..... D26/35

D750,817 S \* 3/2016 Lin ..... D26/28

D761,462 S *	7/2016	Lai	.....	D26/28
D771,294 S *	11/2016	Tsai	.....	D26/28
D771,852 S *	11/2016	Tsai	.....	D26/28
D782,711 S *	3/2017	Dunshee	.....	D26/28
D792,618 S *	7/2017	Wu	.....	D26/28
D792,619 S *	7/2017	Wu	.....	D26/28
D800,931 S *	10/2017	Lai	.....	D26/28
D807,543 S *	1/2018	Lin	.....	D26/28
D807,547 S *	1/2018	Lin	.....	D26/28
D823,497 S *	7/2018	Kim	.....	D26/28
D825,368 S *	8/2018	Kuo	.....	D10/114.1
D827,884 S *	9/2018	Hannemann	.....	D26/28
D835,311 S *	12/2018	Thomas	.....	D26/28
D843,621 S *	3/2019	Yang	.....	D26/28
D844,199 S *	3/2019	Lin	.....	D26/28
D850,677 S *	6/2019	Lin	.....	D26/28
D851,302 S *	6/2019	Lin	.....	D26/28
D855,849 S *	8/2019	Lin	.....	D26/28
D866,822 S *	11/2019	He	.....	D26/28
D868,323 S *	11/2019	Kim	.....	D26/28
D868,324 S *	11/2019	Kim	.....	D26/28
D884,227 S *	5/2020	He	.....	D26/28

\* cited by examiner

*Primary Examiner* — Robert M. Spear

(74) *Attorney, Agent, or Firm* — Mintz Levin Cohn Ferris Glovsky and Popeo, P.C.; Peter F. Corless

(57) **CLAIM**

The ornamental design for head lamp for an automobile, as shown and described.

**DESCRIPTION**

1. Head lamp for an automobile

1.1 : Perspective

1.2 : Front

1.3 : Back

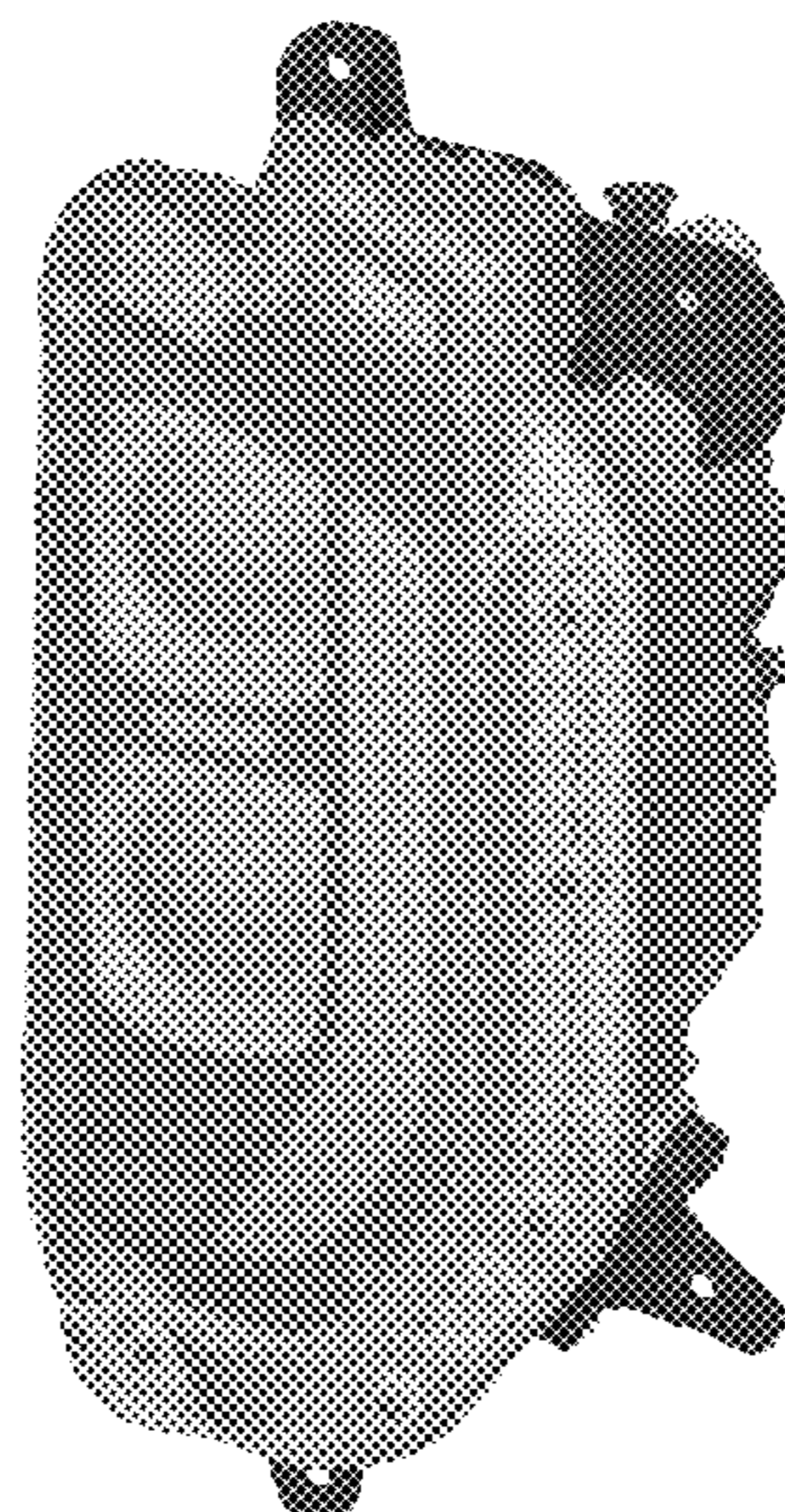
1.4 : Left

1.5 : Right

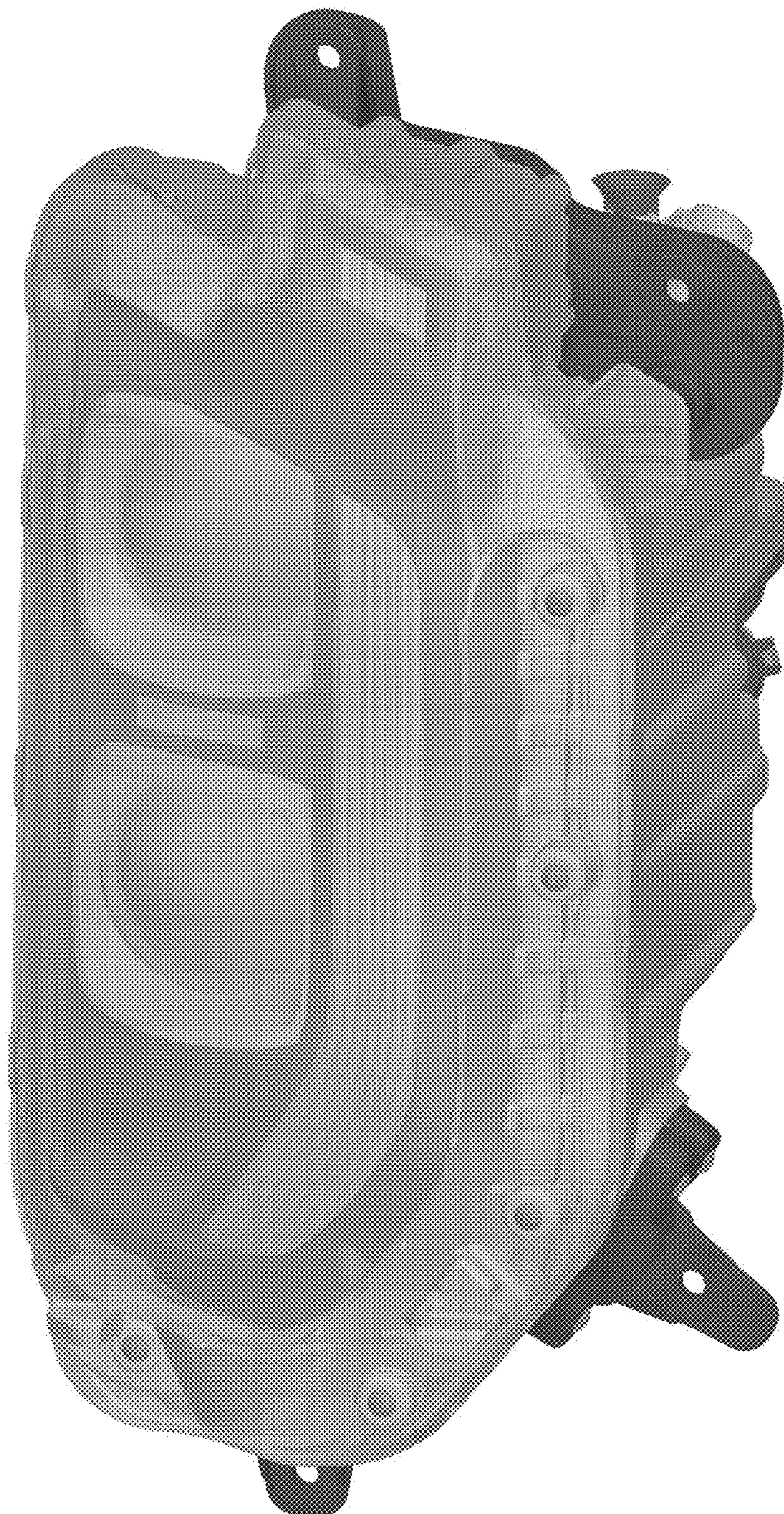
1.6 : Top

1.7 : Bottom

**1 Claim, 7 Drawing Sheets**



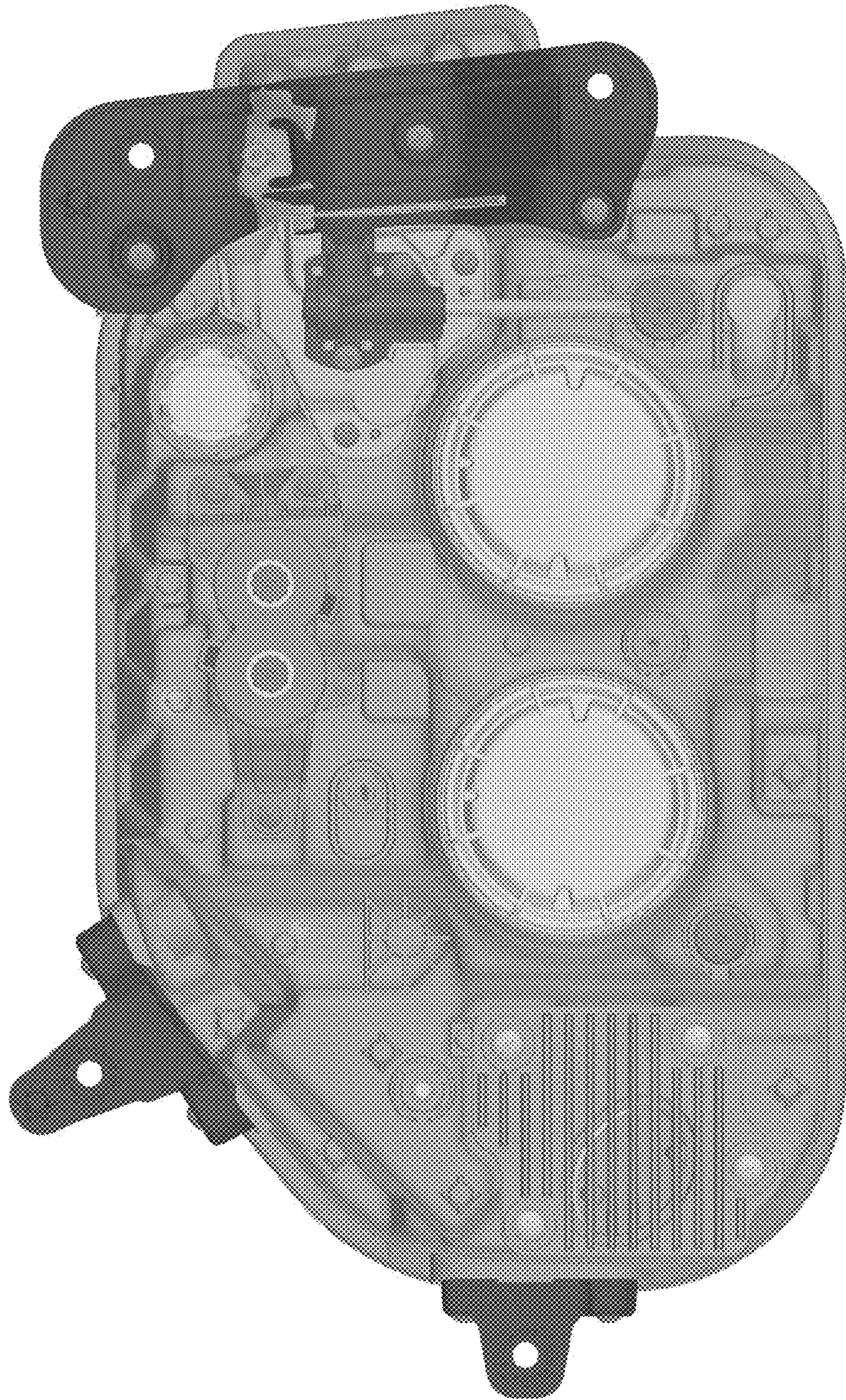
1.1



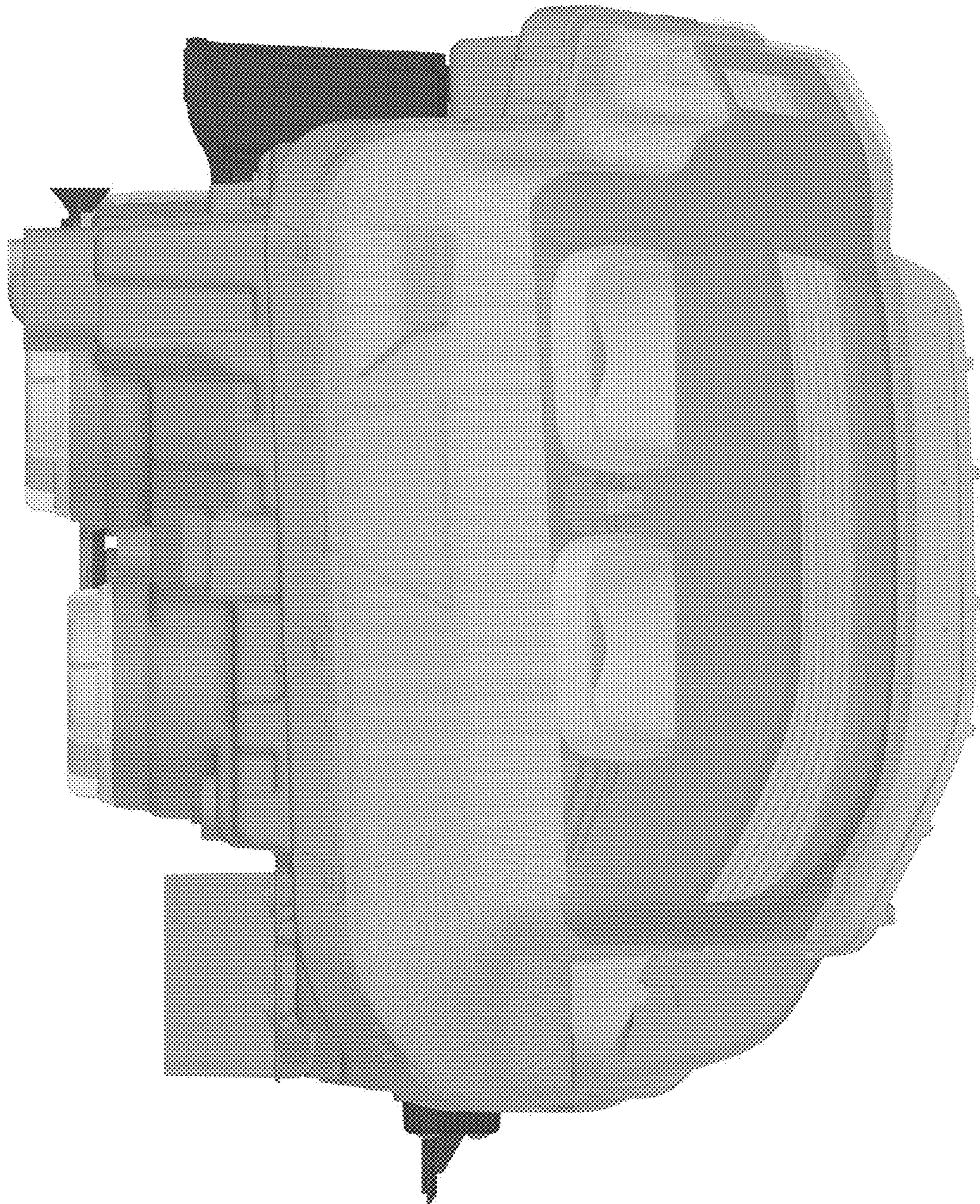
1.2



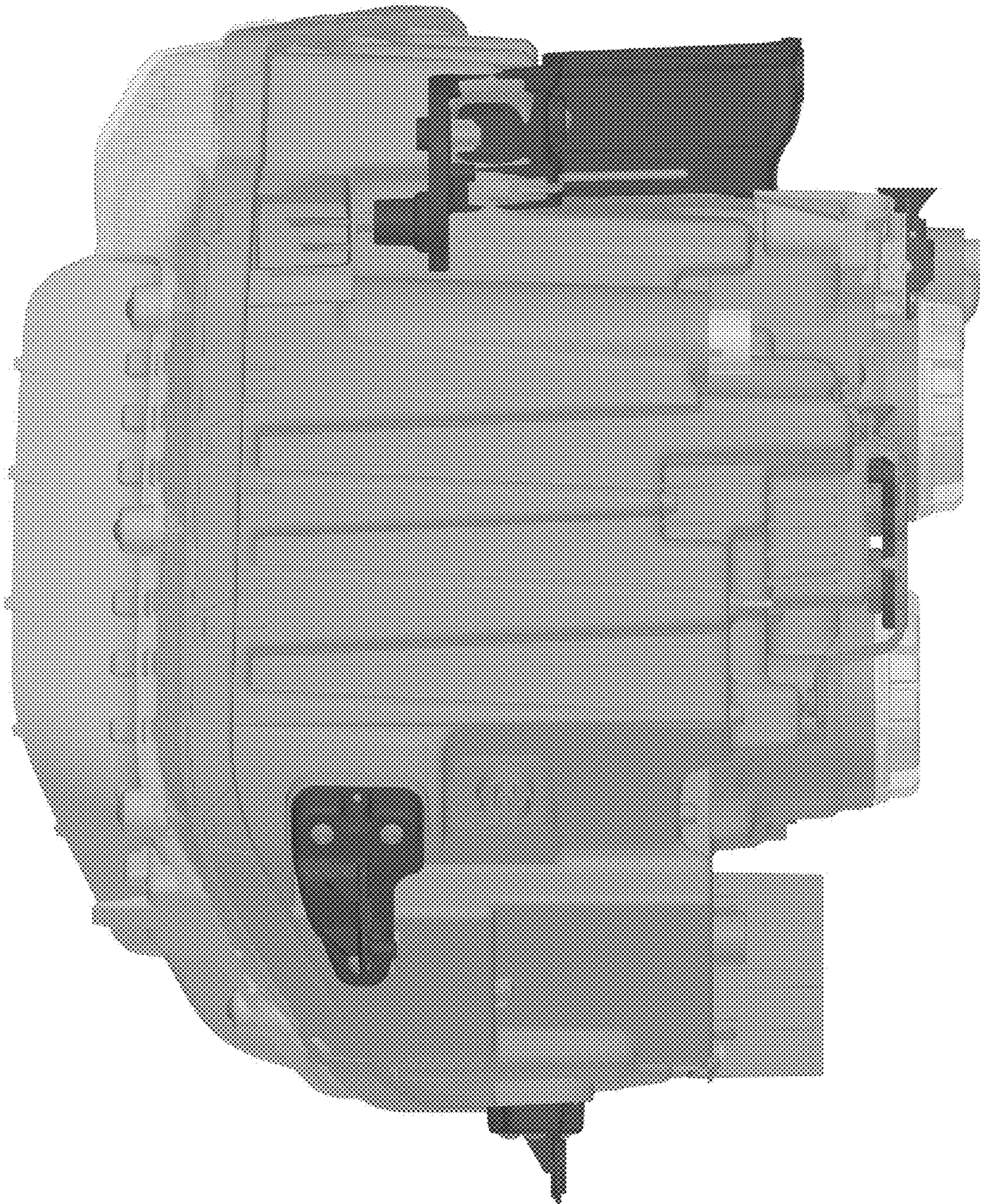
1.3



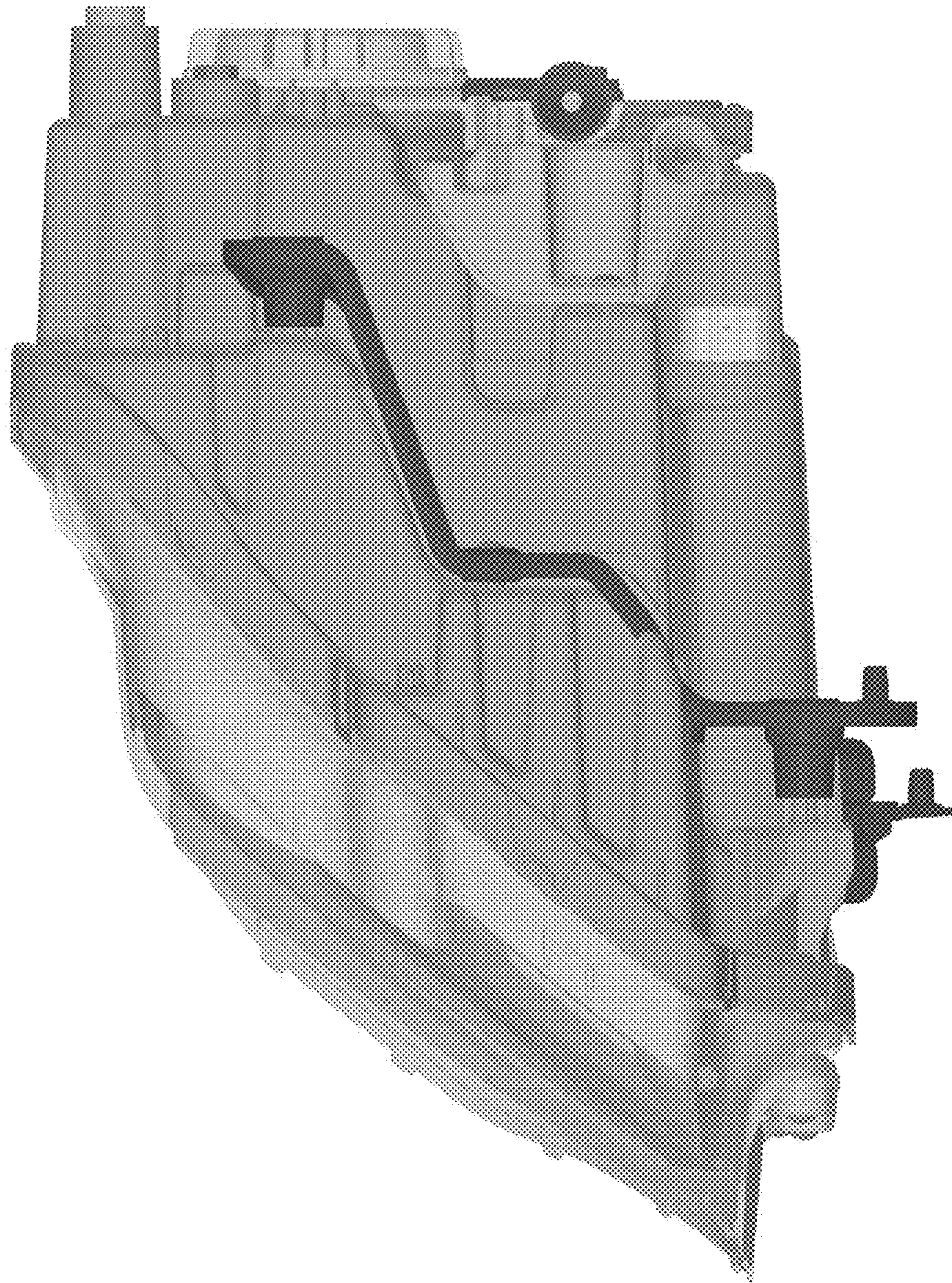
1.4



1.5



1.6



1.7

