



US00D907819S

(12) **United States Design Patent** (10) **Patent No.:** **US D907,819 S**
Tonello et al. (45) **Date of Patent:** **** Jan. 12, 2021**

(54) **VEHICLE TAIL LAMP**

(71) Applicant: **Ford Global Technologies, LLC,**
Dearborn, MI (US)

(72) Inventors: **Domenico Tonello,** Cologne (DE);
Jordan Demkiw, Cologne (DE); **Joel Piaskowski,** Dusseldorf (DE); **Claudio Messale,** Cologne (DE); **George Saridakis,** Edinburgh (GB); **Wolfgang Gotschke,** Cologne (DE)

(73) Assignee: **Ford Global Technologies, LLC,**
Dearborn, MI (US)

(**) Term: **15 Years**

(21) Appl. No.: **29/661,884**

(22) Filed: **Aug. 31, 2018**

(30) **Foreign Application Priority Data**

Mar. 2, 2018 (DE) 40 2018 100 240

(51) **LOC (13) Cl.** **26-06**

(52) **U.S. Cl.**
USPC **D26/28**

(58) **Field of Classification Search**
USPC D26/28-36, 139

(Continued)

(56) **References Cited**

U.S. PATENT DOCUMENTS

D646,815 S * 10/2011 Goplen D26/28

D686,358 S * 7/2013 Morgenstern D26/28

(Continued)

Primary Examiner — Marcus A Jackson

(57) **CLAIM**

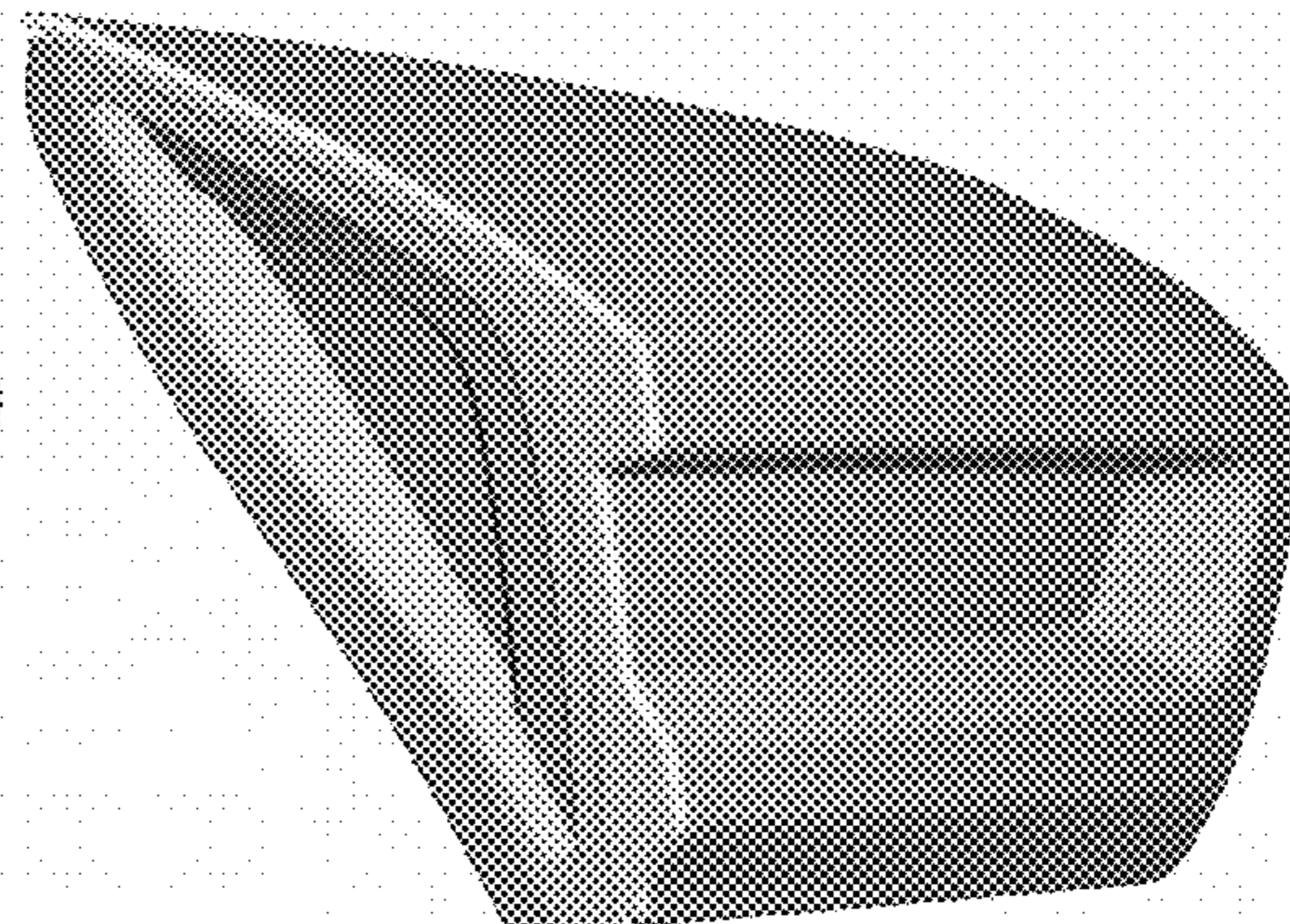
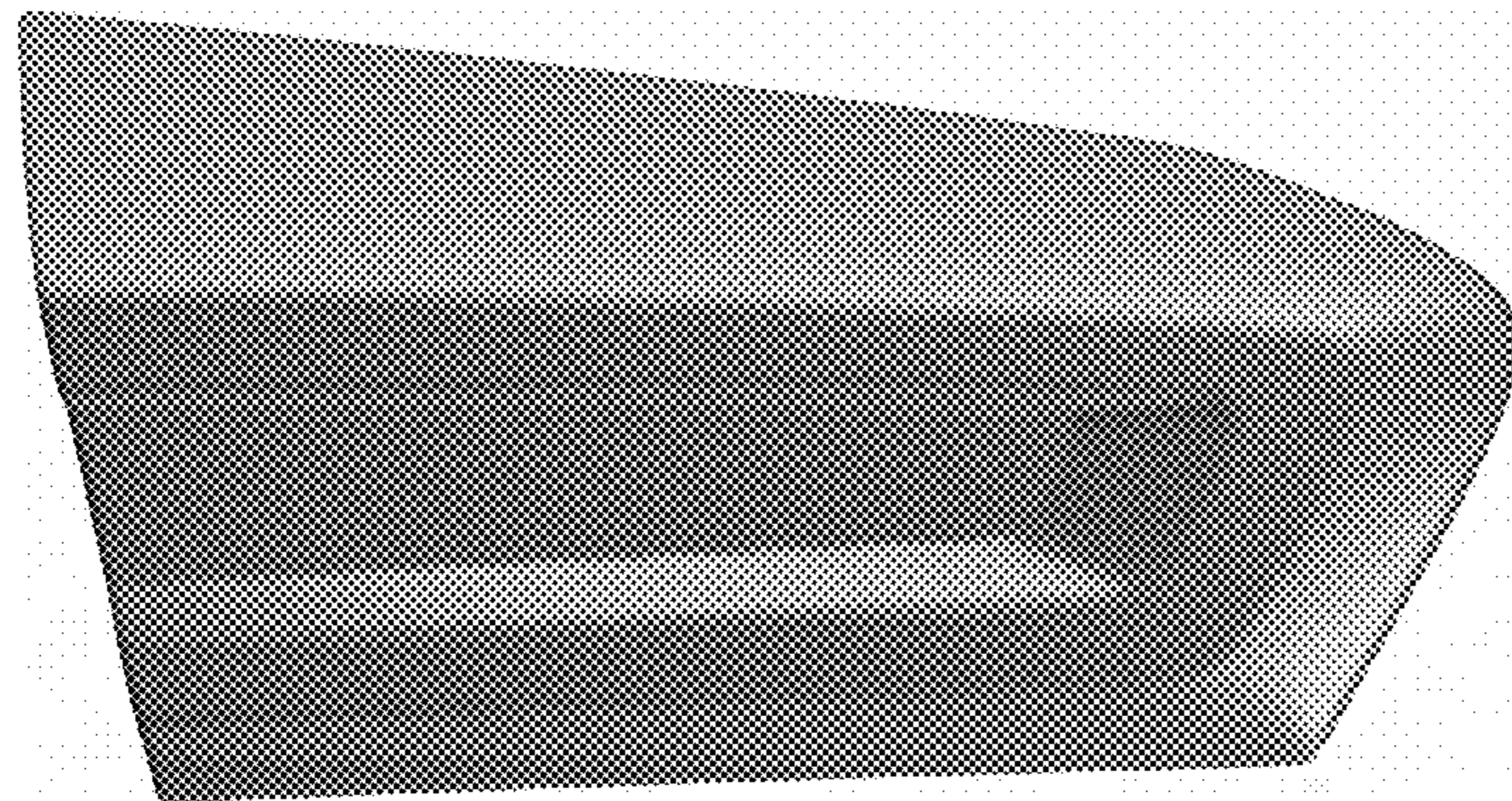
The ornamental design for a vehicle tail lamp, as shown and described.

DESCRIPTION

FIG. 1 is a front elevational view of a first embodiment of a vehicle tail lamp, showing our new design;

FIG. 2 is a rear elevational view thereof;
FIG. 3 is a left side elevational view thereof;
FIG. 4 is a right side elevational view thereof;
FIG. 5 is a top plan view thereof;
FIG. 6 is a bottom plan view thereof;
FIG. 7 is a top, front, and left side perspective view thereof;
FIG. 8 is a bottom, front, and left side perspective view thereof, and
FIG. 9 is a top, and rear perspective view thereof.
FIG. 10 is a front elevational view of a second embodiment of a vehicle tail lamp, showing our new design;
FIG. 11 is a rear elevational view thereof;
FIG. 12 is a left side elevational view thereof;
FIG. 13 is a right side elevational view thereof;
FIG. 14 is a top plan view thereof;
FIG. 15 is a bottom plan view thereof;
FIG. 16 is a top, front, and left side perspective view thereof;
FIG. 17 is a bottom, front, and left side perspective view thereof, and
FIG. 18 is a top, and rear perspective view thereof.
FIG. 19 is a front elevational view of a third embodiment of a vehicle tail lamp, showing our new design;
FIG. 20 is a rear elevational view thereof;
FIG. 21 is a left side elevational view thereof;
FIG. 22 is a right side elevational view thereof;
FIG. 23 is a top plan view thereof;
FIG. 24 is a bottom plan view thereof;
FIG. 25 is a top, front, and left side perspective view thereof;
FIG. 26 is a bottom, front, and left side perspective view thereof, and
FIG. 27 is a top, and rear perspective view thereof.
FIG. 28 is a front elevational view of a fourth embodiment of a vehicle tail lamp, showing our new design;
FIG. 29 is a rear elevational view thereof;
FIG. 30 is a left side elevational view thereof;
FIG. 31 is a right side elevational view thereof;
FIG. 32 is a top plan view thereof;
FIG. 33 is a bottom plan view thereof;
FIG. 34 is a top, front, and left side perspective view thereof;
FIG. 35 is a bottom, front, and left side perspective view thereof; and,
FIG. 36 is a top, and rear perspective view thereof.

(Continued)



Any broken lines represent an internal boundary of the design; the line itself and the area within form no part of the claim.

1 Claim, 36 Drawing Sheets

(58) **Field of Classification Search**

CPC F21S 48/00; F21S 48/10; F21S 48/115;
F21S 48/225; F21S 48/1233; F21S
48/1266; F21S 48/1388; F21S 48/2268;
F21V 21/04; F21V 29/004; B60Q 9/13;
B60Q 9/135; B60Q 9/1375

See application file for complete search history.

(56) **References Cited**

U.S. PATENT DOCUMENTS

D714,984 S *	10/2014	Lai	D26/28
D716,478 S *	10/2014	Loeb	D26/28
D737,480 S *	8/2015	Park	D26/28
D739,583 S *	9/2015	Forsgren	D26/28
D764,691 S *	8/2016	Luk	D26/28

* cited by examiner

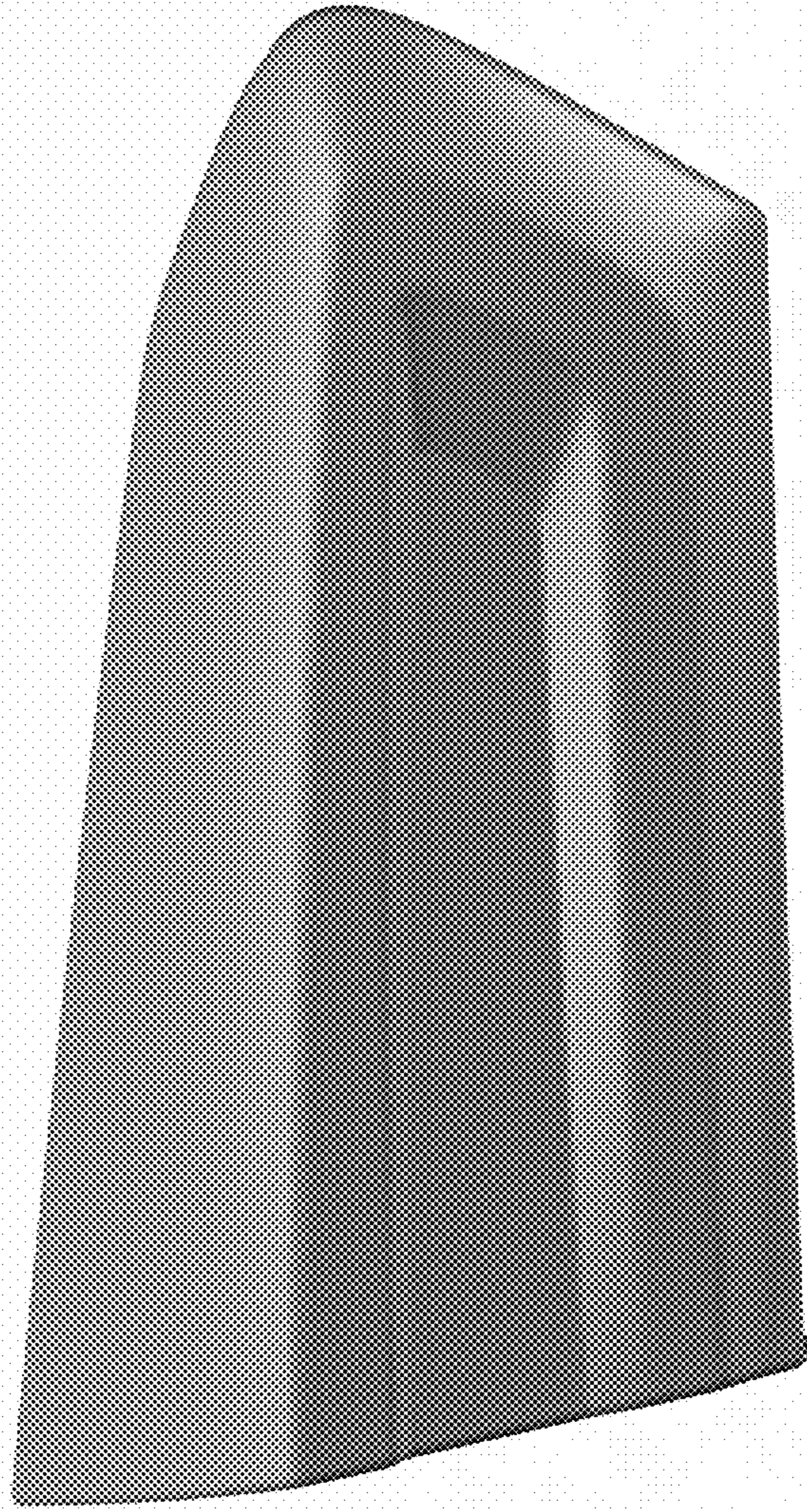


Fig. 1

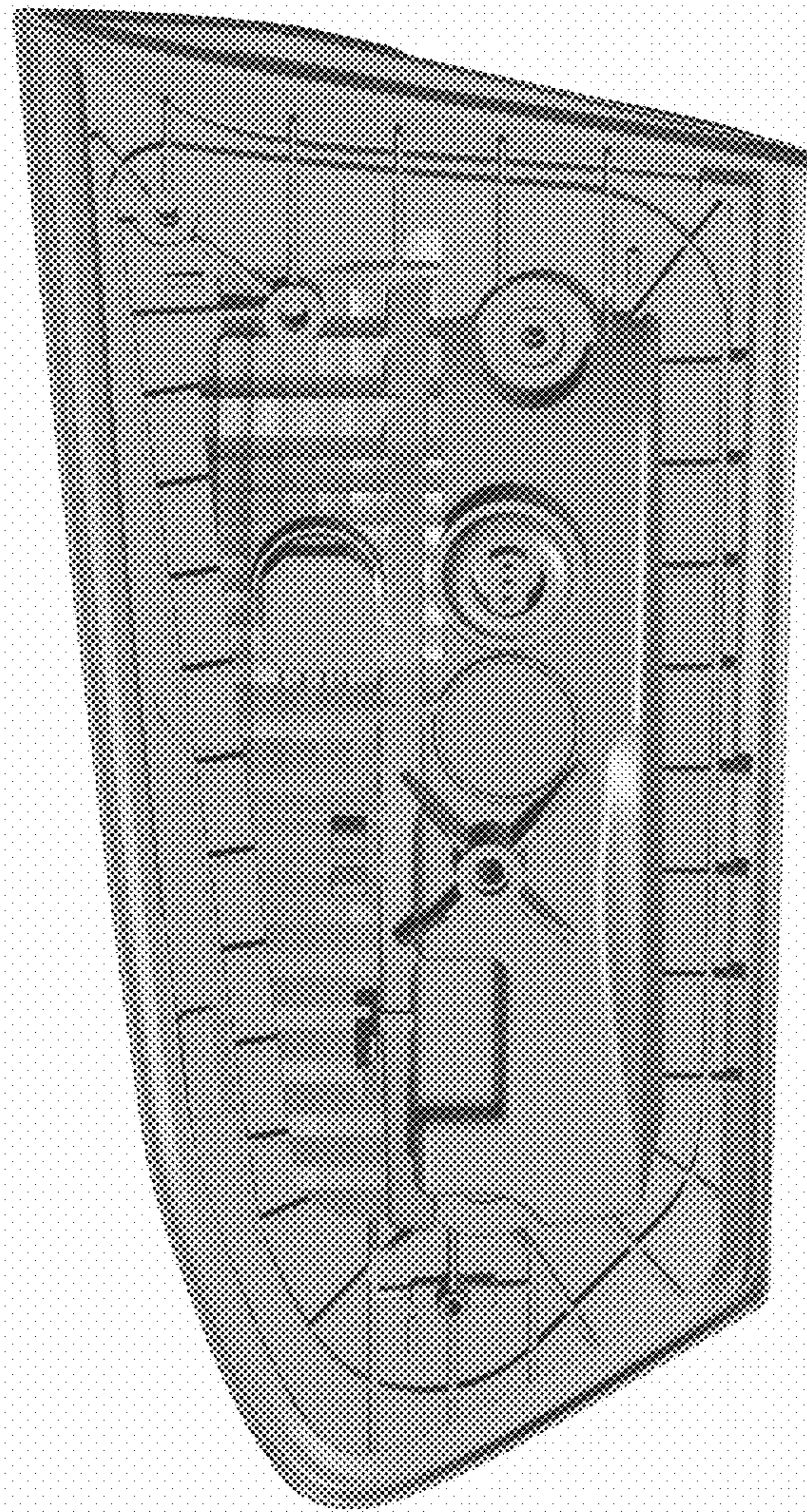


Fig. 2

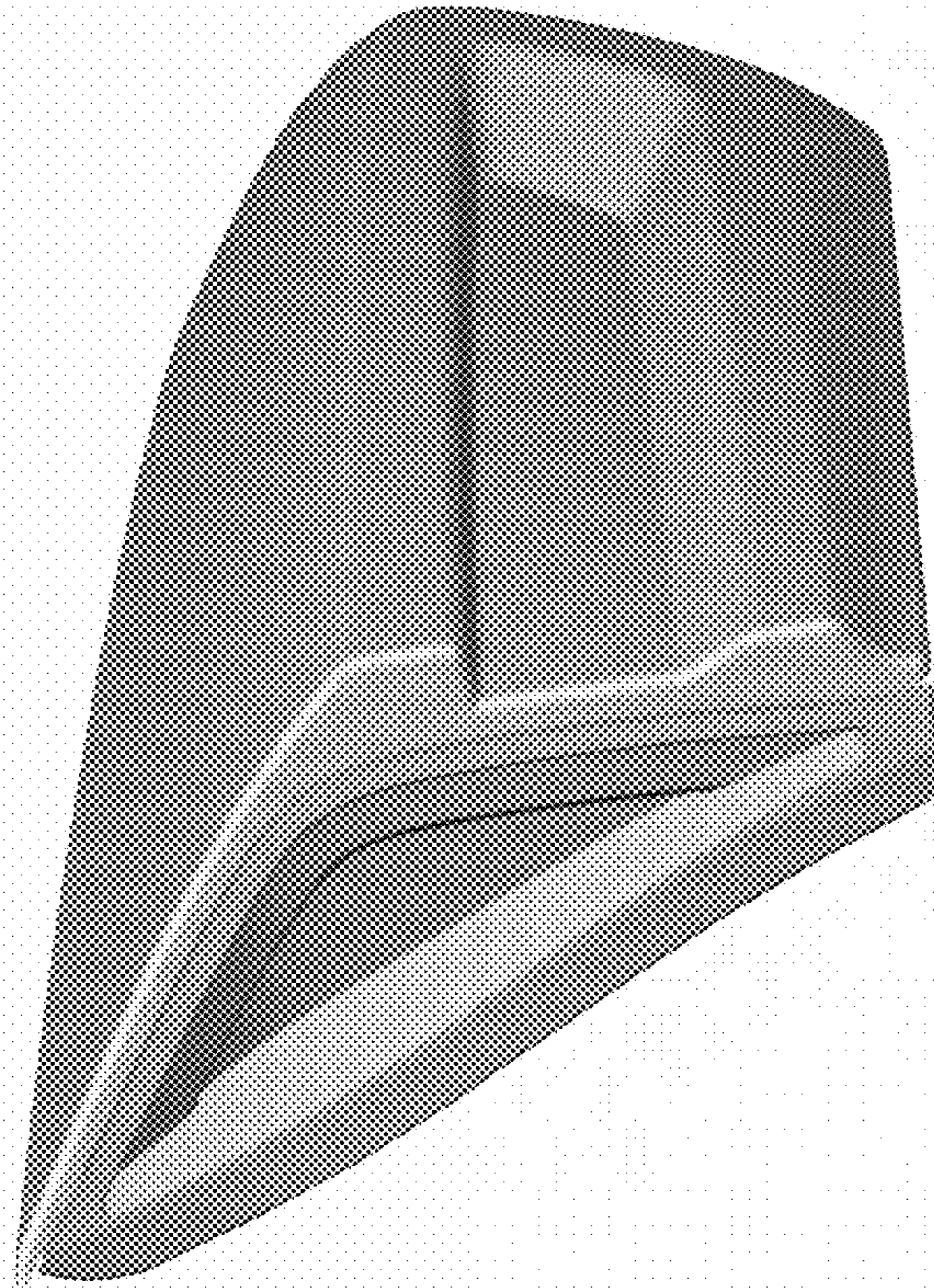


Fig. 3

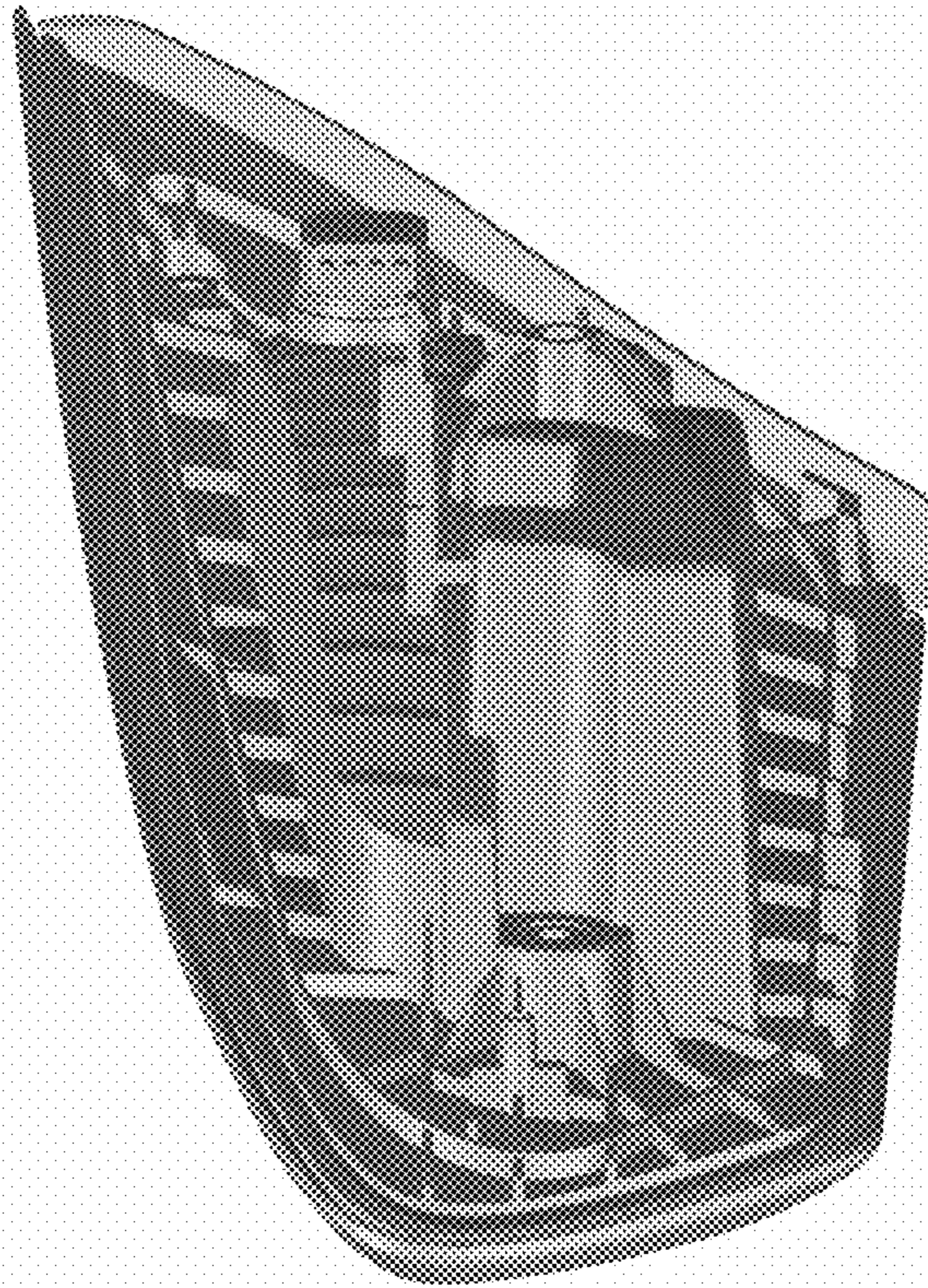


Fig. 4

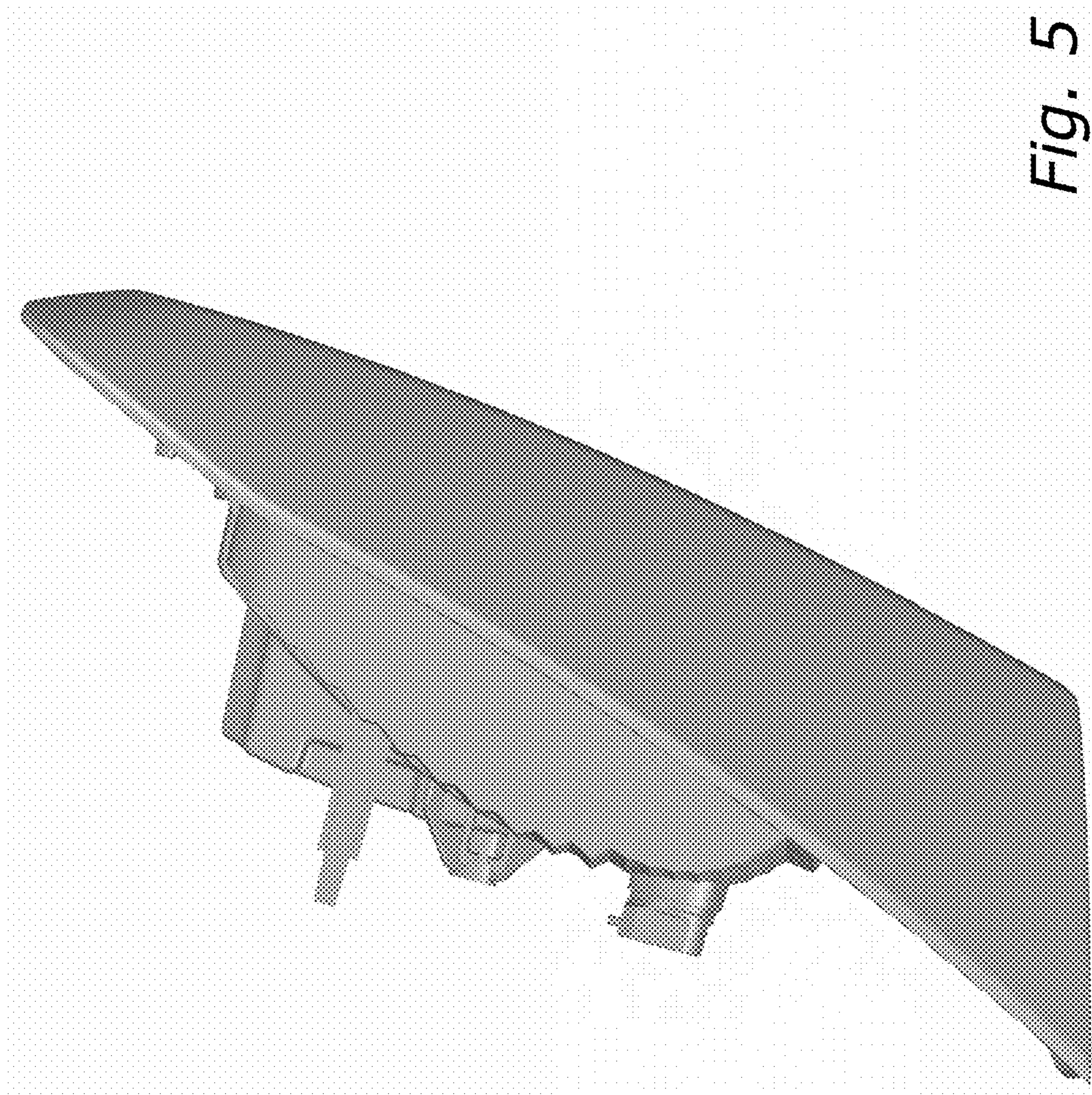


Fig. 5

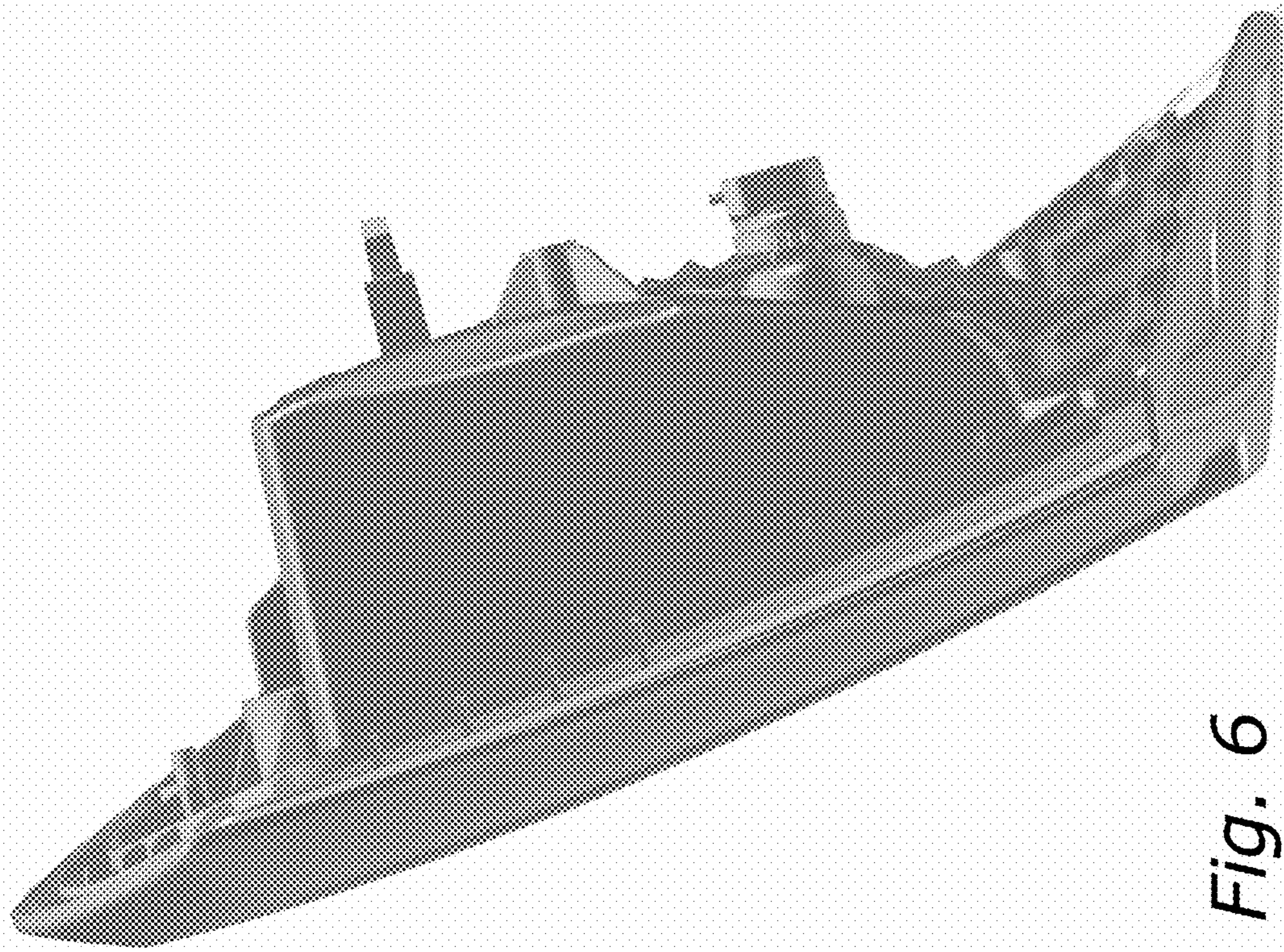
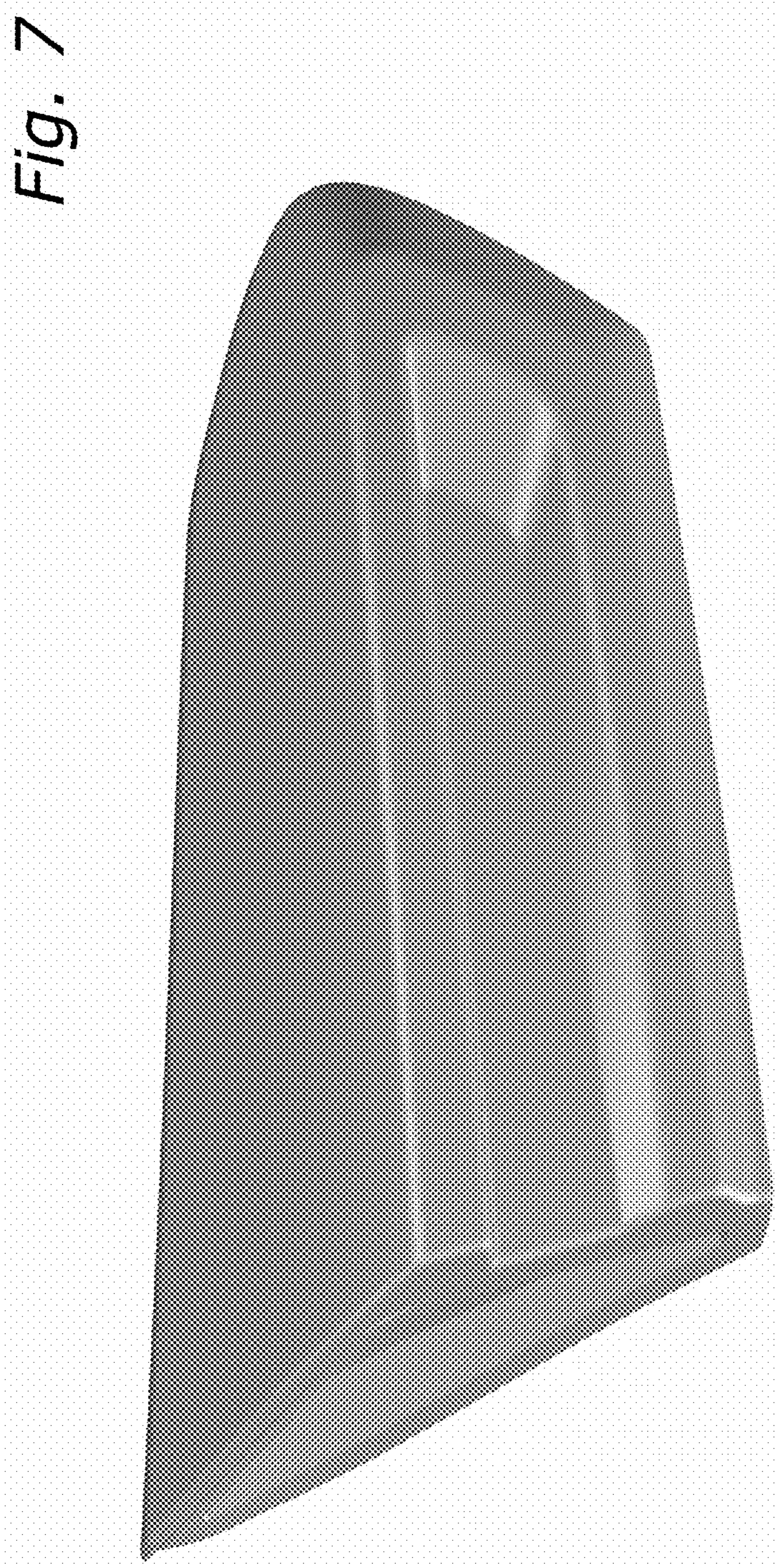


Fig. 6

Fig. 7



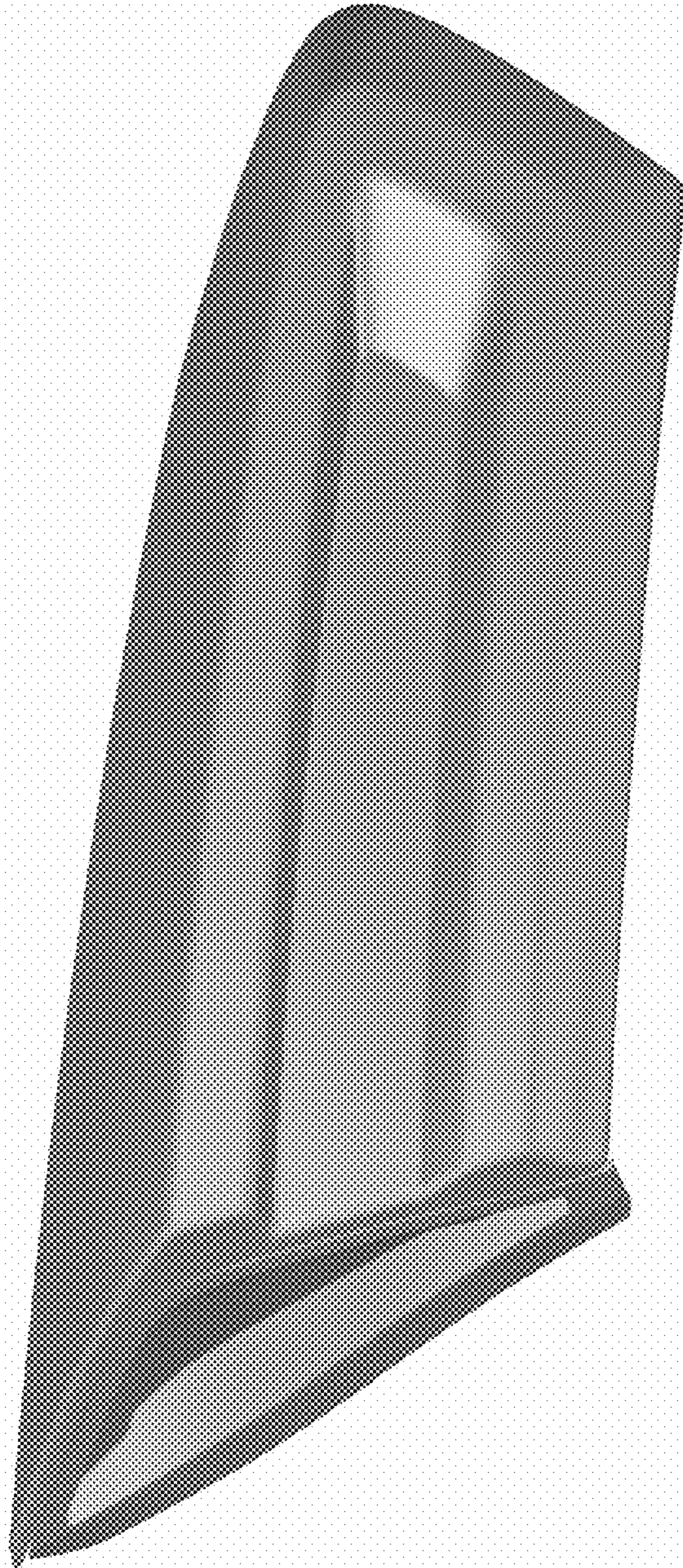


Fig. 8

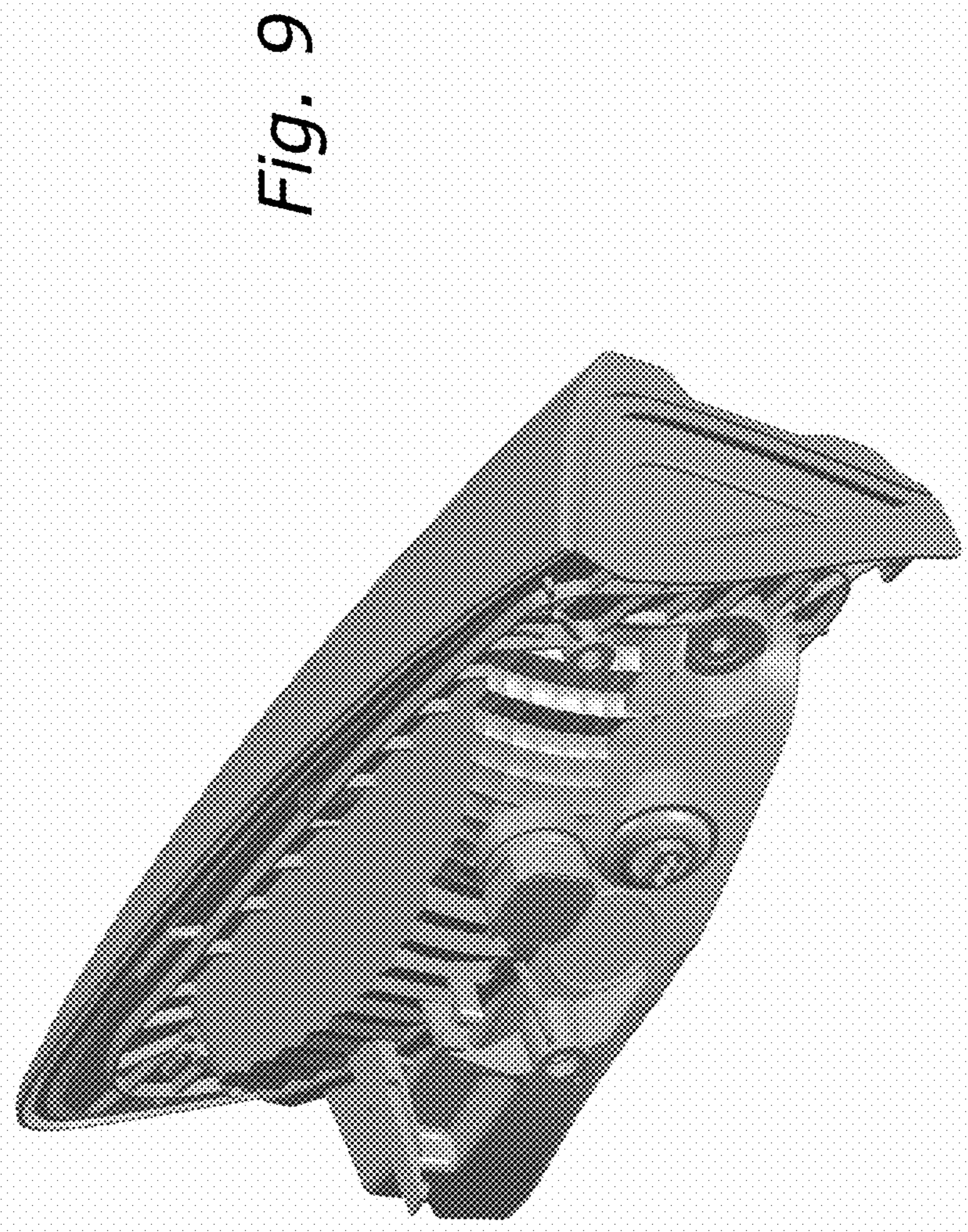


Fig. 9

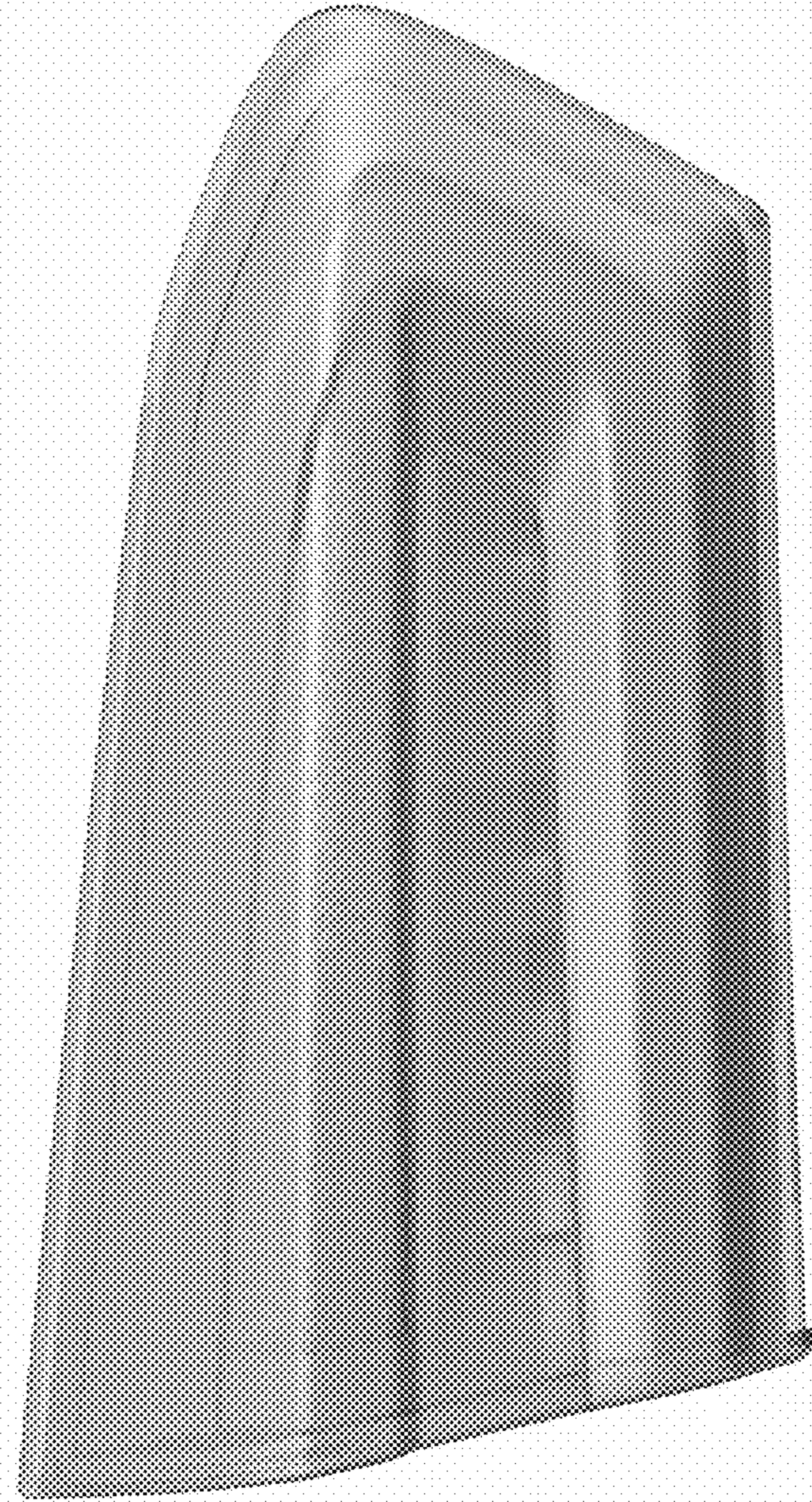


Fig. 10

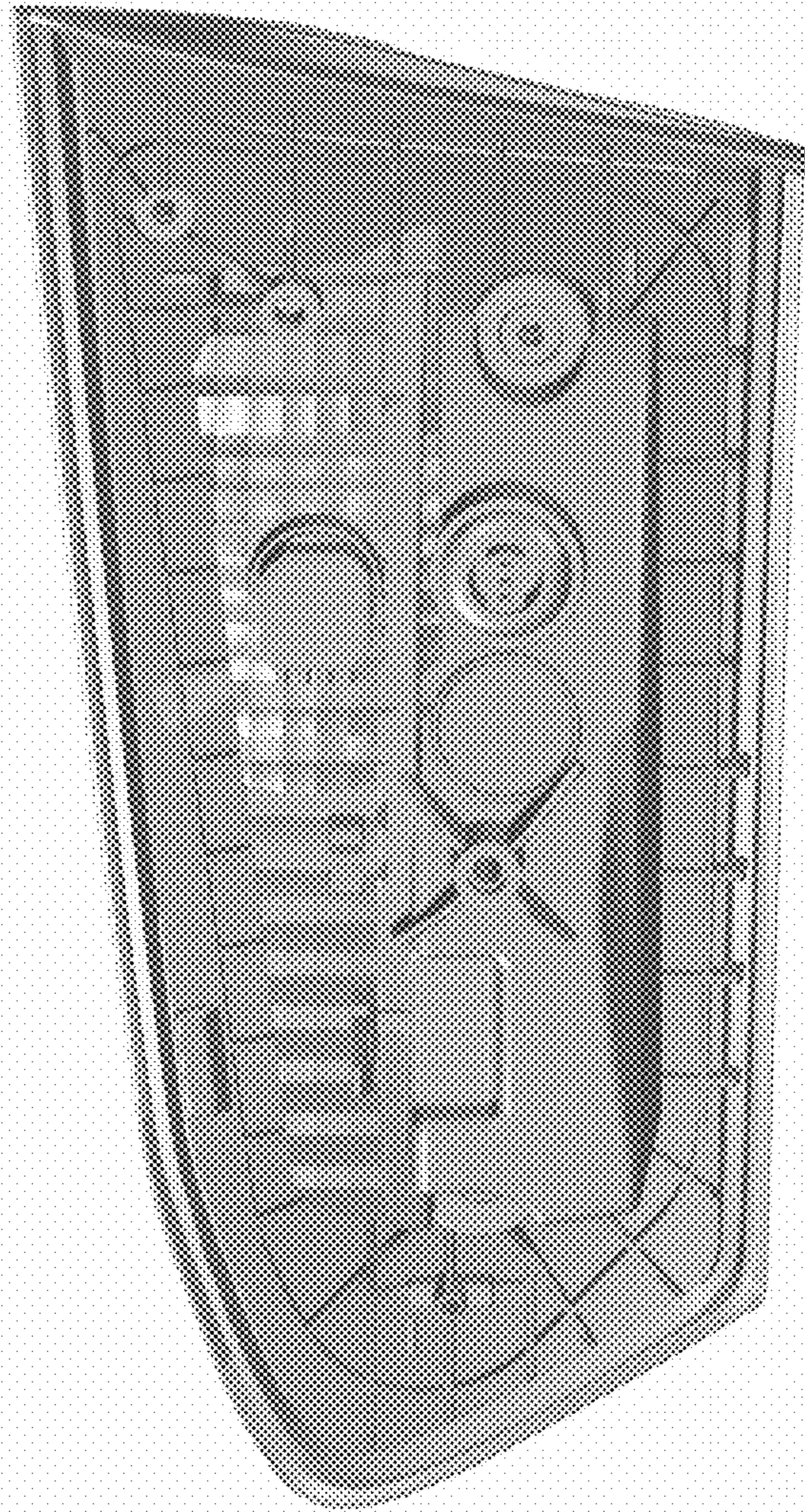


Fig. 11

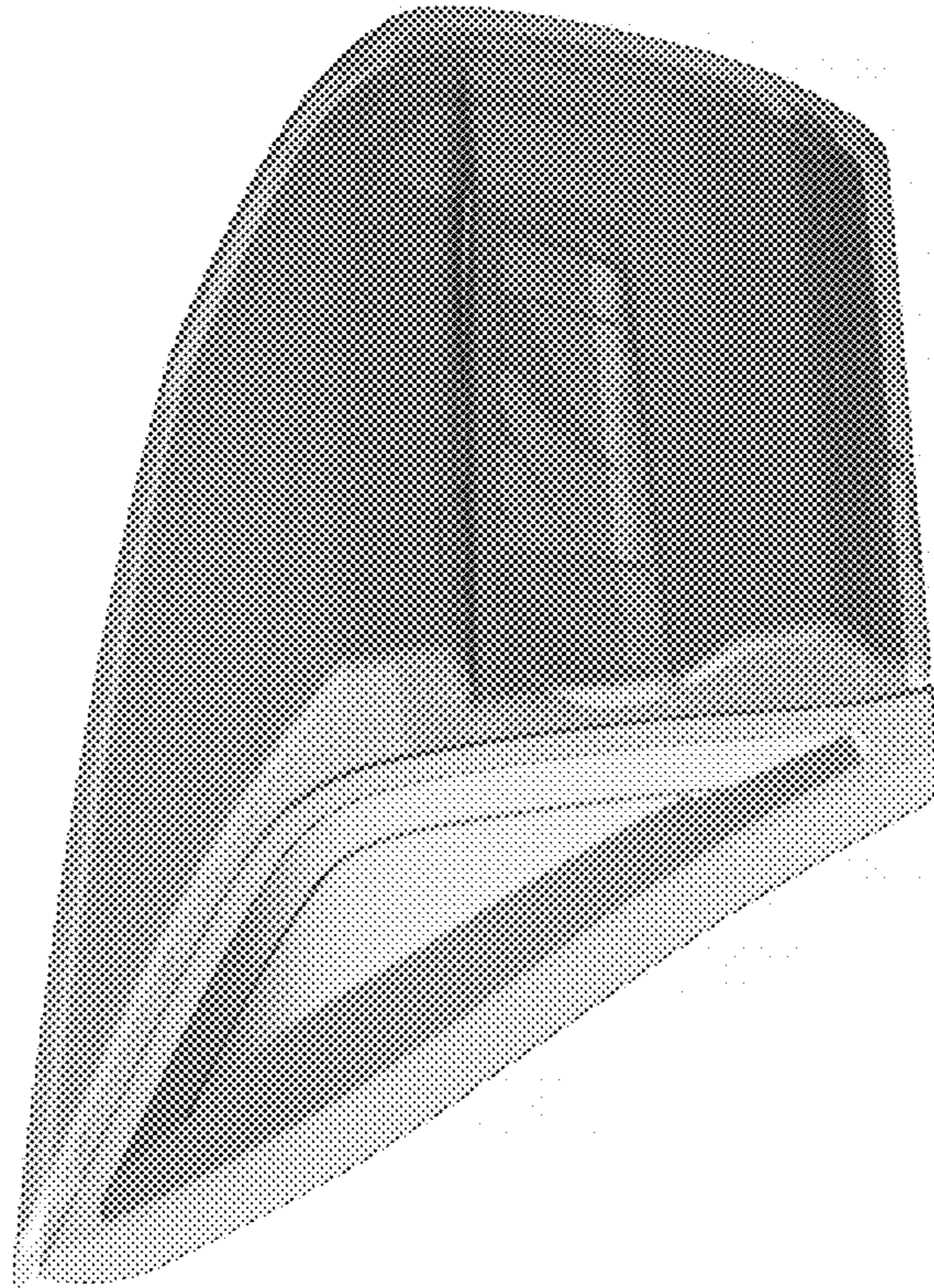


Fig. 12

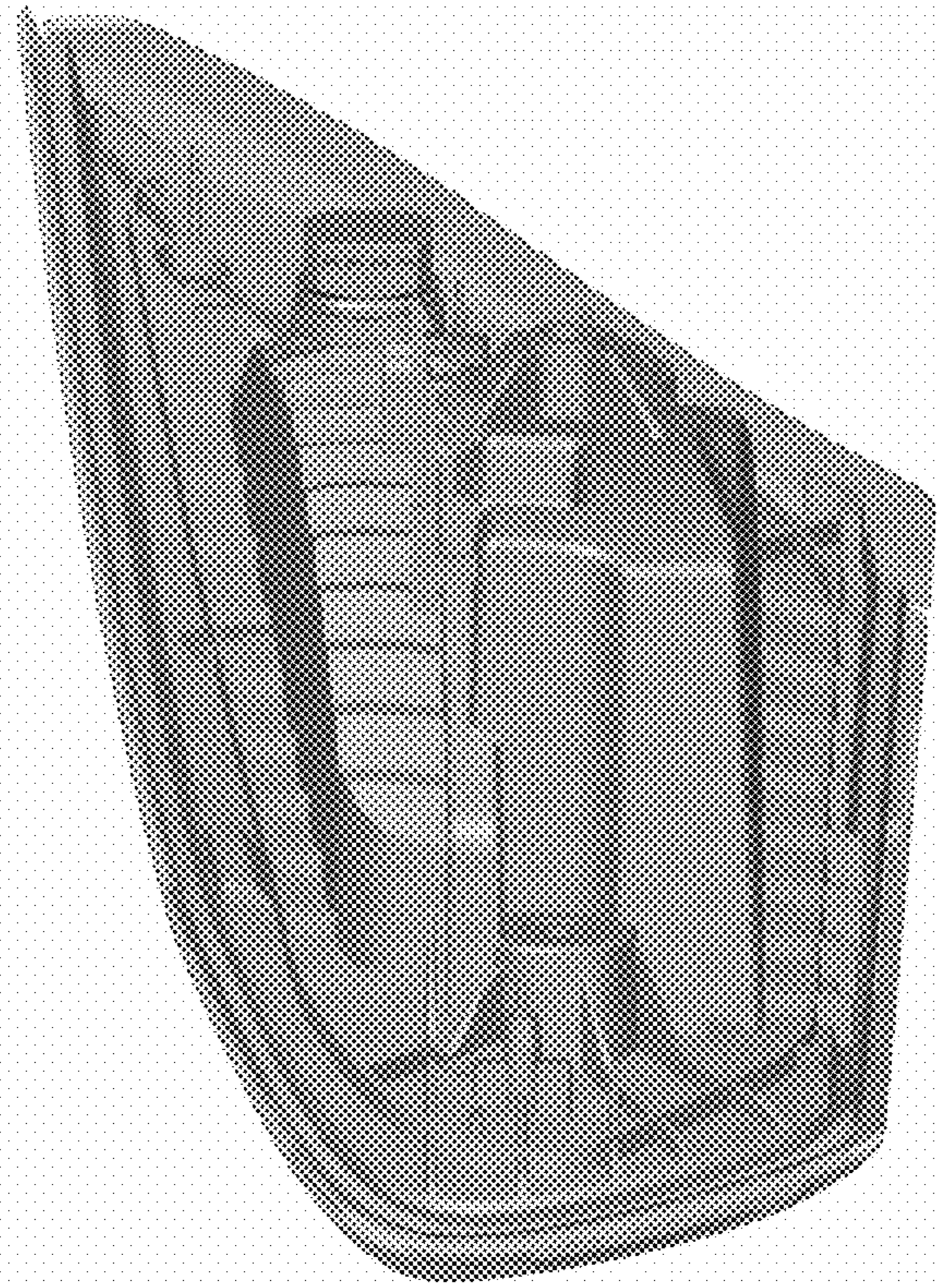


Fig. 13

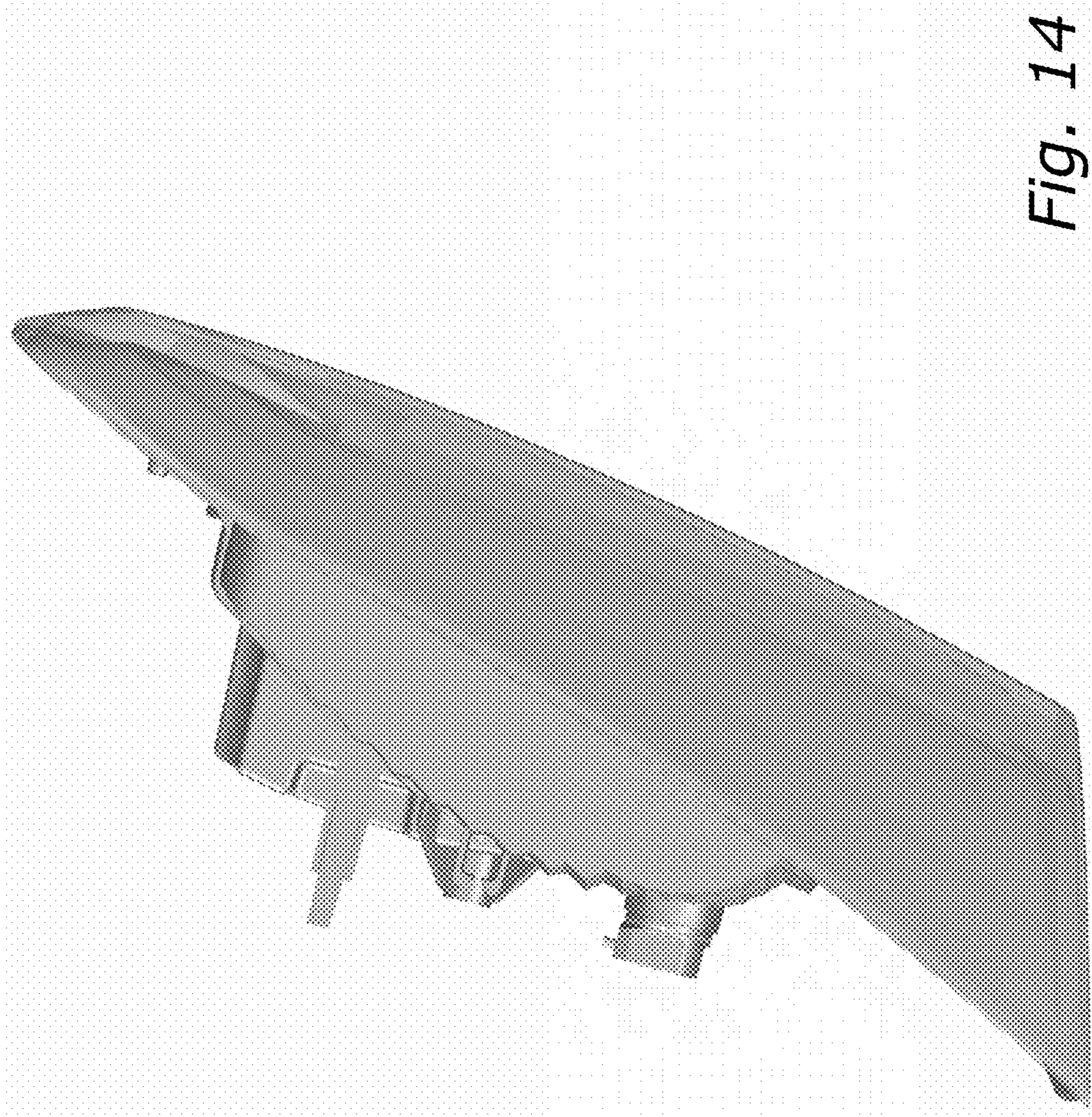


Fig. 14

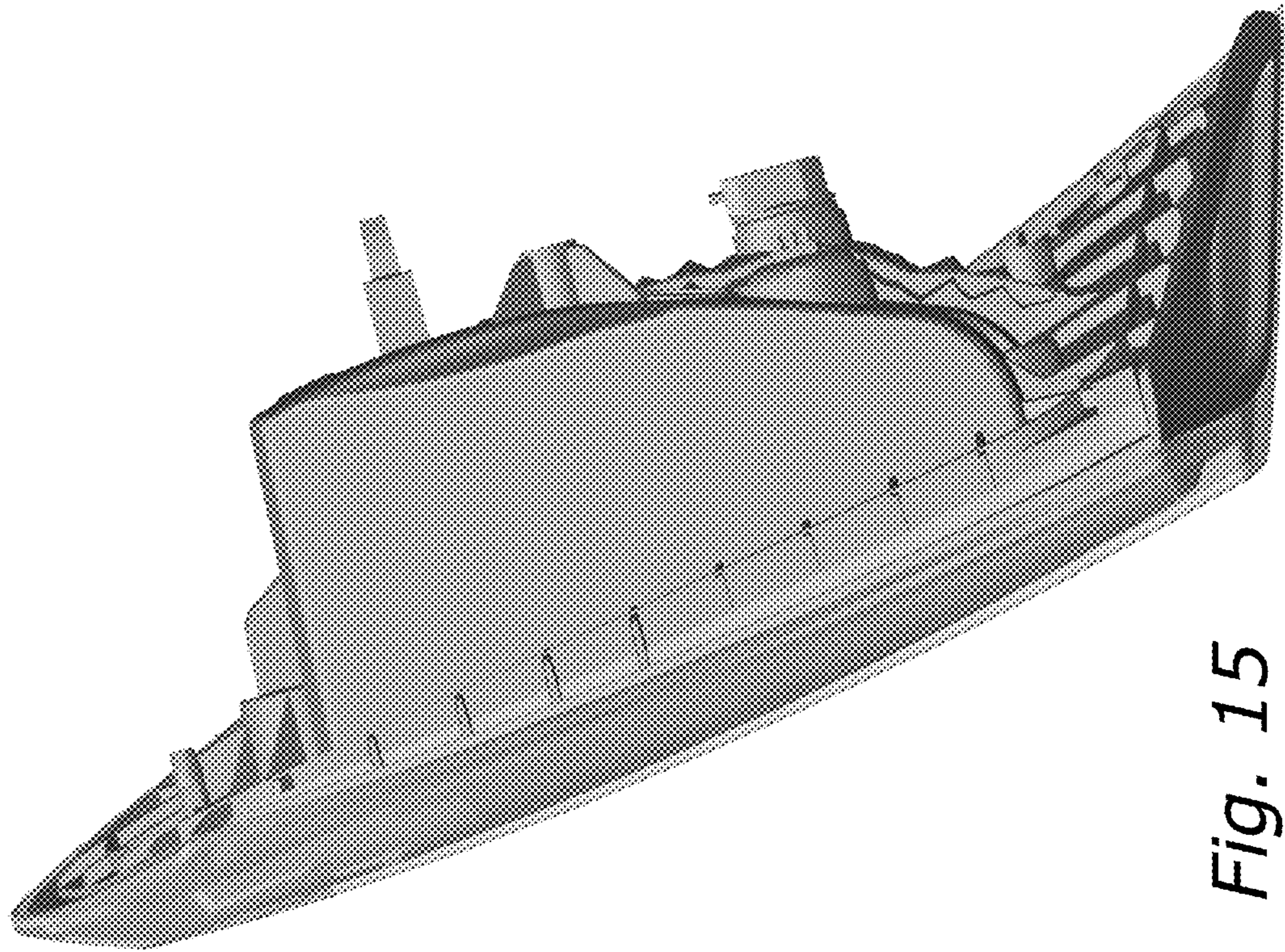
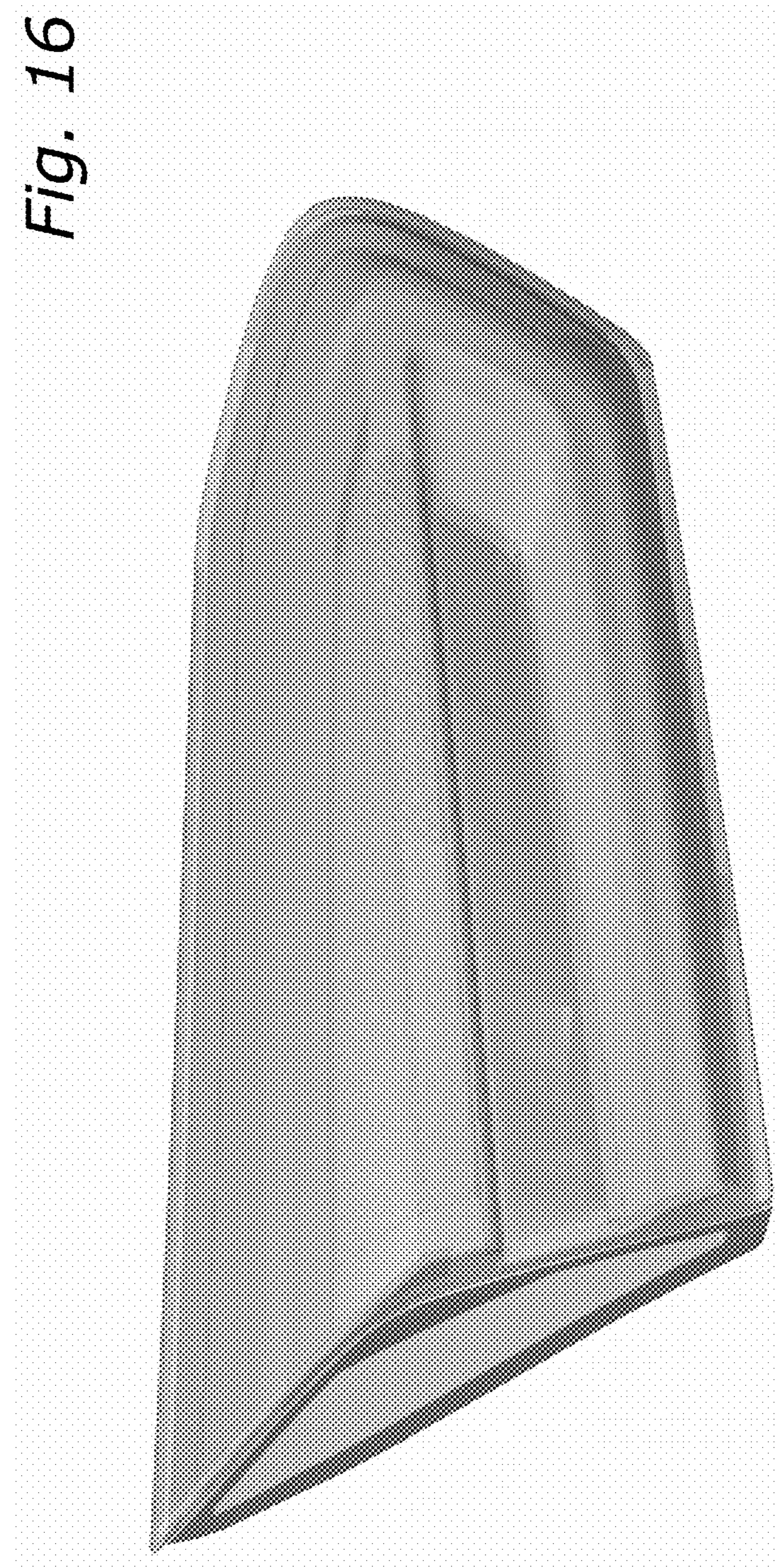


Fig. 15

Fig. 16



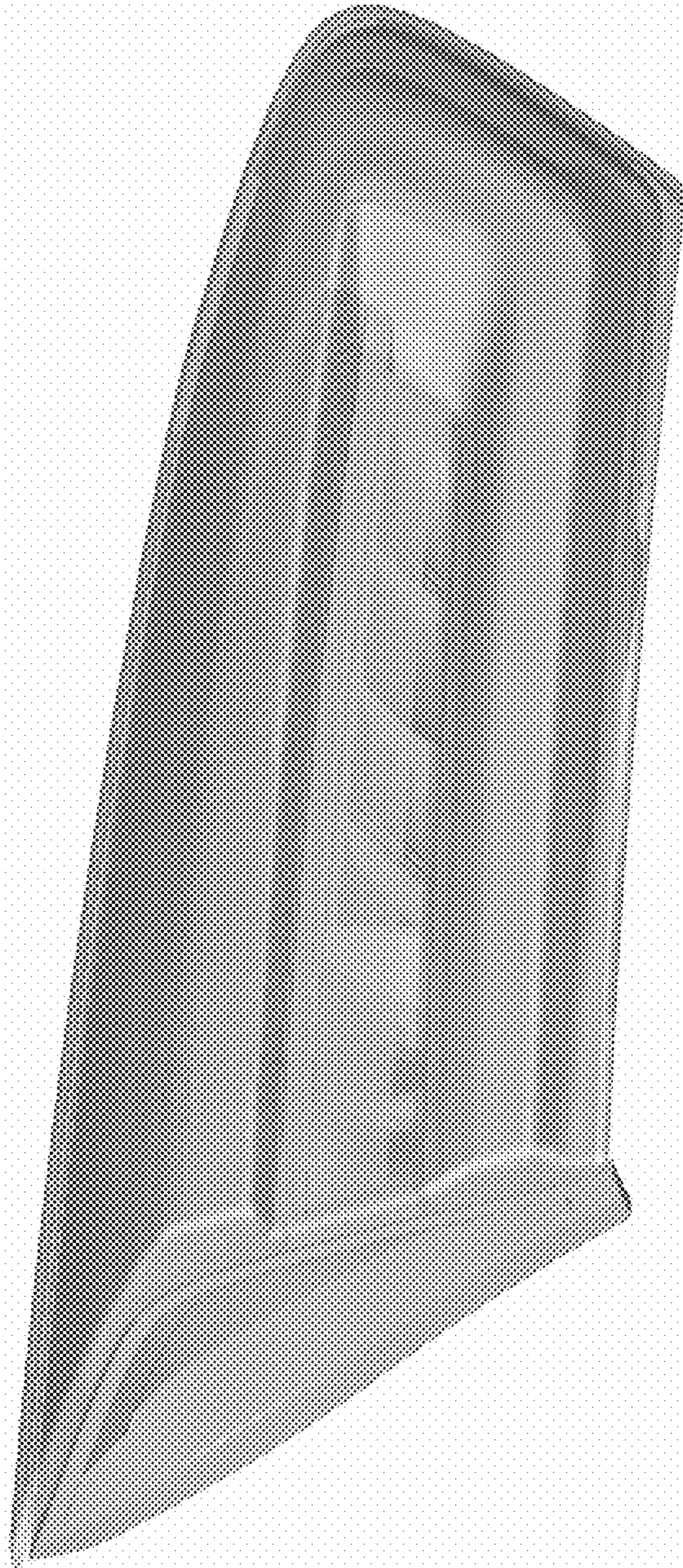
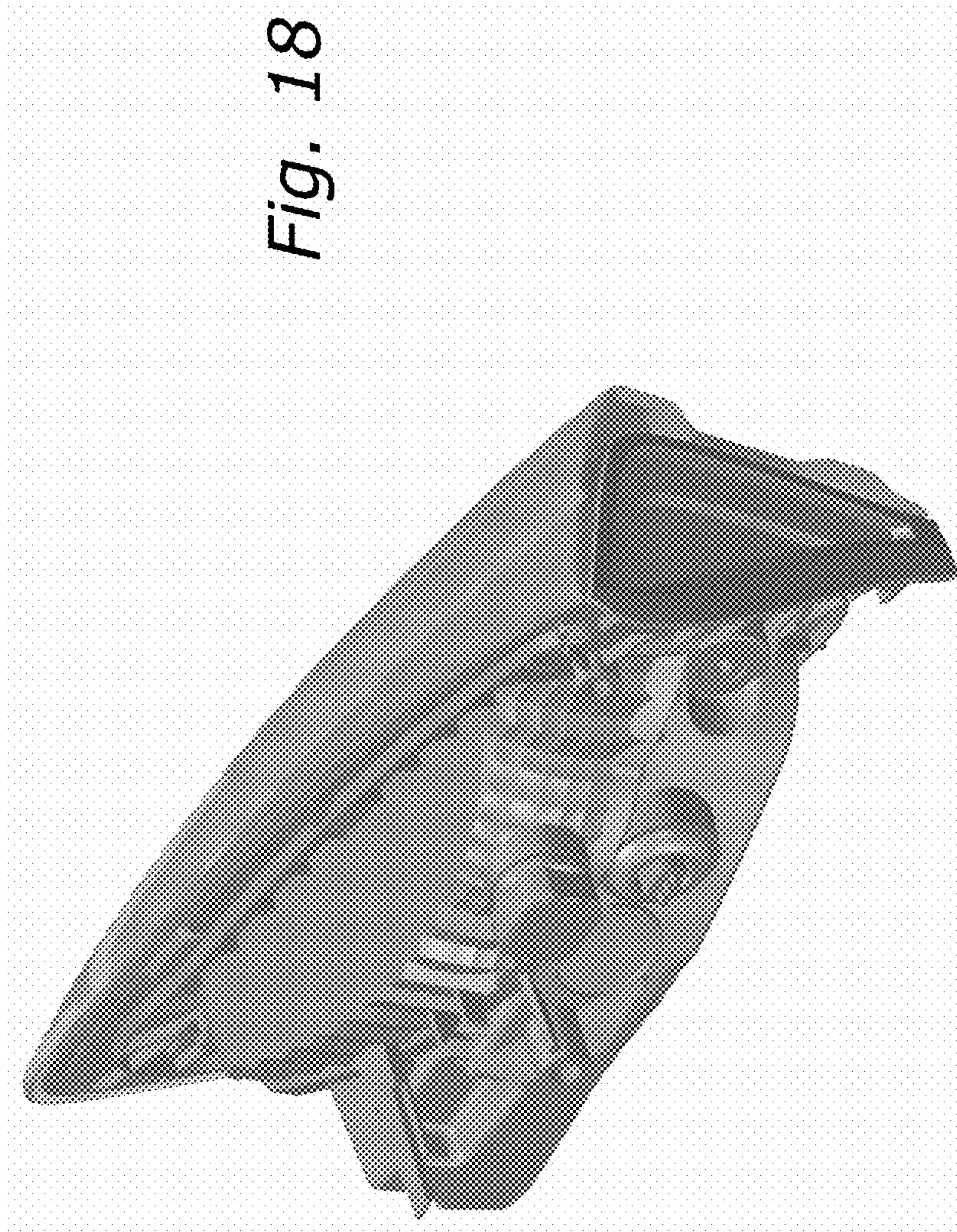


Fig. 17

Fig. 18



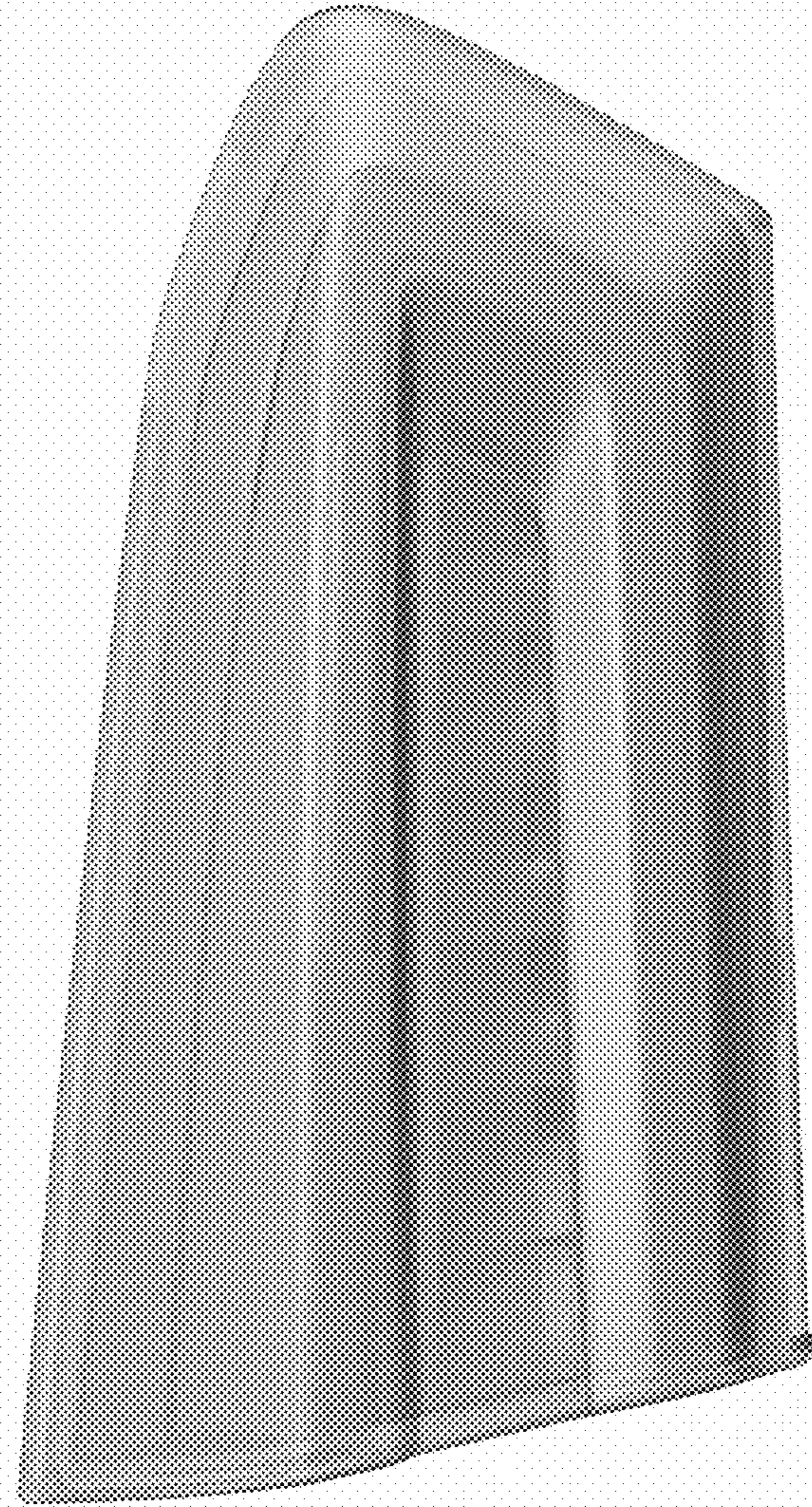


Fig. 19

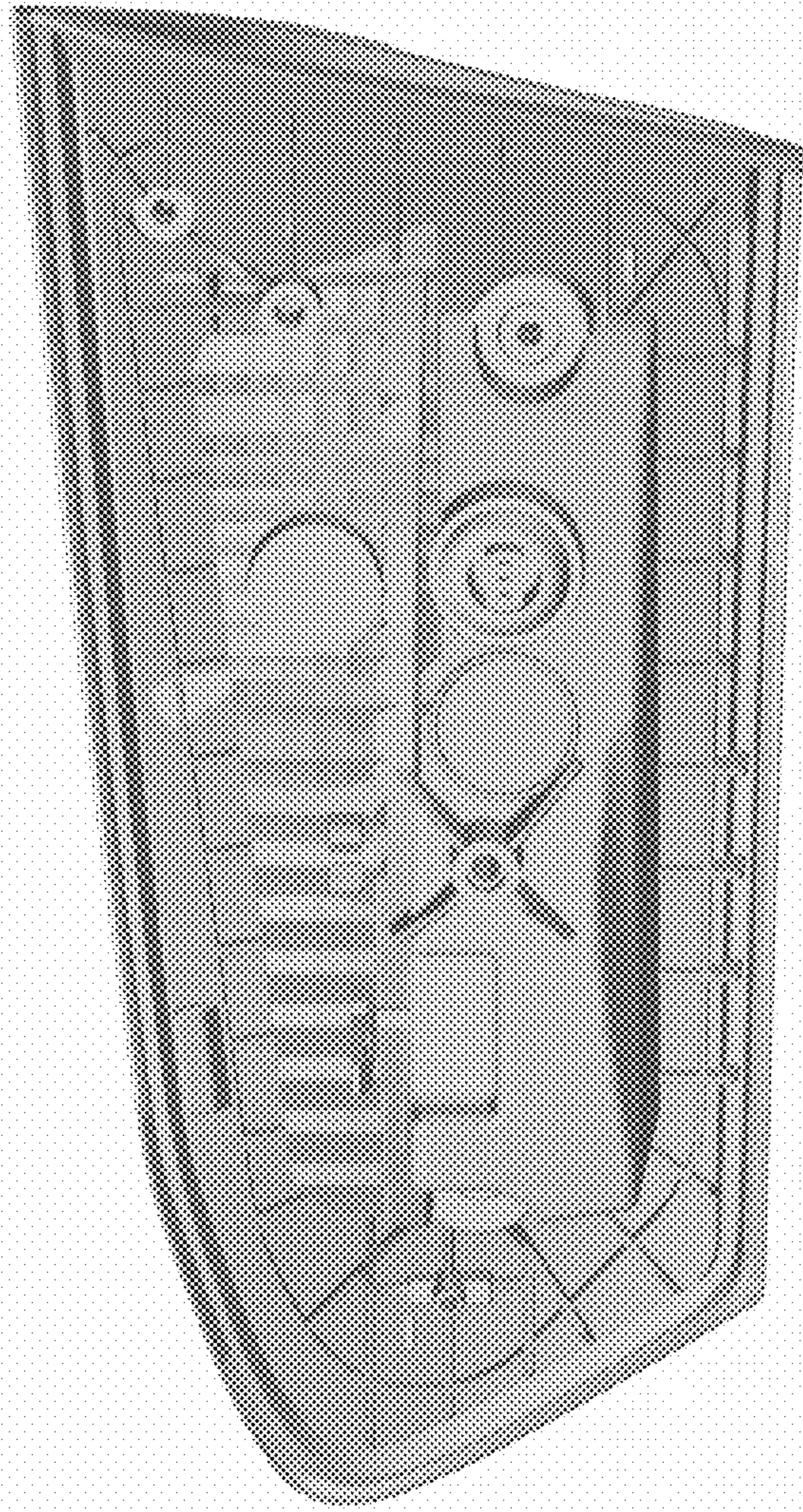


Fig. 20

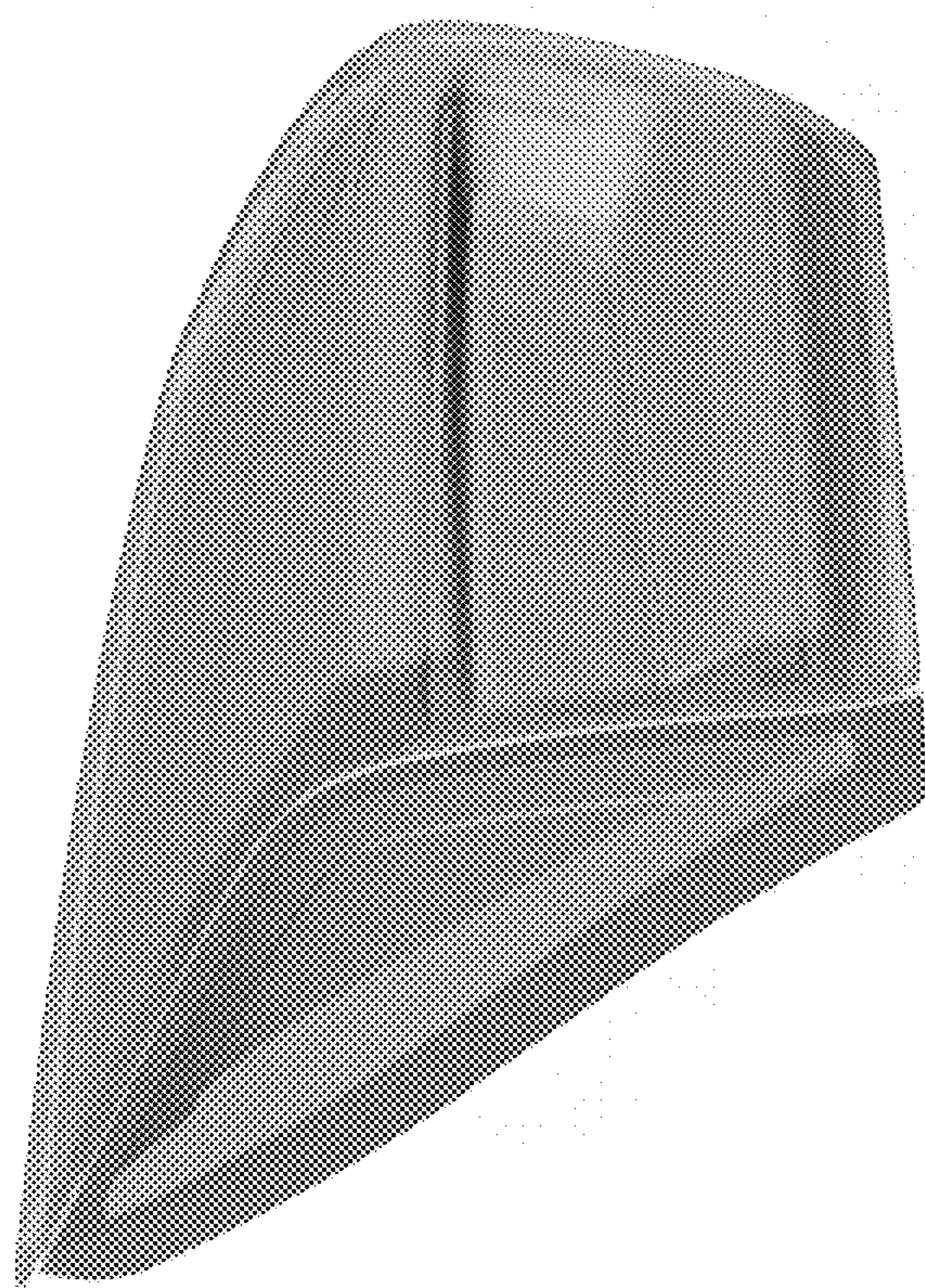
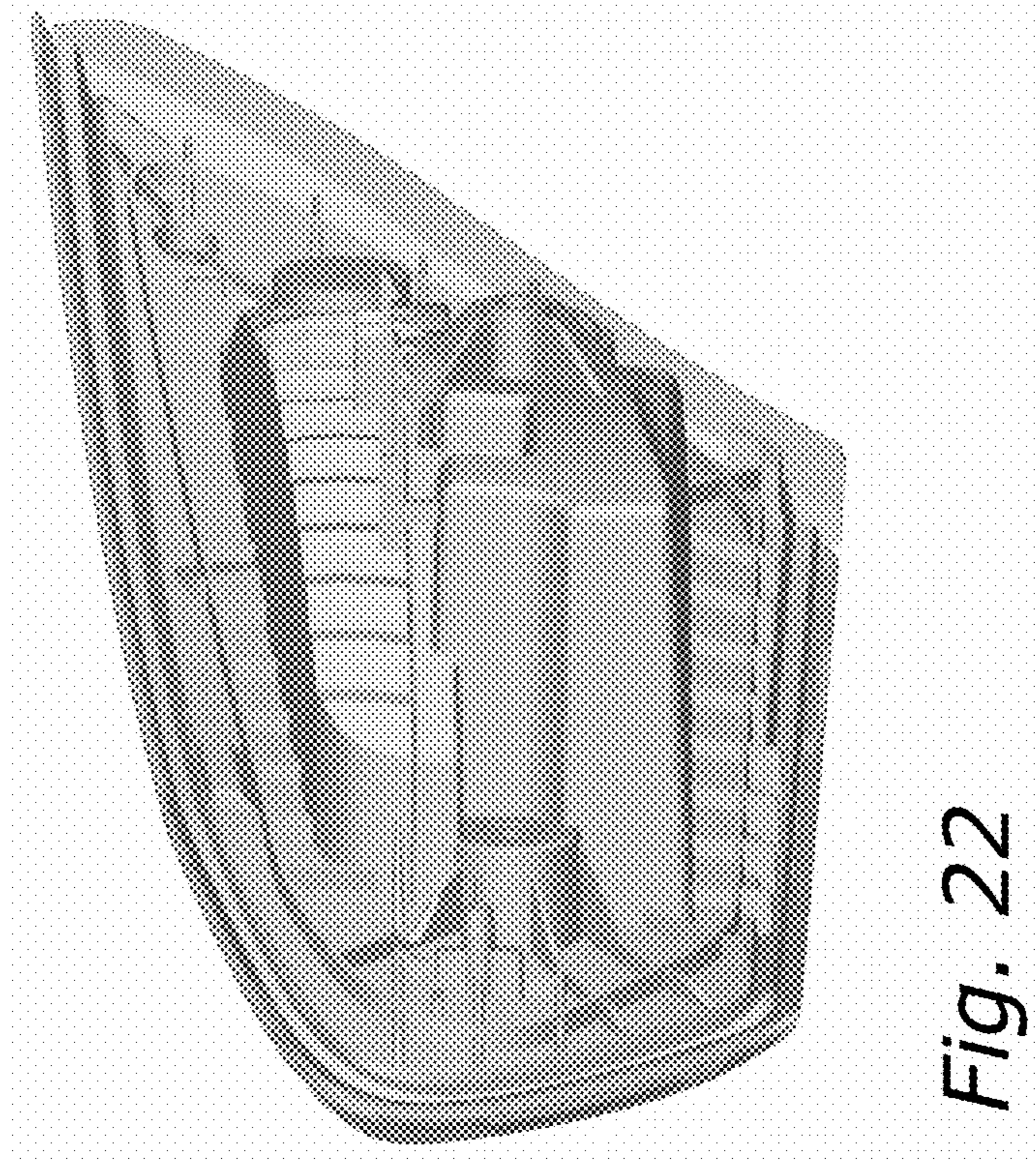


Fig. 21



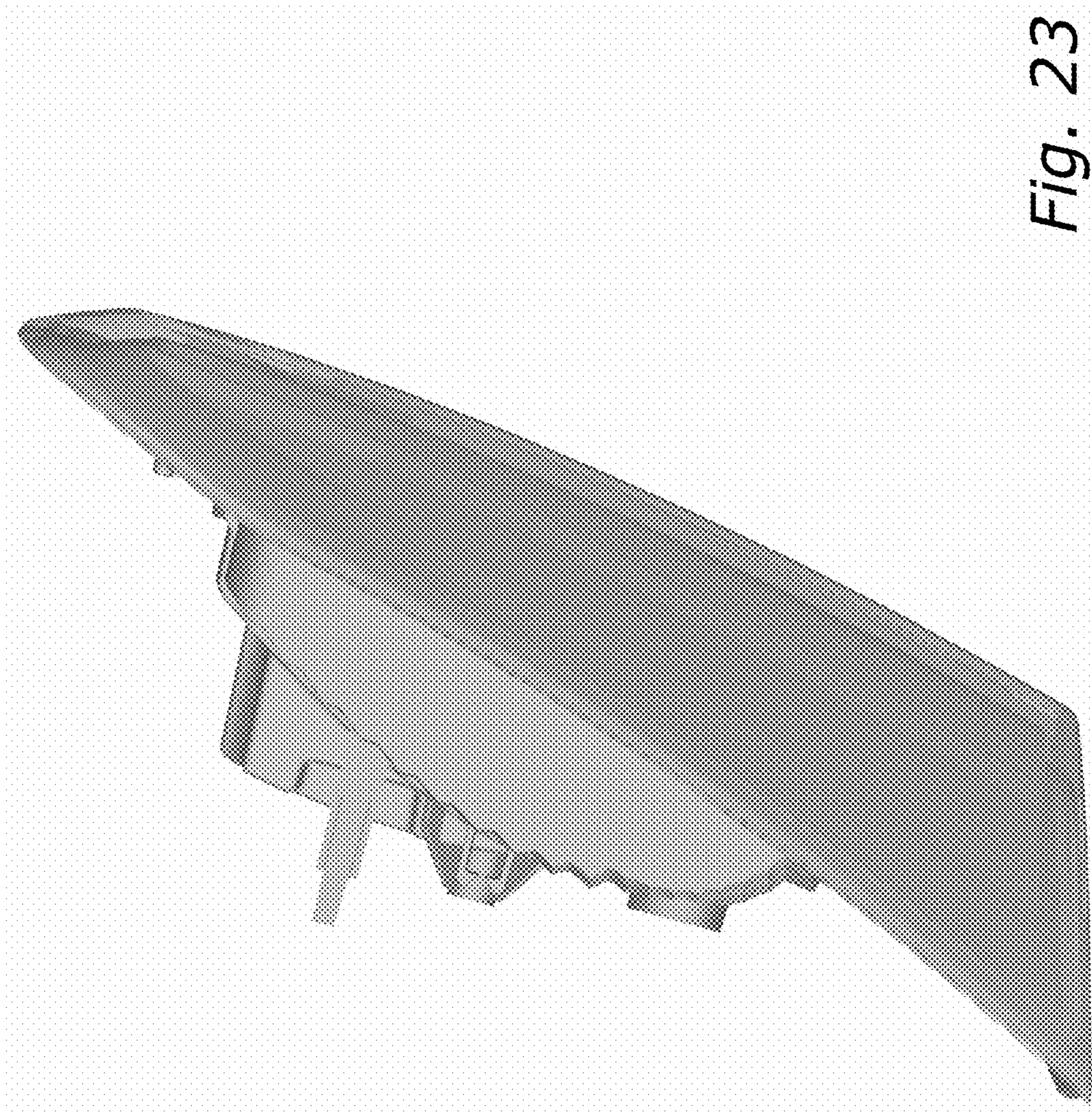


Fig. 23

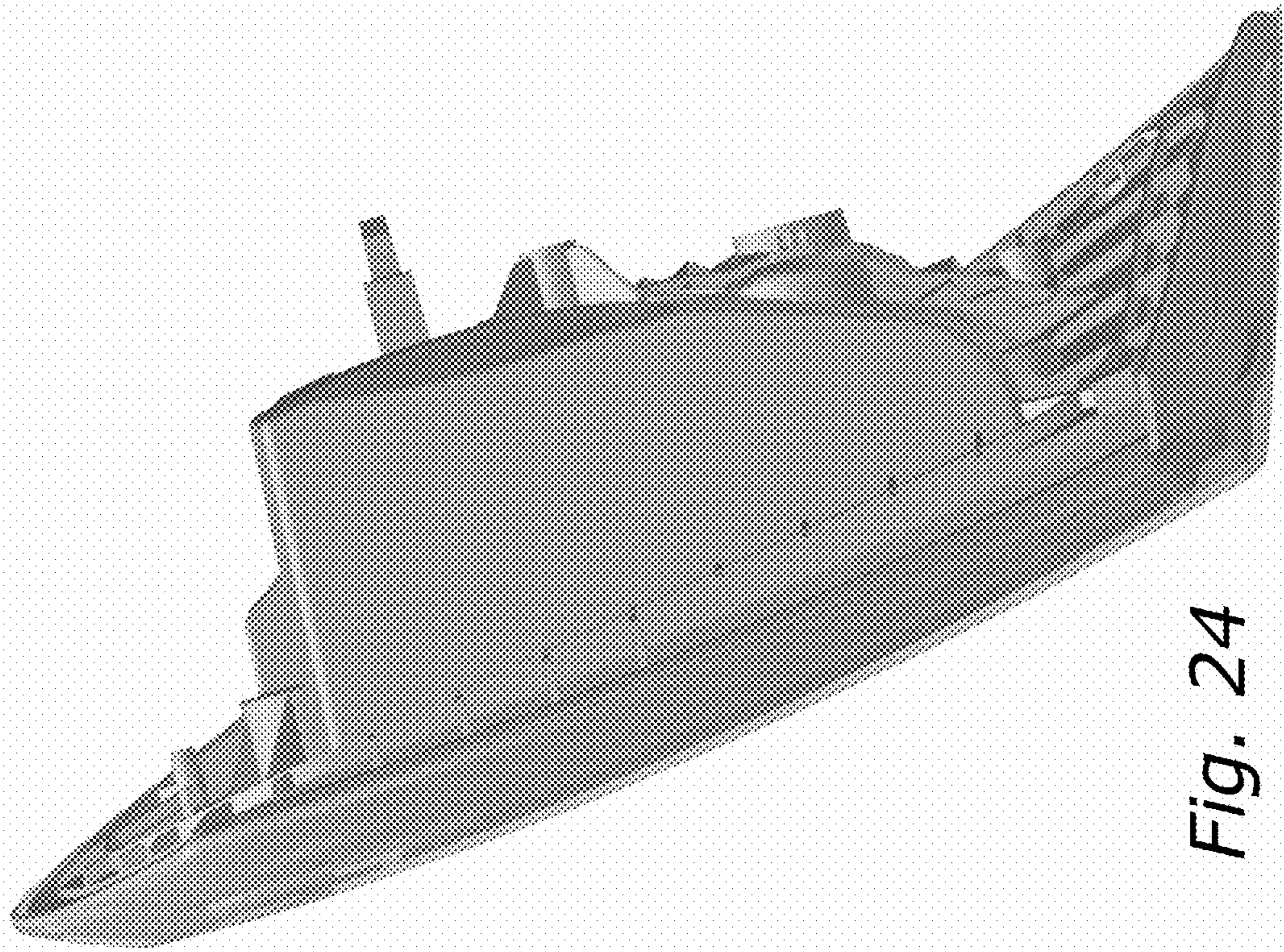
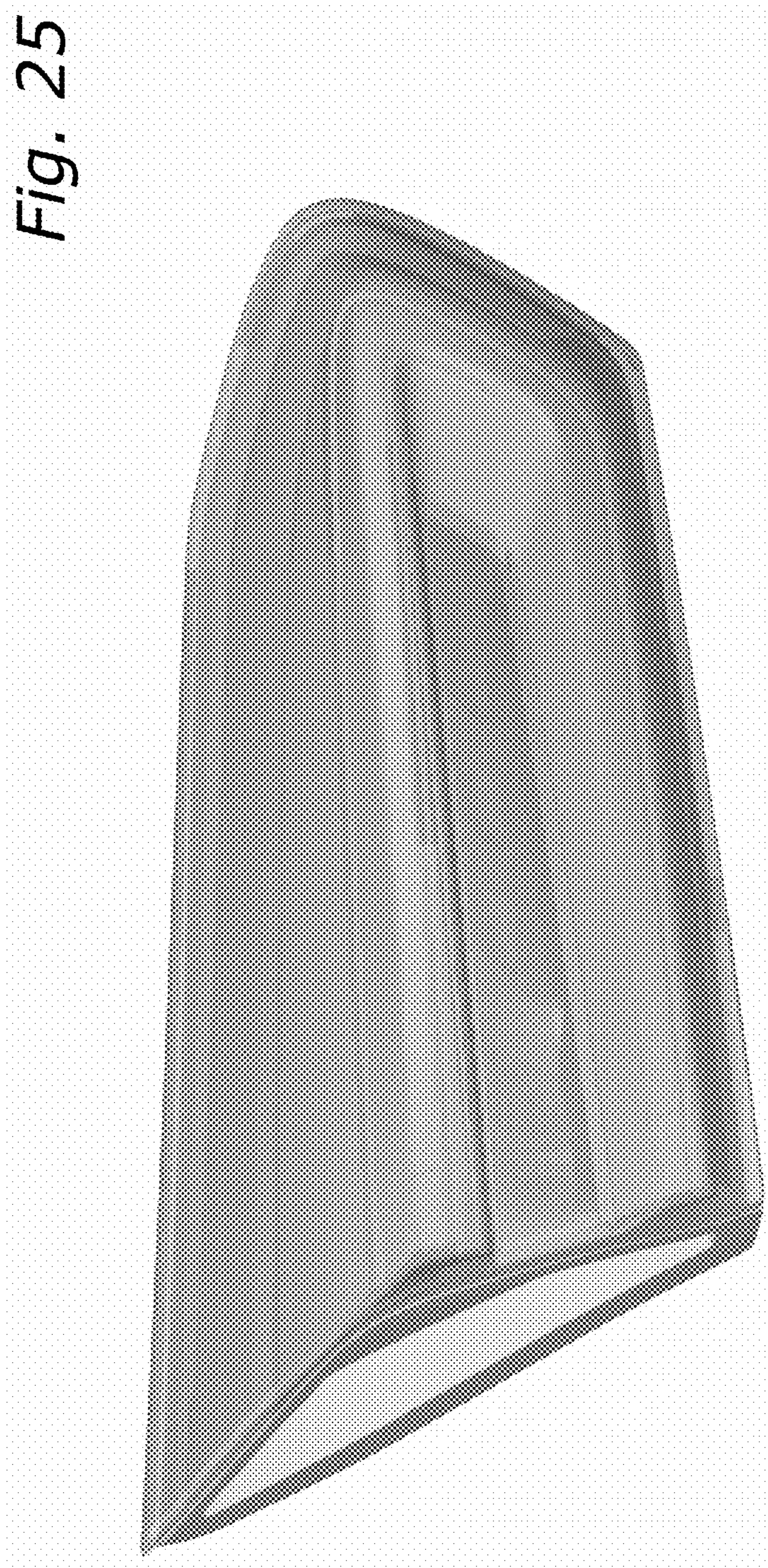


Fig. 24

Fig. 25



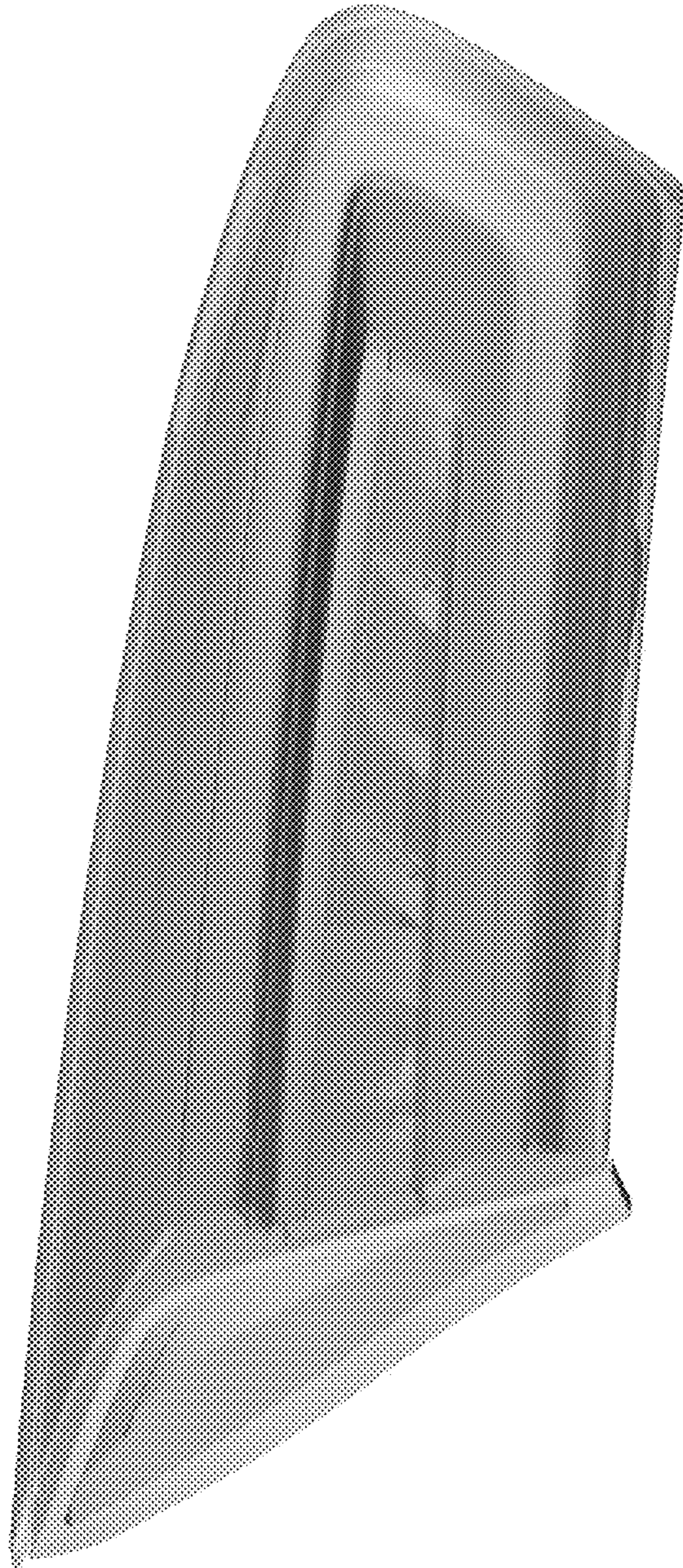


Fig. 26

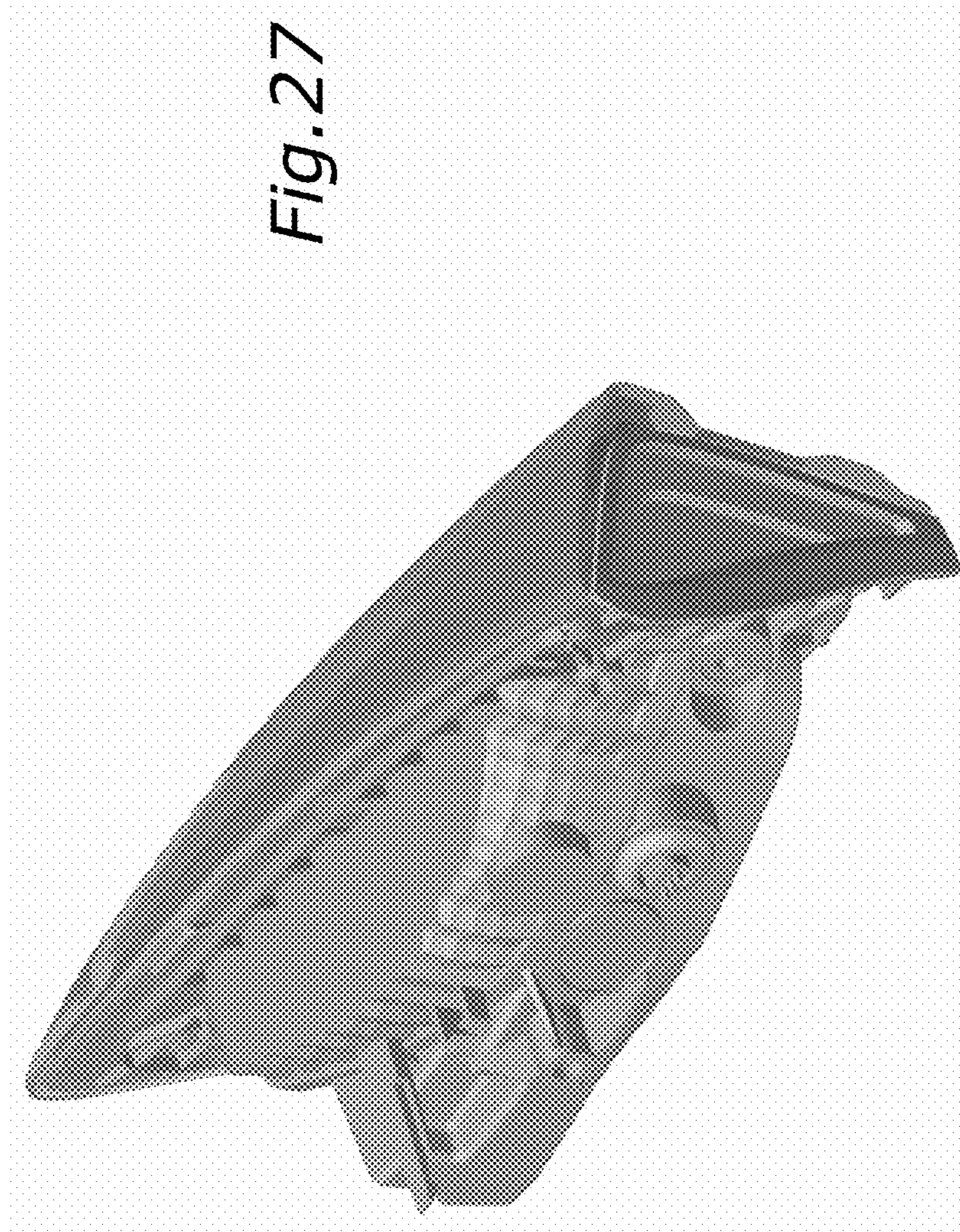


Fig. 27

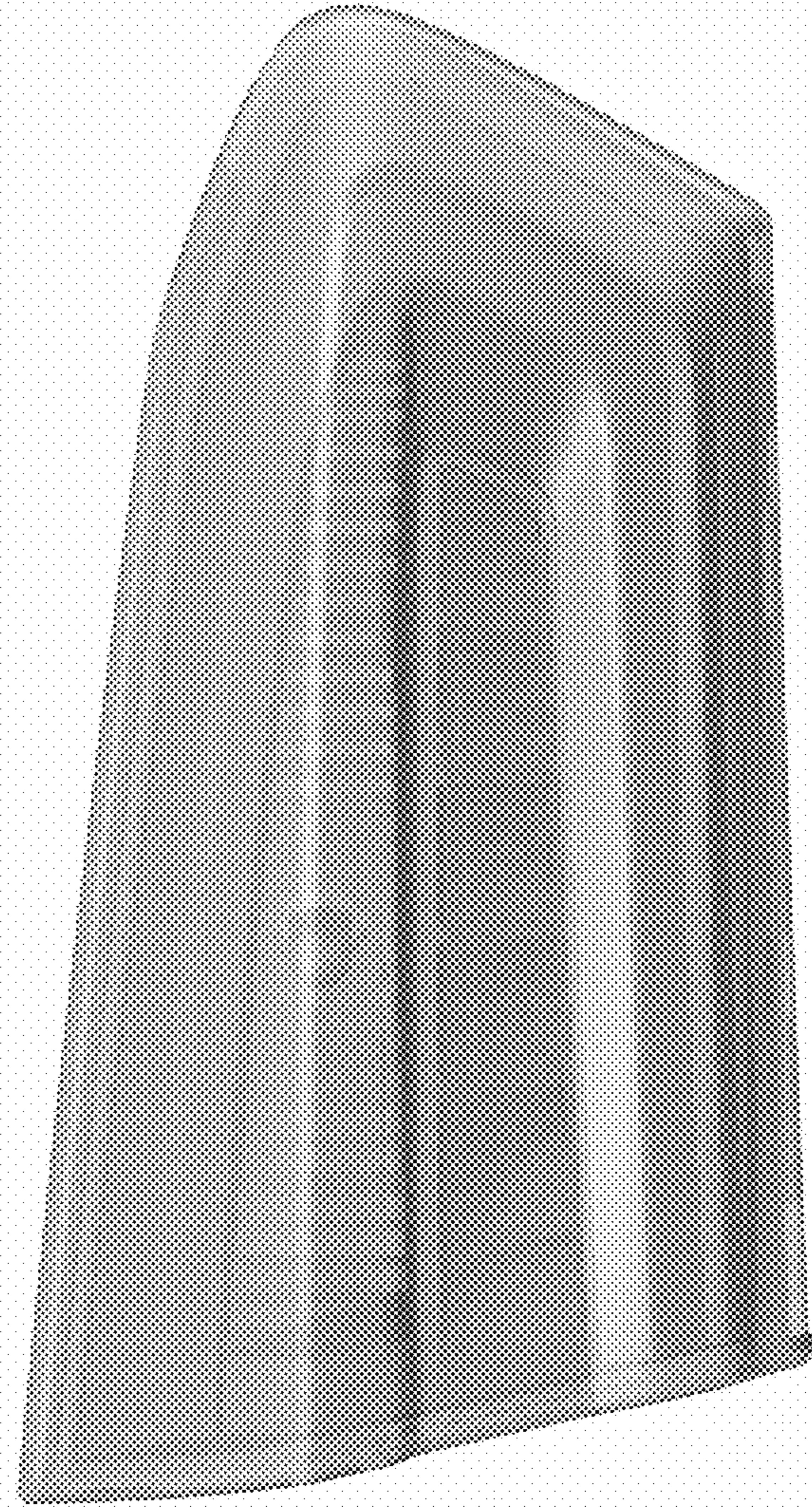


Fig. 28

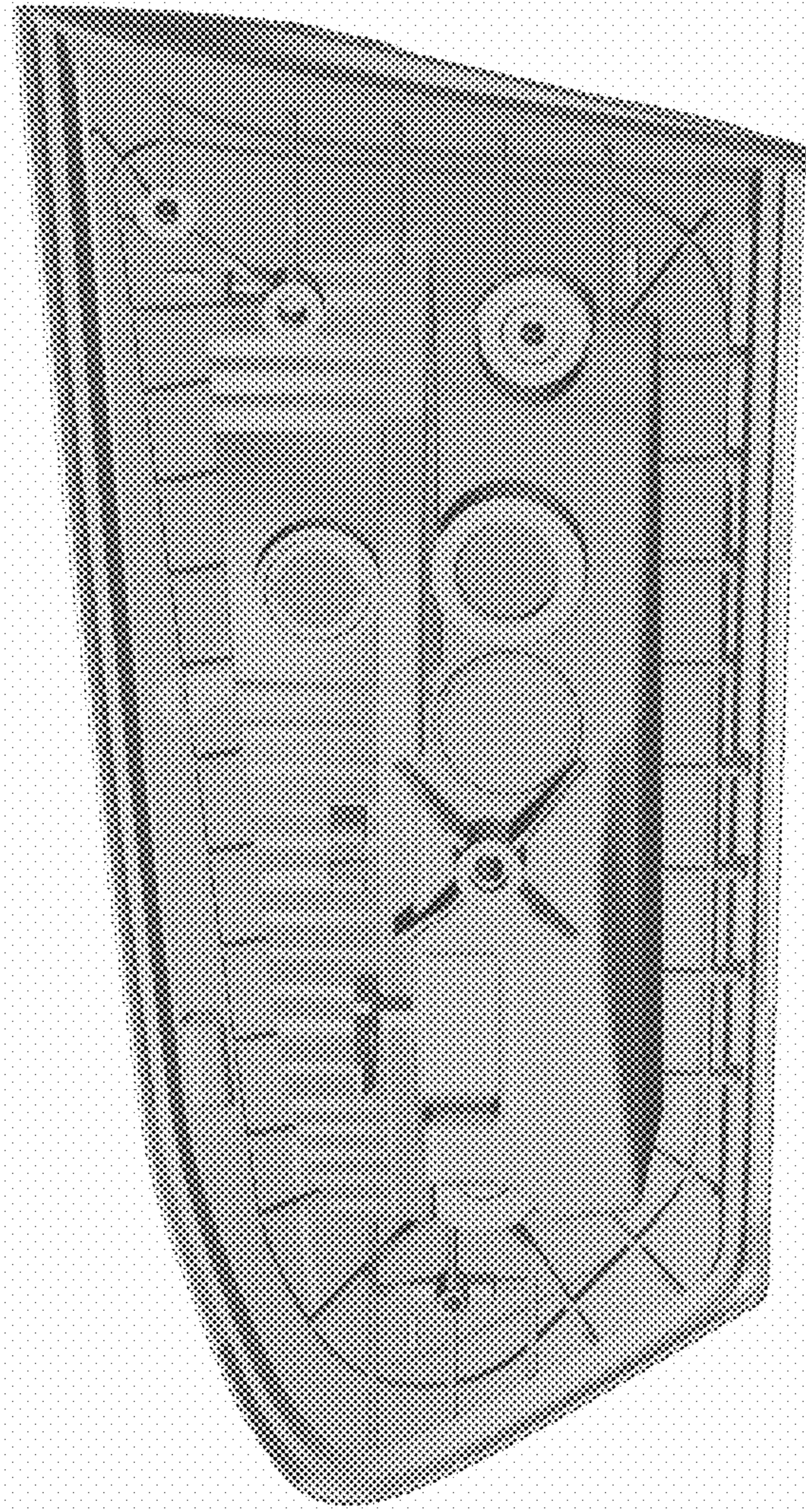


Fig. 29

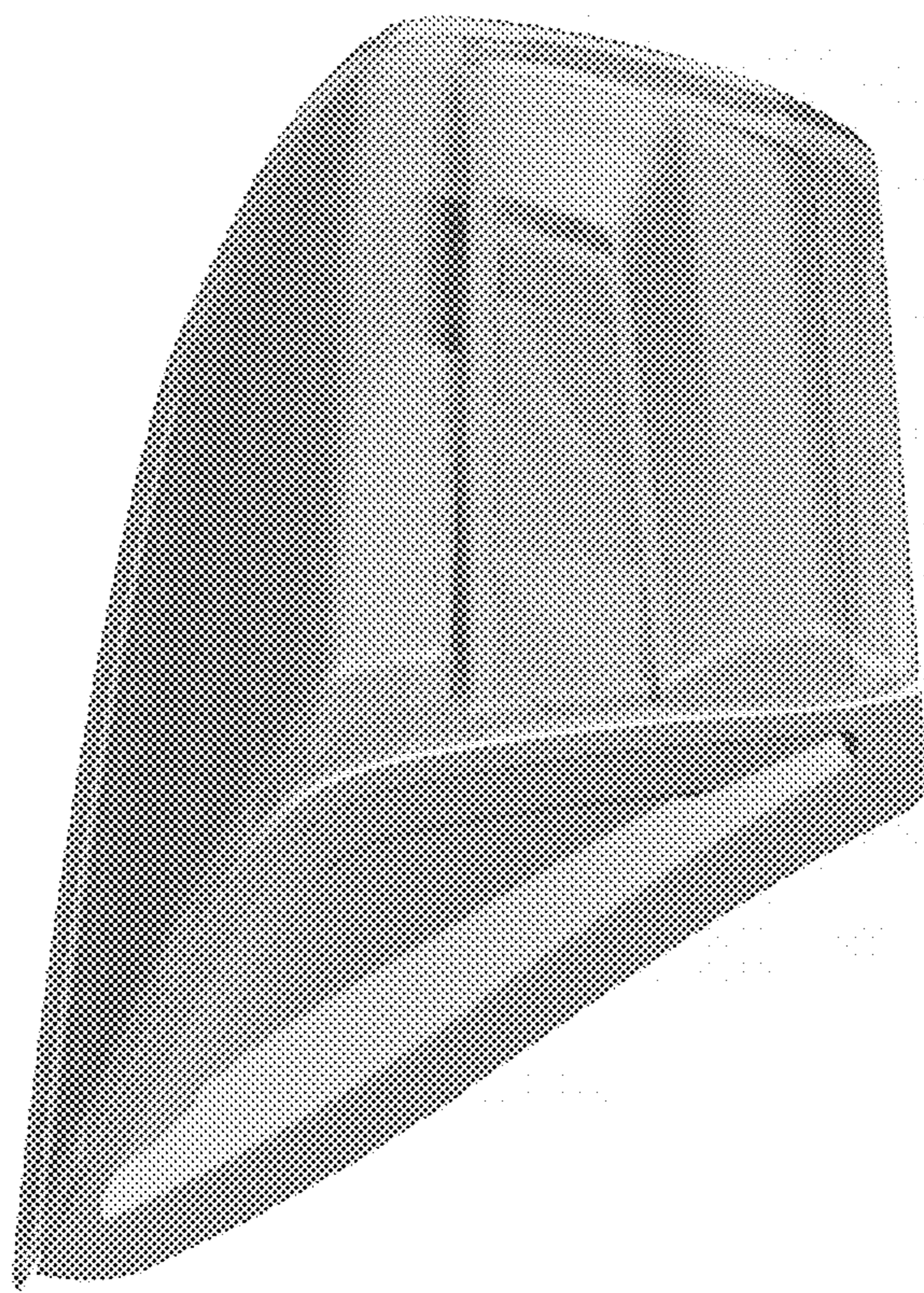
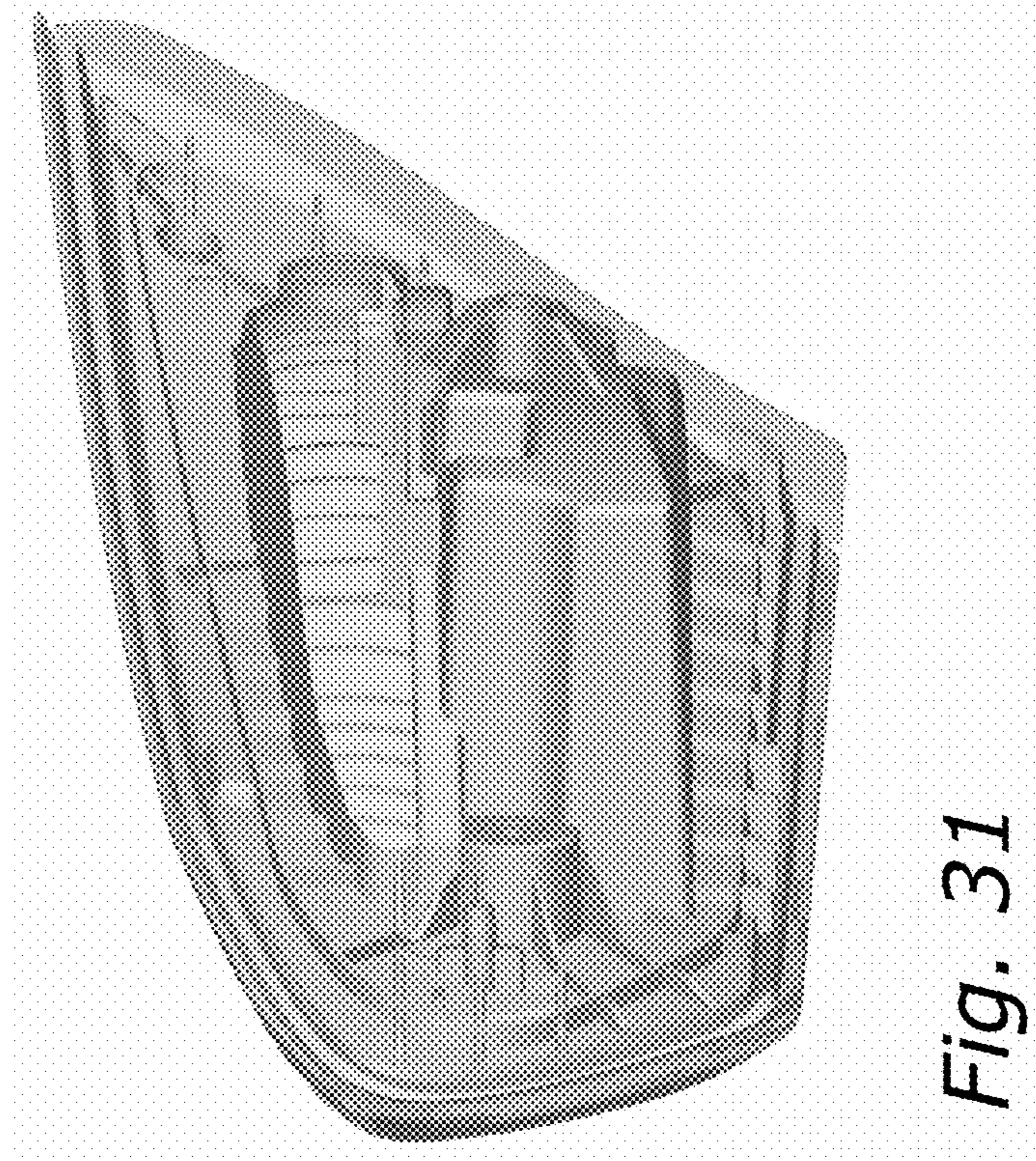


Fig. 30



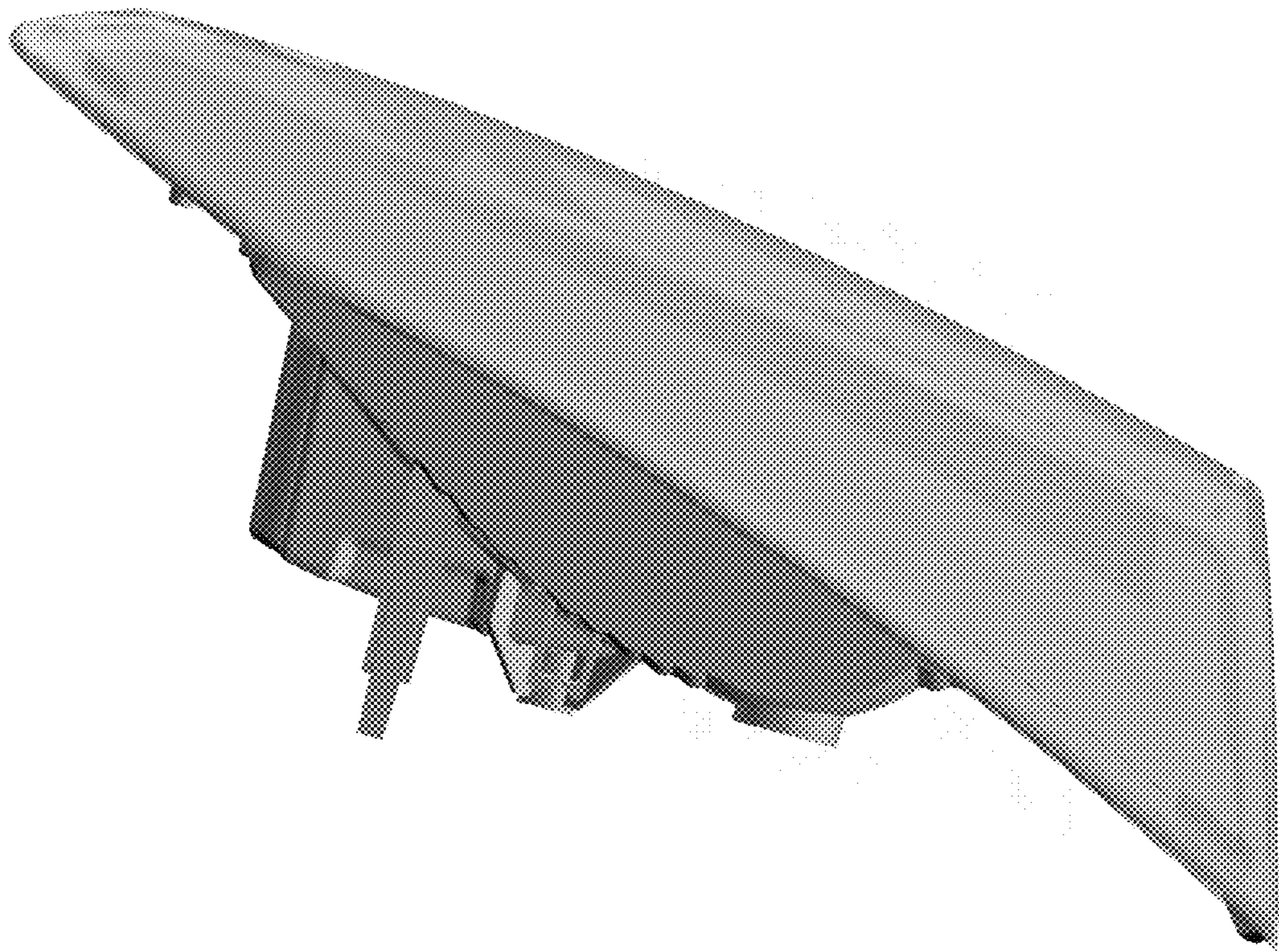


Fig. 32

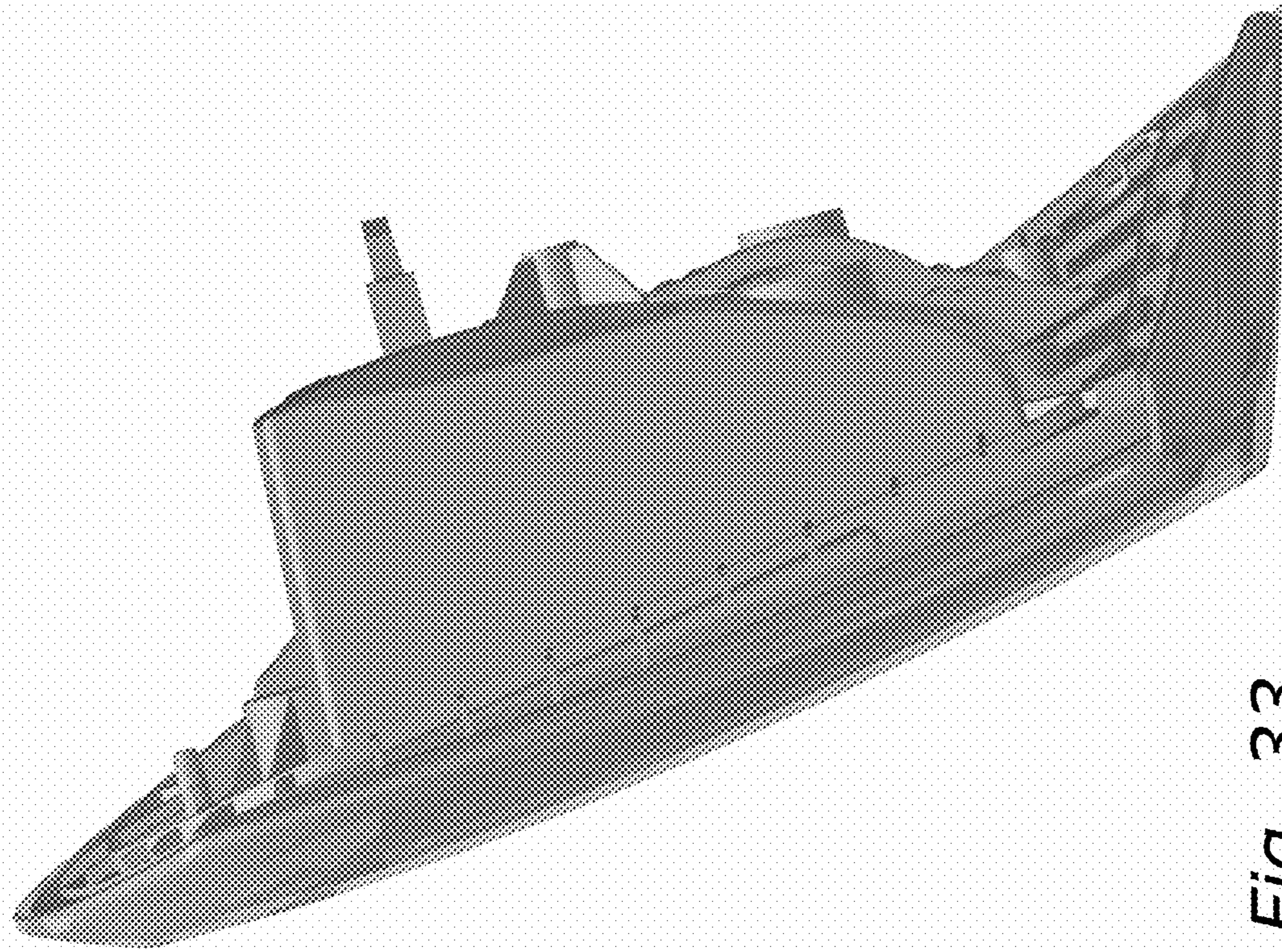
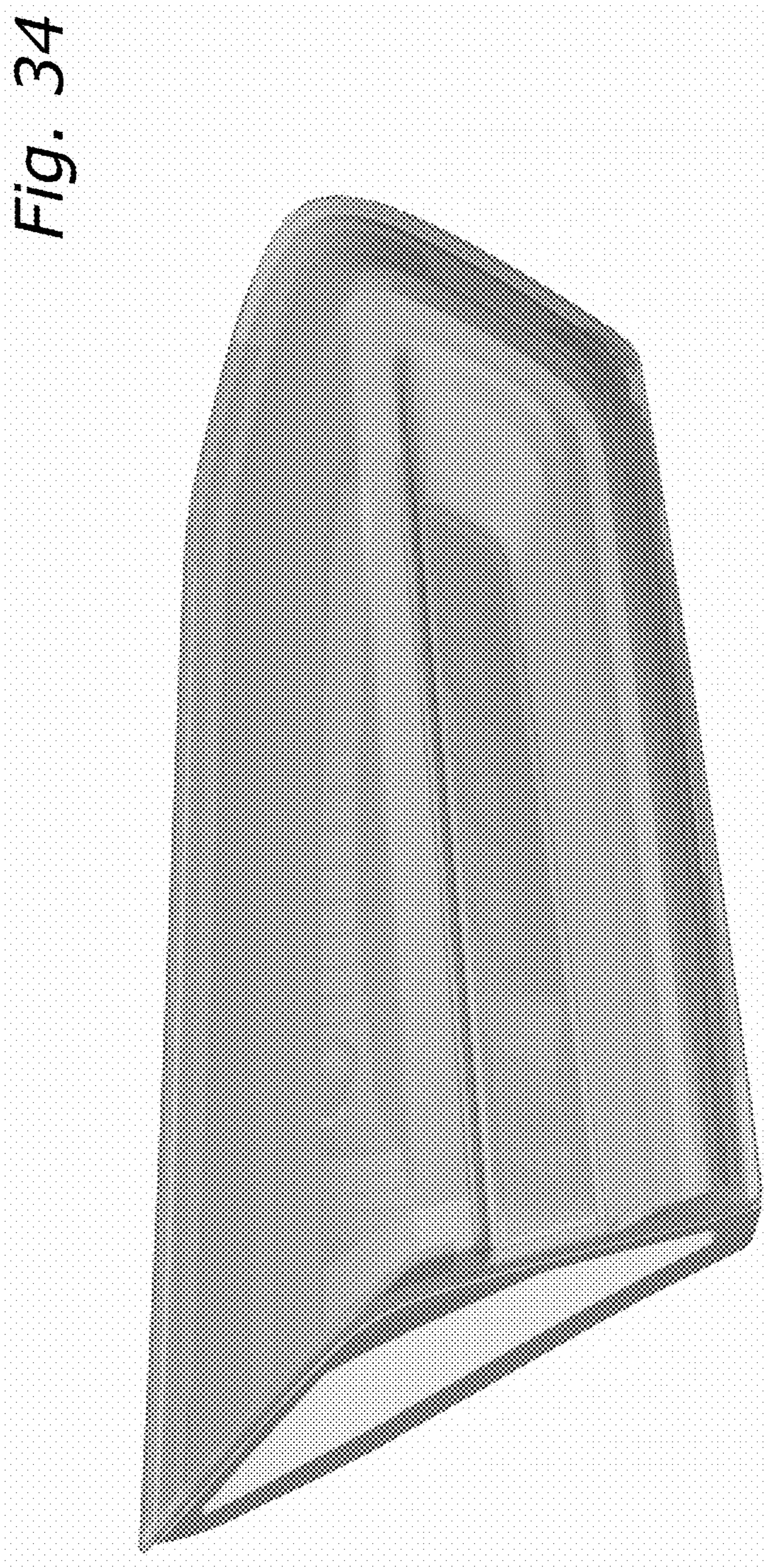


Fig. 33

Fig. 34



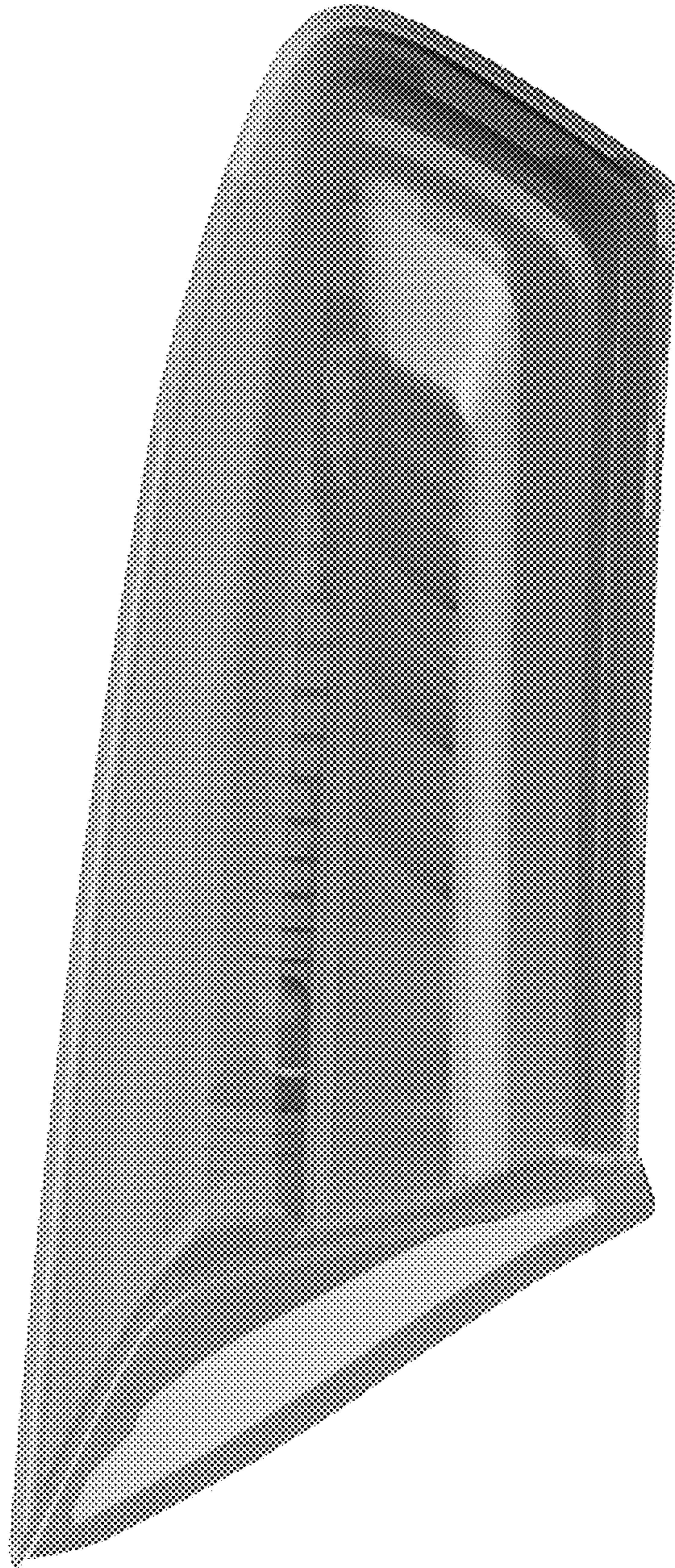


Fig. 35

Fig. 36

