



US00D907818S

(12) **United States Design Patent** (10) **Patent No.:** **US D907,818 S**  
**Tonello et al.** (45) **Date of Patent:** **\*\* Jan. 12, 2021**

(54) **VEHICLE TAIL LAMP**

(71) Applicant: **Ford Global Technologies, LLC**,  
Dearborn, MI (US)

(72) Inventors: **Domenico Tonello**, Cologne (DE);  
**Jordan Demkiw**, Cologne (DE); **Joel Piaskowski**, Dusseldorf (DE); **Claudio Messale**, Cologne (DE); **George Saridakis**, Edinburgh (GB); **Wolfgang Gotschke**, Cologne (DE)

(73) Assignee: **Ford Global Technologies, LLC**,  
Dearborn, MI (US)

(\*\*) Term: **15 Years**

(21) Appl. No.: **29/661,881**

(22) Filed: **Aug. 31, 2018**

(30) **Foreign Application Priority Data**

Mar. 2, 2018 (DE) ..... 40 2018 100 240

(51) **LOC (13) Cl.** ..... **26-06**

(52) **U.S. Cl.**  
USPC ..... **D26/28**

(58) **Field of Classification Search**  
USPC ..... D26/28-36, 139

(Continued)

(56) **References Cited**

**U.S. PATENT DOCUMENTS**

D646,815 S \* 10/2011 Goplen ..... D26/28

D686,358 S \* 7/2013 Morgenstern ..... D26/28

(Continued)

*Primary Examiner* — Marcus A Jackson

(57) **CLAIM**

The ornamental design for a vehicle tail lamp, as shown and described.

**DESCRIPTION**

FIG. 1 is a front elevational view of a first embodiment of a vehicle tail lamp, showing our new design;

FIG. 2 is a rear elevational view thereof;  
FIG. 3 is a left side elevational view thereof;  
FIG. 4 is a right side elevational view thereof;  
FIG. 5 is a top plan view thereof;  
FIG. 6 is a bottom plan view thereof;  
FIG. 7 is a top, front, and left side perspective view thereof;  
FIG. 8 is a bottom, front, and left side perspective view thereof, and  
FIG. 9 is a top, and rear perspective view thereof.  
FIG. 10 is a front elevational view of a second embodiment of a vehicle tail lamp, showing our new design;  
FIG. 11 is a rear elevational view thereof;  
FIG. 12 is a left side elevational view thereof;  
FIG. 13 is a right side elevational view thereof;  
FIG. 14 is a top plan view thereof;  
FIG. 15 is a bottom plan view thereof;  
FIG. 16 is a top, front, and left side perspective view thereof;  
FIG. 17 is a bottom, front, and left side perspective view thereof, and  
FIG. 18 is a top, and rear perspective view thereof.  
FIG. 19 is a front elevational view of a third embodiment of a vehicle tail lamp, showing our new design;  
FIG. 20 is a rear elevational view thereof;  
FIG. 21 is a left side elevational view thereof;  
FIG. 22 is a right side elevational view thereof;  
FIG. 23 is a top plan view thereof;  
FIG. 24 is a bottom plan view thereof;  
FIG. 25 is a top, front, and left side perspective view thereof;  
FIG. 26 is a bottom, front, and left side perspective view thereof, and  
FIG. 27 is a top, and rear perspective view thereof.  
FIG. 28 is a front elevational view of a fourth embodiment of a vehicle tail lamp, showing our new design;  
FIG. 29 is a rear elevational view thereof;  
FIG. 30 is a left side elevational view thereof;  
FIG. 31 is a right side elevational view thereof;  
FIG. 32 is a top plan view thereof;  
FIG. 33 is a bottom plan view thereof;  
FIG. 34 is a top, front, and left side perspective view thereof;  
FIG. 35 is a bottom, front, and left side perspective view thereof, and  
FIG. 36 is a top, and rear perspective view thereof.  
FIG. 37 is a front elevational view of a fifth embodiment of a vehicle tail lamp, showing our new design;

(Continued)

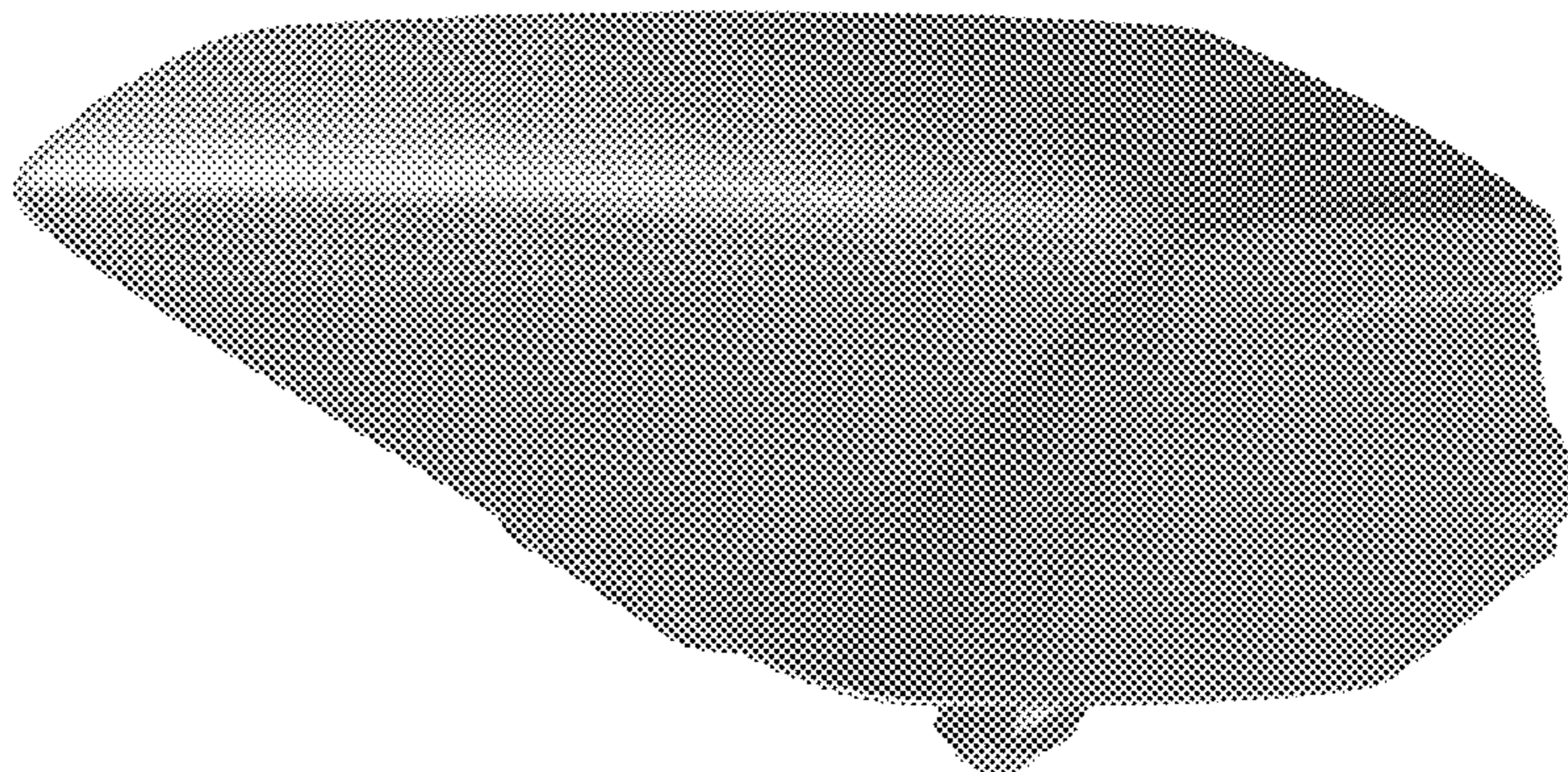
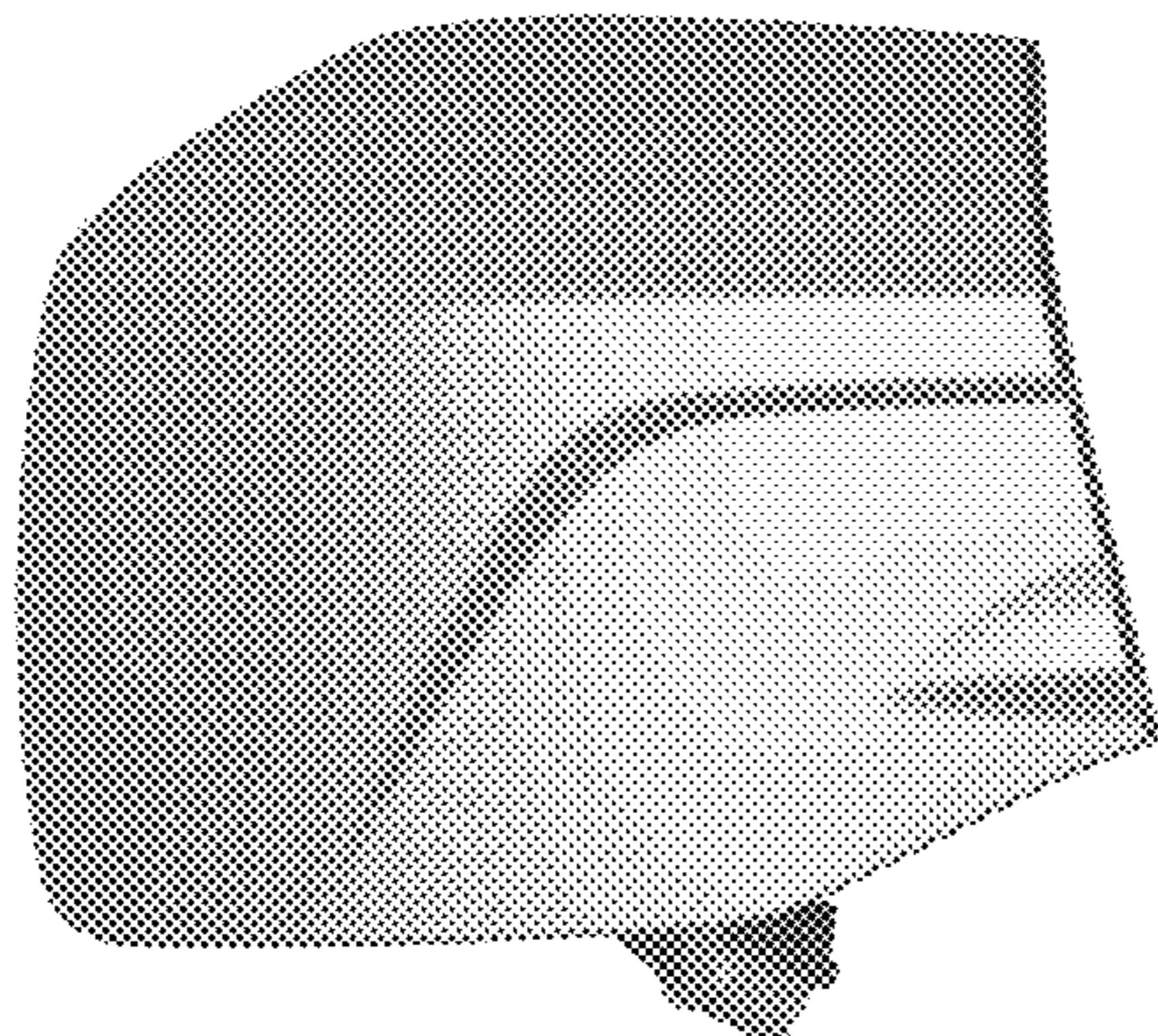


FIG. 38 is a rear elevational view thereof;  
FIG. 39 is a left side elevational view thereof;  
FIG. 40 is a right side elevational view thereof;  
FIG. 41 is a top plan view thereof;  
FIG. 42 is a bottom plan view thereof;  
FIG. 43 is a top, front, and left side perspective view thereof;  
FIG. 44 is a bottom, front, and left side perspective view thereof; and,  
FIG. 45 is a top, and rear perspective view thereof.  
Any broken lines represent an internal boundary of the design; the line itself and the area within form no part of the claim.

**1 Claim, 45 Drawing Sheets**

(58) **Field of Classification Search**

CPC ..... F21S 48/00; F21S 48/10; F21S 48/115;  
F21S 48/225; F21S 48/1266; F21S  
48/1388; F21S 48/2268; F21V 21/04;  
F21V 29/004; B60Q 9/13; B60Q 9/135;  
B60Q 9/1375

See application file for complete search history.

(56) **References Cited**

U.S. PATENT DOCUMENTS

D714,984	S	*	10/2014	Lai	.....	D26/28
D716,478	S	*	10/2014	Loeb	.....	D26/28
D737,480	S	*	8/2015	Park	.....	D26/28
D739,583	S	*	9/2015	Forsgren	.....	D26/28
D767,178	S	*	9/2016	Liu	.....	D26/28

\* cited by examiner

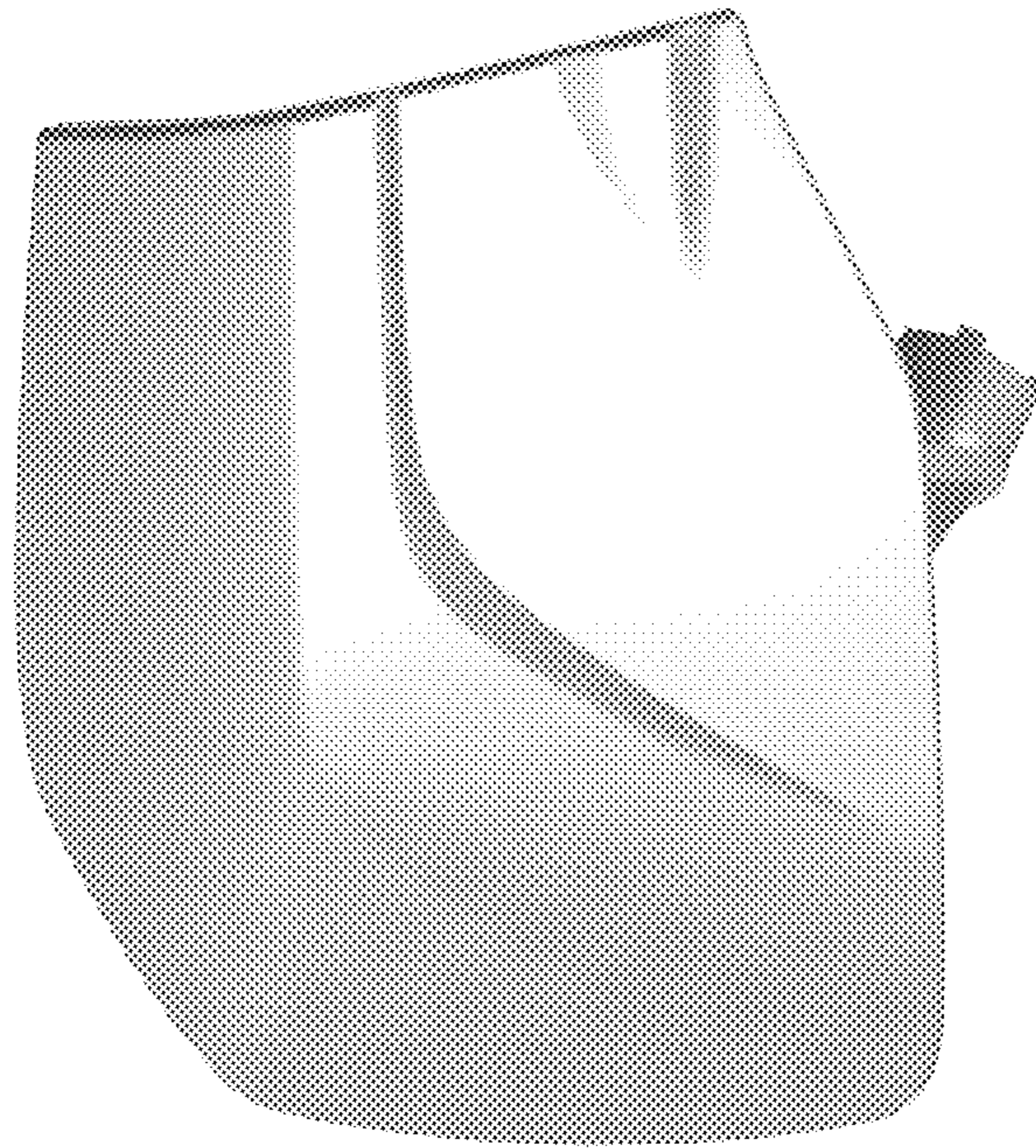


Fig. 1

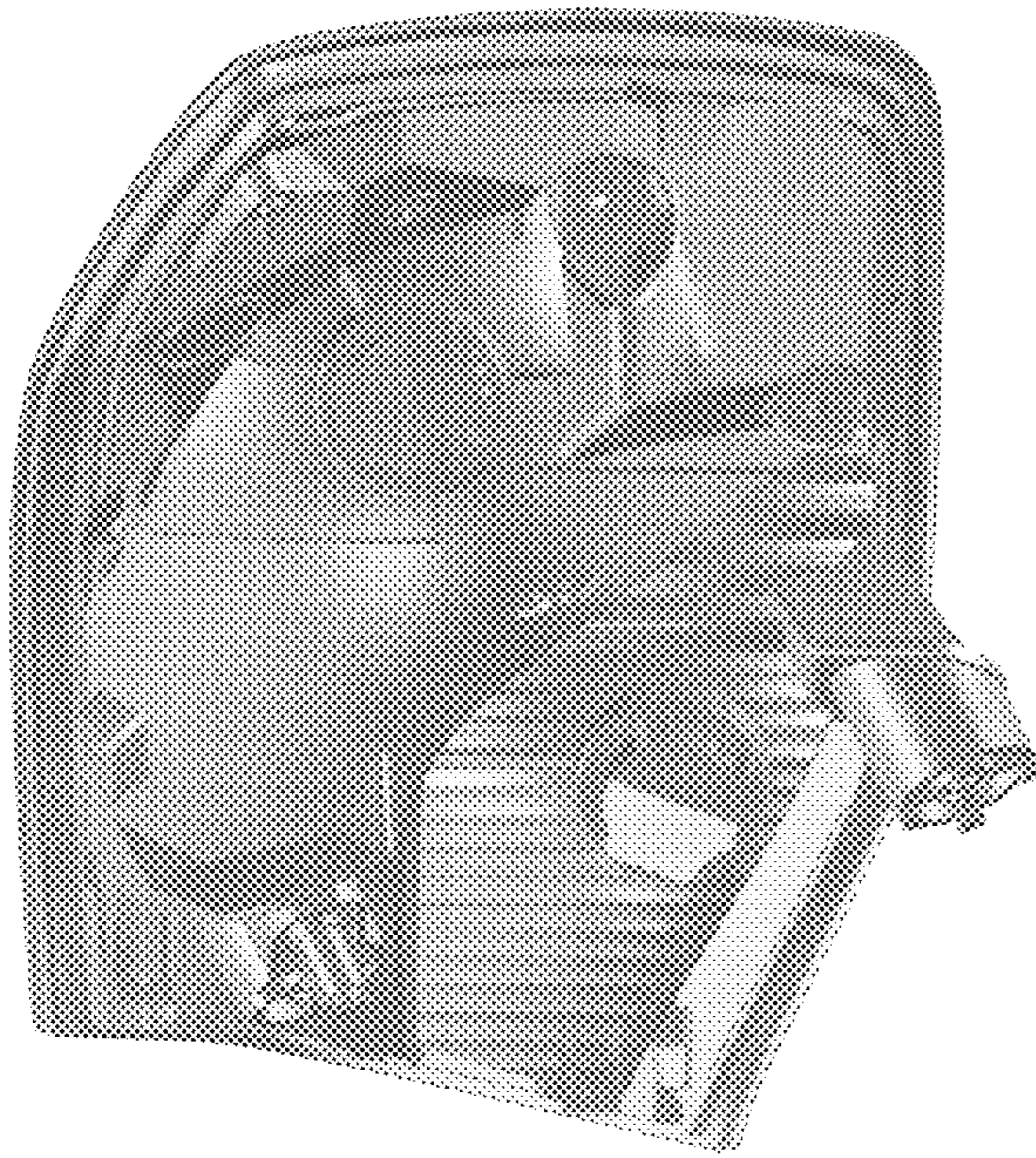


Fig. 2

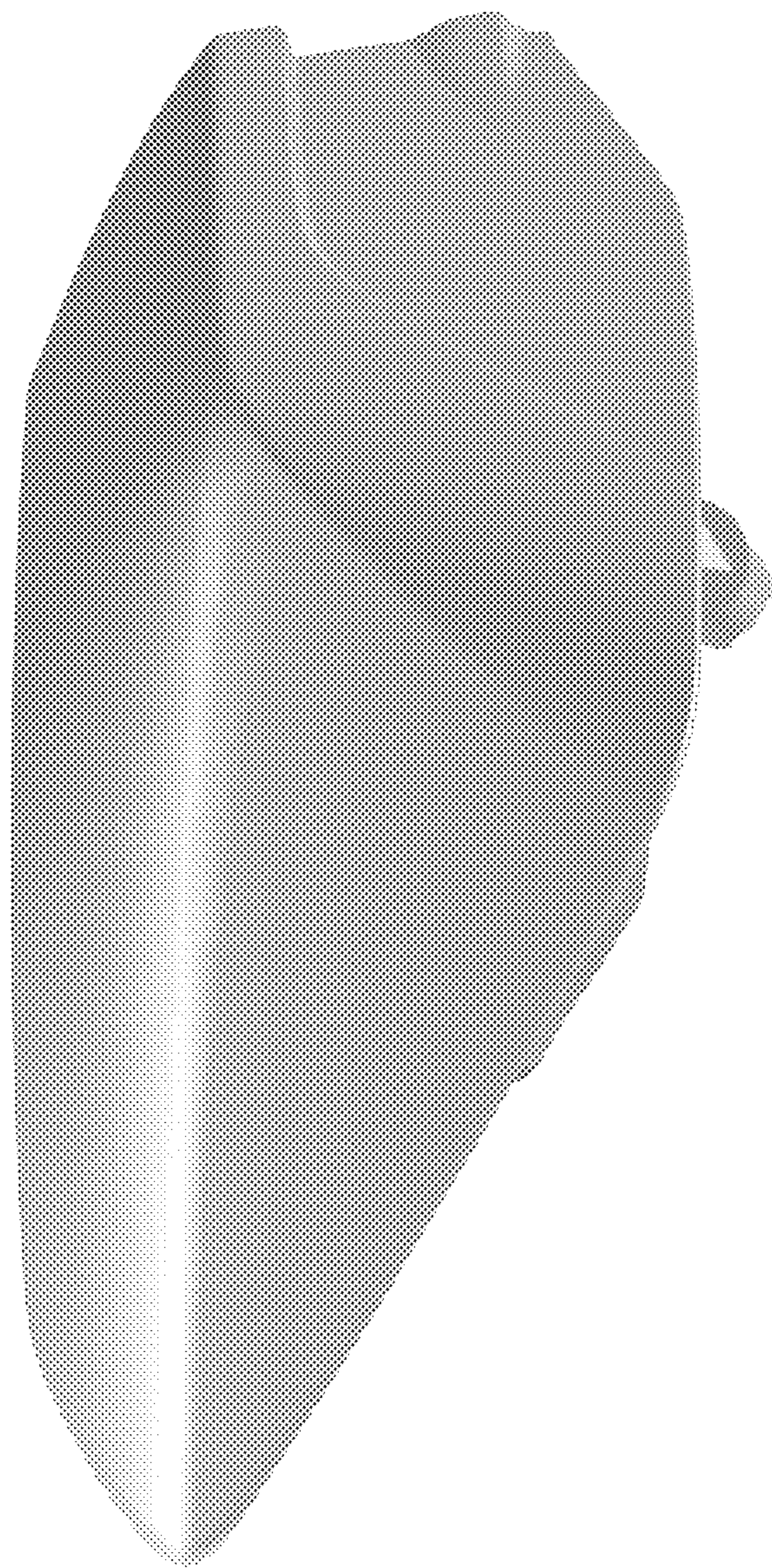


Fig. 3

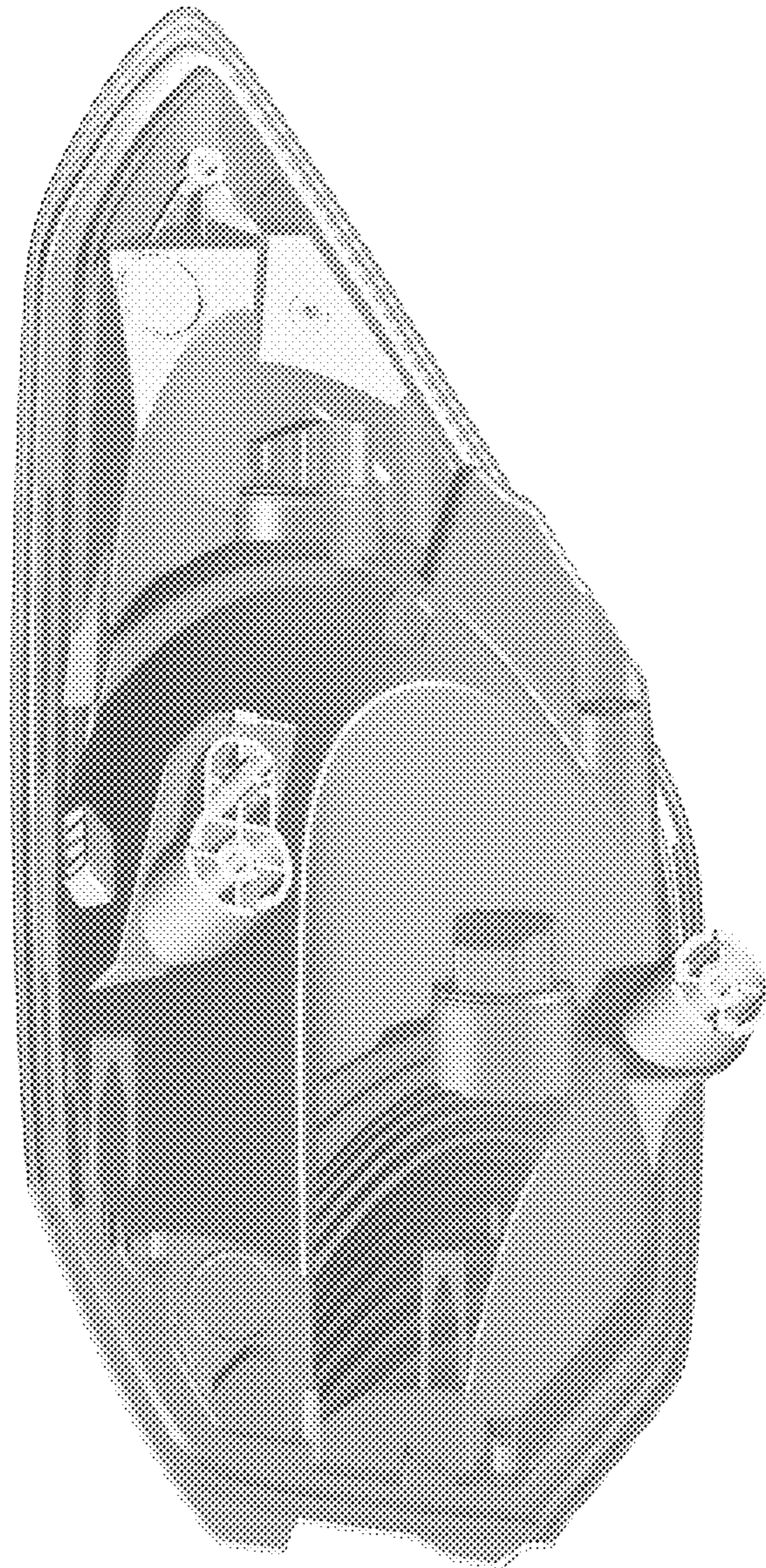


Fig. 4

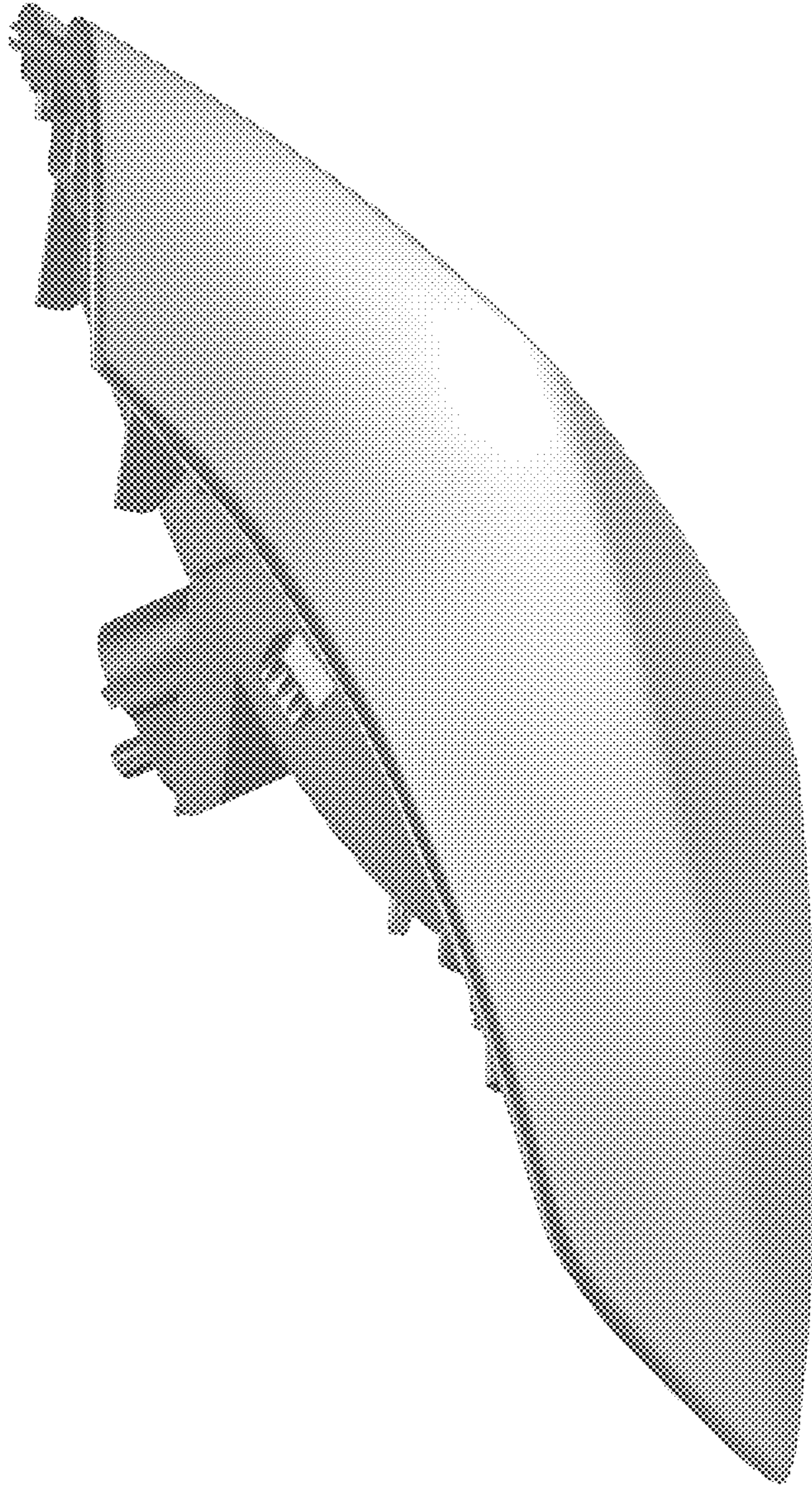


Fig. 5

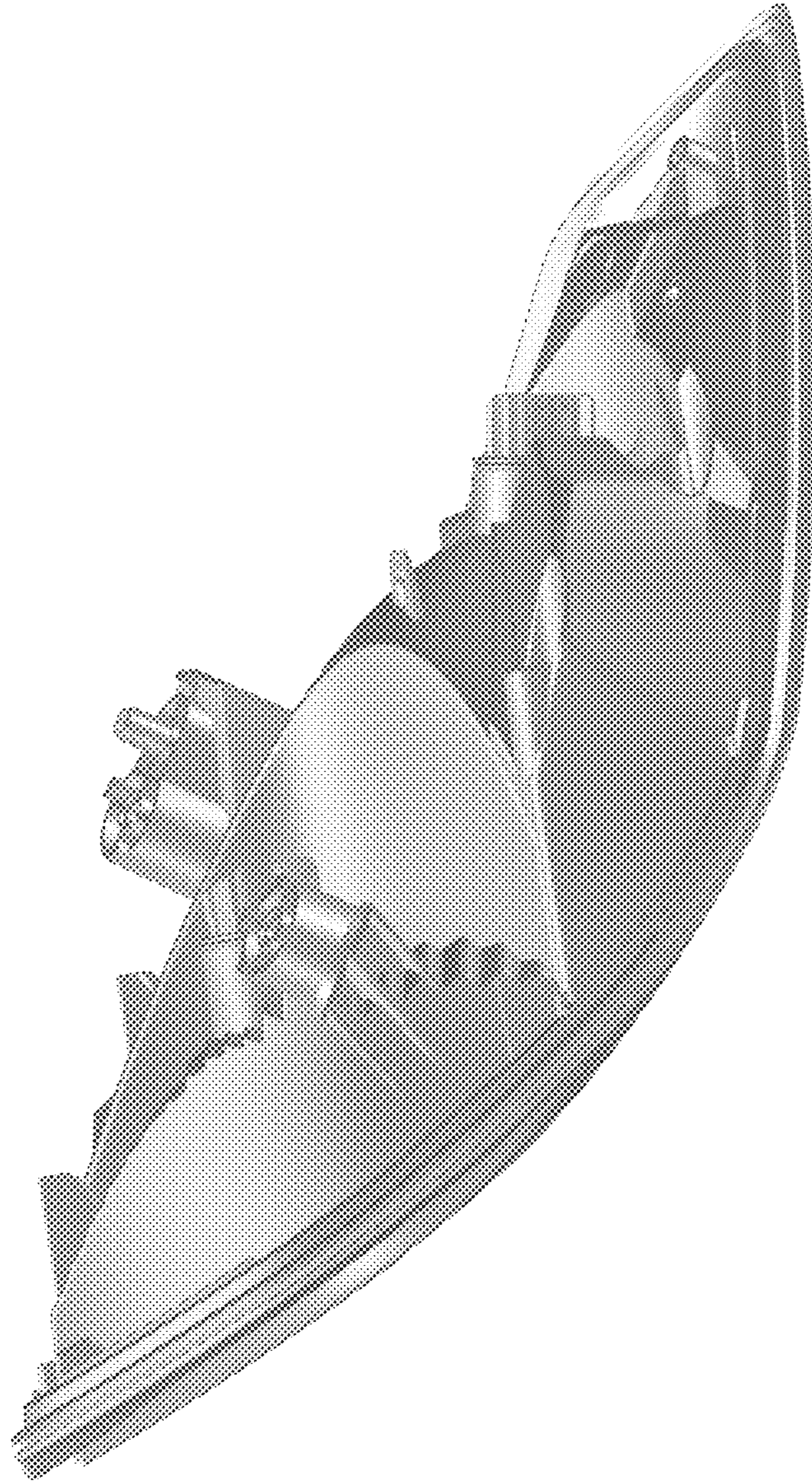
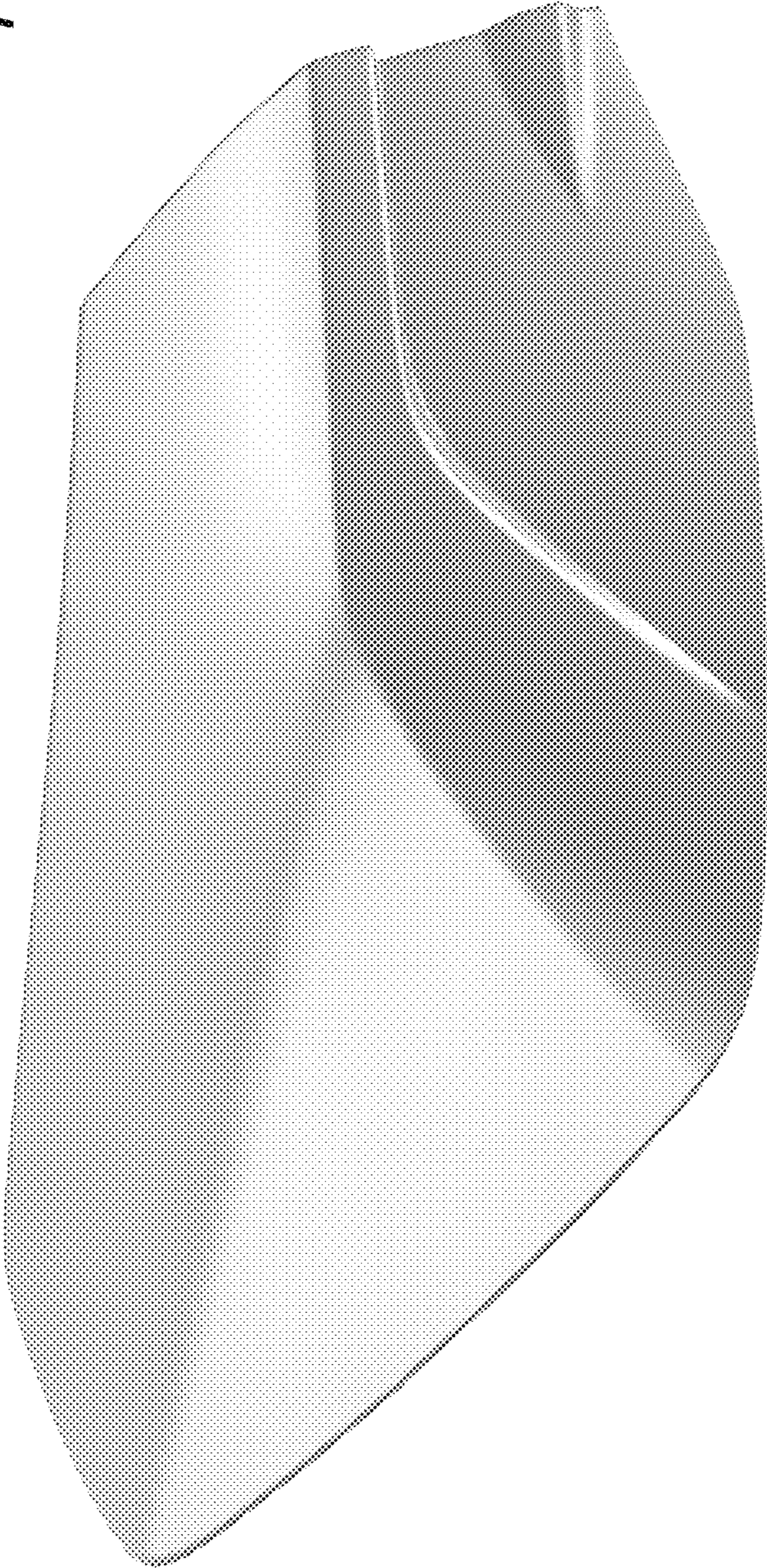


Fig. 6



Fig. 7



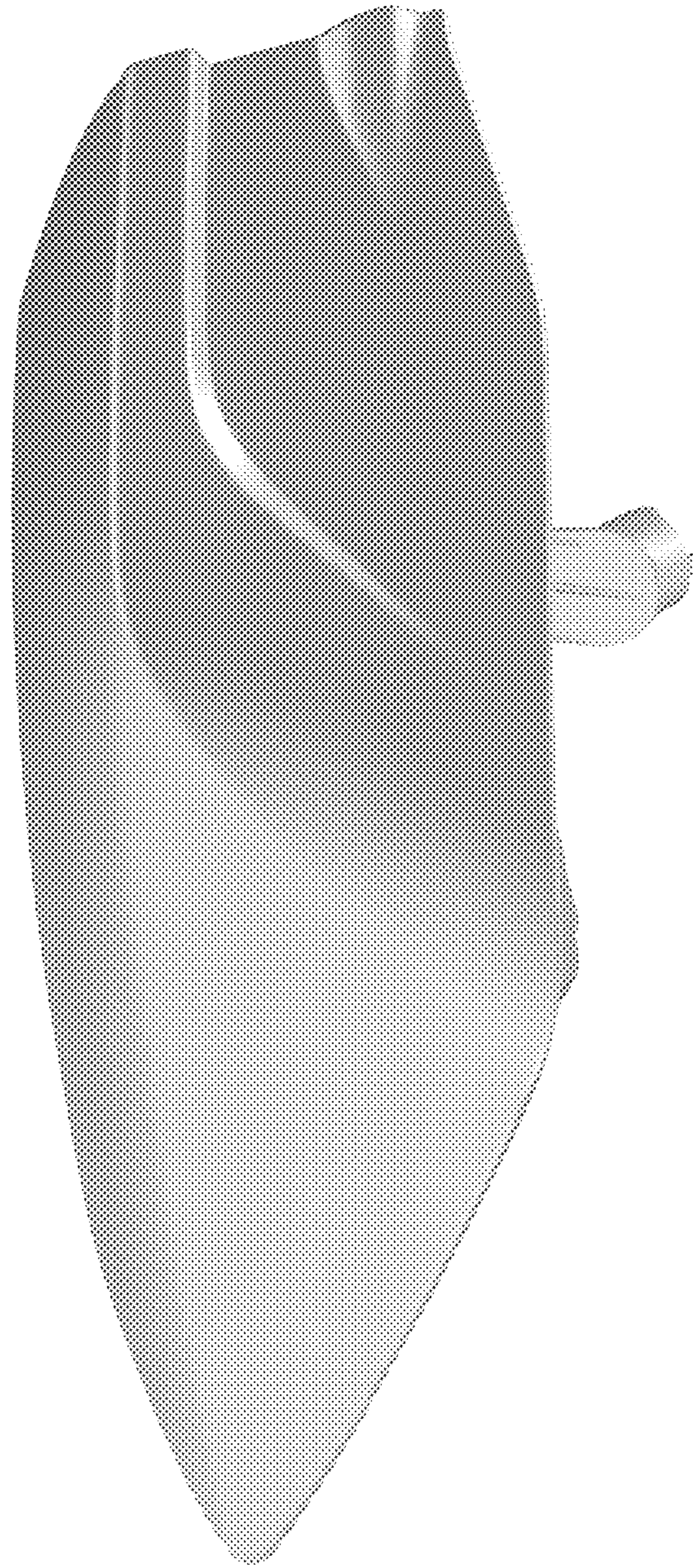
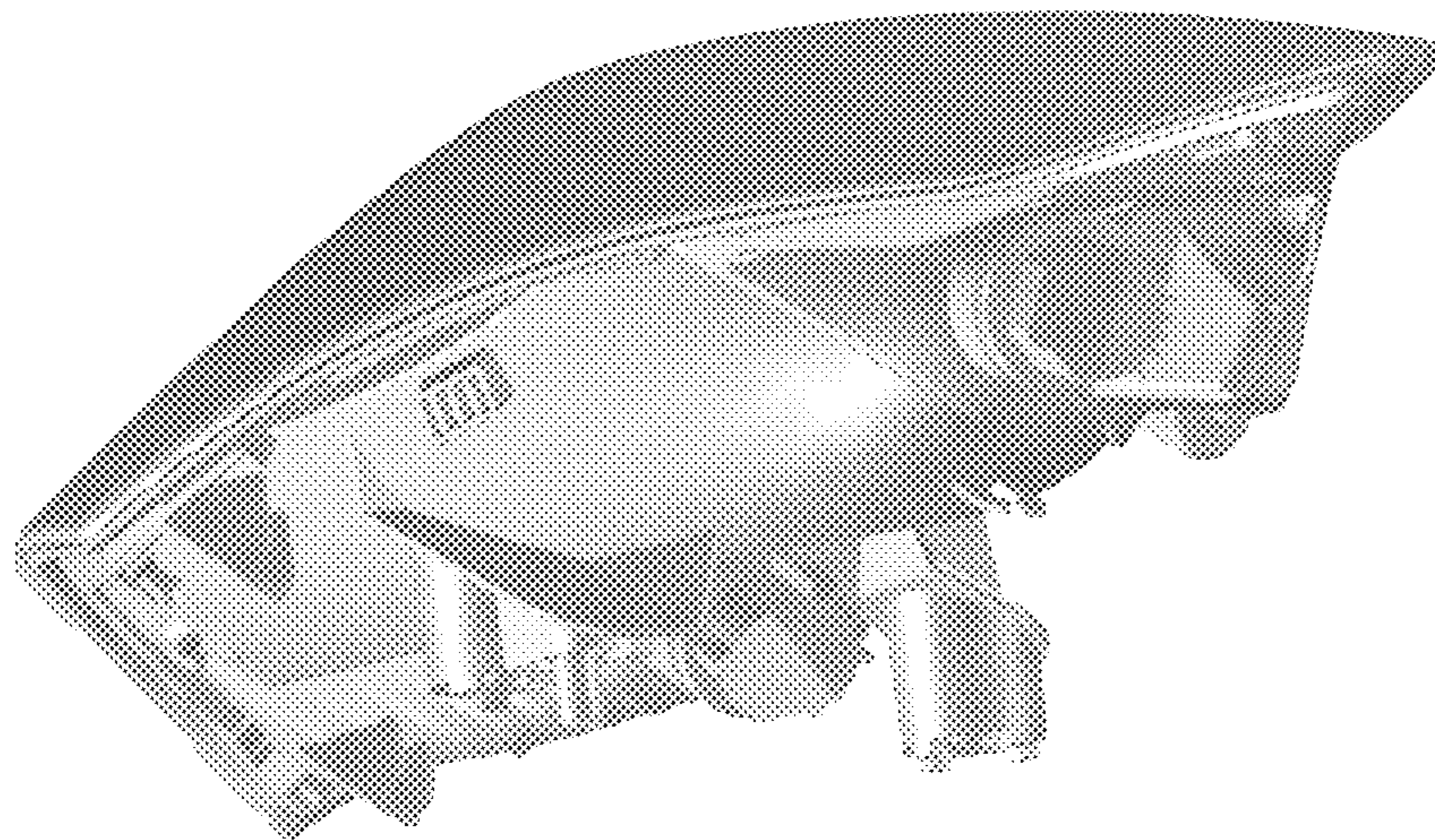
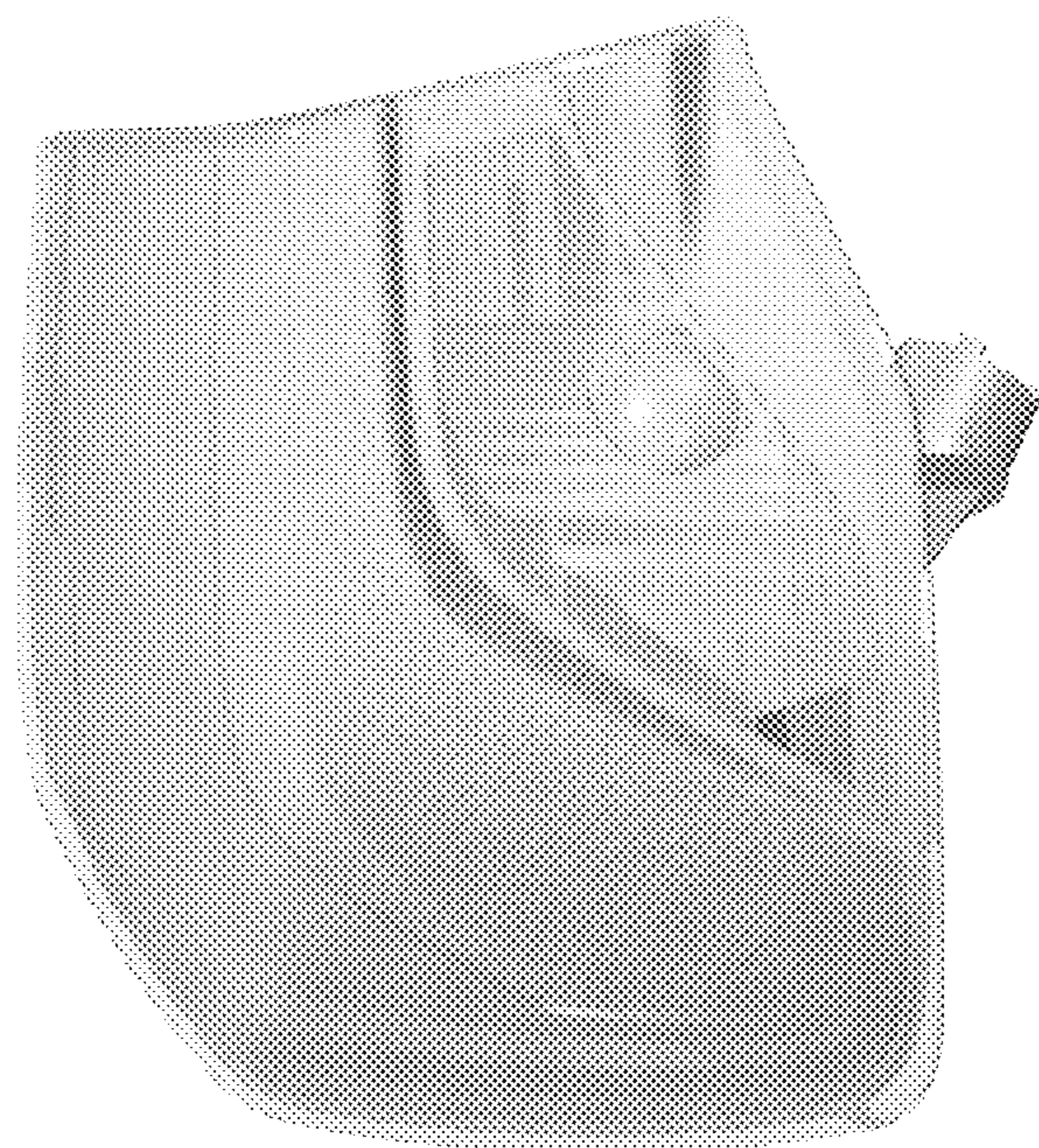


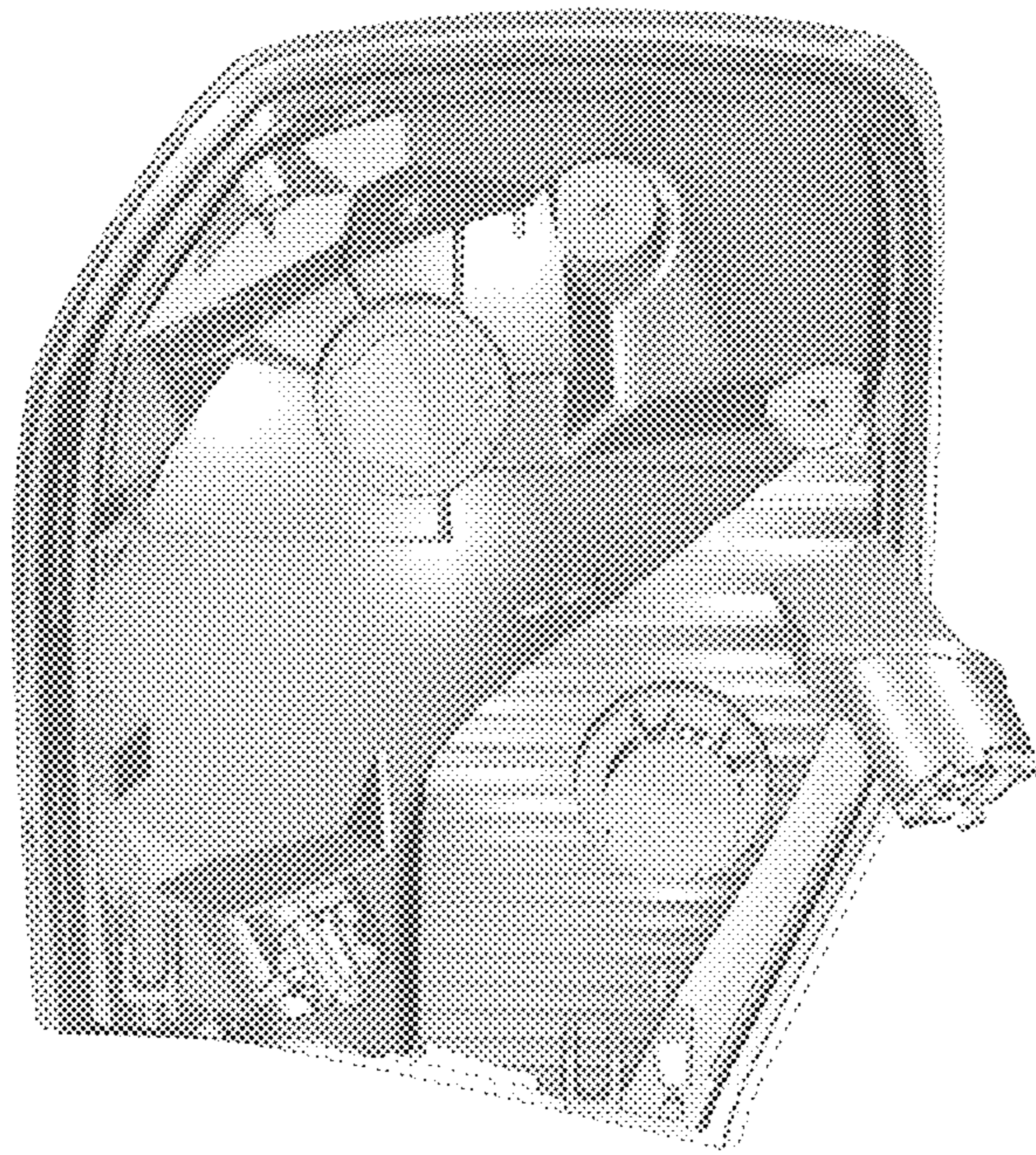
Fig. 8

Fig. 9





*Fig. 10*



*Fig. 11*



Fig. 12

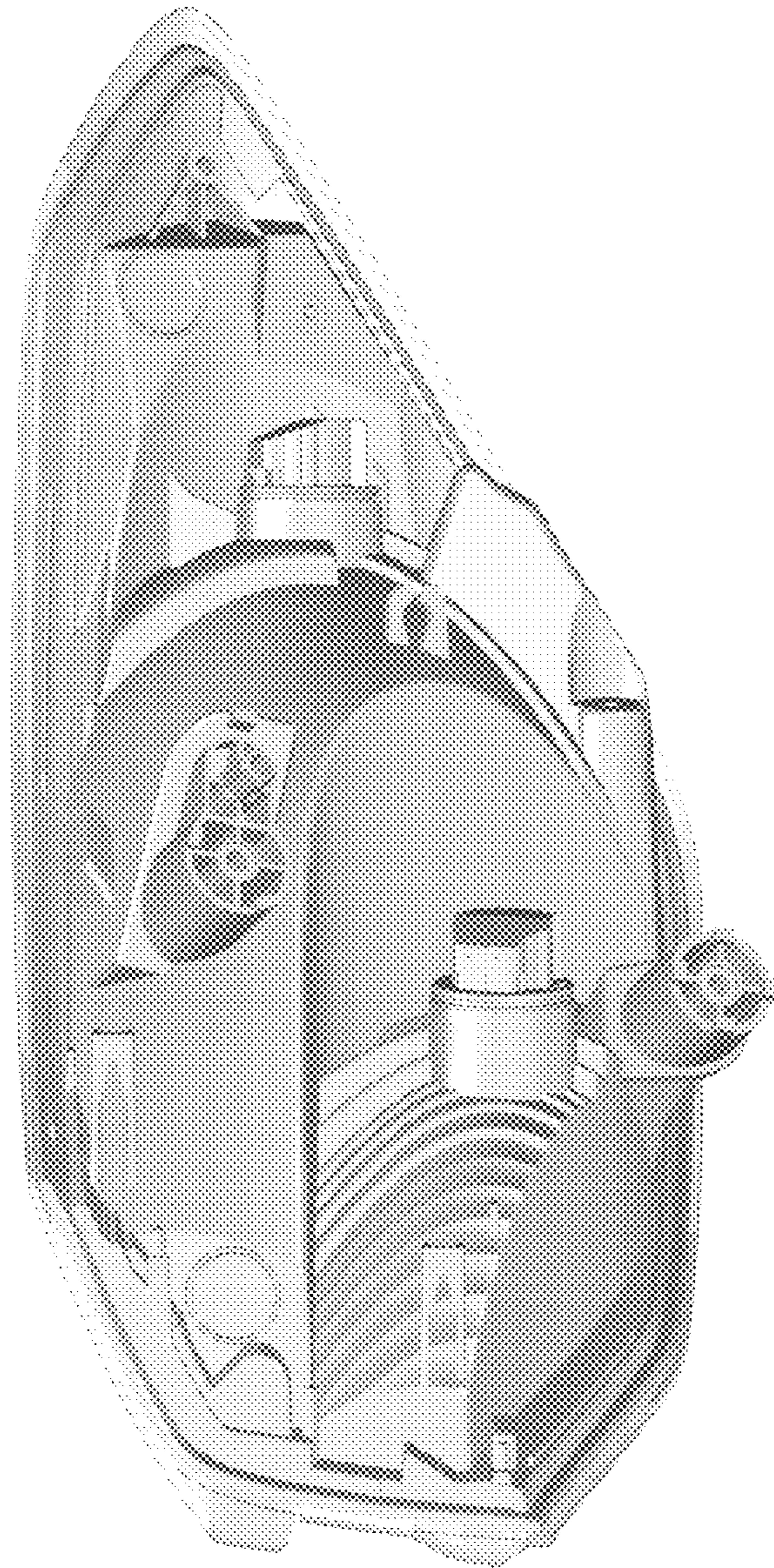


Fig. 13

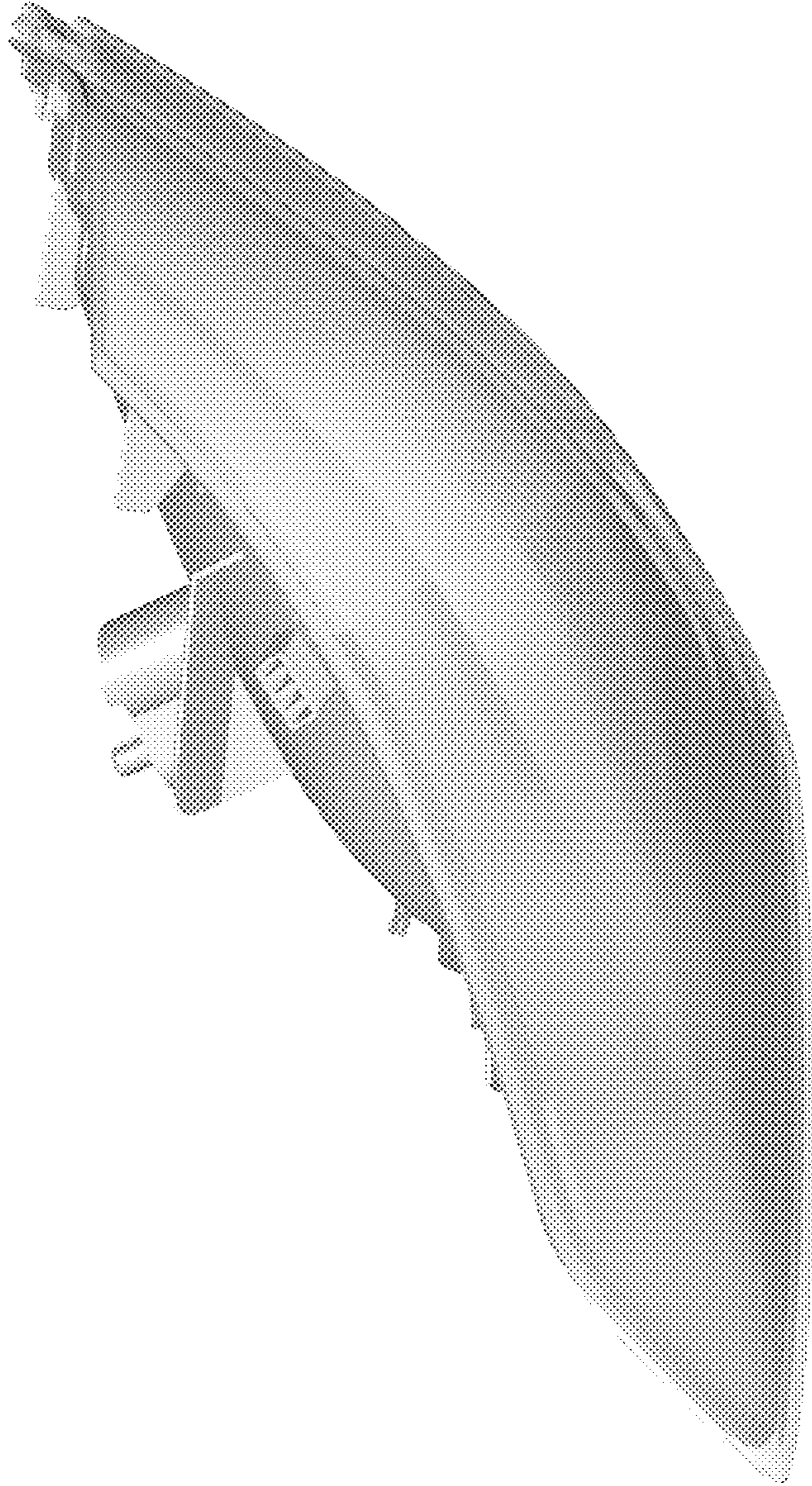


Fig. 14



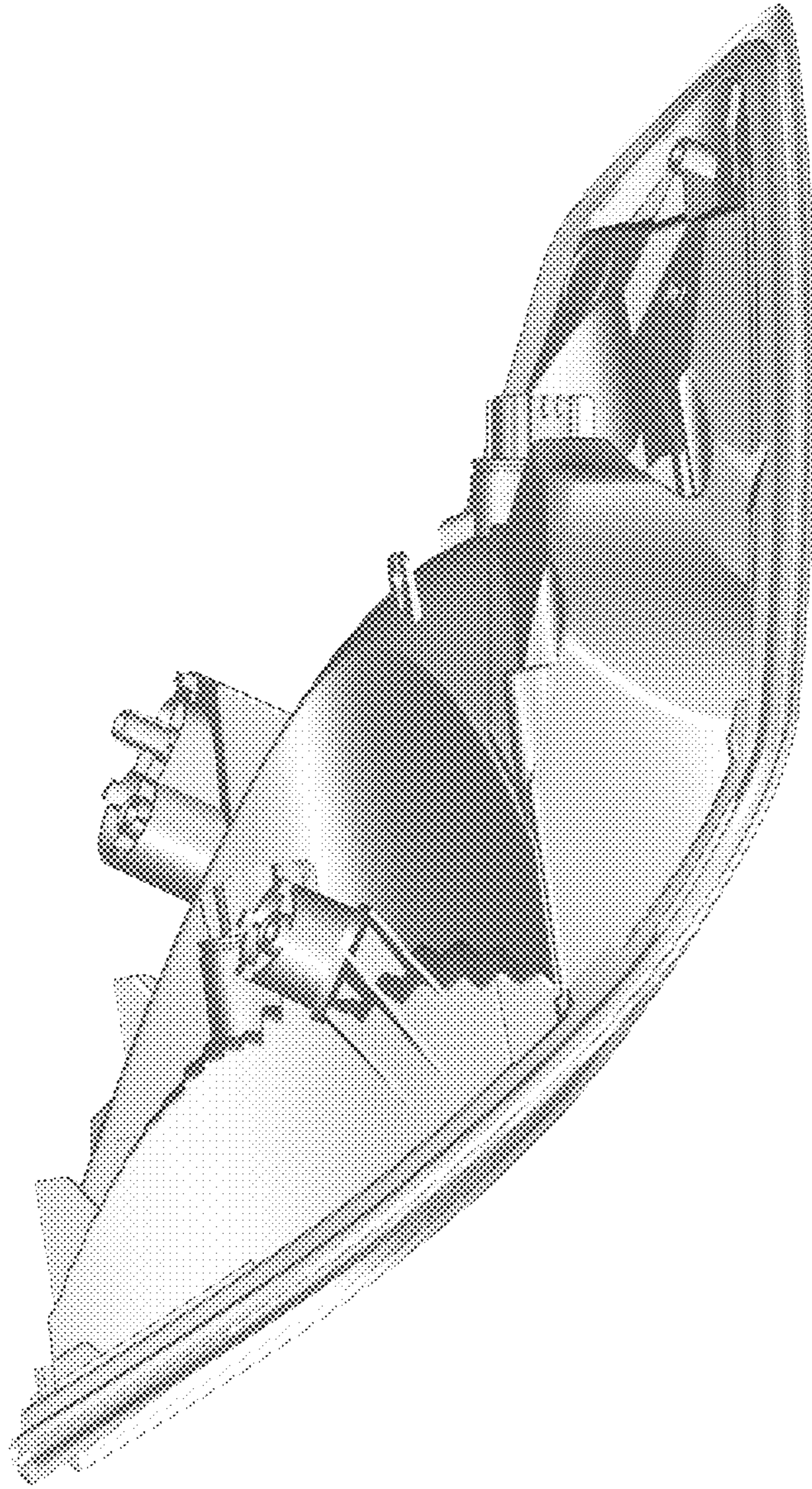
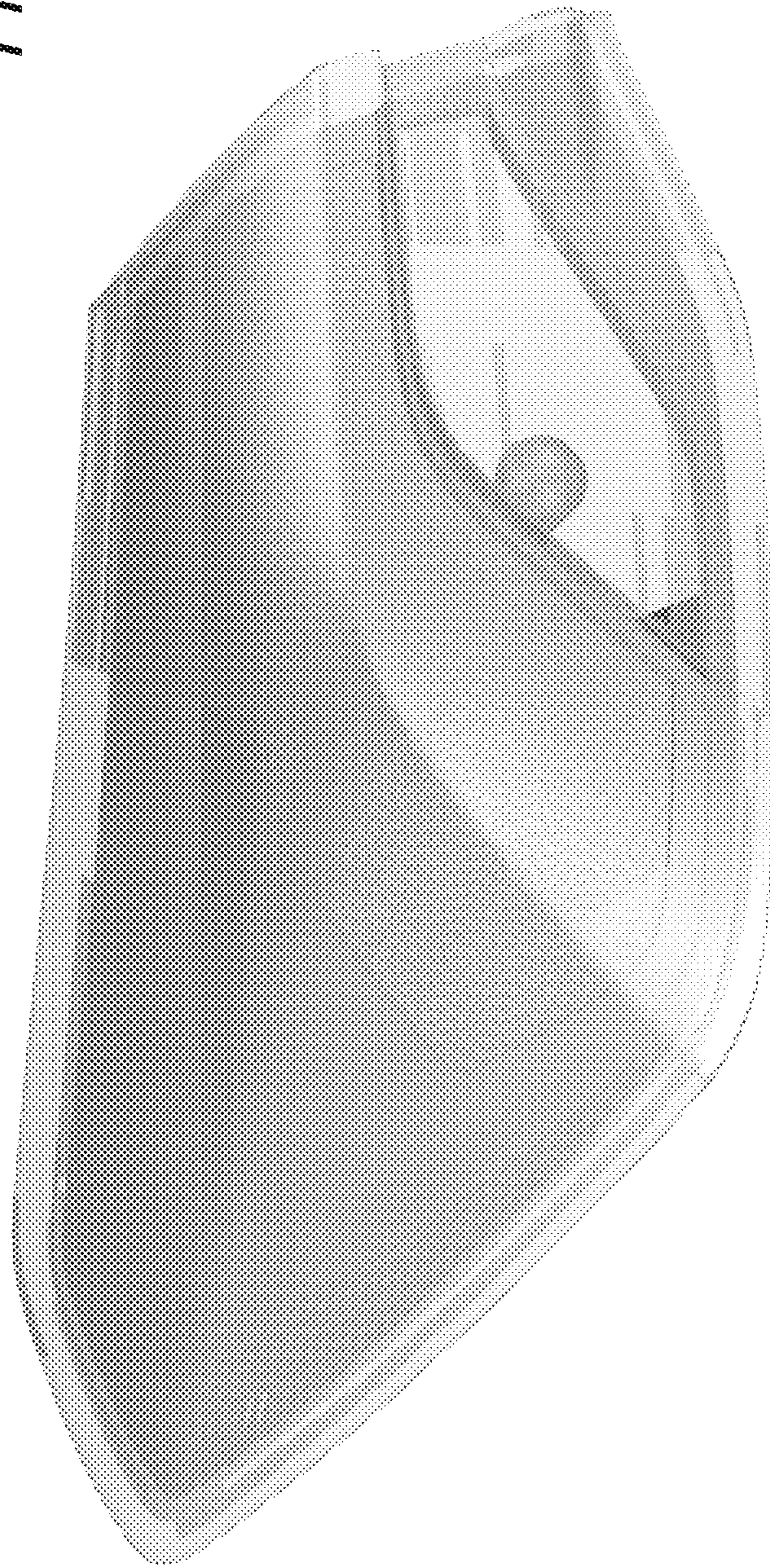


Fig. 15

Fig. 16



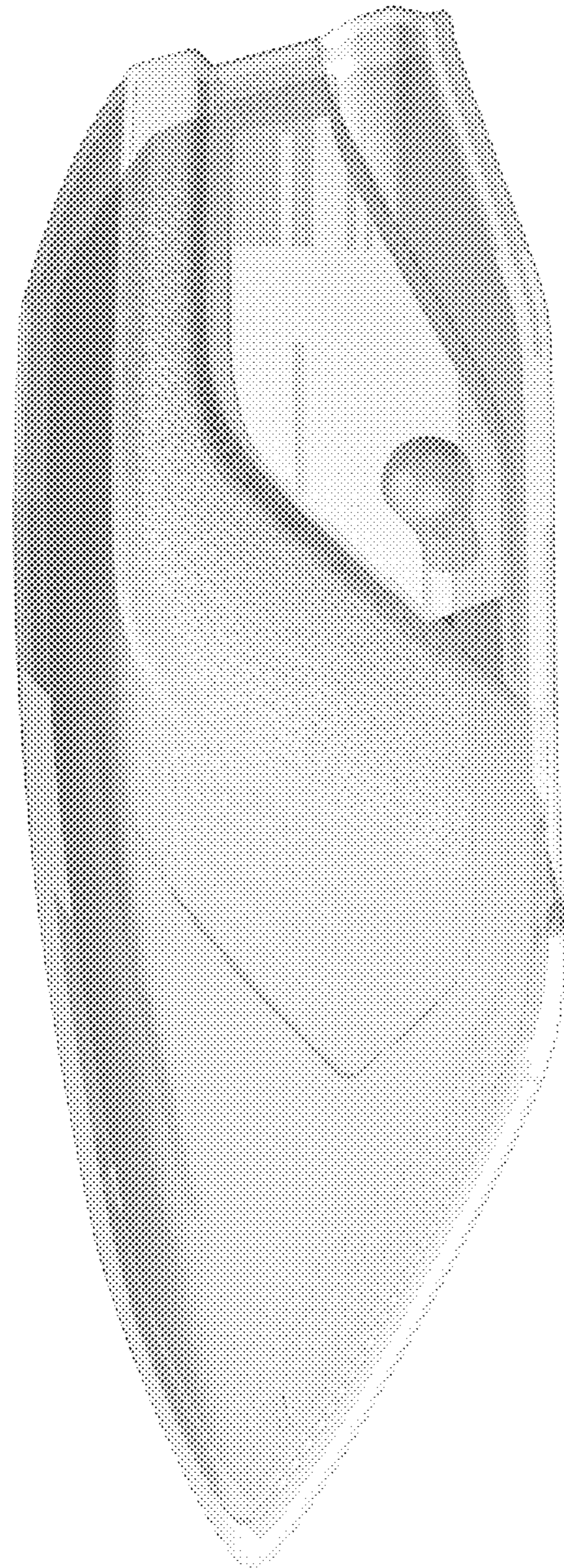
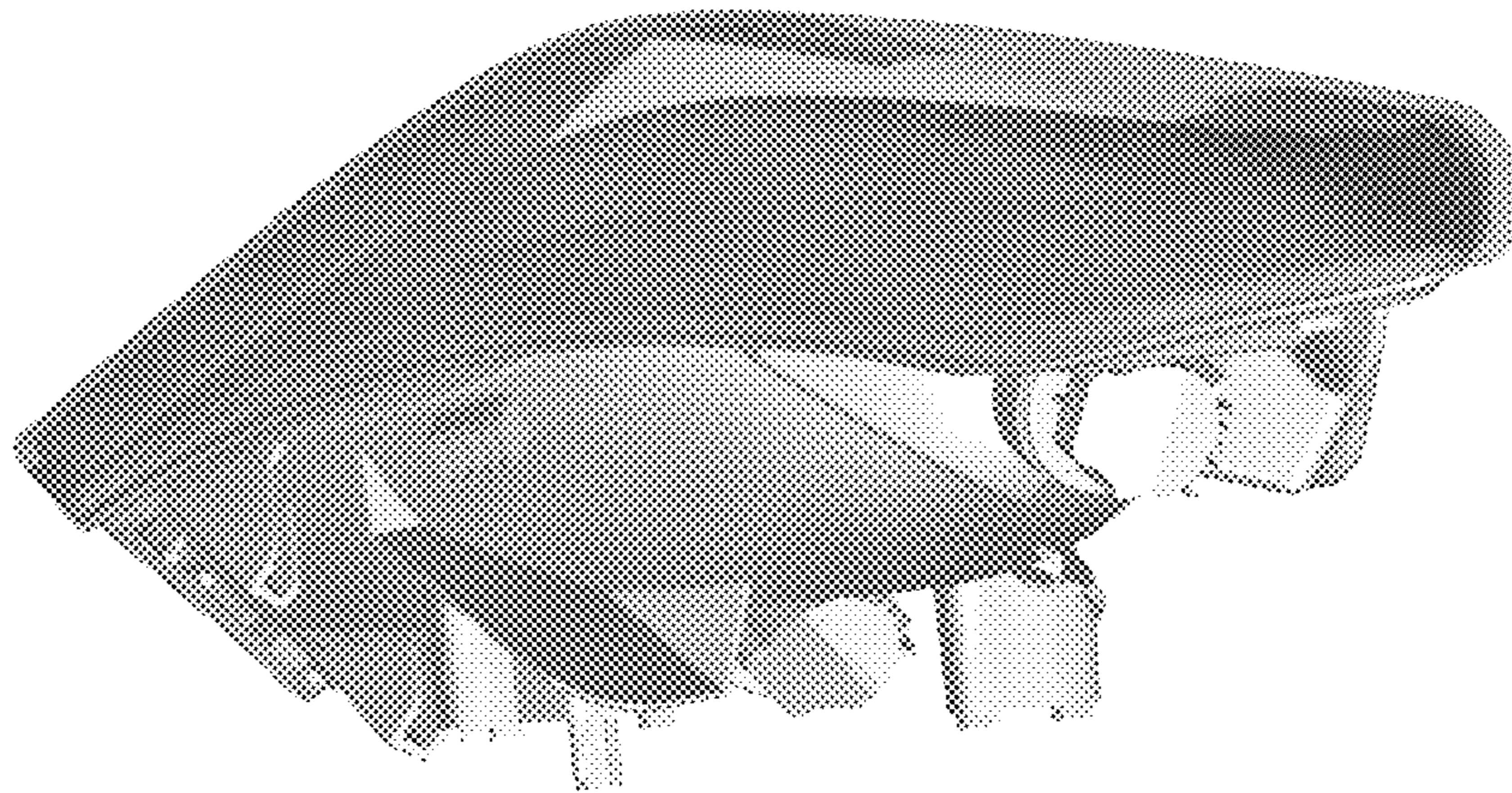
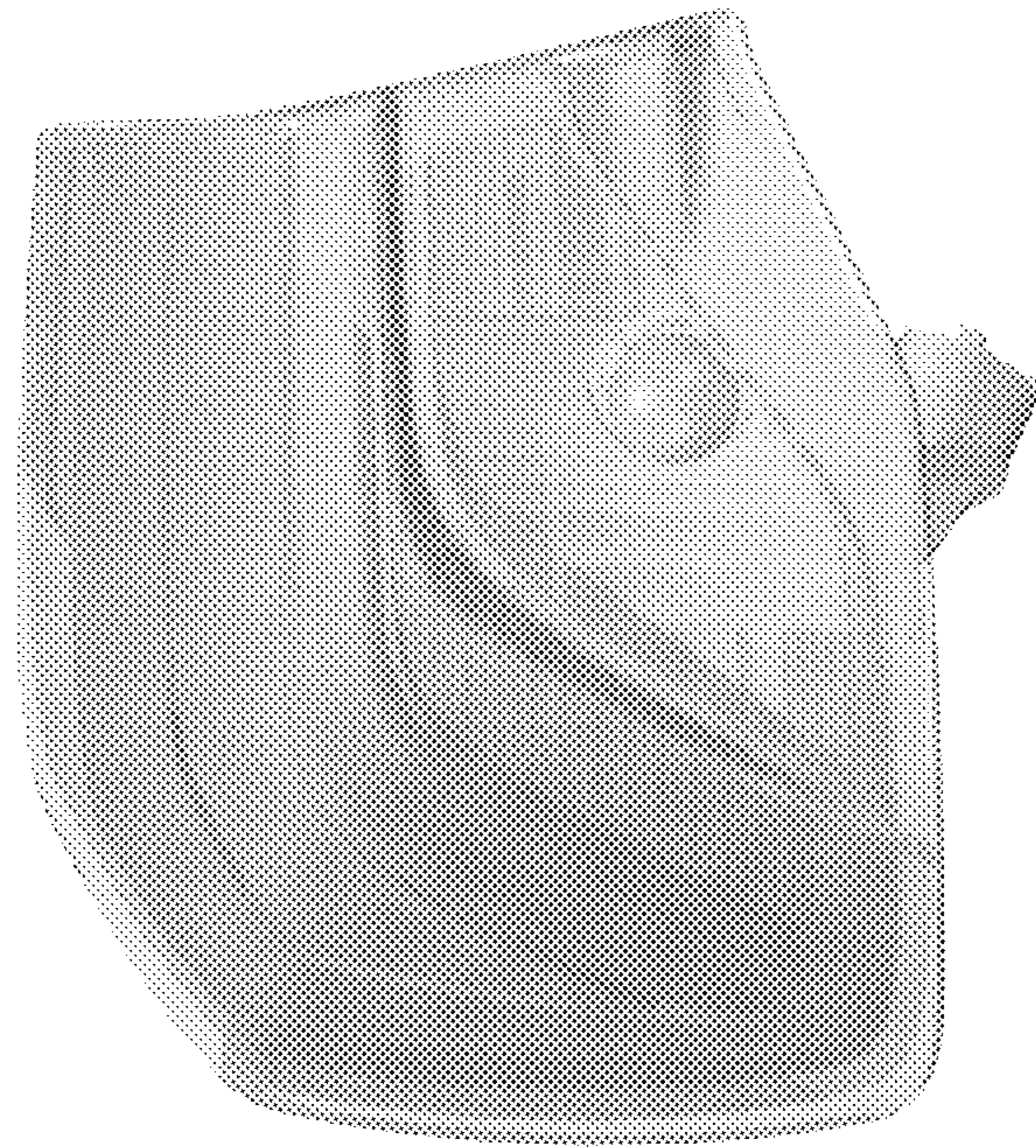


Fig. 17

Fig. 18





*Fig. 19*

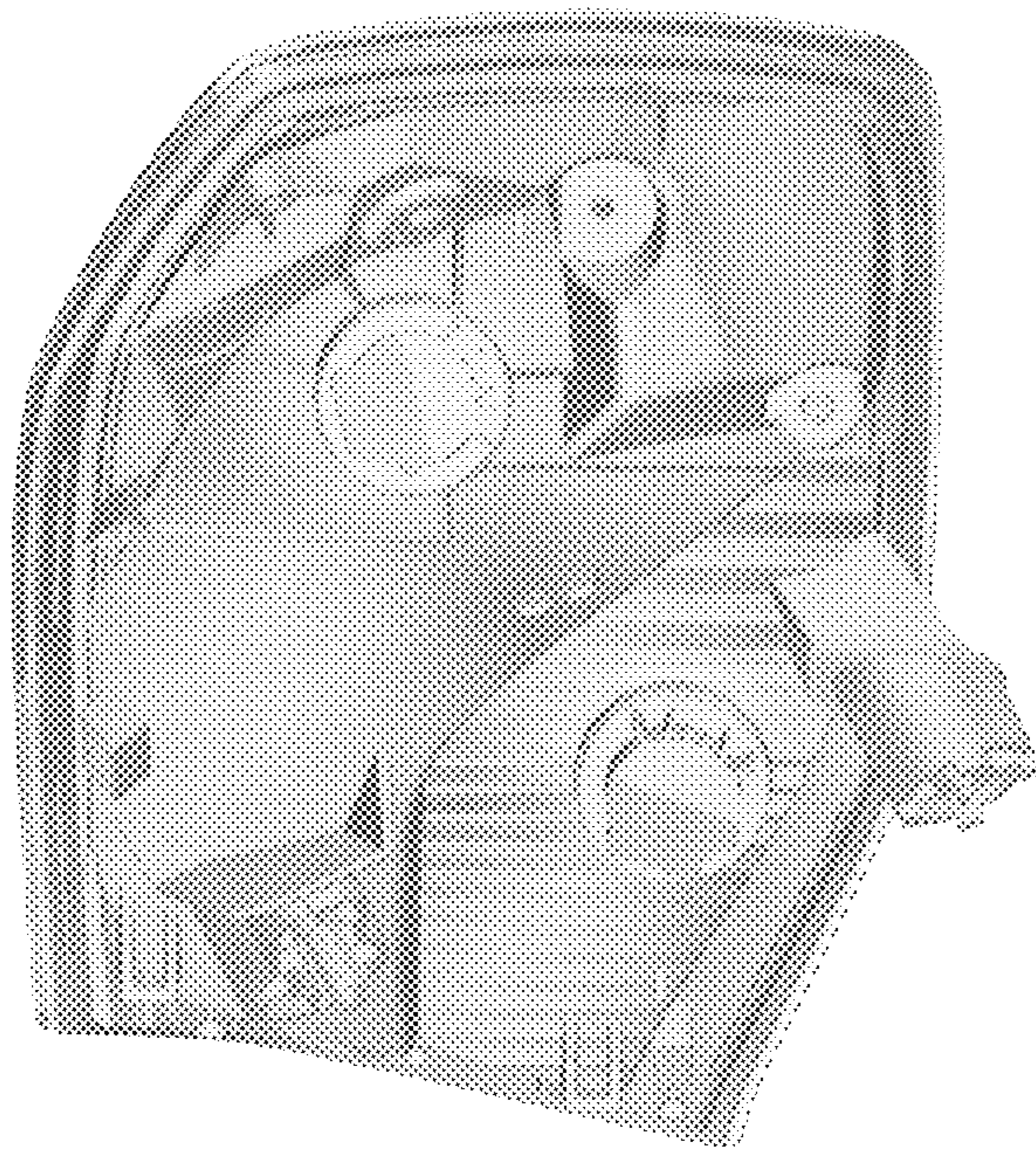


Fig. 20

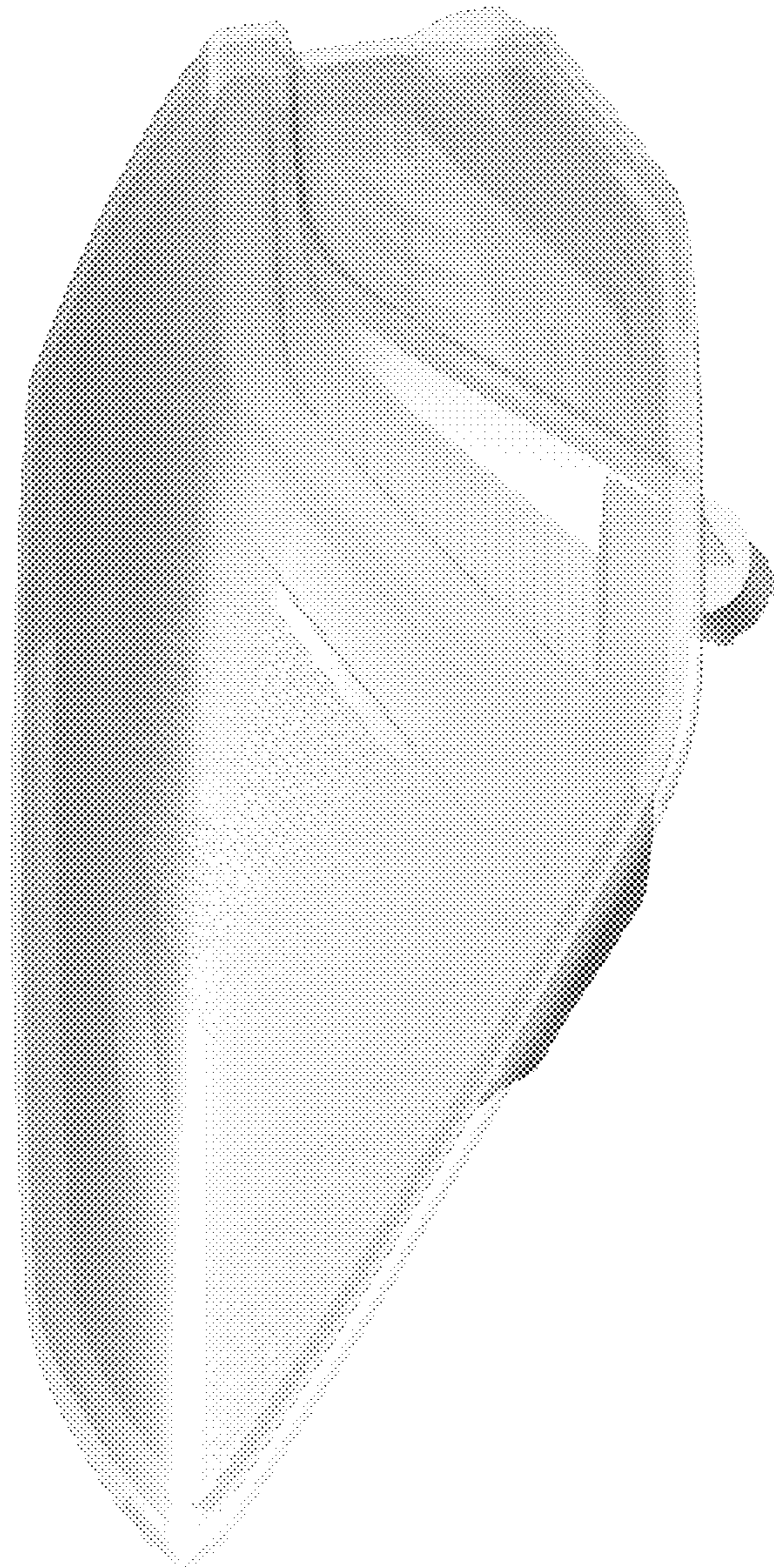


Fig. 21

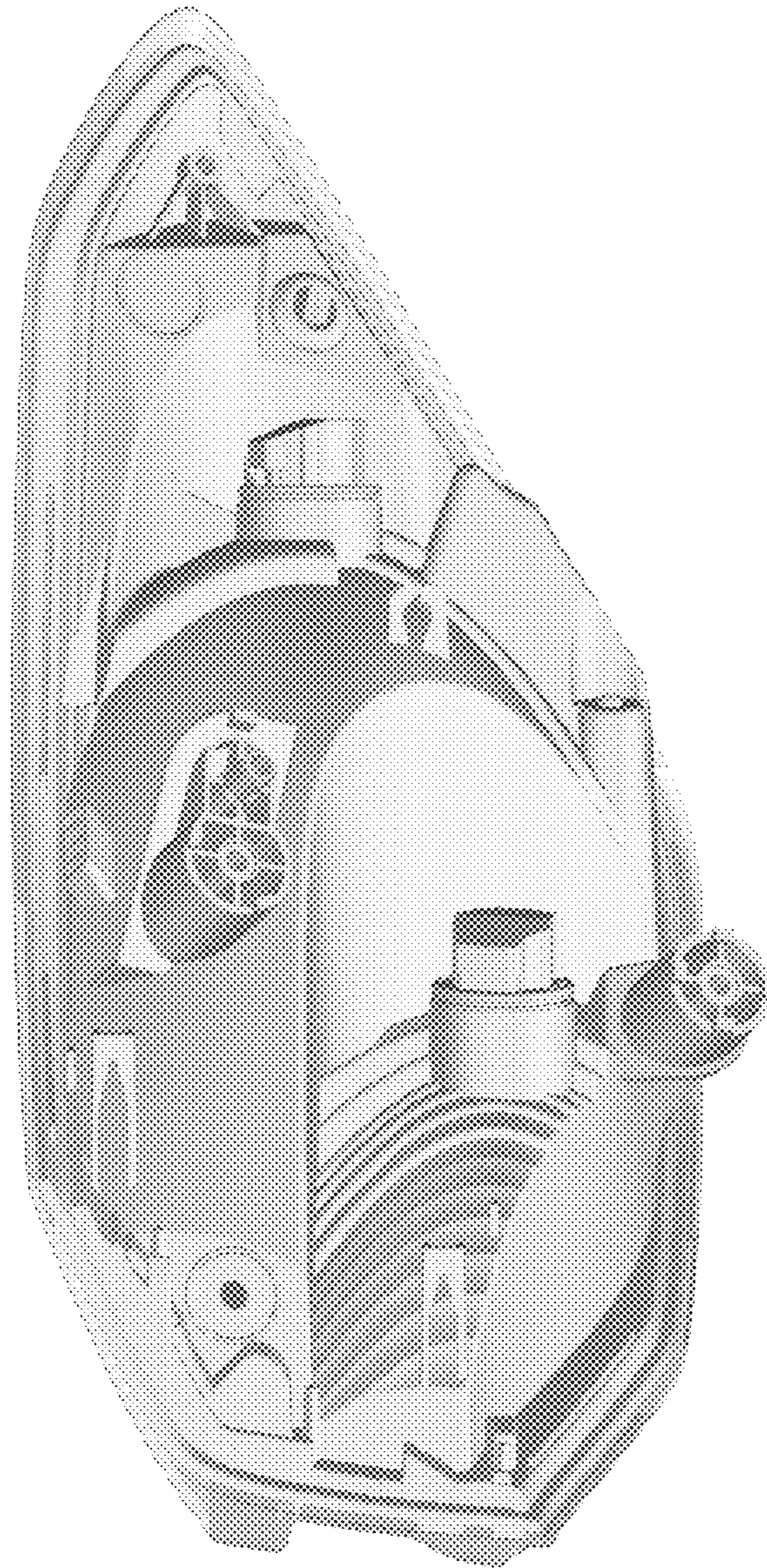


Fig. 22



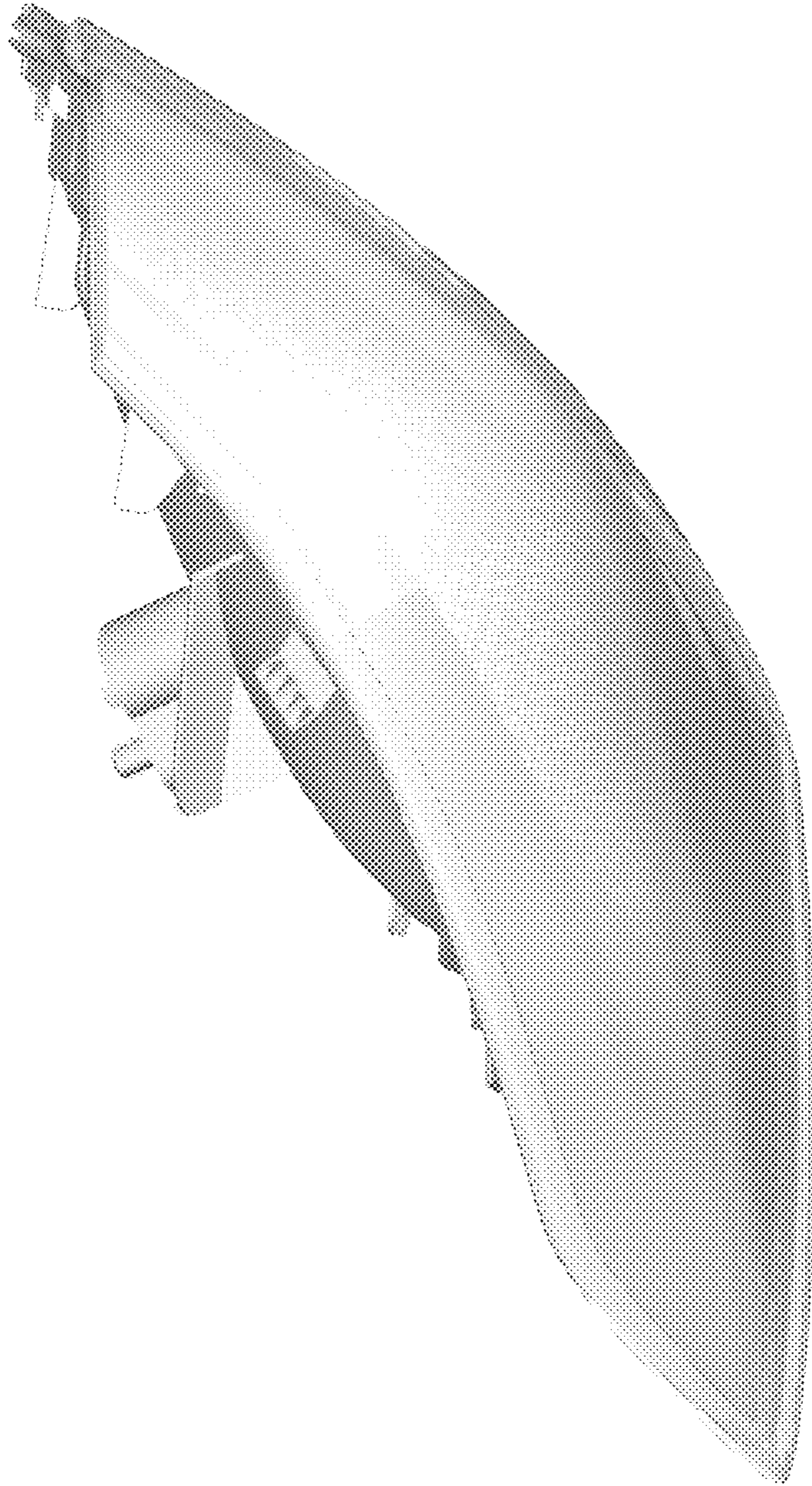


Fig. 23

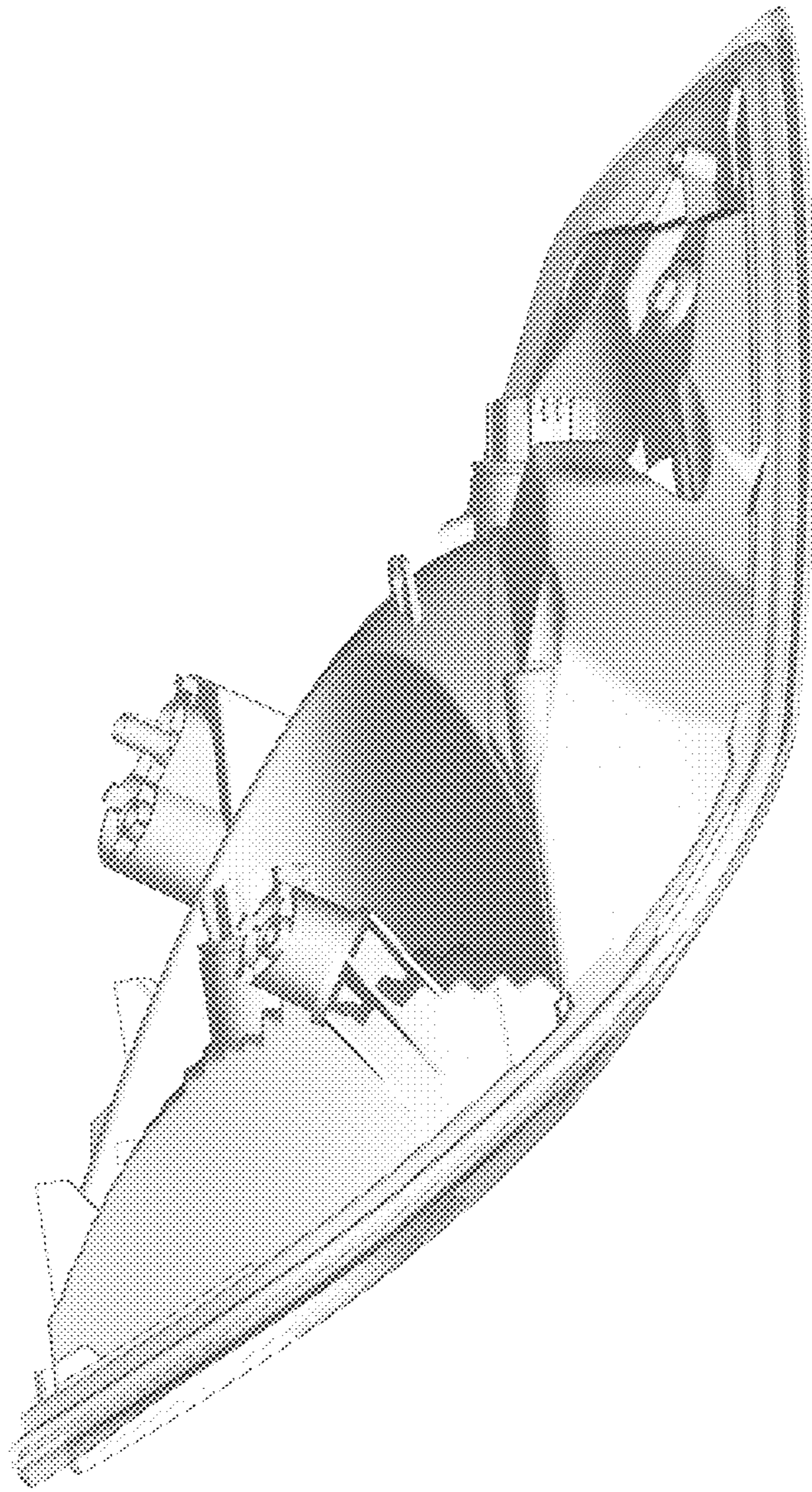
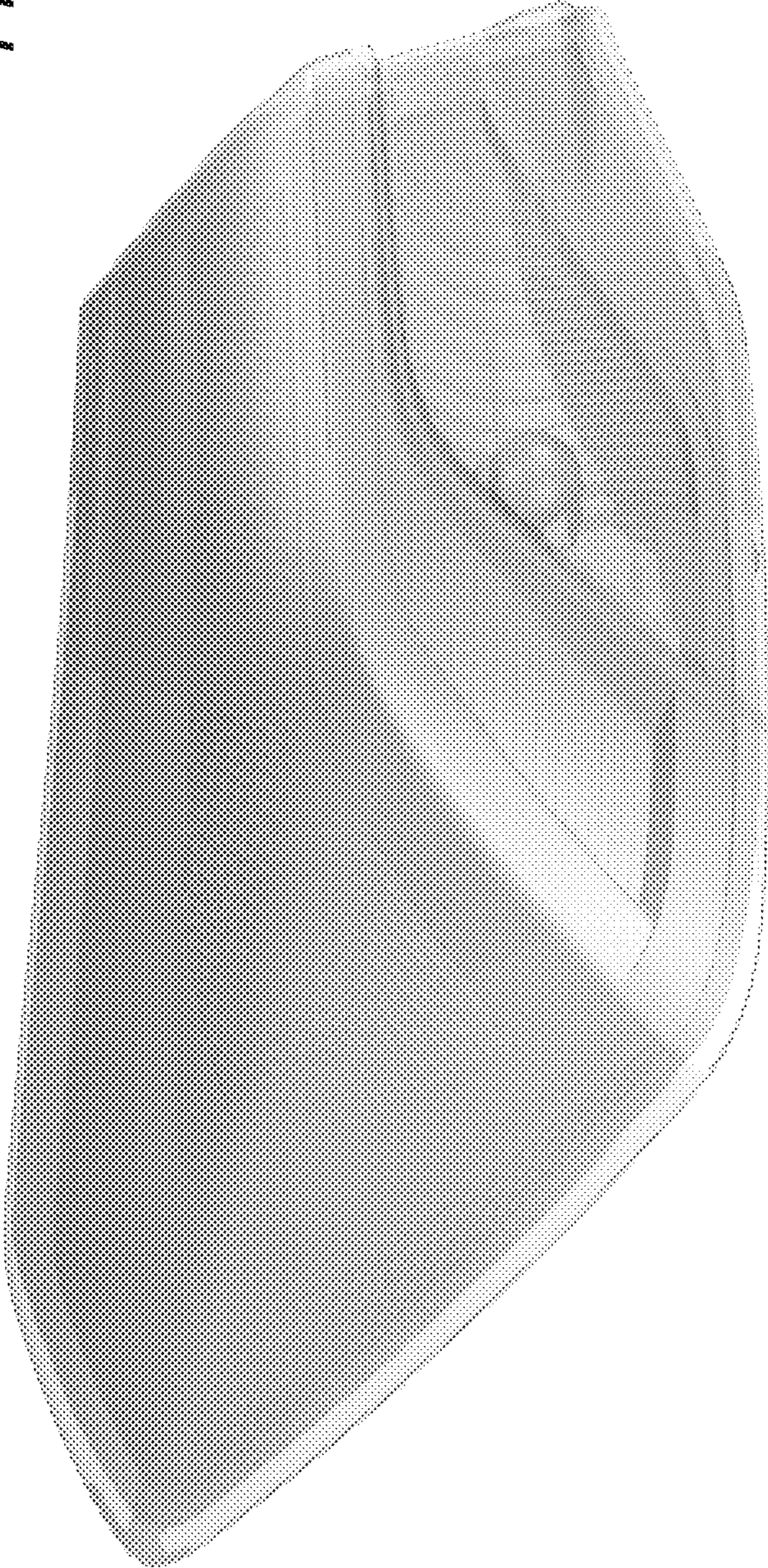


Fig. 24

Fig. 25



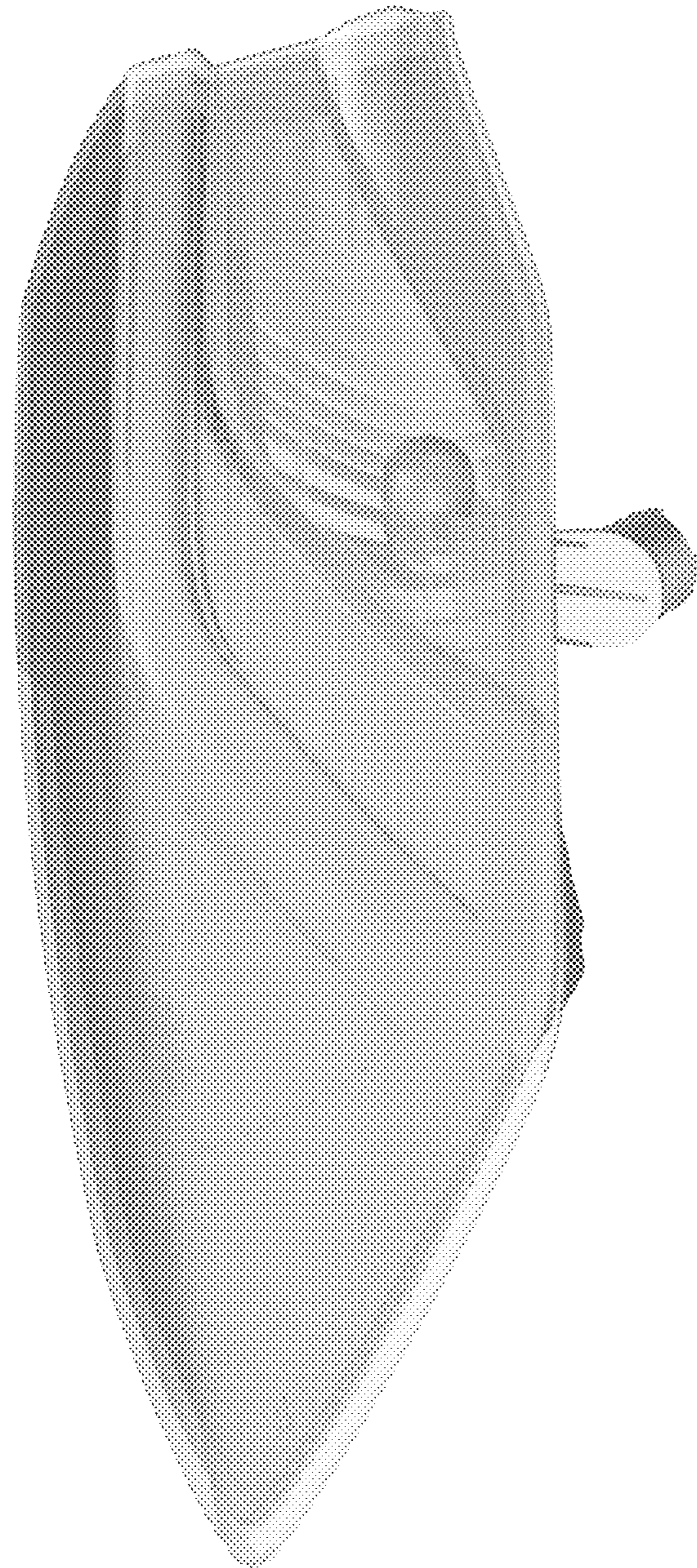
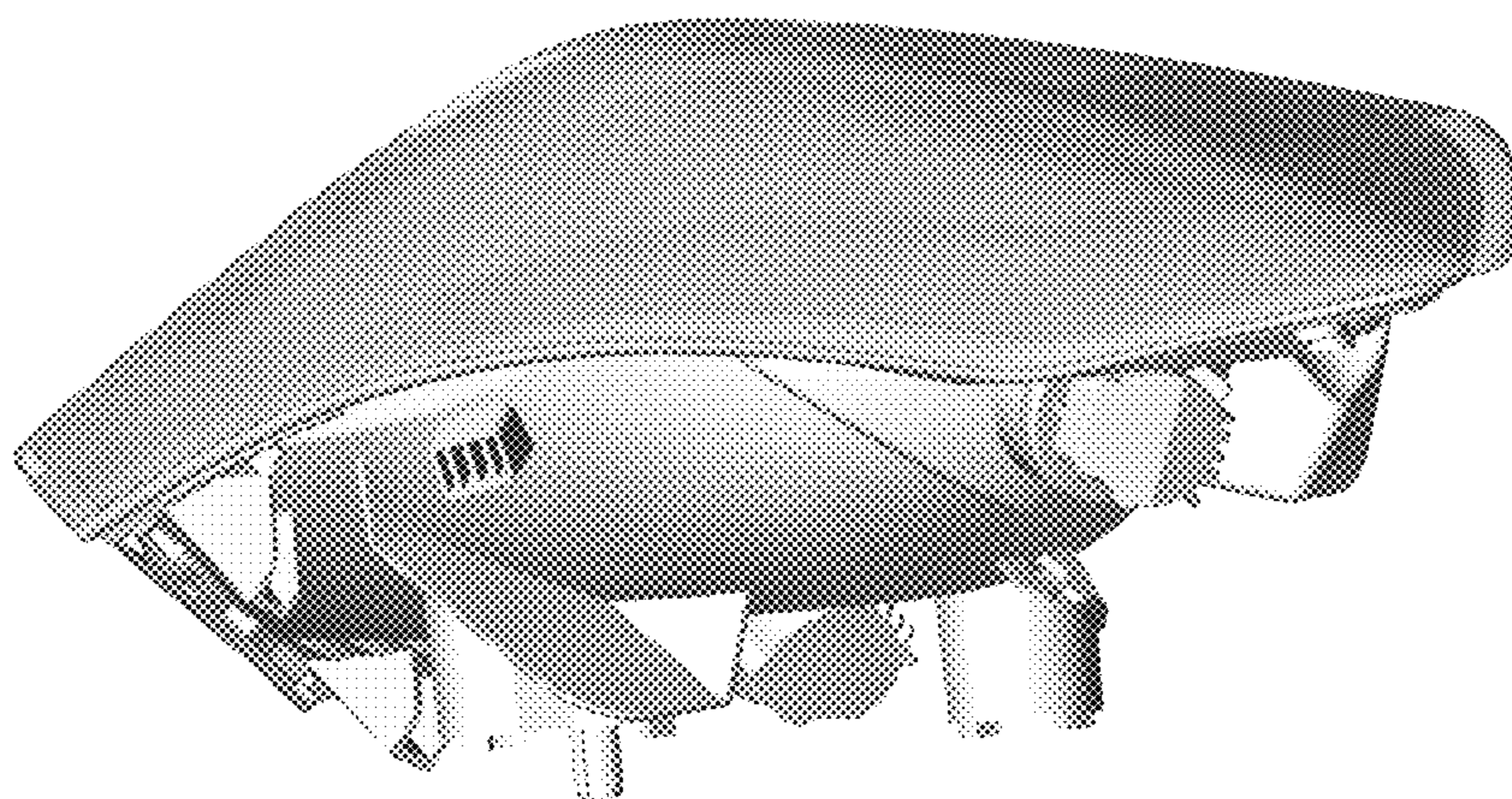


Fig. 26

Fig. 27



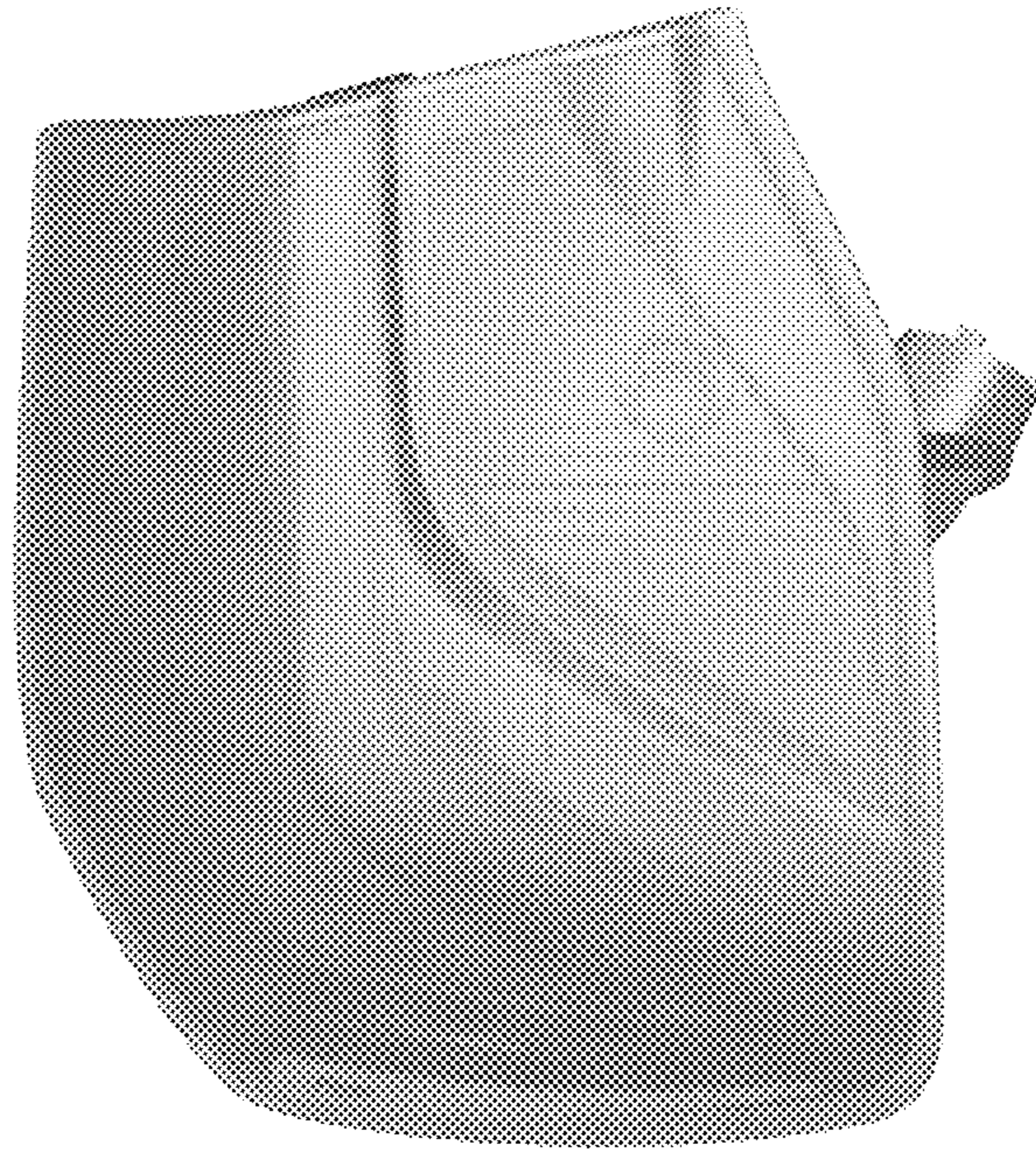


Fig. 28

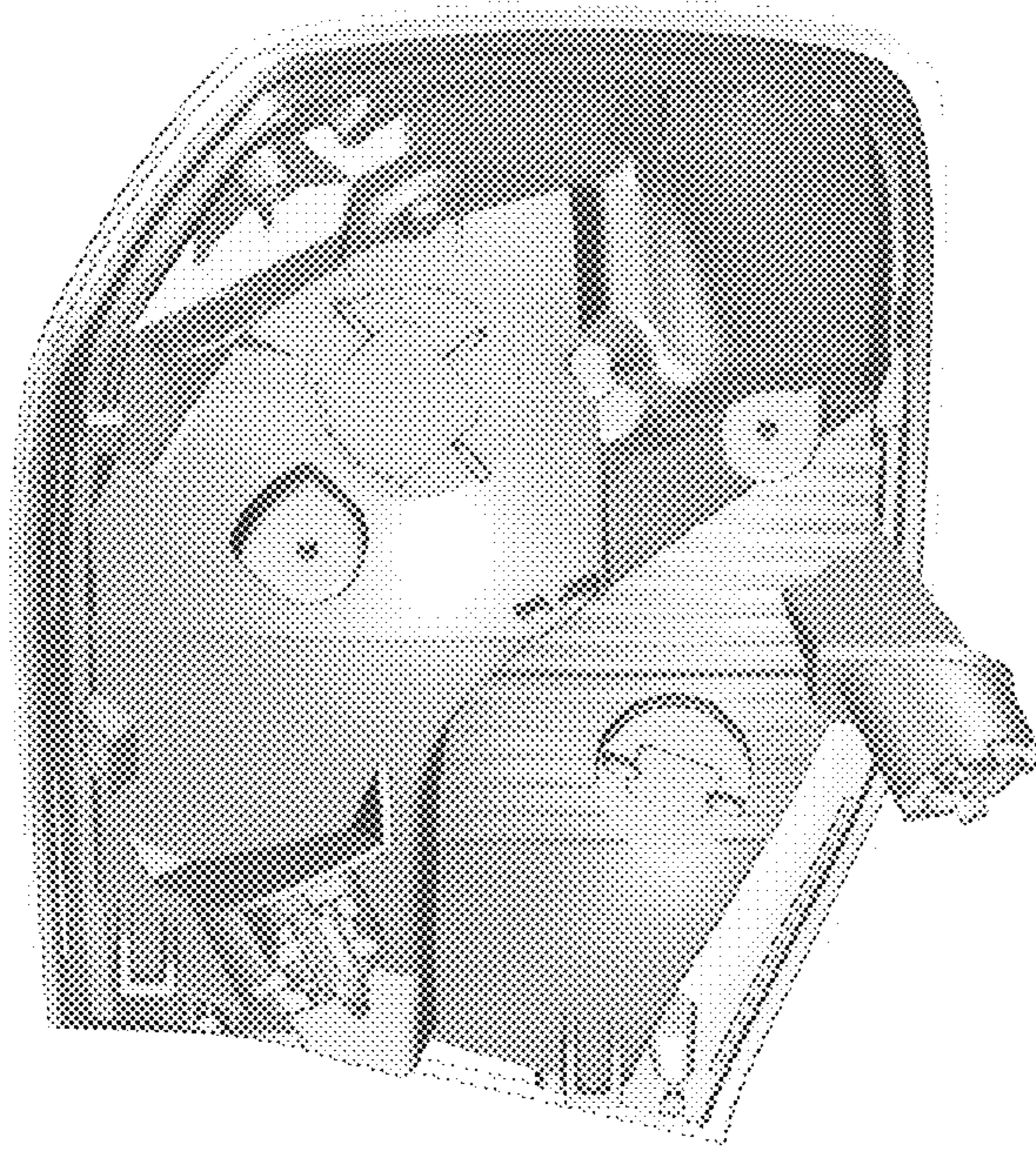


Fig. 29

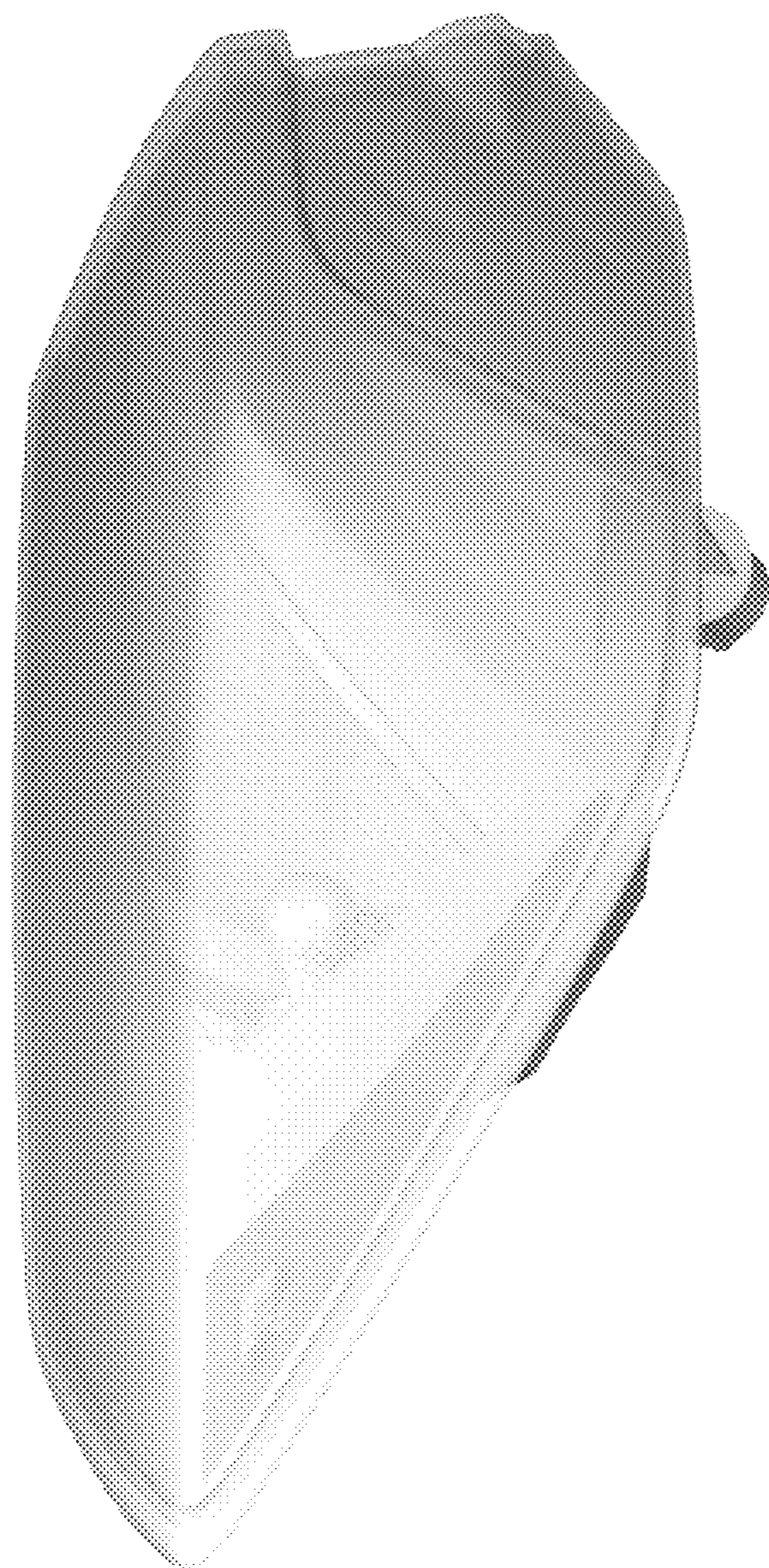


Fig. 30



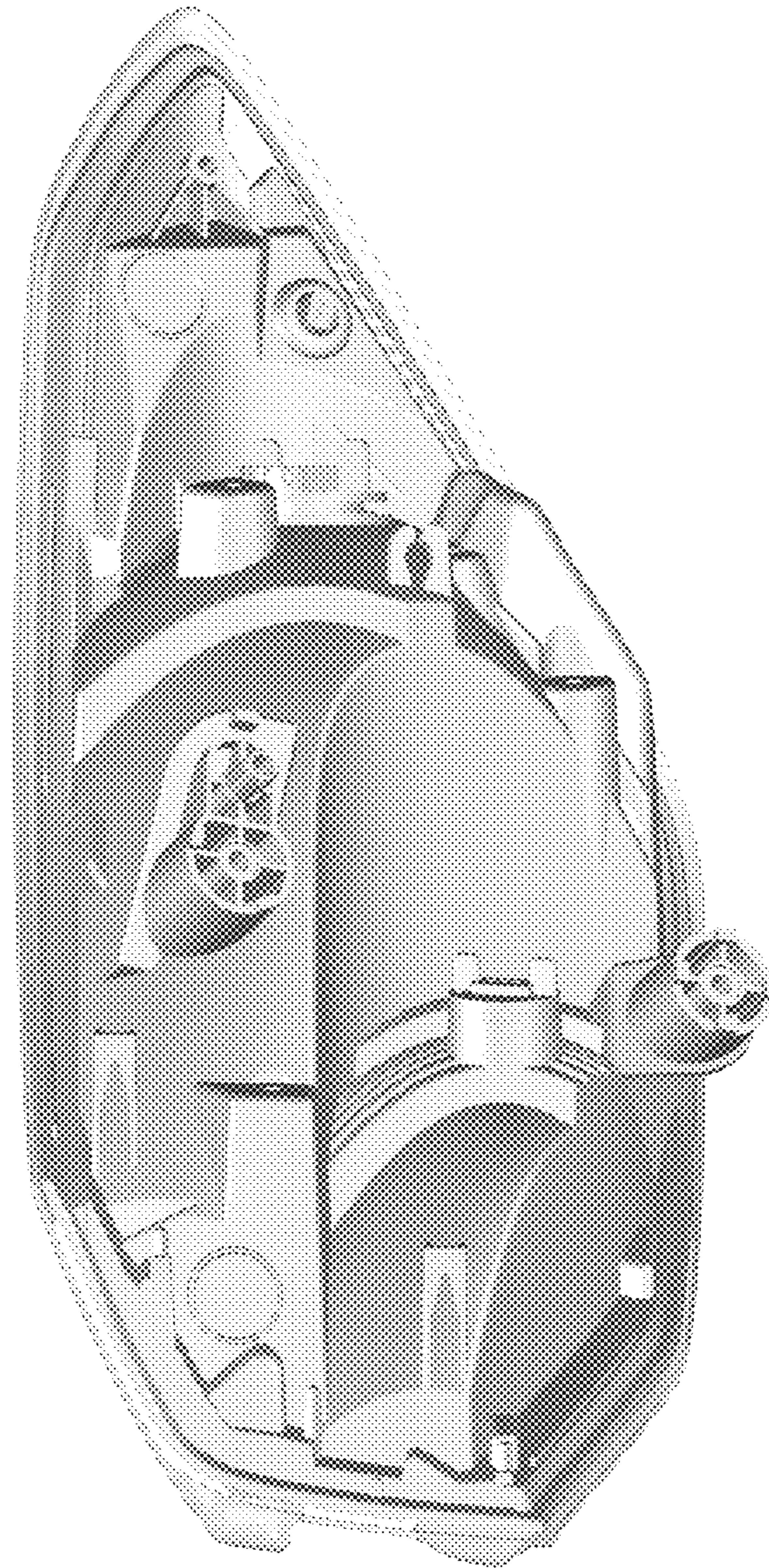


Fig. 31

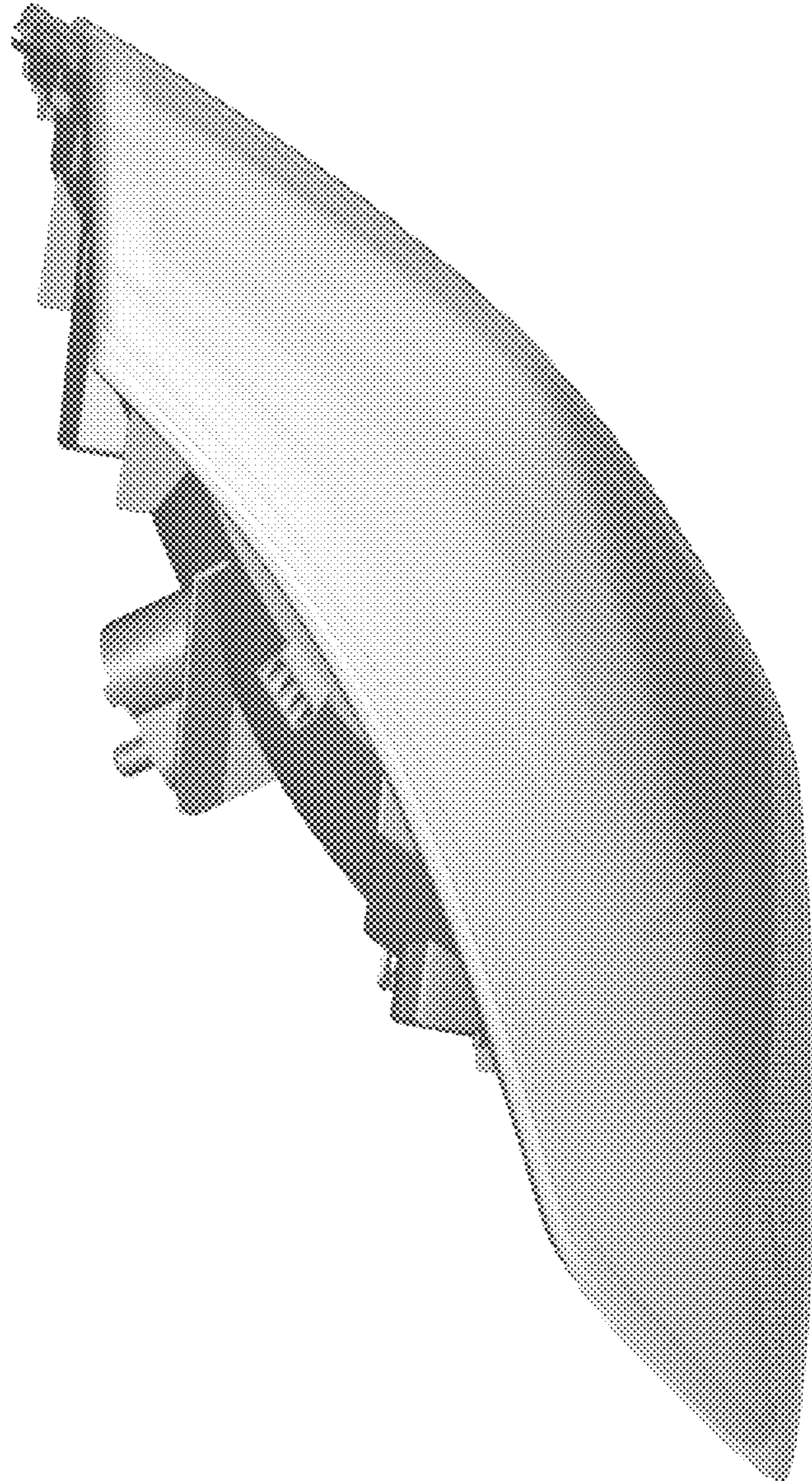


Fig. 32

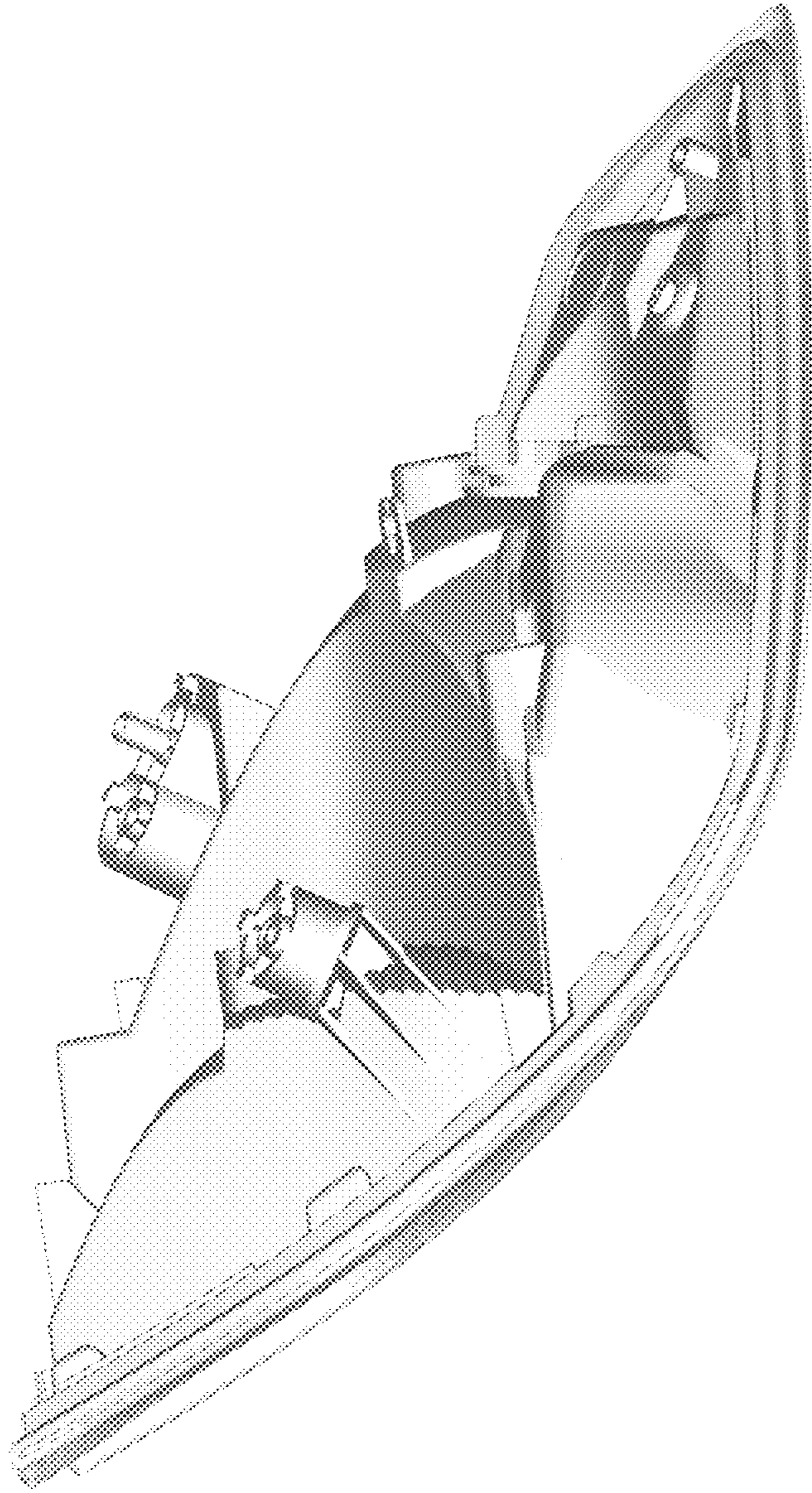


Fig. 33

Fig. 34



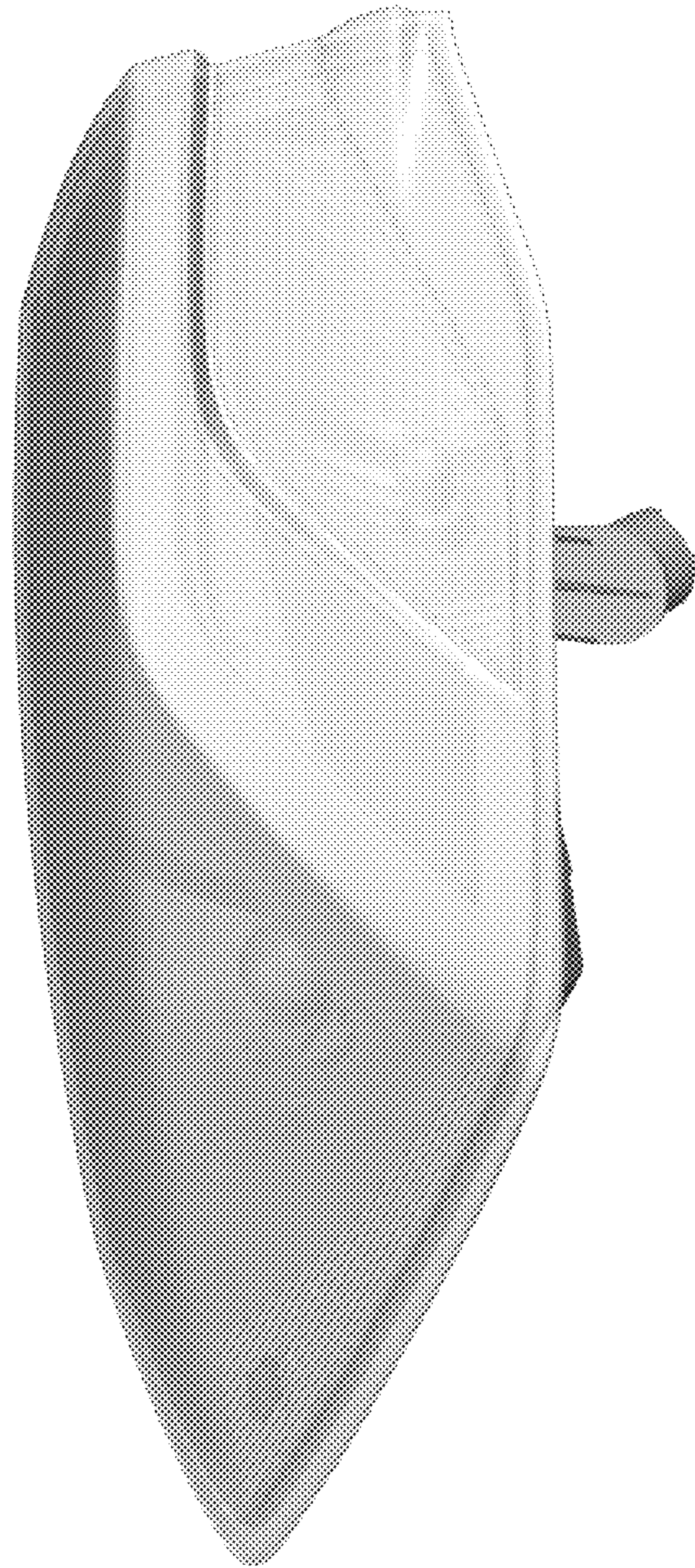
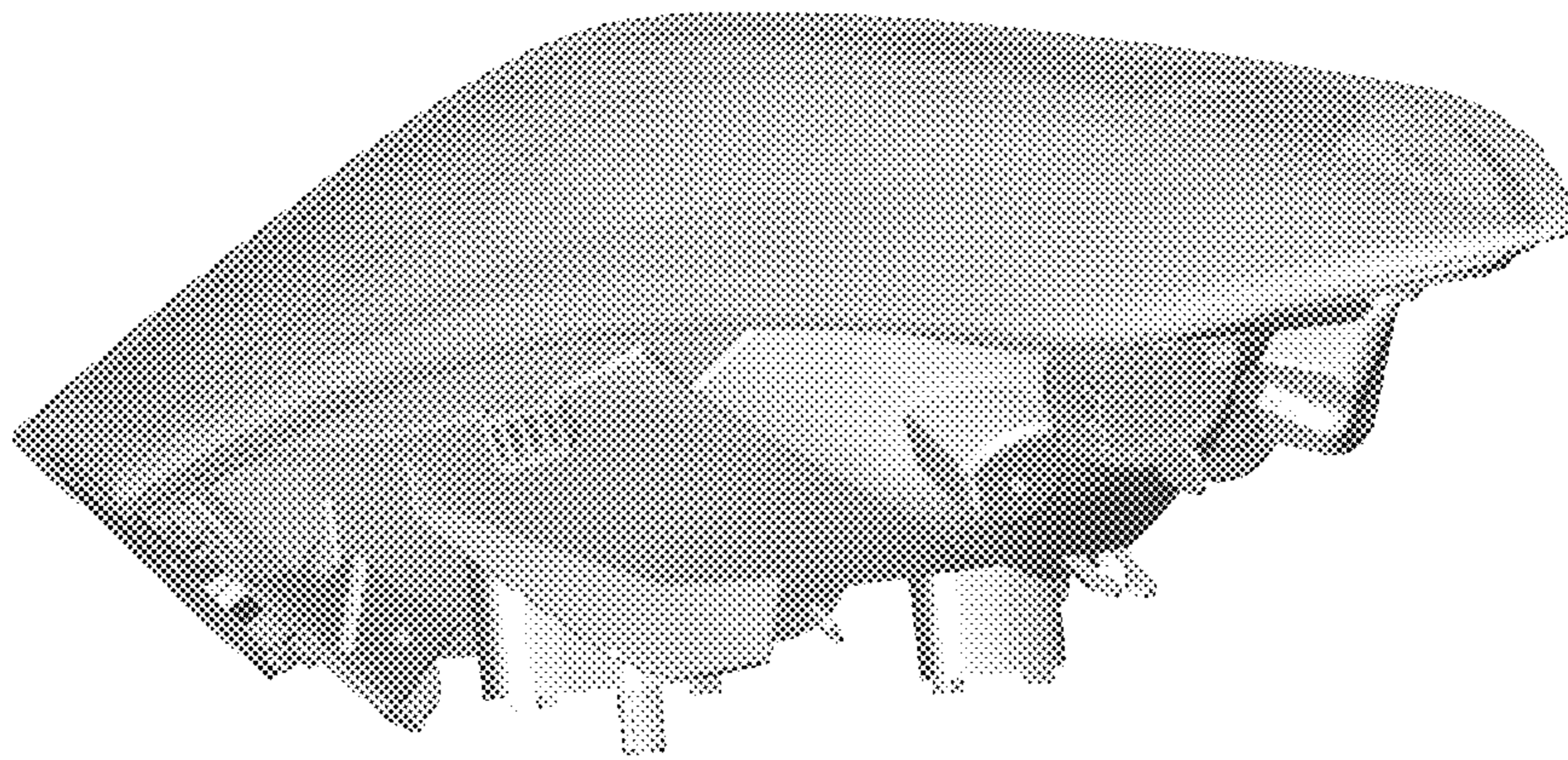


Fig. 35

Fig. 36



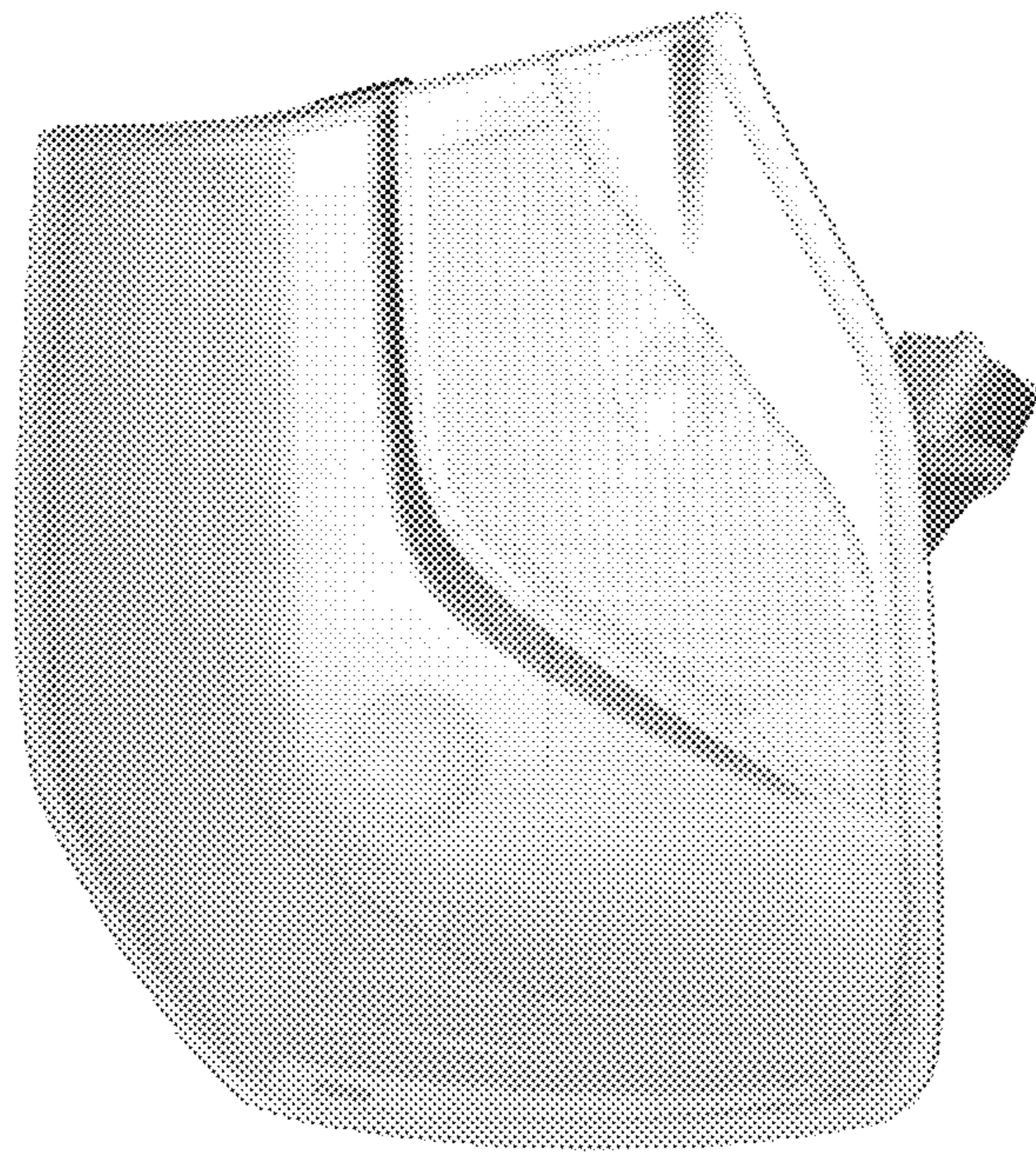


Fig. 37

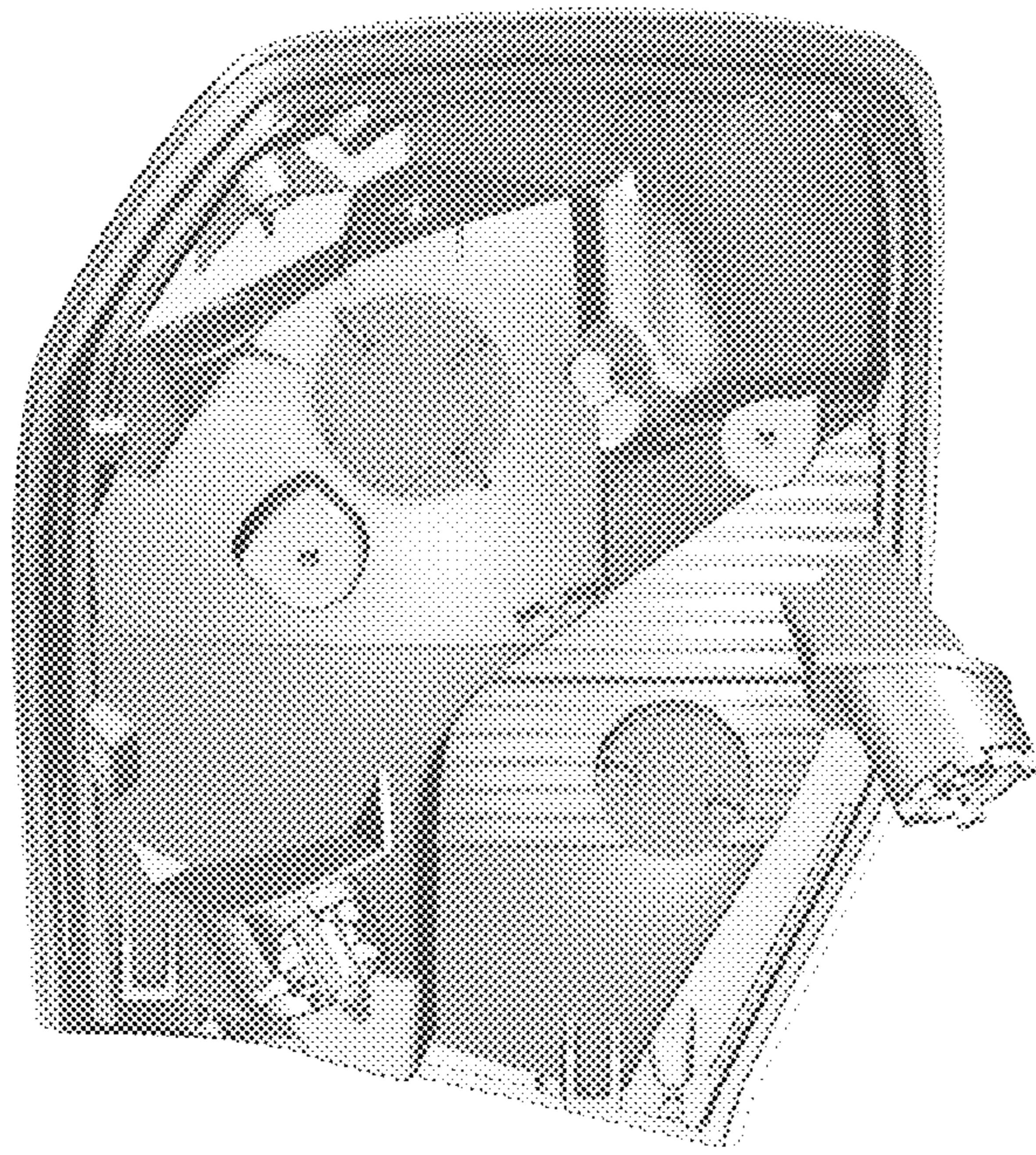


Fig. 38





Fig. 39

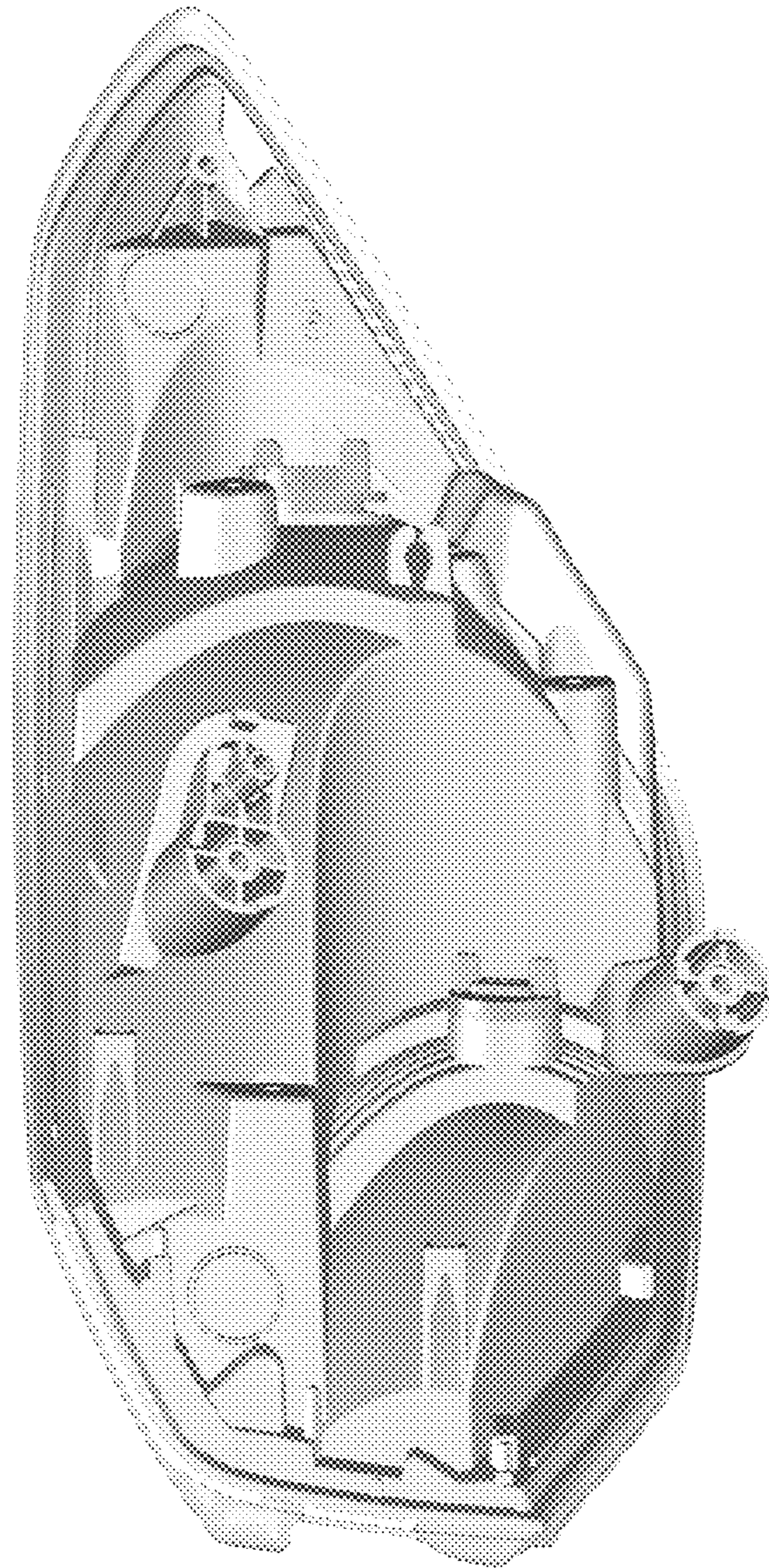


Fig. 40

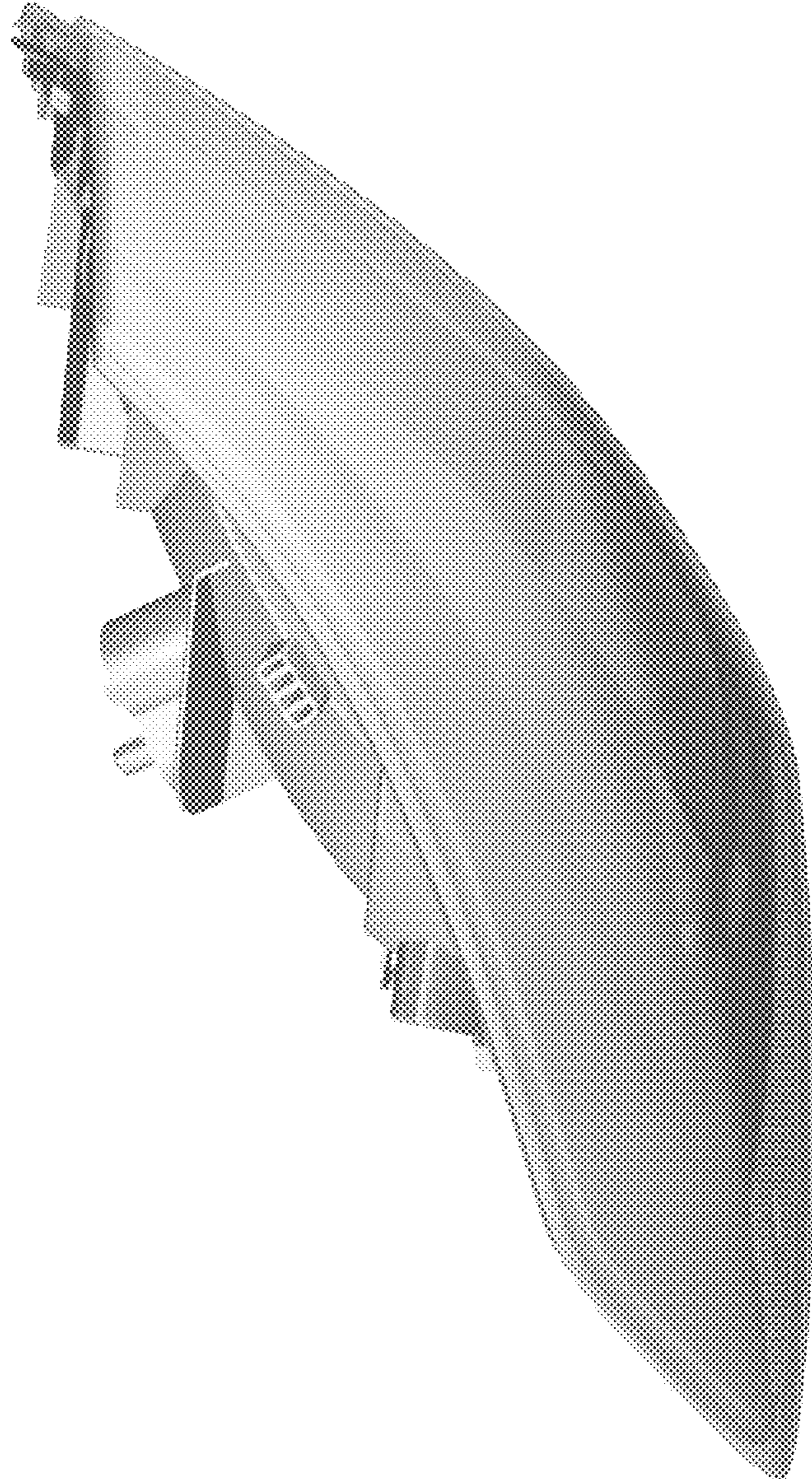


Fig. 41

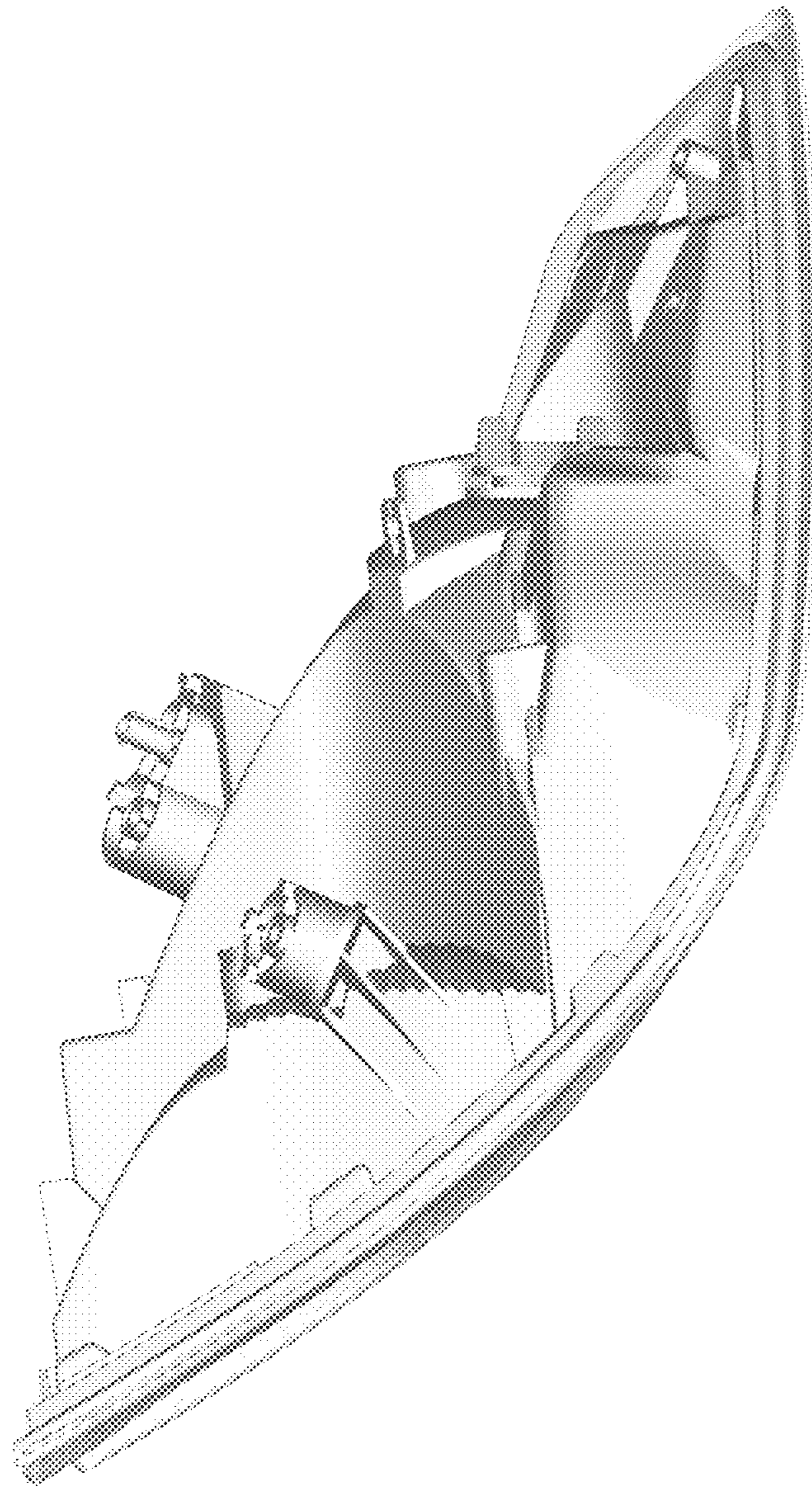
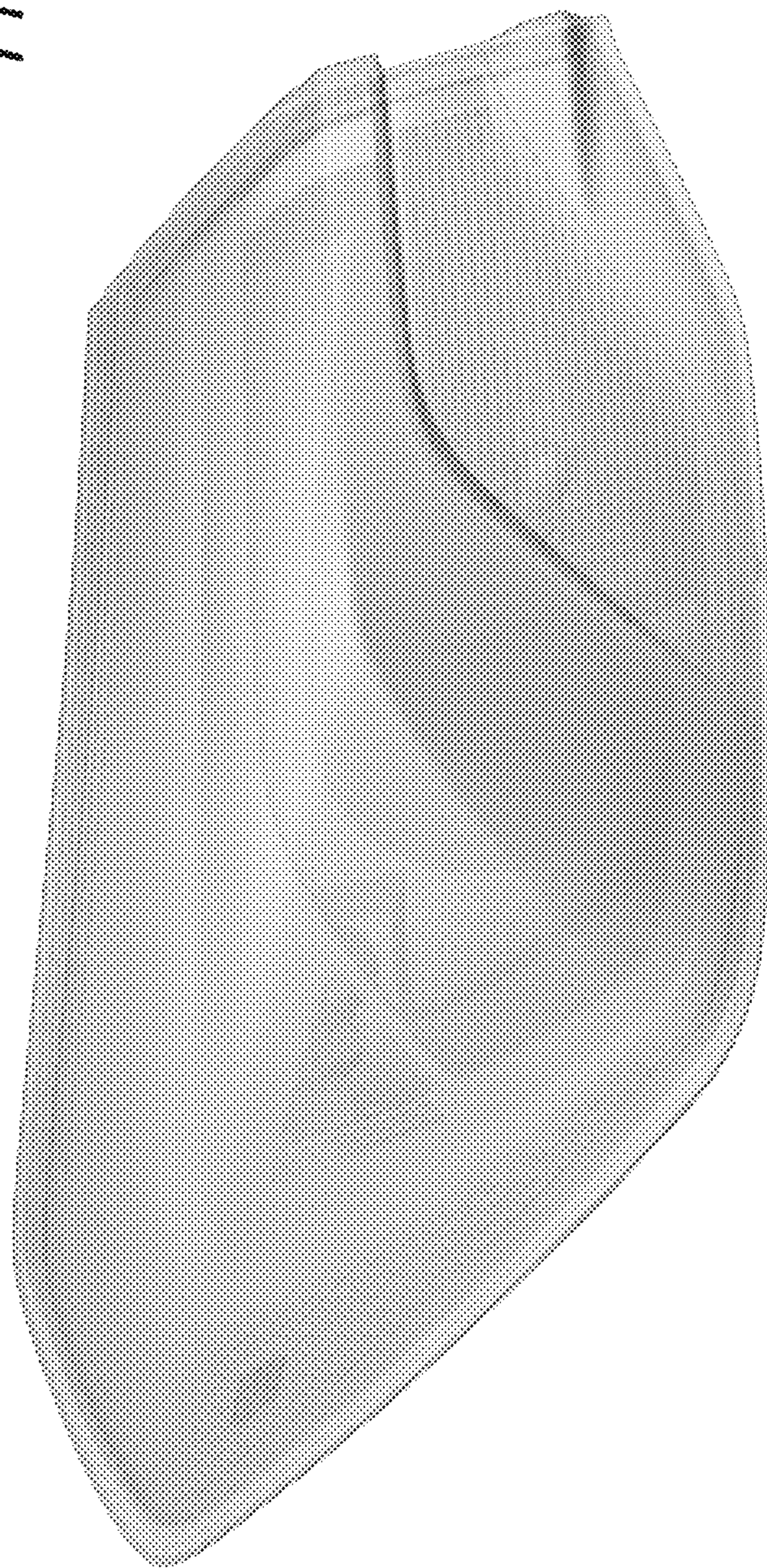


Fig. 42

Fig. 43



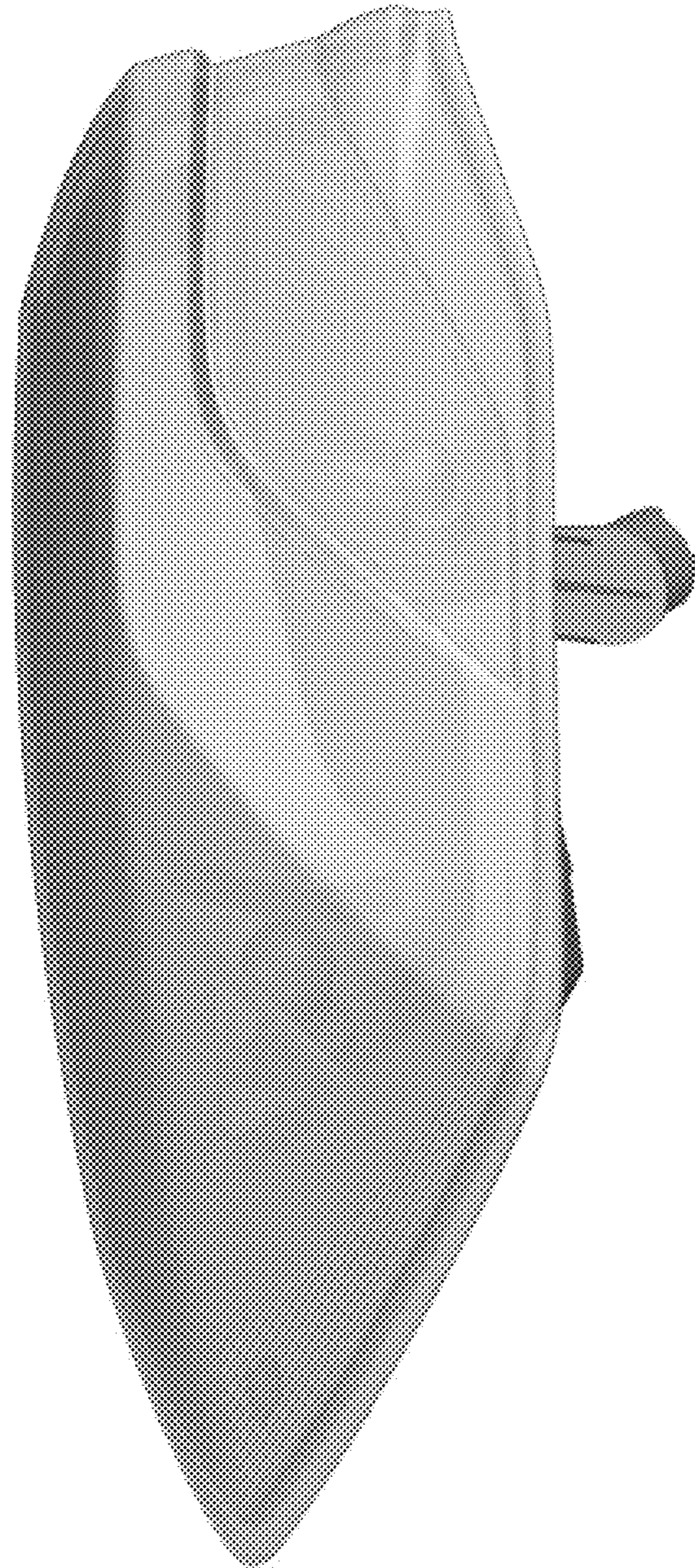


Fig. 44

Fig. 45

