



US00D907812S

(12) **United States Design Patent**  
**Brugger et al.**

(10) **Patent No.:** **US D907,812 S**

(45) **Date of Patent:** **\*\* Jan. 12, 2021**

(54) **SET OF FLOOR TILES**

(71) Applicant: **Apple Inc.**, Cupertino, CA (US)

(72) Inventors: **Alice Marlin Brugger**, San Francisco, CA (US); **Manuel Dejesus**, San Francisco, CA (US); **Joshua Robert Edwards**, Santa Cruz, CA (US); **Jean-Marc Gady**, Los Altos, CA (US); **Wesley Bryan Hamm**, San Francisco, CA (US); **Russell John Kaaihue Heirakuji**, Cupertino, CA (US); **Allison Inouye**, San Francisco, CA (US); **Moritz Wilsberg**, Menlo Park, CA (US)

(73) Assignee: **Apple Inc.**, Cupertino, CA (US)

(\*\*) Term: **15 Years**

(21) Appl. No.: **29/680,483**

(22) Filed: **Feb. 15, 2019**

(51) **LOC (13) Cl.** ..... **25-01**

(52) **U.S. Cl.**  
USPC ..... **D25/138**

(58) **Field of Classification Search**  
USPC ..... D25/138, 157

(Continued)

(56) **References Cited**

**U.S. PATENT DOCUMENTS**

3,438,312 A 4/1969 Becker et al.  
D272,474 S \* 1/1984 Belgiojoso ..... D25/138

(Continued)

**OTHER PUBLICATIONS**

“How to Carpet a Basement Floor,” The Family Handyman, accessed at <https://www.familyhandyman.com/bedroom/how-to-carpet-a-basement-floor/view-all>, accessed on Jun. 11, 2018, 4 pages.

*Primary Examiner* — Doris Clark

(74) *Attorney, Agent, or Firm* — Sterne, Kessler, Goldstein & Fox P.L.L.C.

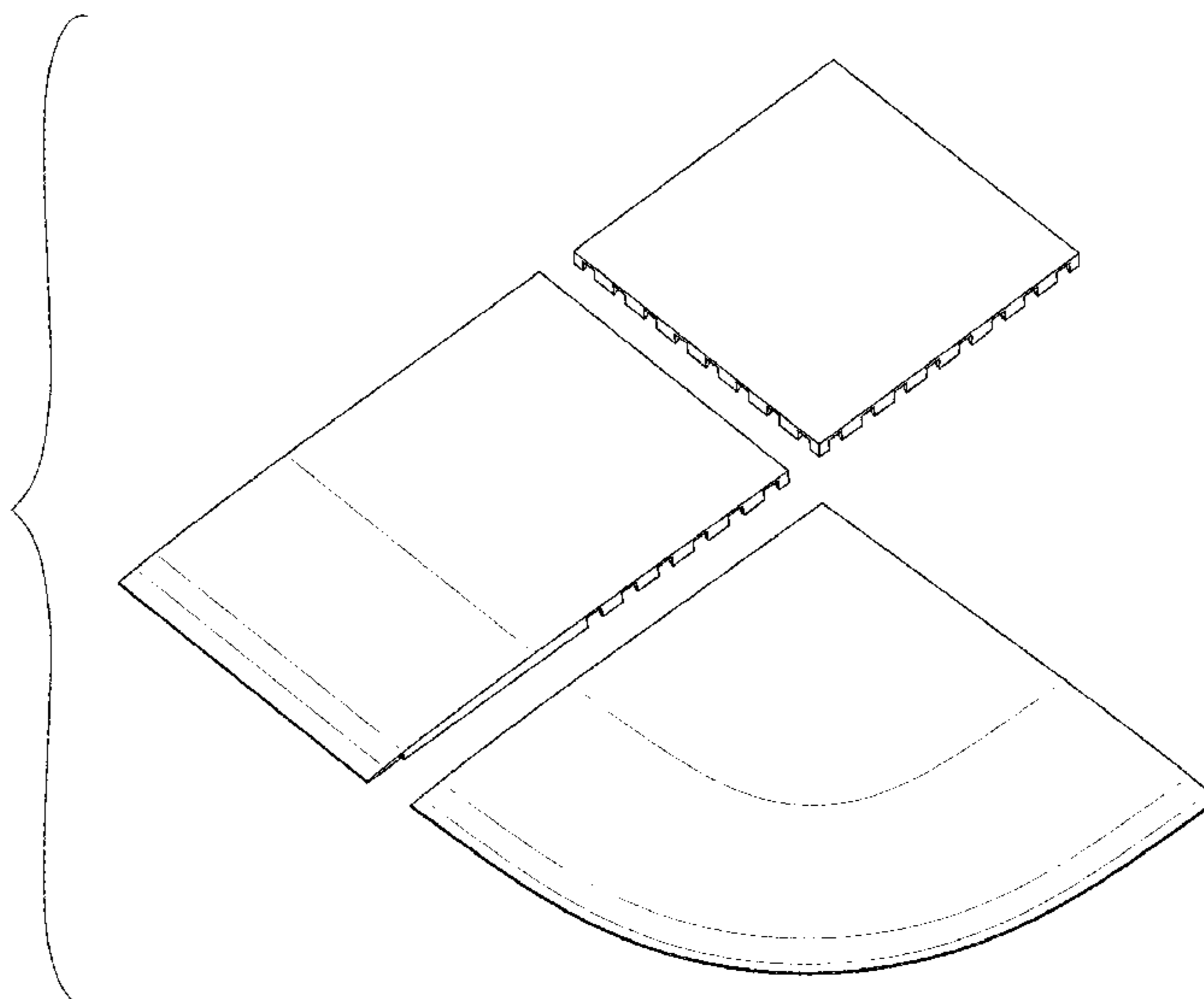
(57) **CLAIM**

The ornamental design for a set of floor tiles, as shown and described.

**DESCRIPTION**

FIG. 1 is a top front perspective view of a set of floor tiles showing the claimed design;  
FIG. 2 is a top front perspective view of a first floor tile of the set of floor tiles of FIG. 1;  
FIG. 3 is a bottom rear perspective view thereof;  
FIG. 4 is a front view thereof;  
FIG. 5 is a rear view thereof;  
FIG. 6 is a left side view thereof;  
FIG. 7 is a right side view thereof;  
FIG. 8 is a top view thereof;  
FIG. 9 is a bottom view thereof;  
FIG. 10 is a top front perspective view of a second floor tile of the set of floor tiles of FIG. 1;  
FIG. 11 is a bottom rear perspective view thereof;  
FIG. 12 is a front view thereof;  
FIG. 13 is a rear view thereof;  
FIG. 14 is a left side view thereof;  
FIG. 15 is a right side view thereof;  
FIG. 16 is a top view thereof;  
FIG. 17 is a bottom view thereof;  
FIG. 18 is a top front perspective view of a third floor tile of the set of floor tiles of FIG. 1;  
FIG. 19 is a bottom rear perspective view thereof;  
FIG. 20 is a front view thereof;  
FIG. 21 is a rear view thereof;  
FIG. 22 is a left side view thereof;  
FIG. 23 is a right side view thereof;  
FIG. 24 is a top view thereof; and,  
FIG. 25 is a bottom view thereof.

**1 Claim, 19 Drawing Sheets**



(58) **Field of Classification Search**

CPC .... B44F 9/00; B44F 9/04; B44F 11/04; B44F 11/06; E04F 15/126; E04F 15/00; E04F 15/02; E04F 15/08; B32B 18/00; B32B 2318/04; B32B 2419/04; B32B 2419/00; B32B 2607/00; B32B 9/002; B32B 9/005; E01C 1/00; E01C 1/002; E01C 11/00; E01C 15/00; E01C 2201/00; E01C 2201/14; E01C 2201/16; E04C 2/00; E04C 2/041; E04C 2/30; E04C 2/40; E04C 2/46; E04C 2/50; E04C 2/54; E04C 2002/008; E04C 2002/005; E04B 1/00; E04B 1/02; E04B 1/04; E04B 5/44

See application file for complete search history.

(56) **References Cited**

U.S. PATENT DOCUMENTS

5,616,389	A	4/1997	Blatz	
8,790,037	B2	7/2014	Culleton et al.	
D750,277	S *	2/2016	Little .....	D25/113
9,534,396	B2 *	1/2017	Castonguay .....	E04F 13/0873
9,951,527	B2 *	4/2018	Lundell .....	E01C 5/06
2008/0276561	A1	11/2008	Lee	

\* cited by examiner

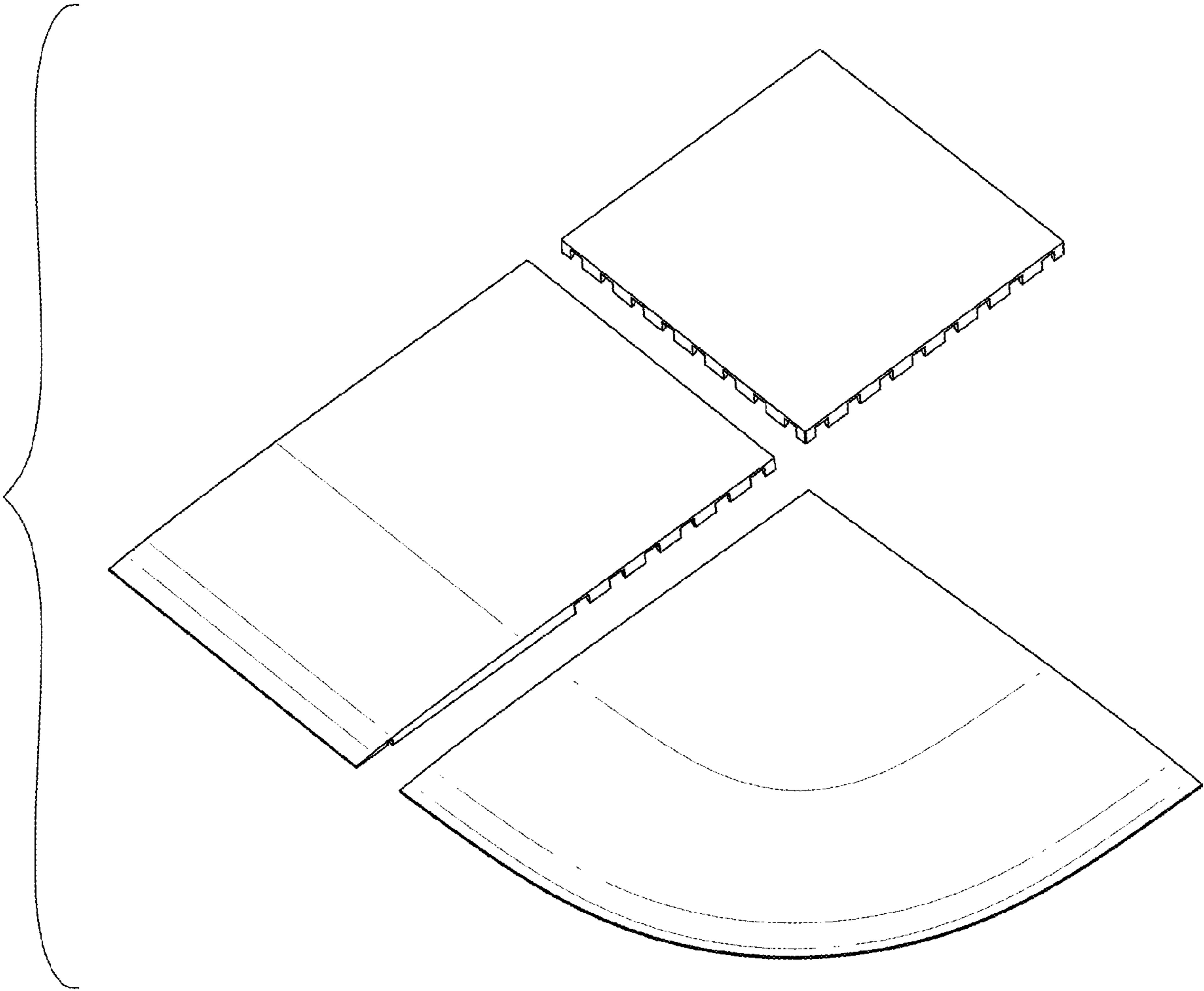


FIG. 1

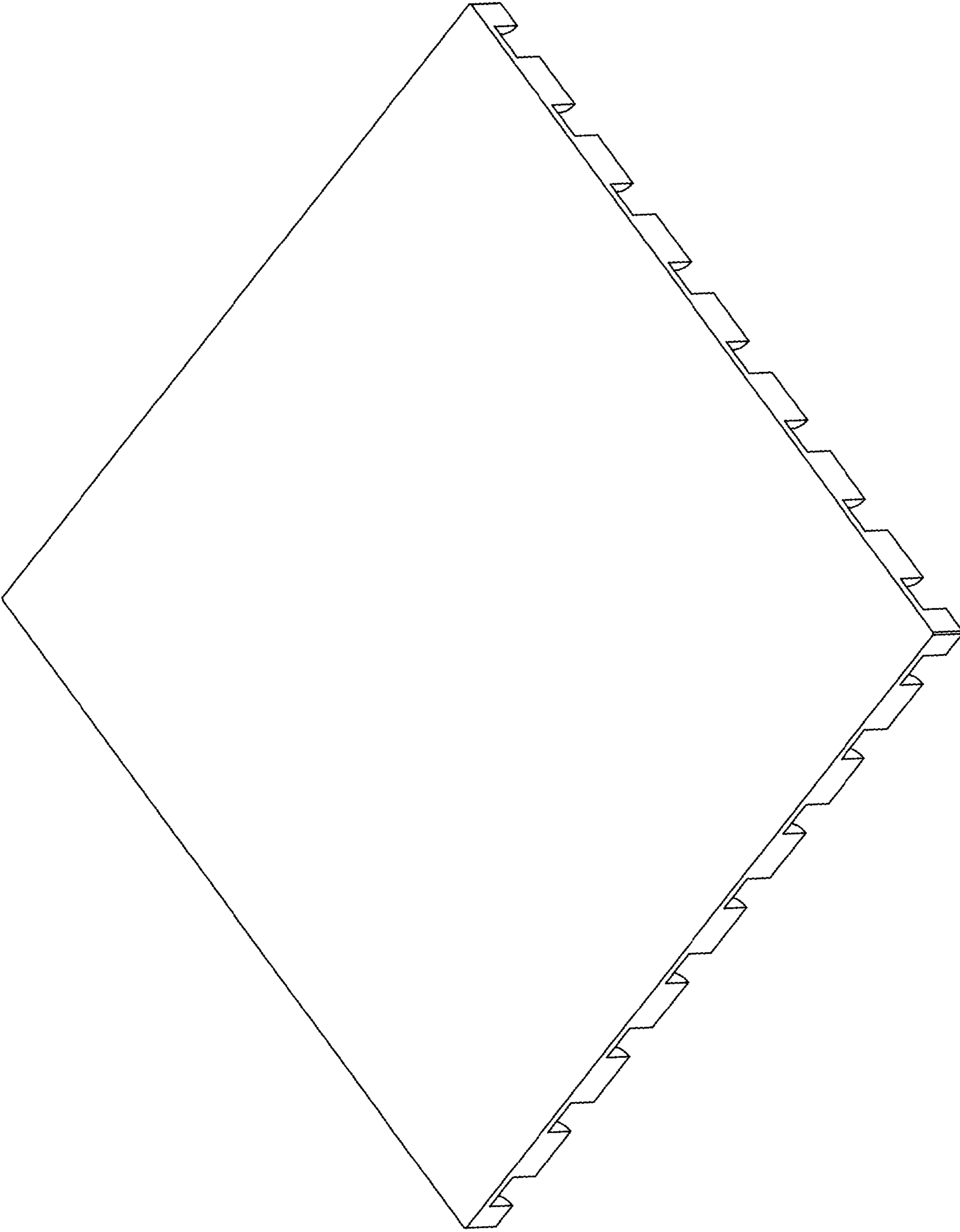


FIG. 2

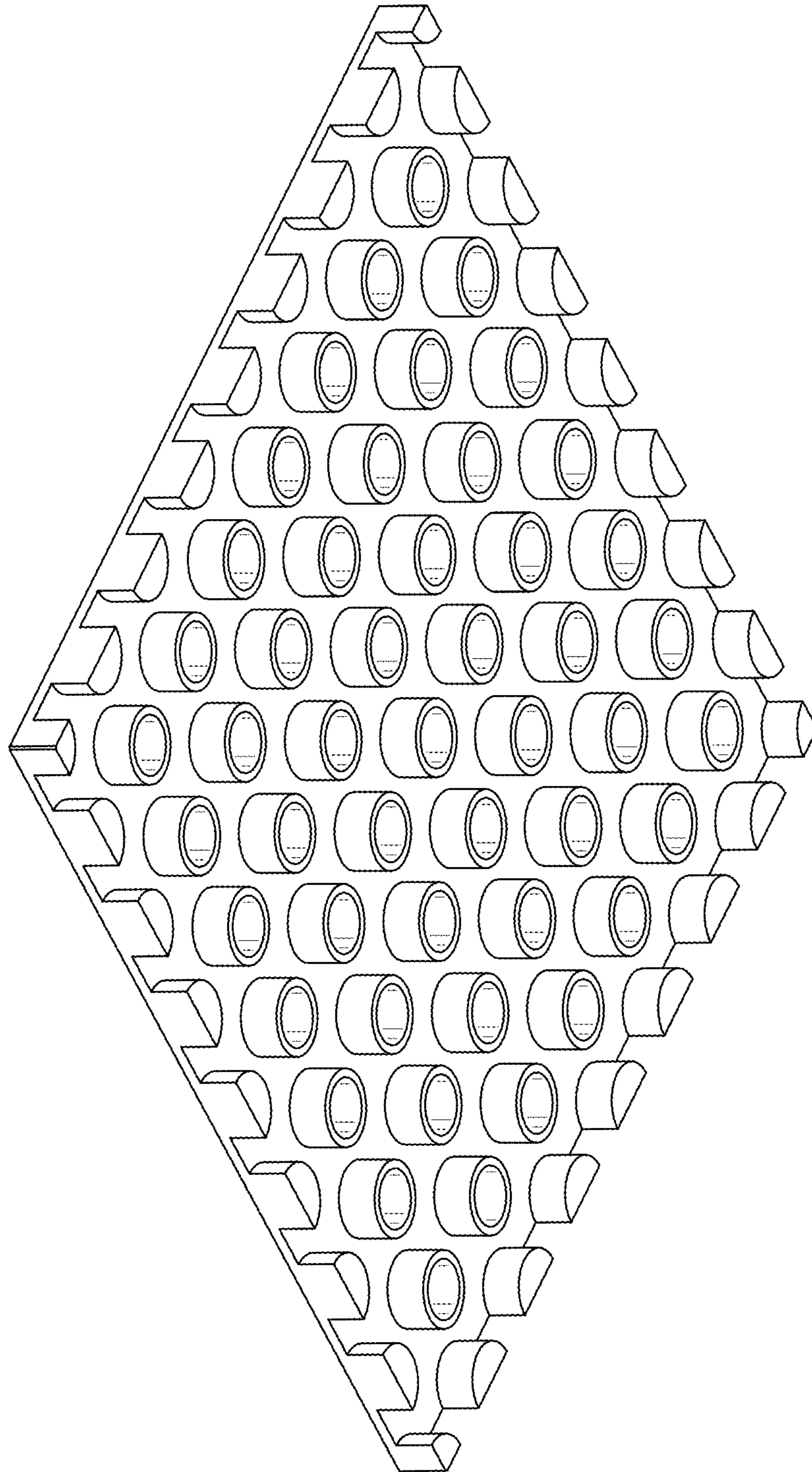


FIG. 3



*FIG. 4*



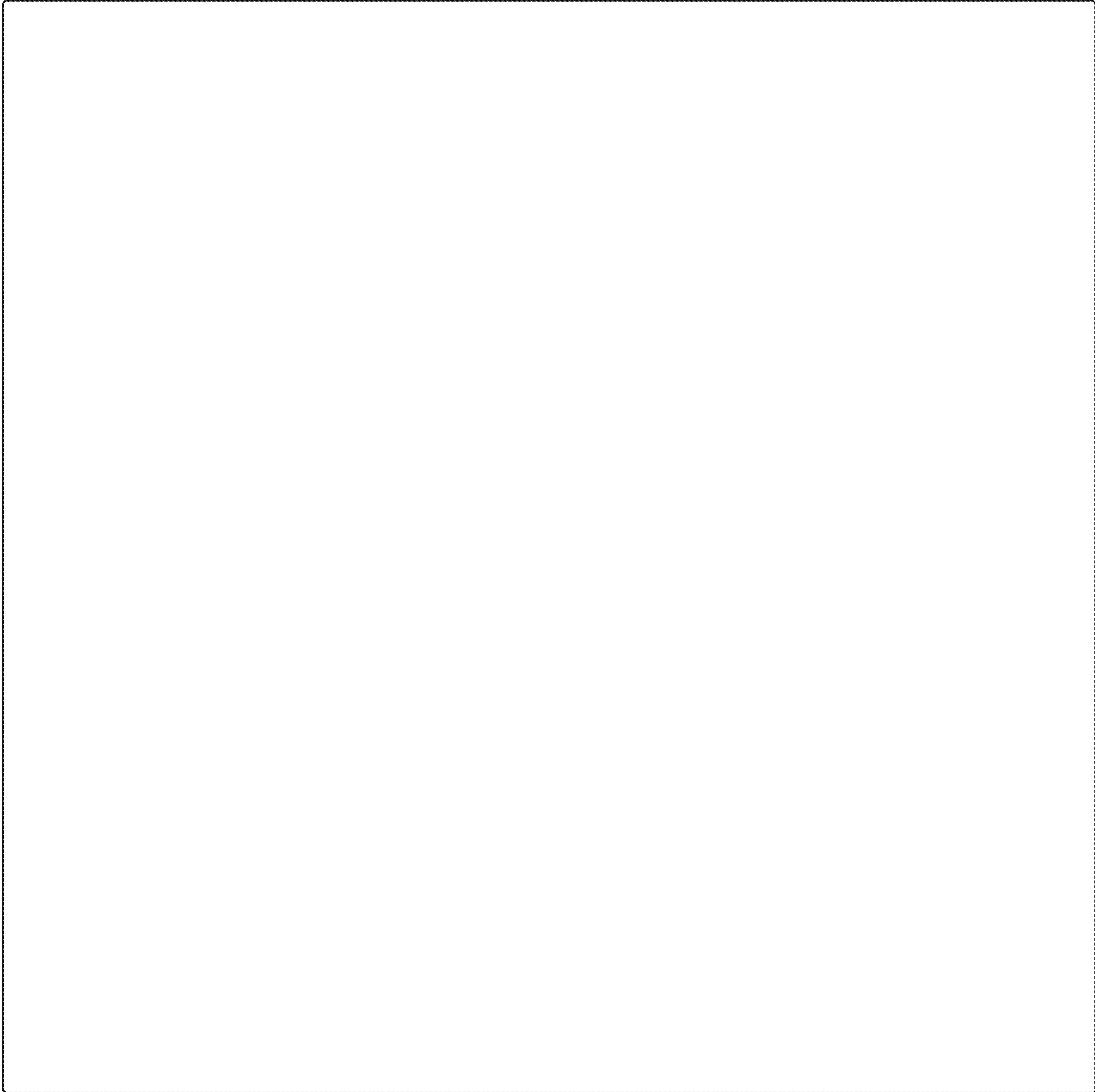
*FIG. 5*



**FIG. 6**

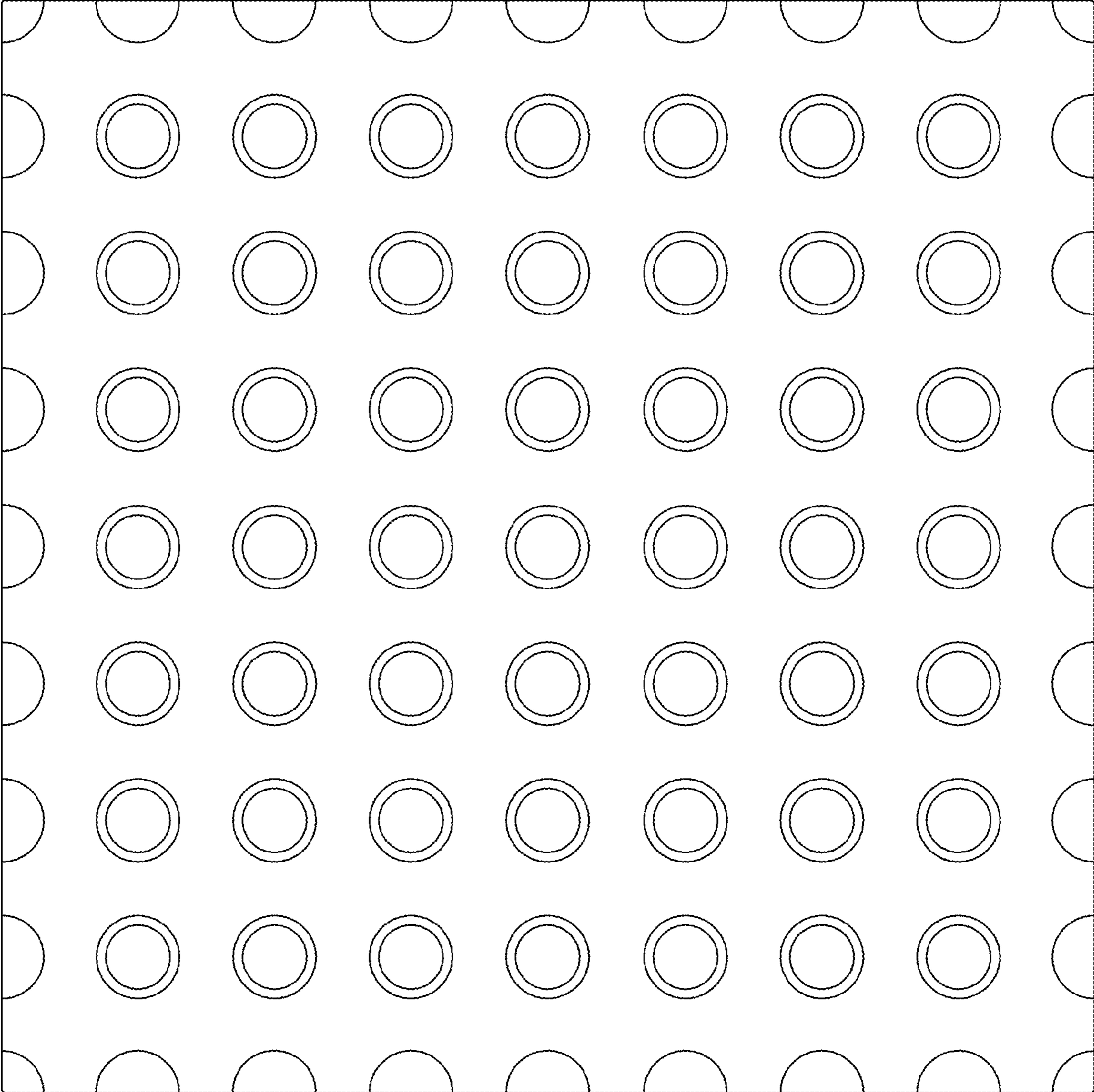


**FIG. 7**



***FIG. 8***





**FIG. 9**

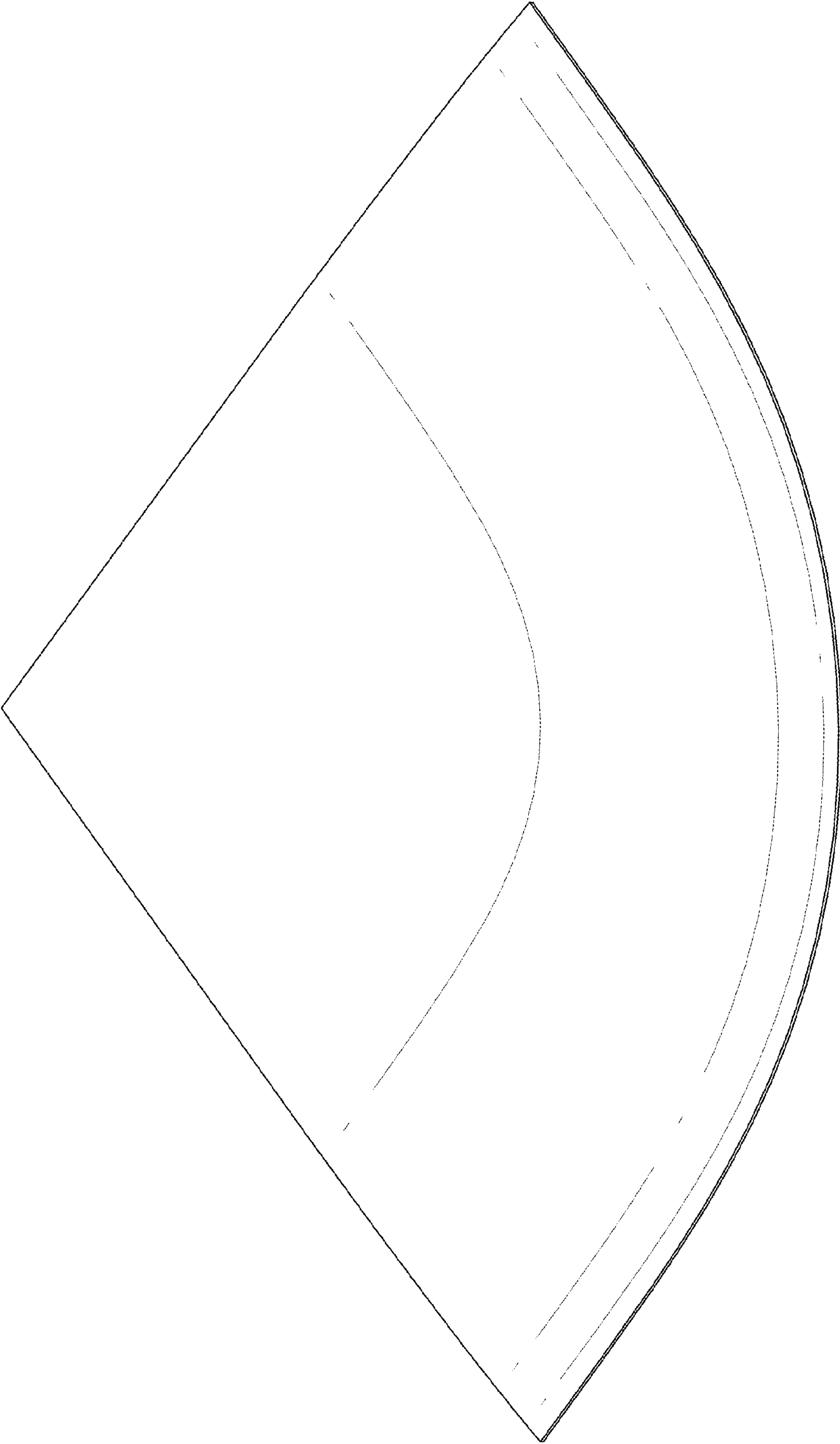


FIG. 10

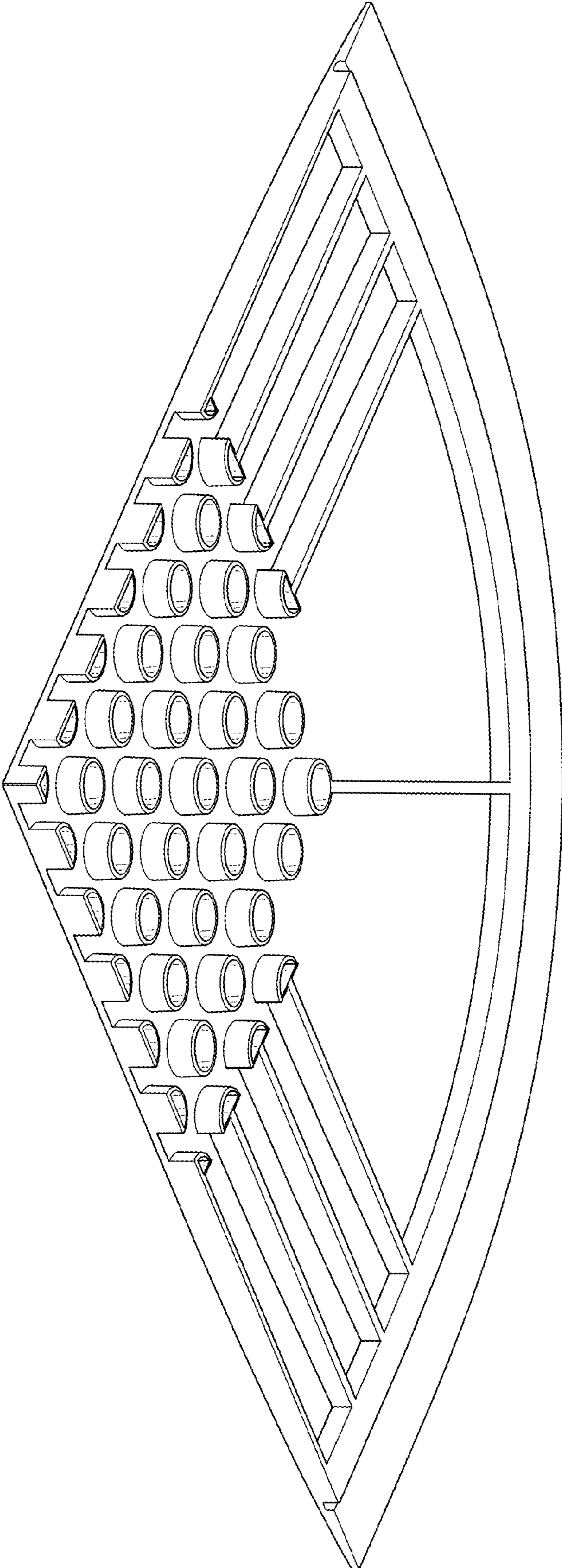


FIG. 11



FIG. 12



FIG. 13



FIG. 14

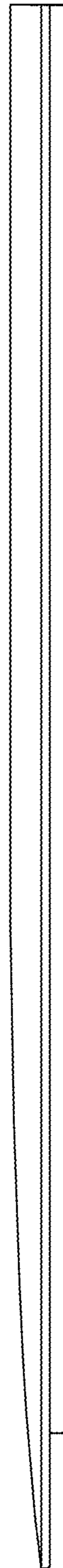
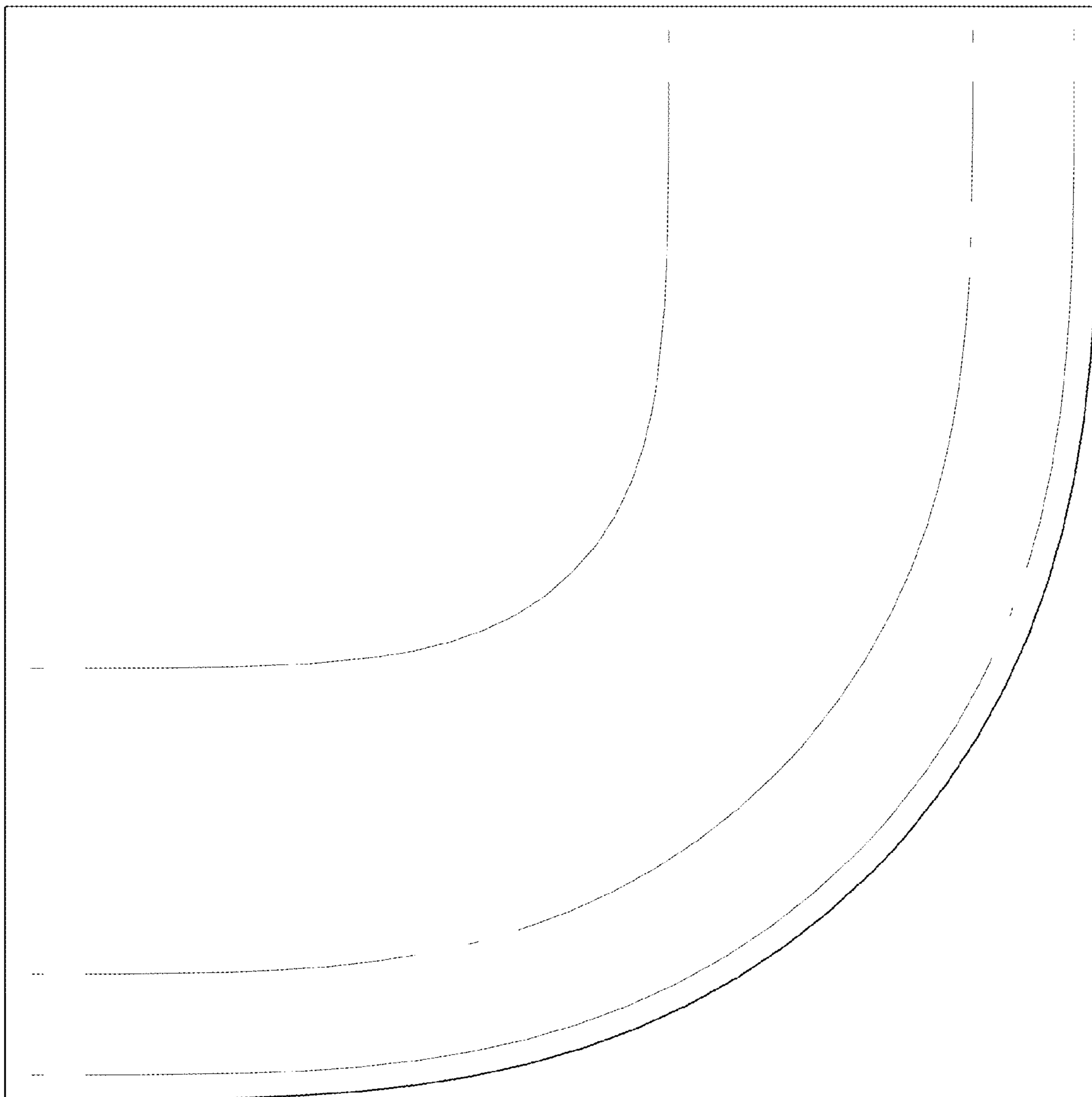


FIG. 15



**FIG. 16**

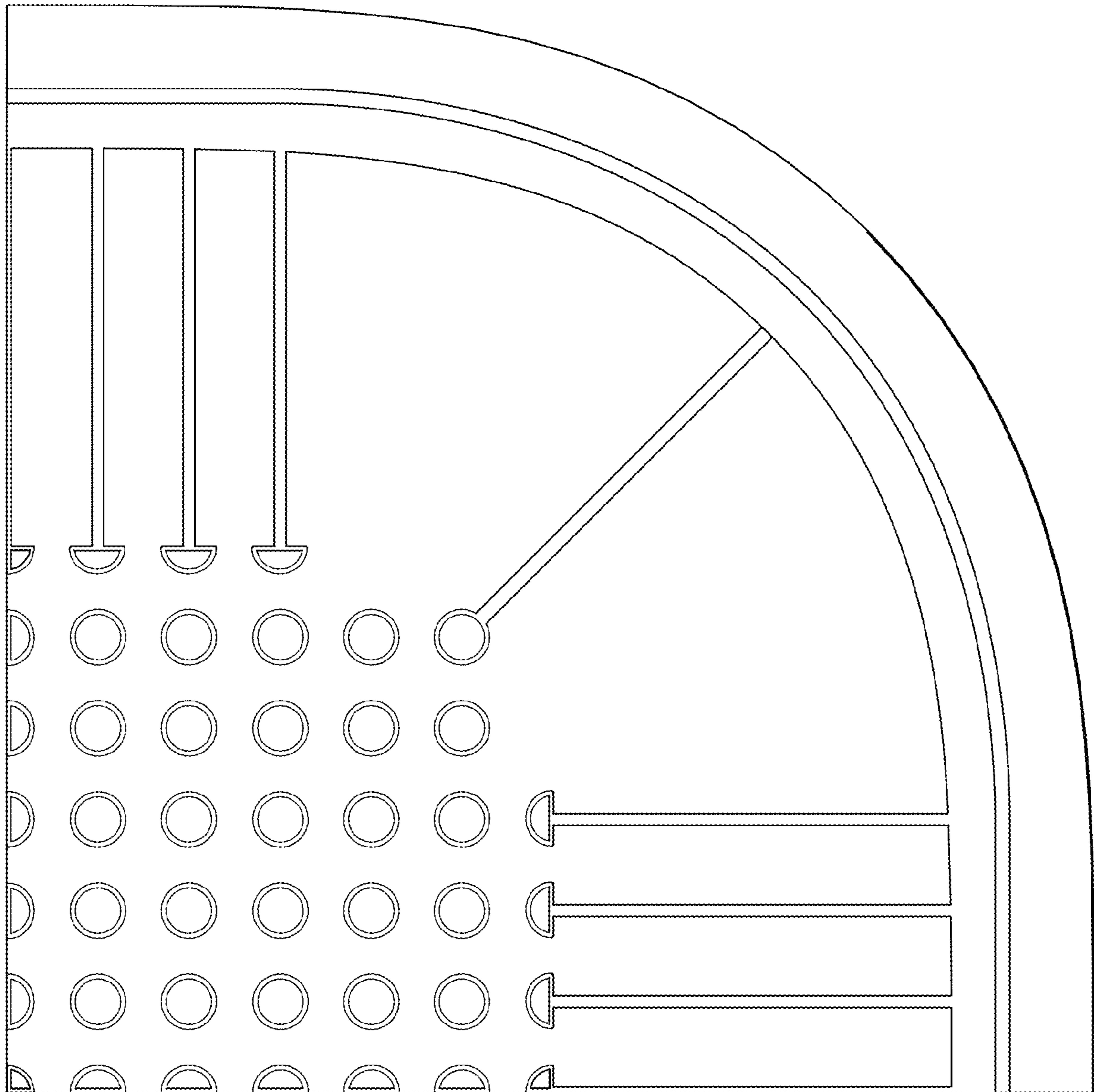


FIG. 17

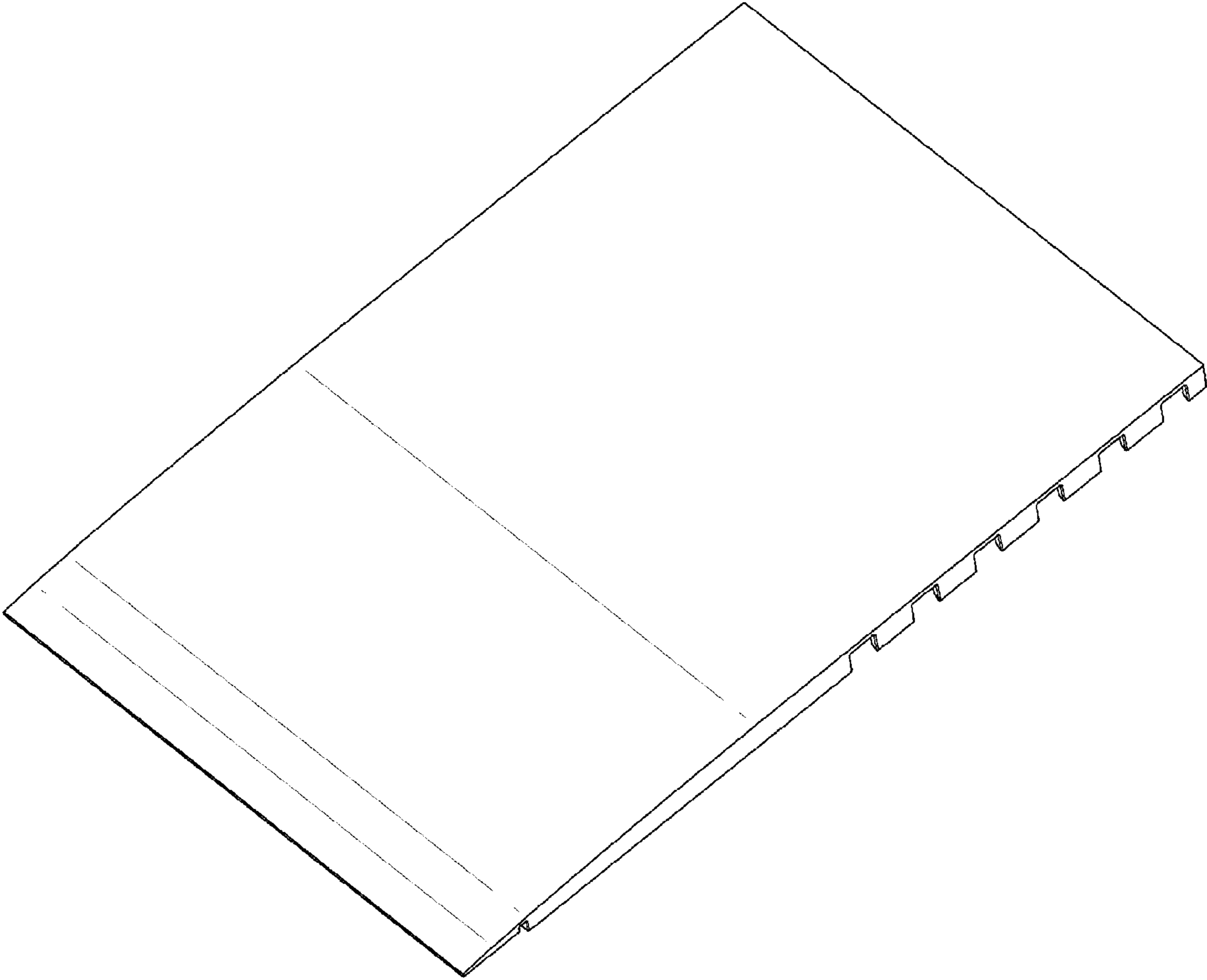


FIG. 18



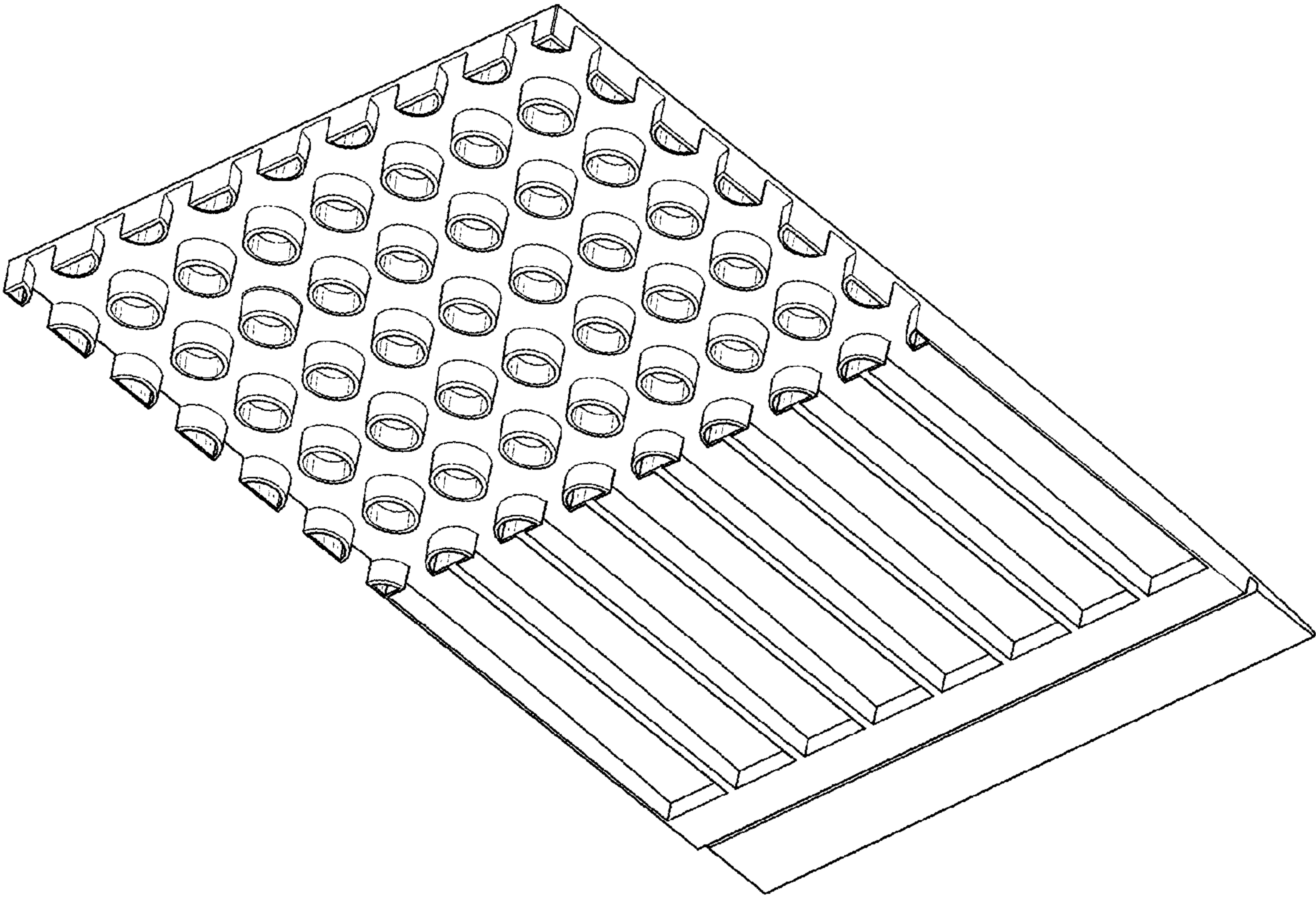
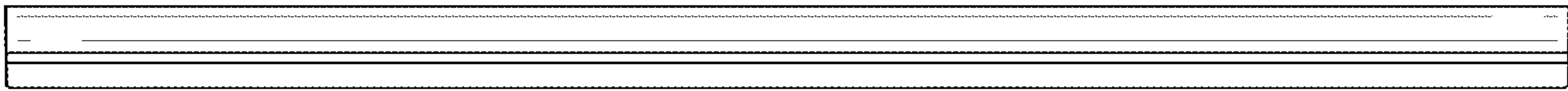


FIG. 19



**FIG. 20**



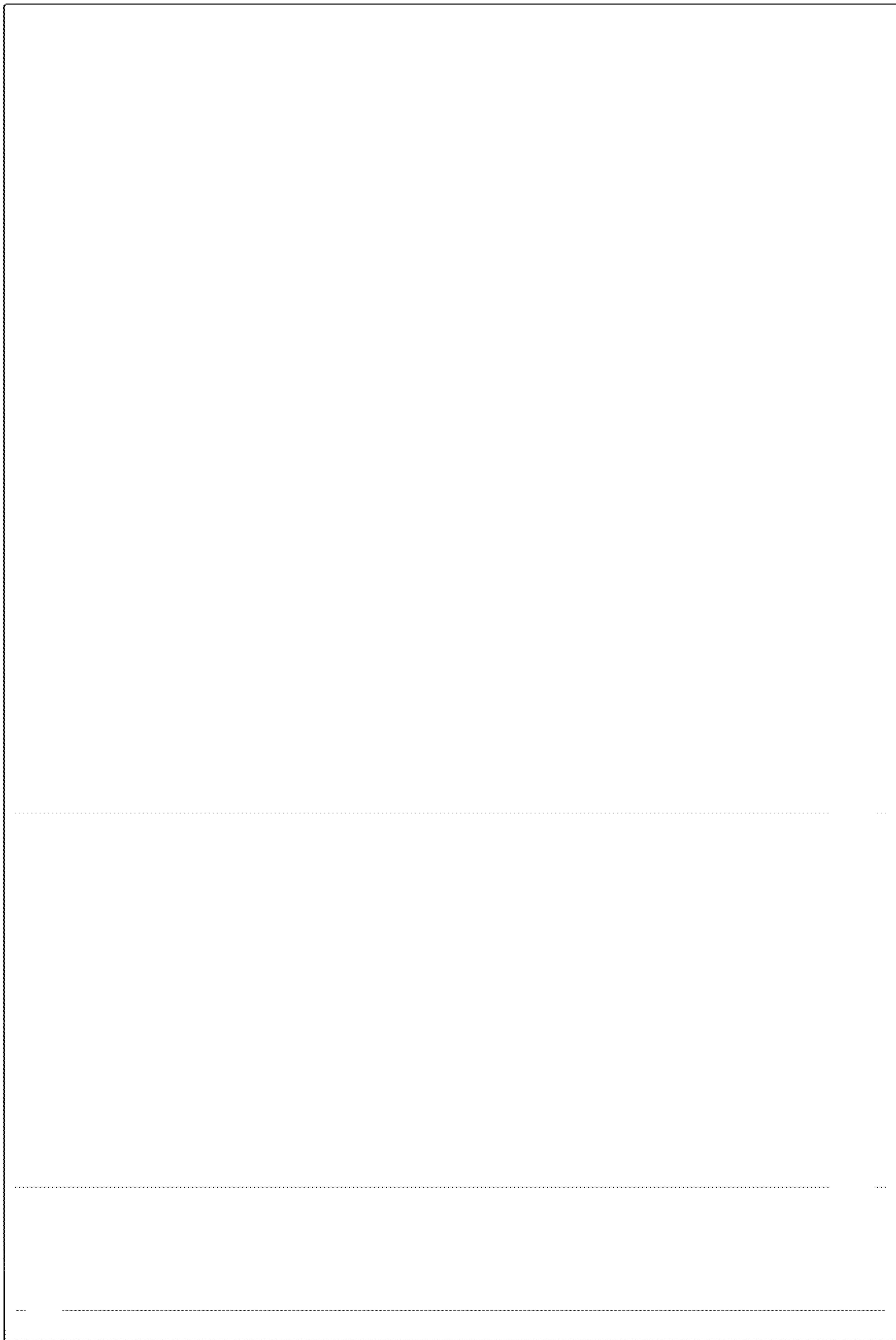
**FIG. 21**



FIG. 22



FIG. 23



**FIG. 24**

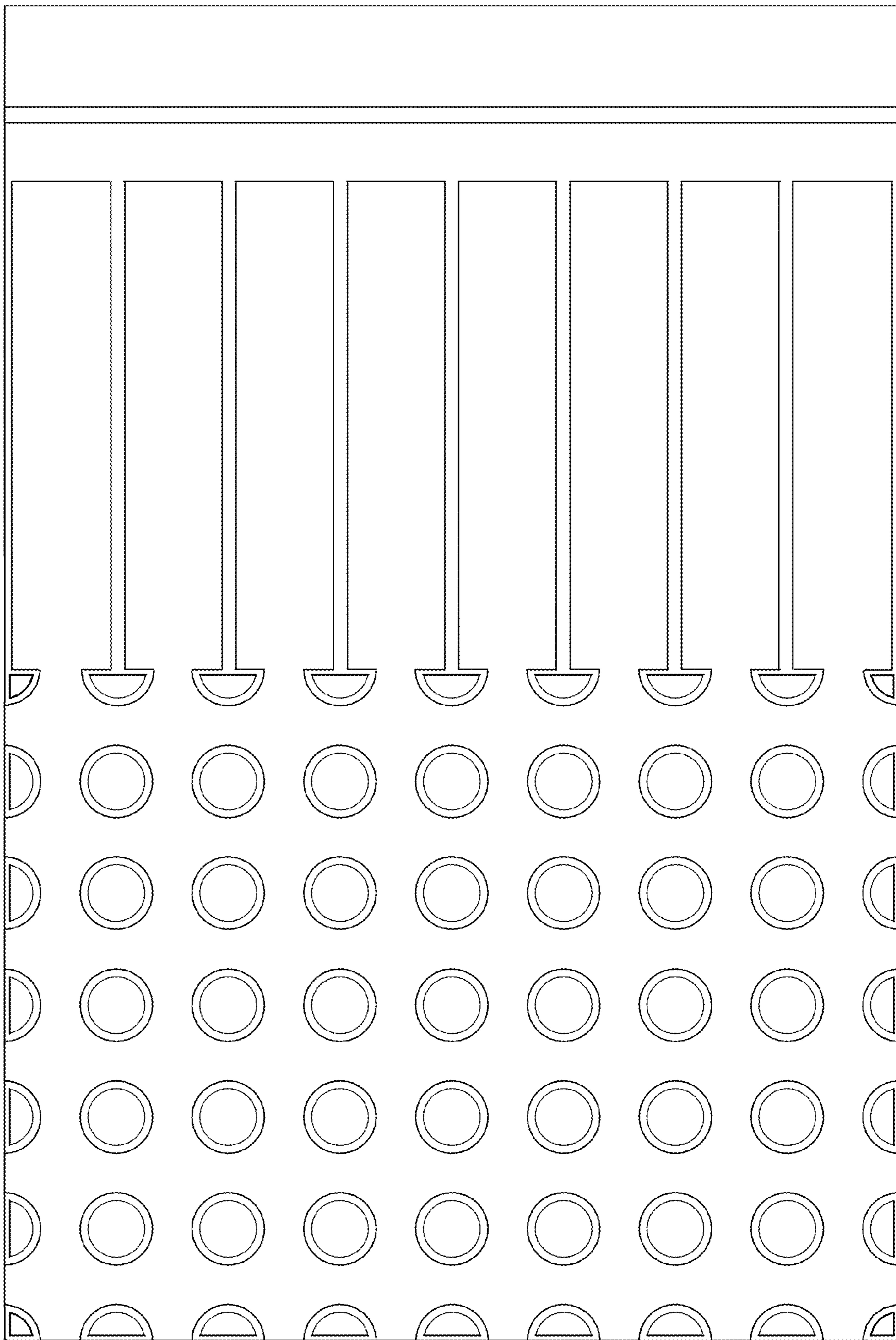


FIG. 25