



US00D907810S

(12) **United States Design Patent** (10) **Patent No.:** **US D907,810 S**
Hawthorne et al. (45) **Date of Patent:** **** Jan. 12, 2021**

(54) **VERTICAL SLIDER BOTTOM RAIL**

(56) **References Cited**

(71) Applicants: **Kyle S. Hawthorne**, Waldo, ME (US);
John C. Magri, Jr., Stockton Springs,
ME (US); **William M. Gray**, Stockton
Springs, ME (US); **Ralph J.**
McDermott, Jr., Lincolnville, ME
(US); **Ryan H. Hamden**, Belfast, ME
(US)

U.S. PATENT DOCUMENTS

D307,485	S	*	4/1990	Westphal	D25/124
D351,664	S	*	10/1994	Cole	D25/124
D366,323	S	*	1/1996	Schrader	D25/124
D495,428	S	*	8/2004	Franson	D25/124
D498,545	S	*	11/2004	Willman	D25/124
D590,959	S	*	4/2009	Franson	D25/124
D692,587	S	*	10/2013	Wickland	D25/124
D769,465	S	*	10/2016	Fannan	D25/124
D769,466	S	*	10/2016	Fannan	D25/124
D795,463	S	*	8/2017	Marshall	D25/125
D888,996	S	*	6/2020	Hawthorne	D25/124
2018/0030775	A1	*	2/2018	Walsh	E06B 1/30

(72) Inventors: **Kyle S. Hawthorne**, Waldo, ME (US);
John C. Magri, Jr., Stockton Springs,
ME (US); **William M. Gray**, Stockton
Springs, ME (US); **Ralph J.**
McDermott, Jr., Lincolnville, ME
(US); **Ryan H. Hamden**, Belfast, ME
(US)

* cited by examiner

Primary Examiner — Llorellys Martinez

(74) *Attorney, Agent, or Firm* — Anthony D. Pellegrini

(73) Assignee: **Mathews Brothers Company**, Belfast,
ME (US)

(57) **CLAIM**

The ornamental design for a vertical slider bottom rail, as shown and described.

(**) Term: **15 Years**

DESCRIPTION

(21) Appl. No.: **29/715,559**

FIG. 1 is a left plan view of a vertical slider bottom rail showing our new design.

(22) Filed: **Dec. 3, 2019**

FIG. 2 is a top, rear perspective view thereof.

(51) **LOC (13) Cl.** **25-01**

FIG. 3 is a top, front perspective view thereof.

(52) **U.S. Cl.**

FIG. 4 is a bottom, rear perspective view thereof.

USPC **D25/124**

FIG. 5 is a bottom, front perspective view thereof.

(58) **Field of Classification Search**

USPC D25/119–125, 60, 61; D8/349

FIG. 6 is a top plan view thereof.

CPC E06B 1/02; E06B 1/04; E06B 1/12; E06B

FIG. 7 is a rear elevation view thereof.

1/26; E06B 1/28; E06B 1/36; E06B 1/52;

FIG. 8 is a front elevation view thereof; and,

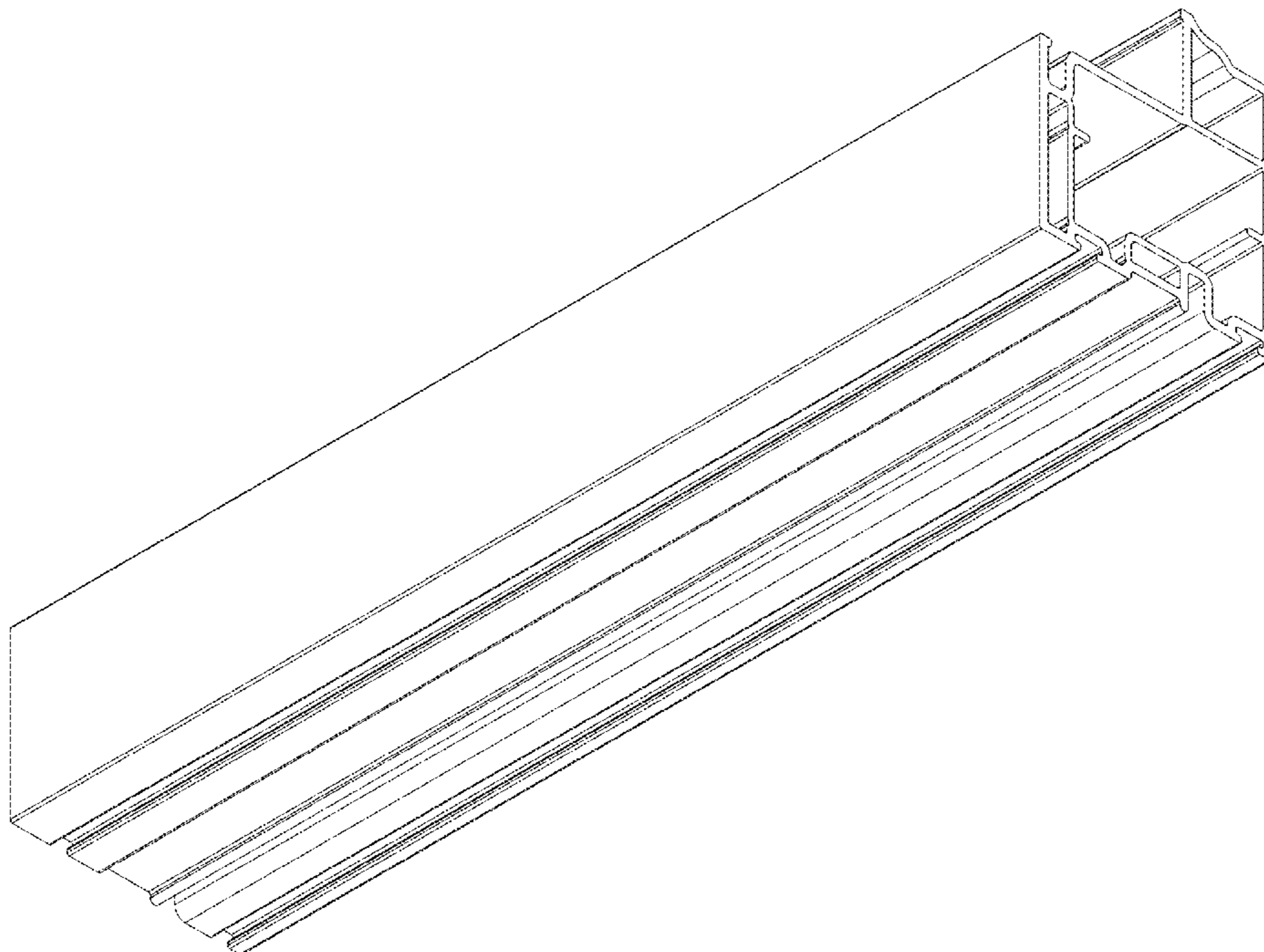
E06B 1/205; E06B 1/70; E06B 1/702;

FIG. 9 is a bottom plan view thereof.

E06B 2001/707

See application file for complete search history.

1 Claim, 9 Drawing Sheets



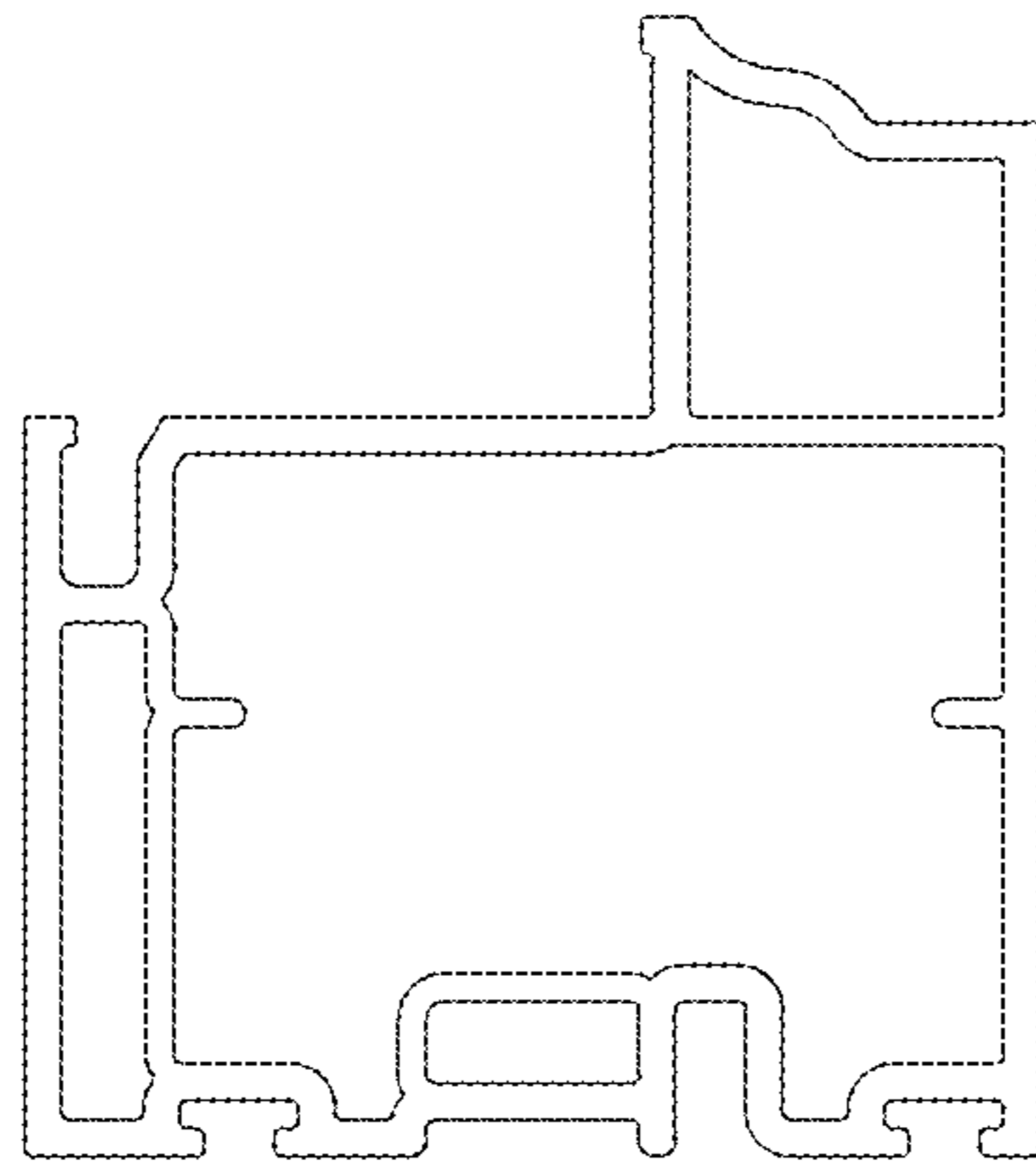


Fig. 1

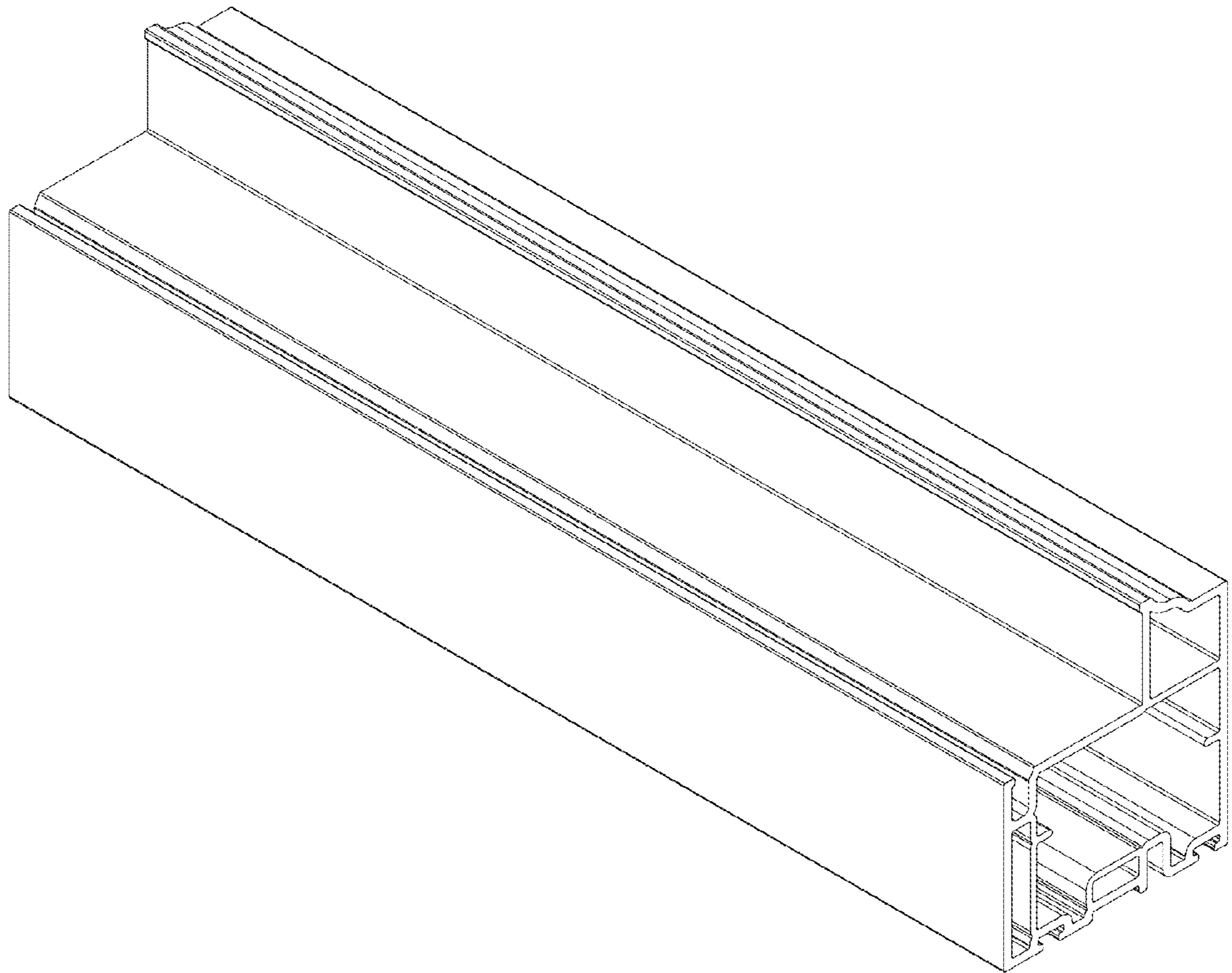


Fig. 2

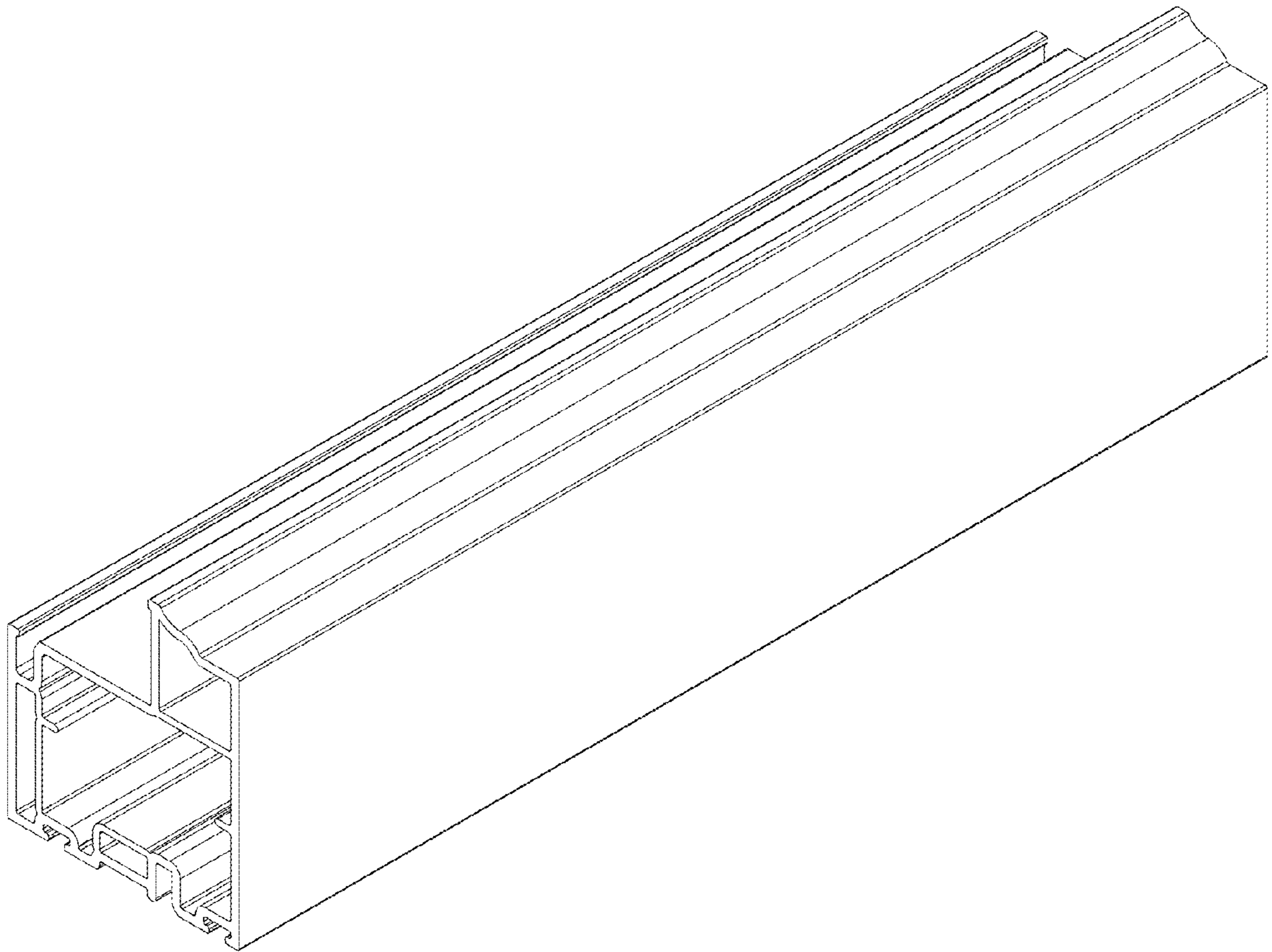


Fig. 3

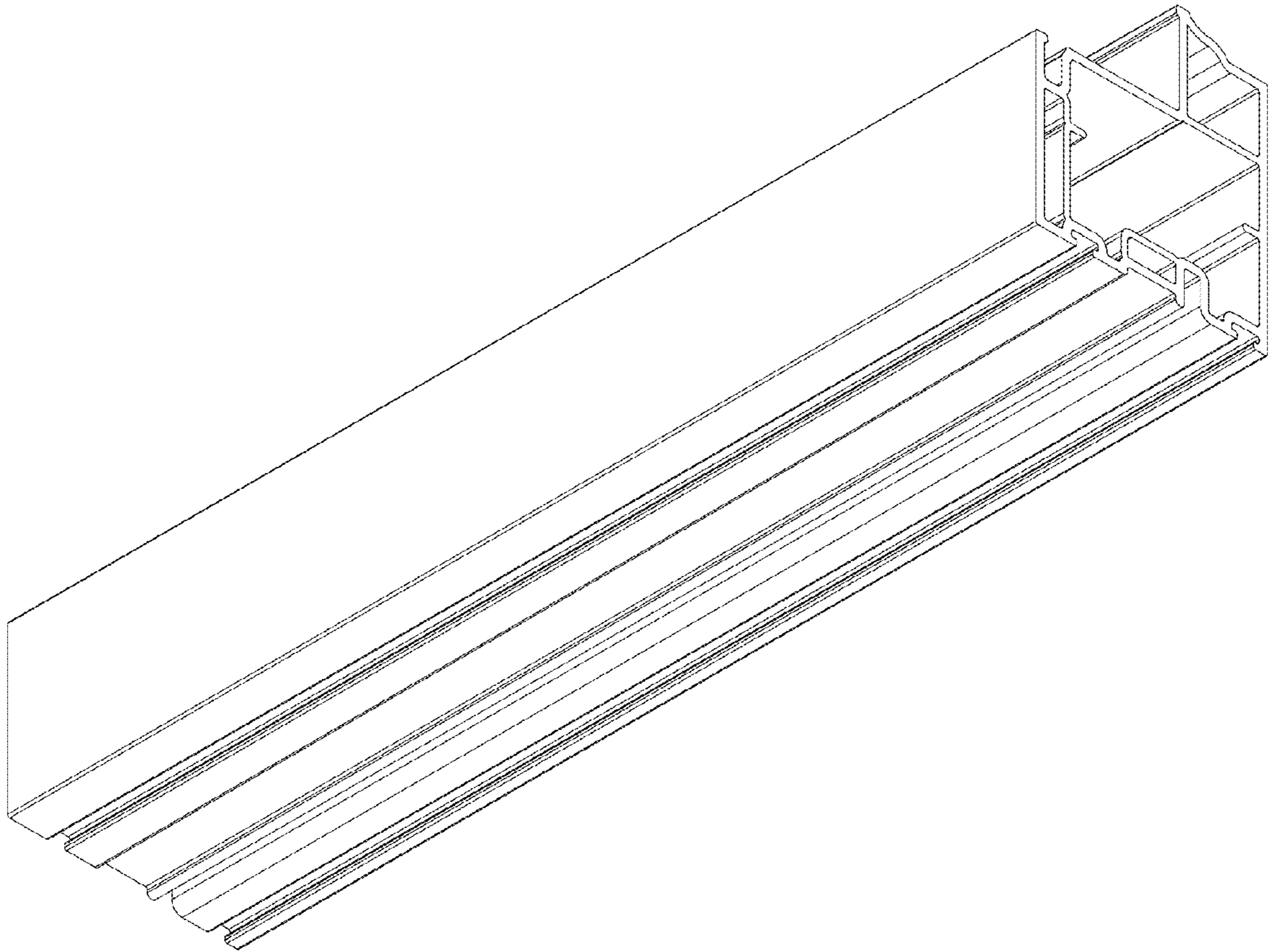


Fig. 4

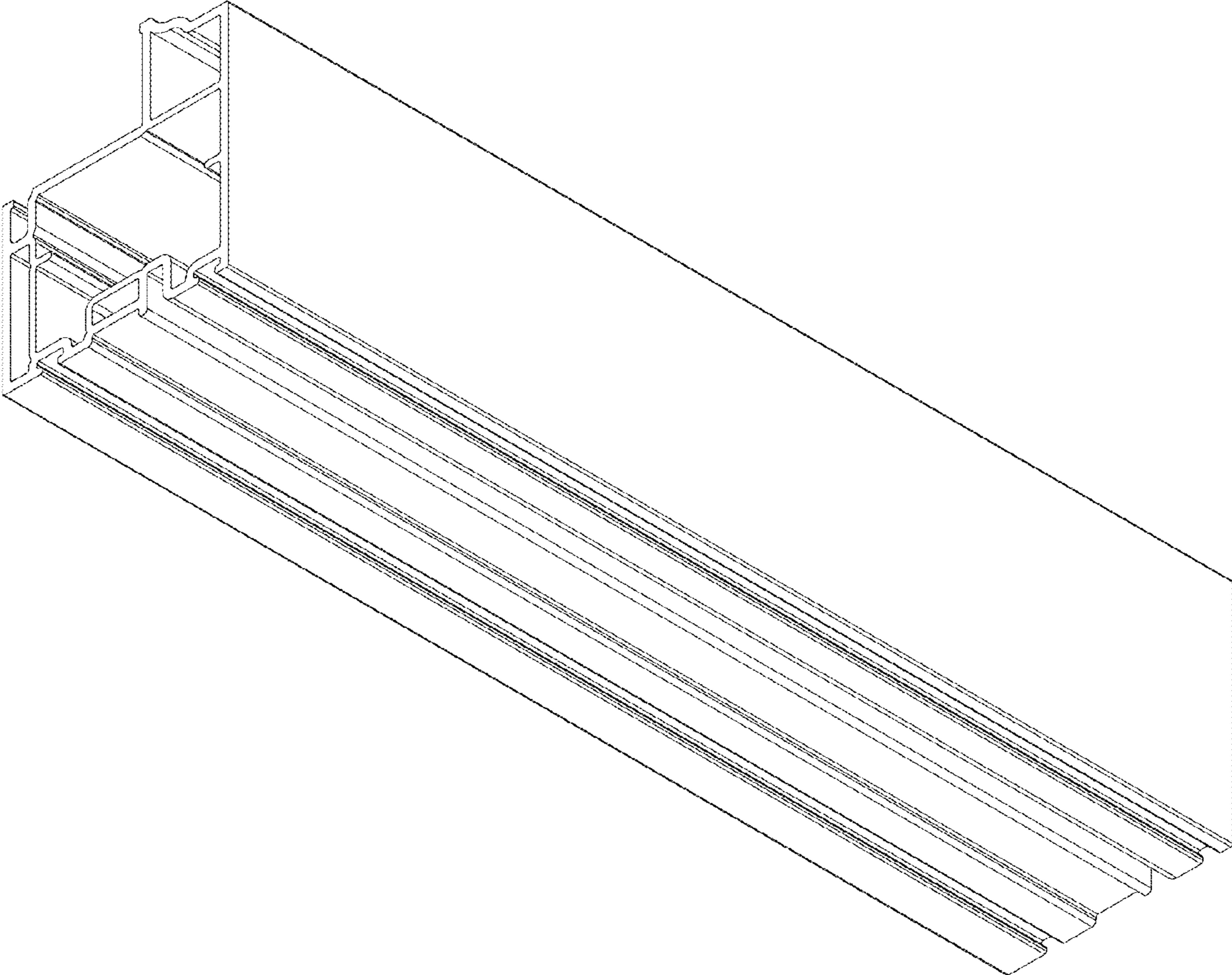


Fig. 5

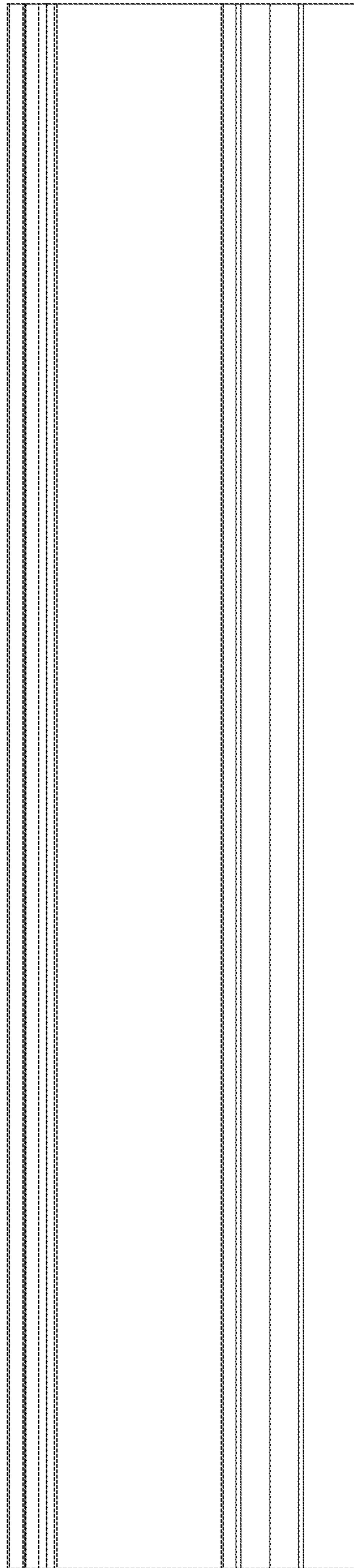


Fig. 6



Fig. 7

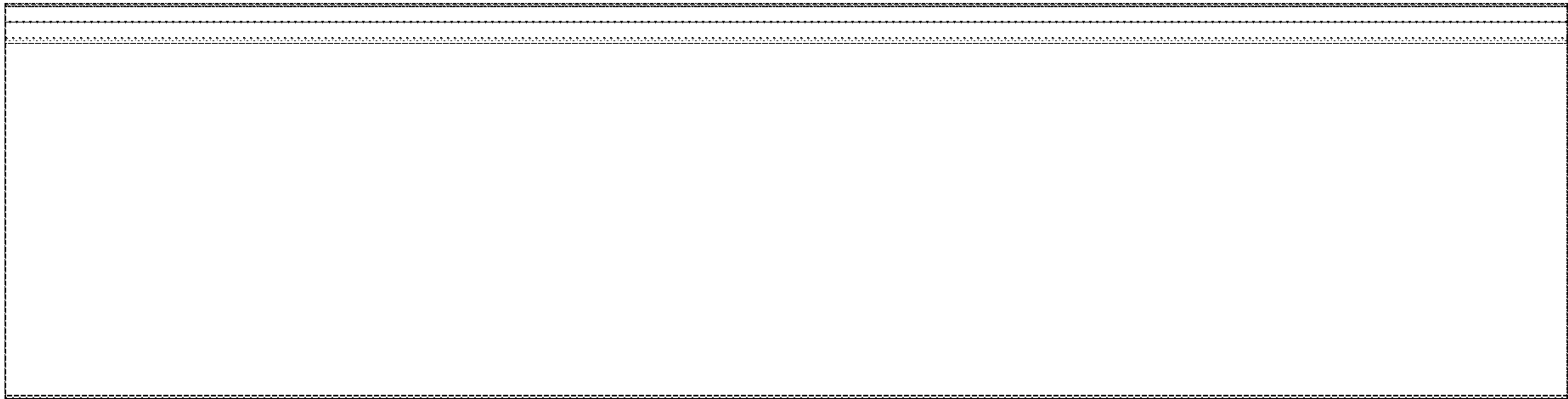


Fig. 8

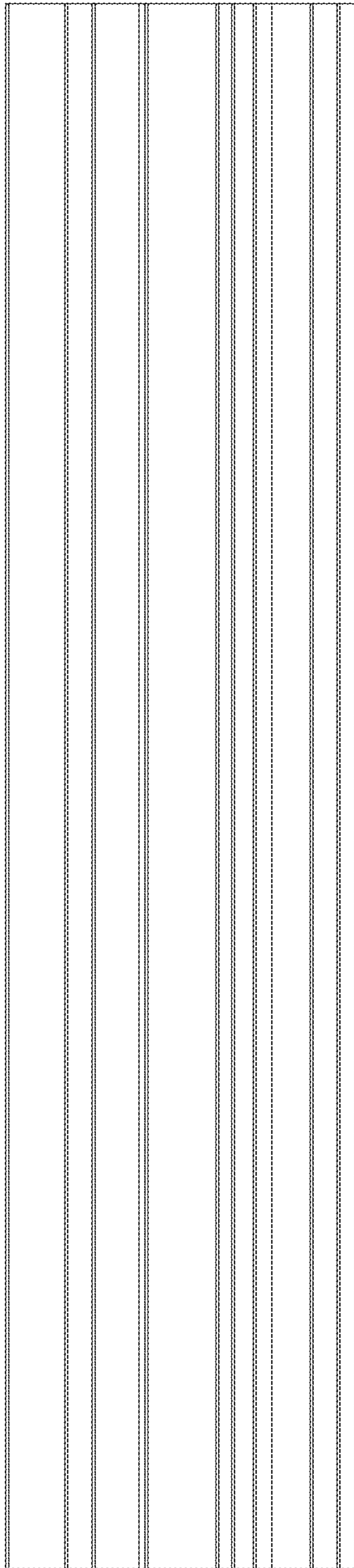


Fig. 9