



US00D907800S

(12) **United States Design Patent** (10) **Patent No.:** **US D907,800 S**  
**Coen et al.** (45) **Date of Patent:** **\*\* Jan. 12, 2021**

(54) **FENCE PANEL**

FOREIGN PATENT DOCUMENTS

(71) Applicant: **LANDSCAPE FORMS, INC.**,  
Kalamazoo, MI (US)

EM 002421982-0001 \* 3/2014  
JP D1491945 \* 3/2014

(72) Inventors: **Shane Coen**, Minneapolis, MN (US);  
**Robin Ganser**, Minneapolis, MN (US);  
**Brian Revoir**, Vicksburg, MI (US);  
**John Shimer**, Portage, MI (US)

OTHER PUBLICATIONS

L I N E Landscape Panels—Outdoor Fence & Landscape Panels  
<https://www.landscapeforms.com/en-US/product/Pages/L-I-N-E-Landscape-Panels.aspx> Available Sep. 4, 2019 (Year: 2019).\*

(Continued)

(73) Assignee: **LANDSCAPE FORMS, INC.**,  
Kalamazoo, MI (US)

*Primary Examiner* — Leanne Was-Englehart

(\*\*) Term: **15 Years**

(74) *Attorney, Agent, or Firm* — Heslin Rothenberg  
Farley and Mesiti PC

(21) Appl. No.: **29/688,275**

(57) **CLAIM**

We claim the ornamental design for a fence panel, as shown  
and described.

(22) Filed: **Apr. 19, 2019**

(51) **LOC (13) Cl.** ..... **25-02**

(52) **U.S. Cl.**  
USPC ..... **D25/38.1**

(58) **Field of Classification Search**  
USPC ..... D25/38.1, 39, 40, 41.1, 42, 43, 44, 45  
CPC ..... E04H 17/00; E04H 17/14; E04H 17/1413;  
E04H 17/1417; E04H 17/1421; E04H  
17/1426; E04H 17/143; E04H 17/1434;  
E04H 17/1439; E04H 17/1443; E04H  
17/16; E04H 17/161; E01F 8/00; E01F  
8/0029; E01F 8/0064

**DESCRIPTION**

This application is related to commonly owned, concurr-  
ently filed application Ser. No. 29/688,304, entitled “Metal  
Gate and Metal Fence Panel”.

FIG. 1 is an isometric view of a fence panel of the present  
design;

FIG. 2 is a front elevational view thereof;

FIG. 3 is a rear elevational view thereof;

FIG. 4 is a right side elevational view thereof;

FIG. 5 is a left side elevational view thereof;

FIG. 6 is a top view thereof;

FIG. 7 is a bottom view thereof;

FIG. 8 is a front elevational view of the fence panel disposed  
in a series of fence panels; and,

FIG. 9 is a front elevational view of an alternative embodi-  
ment of the fence panel.

The broken lines in the figures illustrate portions of the fence  
panel, which forms no part of the claimed design. The  
broken short dash-long dash broken lines in FIG. 9 depict a  
symbolic break in the article. The portion between the break  
lines forms no part of the claimed design.

See application file for complete search history.

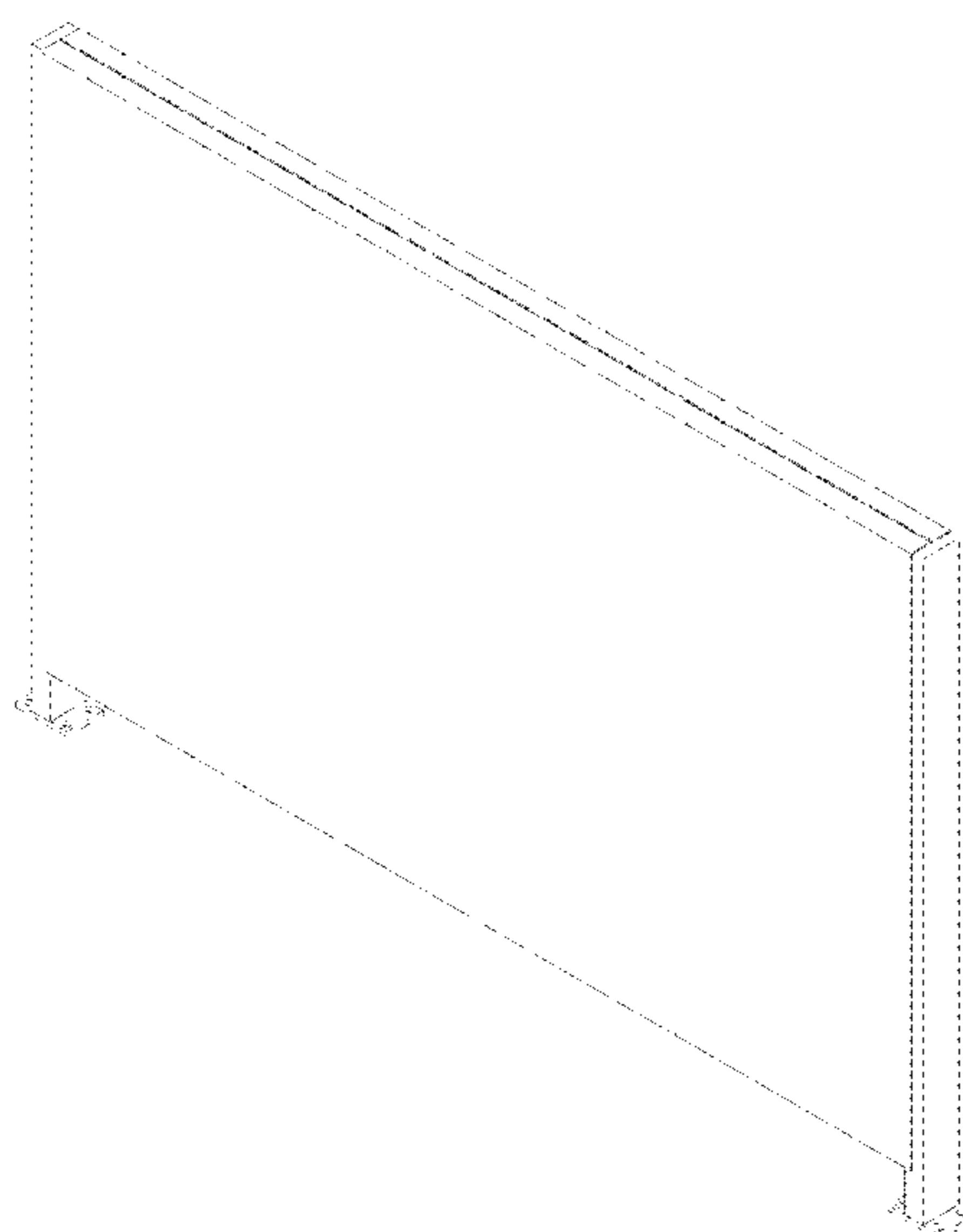
(56) **References Cited**

U.S. PATENT DOCUMENTS

3,111,303 A \* 11/1963 Olson ..... E04H 17/08  
256/19  
3,305,221 A \* 2/1967 Kling ..... E04F 11/181  
256/21  
D427,784 S \* 7/2000 Domina ..... D6/332  
D511,009 S \* 10/2005 McGregor ..... D25/38.1

(Continued)

**1 Claim, 7 Drawing Sheets**



(56)

**References Cited**

U.S. PATENT DOCUMENTS

D559,564 S *	1/2008	Bakker .....	D6/332
D659,261 S *	5/2012	Thomas .....	D25/48.5
D714,596 S *	10/2014	Forno .....	D8/1
D829,926 S *	10/2018	Avetsisians .....	D25/38.1
2006/0097237 A1 *	5/2006	McGregor .....	E01F 13/022 256/24
2008/0011994 A1 *	1/2008	Howe .....	E04H 17/168 256/27
2008/0023684 A1 *	1/2008	Diamond .....	E04H 17/161 256/1

OTHER PUBLICATIONS

LF L I N E Brochure [https://www.landscapeforms.com/LFI%20Brochures/LF\\_L%20I%20N%20E\\_Brochure.pdf](https://www.landscapeforms.com/LFI%20Brochures/LF_L%20I%20N%20E_Brochure.pdf) May 24, 2019 (Year: 2019).\*

Coen et al., Design U.S. Appl. No. 29/688,304, entitled "Metal Gate and Metal Fence Panel", filed Apr. 19, 2019.

Coen et al., Design U.S. Appl. No. 29/688,263, entitled "Metal Fence Panel", filed Apr. 19, 2019.

Coen et al., Design U.S. Appl. No. 29/688,265, entitled "Metal Fence Panel", filed Apr. 19, 2019.

Coen et al., Design U.S. Appl. No. 29/688,268, entitled "Metal Fence Panel", filed Apr. 19, 2019.

Coen et al., Design U.S. Appl. No. 29/688,269, entitled "Metal Fence Panel", filed Apr. 19, 2019.

Coen et al., Design U.S. Appl. No. 29/688,270, entitled "Metal Fence Panel", filed Apr. 19, 2019.

Coen et al., Design U.S. Appl. No. 29/688,273, entitled "Metal Fence Panel", filed Apr. 19, 2019.

Coen et al., Design U.S. Appl. No. 29/688,274, entitled "Metal Fence Panel", filed Apr. 19, 2019.

Coen et al., Design U.S. Appl. No. 29/688,292, entitled "Metal Gate and Metal Fence Panel", filed Apr. 19, 2019.

Coen et al., Design U.S. Appl. No. 29/688,293, entitled "Metal Gate and Metal Fence Panel", filed Apr. 19, 2019.

Coen et al., Design U.S. Appl. No. 29/688,294, entitled "Metal Gate and Metal Fence Panel", filed Apr. 19, 2019.

Coen et al., Design U.S. Appl. No. 29/688,297, entitled "Metal Gate and Metal Fence Panel", filed Apr. 19, 2019.

Coen et al., Design U.S. Appl. No. 29/688,300, entitled "Metal Gate and Metal Fence Panel", filed Apr. 19, 2019.

Coen et al., Design U.S. Appl. No. 29/688,301, entitled "Metal Gate and Metal Fence Panel", filed Apr. 19, 2019.

Coen et al., Design U.S. Appl. No. 29/688,302, entitled "Metal Gate and Metal Fence Panel", filed Apr. 19, 2019.

Speckmann Custom Fence, designed by Coen+Partners, Minneapolis, Minnesota, 1 page, completed 2008.

Westminster Custom Fence, designed by Coen+Partners, Minneapolis, Minnesota, 1 page, completed 2007.

Wood House Custom Fence, designed by Coen+Partners, Minneapolis, Minnesota, 1 page, completed 2014.

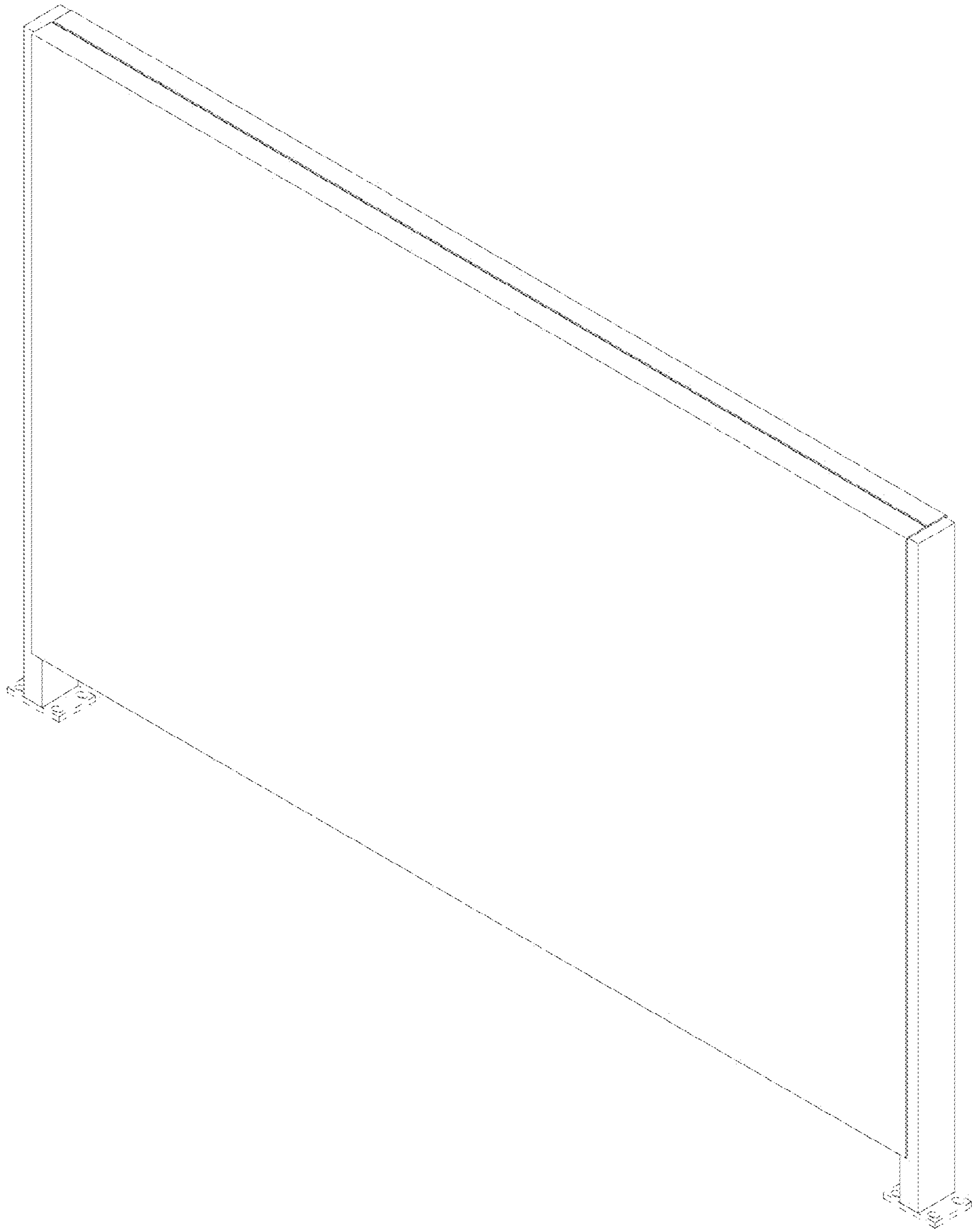
Arden Hills House Custom Fence, designed by Coen+Partners, Minneapolis, Minnesota, 1 page, completed 2006.

Lavin Bernick Center Custom Fence, designed by Coen+Partners, Minneapolis, Minnesota, 1 page, completed 2007.

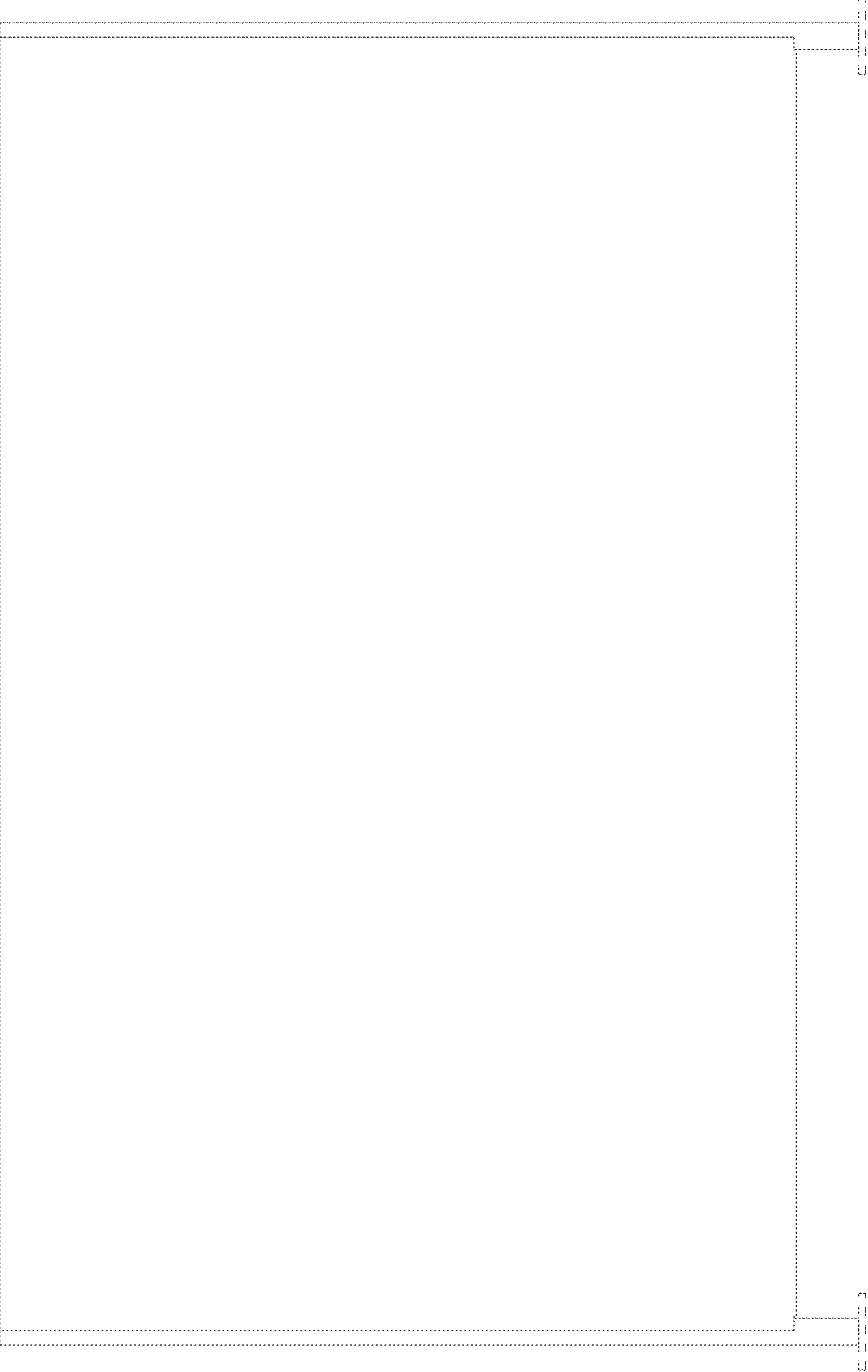
Coen House Custom Fence, designed by Coen+Partners, Minneapolis, Minnesota, 1 page, completed 1999.

Pohlad Custom Fence, designed by Coen+Partners, Minneapolis, Minnesota, 1 page, completed 2008.

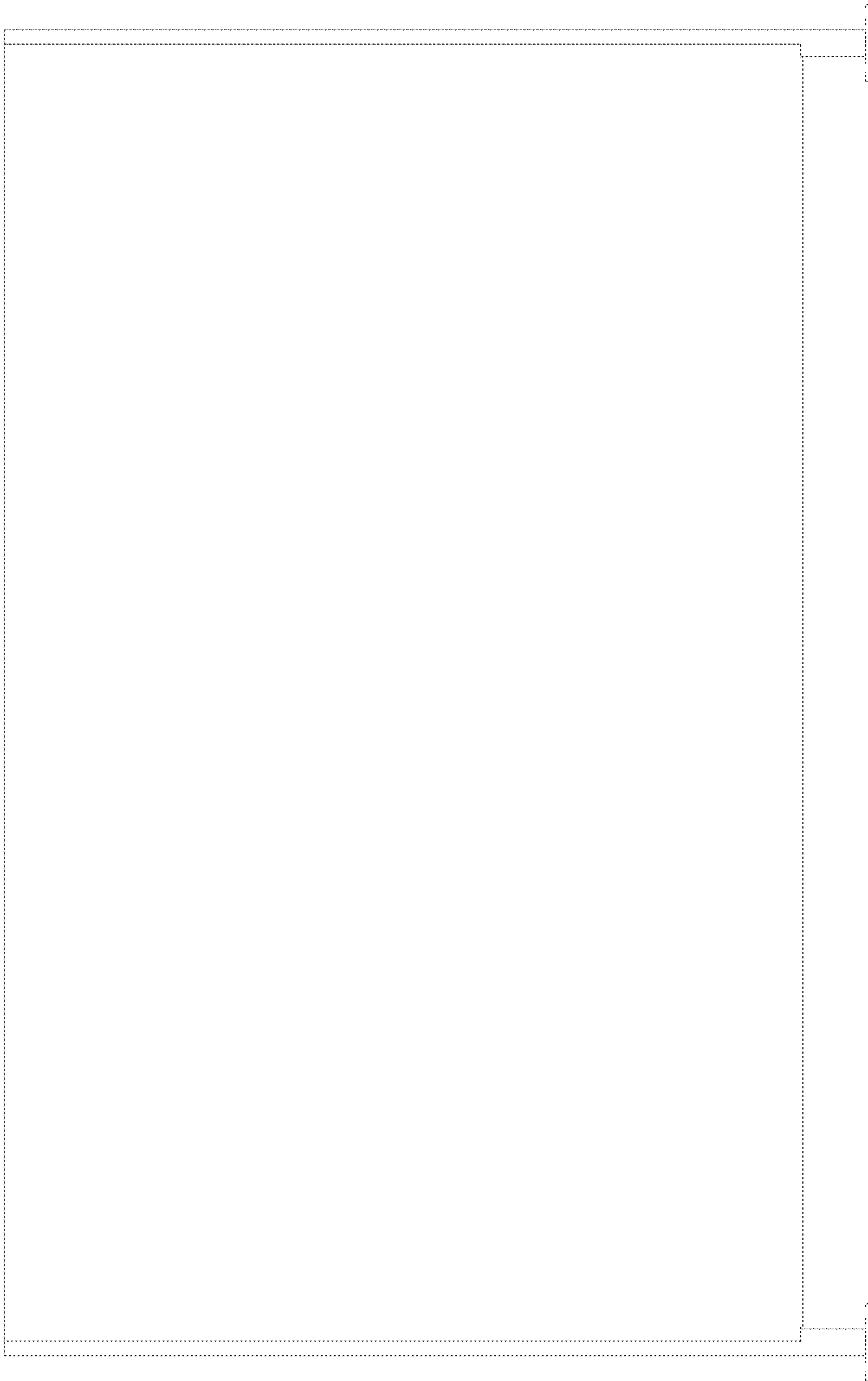
\* cited by examiner



**FIG. 1**



**FIG. 2**



**FIG. 3**

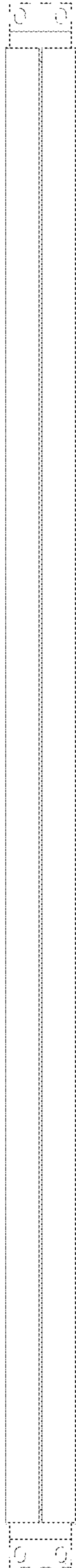


**FIG. 4**

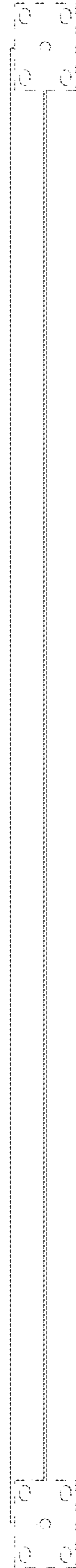


**FIG. 5**





**FIG. 6**

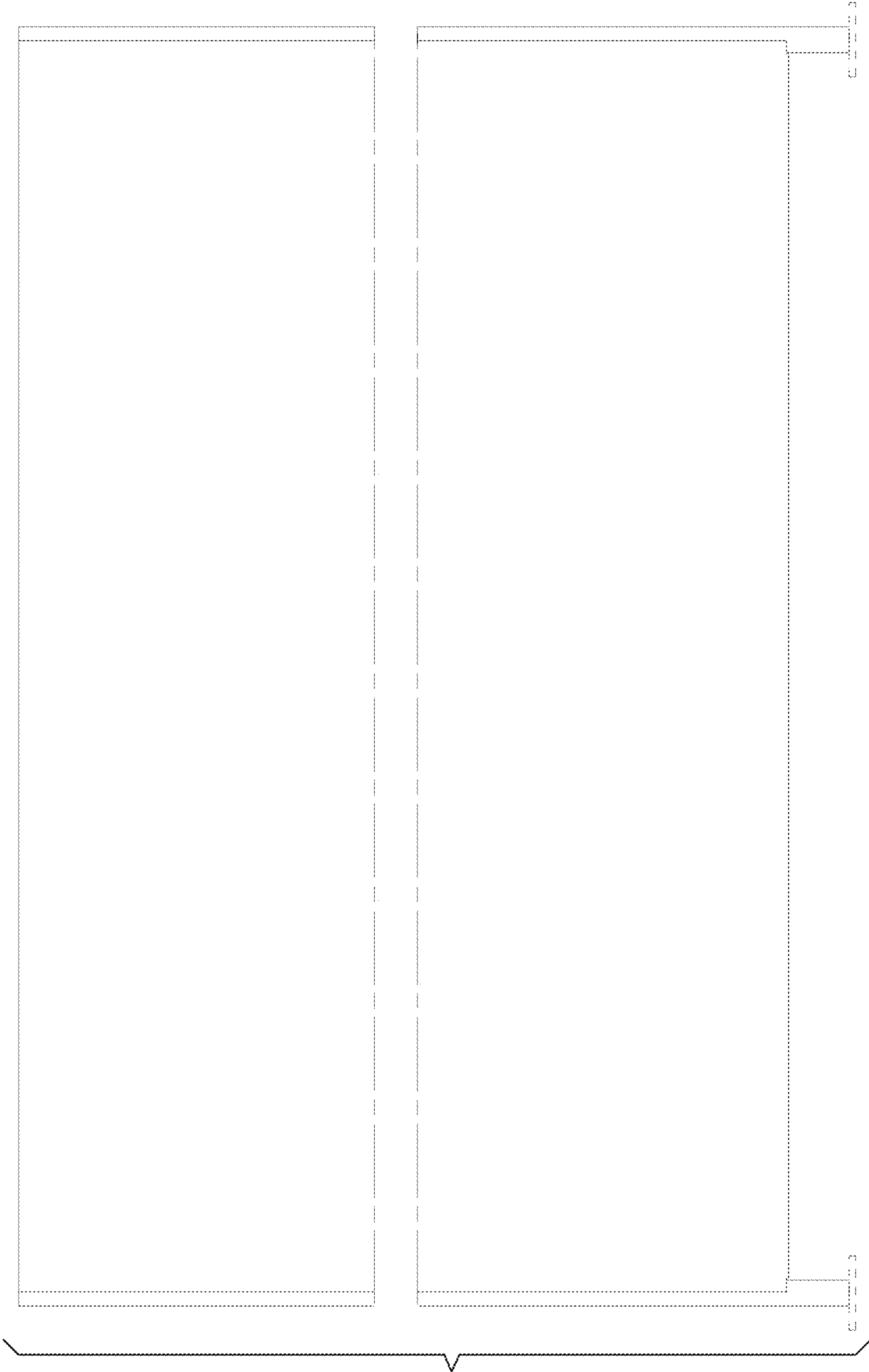


**FIG. 7**



**FIG. 8**





**FIG. 9**