



US00D907798S

(12) **United States Design Patent**  
**Zhu**

(10) **Patent No.:** **US D907,798 S**

(45) **Date of Patent:** **\*\* Jan. 12, 2021**

(54) **BOOTH**

(71) Applicant: **3DS ENGINEERING  
PROCUREMENT CONSTRUCTION  
SUZHOU CO., LTD.**, Suzhou (CN)

(72) Inventor: **Weiwei Zhu**, Kunshan (CN)

(73) Assignee: **3DS ENGINEERING  
PROCUREMENT CONSTRUCTION  
SUZHOU CO., LTD.**, Suzhou (CN)

(\*\*) Term: **15 Years**

(21) Appl. No.: **29/680,530**

(22) Filed: **Feb. 16, 2019**

(30) **Foreign Application Priority Data**

Aug. 24, 2018 (CN) ..... 2018 3 0473875

(51) **LOC (13) Cl.** ..... **25-03**

(52) **U.S. Cl.**  
USPC ..... **D25/16**

(58) **Field of Classification Search**  
USPC ..... D25/1, 3, 4, 7-11, 16, 18-21, 31-35;  
D12/101-105; D6/332, 337, 640-644;  
D16/215; D24/209, 210  
CPC ..... E04H 1/00-1277; E04H 1/14; E04H  
2001/1283-1294

See application file for complete search history.

(56) **References Cited**

**U.S. PATENT DOCUMENTS**

D245,706 S \* 9/1977 McAllister ..... D25/16  
D638,551 S \* 5/2011 Gann ..... D25/16  
D664,667 S \* 7/2012 Krymov ..... D25/16  
D731,077 S \* 6/2015 Lehmann ..... D25/16  
D732,691 S \* 6/2015 Hallfors ..... D25/16  
D732,692 S \* 6/2015 Hallfors ..... D25/16  
D734,491 S \* 7/2015 Krymov ..... D25/16

D736,950 S \* 8/2015 Dar ..... D25/16  
D764,667 S \* 8/2016 Shiue ..... D24/158  
D768,874 S \* 10/2016 Walter ..... D25/16  
D787,704 S \* 5/2017 Walter ..... D25/16  
D788,318 S \* 5/2017 Jennings ..... D25/16  
D844,810 S \* 4/2019 Hallfors ..... D25/16  
D844,812 S \* 4/2019 Zhu ..... D25/16  
D844,819 S \* 4/2019 Zhu ..... D25/16  
D846,147 S \* 4/2019 Zhu ..... D25/16  
D855,827 S \* 8/2019 Zhu ..... D25/16  
D856,529 S \* 8/2019 Mikolajczyk ..... D25/16  
D857,233 S \* 8/2019 Zhu ..... D25/16  
D870,316 S \* 12/2019 Haveri ..... D25/16  
D895,148 S \* 9/2020 Wallinmaa ..... D25/18  
2008/0005974 A1 \* 1/2008 Delgado Vazquez ... E04H 1/125  
52/36.1  
2020/0324515 A1 \* 10/2020 Hallfors ..... B32B 7/12

**OTHER PUBLICATIONS**

Casala Palau Home Phonebooth Duo, 2016 (manufacture year), archiproducts, [https://www.archiproducts.com/en/products/casala/acoustic-phone-booth-palau-home-phonebooth-duo\\_253579](https://www.archiproducts.com/en/products/casala/acoustic-phone-booth-palau-home-phonebooth-duo_253579) (Year: 2016).\*

\* cited by examiner

*Primary Examiner* — Brett Miller

(74) *Attorney, Agent, or Firm* — SZDC Law P.C.

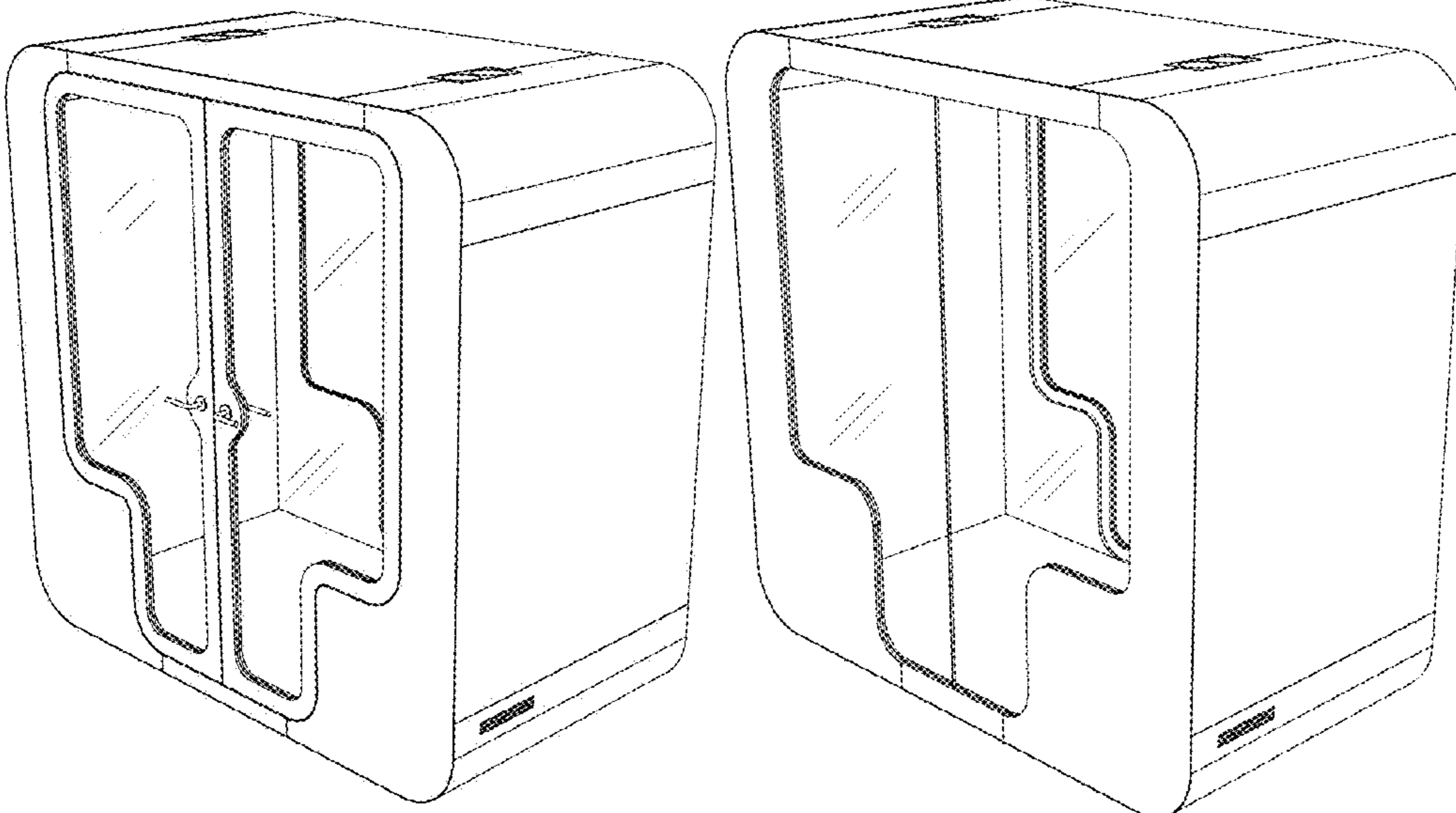
(57) **CLAIM**

The ornamental design for a booth, as shown and described.

**DESCRIPTION**

FIG. 1 is a front perspective view of the booth;  
FIG. 2 is a back perspective view thereof;  
FIG. 3 is a front view thereof;  
FIG. 4 is a back view thereof;  
FIG. 5 is a left view thereof;  
FIG. 6 is a right view thereof; and,  
FIG. 7 is a top view thereof.

**1 Claim, 7 Drawing Sheets**



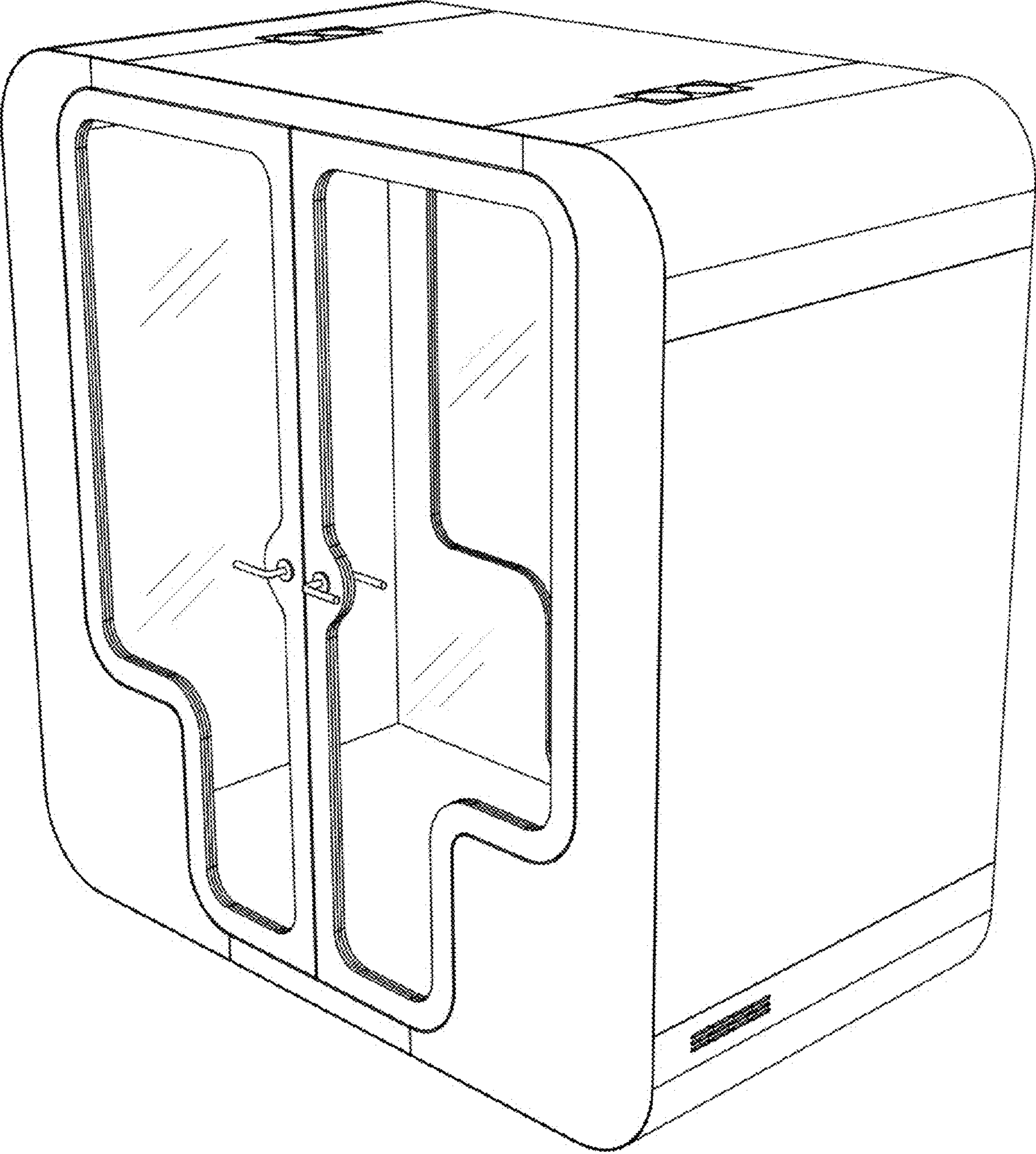


FIG. 1

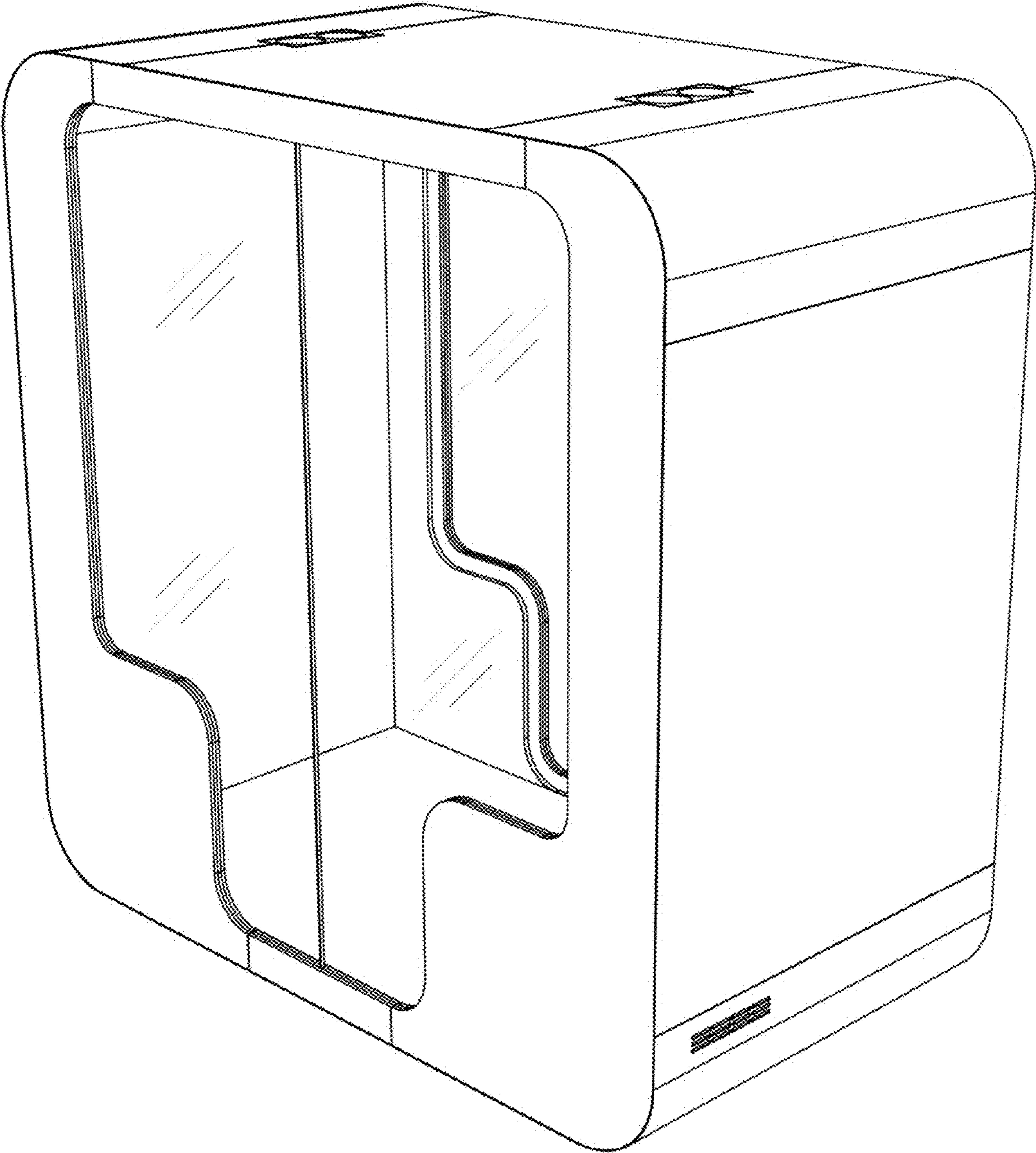


FIG. 2

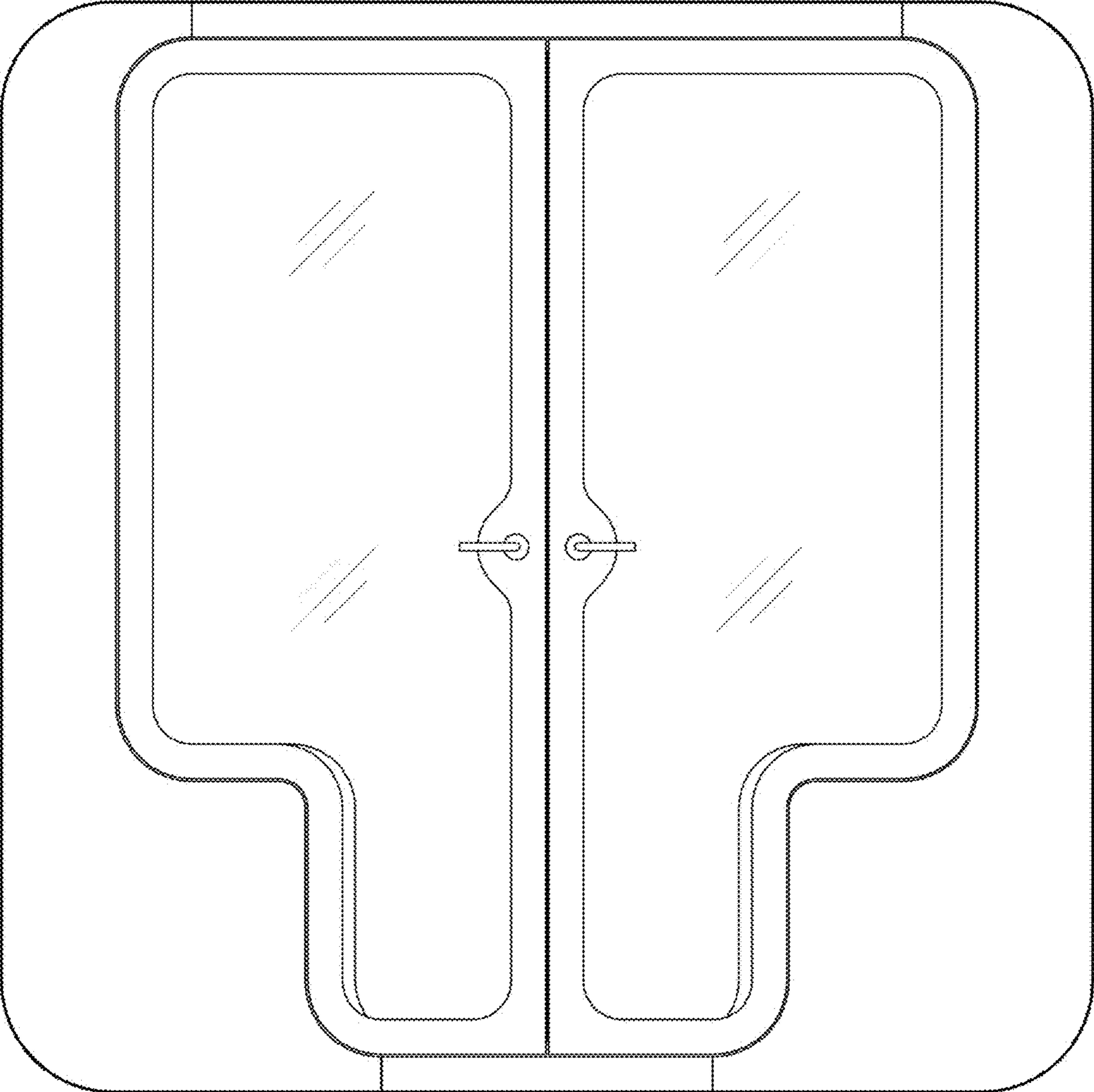


FIG. 3

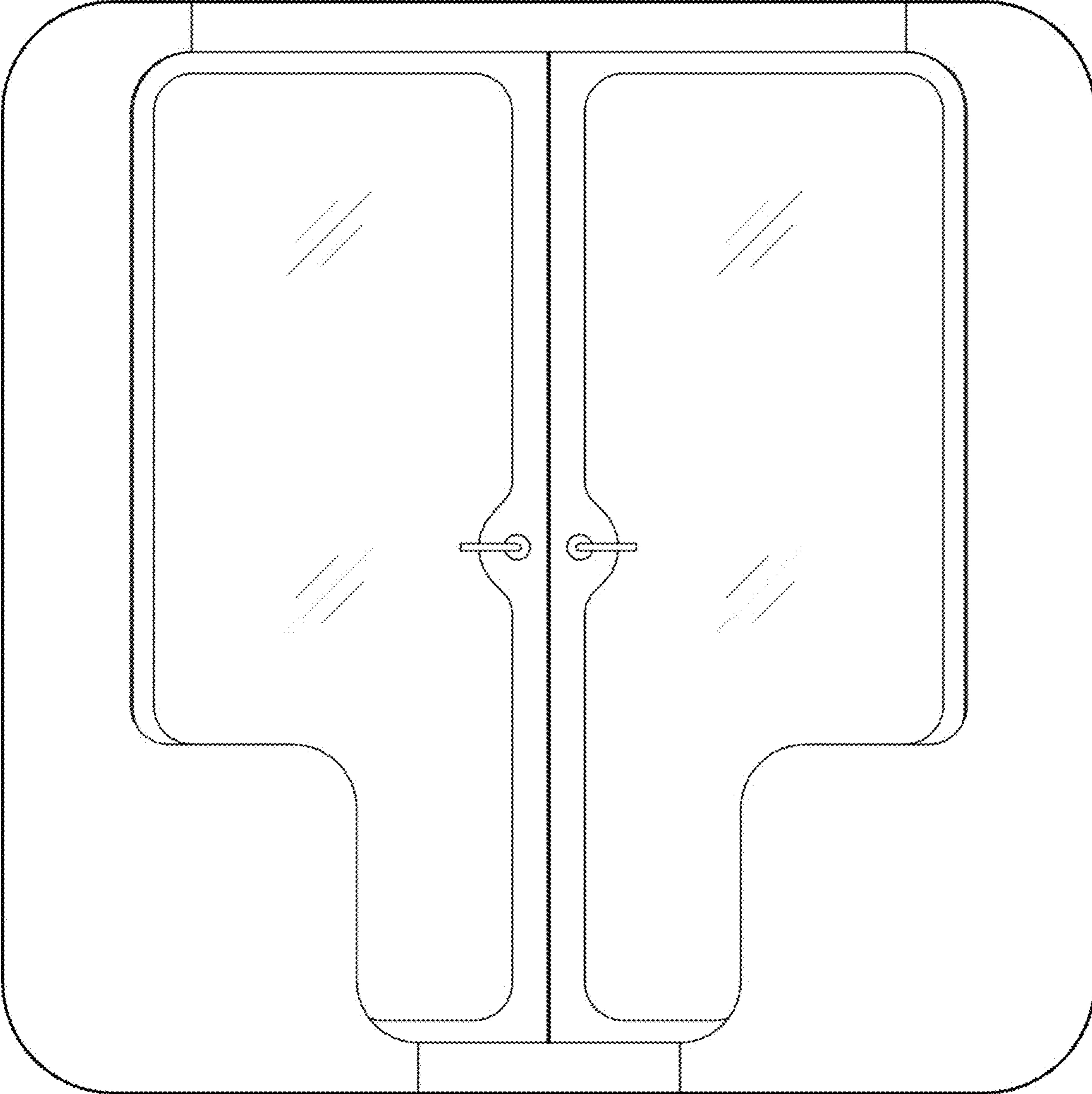


FIG. 4

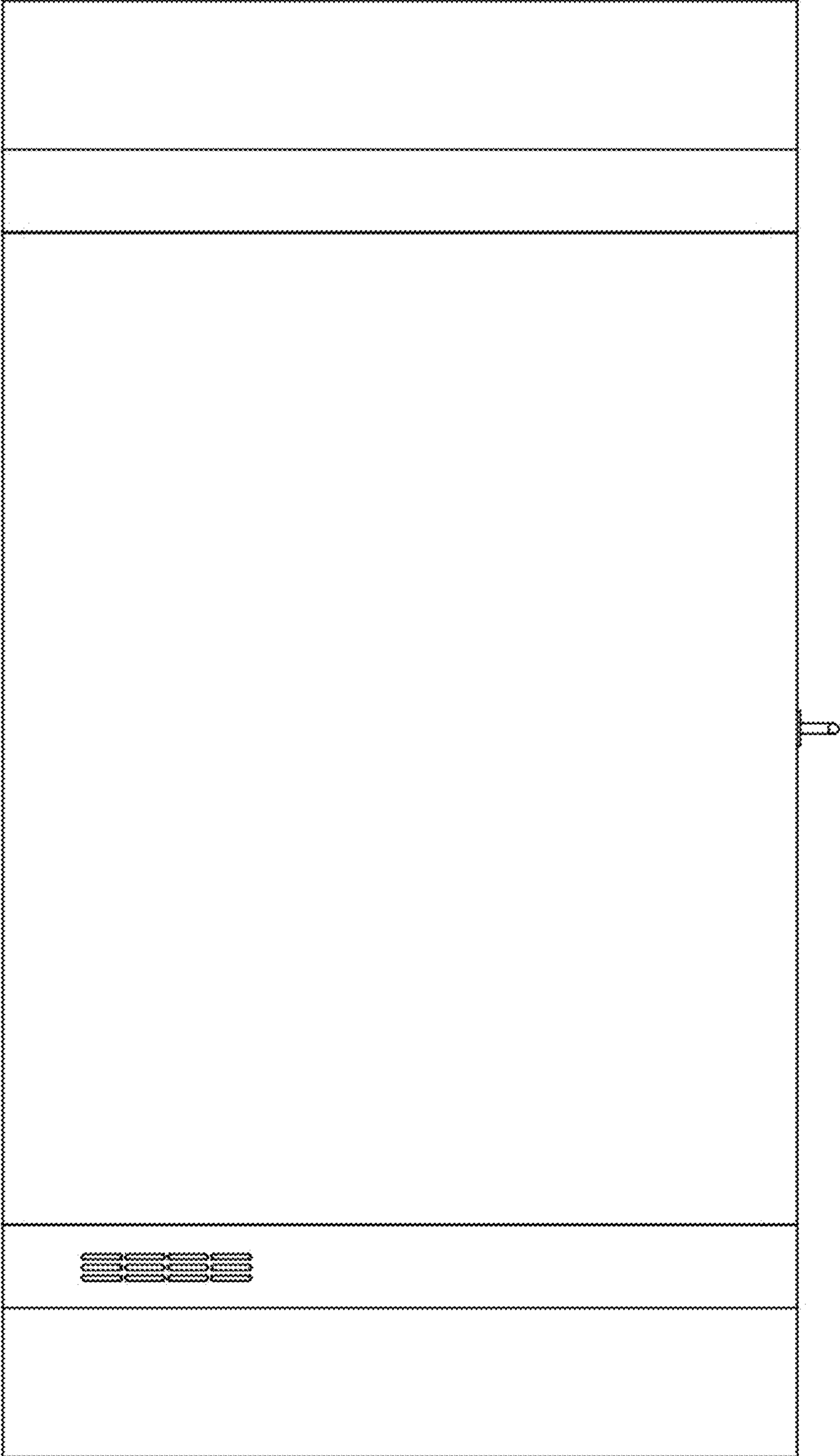


FIG. 5

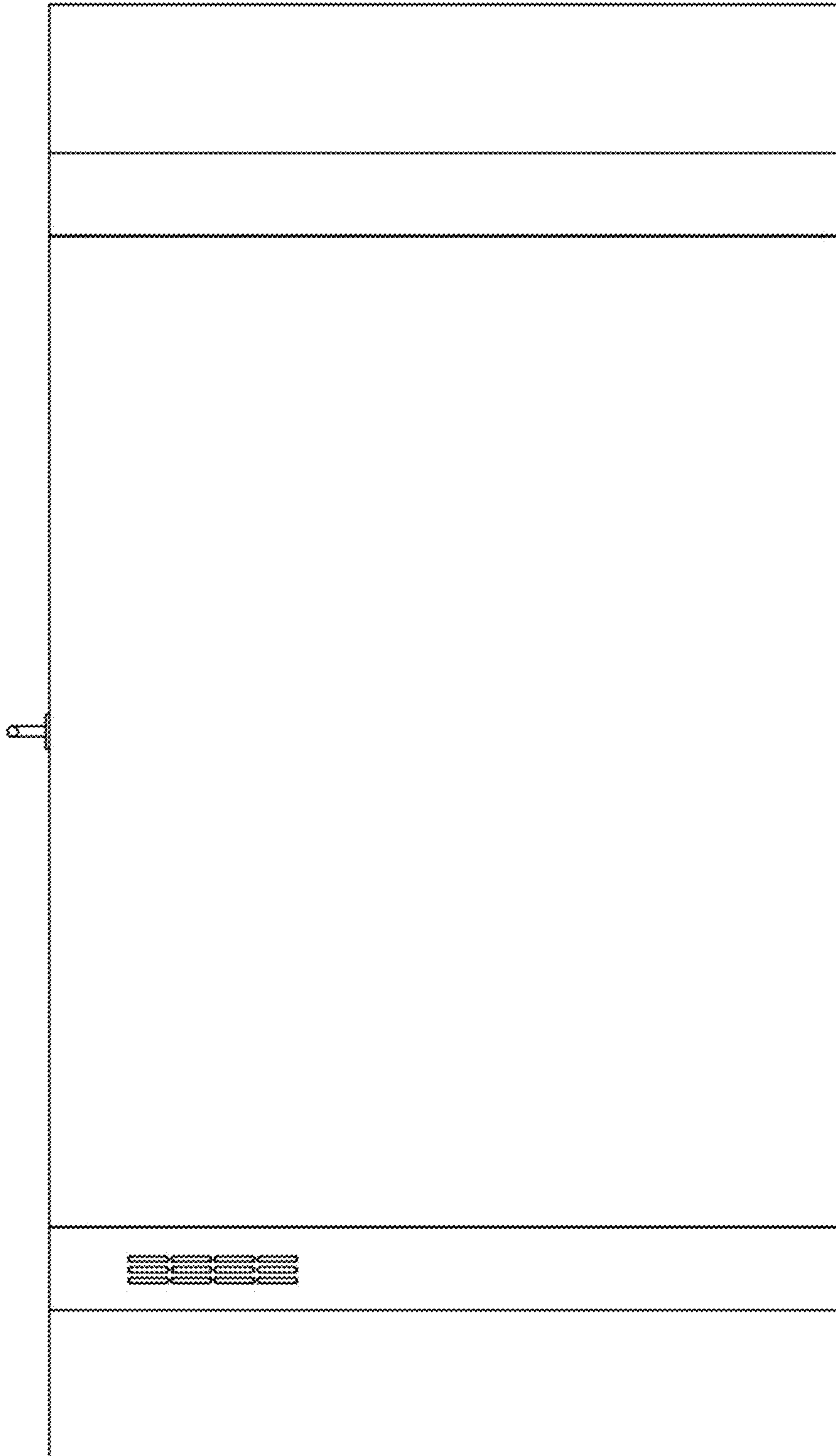


FIG. 6

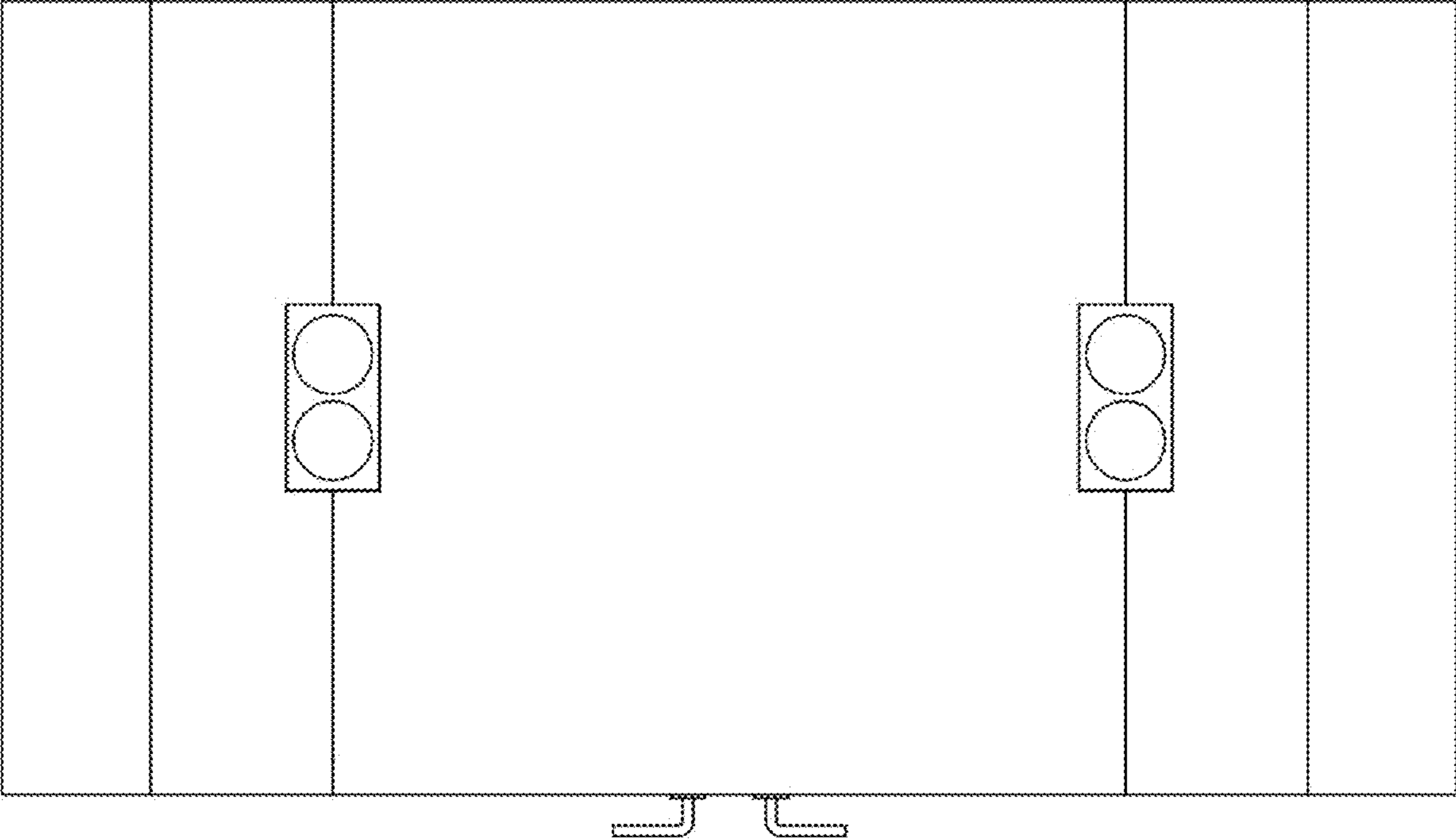


FIG. 7