



US00D907797S

(12) **United States Design Patent**
Zergiebel

(10) **Patent No.:** **US D907,797 S**

(45) **Date of Patent:** **** Jan. 12, 2021**

(54) **REAGENT STRIP**

(71) Applicant: **LIFE TECHNOLOGIES CORPORATION**, Carlsbad, CA (US)

(72) Inventor: **Earl Zergiebel**, Guilford, CT (US)

(73) Assignee: **LIFE TECHNOLOGIES CORPORATION**, Carlsbad, CA (US)

(**) Term: **15 Years**

(21) Appl. No.: **29/695,503**

(22) Filed: **Jun. 19, 2019**

(51) **LOC (13) Cl.** **24-02**

(52) **U.S. Cl.**
USPC **D24/224**

(58) **Field of Classification Search**
USPC D24/107, 169, 186, 216, 223-230, 121,
D24/217; D9/756-758; D3/294, 295
CPC B01L 3/502; B01L 3/545; B01L 3/50851
See application file for complete search history.

(56) **References Cited**

U.S. PATENT DOCUMENTS

D618,820 S *	6/2010	Wilson	D24/227
D637,737 S *	5/2011	Wilson	D24/230
D638,953 S *	5/2011	Cavada	D24/224
D665,095 S *	8/2012	Wilson	D24/227
D672,881 S *	12/2012	Kraihanzel	D24/224
D672,882 S *	12/2012	Wiltsie	D24/224
D792,981 S *	7/2017	Tajima	D24/224
D822,225 S *	7/2018	Moon	D24/224
D825,774 S *	8/2018	Self	D24/224

D827,149 S *	8/2018	Self	D24/224
D848,638 S *	5/2019	Sims	D24/226
D854,707 S *	7/2019	Jakobsen	D24/230
D862,724 S *	10/2019	Sims	D24/224
D875,272 S *	2/2020	Muller	D24/224
2009/0129978 A1*	5/2009	Wilson	C07H 1/08 422/400
2013/0029343 A1*	1/2013	Day	B01L 3/50851 435/6.12

FOREIGN PATENT DOCUMENTS

JP D2012-736 * 1/2012

* cited by examiner

Primary Examiner — Susan Bennett Hattan

Assistant Examiner — Omeed Agilee

(57) **CLAIM**

The ornamental design for a reagent strip, as shown and described.

DESCRIPTION

FIG. 1 is a perspective view of a reagent strip showing the new design;

FIG. 2 is another perspective view thereof;

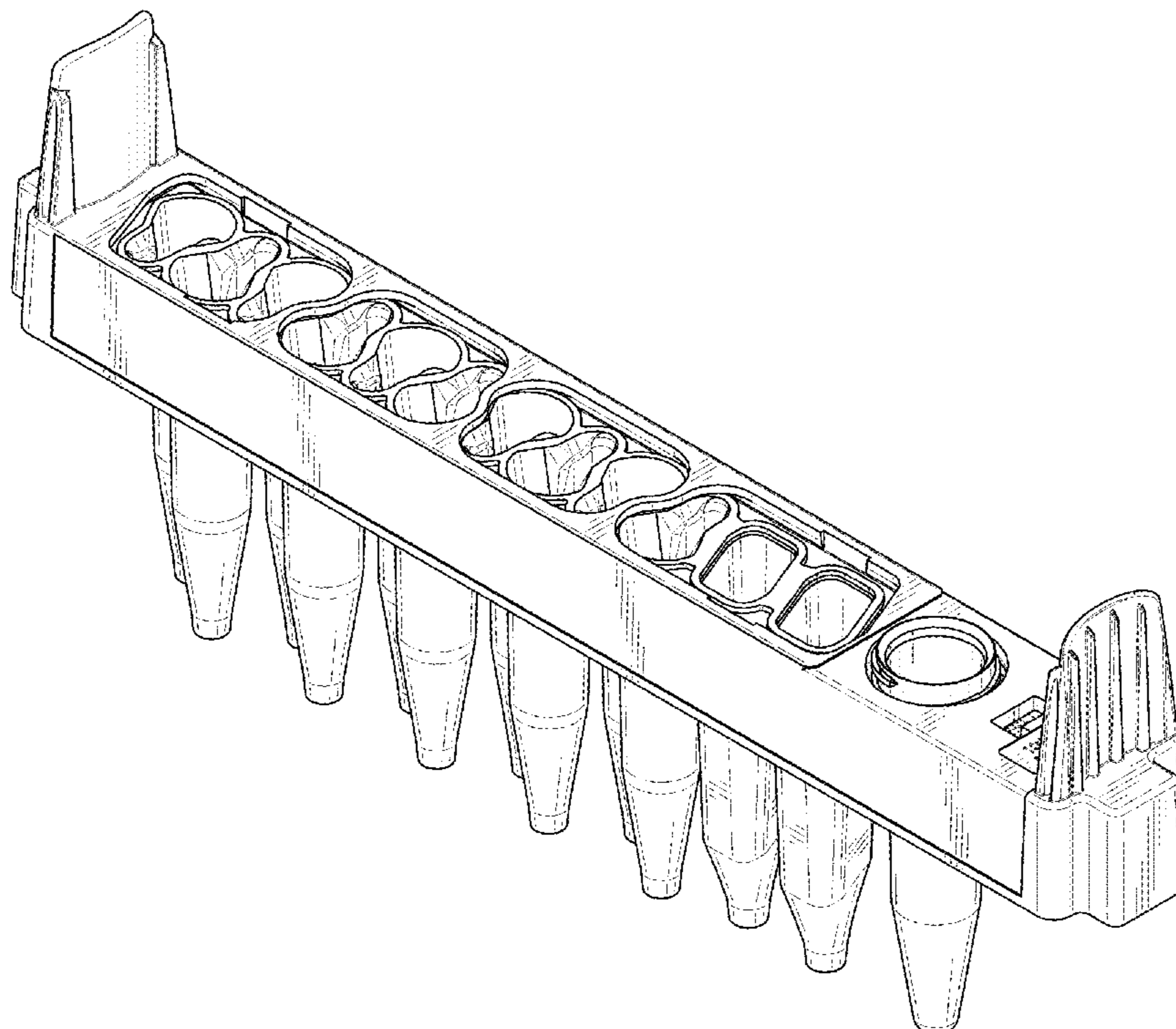
FIG. 3, FIG. 4, FIG. 5, and FIG. 6 are side views thereof;

FIG. 7 is a top view thereof; and,

FIG. 8 is a bottom view thereof.

The broken lines, the areas within them, and the unshaded areas bounded by both broken and solid lines depict portions of the reagent strip that form no part of the claimed design.

1 Claim, 8 Drawing Sheets



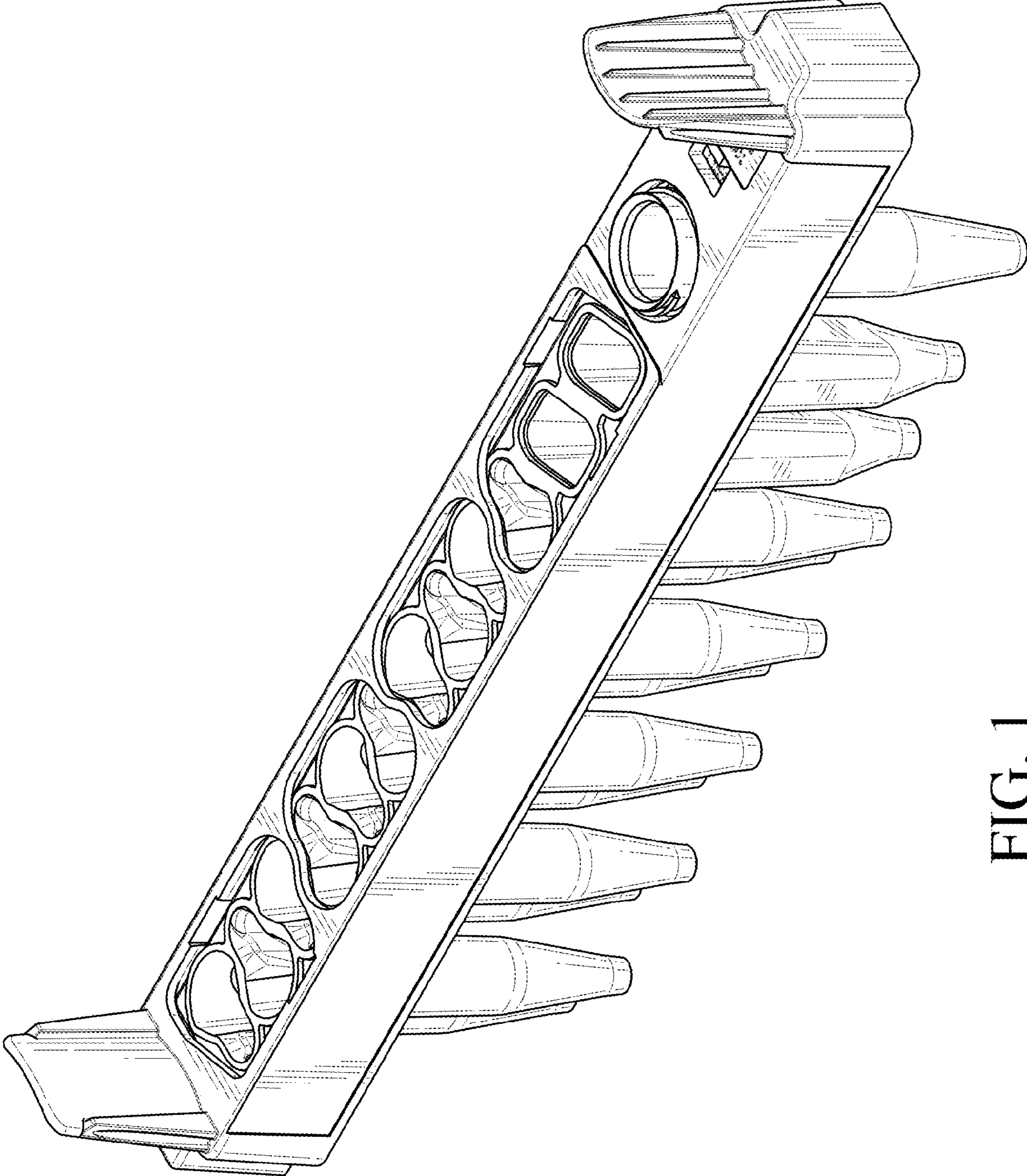


FIG. 1

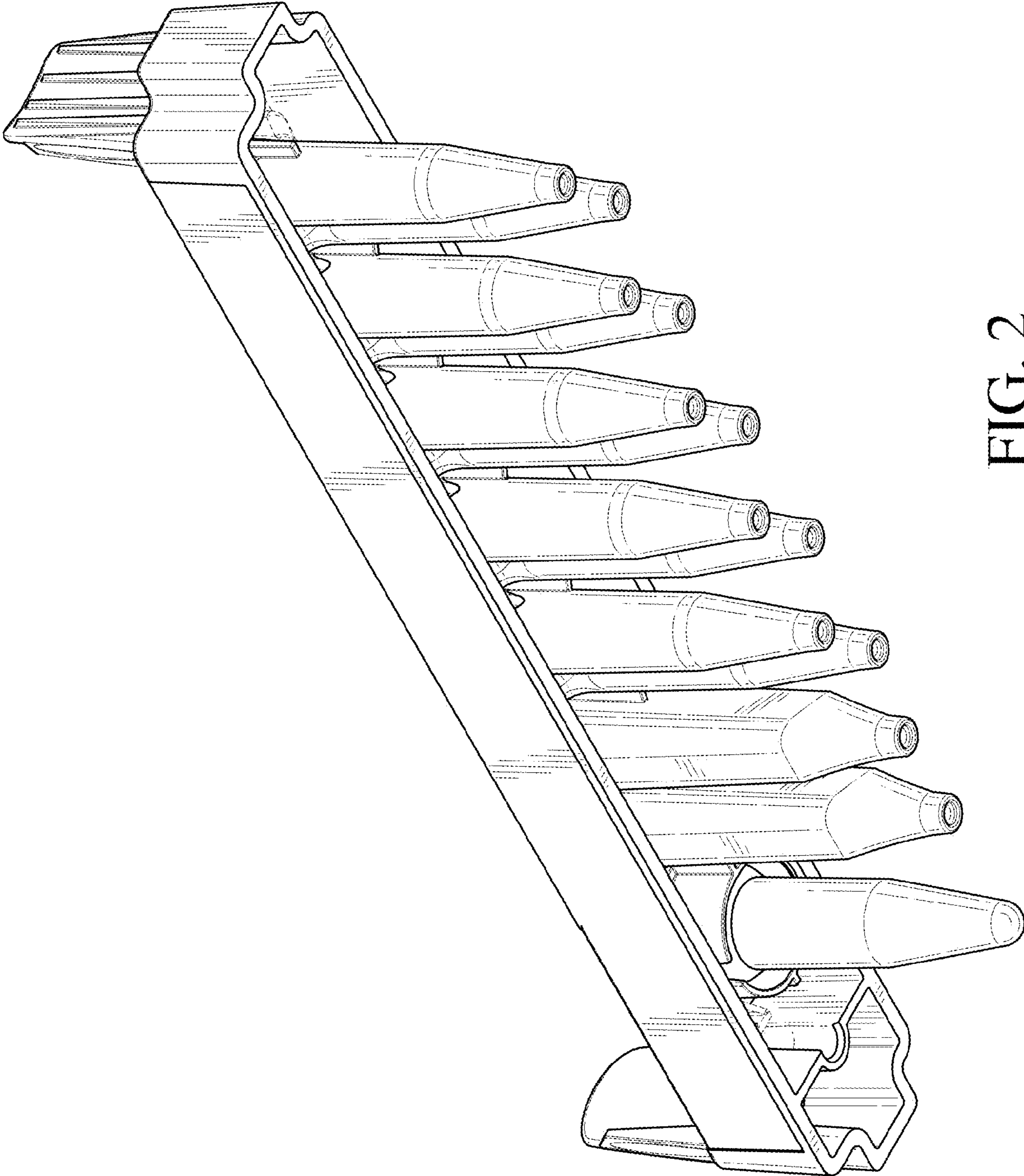


FIG. 2

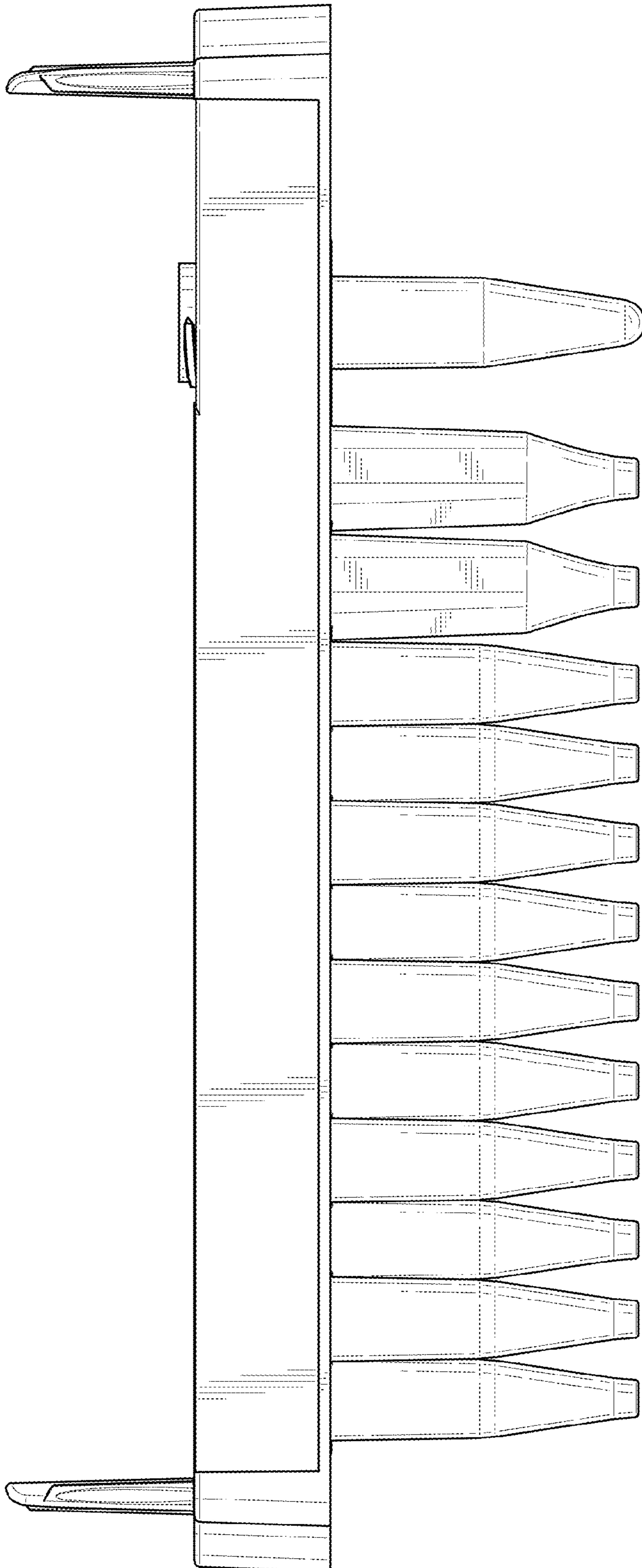


FIG. 3

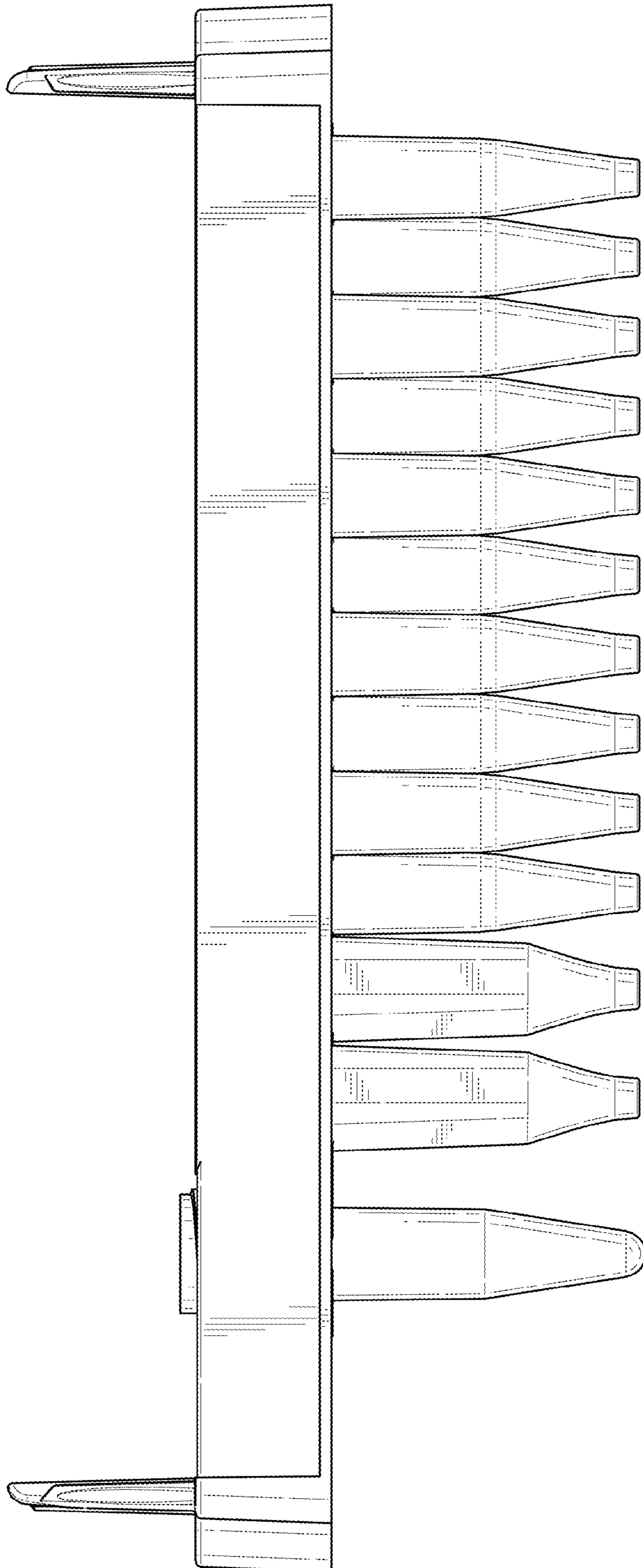


FIG. 4

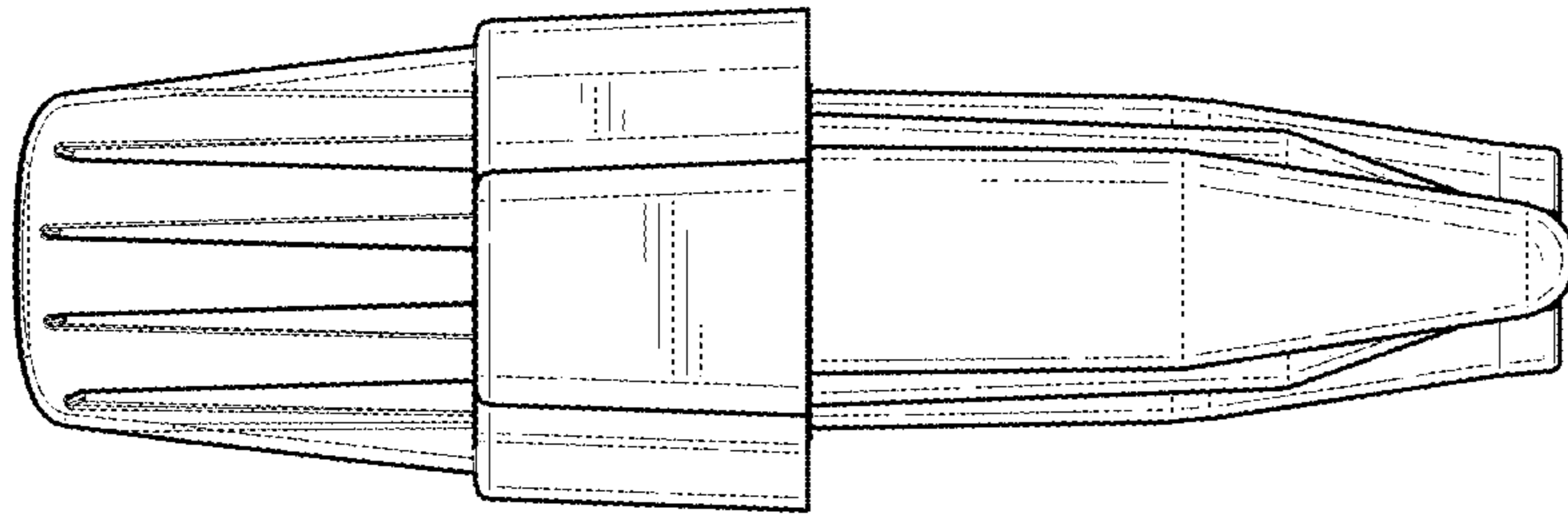


FIG. 5

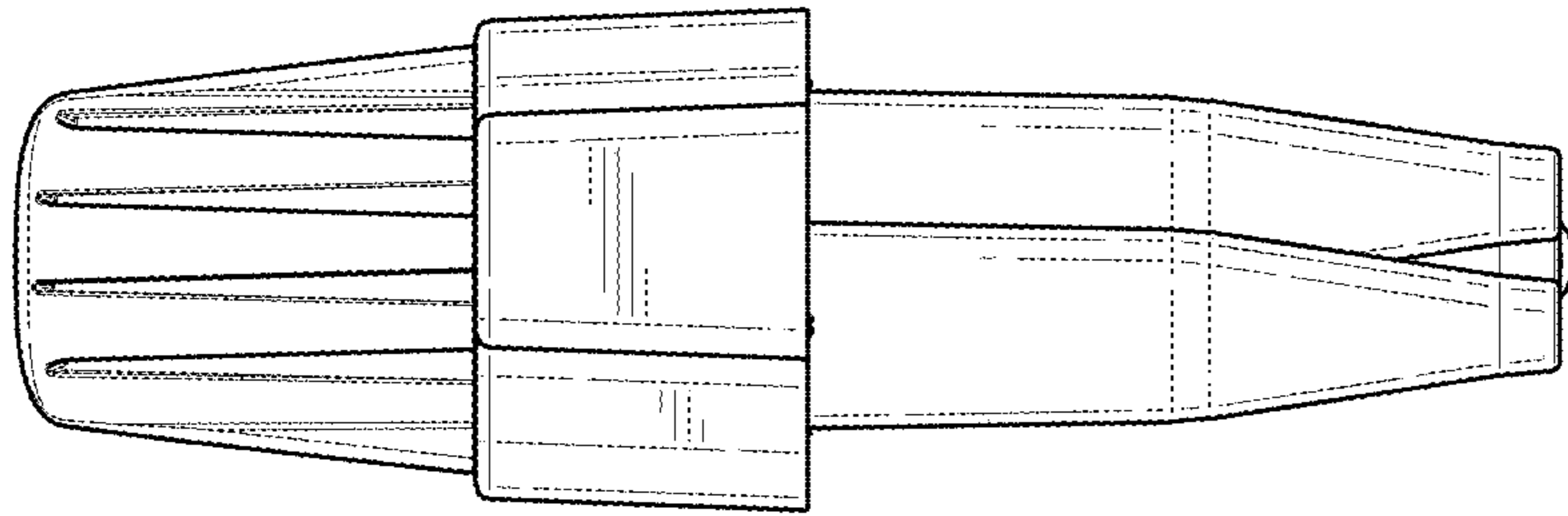


FIG. 6

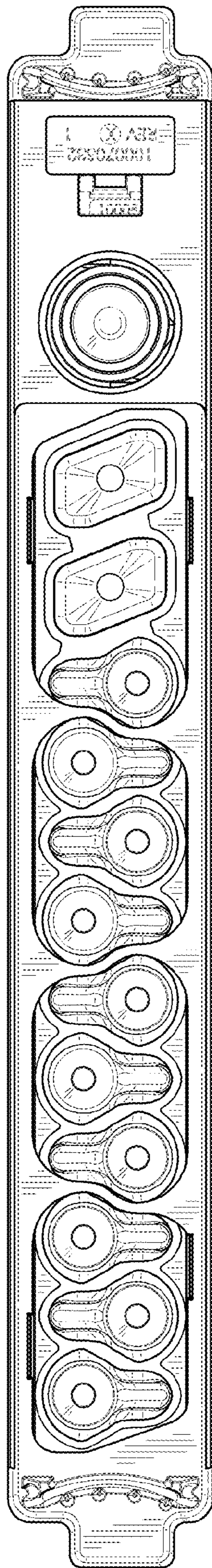


FIG. 7

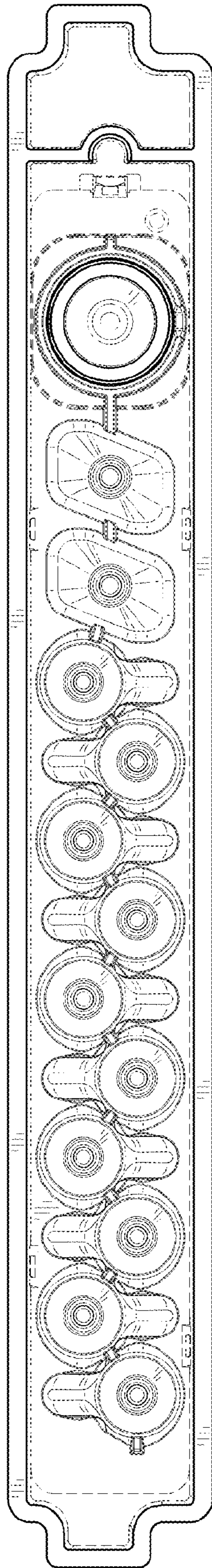


FIG. 8