



US00D907796S

(12) **United States Design Patent** (10) **Patent No.:** **US D907,796 S**  
**Allard et al.** (45) **Date of Patent:** **\*\* Jan. 12, 2021**

(54) **CENTRIFUGE**  
(71) Applicant: **ABC Med Tech Corporation**, Golden, CO (US)  
(72) Inventors: **Randall Allard**, Golden, CO (US); **Polly Allard**, Golden, CO (US); **Greg Marik**, Germantown, TN (US)  
(73) Assignee: **ABC Med Tech Corporation**, Golden, CO (US)

2020/0289738 A1\* 9/2020 Allard ..... B04B 7/02  
2020/0306769 A1\* 10/2020 Piramoon ..... B04B 7/02

\* cited by examiner

*Primary Examiner* — Anhdao Doan  
(74) *Attorney, Agent, or Firm* — BrainSpark Associates, LLC

(57) **CLAIM**

The ornamental design for a centrifuge, as shown and described.

**DESCRIPTION**

(\*\*) Term: **15 Years**  
(21) Appl. No.: **29/722,420**  
(22) Filed: **Jan. 29, 2020**  
(51) **LOC (13) Cl.** ..... **24-01**  
(52) **U.S. Cl.**  
USPC ..... **D24/219**  
(58) **Field of Classification Search**  
USPC ..... D24/107, 185, 186, 216–219, 231–234;  
D10/81; D15/147  
CPC ..... G01N 9/30; G01N 15/042; G01N 33/491;  
B04B 7/02; B04B 15/02  
See application file for complete search history.

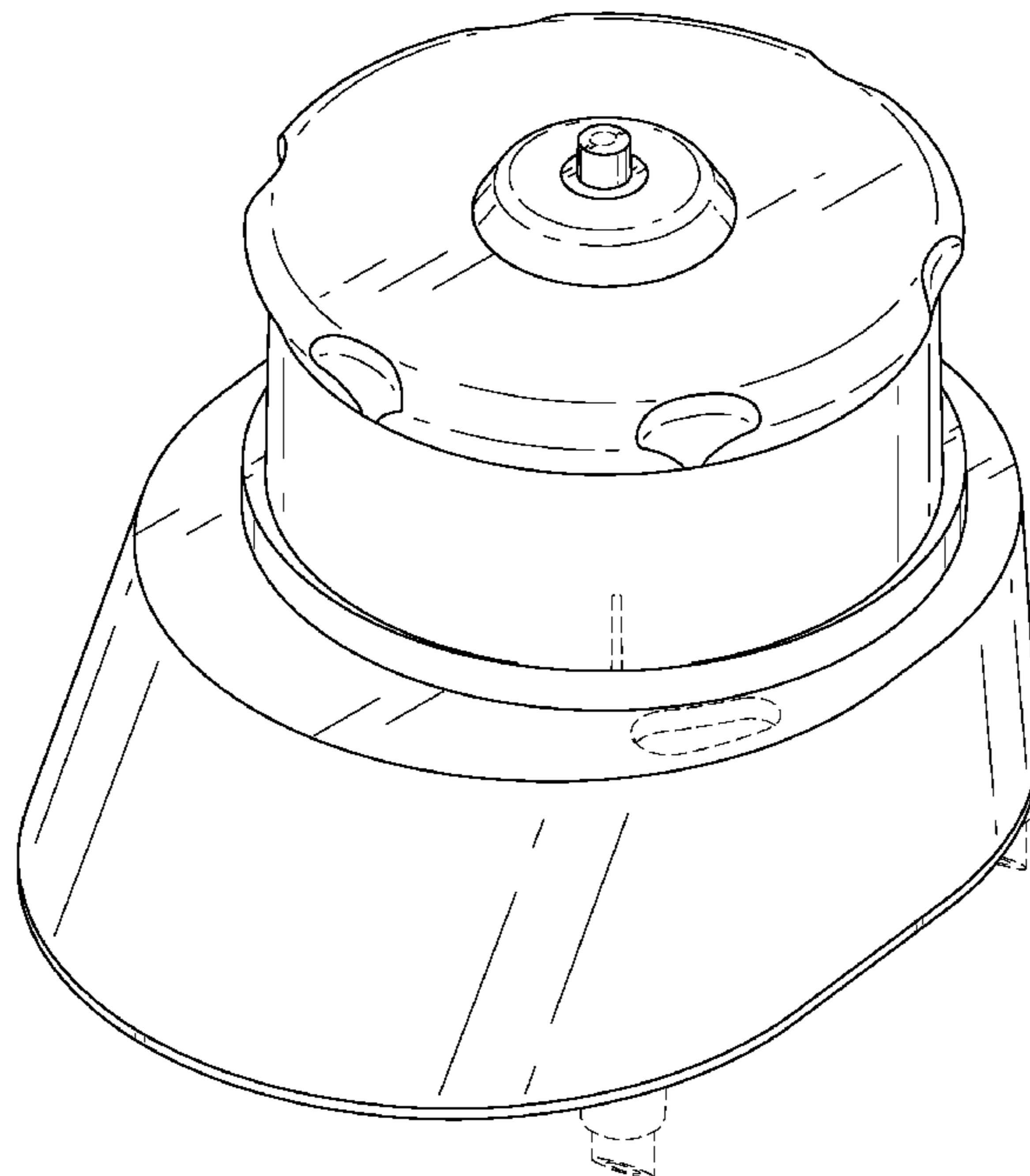
FIG. 1 is a front, top perspective view of a centrifuge comprising the new design;  
FIG. 2 is a back, bottom perspective view of the design of FIG. 1;  
FIG. 3 is a front elevational view of the design of FIG. 1;  
FIG. 4 is a back elevational view of the design of FIG. 1;  
FIG. 5 is a left elevational view of the design of FIG. 1;  
FIG. 6 is a right elevational view of the design of FIG. 1;  
FIG. 7 is a top view of the design of FIG. 1;  
FIG. 8 is a bottom view of the design of FIG. 1;  
FIG. 9 is a front, top perspective view of an alternative embodiment of the centrifuge of FIG. 1;  
FIG. 10 is a back, bottom perspective view of the design of FIG. 9;  
FIG. 11 is a front elevational view of the design of FIG. 9;  
FIG. 12 is a back elevational view of the design of FIG. 9;  
FIG. 13 is a left elevational view of the design of FIG. 9;  
FIG. 14 is a right elevational view of the design of FIG. 9;  
FIG. 15 is a top view of the design of FIG. 9; and,  
FIG. 16 is a bottom view of the design of FIG. 9.  
The broken lines depict portions of the centrifuge that form no part of the claimed design; the broken lines form no part of the claimed design.

(56) **References Cited**

U.S. PATENT DOCUMENTS

D303,147 S *	8/1989	Ota	.....	D24/219
D343,904 S *	2/1994	Silver	.....	D24/219
D437,418 S *	2/2001	Suzuki	.....	D24/219
D663,041 S *	7/2012	Henssler	.....	D24/219
D690,825 S *	10/2013	Sauro	.....	D24/219
D701,615 S *	3/2014	Pluska	.....	D24/220
D734,489 S *	7/2015	Henderson	.....	D24/219
D833,638 S *	11/2018	Tominaga	.....	D24/219

**1 Claim, 16 Drawing Sheets**



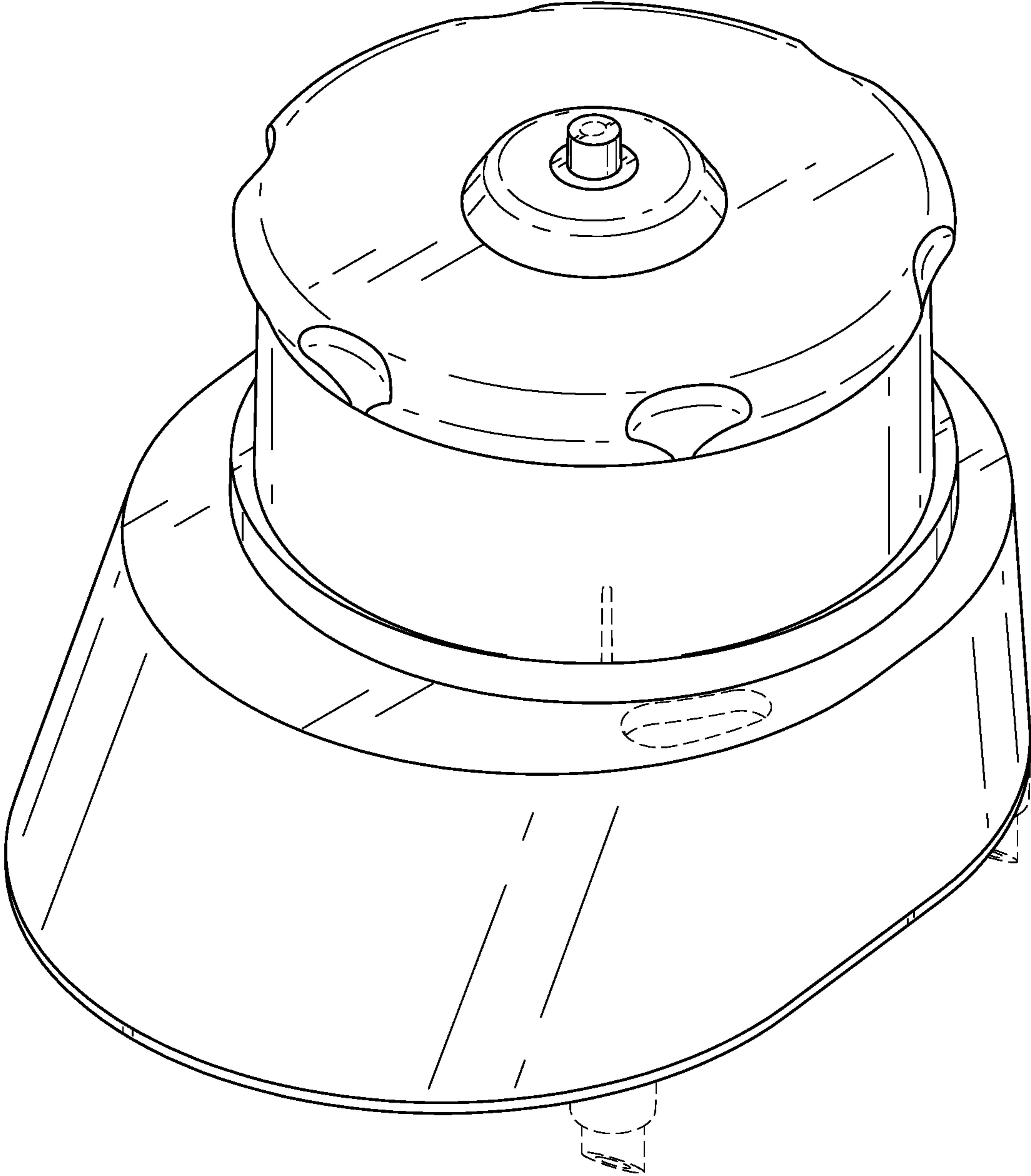


FIG. 1

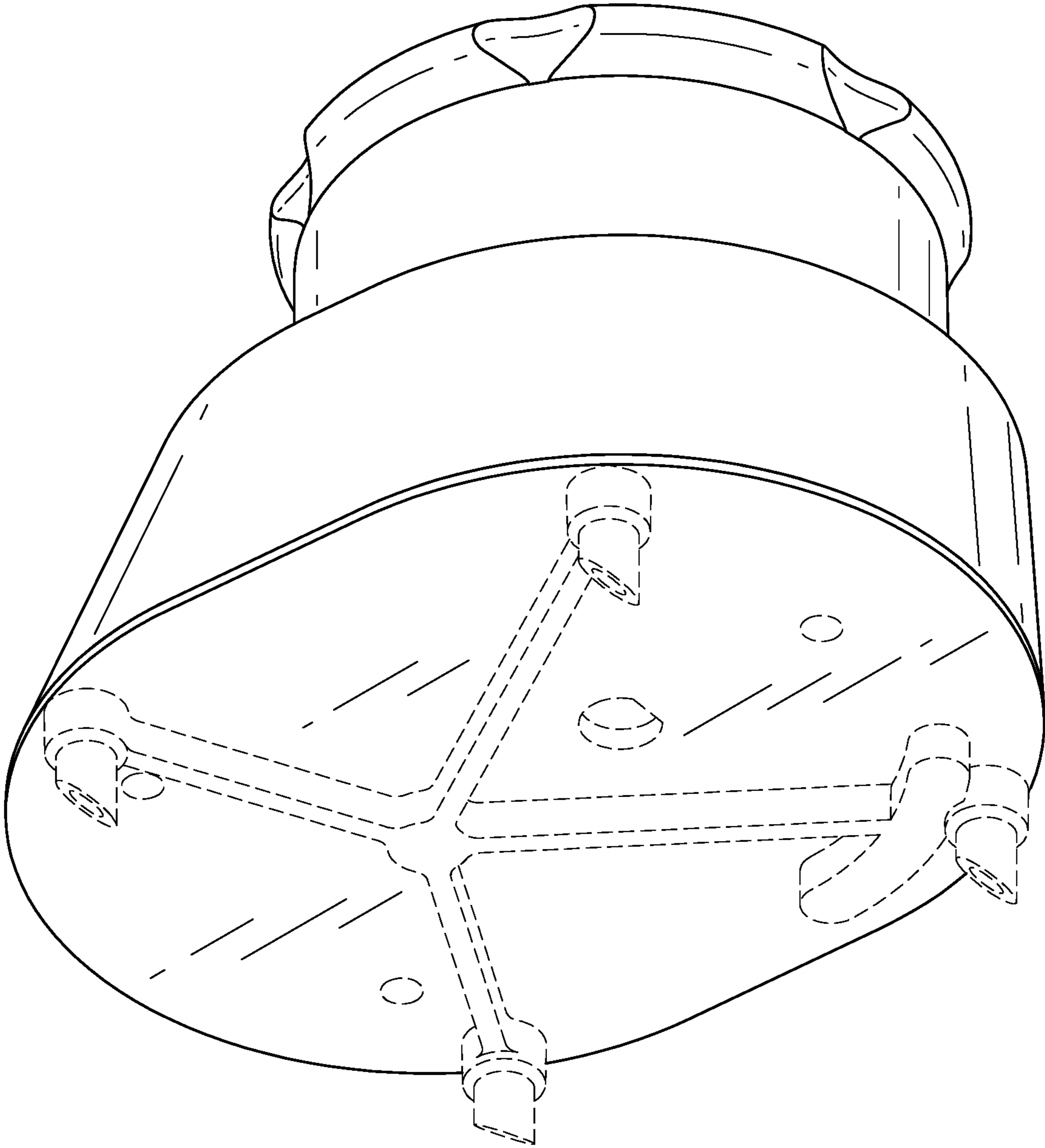


FIG. 2

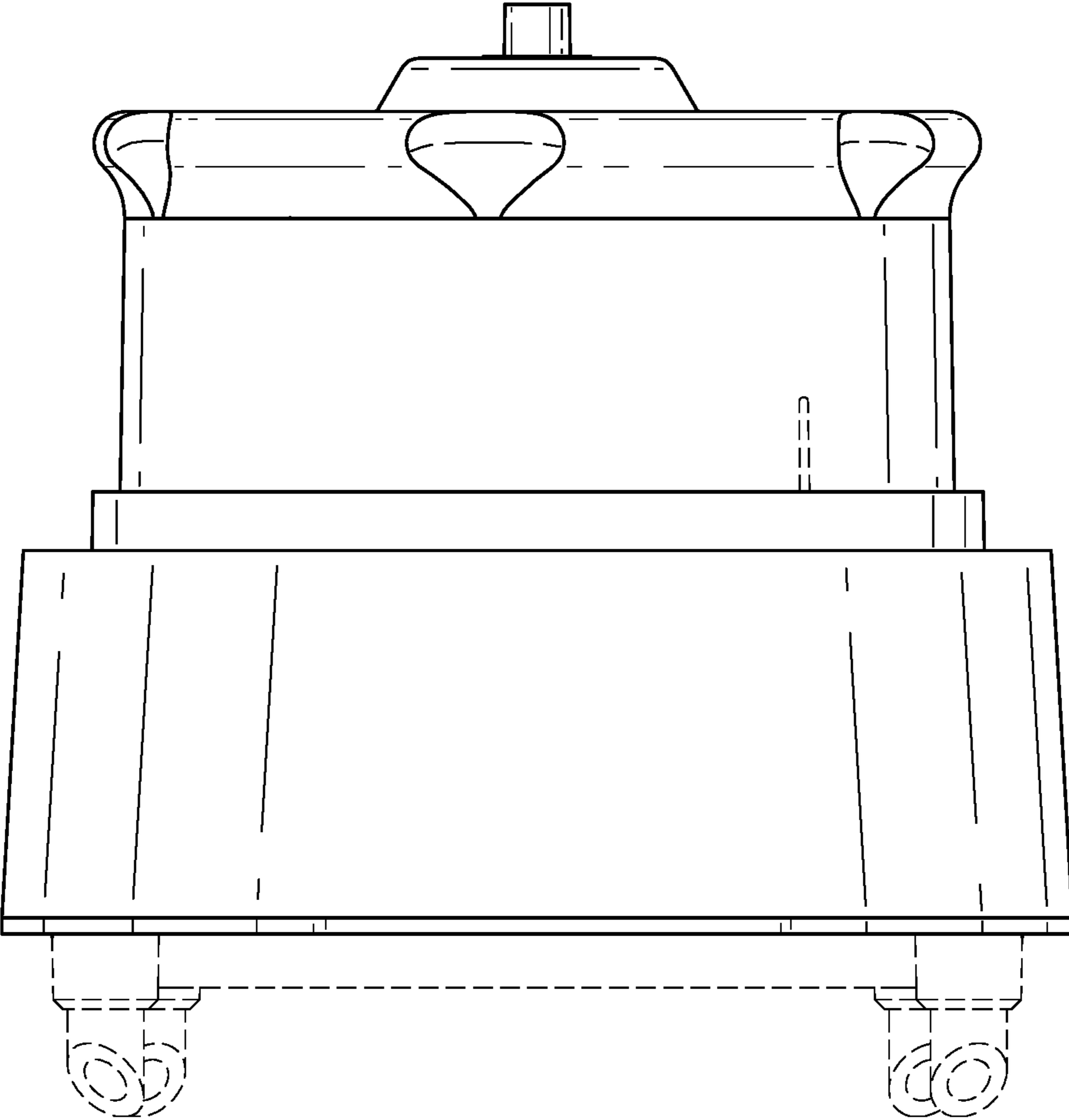


FIG. 3

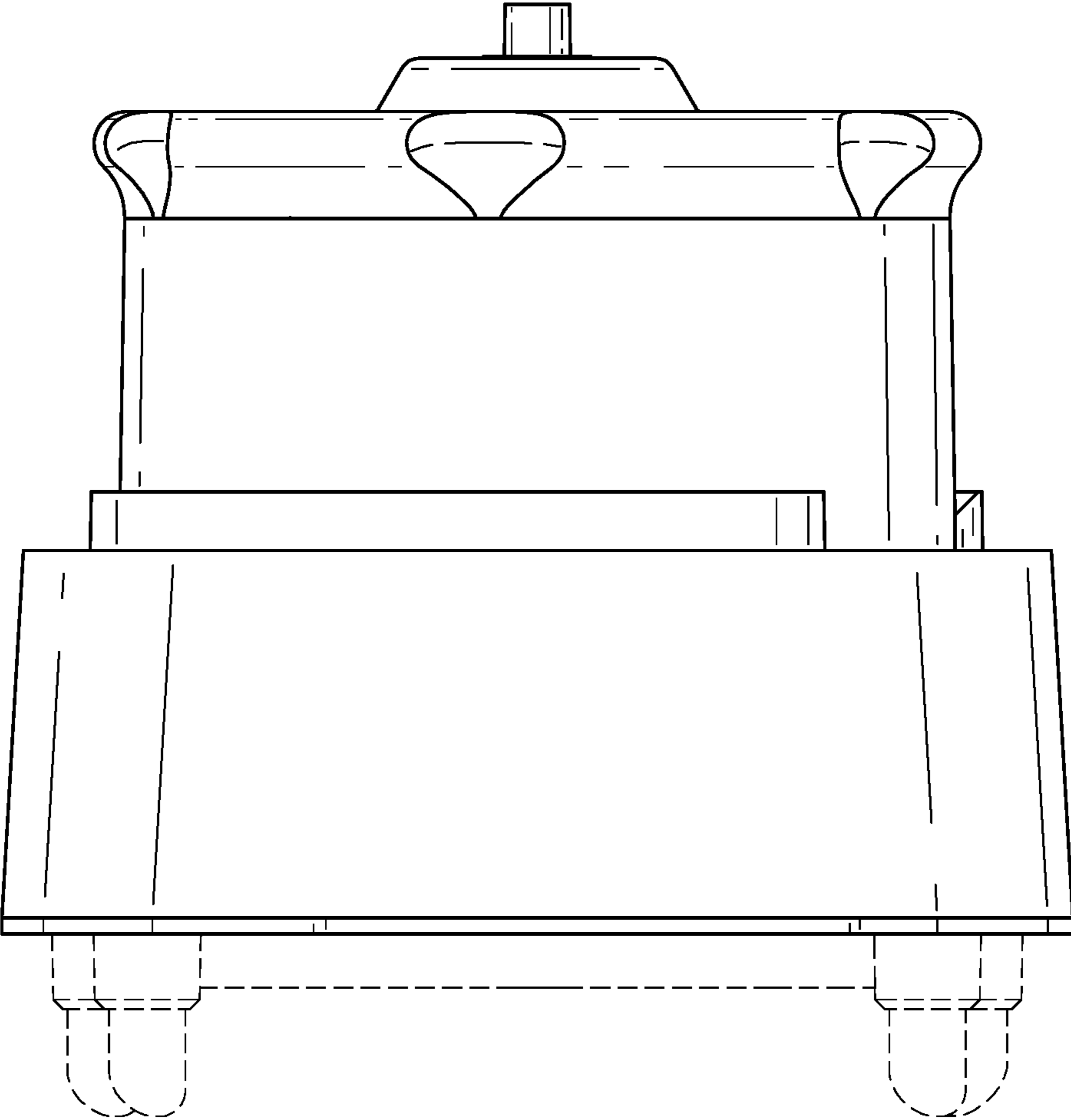


FIG. 4

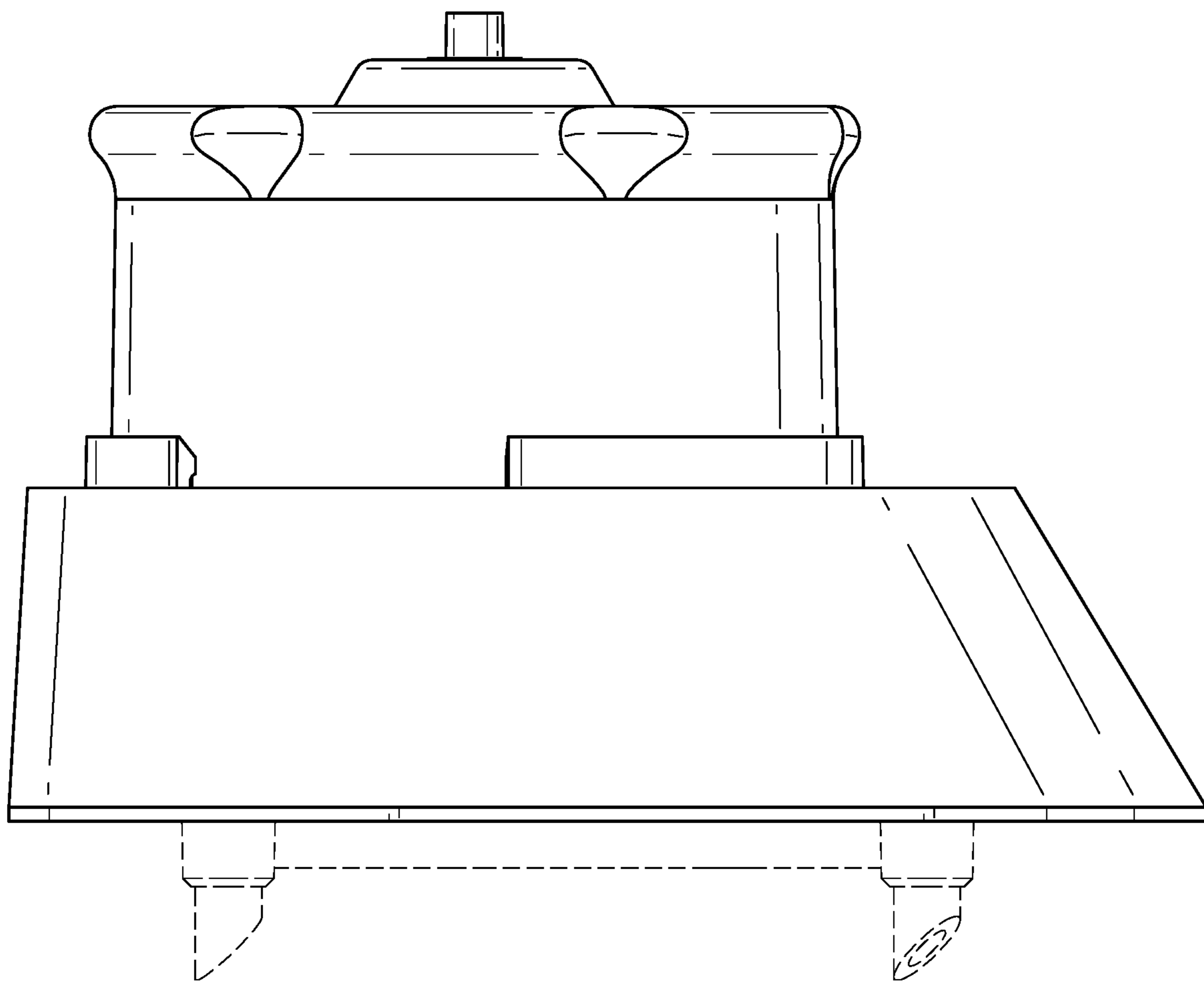


FIG. 5

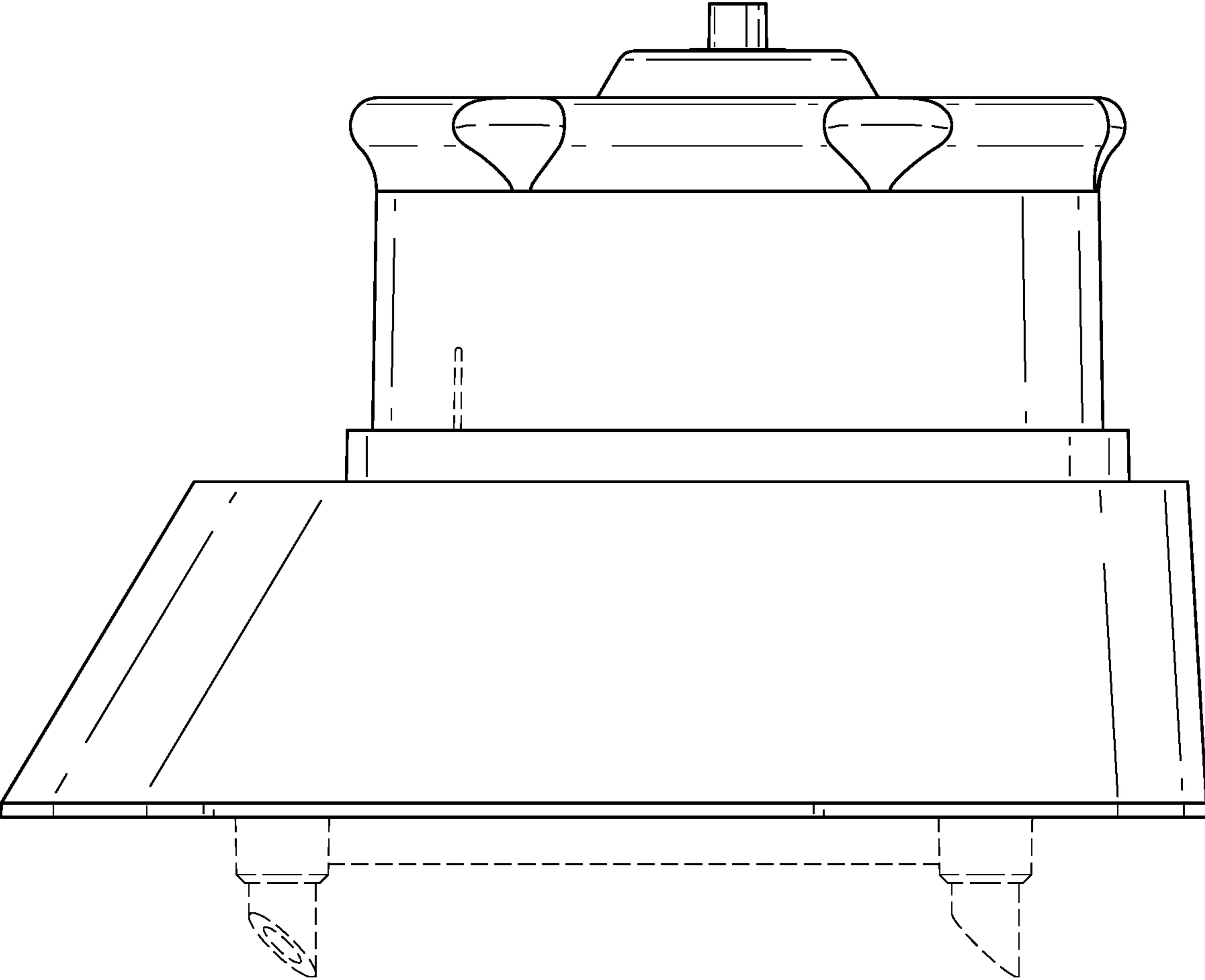


FIG. 6

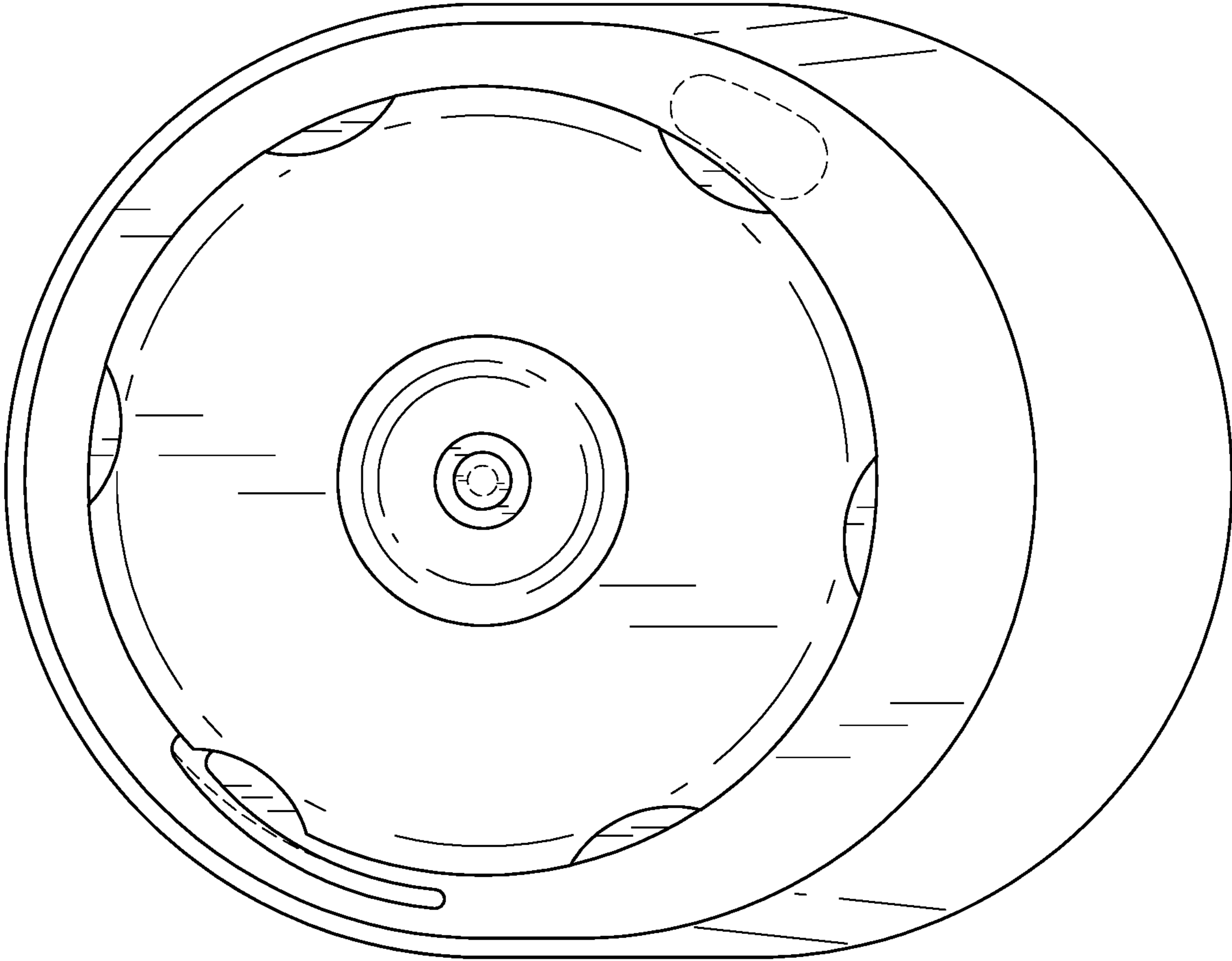


FIG. 7



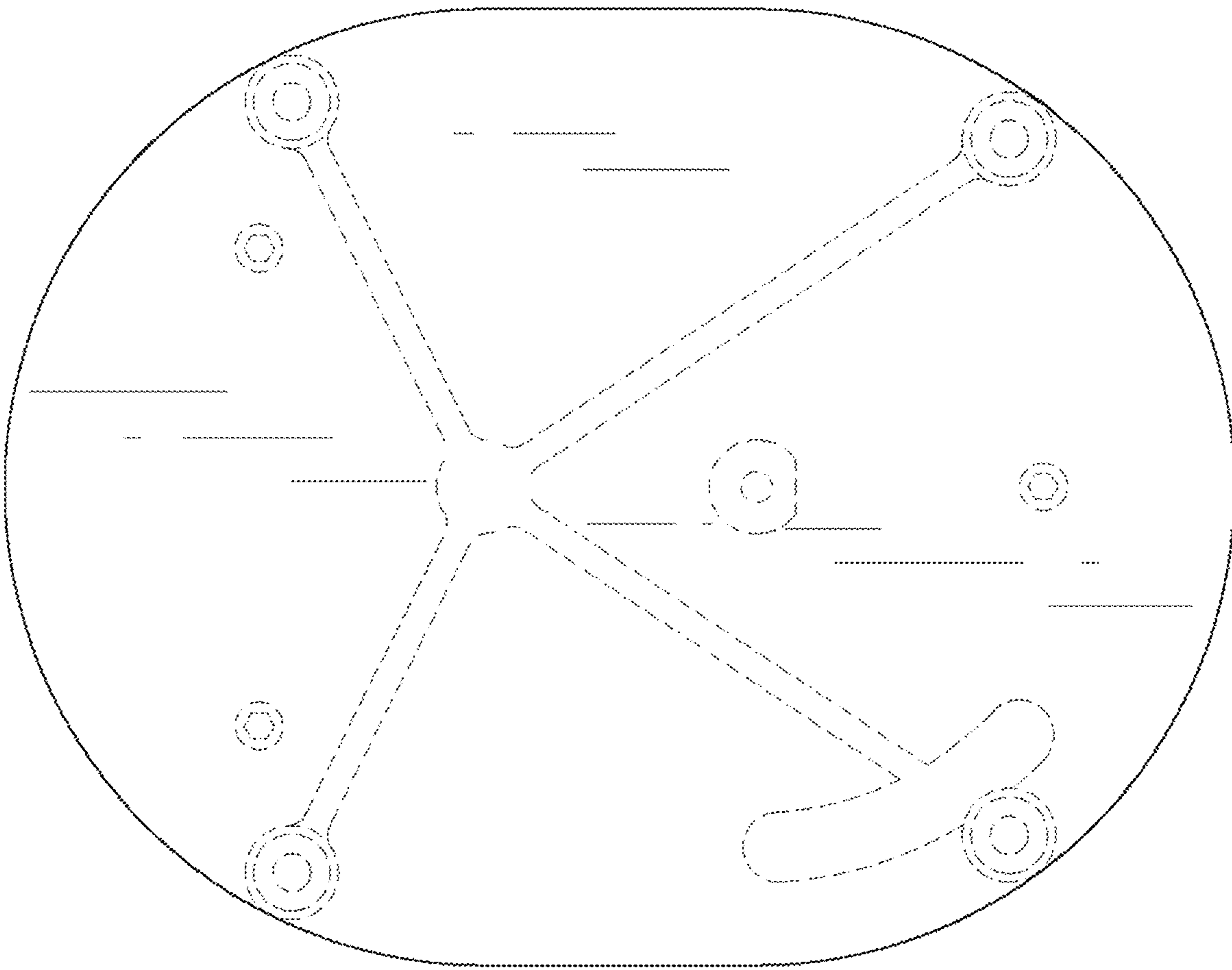


FIG. 8

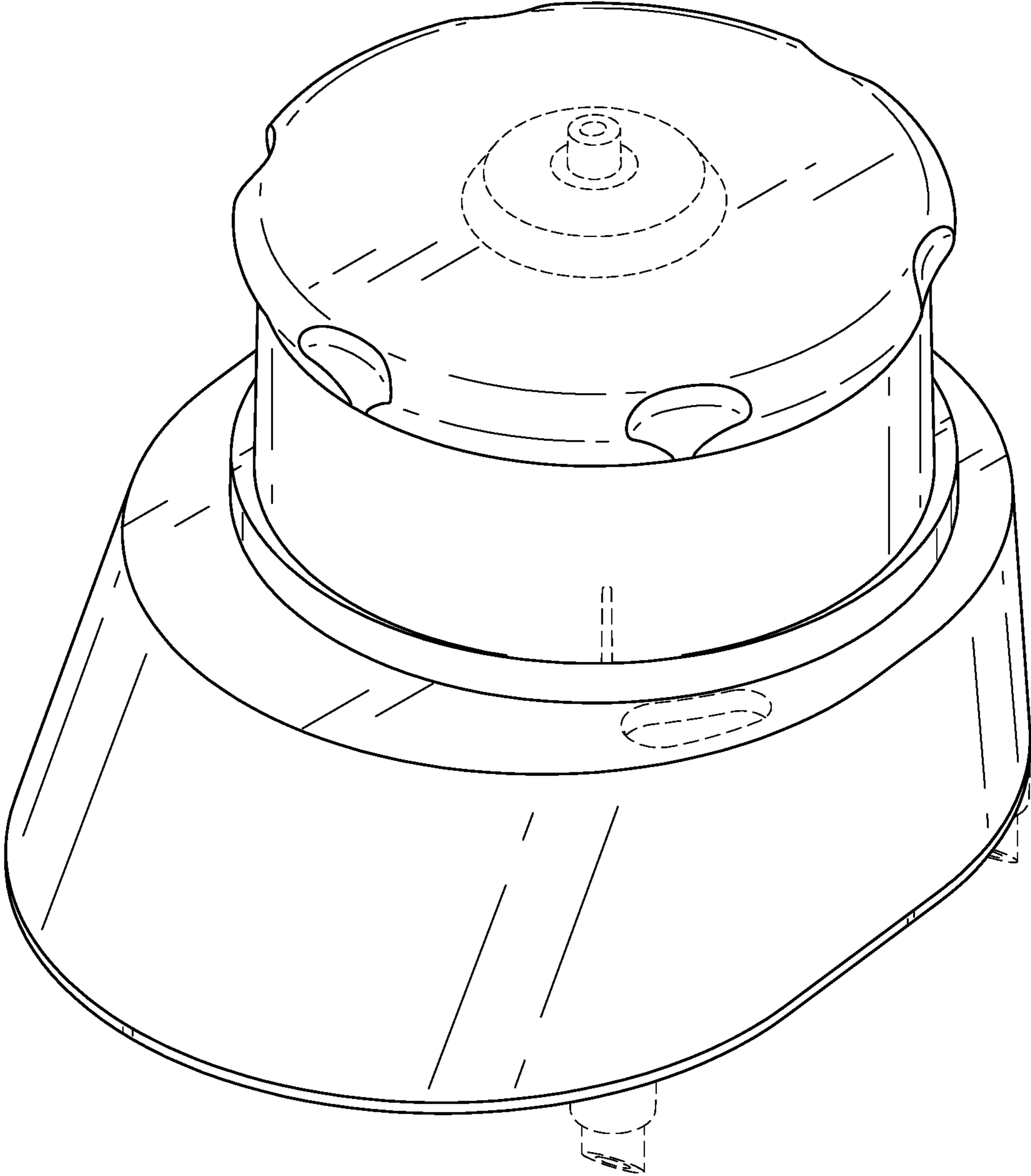


FIG. 9

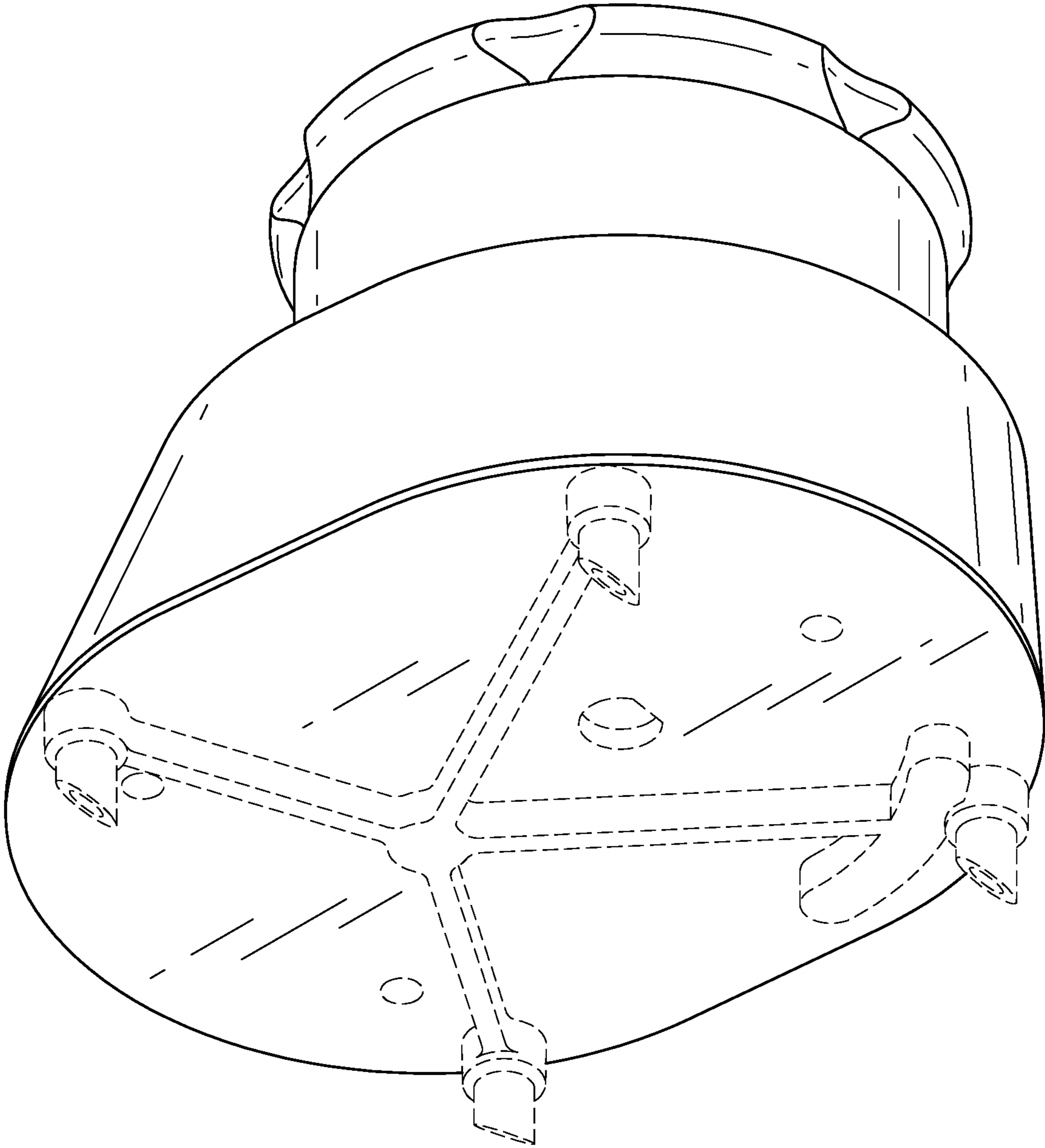


FIG. 10

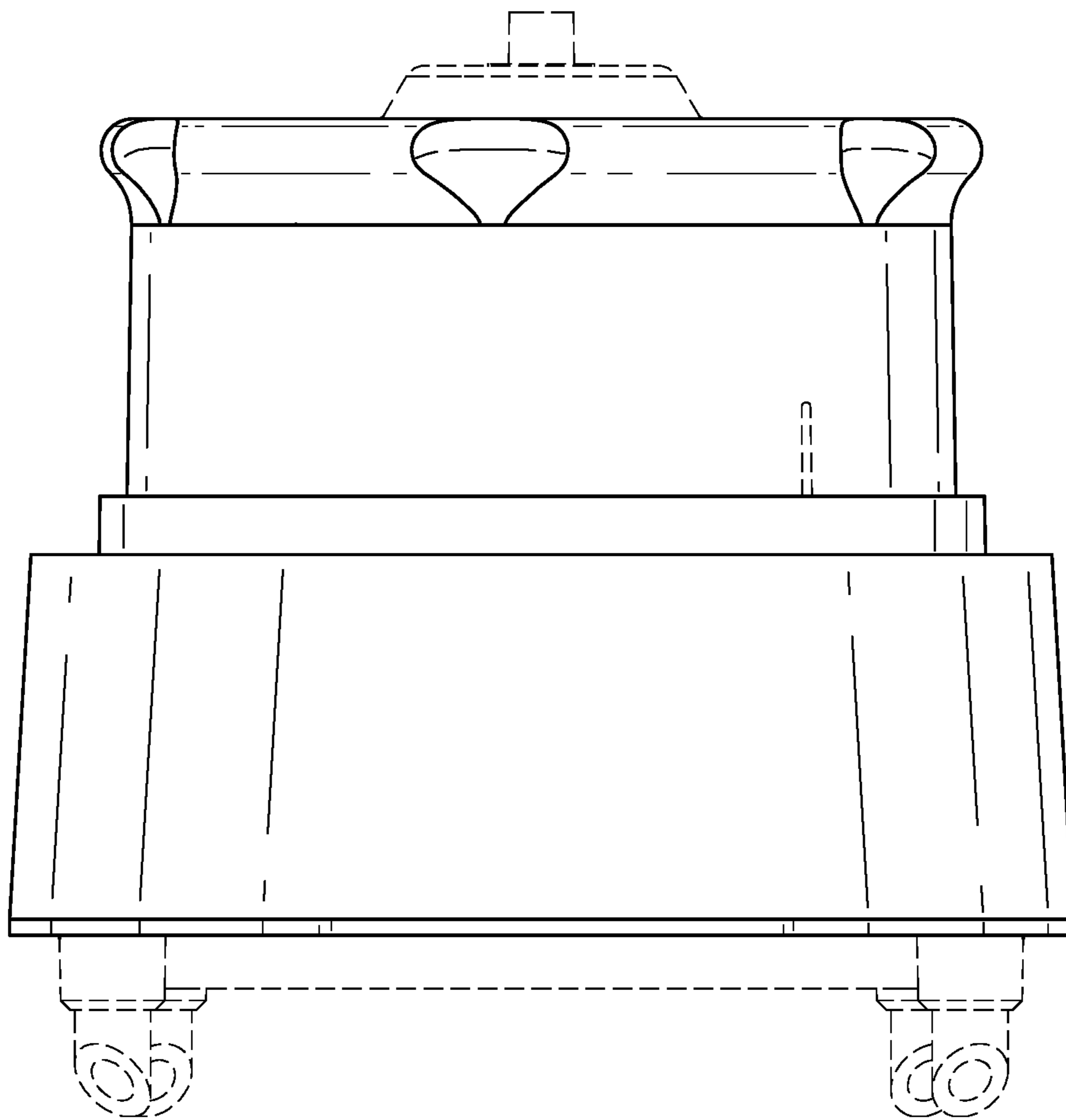


FIG. 11

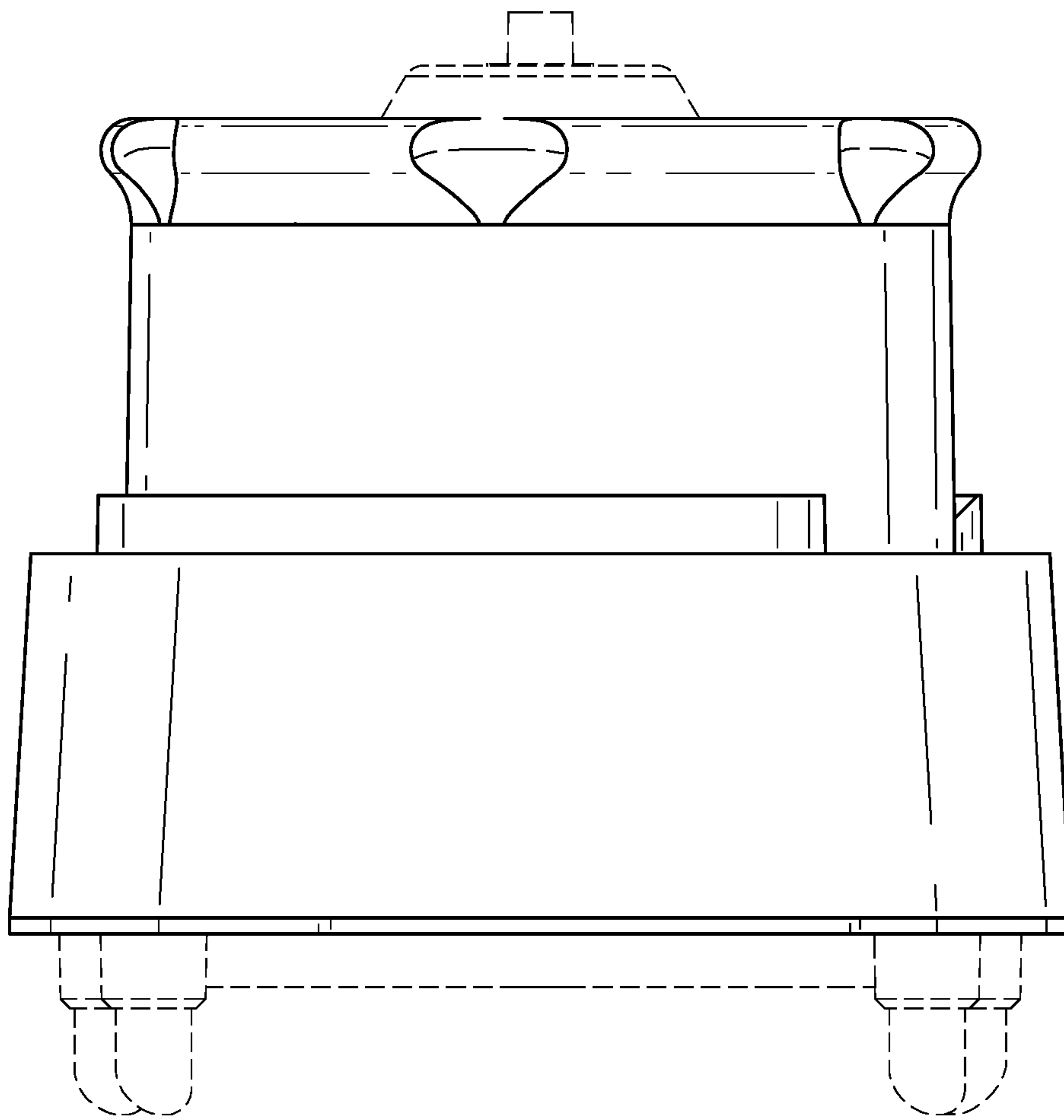


FIG. 12

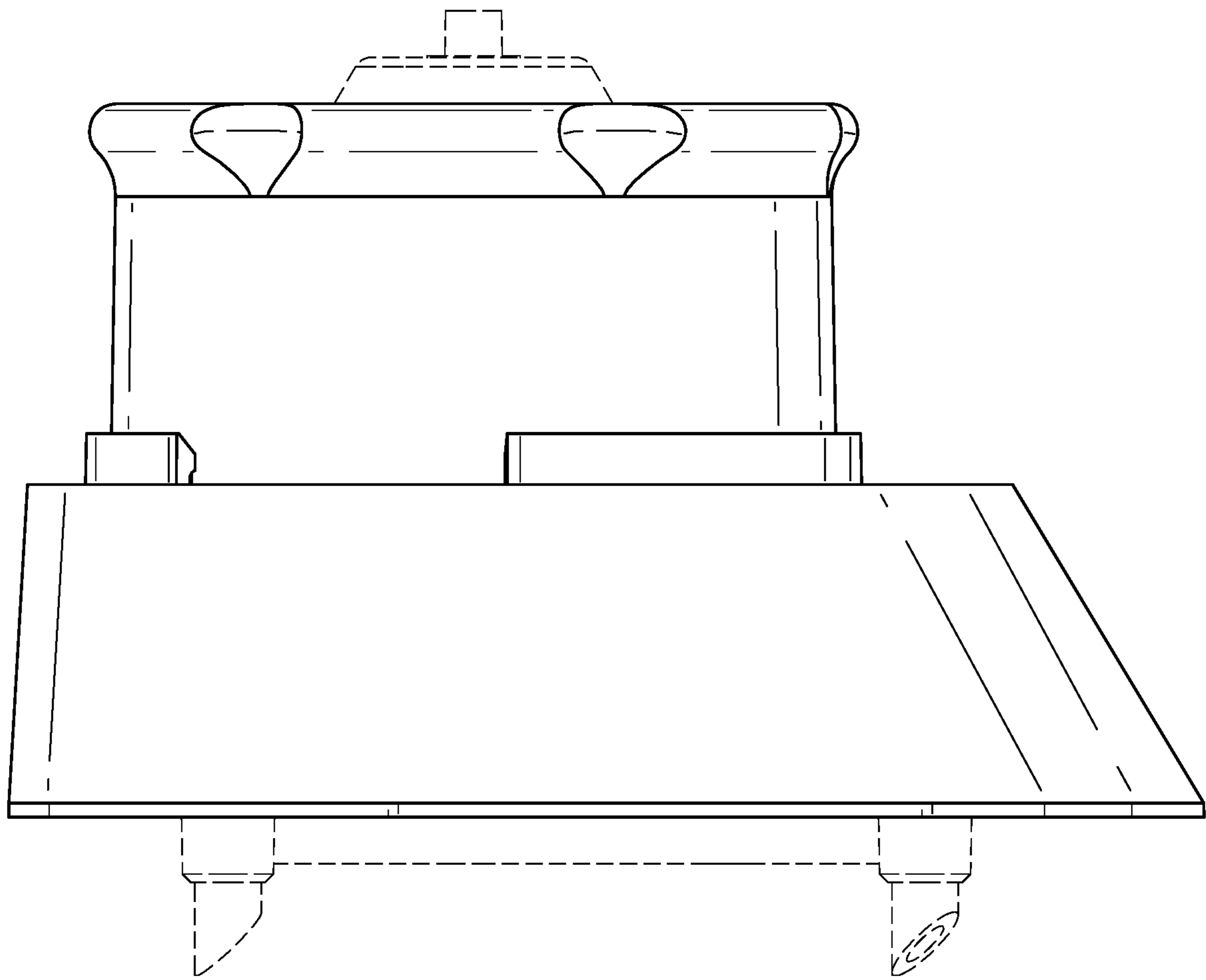


FIG. 13

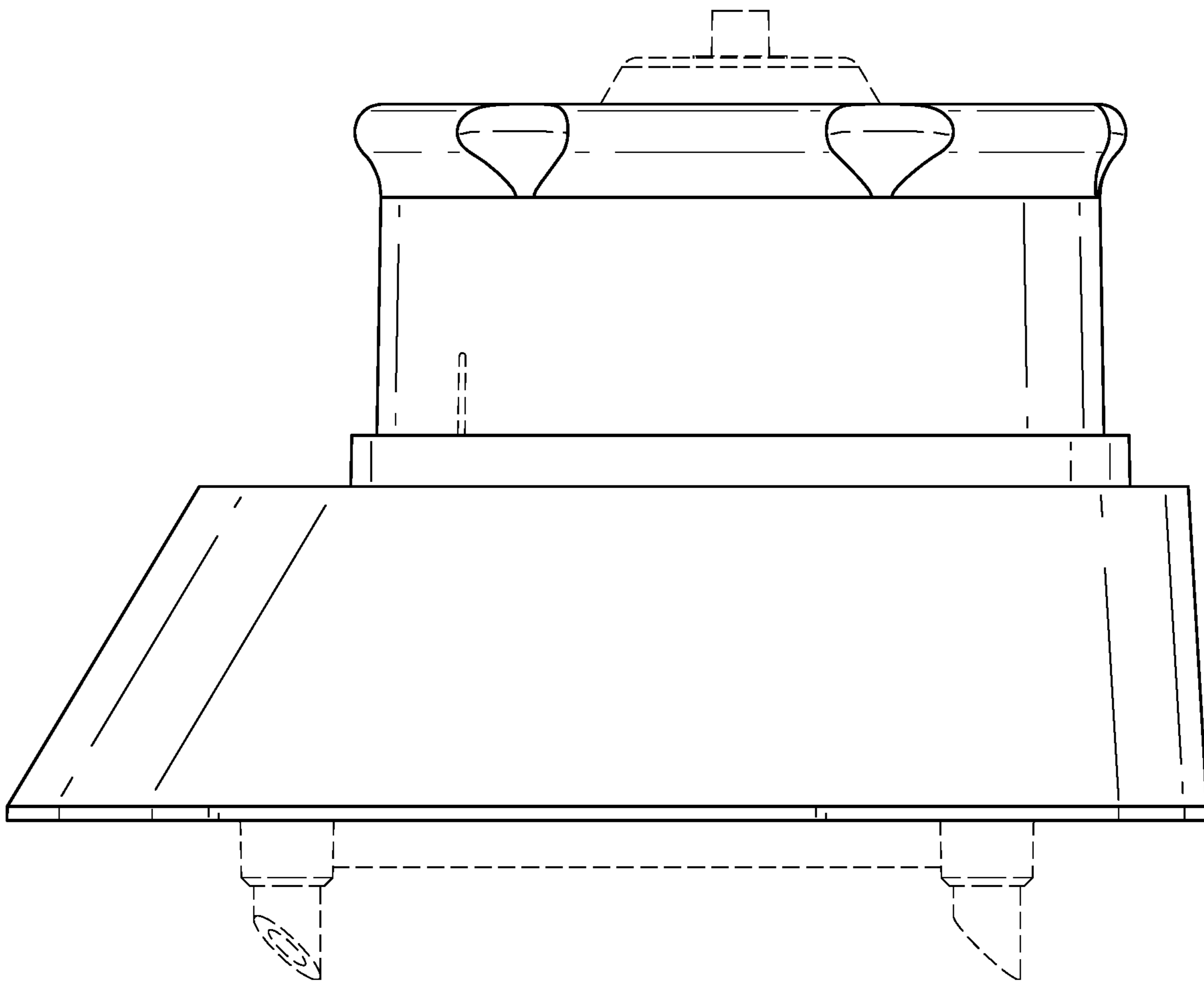


FIG. 14

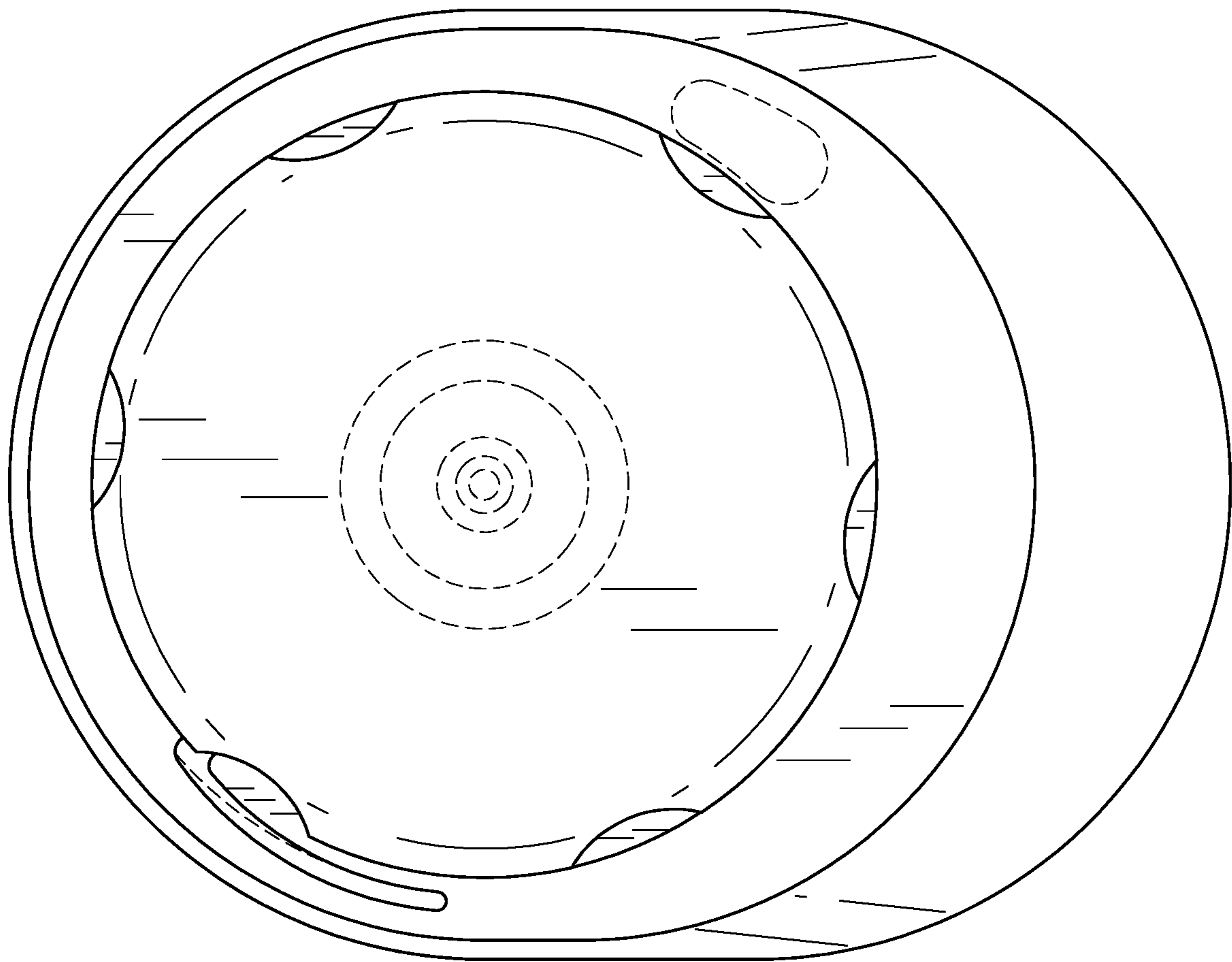


FIG. 15



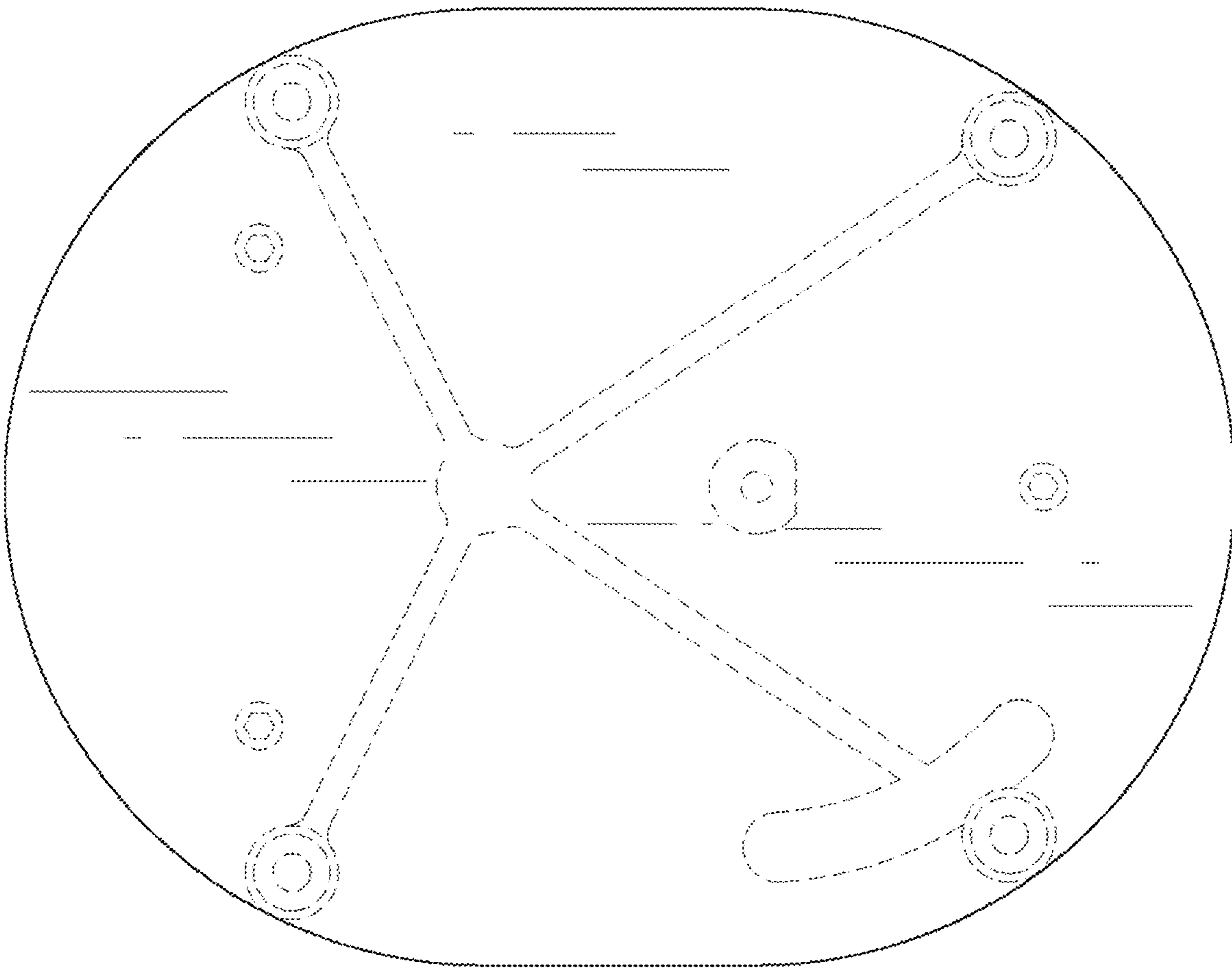


FIG. 16