



US00D907795S

(12) **United States Design Patent** (10) **Patent No.:** **US D907,795 S**
Buie et al. (45) **Date of Patent:** **** Jan. 12, 2021**

(54) **LABORATORY OR MEDICAL READER**
(71) Applicant: **Avails Medical, Inc.**, Menlo Park, CA (US)
(72) Inventors: **Creighton T. Buie**, Daly City, CA (US); **Oren S. Knopfmacher**, San Francisco, CA (US); **Meike Herget**, Woodside, CA (US)

(73) Assignee: **Avails Medical, Inc.**, Menlo Park, CA (US)

(**) Term: **15 Years**

(21) Appl. No.: **29/719,607**

(22) Filed: **Jan. 6, 2020**

(51) **LOC (13) Cl.** **24-01**

(52) **U.S. Cl.**
USPC **D24/216**

(58) **Field of Classification Search**
USPC D24/107, 185, 186, 216-219, 231-234; D10/81
CPC G01N 2035/00148; G01N 2035/00039; G01N 2035/00891; G01N 35/00029; G01N 21/754; G01N 21/755; G01N 21/757; G01N 21/8483; G01N 33/5302
See application file for complete search history.

(56) **References Cited**

U.S. PATENT DOCUMENTS

D404,140 S * 1/1999 Meguro D24/232
D678,530 S * 3/2013 Khan D24/186
D683,642 S * 6/2013 Buesser D10/81
D759,253 S * 6/2016 Bar-Or D24/216
D762,860 S * 8/2016 He D24/186
D787,682 S * 5/2017 Ockham D24/186

D829,337 S * 9/2018 Klein D24/216
D848,880 S * 5/2019 Smith D10/81
D887,559 S * 6/2020 Esfandiari D24/186
2014/0057362 A1 * 2/2014 Markovsky G01N 21/75
436/171
2014/0154792 A1 * 6/2014 Moynihan G01N 21/8483
435/287.2
2016/0025639 A1 * 1/2016 Jakubowicz G01N 35/00029
435/5
2018/0149600 A1 * 5/2018 Farrell G01N 33/54373

* cited by examiner

Primary Examiner — Anhdao Doan

(74) *Attorney, Agent, or Firm* — Levine Bagade Han LLP

(57) **CLAIM**

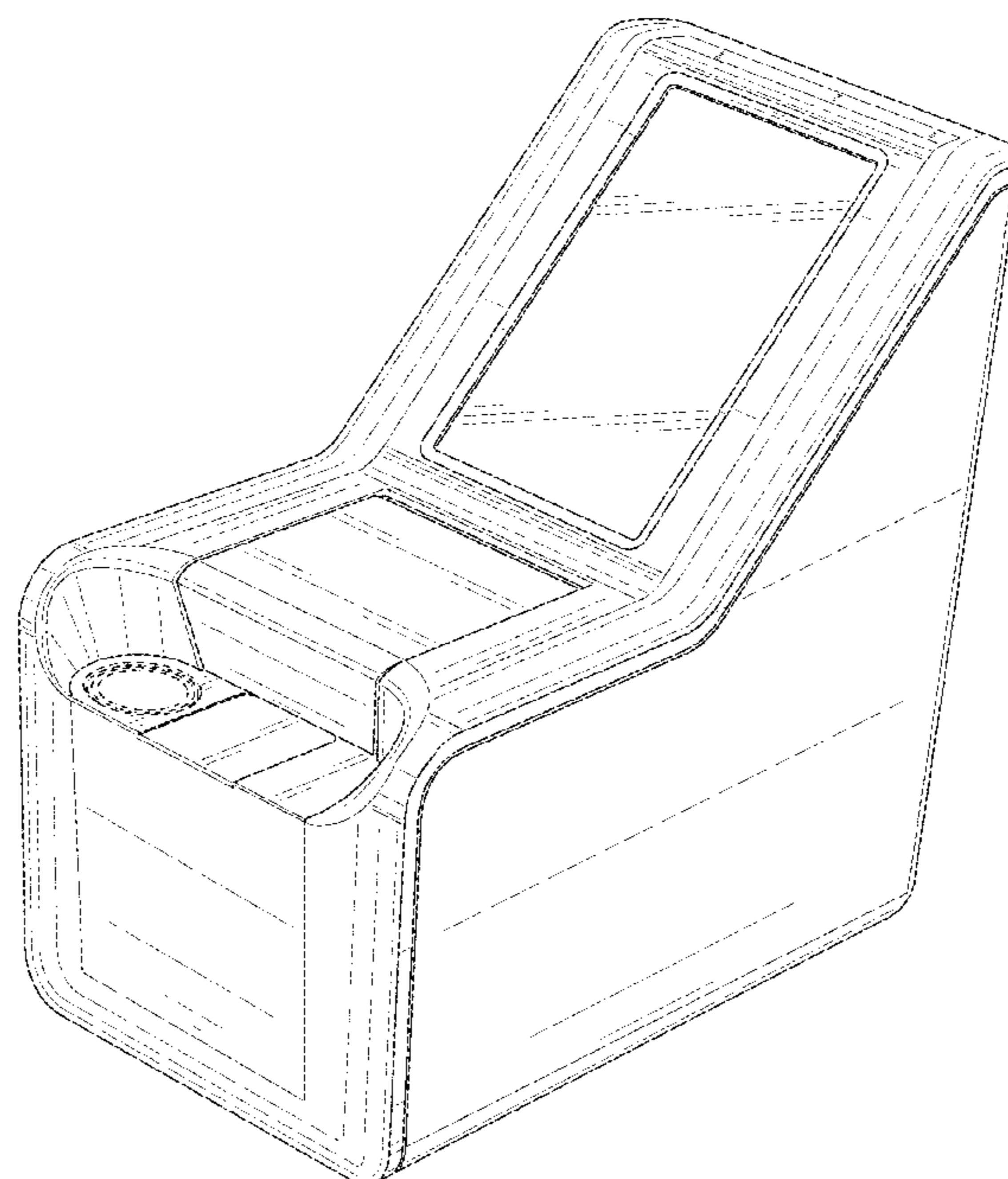
The ornamental design for a laboratory or medical reader, as shown and described.

DESCRIPTION

FIG. 1 is a perspective view of a laboratory or medical reader;
FIG. 2 is a front view of the laboratory or medical reader shown in FIG. 1;
FIG. 3 is a rear view of the laboratory or medical reader shown in FIG. 1;
FIG. 4 is a right side view of the laboratory or medical reader shown in FIG. 1;
FIG. 5 is a left side view of the laboratory or medical reader shown in FIG. 1;
FIG. 6 is a top plan view of the laboratory or medical reader shown in FIG. 1; and,
FIG. 7 is a bottom plan view of the laboratory or medical reader shown in FIG. 1.

The broken lines in the figures illustrate the portions of the design that form no part of the claimed design.

1 Claim, 7 Drawing Sheets



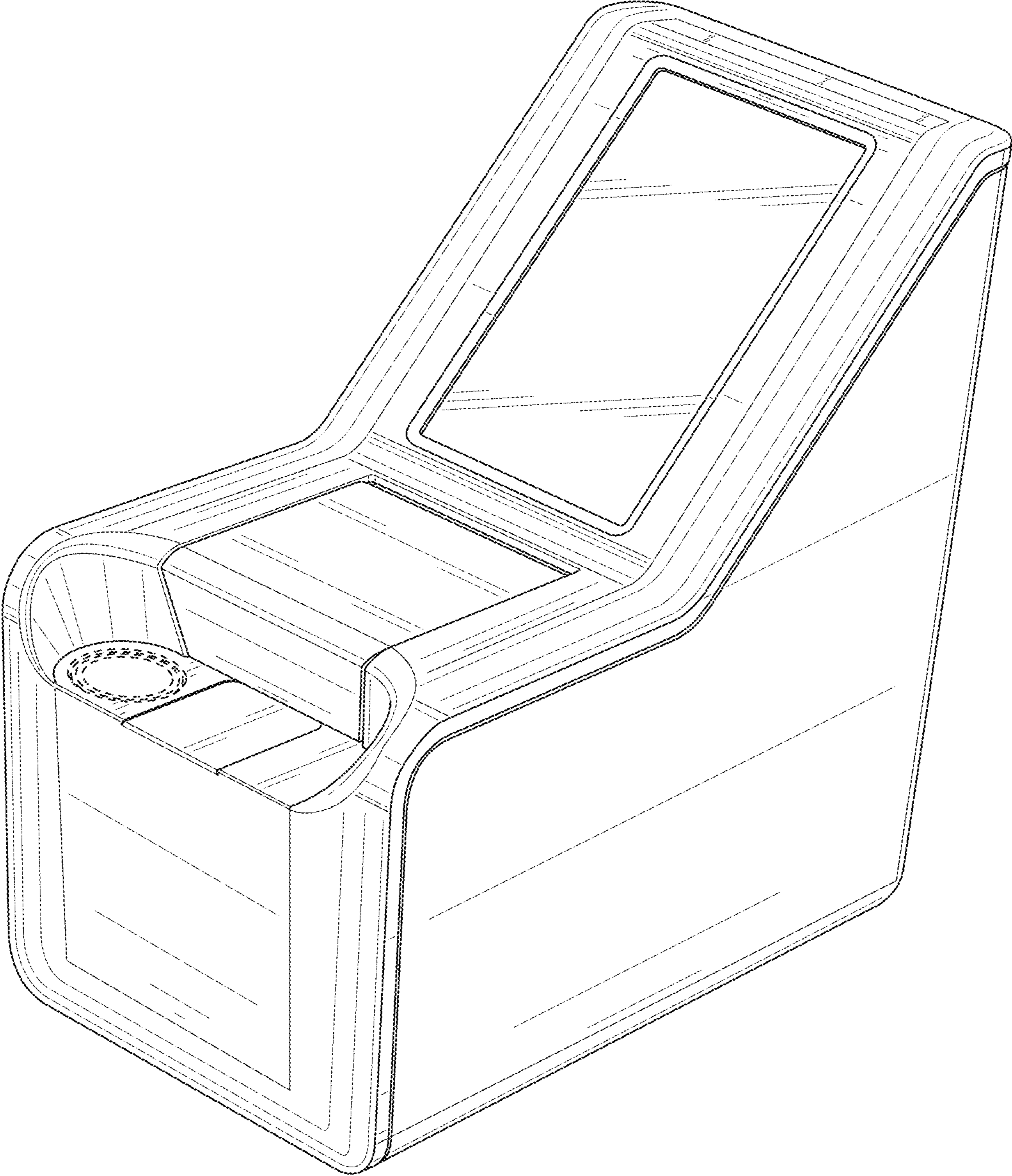


FIG. 1

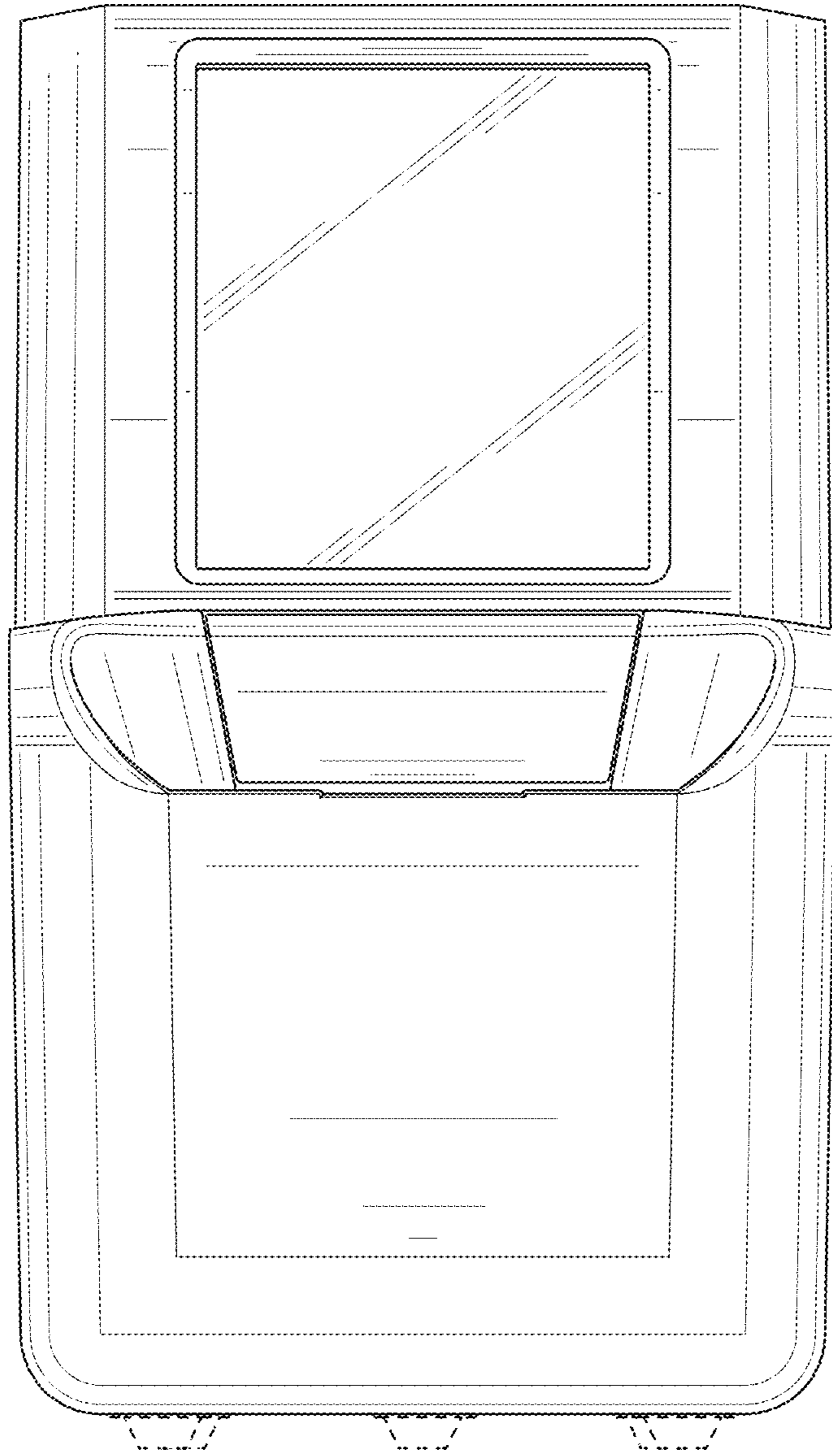


FIG. 2

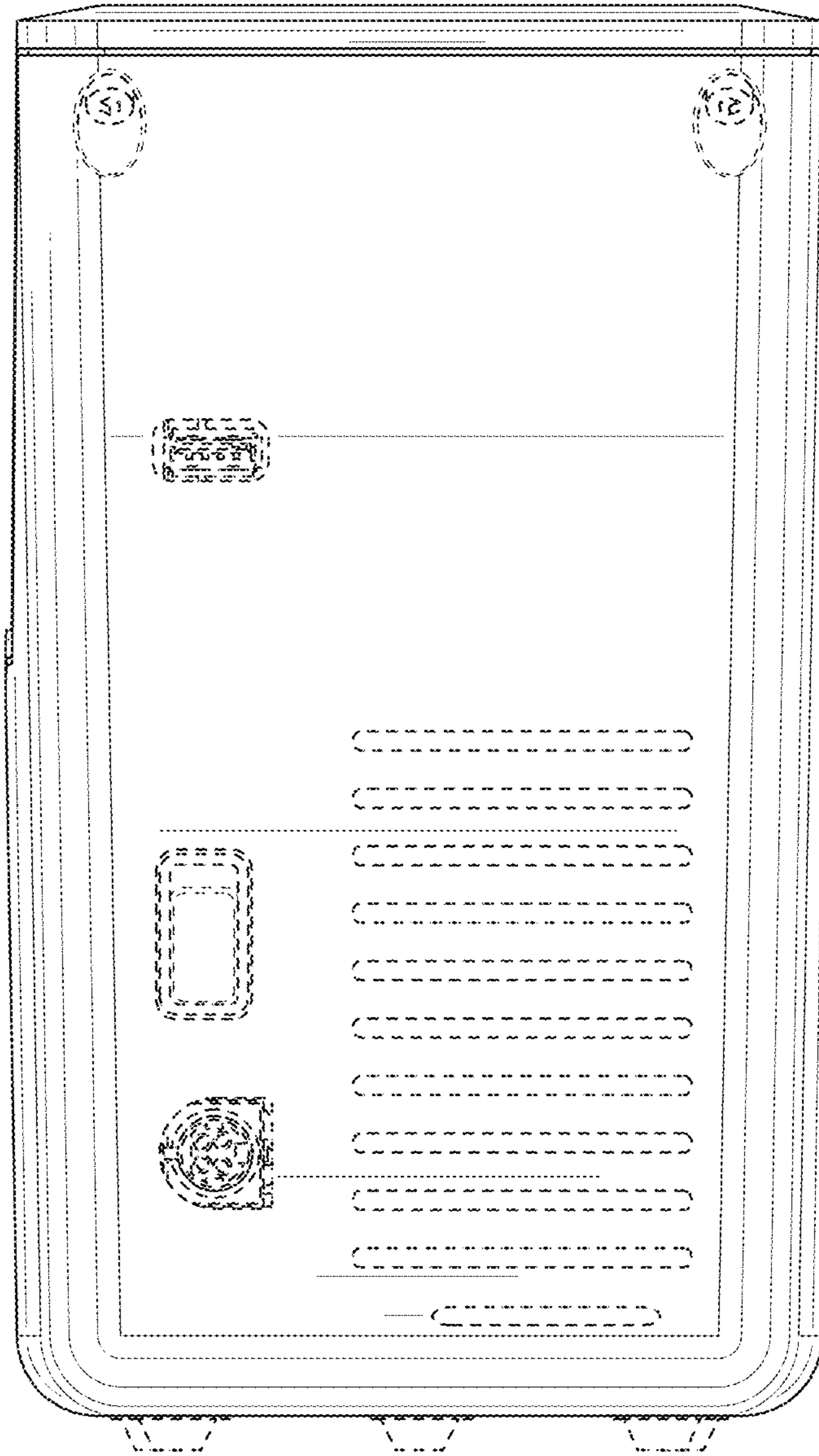


FIG. 3

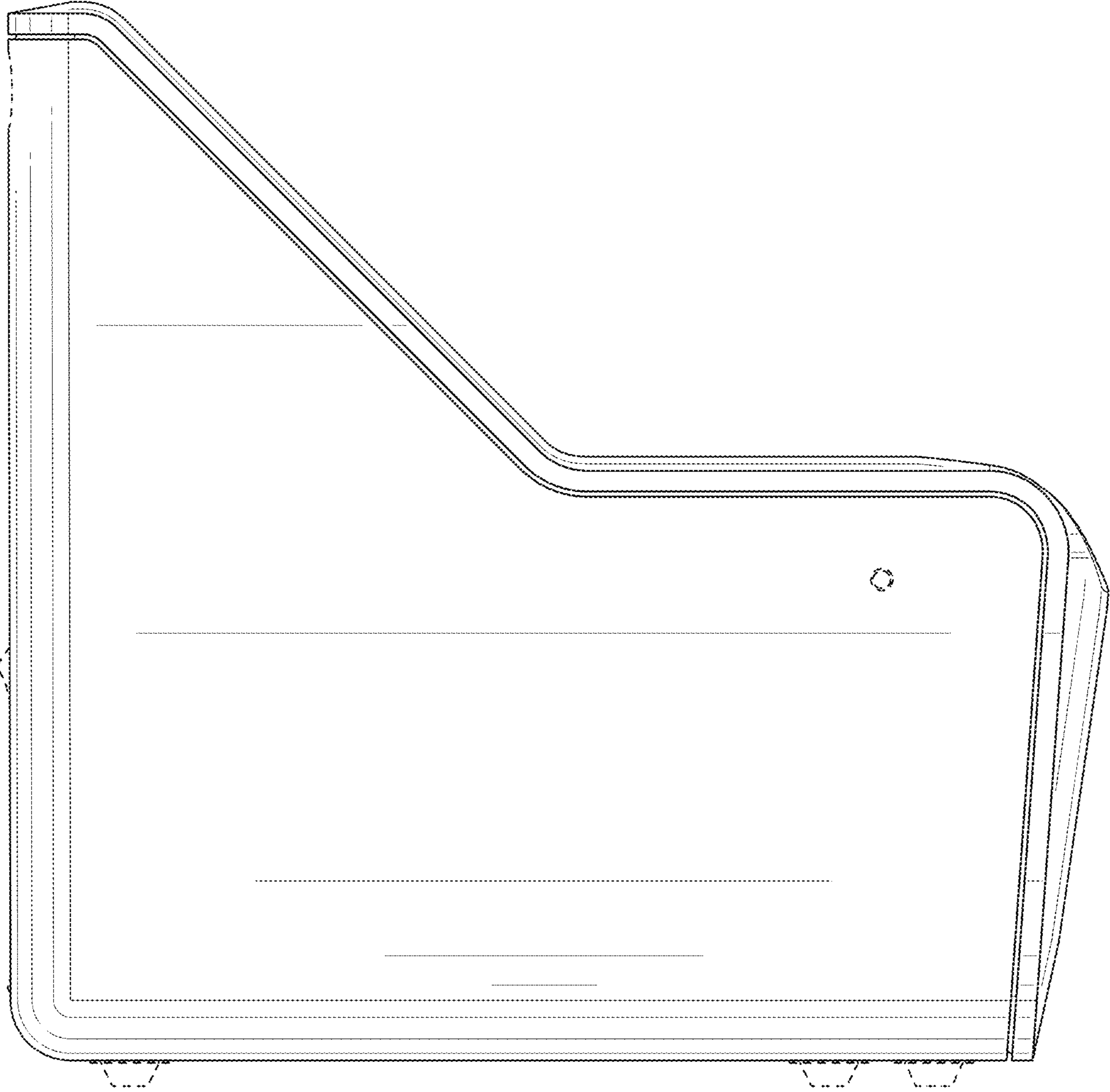


FIG. 4

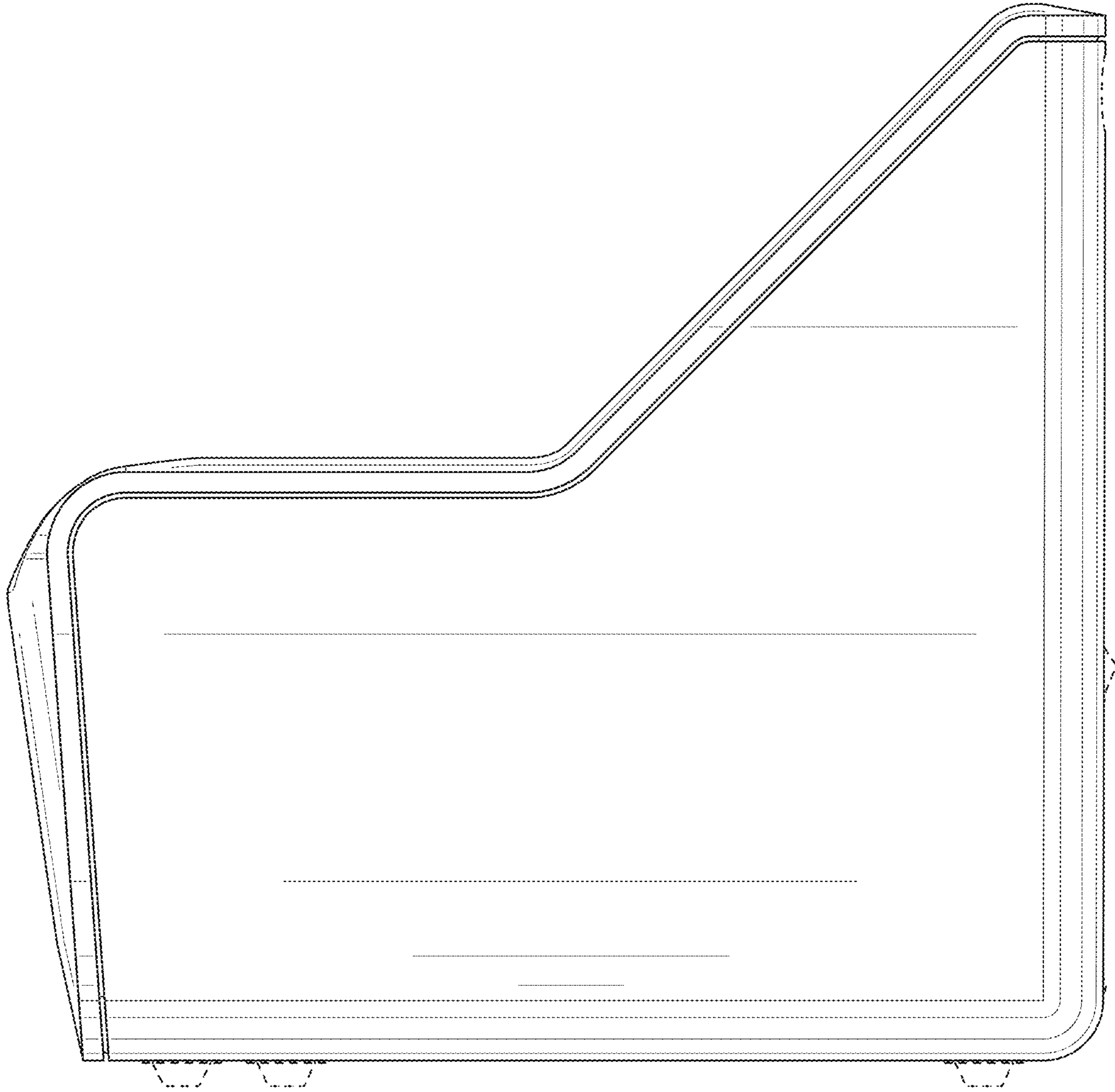


FIG. 5

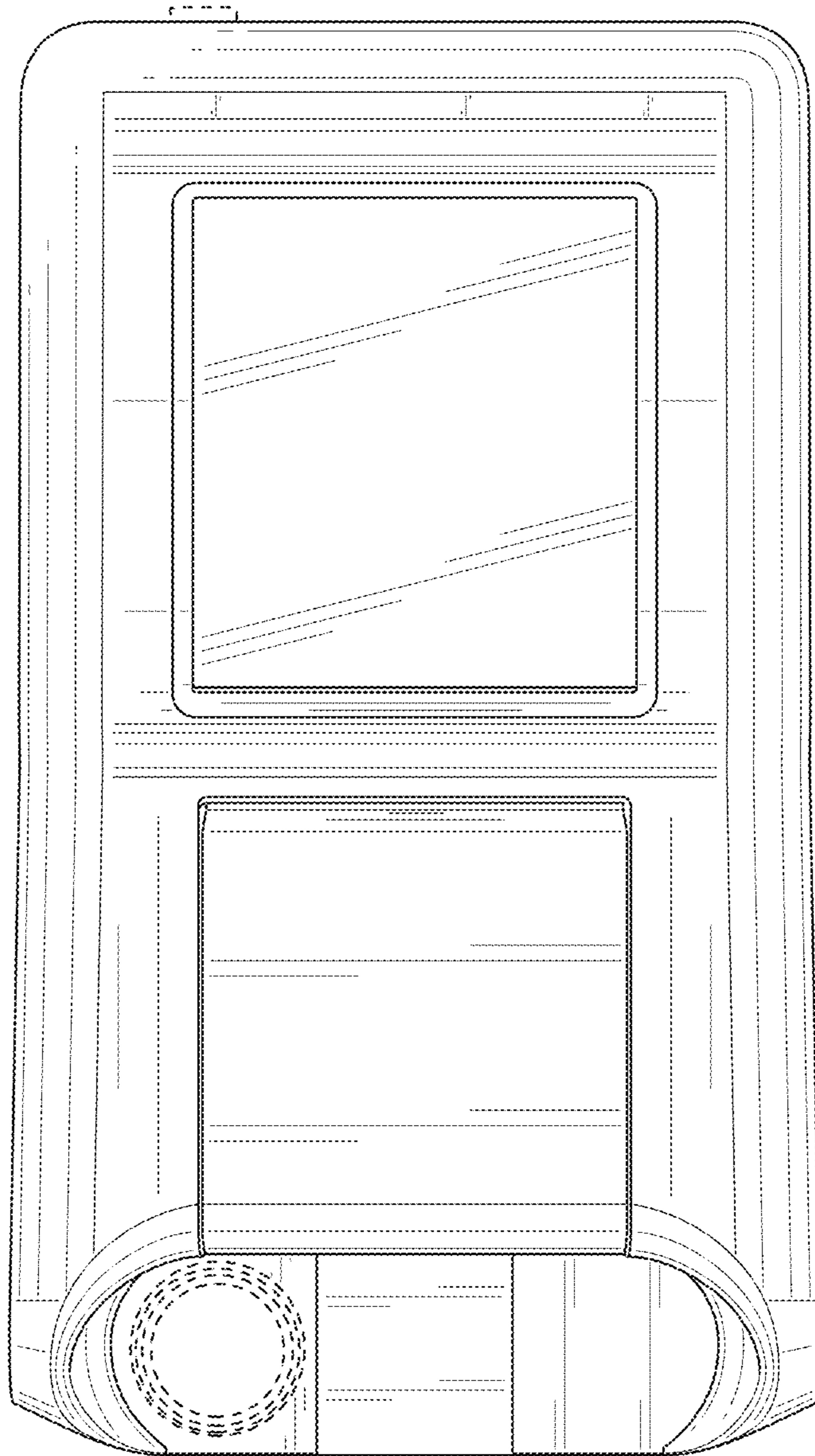


FIG. 6

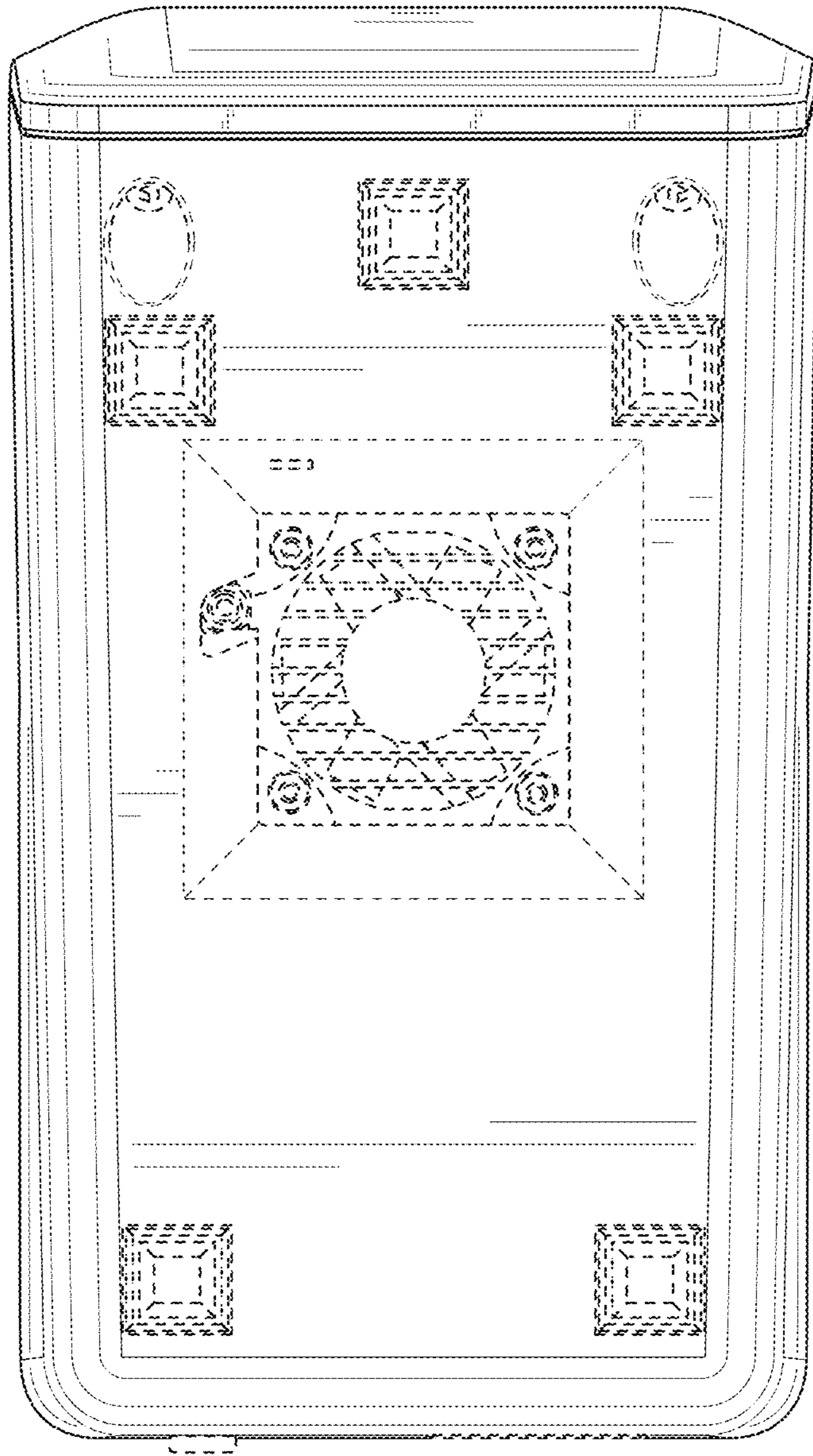


FIG. 7