



US00D907794S

(12) **United States Design Patent**  
**Nilsson**

(10) **Patent No.:** **US D907,794 S**

(45) **Date of Patent:** **\*\* Jan. 12, 2021**

(54) **HEATER**

(71) Applicant: **PerkinElmer Health Sciences, Inc.**,  
Waltham, MA (US)

(72) Inventor: **Michael Nilsson**, Medford, MA (US)

(73) Assignee: **PERKINELMER HEALTH SCIENCES, INC.**, Waltham, MA (US)

(\*\*) Term: **15 Years**

(21) Appl. No.: **29/669,534**

(22) Filed: **Nov. 8, 2018**

(51) **LOC (13) Cl.** ..... **24-01**

(52) **U.S. Cl.**  
USPC ..... **D24/216**

(58) **Field of Classification Search**  
USPC ..... D24/107, 186, 216, 219, 220, 231, 232;  
D10/81; D23/314  
CPC ..... G01N 9/30; G01N 15/042; G01N 33/491;  
B04B 7/02; B04B 15/02; B01L  
2300/0803; B01L 2300/0861; B01L  
2300/0867; B01L 2400/0409  
See application file for complete search history.

(56) **References Cited**

**U.S. PATENT DOCUMENTS**

D613,872 S *	4/2010	Carota	.....	D24/220
D637,709 S *	5/2011	Brede	.....	D24/107
D843,009 S *	3/2019	Watts	.....	D24/224
10,384,208 B2 *	8/2019	Tan	.....	B01L 7/52
2010/0294047 A1 *	11/2010	Davis	.....	B01L 9/52 73/863.21

\* cited by examiner

Primary Examiner — Anhdao Doan

(74) *Attorney, Agent, or Firm* — Seed Intellectual Property Law Group LLP

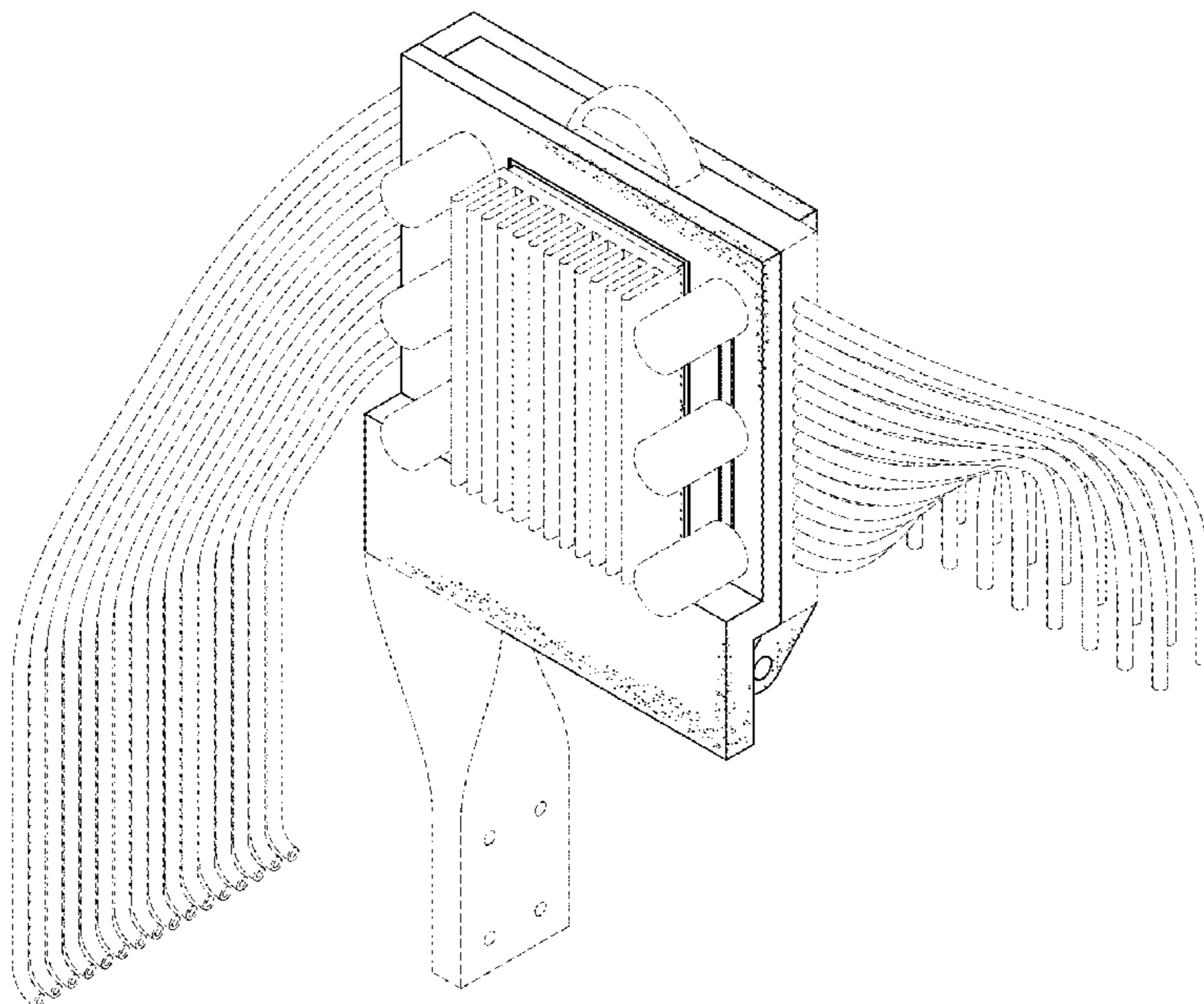
(57) **CLAIM**

The ornamental design for a heater, as shown and described.

**DESCRIPTION**

FIG. 1 is a front, top, left-side perspective view of a heater showing my new design in a closed configuration with a cartridge to be heated mounted in the heater.  
 FIG. 2 is a rear, top, right-side perspective view thereof.  
 FIG. 3 is a front, bottom, left-side perspective view thereof.  
 FIG. 4 is a rear, bottom, right-side perspective view thereof.  
 FIG. 5 is a left-side view thereof.  
 FIG. 6 is a front view thereof.  
 FIG. 7 is a top plan view thereof.  
 FIG. 8 is a rear view thereof.  
 FIG. 9 is a right-side view thereof.  
 FIG. 10 is a bottom plan view thereof.  
 FIG. 11 is a front, top, left-side perspective view of a heater showing my new design in an open configuration.  
 FIG. 12 is a rear, top, right-side perspective view thereof.  
 FIG. 13 is a front, bottom, left-side perspective view thereof.  
 FIG. 14 is a rear, bottom, right-side perspective view thereof.  
 FIG. 15 is a front, top, right-side perspective view thereof.  
 FIG. 16 is a left-side view thereof.  
 FIG. 17 is a front view thereof.  
 FIG. 18 is a top plan view thereof.  
 FIG. 19 is a rear view thereof.  
 FIG. 20 is a right-side view thereof; and,  
 FIG. 21 is a bottom plan view thereof.  
 The broken lines depicting a cartridge in FIGS. 1-10 represent environmental subject matter, and the remaining broken lines depict portions of the heater that form no part of the claimed design; the broken lines form no part of the claimed design.

**1 Claim, 21 Drawing Sheets**



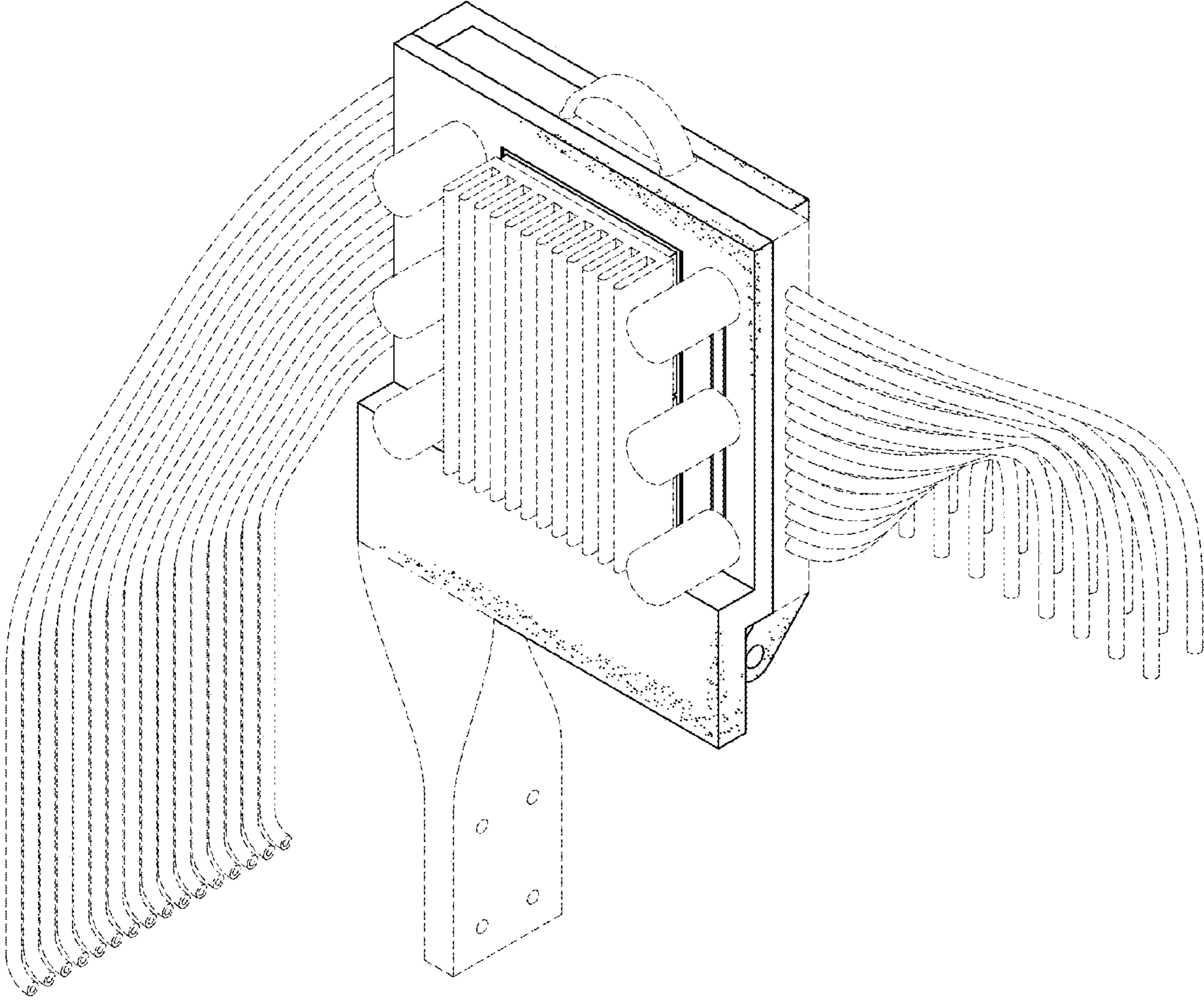


FIG. 1

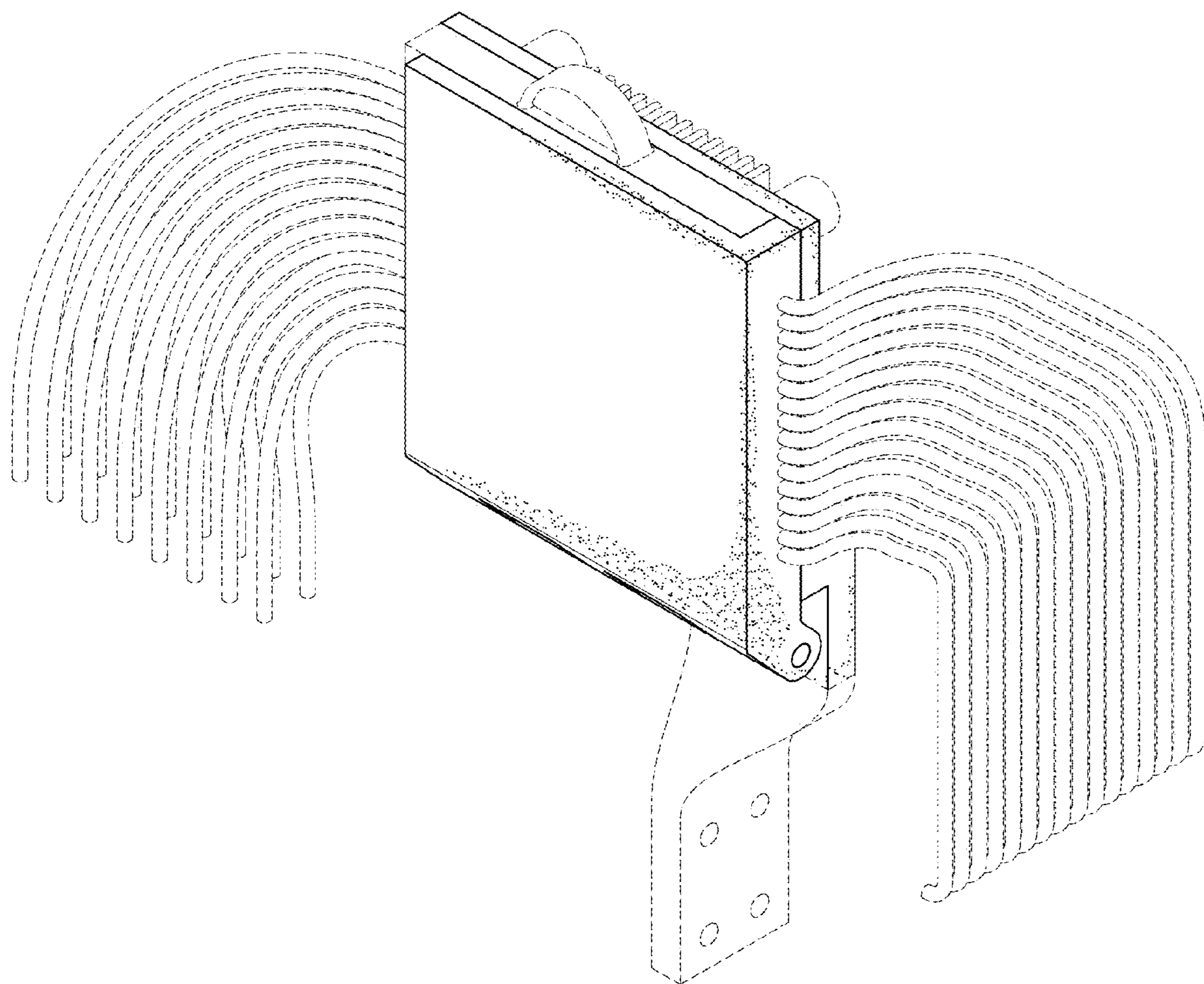


FIG. 2

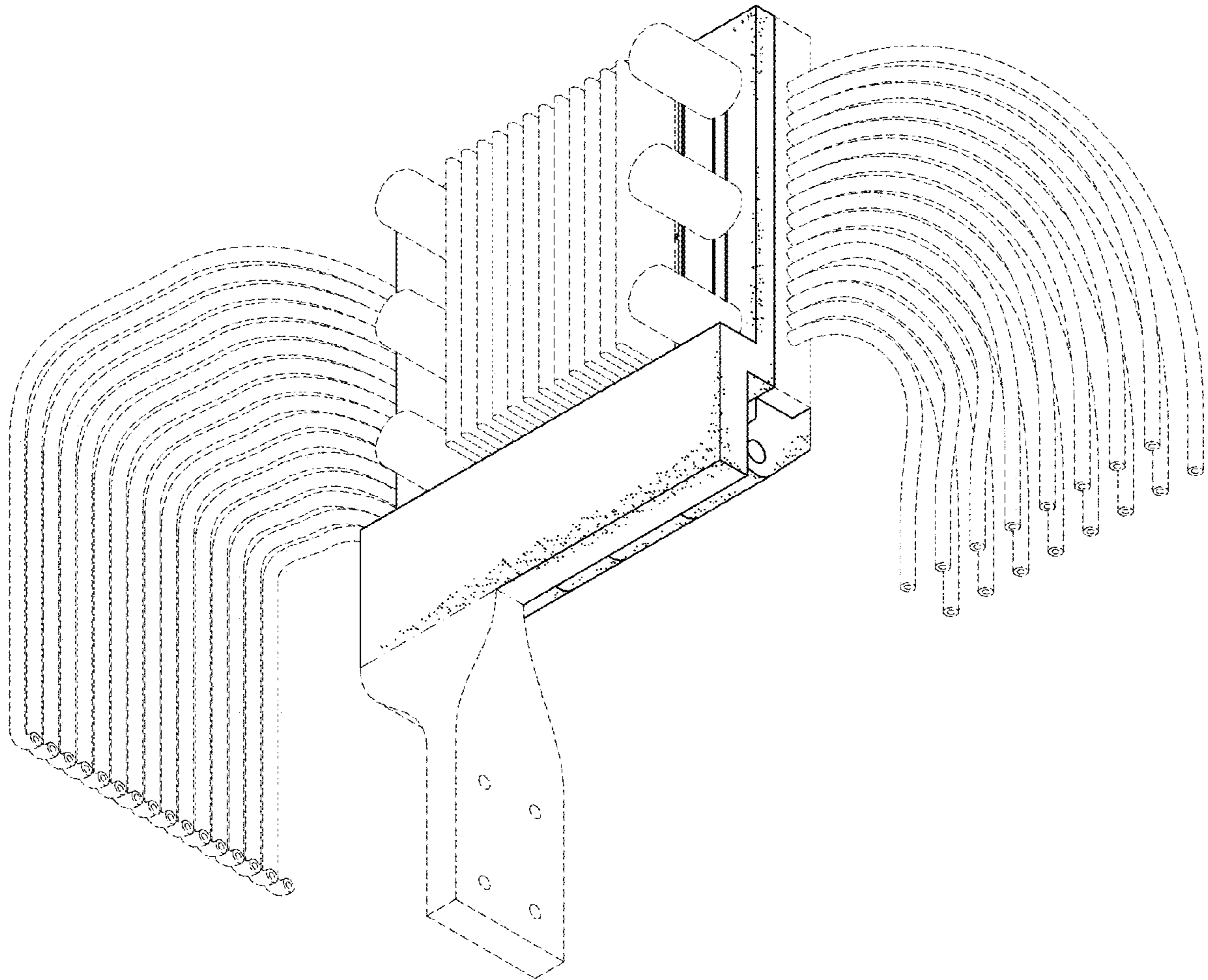


FIG. 3

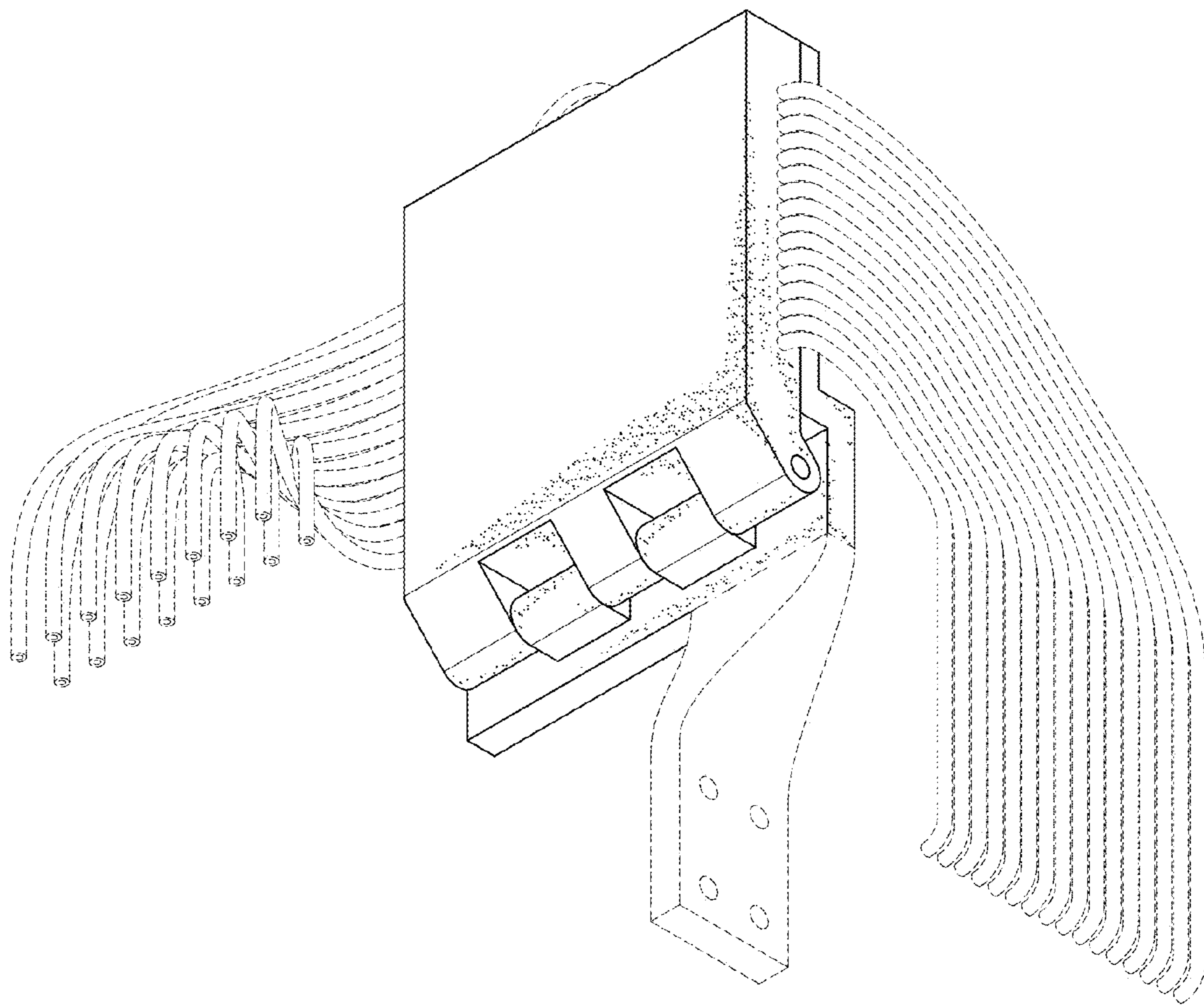


FIG. 4

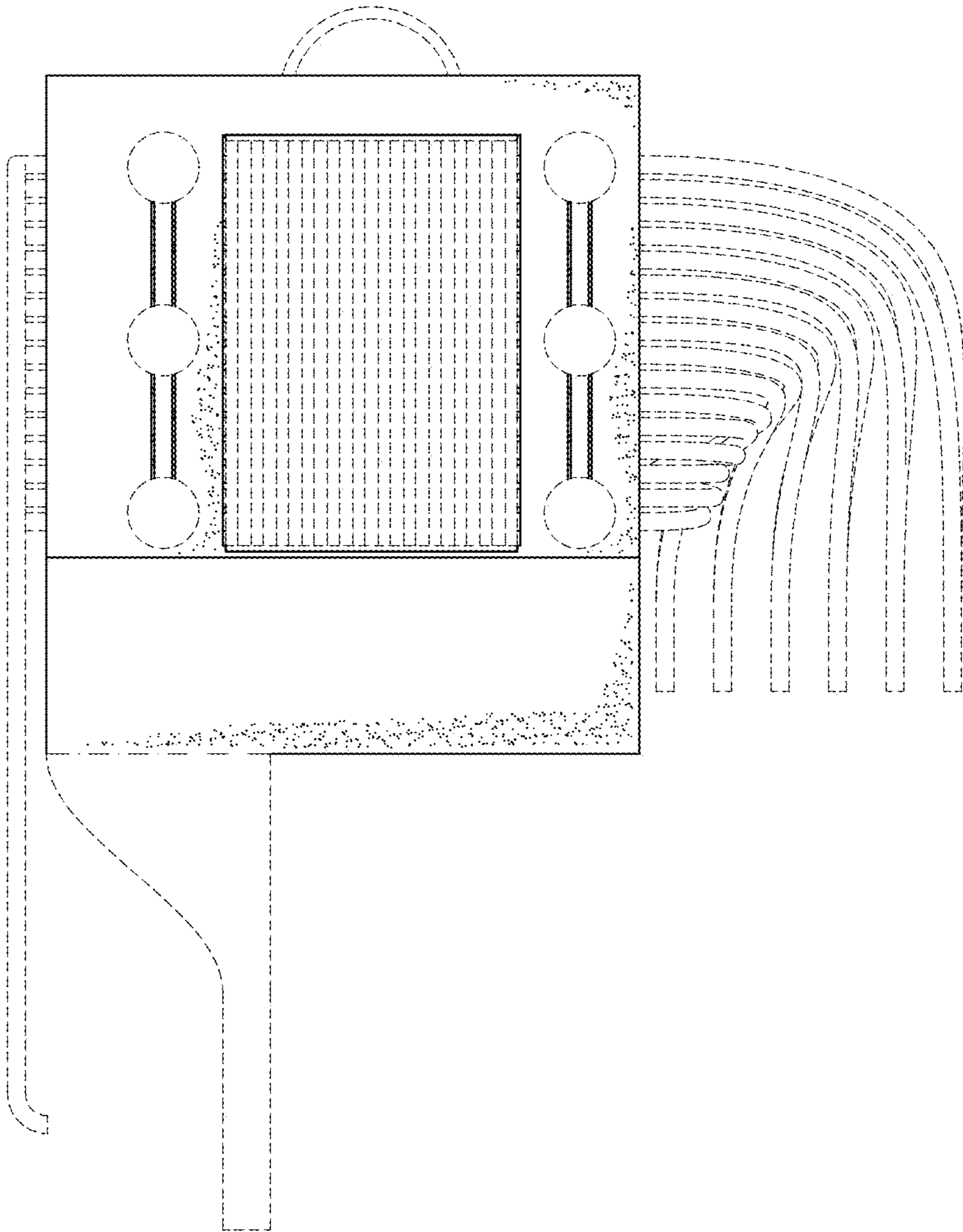


FIG. 5

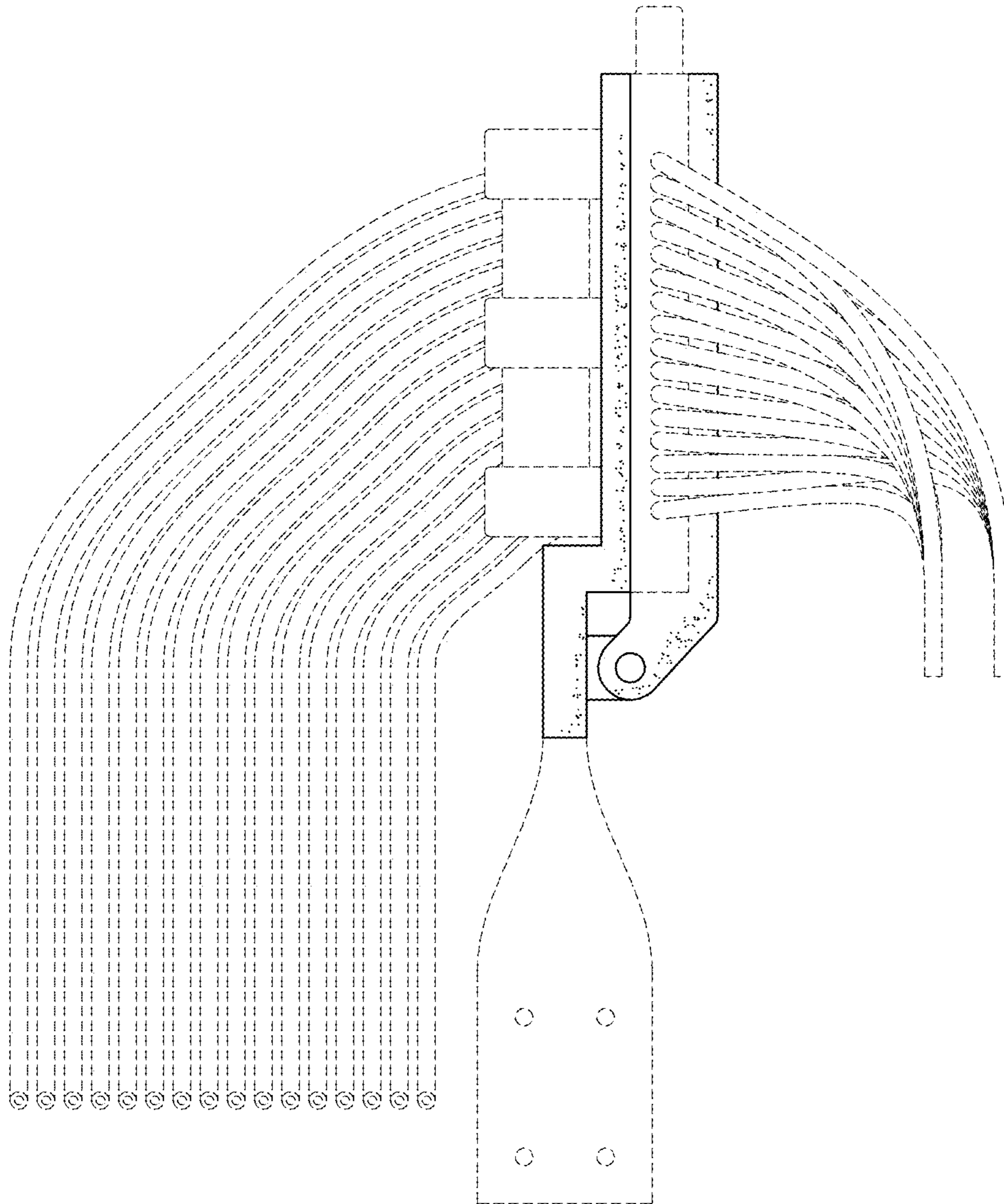


FIG. 6

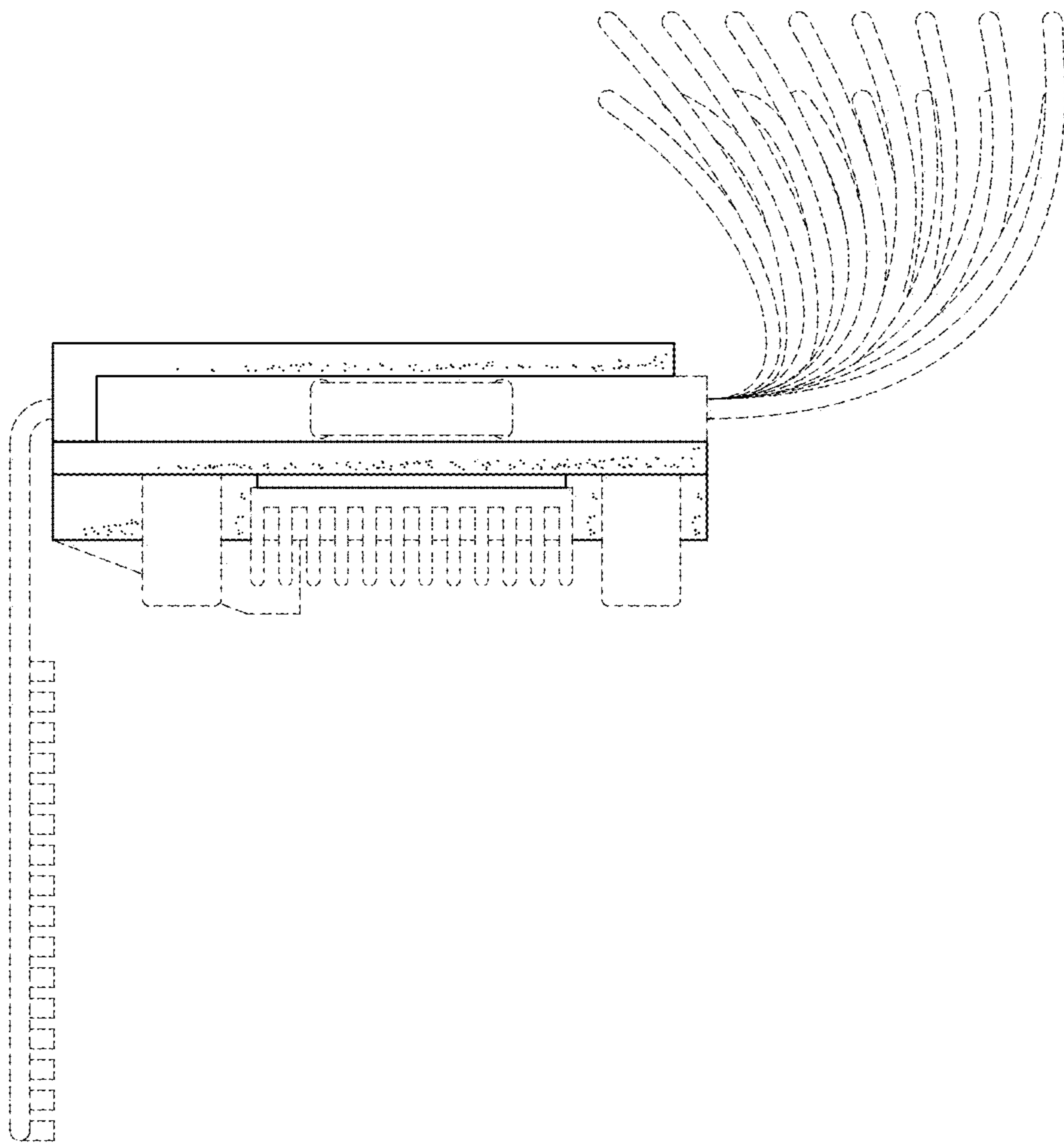


FIG. 7



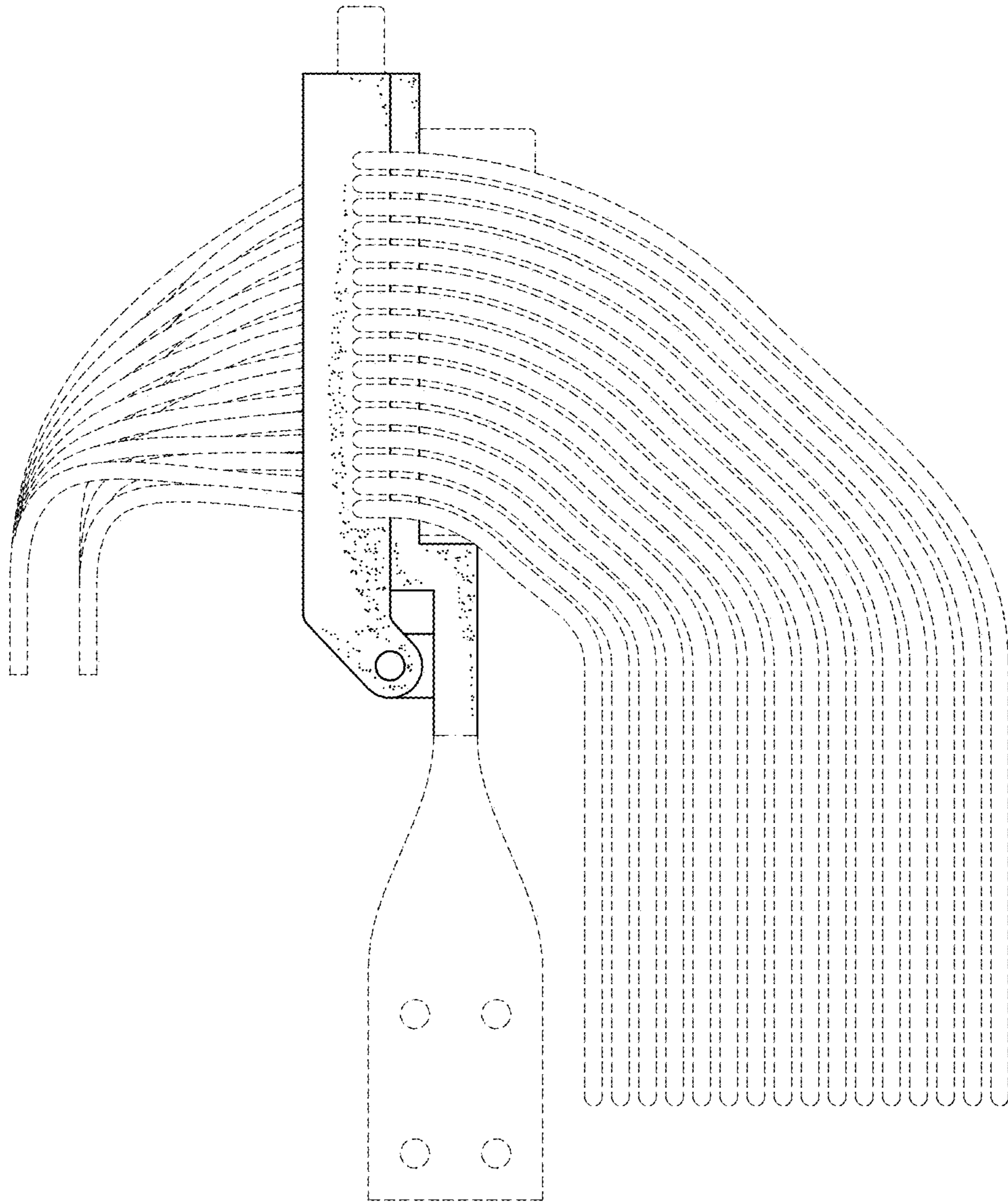


FIG. 8

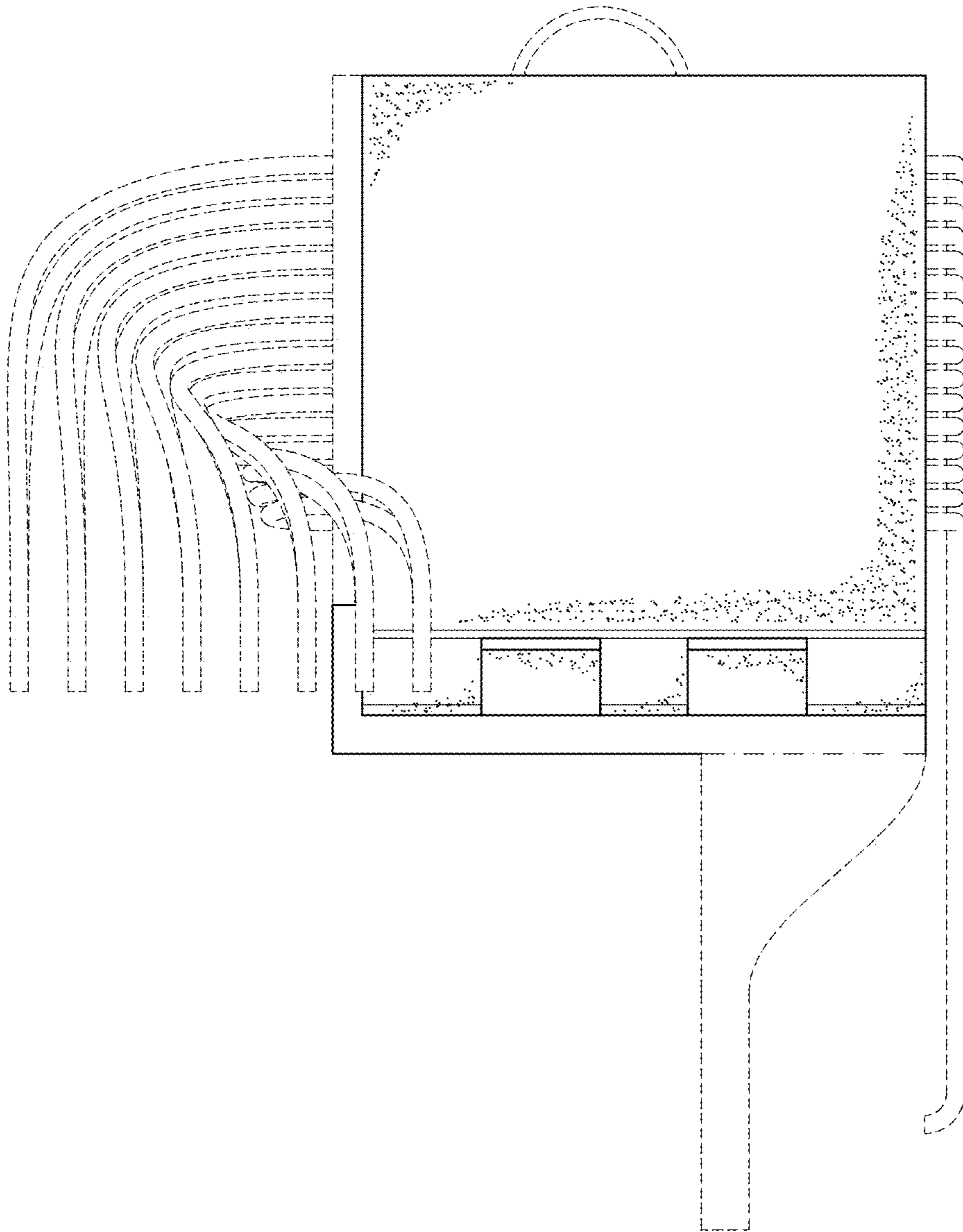


FIG. 9

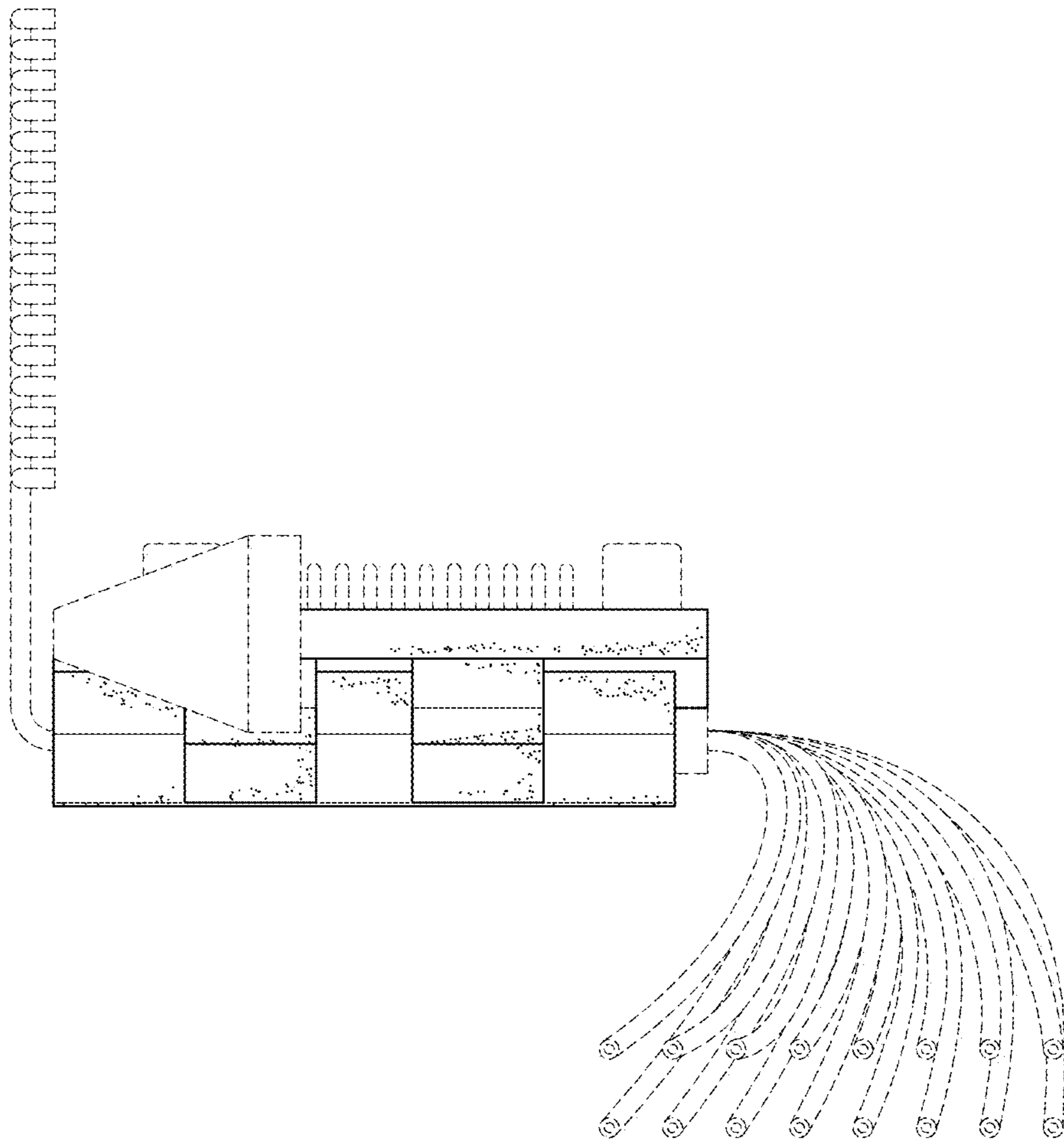


FIG. 10

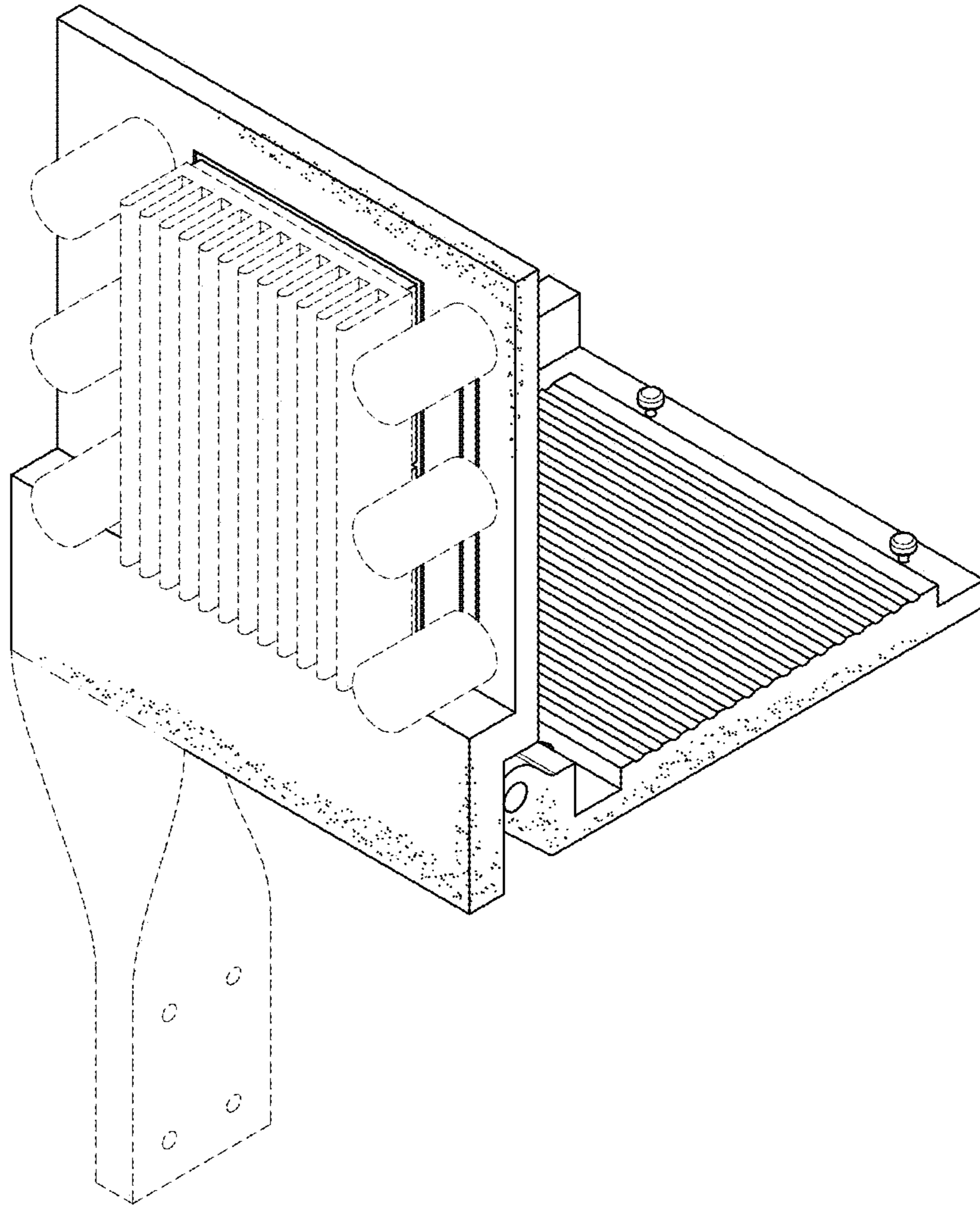


FIG. 11

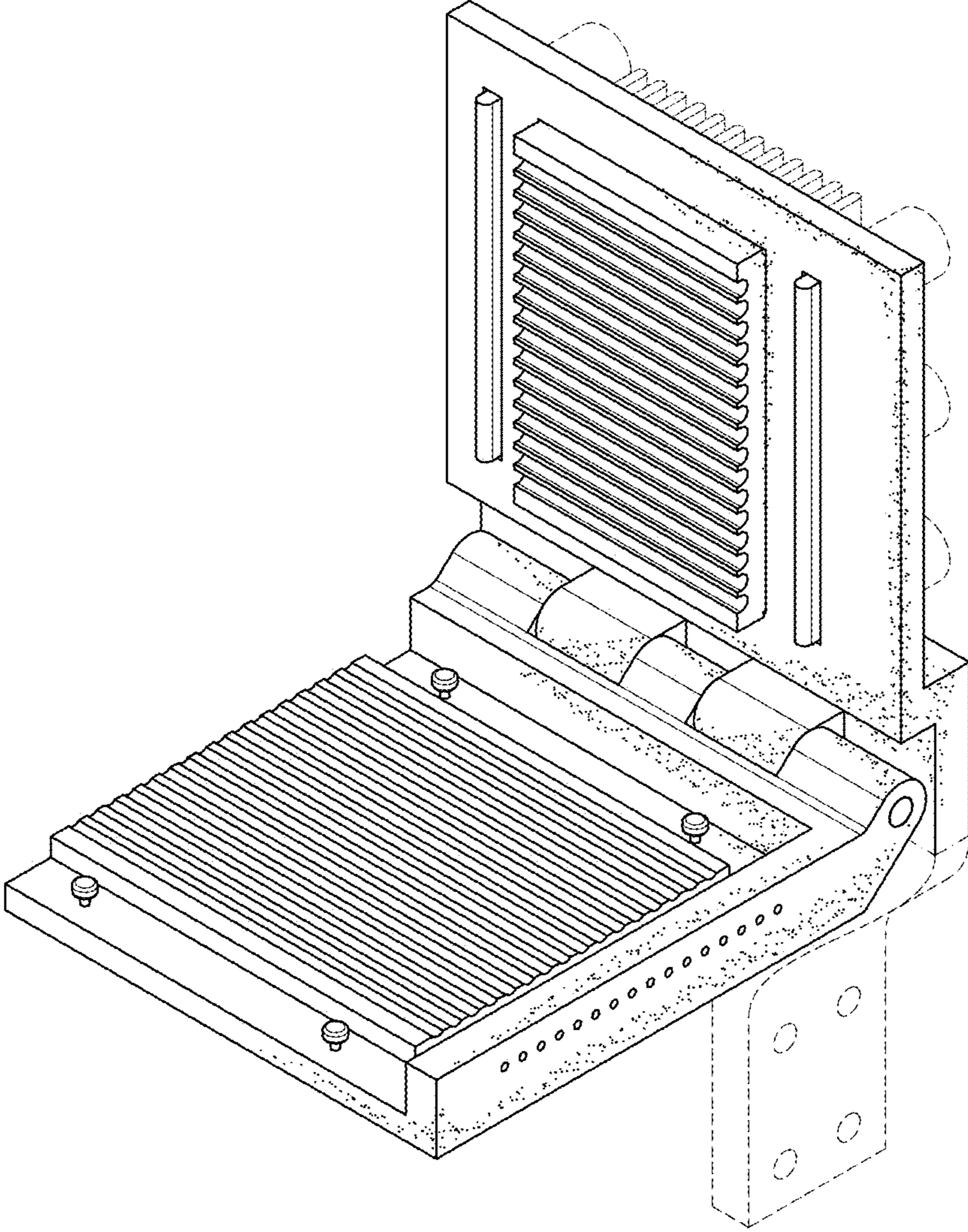


FIG. 12

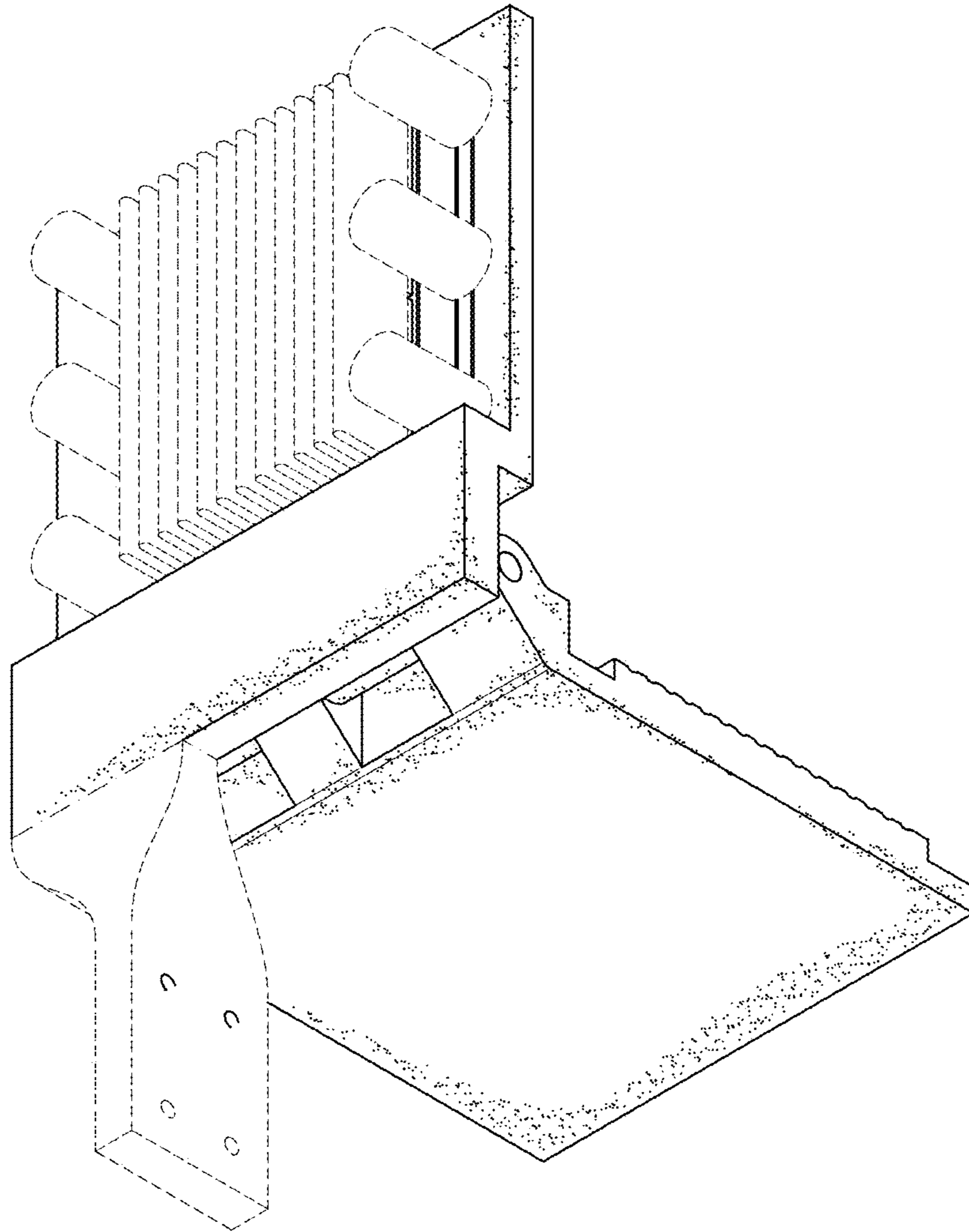


FIG. 13

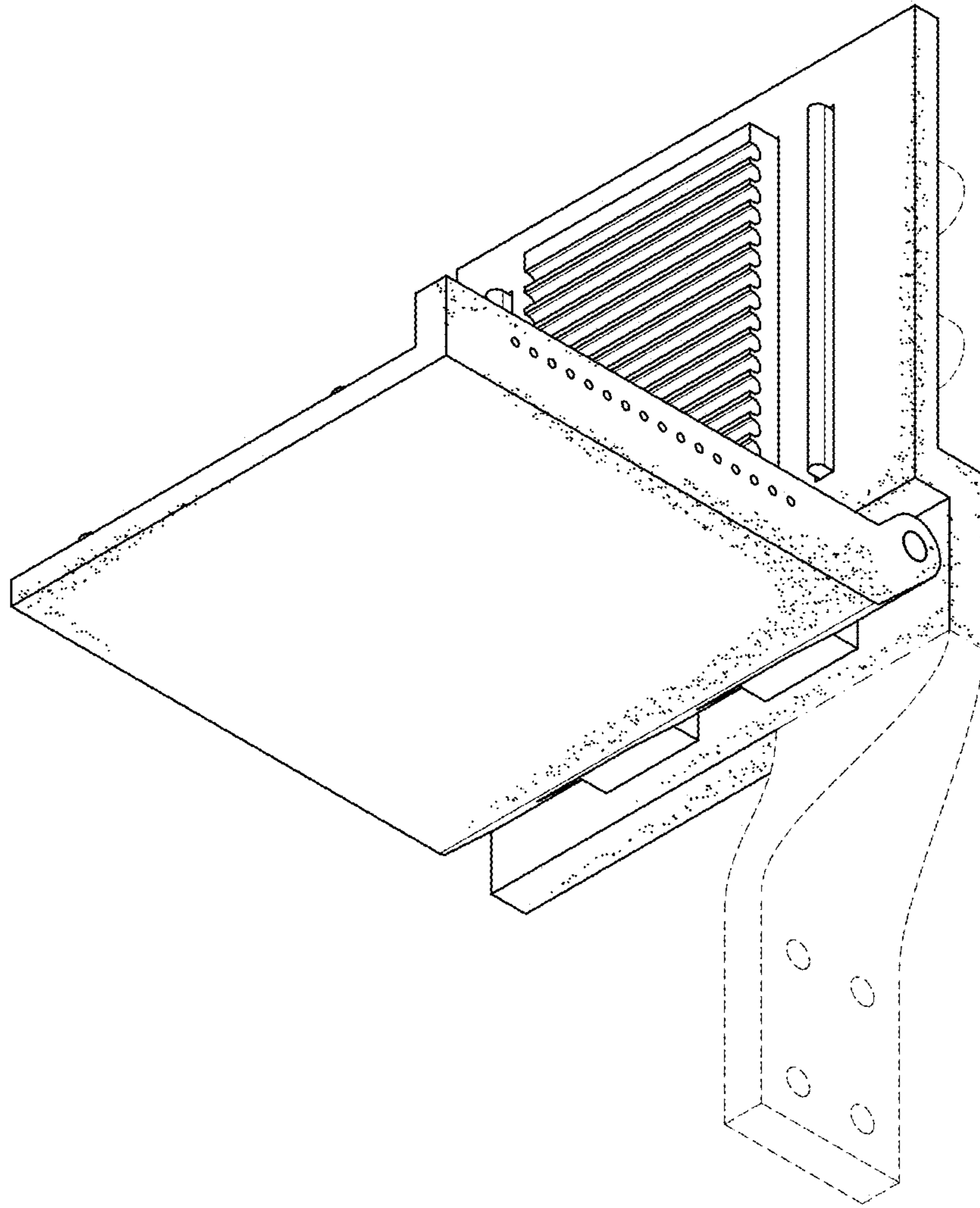


FIG. 14

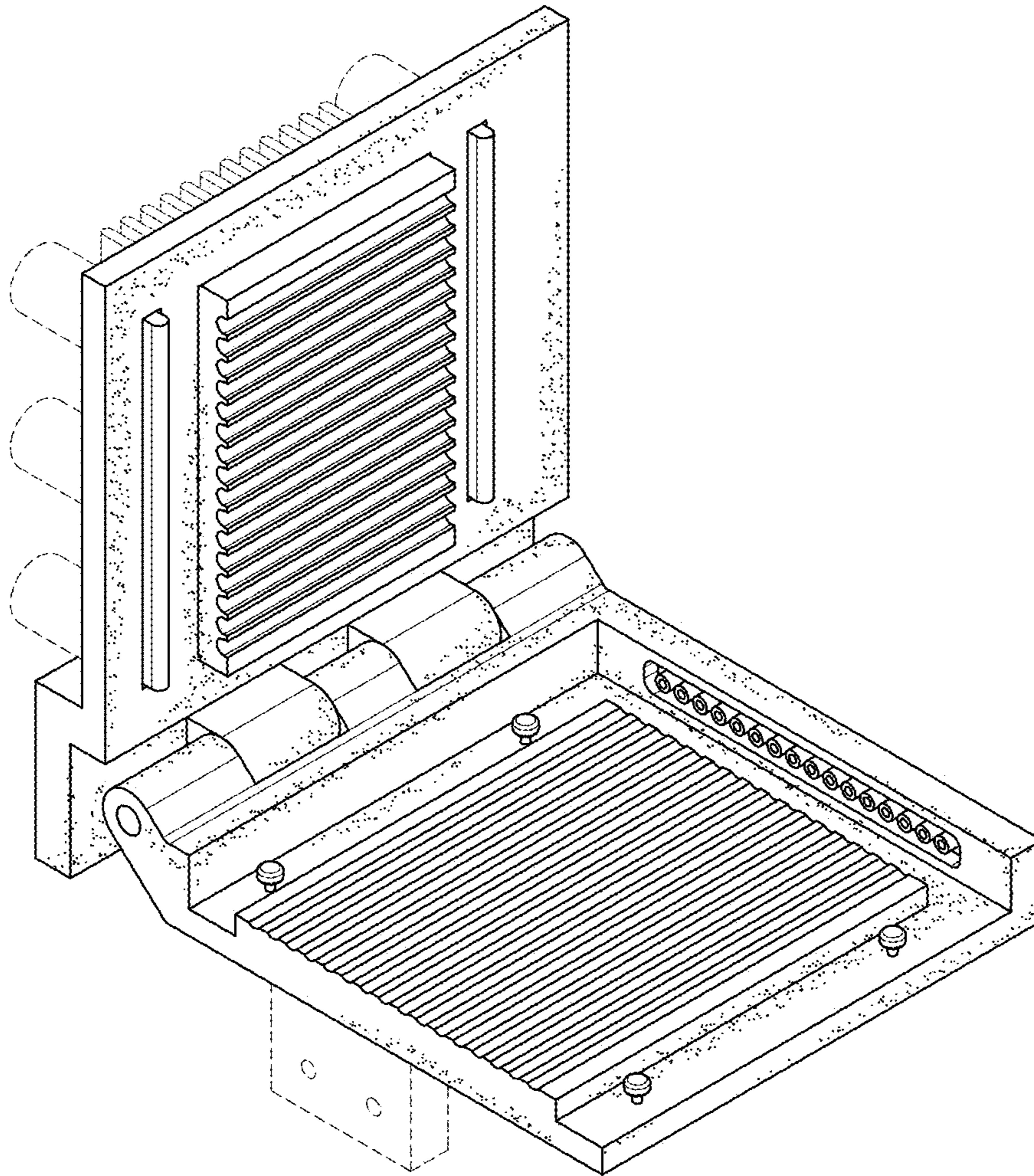


FIG. 15



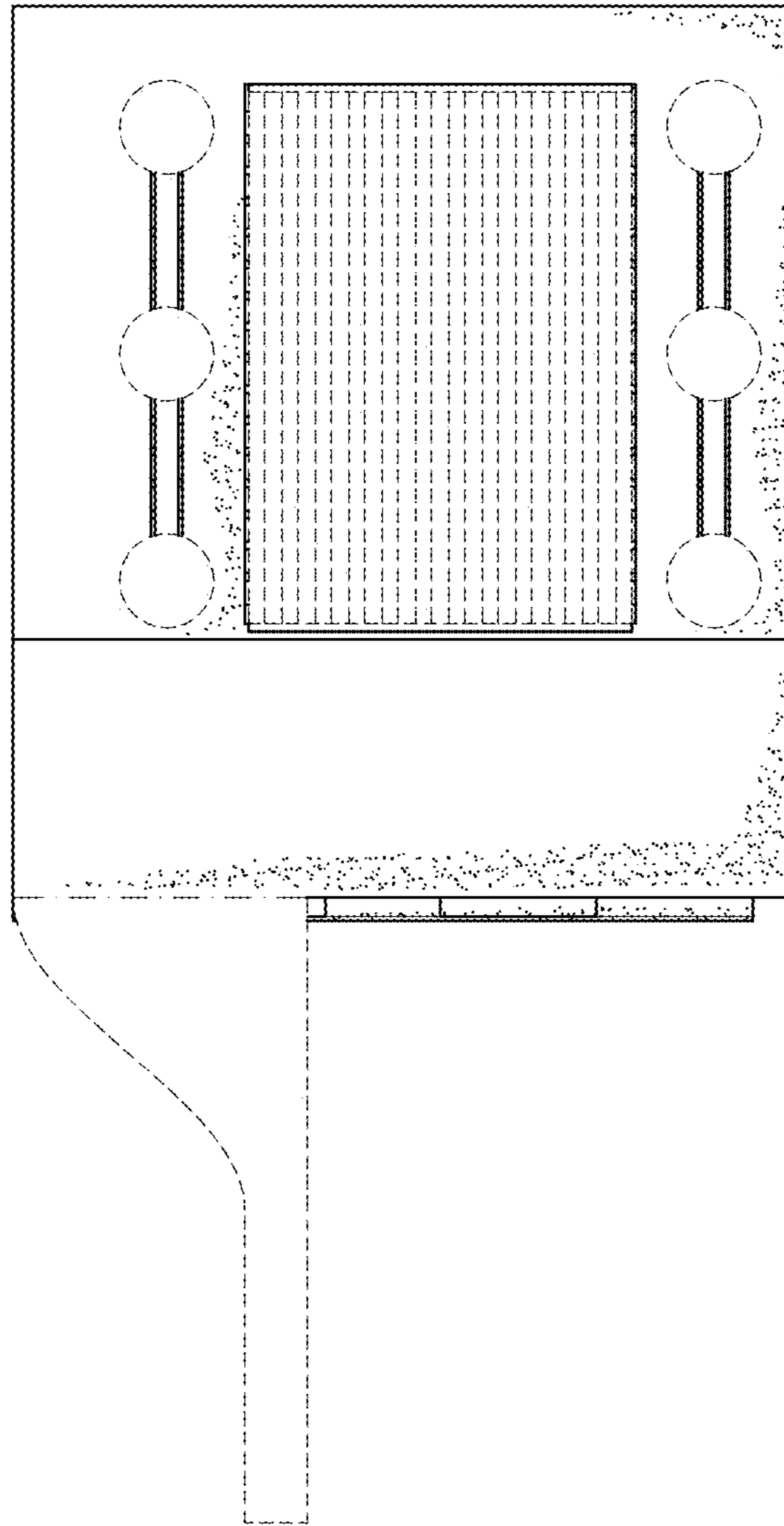


FIG. 16

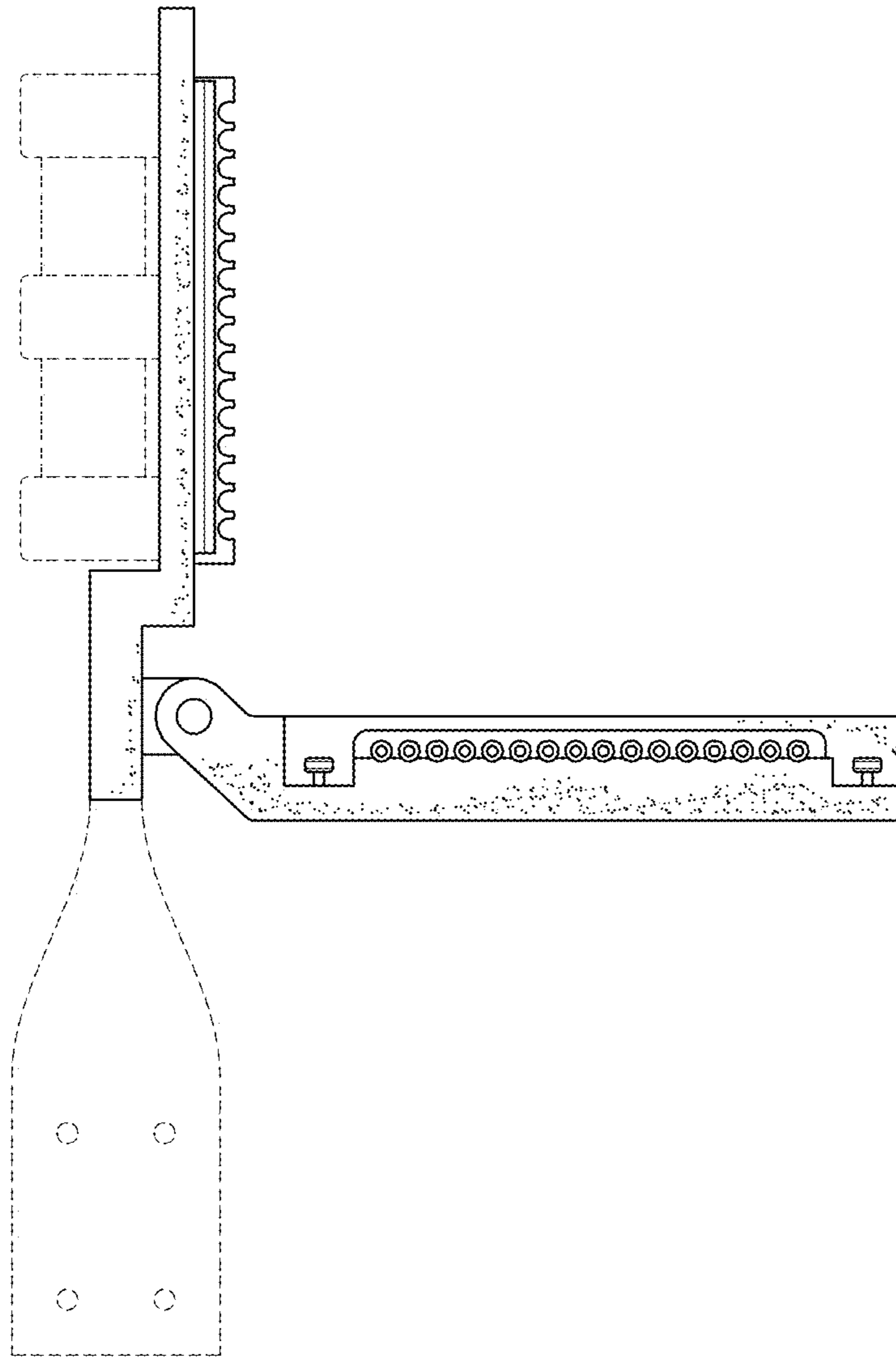


FIG. 17

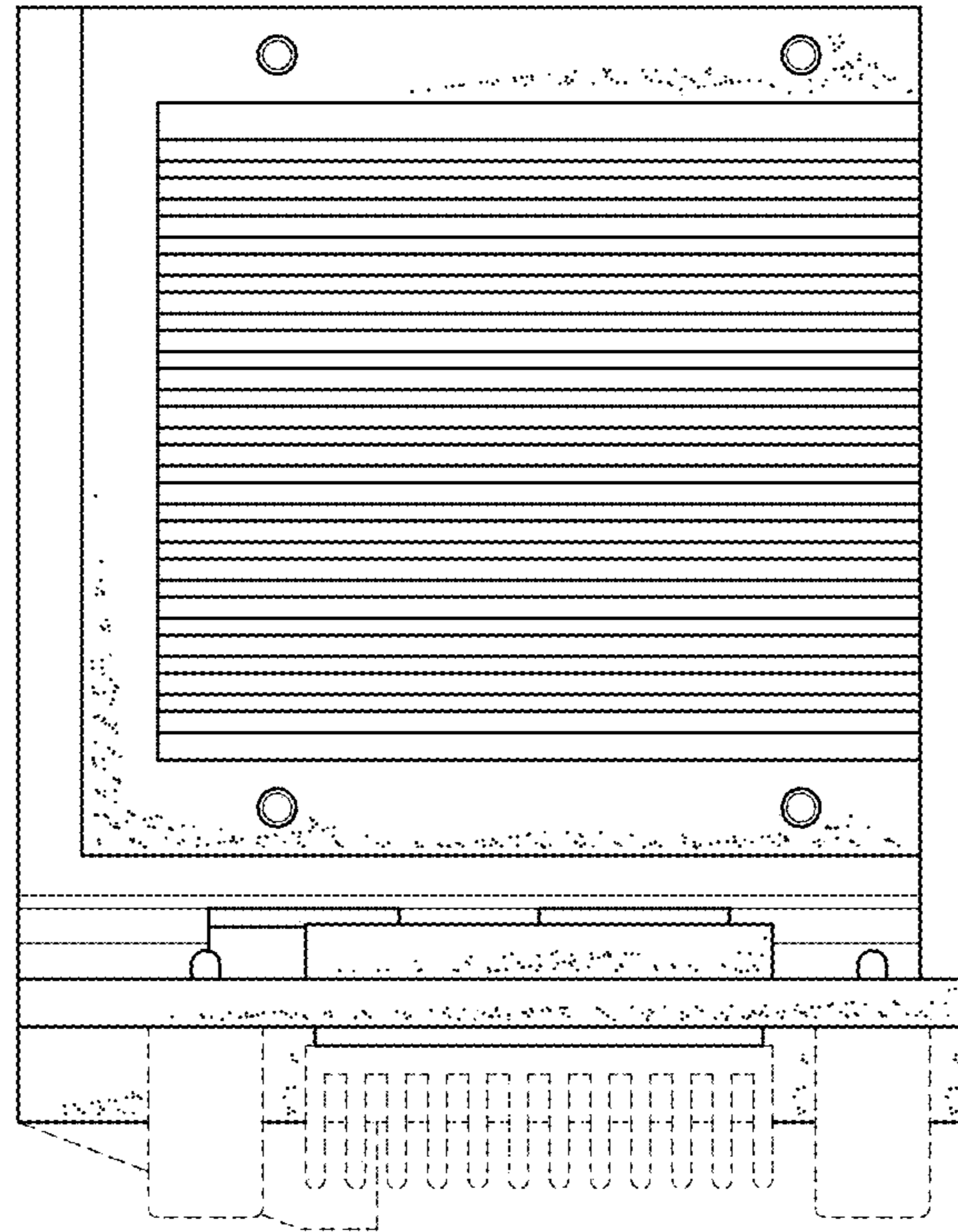


FIG. 18

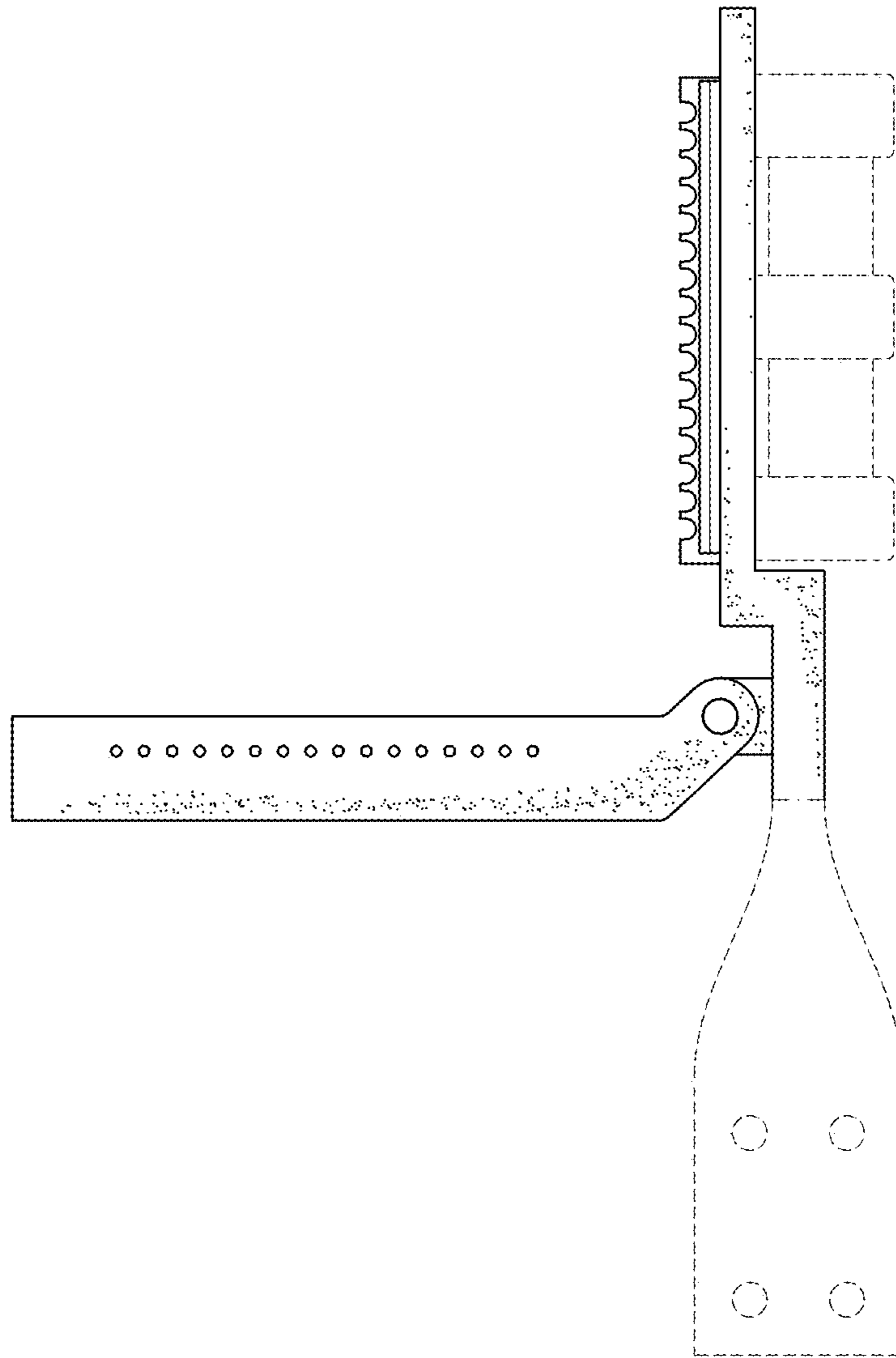


FIG. 19

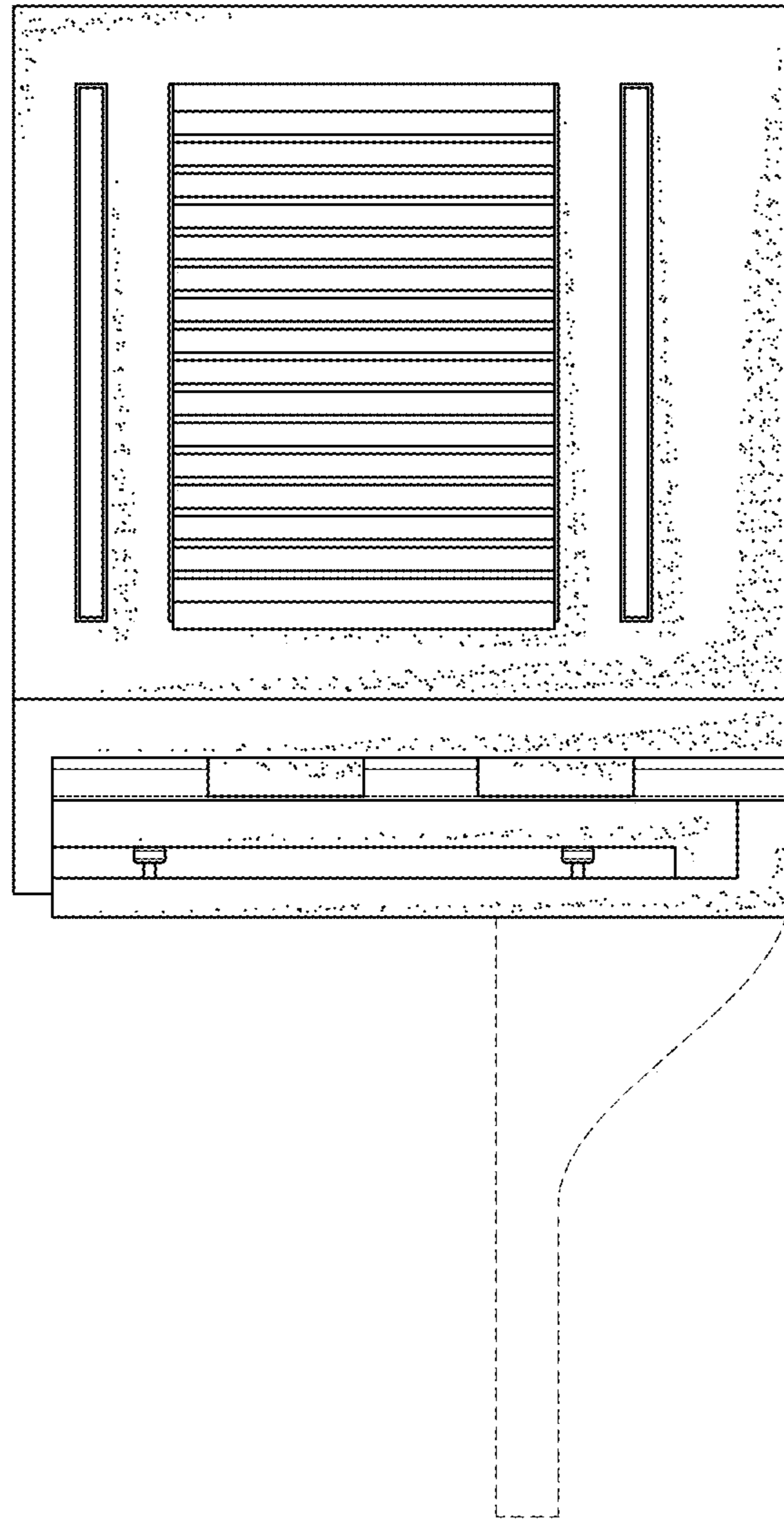


FIG. 20

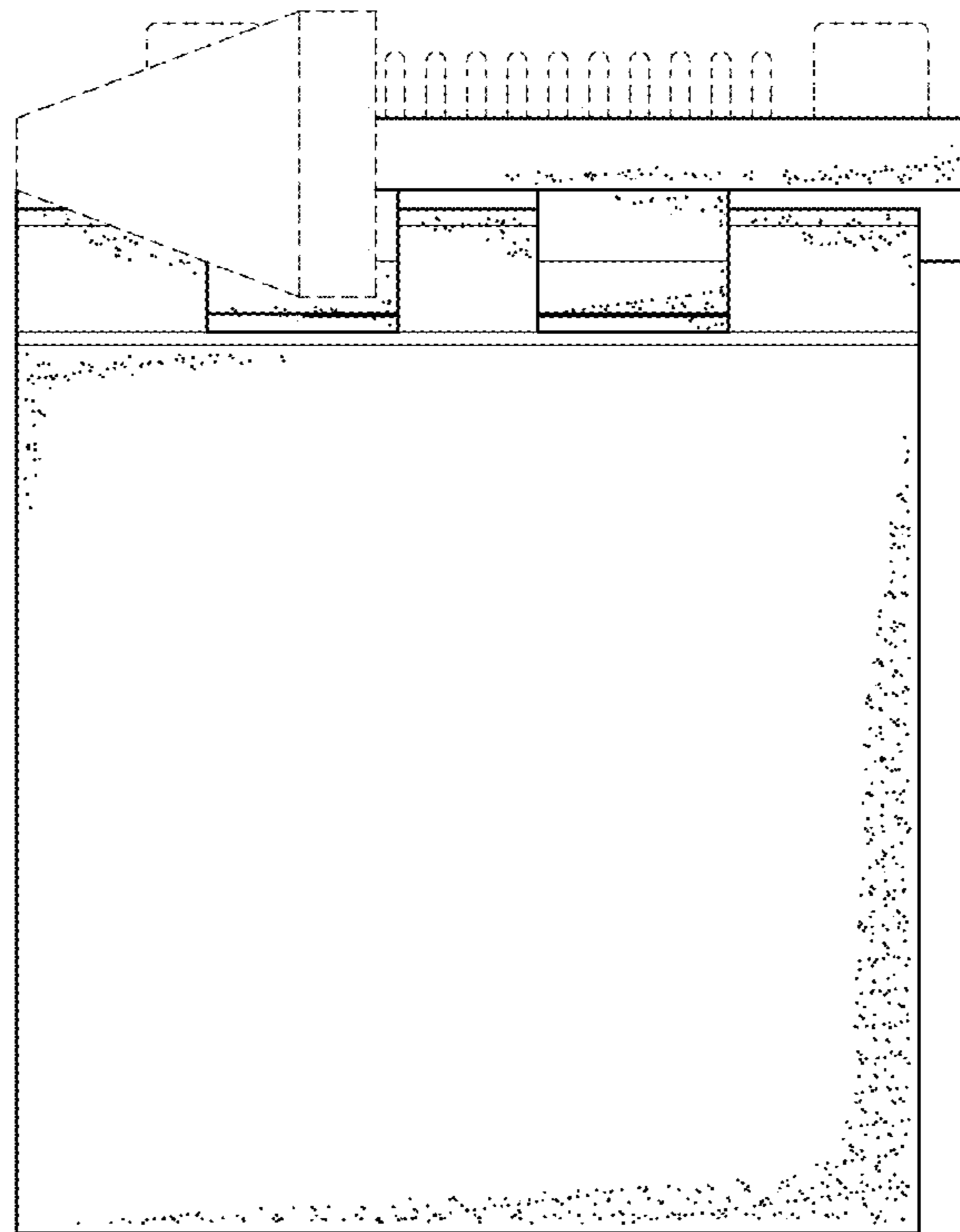


FIG. 21