



US00D907793S

(12) **United States Design Patent** (10) **Patent No.:** **US D907,793 S**  
**Chang et al.** (45) **Date of Patent:** **\*\* Jan. 12, 2021**

(54) **ASSAY PROCESSING SYSTEM**  
(71) Applicant: **Cepheid**, Sunnyvale, CA (US)  
(72) Inventors: **Ronald Chang**, Redwood City, CA (US); **Steven M. Montgomery**, Los Angeles, CA (US); **Gregory Mote**, Sunnyvale, CA (US)

(73) Assignee: **Cepheid**, Sunnyvale, CA (US)  
(\*\*) Term: **15 Years**

(21) Appl. No.: **29/647,906**

(22) Filed: **May 16, 2018**

**Related U.S. Application Data**

(63) Continuation of application No. 15/816,960, filed on Nov. 17, 2017, and a continuation of application No. PCT/US2017/062419, filed on Nov. 17, 2017.

(51) **LOC (13) Cl.** ..... **24-01**

(52) **U.S. Cl.**  
USPC ..... **D24/216**

(58) **Field of Classification Search**  
USPC ..... D24/107, 185, 186, 216, 231-234;  
D10/81  
CPC ..... G01N 2035/00306; G01N 2035/00326;  
G01N 2030/027; G01N 35/1085; G01N  
2021/6432; C12Q 1/6869; C12Q 1/6806  
See application file for complete search history.

(56) **References Cited**

**U.S. PATENT DOCUMENTS**

6,374,684 B1 \* 4/2002 Dority ..... G01N 35/1097  
73/864.81  
D484,982 S \* 1/2004 Cruz ..... D24/169

D738,525 S \* 9/2015 Muraoka ..... D24/216  
D775,363 S \* 12/2016 Chang ..... D24/216  
D800,000 S \* 10/2017 Barton ..... D24/216  
D804,049 S \* 11/2017 Chang ..... D24/216  
D825,778 S \* 8/2018 Brenner ..... D24/232  
D841,188 S \* 2/2019 Choudhary ..... D24/232  
2018/0143215 A1 \* 5/2018 Chang ..... G01N 35/00732

\* cited by examiner

*Primary Examiner* — Anhdao Doan

(74) *Attorney, Agent, or Firm* — Kilpatrick Townsend & Stockton LLP

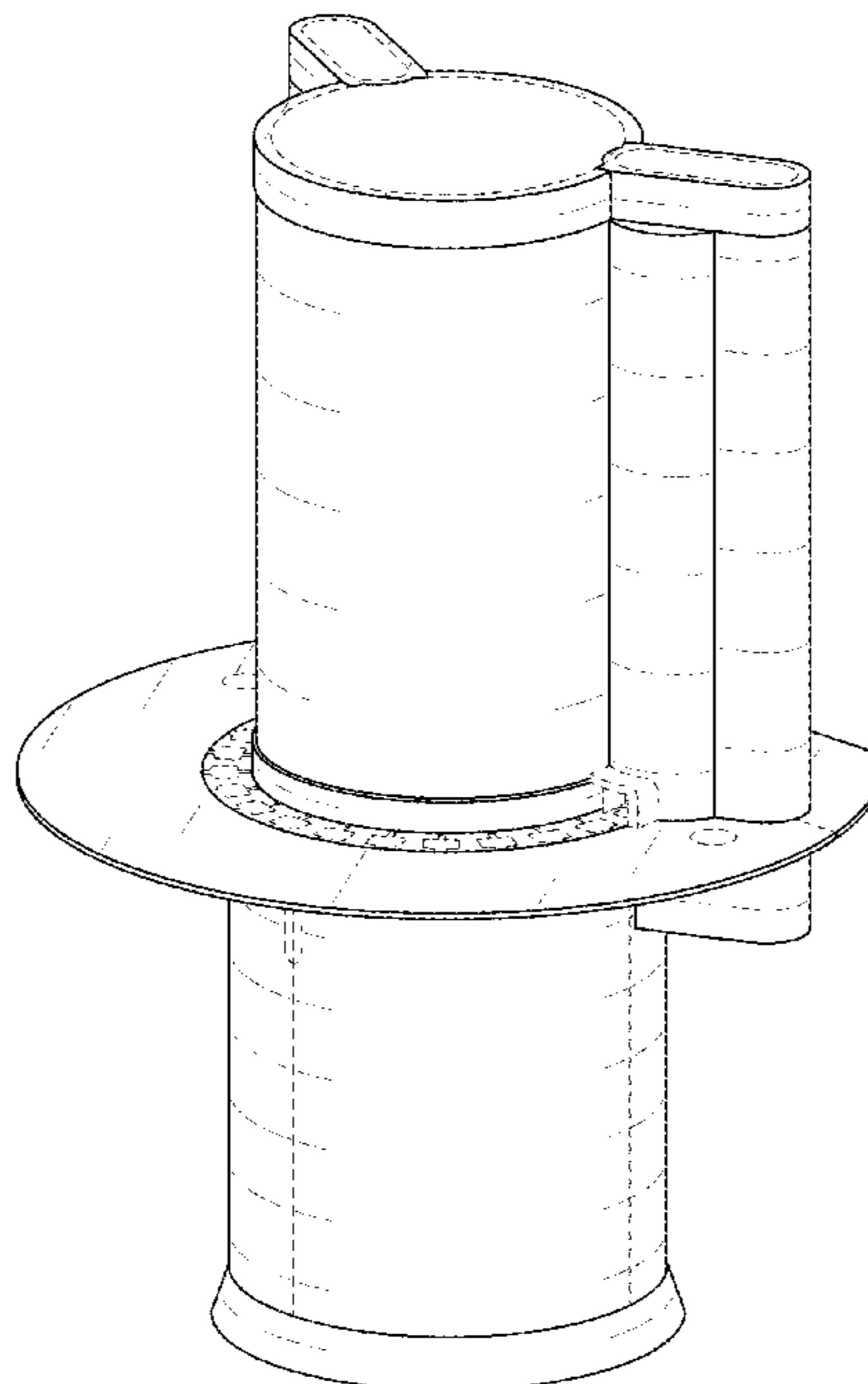
(57) **CLAIM**

The ornamental design for an assay processing system, as shown and described.

**DESCRIPTION**

FIG. 1 is a front perspective view of the assay processing system showing our new design;  
FIG. 2 is a rear perspective view thereof;  
FIG. 3 is a front elevational view thereof;  
FIG. 4 is a rear elevational view thereof;  
FIG. 5 is a right side elevational view thereof;  
FIG. 6 is a left side elevational view thereof;  
FIG. 7 is a top plan view thereof;  
FIG. 8 is a bottom plan view thereof; and,  
FIG. 9 is an underside rear perspective view thereof.  
The broken lines immediately adjacent the shaded areas represent the bounds of the claim, while all other broken lines are directed to environment the broken lines form no part of the claimed design.

**1 Claim, 9 Drawing Sheets**



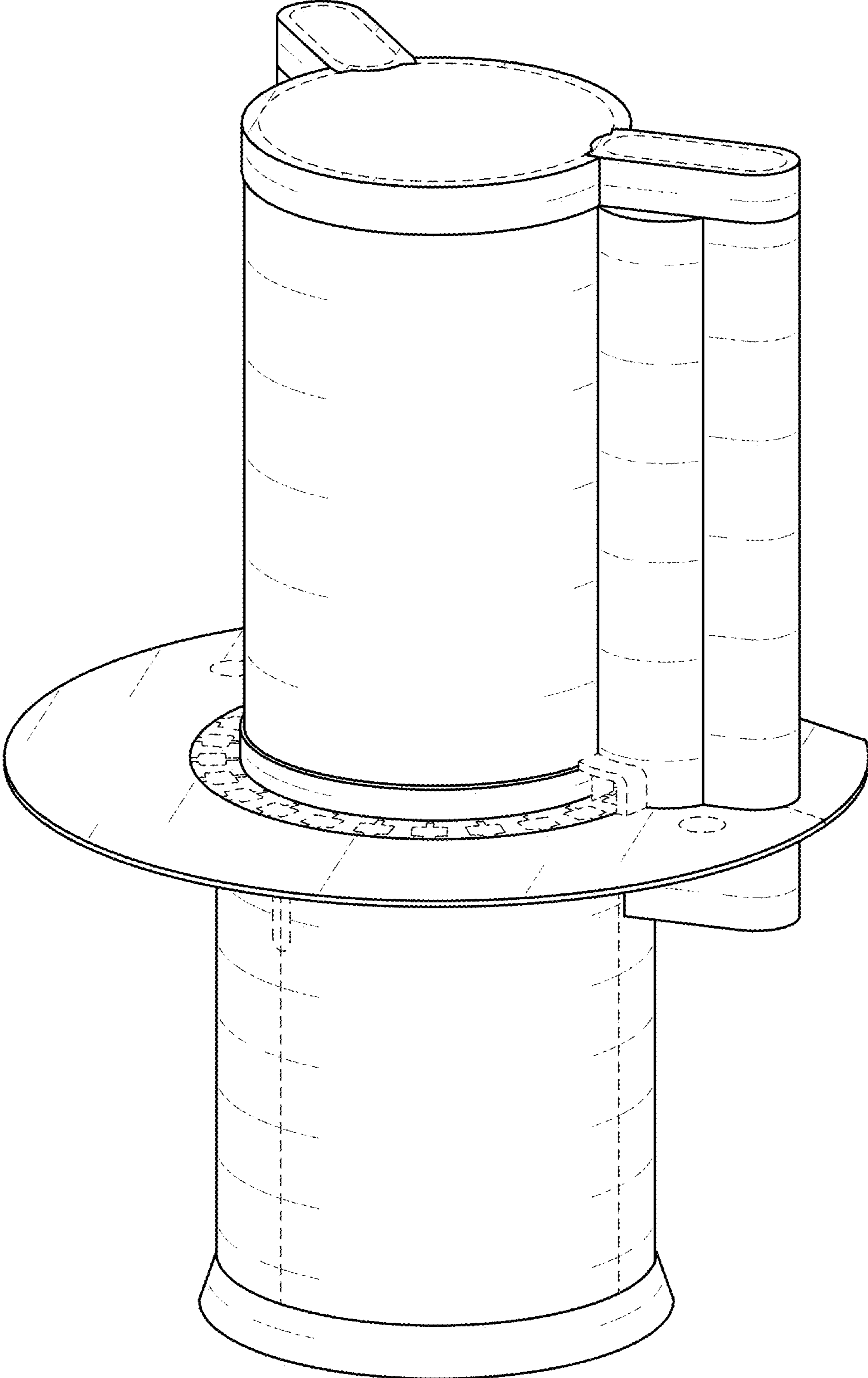


Figure 1

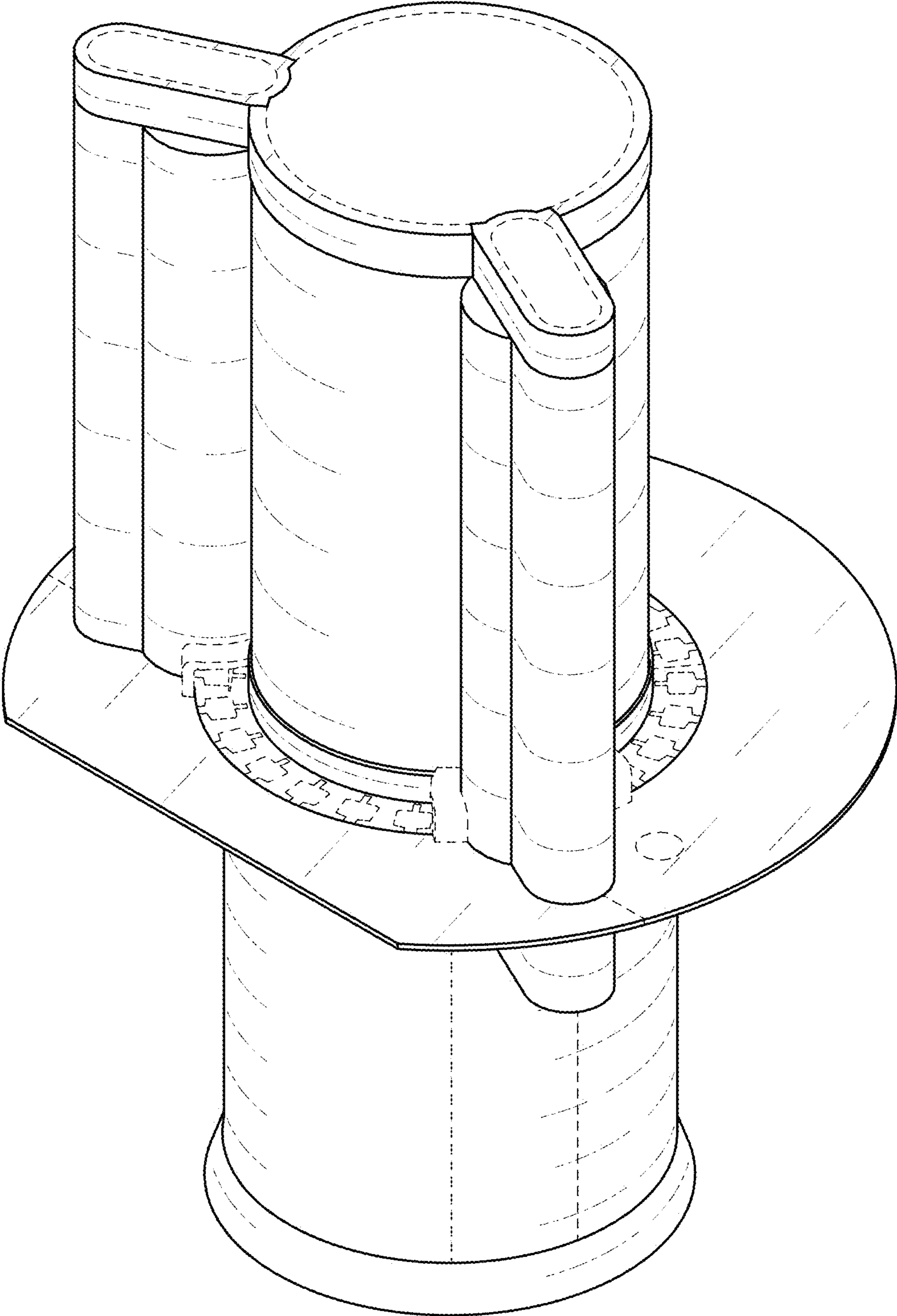


Figure 2

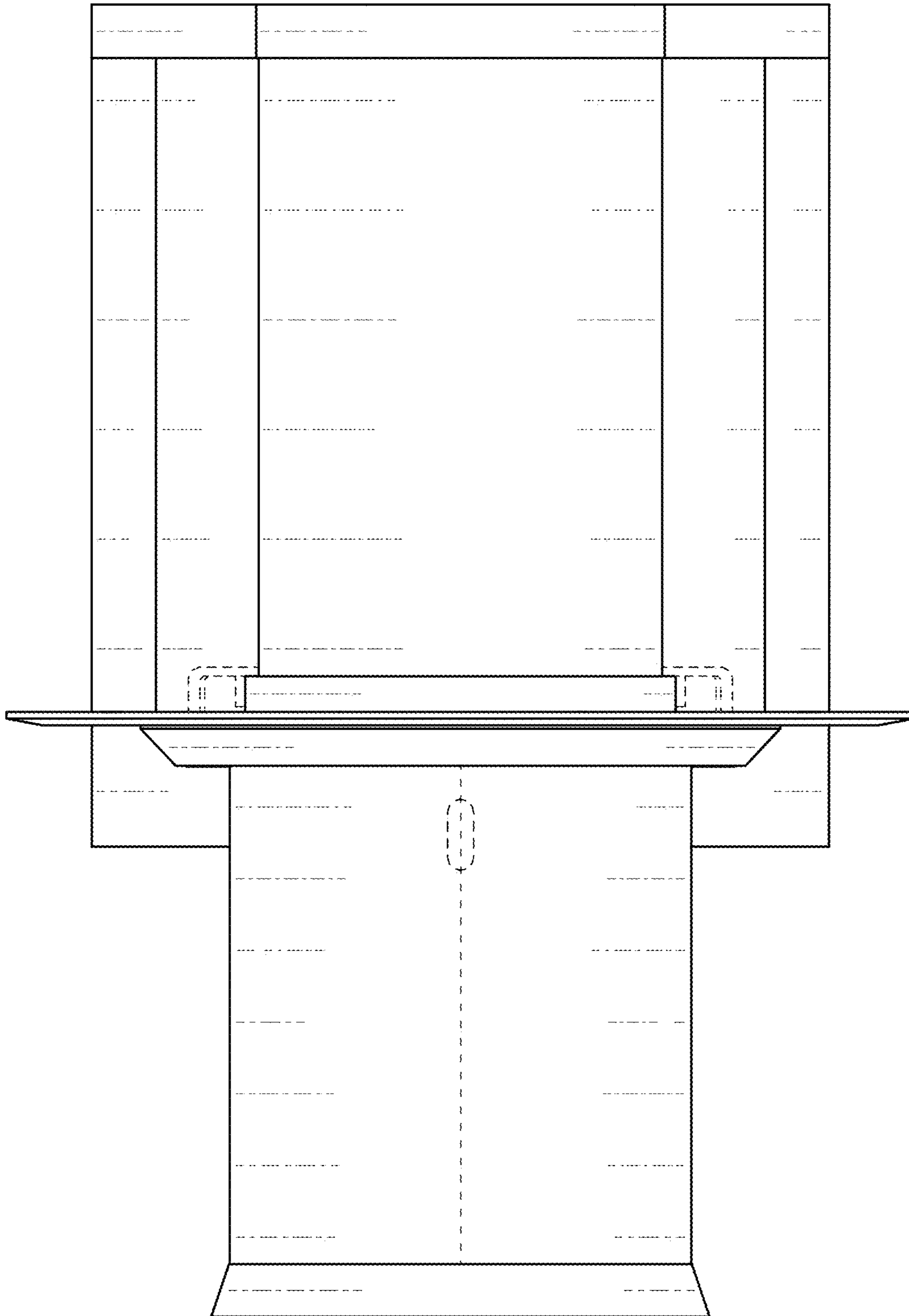


Figure 3

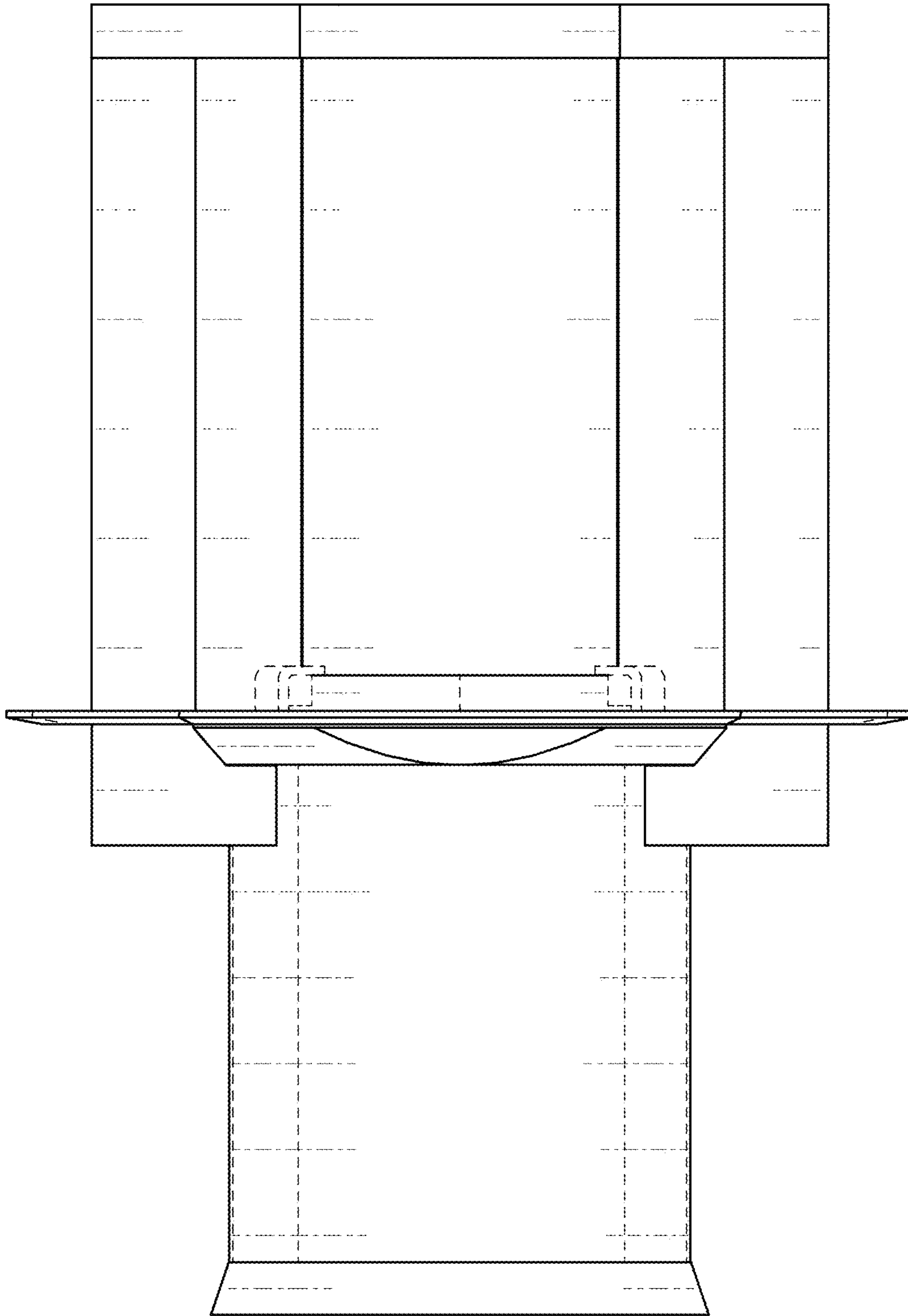


Figure 4

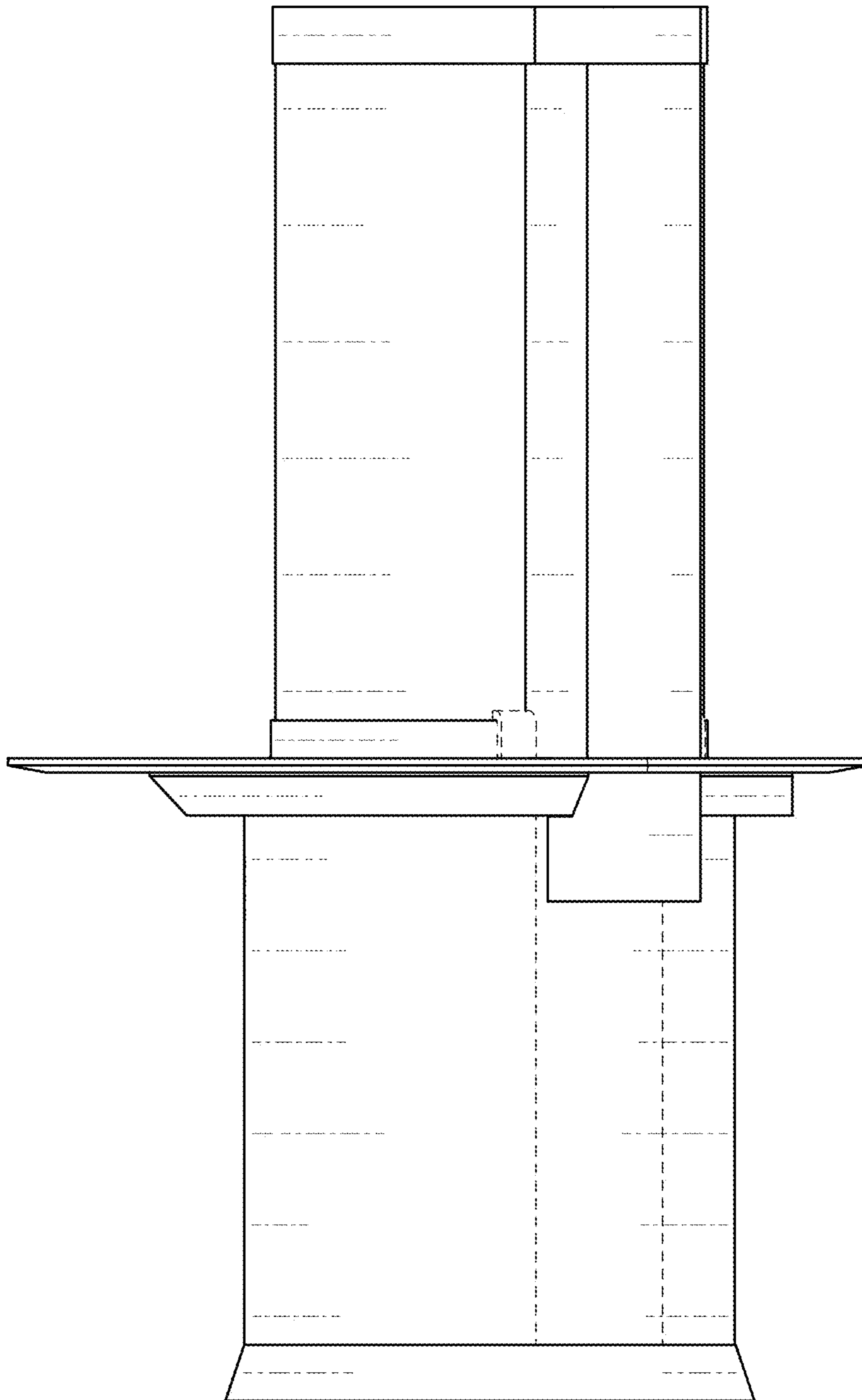


Figure 5

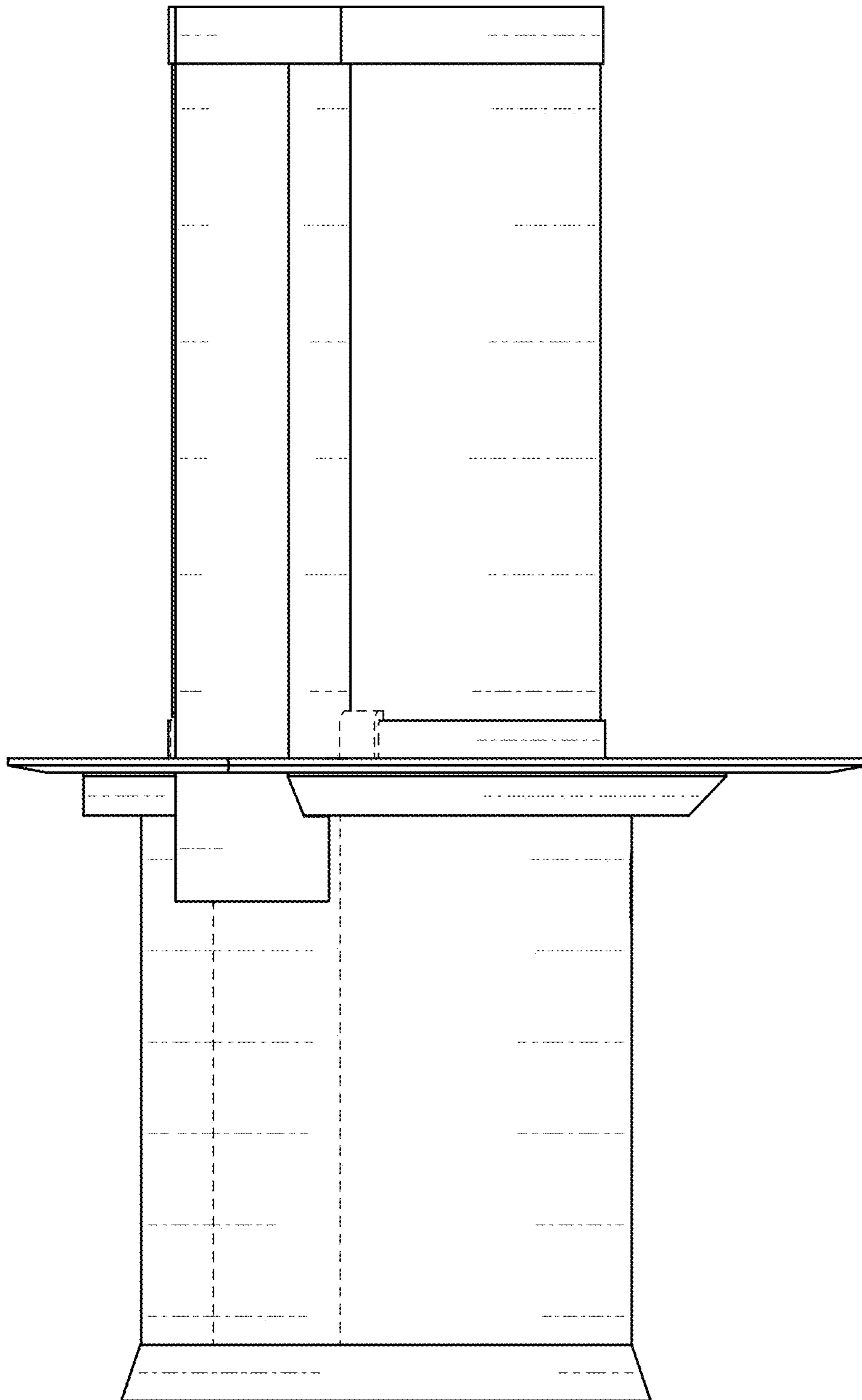


Figure 6

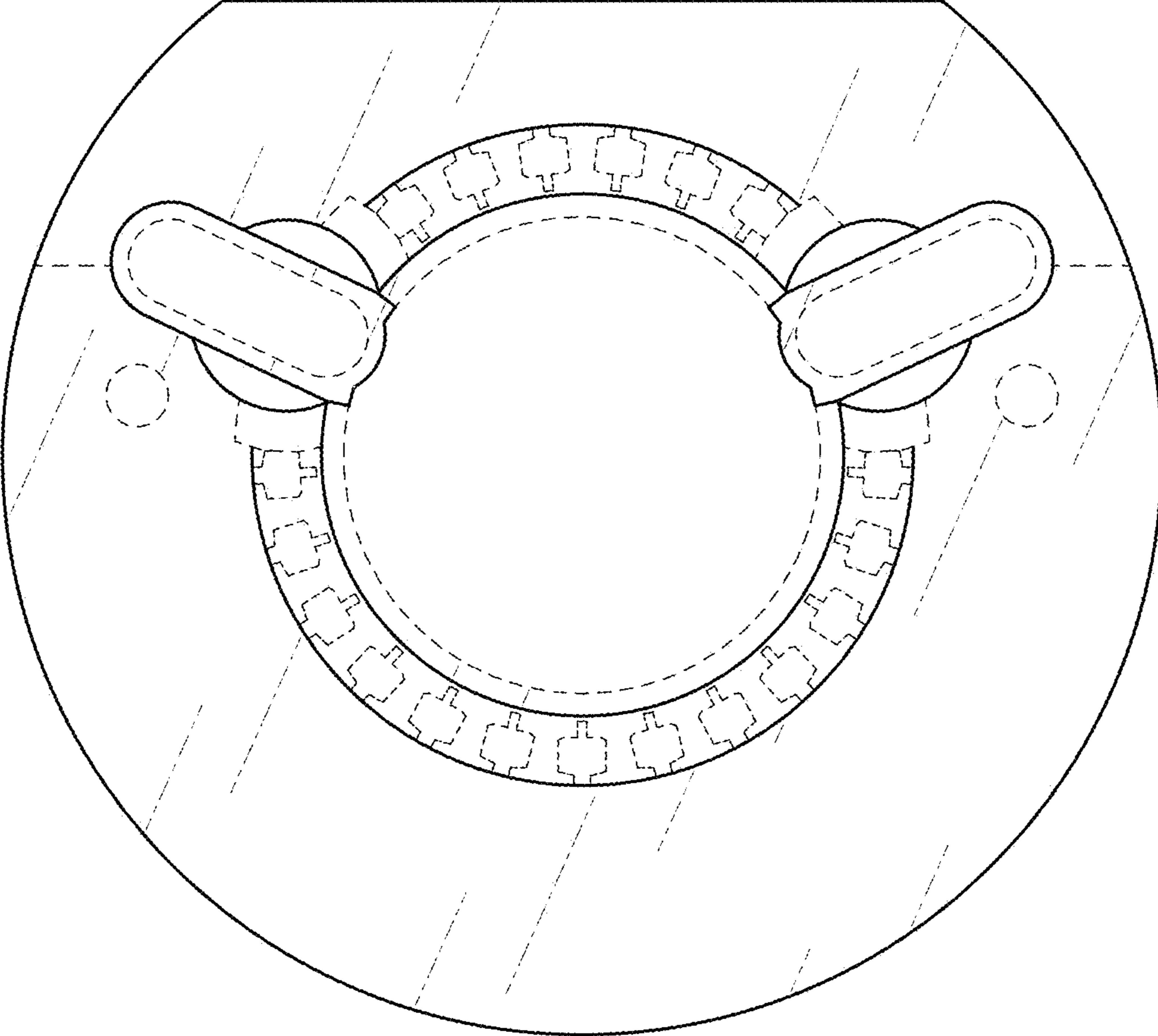


Figure 7



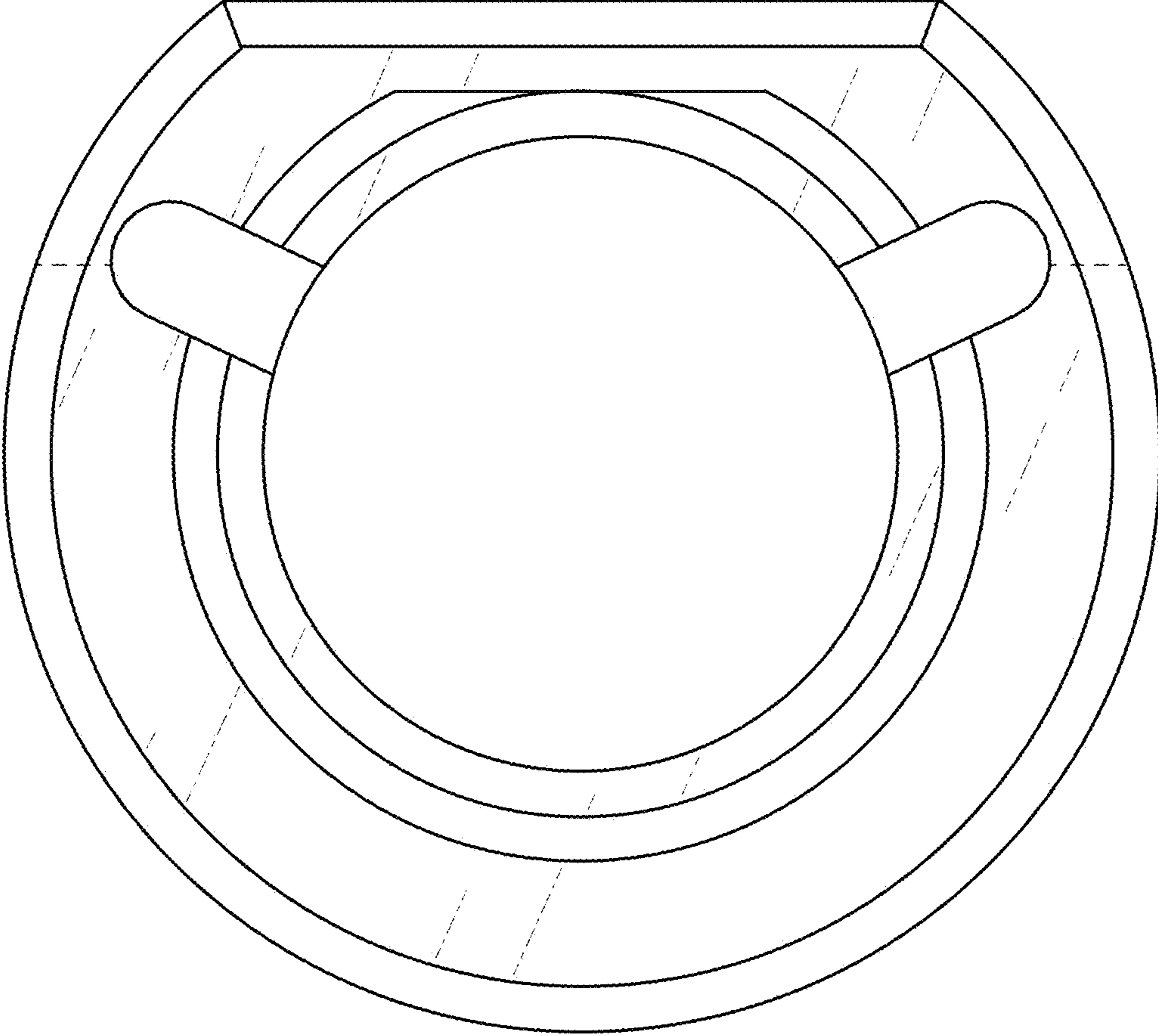


Figure 8

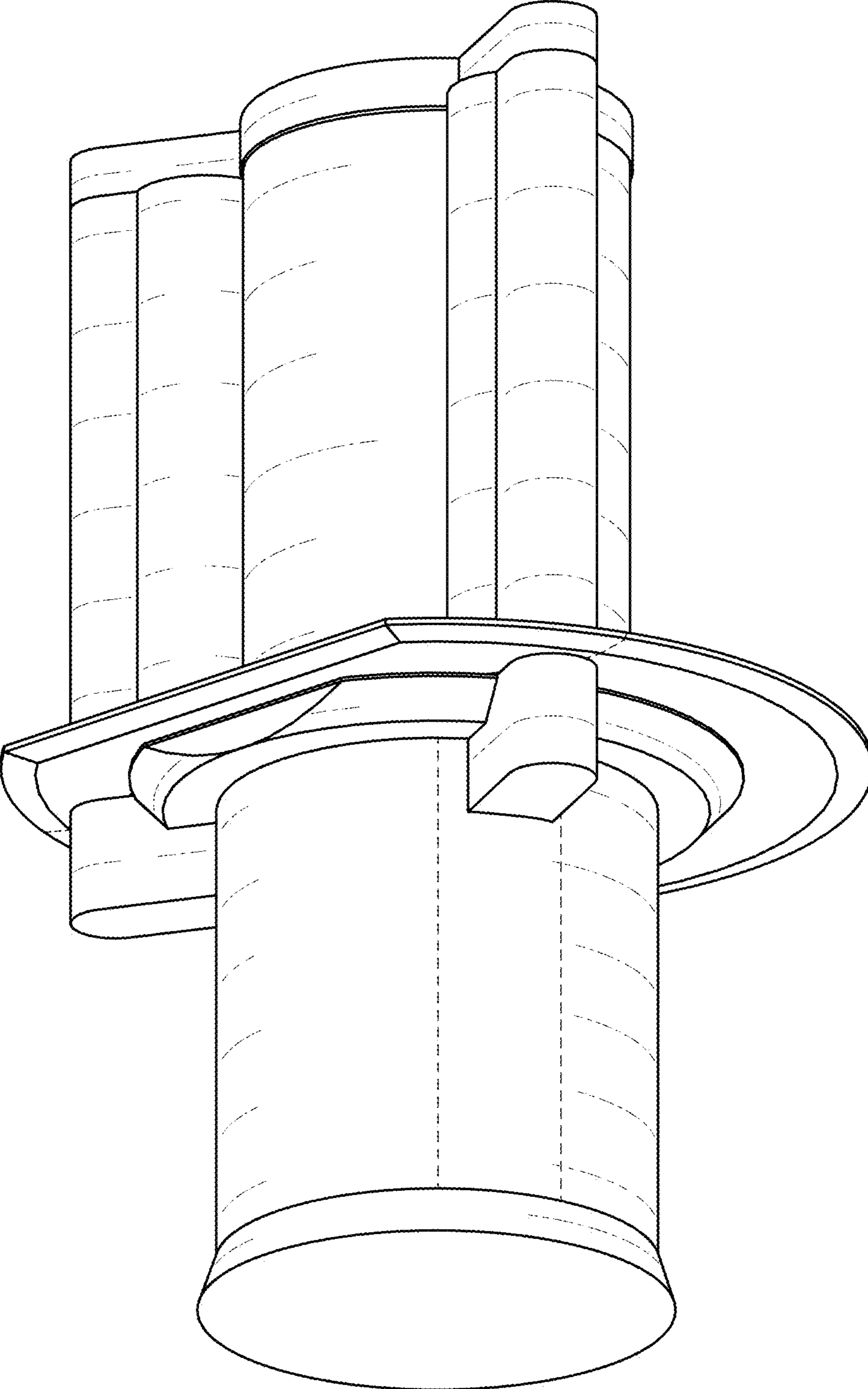


Figure 9