



US00D907792S

(12) **United States Design Patent** (10) **Patent No.:** **US D907,792 S**  
**Marton et al.** (45) **Date of Patent:** **\*\* \*Jan. 12, 2021**

(54) **APPLICATOR HEAD FOR PERCUSSIVE MASSAGE DEVICE**

(71) Applicant: **Hyper Ice, Inc.**, Irvine, CA (US)

(72) Inventors: **Robert Marton**, Yorba Linda, CA (US); **Anthony Katz**, Laguna Niguel, CA (US)

(73) Assignee: **Hyper Ice, Inc.**, Irvine, CA (US)

(\*) Notice: This patent is subject to a terminal disclaimer.

(\*\*) Term: **15 Years**

(21) Appl. No.: **29/694,387**

(22) Filed: **Jun. 10, 2019**

**Related U.S. Application Data**

(63) Continuation-in-part of application No. 29/694,192, filed on Jun. 7, 2019.

(51) **LOC (13) Cl.** ..... **28-03**

(52) **U.S. Cl.**  
USPC ..... **D24/215**

(58) **Field of Classification Search**  
USPC ..... D24/200, 211, 212, 213, 214, 215;  
D30/160; D4/113  
CPC ..... A61H 15/00; A61H 2015/0064  
See application file for complete search history.

(56) **References Cited**

**U.S. PATENT DOCUMENTS**

D197,889 S *	4/1964	Hass	.....	D24/194
D263,077 S *	2/1982	Stanton	.....	D24/212
D277,983 S *	3/1985	Kaminski	.....	D24/214
D281,723 S *	12/1985	Alstead	.....	D24/214
D306,344 S *	2/1990	Watkins	.....	D24/201
D319,854 S *	9/1991	Geary	.....	D21/662
D357,322 S *	4/1995	Matthews	.....	D24/200

5,577,983 A *	11/1996	Fraser	.....	A63B 23/032 433/140
D377,100 S *	12/1996	Gladieux, Jr.	.....	D24/211
6,758,826 B2	7/2004	Luetngen et al.		
7,169,169 B2 *	1/2007	Tucek	.....	A61H 1/008 601/108
D548,354 S *	8/2007	Lai	.....	D24/214
D581,542 S *	11/2008	Ferber	.....	D24/214
D581,543 S *	11/2008	Ferber	.....	D24/215

(Continued)

**OTHER PUBLICATIONS**

Hyperice, "Hypervolt Applicator Set", Aug. 5, 2020. <https://hyperice.com/hypervolt-applicator-set>. Shown on p. 1. (Year: 2020).\*

(Continued)

*Primary Examiner* — Cynthia Ramirez

*Assistant Examiner* — Michael A Maharajh

(74) *Attorney, Agent, or Firm* — Patterson Intellectual Property Law, P.C.; Jerry Turner Sewell

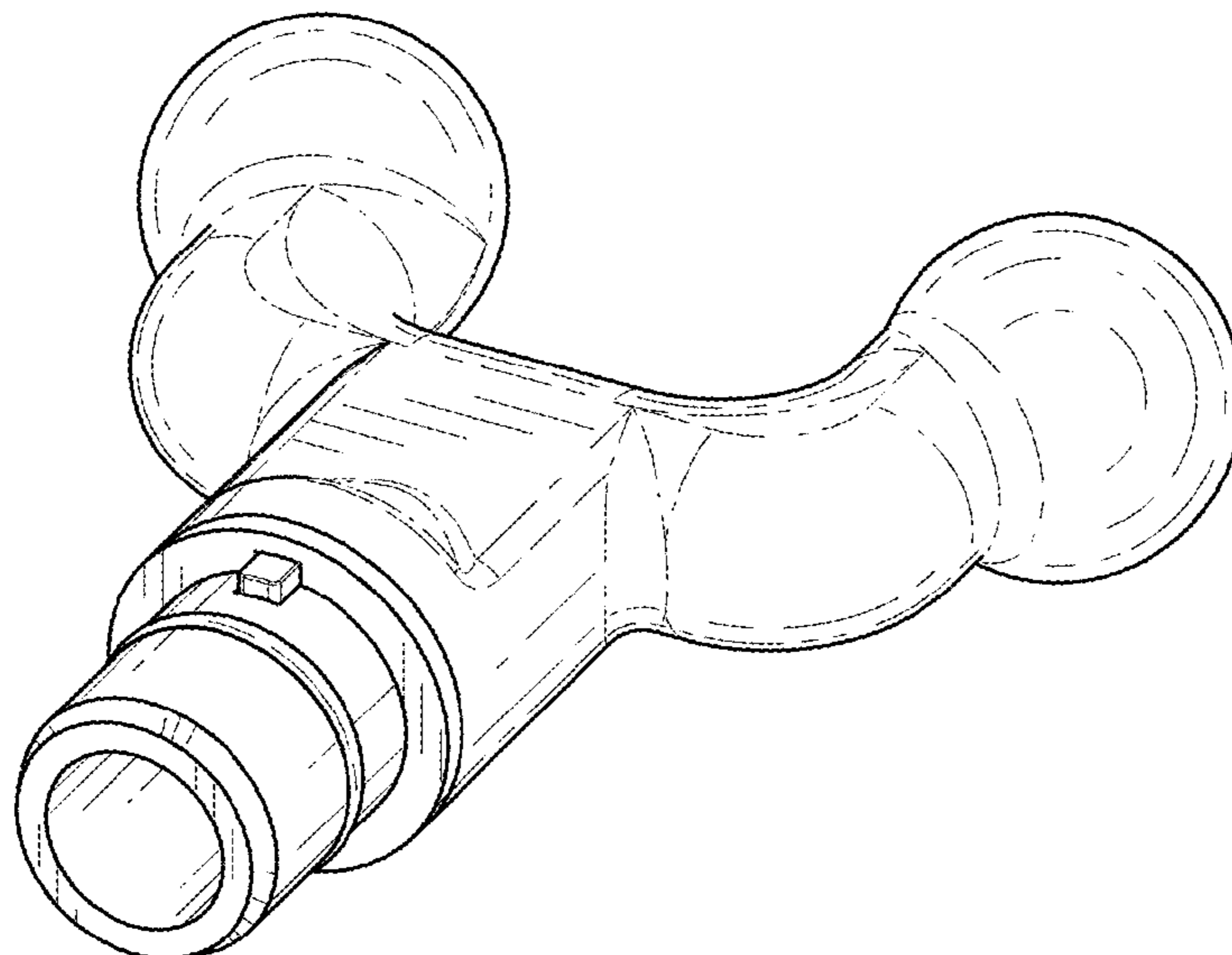
(57) **CLAIM**

The ornamental design for an applicator head for percussive massage device, as shown and described.

**DESCRIPTION**

FIG. 1 is an upper front perspective view of an applicator head for percussive massage device, showing our new design;  
FIG. 2 is a lower front perspective view thereof;  
FIG. 3 is an upper rear perspective view thereof;  
FIG. 4 is a lower rear perspective view thereof;  
FIG. 5 is a top plan view thereof;  
FIG. 6 is a bottom plan view thereof;  
FIG. 7 is a left side view thereof;  
FIG. 8 is a right side view thereof;  
FIG. 9 is a front view thereof; and,  
FIG. 10 is a rear view thereof.

**1 Claim, 4 Drawing Sheets**



(56)

References Cited

U.S. PATENT DOCUMENTS

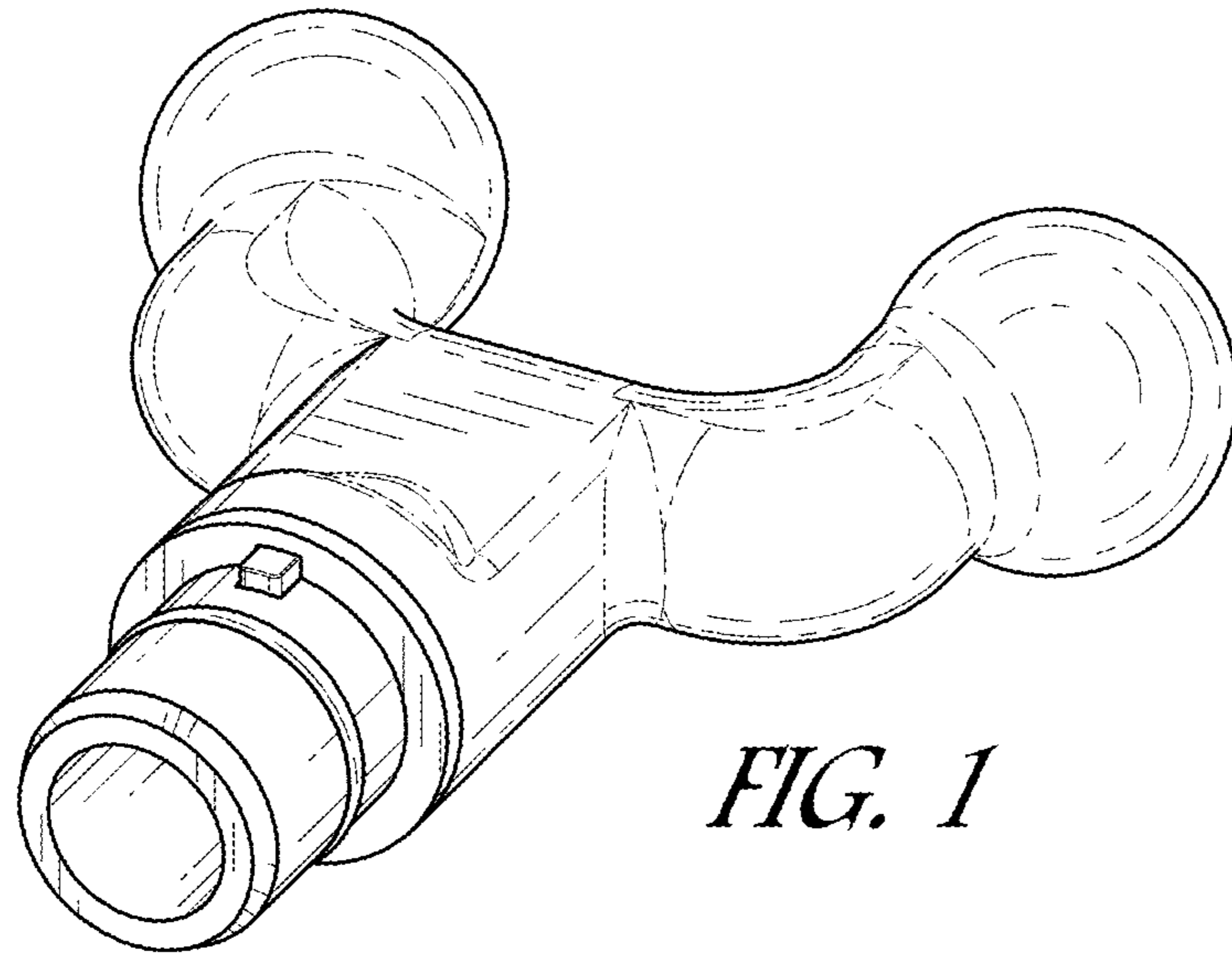
D582,049 S \* 12/2008 Ferber ..... D24/214  
 7,481,783 B1 \* 1/2009 Kelley ..... A61H 15/0092  
 601/128  
 D607,116 S \* 12/2009 Morganstern ..... D24/211  
 D615,662 S \* 5/2010 Turner ..... D24/200  
 D627,897 S \* 11/2010 Yde ..... D24/214  
 D650,086 S \* 12/2011 Fuster ..... D24/215  
 D650,087 S \* 12/2011 Huang ..... D24/215  
 8,083,699 B2 12/2011 Colloca et al.  
 D667,131 S \* 9/2012 Faussett ..... D24/215  
 D673,285 S \* 12/2012 Rivero ..... D24/215  
 D719,273 S \* 12/2014 Chen ..... D24/215  
 D719,274 S \* 12/2014 Chen ..... D24/215  
 D725,790 S \* 3/2015 Givord ..... D24/214  
 D732,184 S \* 6/2015 Chou ..... D24/215  
 D755,985 S \* 5/2016 Porat ..... D24/215  
 D810,280 S \* 2/2018 Tharp ..... D24/112  
 D830,569 S \* 10/2018 Solomon ..... D24/215  
 D837,395 S \* 1/2019 Gan ..... D24/214  
 D844,163 S \* 3/2019 Du ..... D24/215  
 D845,499 S \* 4/2019 Wersland ..... D24/211  
 10,314,762 B1 6/2019 Marton et al.  
 D865,192 S \* 10/2019 Nazarian ..... D24/200

D872,295 S \* 1/2020 Friedman ..... D24/215  
 D890,353 S \* 7/2020 Nazarian ..... D24/200  
 D890,989 S \* 7/2020 Huchet ..... D28/7  
 D891,709 S \* 7/2020 Coopersmith ..... D30/158  
 2003/0195443 A1 10/2003 Miller  
 2004/0260213 A1 \* 12/2004 Szczepanski ..... A61H 15/0085  
 601/46  
 2005/0131461 A1 6/2005 Tucek et al.  
 2013/0289457 A1 \* 10/2013 Young ..... A61H 23/0263  
 601/160  
 2016/0151234 A1 \* 6/2016 Chen ..... A61H 15/0078  
 601/113  
 2016/0235625 A1 \* 8/2016 Lee ..... A61H 15/00  
 2016/0256348 A1 \* 9/2016 Giraud ..... A61H 15/0085  
 2019/0015294 A1 1/2019 Nazarian et al.  
 2019/0232403 A1 \* 8/2019 Candelaria ..... A61H 23/006

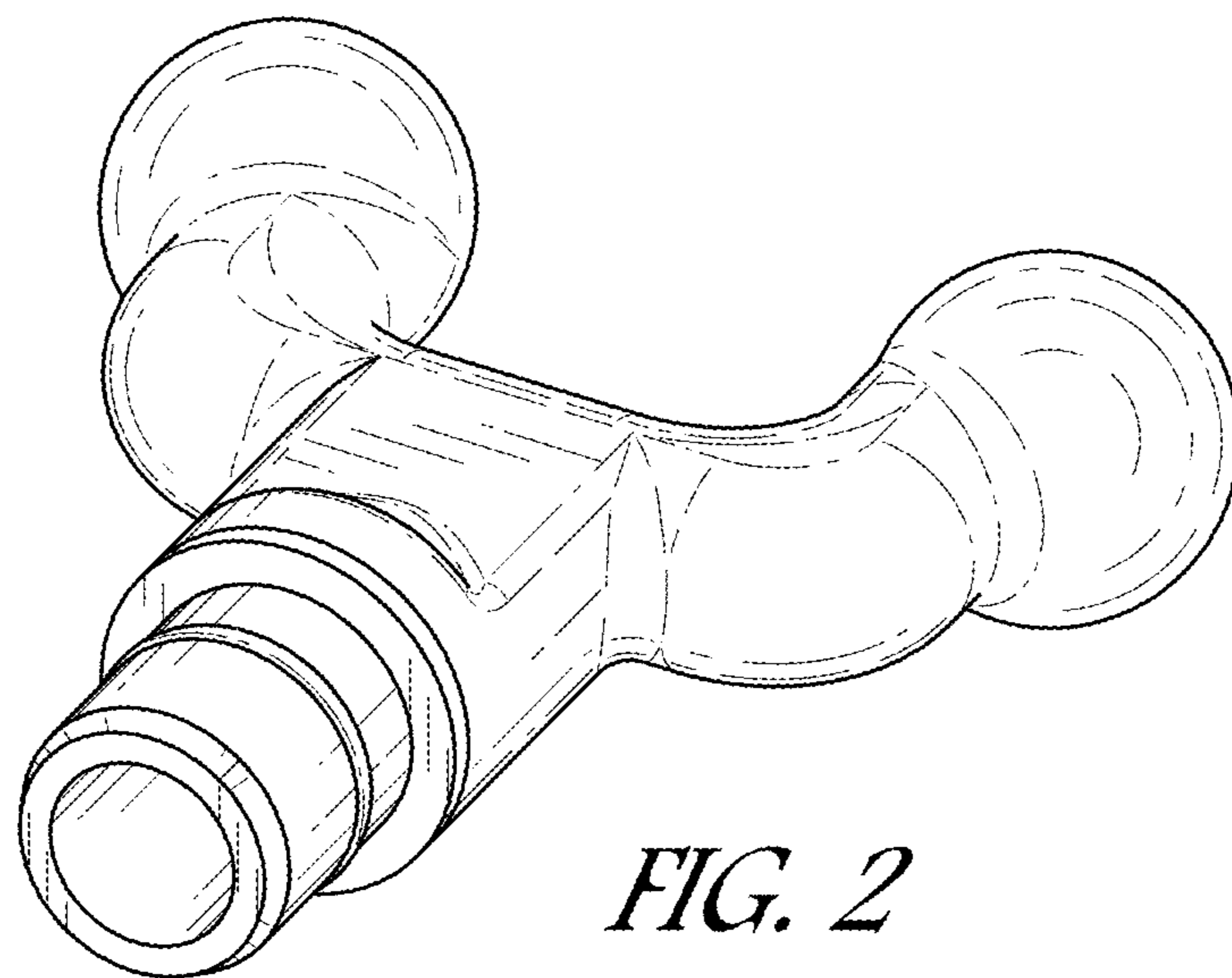
OTHER PUBLICATIONS

Amazon, "Hypervolt\_5 Interchangeable Attachment Heads", Sep. 7, 2018. [https://www.amazon.com/Hyperice-Hypervolt-Portable-Massage-Device/dp/B07BDLGRTN/ref=cm\\_cr\\_arp\\_d\\_product\\_top?ie=UTF8](https://www.amazon.com/Hyperice-Hypervolt-Portable-Massage-Device/dp/B07BDLGRTN/ref=cm_cr_arp_d_product_top?ie=UTF8). Shown on p. 1. (Year: 2018).\*

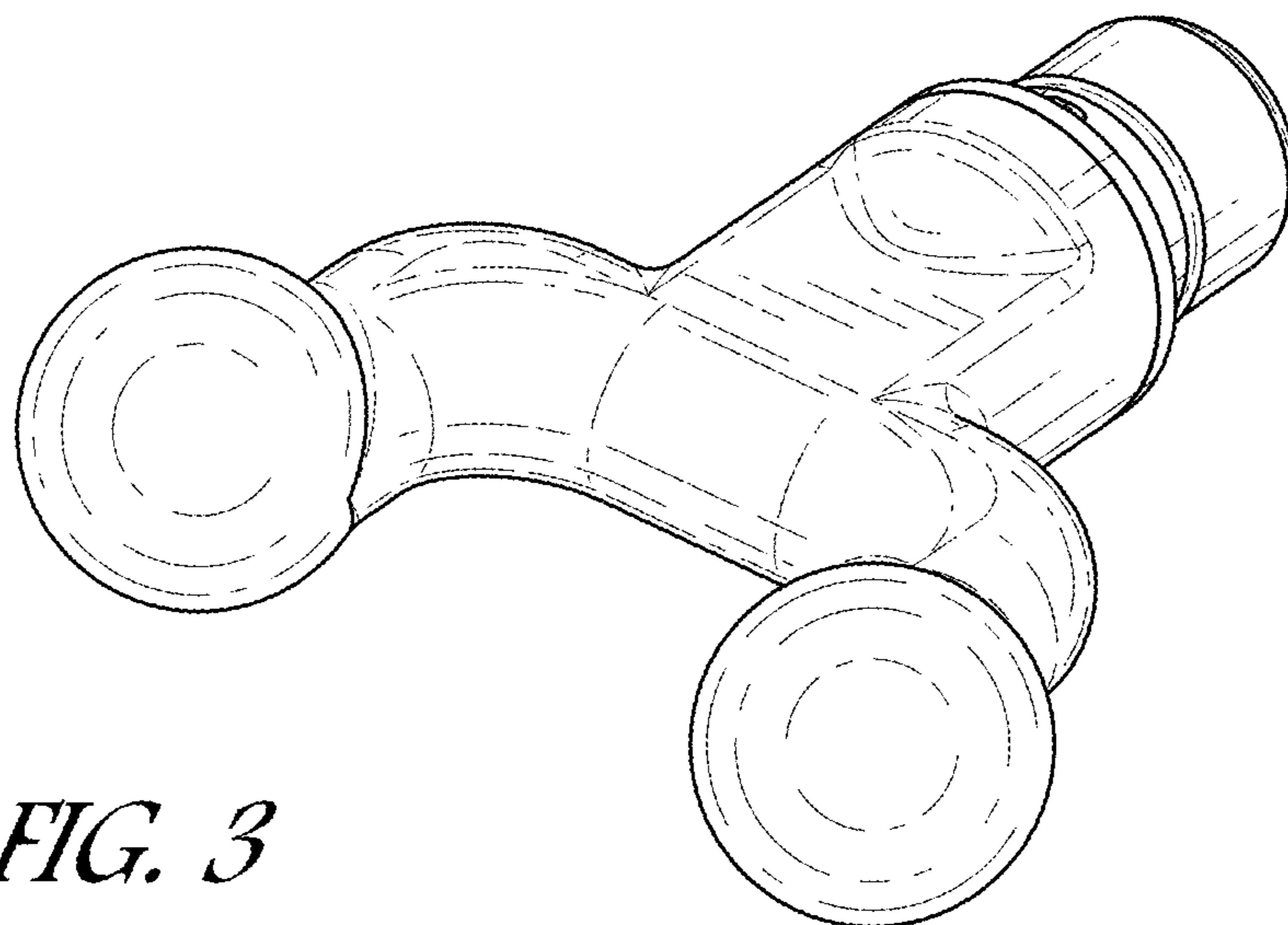
\* cited by examiner



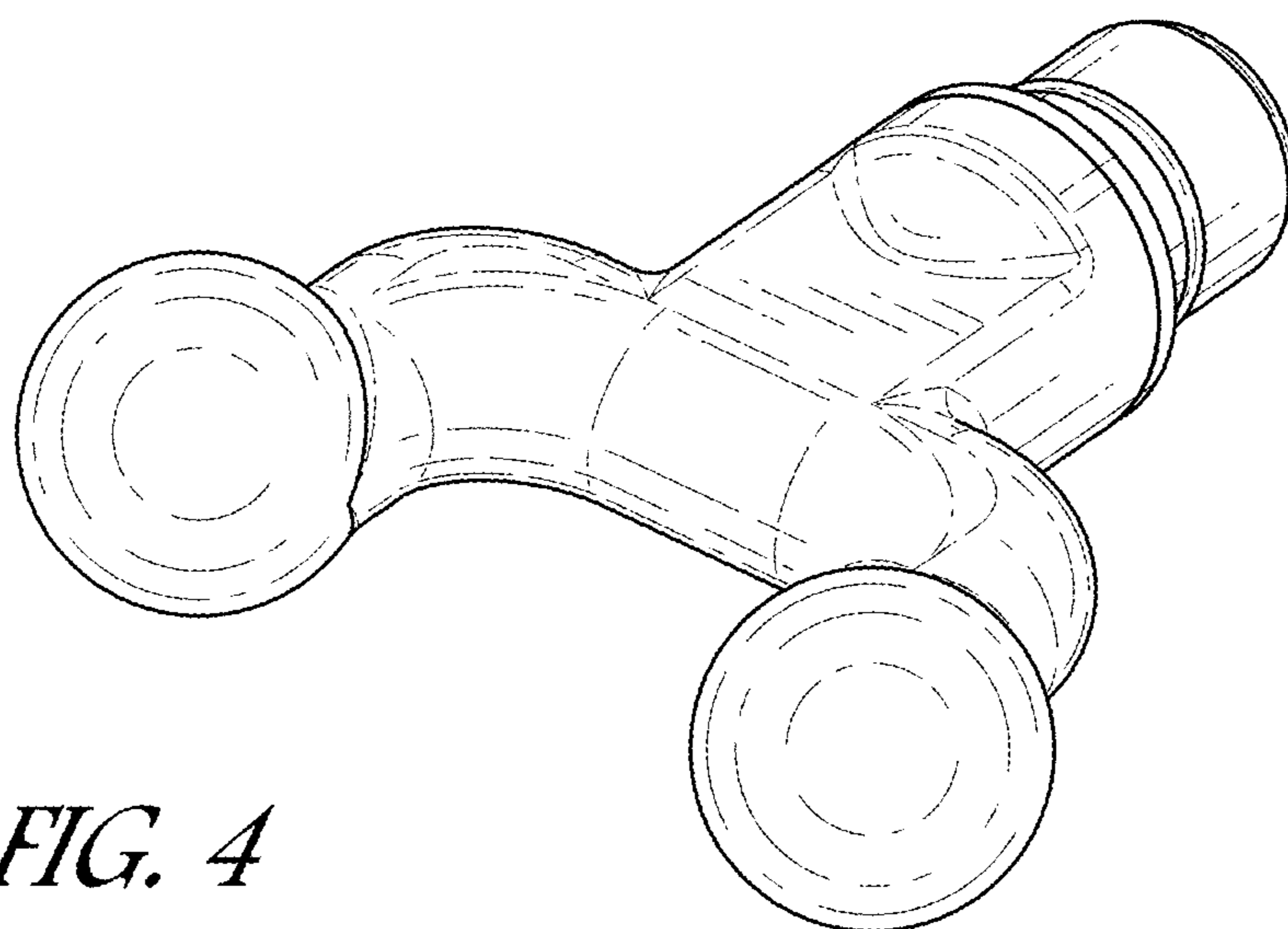
*FIG. 1*



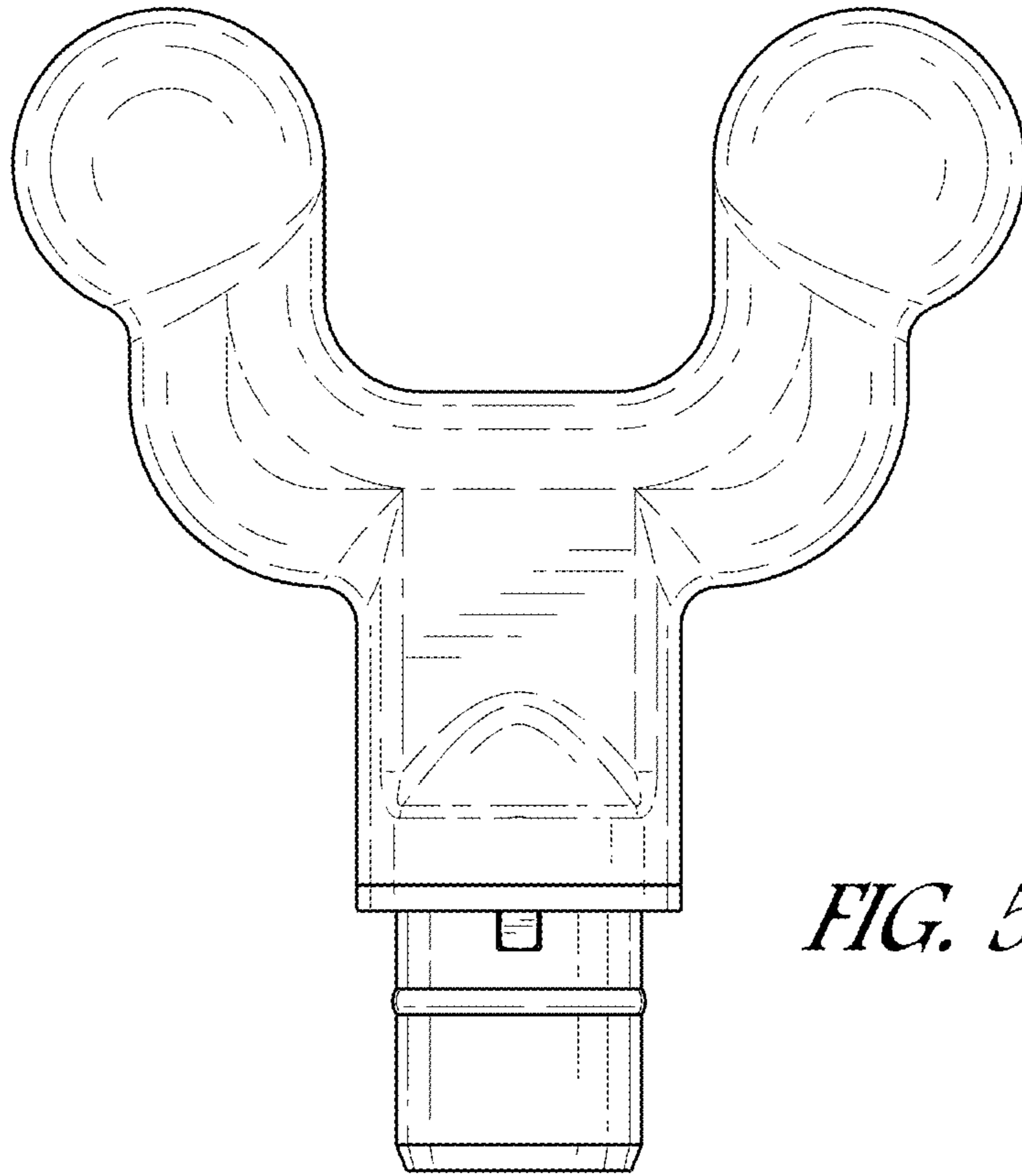
*FIG. 2*



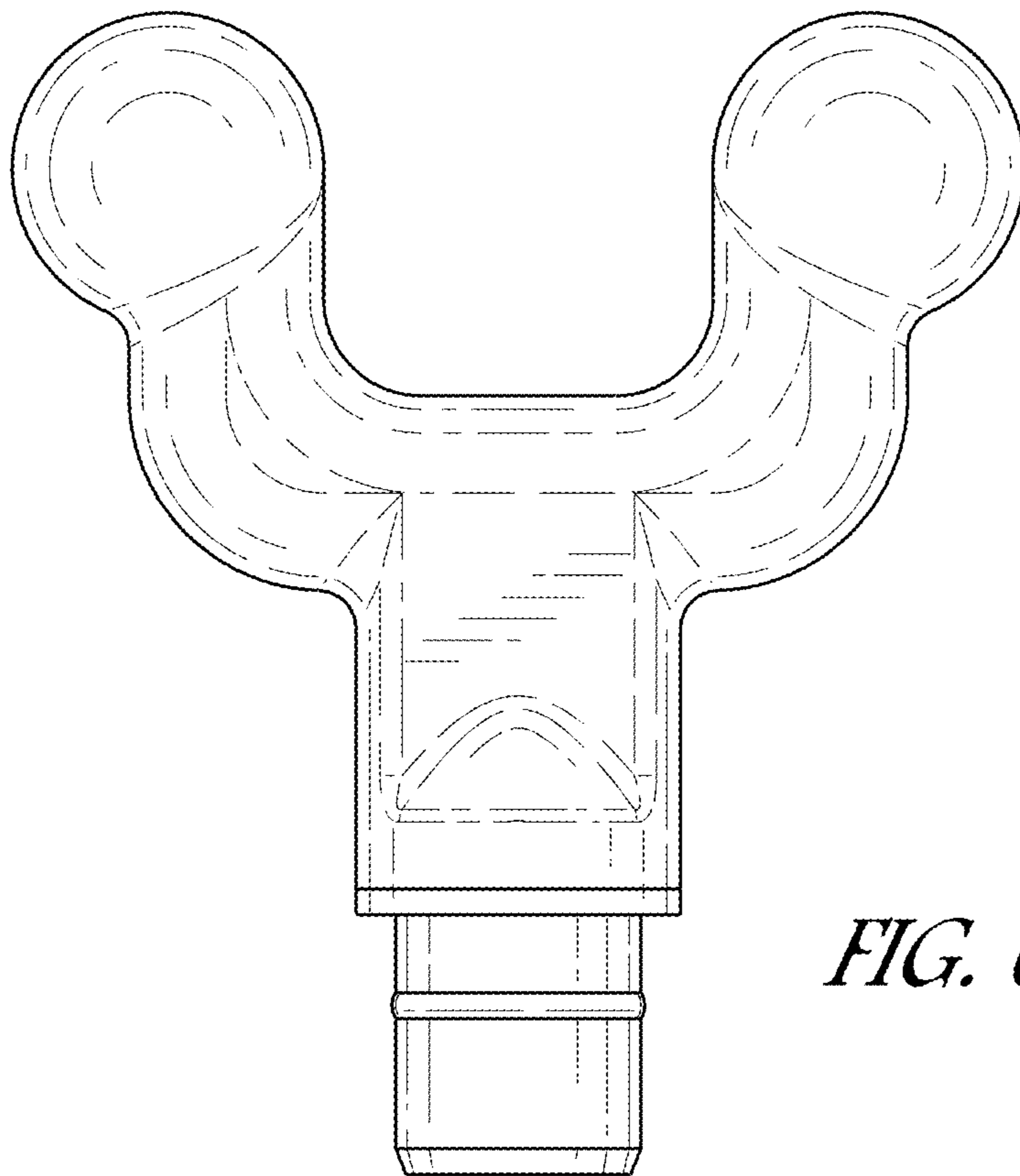
*FIG. 3*



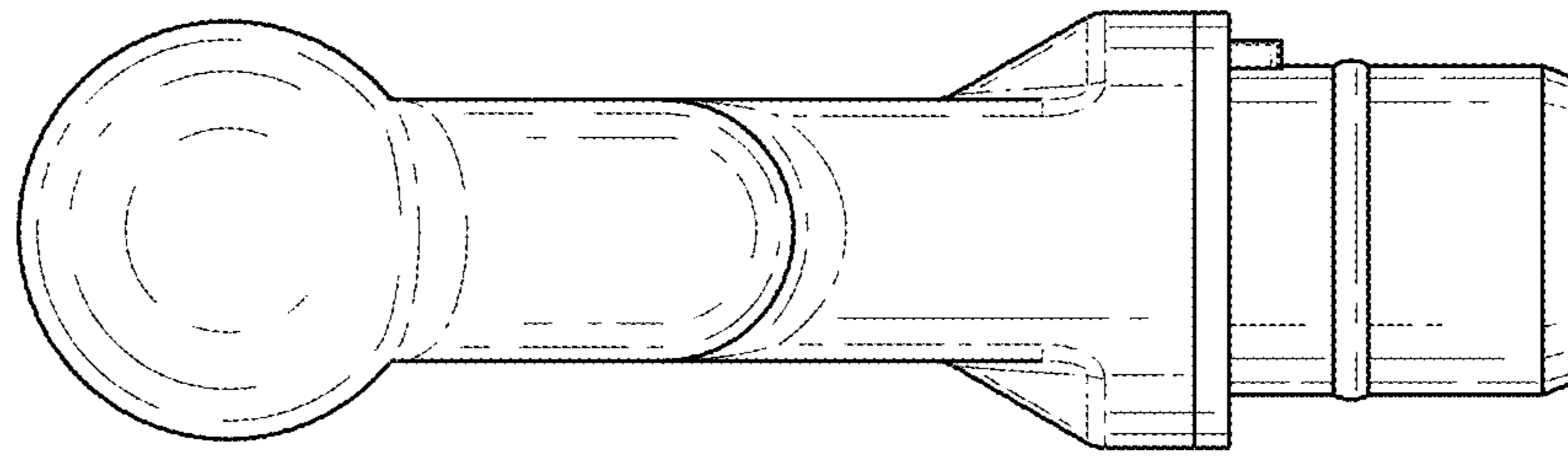
*FIG. 4*



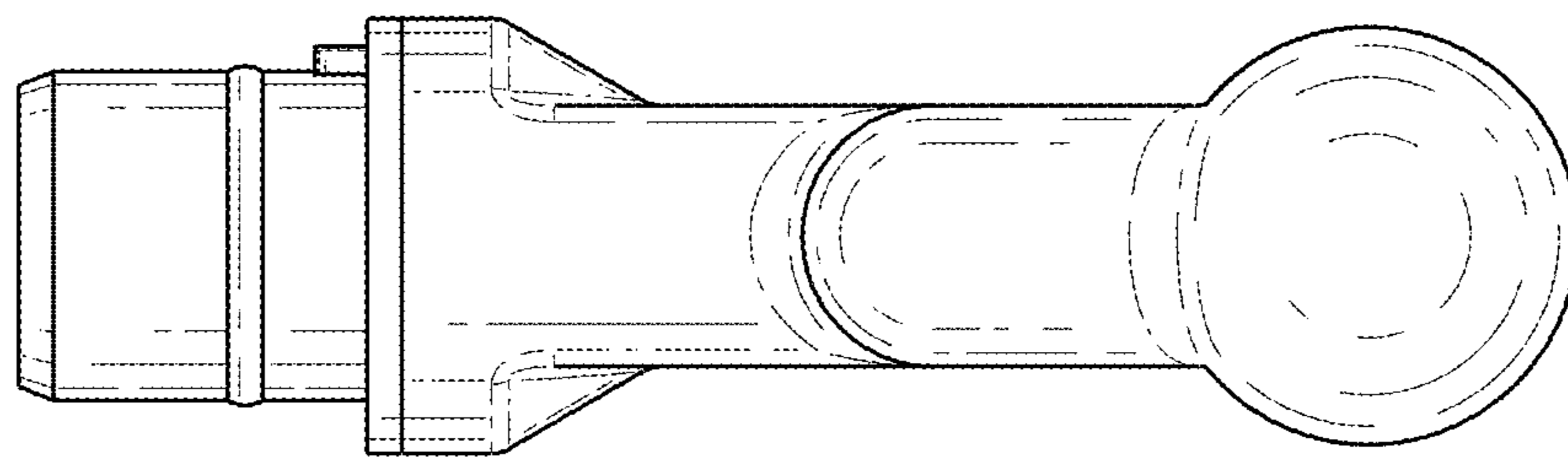
*FIG. 5*



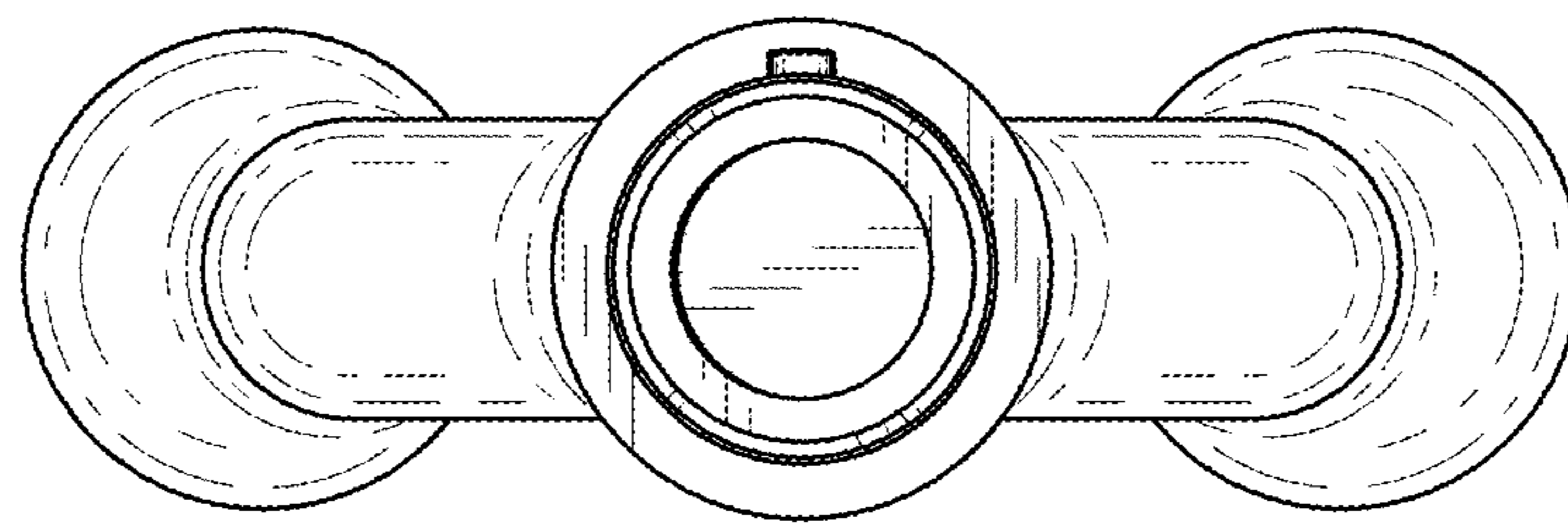
*FIG. 6*



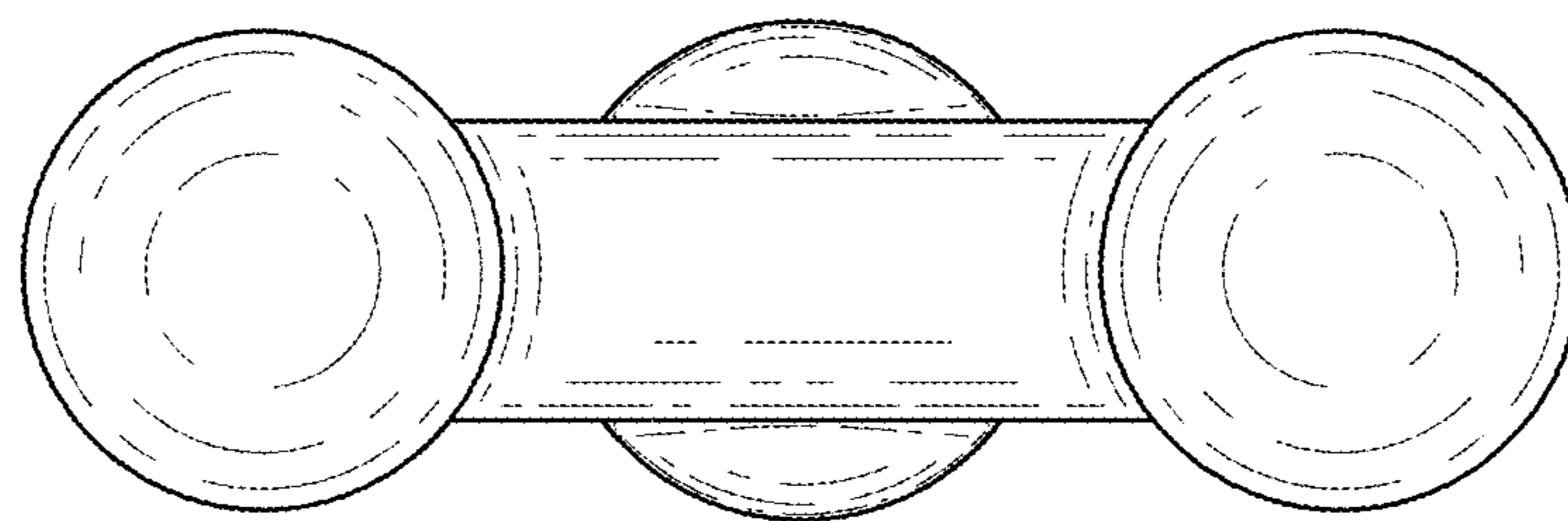
*FIG. 7*



*FIG. 8*



*FIG. 9*



*FIG. 10*