



US00D907789S

(12) **United States Design Patent** (10) **Patent No.:** **US D907,789 S**
Shenfarber (45) **Date of Patent:** **** Jan. 12, 2021**

(54) **LED INFRARED SKIN-TREATMENT DEVICE**
(71) Applicant: **OMM Imports, Inc.**, Doral, FL (US)
(72) Inventor: **Moti Shenfarber**, Doral, FL (US)
(73) Assignee: **OMM Imports, Inc.**, Doral, FL (US)
(**) Term: **15 Years**

(21) Appl. No.: **29/657,936**

(22) Filed: **Jul. 26, 2018**

(51) **LOC (13) Cl.** **24-01**

(52) **U.S. Cl.**
USPC **D24/209**

(58) **Field of Classification Search**
USPC D24/107, 186, 158, 231, 200, 209, 210, D24/214, 215, 187, 133, 146, 147, 211, D24/212, 213; D26/37-39; D28/7, 9, D28/10, 76, 85; D4/100, 101, 102, 136, D4/138
CPC A61N 5/0616; A61N 5/0617; A61N 5/062; A61N 5/0627; A61N 5/0625; A61N 2005/0643; A61N 2005/0644; A61N 2005/0645; A61N 2005/0647; A61N 2005/0651; A61N 2005/0652; A61B 2018/00452; A61B 2018/1807; A61B 17/1325; A61H 2201/0153; A61H 7/007; A61H 15/0085; A61H 2015/0014
See application file for complete search history.

(56) **References Cited**

U.S. PATENT DOCUMENTS

D575,407 S 8/2008 Treadwell et al.
D596,748 S 7/2009 Oberreiter et al.
D612,510 S 3/2010 Byle
D621,949 S 8/2010 Seki et al.

D621,950 S 8/2010 Seki et al.
D734,479 S 7/2015 Youngquist et al.
D738,516 S * 9/2015 Karim D24/200
D771,389 S * 11/2016 Since D24/200
D780,933 S * 3/2017 Uchida D24/200
D794,854 S * 8/2017 Zepter D24/200
D797,302 S * 9/2017 Vahlensieck D24/209
D811,602 S * 2/2018 Mao D24/186
D824,528 S * 7/2018 Yang D24/209
D829,921 S * 10/2018 Xiong D24/214
D847,360 S * 4/2019 Levi D24/214
2008/0140164 A1 6/2008 Oberreiter et al.
2011/0040235 A1* 2/2011 Castel A61F 7/00
604/20
2012/0022618 A1* 1/2012 Lum A61N 5/0616
607/90

(Continued)

Primary Examiner — Lilyana Bekic
Assistant Examiner — Mary Shannon Malley
(74) *Attorney, Agent, or Firm* — The Concept Law Group, PA; Scott D. Smiley; Scott M. Garrett

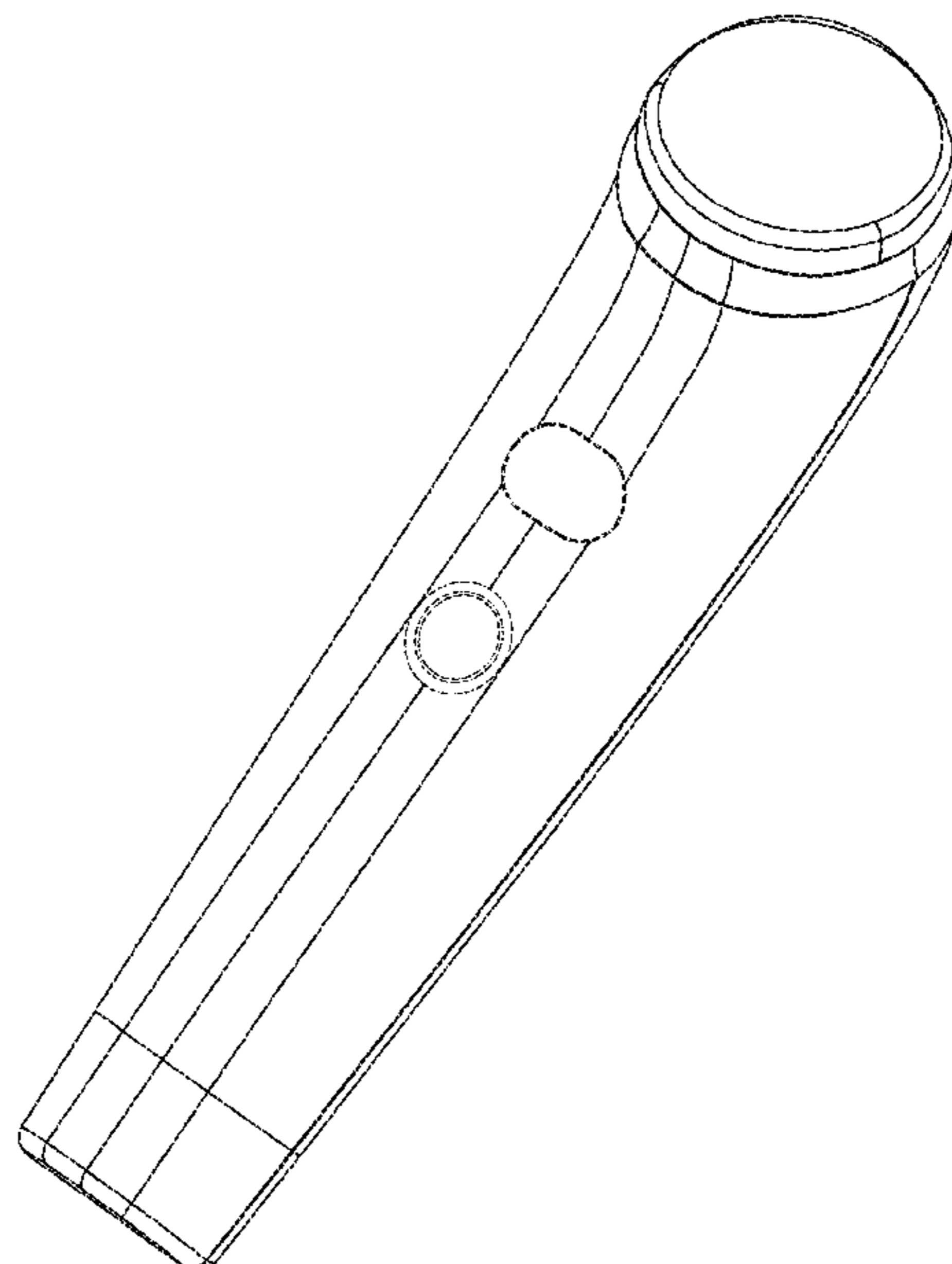
(57) **CLAIM**

The ornamental design for an LED infrared skin-treatment device, as shown and described.

DESCRIPTION

FIG. 1 is a front-elevational view of an LED infrared skin-treatment device showing my new design;
FIG. 2 is a left-side elevational view of the device of FIG. 1;
FIG. 3 is a right-side elevational view of the device of FIG. 1;
FIG. 4 is a rear-elevational view of the device of FIG. 1;
FIG. 5 is a top plan view of the device of FIG. 1;
FIG. 6 is bottom plan view of the device of FIG. 1; and,
FIG. 7 is a perspective view of the device of FIG. 1.
The broken lines show portions of the LED infrared skin-treatment device that form no part of the claimed design.

1 Claim, 6 Drawing Sheets



(56)

References Cited

U.S. PATENT DOCUMENTS

2013/0304163 A1* 11/2013 Moon A61N 5/0617
607/88
2014/0128780 A1 5/2014 Kennedy et al.

* cited by examiner

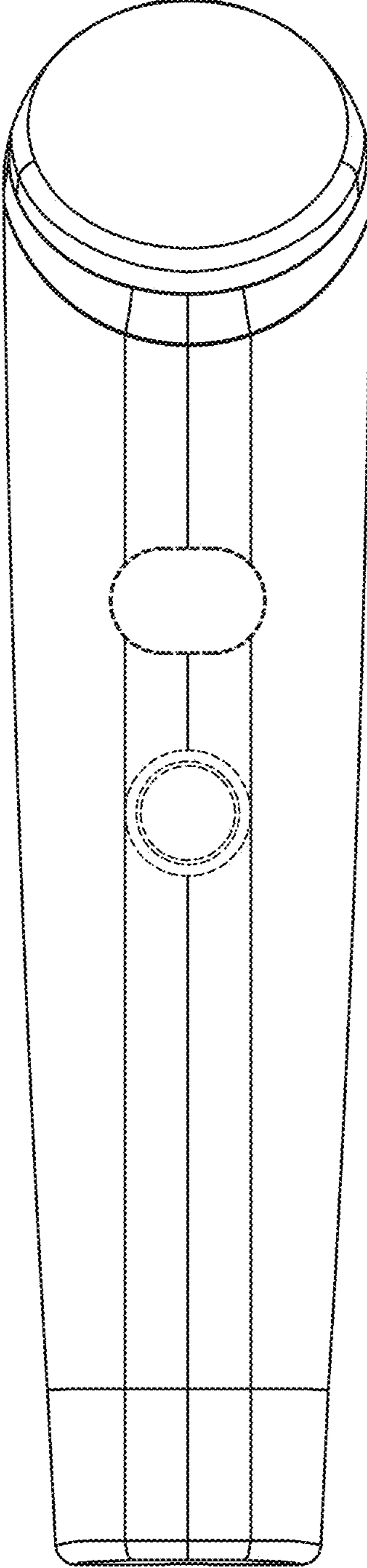


FIG. 1

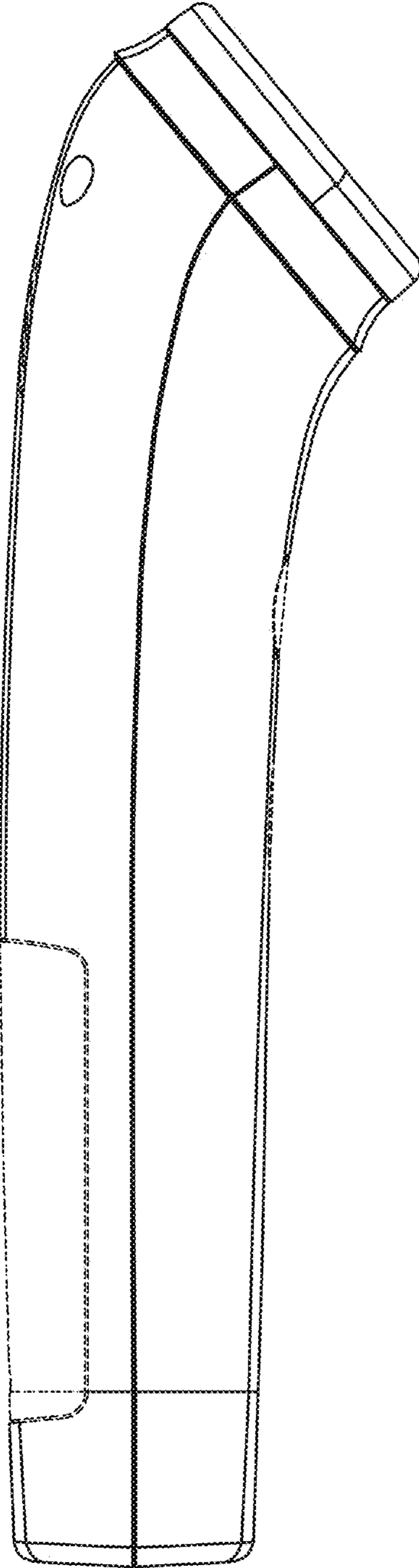


FIG. 2

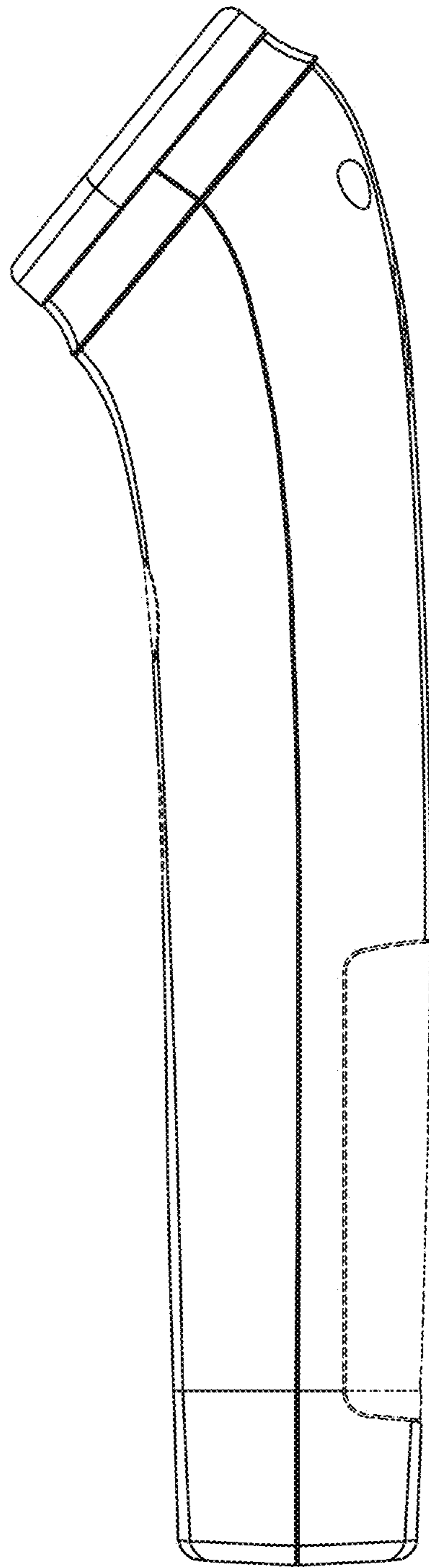


FIG. 3

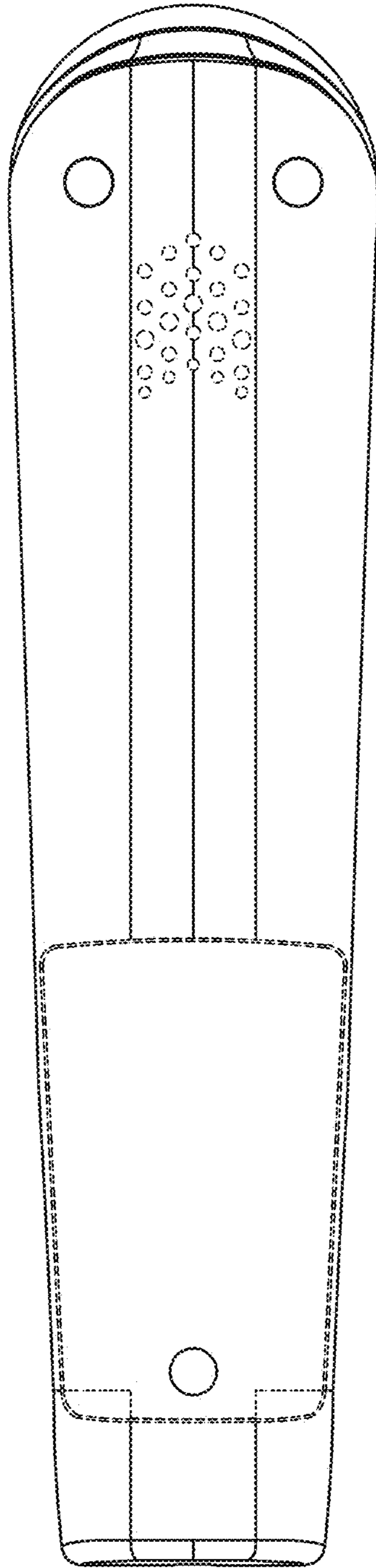


FIG. 4

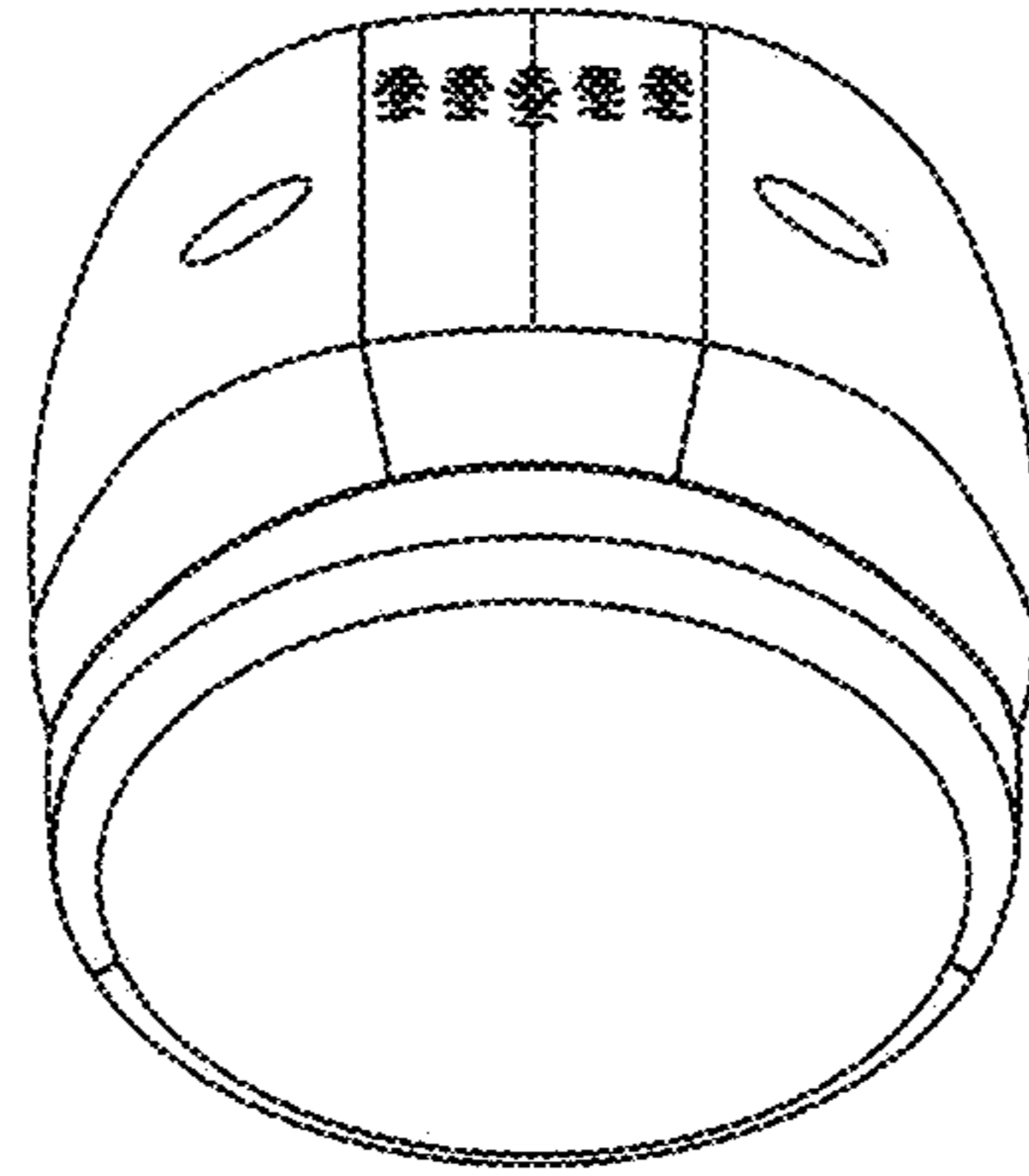


FIG. 5

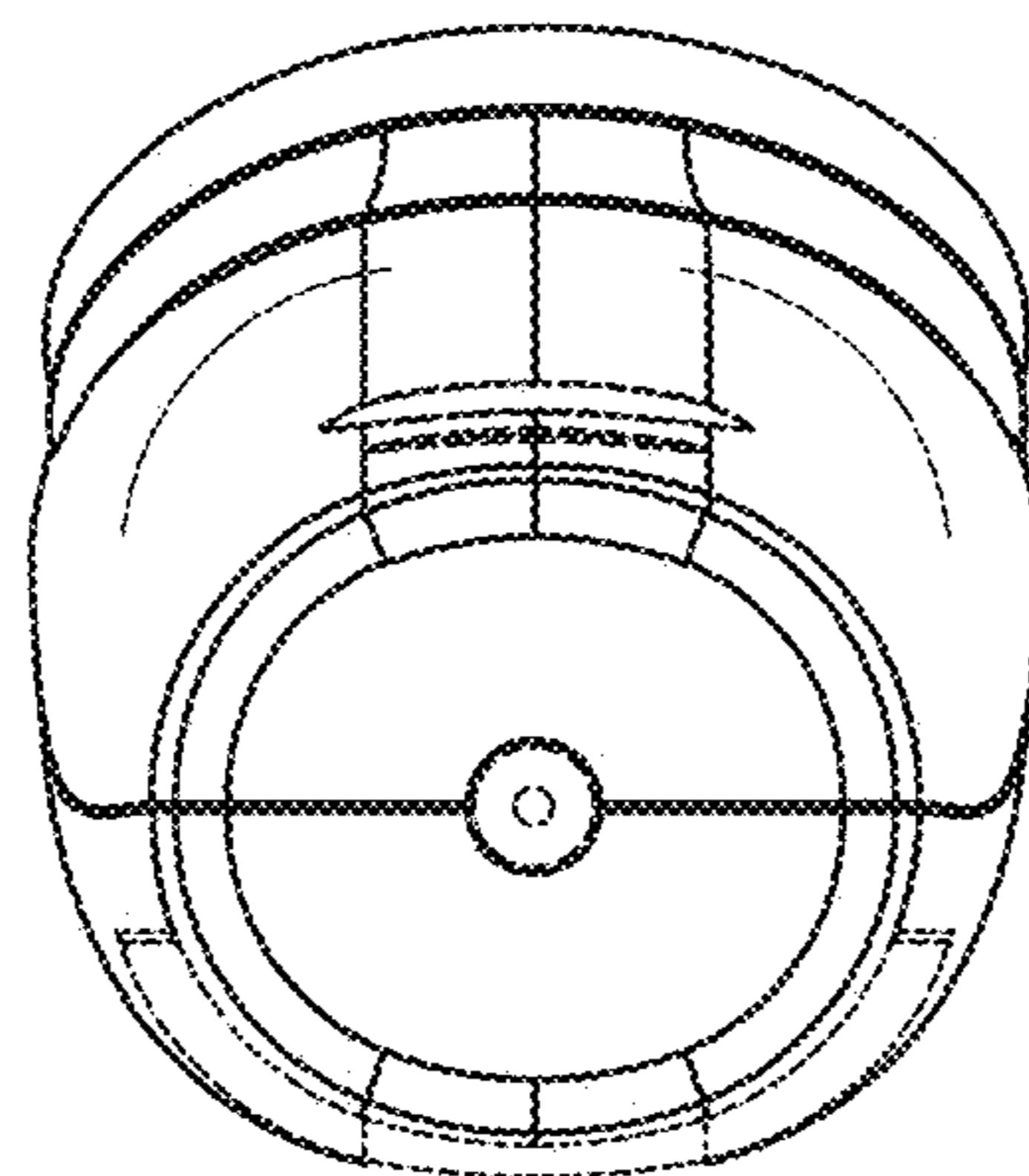


FIG. 6

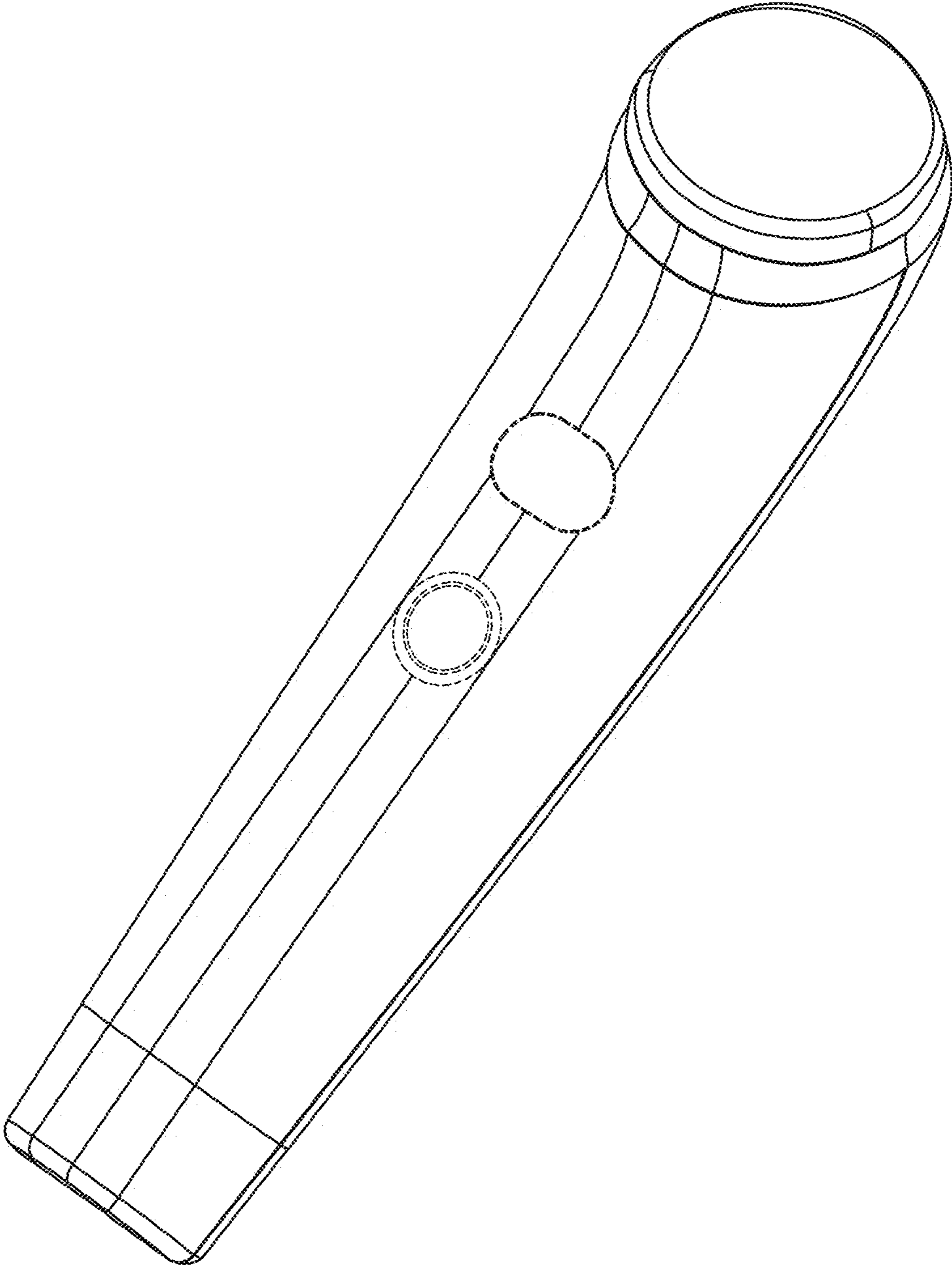


FIG. 7