



US00D907782S

(12) **United States Design Patent** (10) **Patent No.:** **US D907,782 S**
Bailey et al. (45) **Date of Patent:** **** Jan. 12, 2021**

(54) **SURGICAL CONTROL APPARATUS**

8,286,977 B2 * 10/2012 Butler A61G 12/001
280/47.35

(71) Applicant: **Intuitive Surgical Operations, Inc.**,
Sunnyvale, CA (US)

D687,147 S * 7/2013 Yoshida D24/185
D695,898 S * 12/2013 Chung D24/158
D699,852 S * 2/2014 Chung D24/158
D702,840 S * 4/2014 Blomquist D24/164
D702,842 S * 4/2014 Hyde D24/185
D711,539 S * 8/2014 Hunt D24/158
D712,042 S * 8/2014 Chung D24/185

(72) Inventors: **David W. Bailey**, Portola Valley, CA
(US); **Robert B. Hubler**, Sunnyvale,
CA (US); **Timothy B. Hulford**, San
Jose, CA (US); **Nicholas W. Oakley**,
Portland, OR (US)

(Continued)

(73) Assignee: **INTUITIVE SURGICAL
OPERATIONS, INC.**, Sunnyvale, CA
(US)

OTHER PUBLICATIONS

(**) Term: **15 Years**

Vertut, Jean and Phillipe Coiffet, Robot Technology: Teleoperation
and Robotics Evolution and Development, English translation,
Prentice-Hall, Inc., Inglewood Cliffs, NJ, USA 1986, vol. 3A, 332
pages.

(21) Appl. No.: **29/718,922**

Primary Examiner — Rhea Shields

(22) Filed: **Dec. 30, 2019**

(74) *Attorney, Agent, or Firm* — Haynes and Boone, LLP

Related U.S. Application Data

(57) **CLAIM**

(63) Continuation of application No. 29/648,249, filed on
May 18, 2018, now Pat. No. Des. 874,657.

The ornamental design for a surgical control apparatus, as
shown and described.

(51) **LOC (13) Cl.** **24-02**

DESCRIPTION

(52) **U.S. Cl.**

USPC **D24/185**

(58) **Field of Classification Search**

USPC D24/185, 186, 176, 158, 167, 164;
D14/307; D15/199; D34/14

CPC A61B 90/04; A61B 34/32; A61B 50/30;
A61B 8/463; A61G 12/001

See application file for complete search history.

FIG. 1 is a perspective view of a surgical control apparatus
showing our new design;
FIG. 2 is a front elevational view thereof;
FIG. 3 is a rear elevational view thereof;
FIG. 4 is a right side elevational view thereof;
FIG. 5 is a left side elevational view thereof;
FIG. 6 is a top plan view thereof;
FIG. 7 is a bottom plan view thereof; and,
FIGS. 8 and 9 are additional perspective views thereof.

(56) **References Cited**

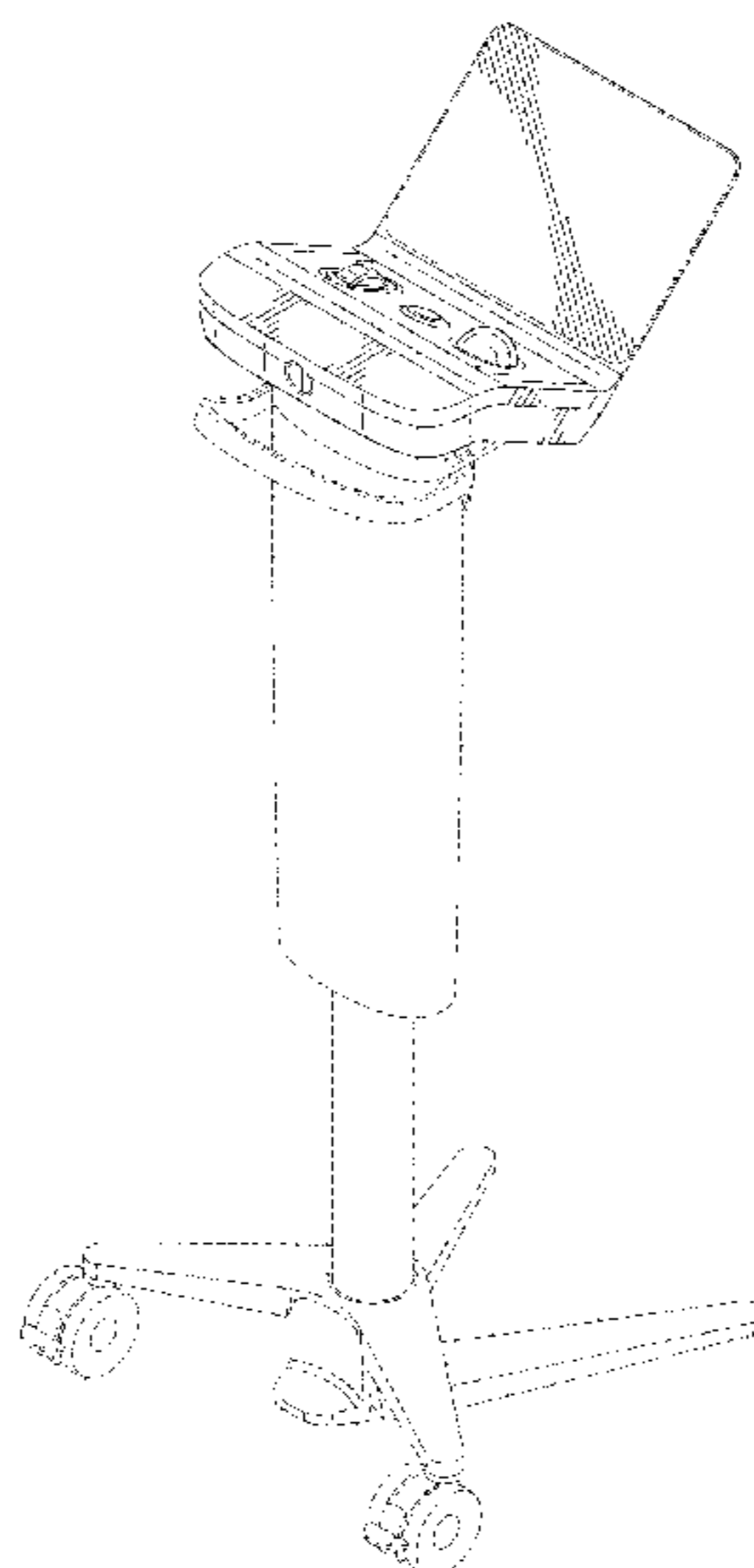
U.S. PATENT DOCUMENTS

D486,915 S * 2/2004 Warschewske D24/185
D550,362 S * 9/2007 Olivera D24/185
D561,342 S * 2/2008 Zimmer D24/185
D621,513 S * 8/2010 Cinqualbre D24/185
D626,235 S * 10/2010 Smith D24/158

The surgical control apparatus illustrated in FIGS. 1-9 may
be, for example, a surgical control apparatus for lung sur-
gery.

The broken lines in FIGS. 1-9 illustrate unclaimed portions
of the surgical control apparatus and form no part of the
claimed design.

1 Claim, 8 Drawing Sheets



(56)

References Cited

U.S. PATENT DOCUMENTS

D721,696 S * 1/2015 Birgeoglu D14/307
D724,737 S * 3/2015 Kawamura D24/158
D725,274 S * 3/2015 Kawamura D24/158
D730,011 S * 5/2015 McRorie D34/14
9,055,910 B2 * 6/2015 Nakajima A61B 8/463
D735,866 S * 8/2015 Assa D24/185
D739,538 S * 9/2015 Bernal D24/185
D753,310 S * 4/2016 Thakar D24/185
D768,861 S * 10/2016 Barak D24/176
9,463,069 B2 * 10/2016 Dunworth A61B 50/30
D771,817 S * 11/2016 Barak D24/160
D776,279 S * 1/2017 Newman D24/164
D777,927 S * 1/2017 Choudhary D24/167
D787,065 S * 5/2017 Yanase D24/160
D790,066 S * 6/2017 Lei D24/158
D796,679 S * 9/2017 Dekock D24/158
D827,139 S * 8/2018 Henderson D24/160
D836,781 S * 12/2018 Meurer D24/185
D844,792 S * 4/2019 Choe D24/186
10,350,015 B2 * 7/2019 Toth A61B 34/32
10,376,331 B2 * 8/2019 Cooper A61B 90/04
D865,182 S * 10/2019 Richter D24/186
D865,972 S * 11/2019 Jeanjean D24/186
D868,055 S * 11/2019 Benic D14/307
D874,657 S * 2/2020 Bailey D24/185
D879,303 S * 3/2020 Engler D24/185
D893,570 S * 8/2020 Zheng D15/199
D894,403 S * 8/2020 Couch D24/185

* cited by examiner

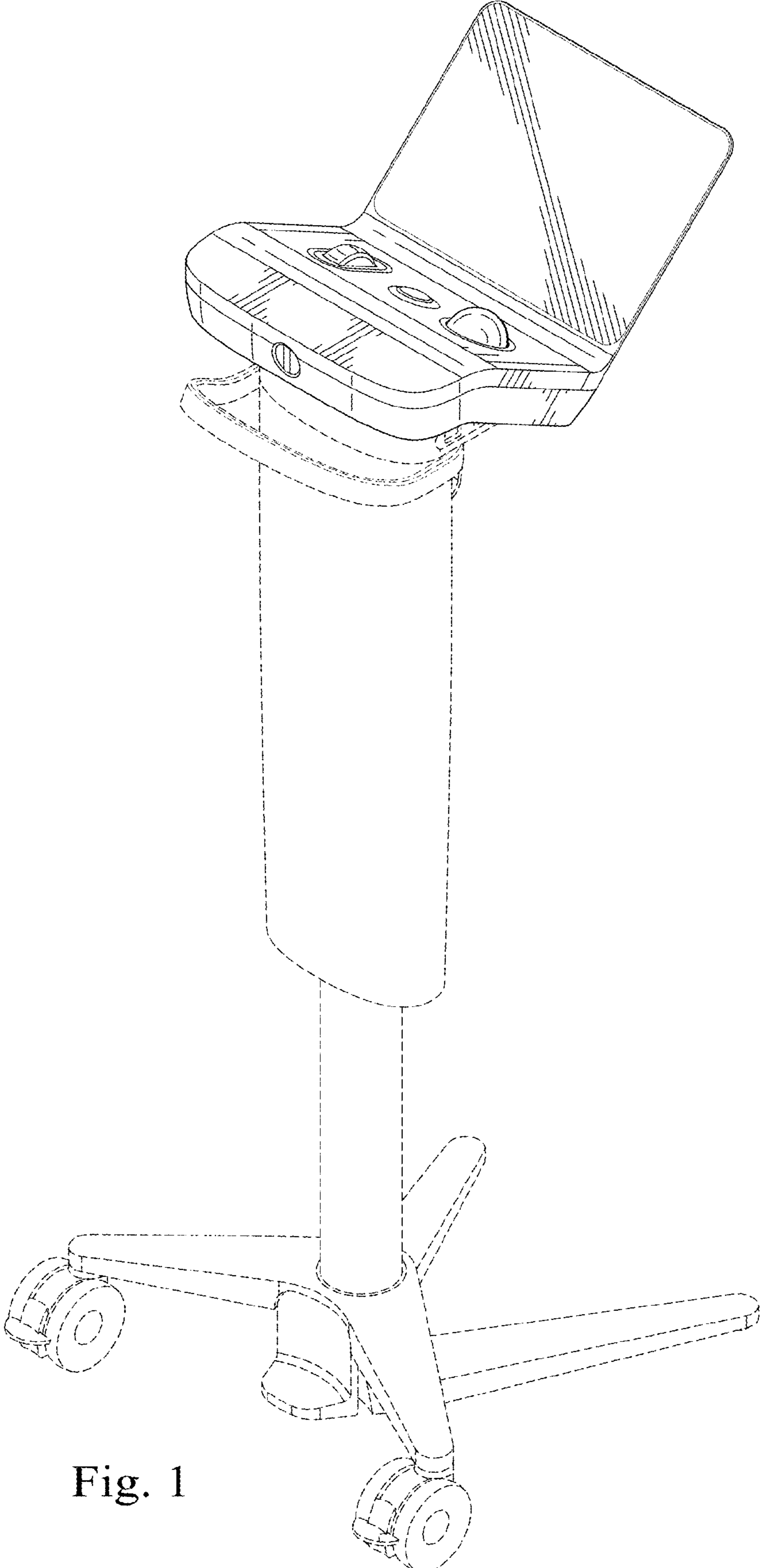


Fig. 1

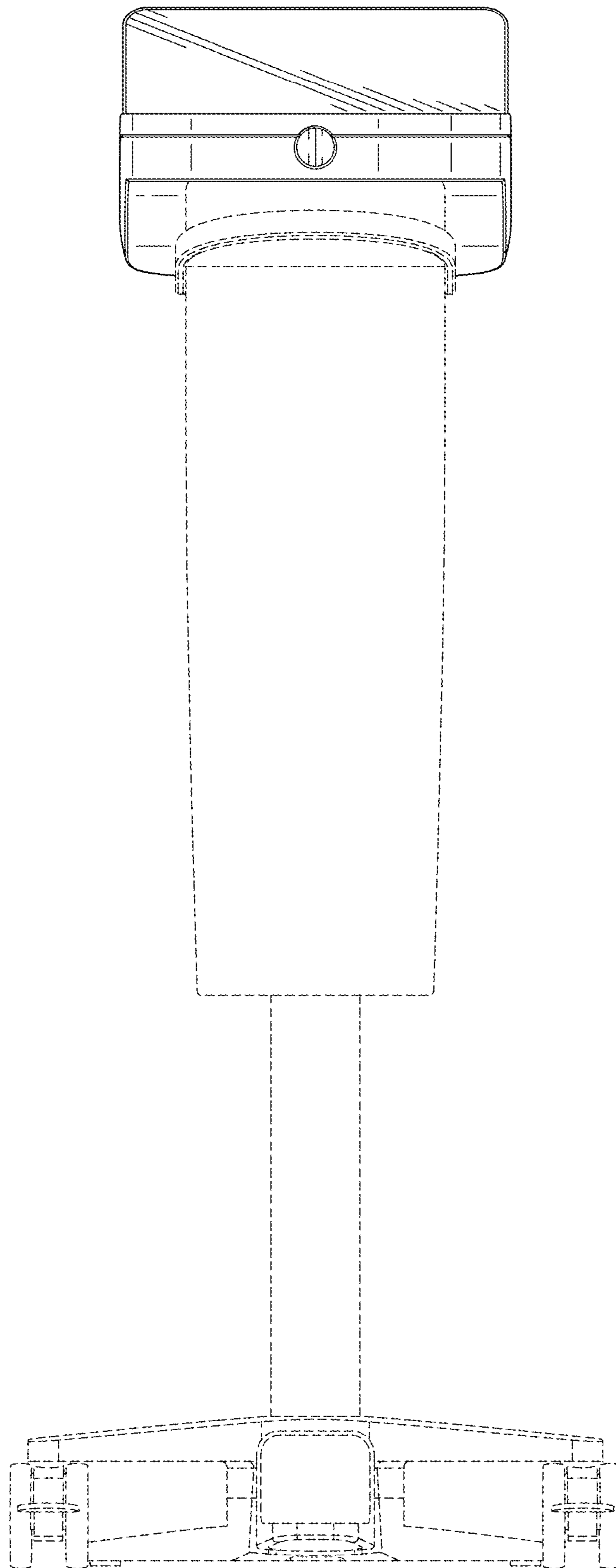


Fig. 2

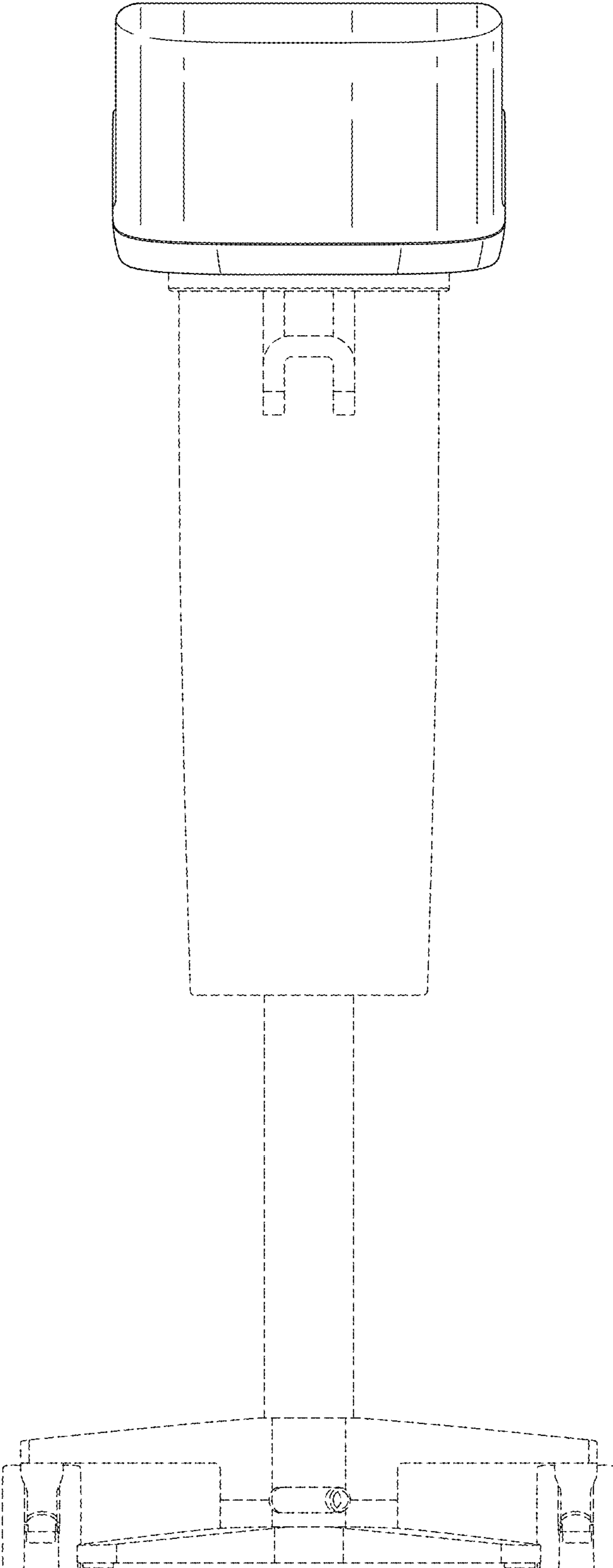


Fig. 3

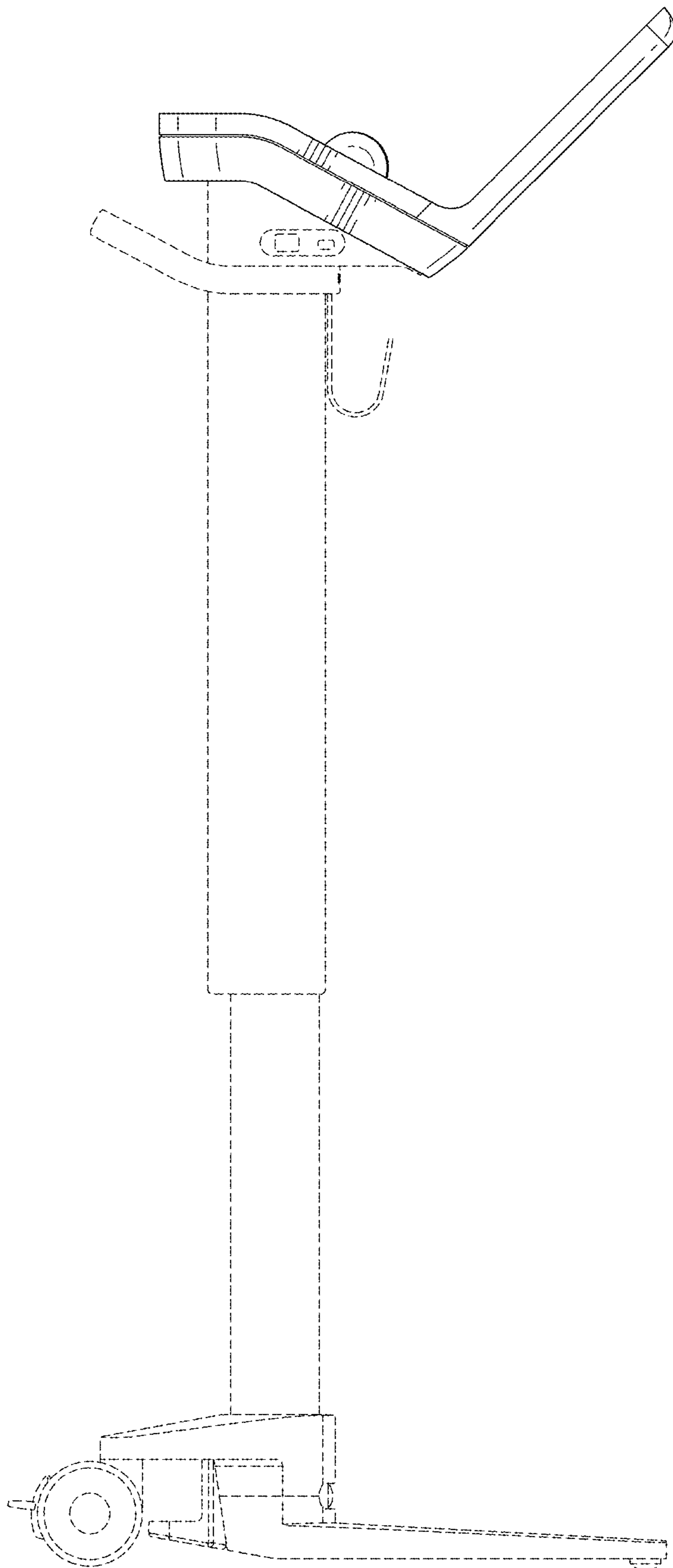


Fig. 4

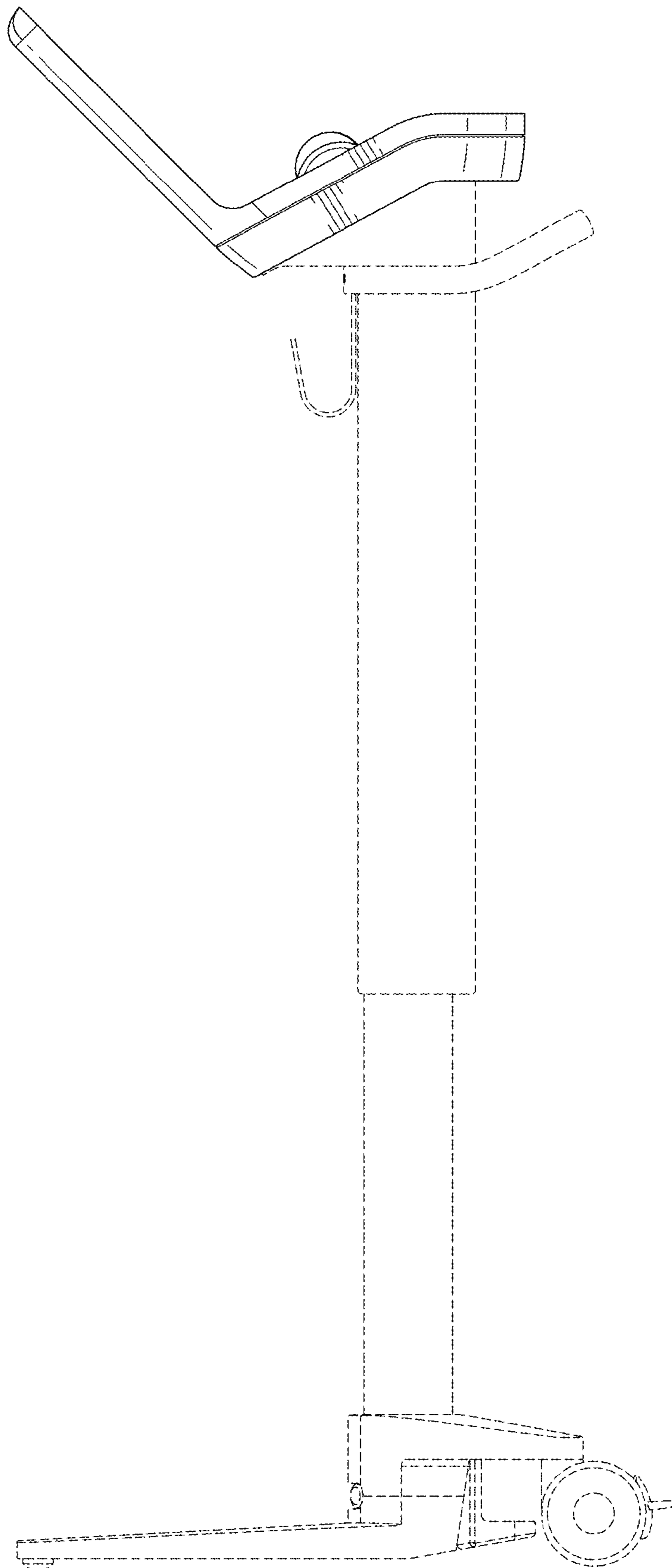


Fig. 5

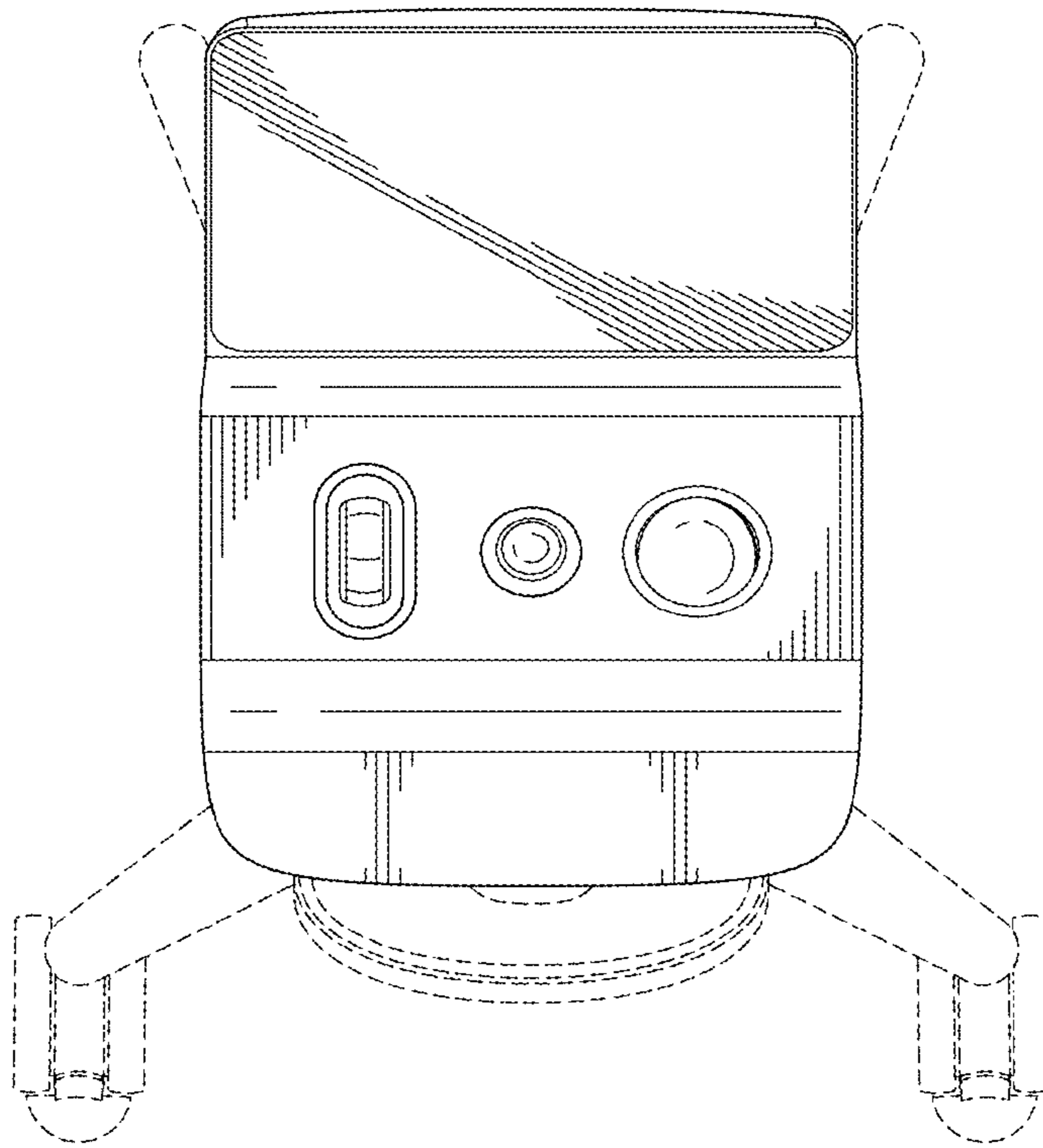


Fig. 6

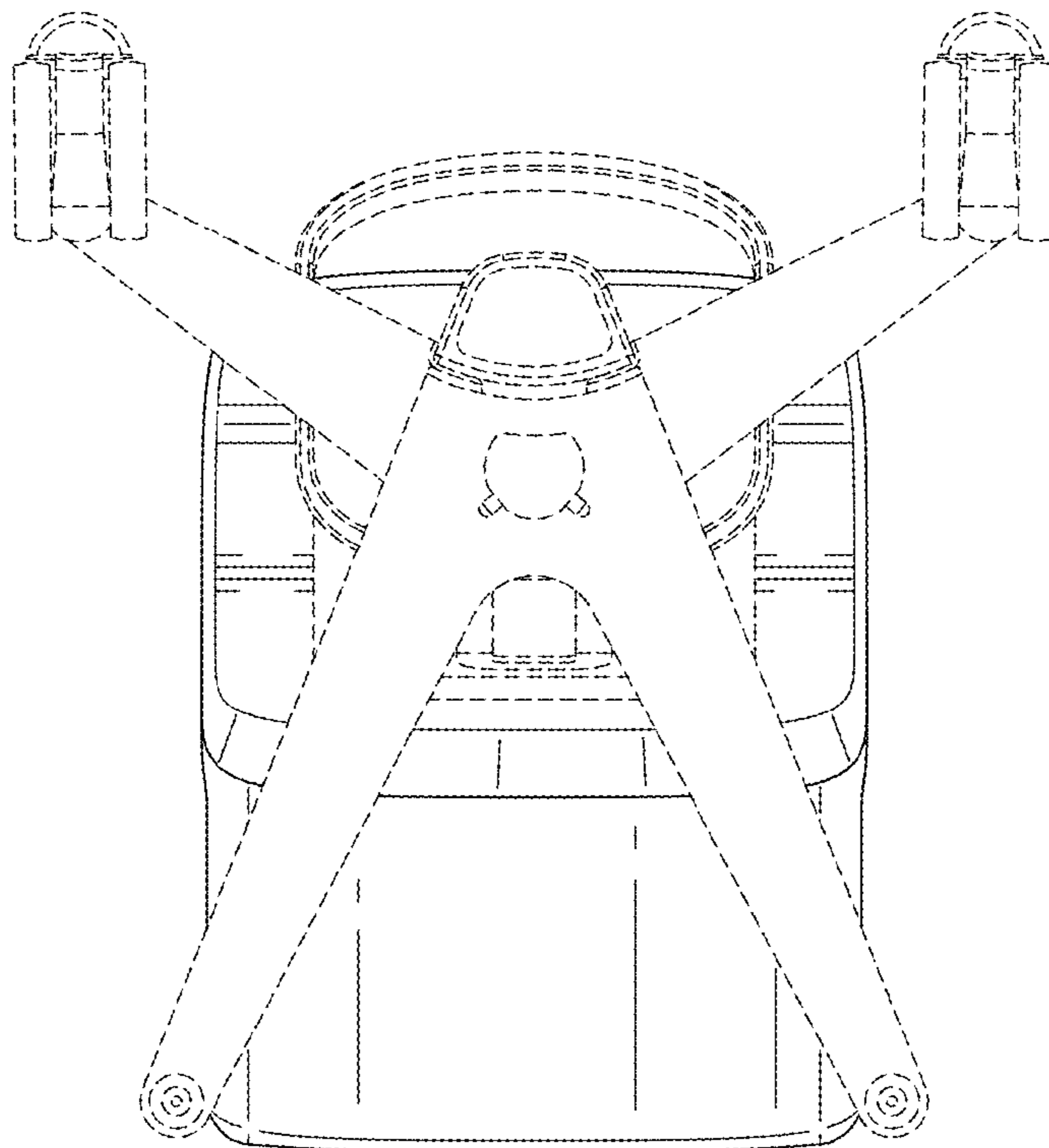


Fig. 7

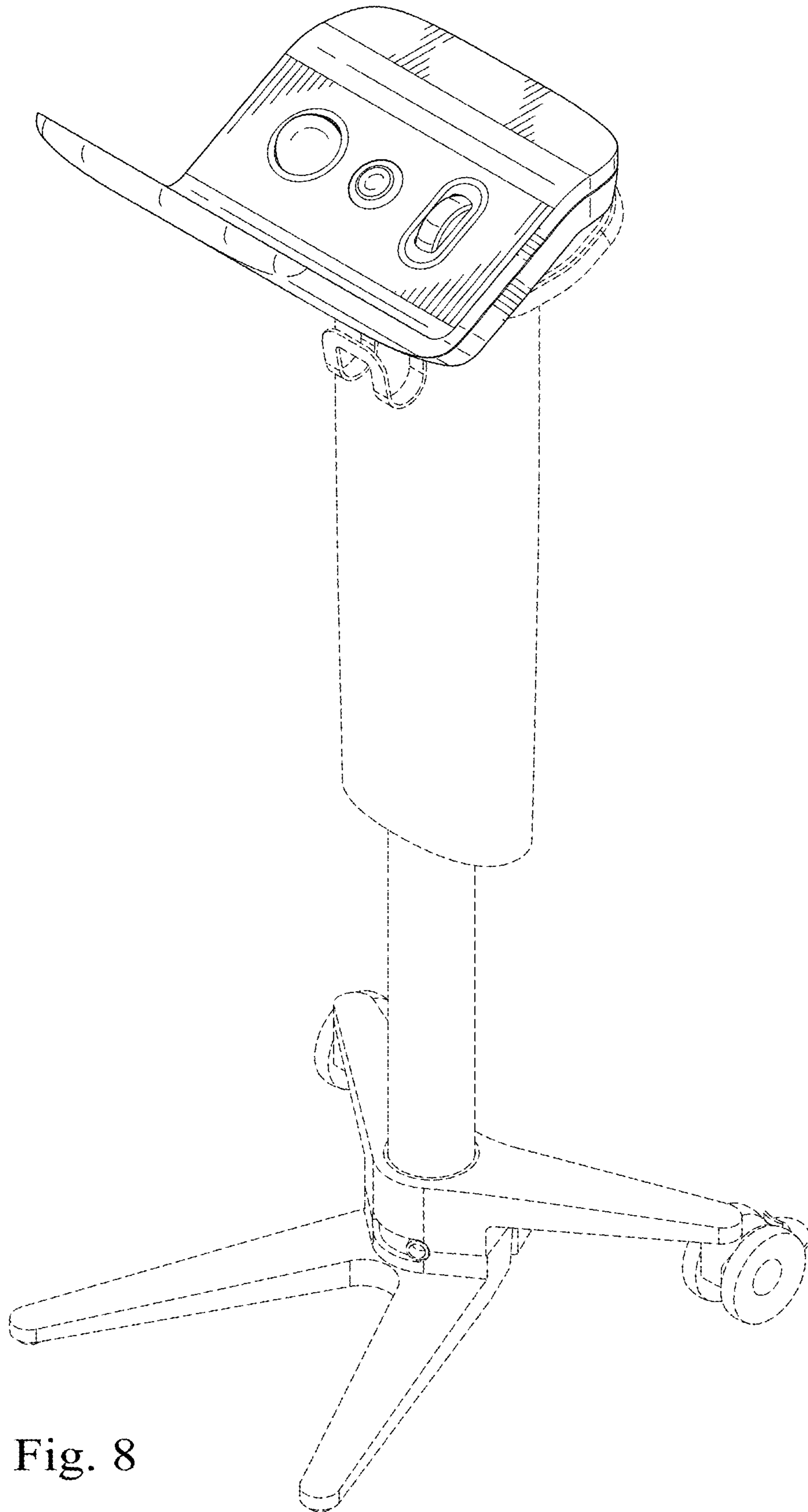


Fig. 8

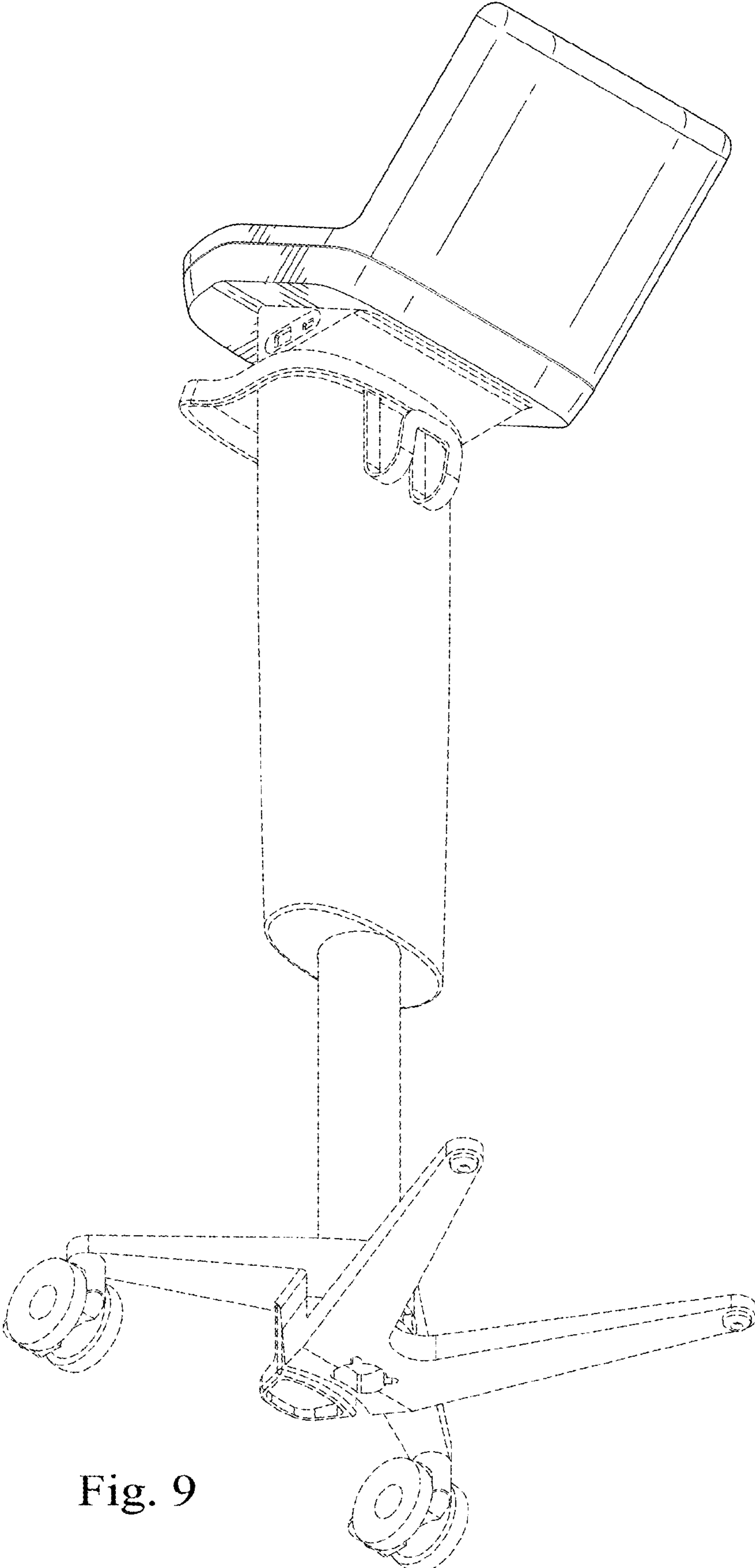


Fig. 9