



US00D907781S

(12) **United States Design Patent** (10) **Patent No.:** **US D907,781 S**
Moudy (45) **Date of Patent:** **** Jan. 12, 2021**

(54) **LEG SUPPORT**

3,803,645 A 4/1974 Oliverius
3,946,451 A 3/1976 Spann
4,090,268 A 5/1978 Turner

(71) Applicant: **Creative Medical Devices LLC**,
Phoenix, AZ (US)

(Continued)

(72) Inventor: **Joanne Moudy**, Phoenix, AZ (US)

OTHER PUBLICATIONS

(73) Assignee: **CREATIVE MEDICAL DEVICES LLC**, Phoenix, AZ (US)

JEM Cradle. Online, published date unknown. Retrieved on Oct. 27, 2020 from URL: <https://www.creativemedicaldevices.com/product/ankle-cradle-and-leg-support-system/>.*

(**) Term: **15 Years**

(Continued)

(21) Appl. No.: **29/704,704**

Primary Examiner — Susan Bennett Hattan

Assistant Examiner — Omeed Agilee

(22) Filed: **Sep. 6, 2019**

(74) *Attorney, Agent, or Firm* — John J. Bamert, Esq.;
Lowe Graham Jones PLLC

Related U.S. Application Data

(63) Continuation of application No. 16/562,621, filed on Sep. 6, 2019, now Pat. No. 10,617,584.

(51) **LOC (13) Cl.** **24-02**

(52) **U.S. Cl.**

USPC **D24/184**; D24/171

(58) **Field of Classification Search**

USPC D24/183–184, 188, 190–191, 200, 211,
D24/215, 171; D6/366, 375, 380, 596,
D6/601, 604, 716

CPC A47B 21/0314; A47B 21/0371; A61G
7/0755; A47C 20/021; A47C 20/026

See application file for complete search history.

(56) **References Cited**

U.S. PATENT DOCUMENTS

D159,662 S * 8/1950 Patek D28/56
2,709,435 A 5/1955 Kress
2,960,151 A 11/1960 Fairgrieve
D194,138 S * 11/1962 Waller D24/229
3,104,446 A 9/1963 Throop, Jr.
3,604,023 A 9/1971 Lynch
3,639,929 A 2/1972 Ichise
3,783,863 A 1/1974 Kliever

(57) **CLAIM**

The ornamental design for a leg support, as shown and described.

DESCRIPTION

FIG. 1 is a side perspective view of a first embodiment of a leg support, showing my new design in an environment in which the leg support is typically installed, such as on a medical support platform that supports a patient.

FIG. 2 is a side perspective view thereof.

FIG. 3 is an overhead view thereof.

FIG. 4 is an underside view thereof.

FIG. 5 is a front elevational view thereof.

FIG. 6 is a rear elevational view thereof.

FIG. 7 is side elevational view thereof.

FIG. 8 is a side perspective view of a second embodiment of a leg support, showing my new design.

FIG. 9 is an overhead view thereof.

FIG. 10 is an underside view thereof.

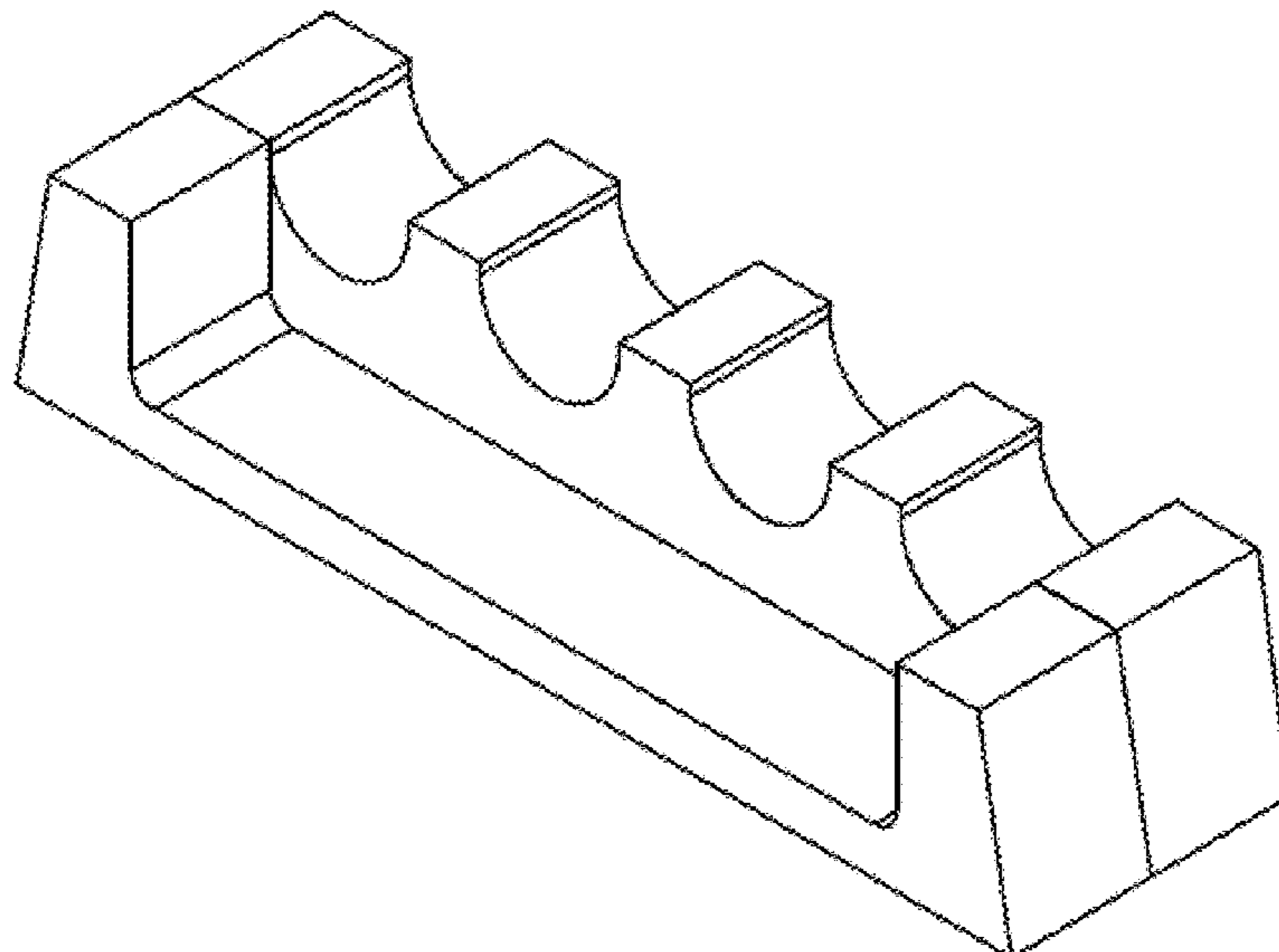
FIG. 11 is a front elevational view thereof.

FIG. 12 is a rear elevational view thereof; and,

FIG. 13 is a side elevational thereof.

The broken lines depict environmental subject matter and form no part of the claimed design.

1 Claim, 7 Drawing Sheets



(56)

References Cited

U.S. PATENT DOCUMENTS

D254,029 S * 1/1980 Barbagallo 5/636
 4,854,566 A 8/1989 Broudy et al.
 D321,402 S * 11/1991 Hoshino D24/188
 D321,562 S * 11/1991 Ljungvall D24/183
 5,063,918 A 11/1991 Guhl
 5,117,522 A 6/1992 Everett
 5,149,033 A 9/1992 Burzler
 D345,797 S * 4/1994 Gardner 5/648
 D387,167 S * 12/1997 Klein D24/183
 5,745,939 A 5/1998 Flick et al.
 6,012,187 A 1/2000 Bushong et al.
 6,065,166 A 5/2000 Sharrock et al.
 6,085,371 A 7/2000 Umhofer
 6,256,822 B1 7/2001 Weston et al.
 6,442,779 B1 9/2002 LeVert et al.
 6,564,407 B1 5/2003 Luu et al.
 6,634,045 B1 10/2003 DuDonis et al.
 7,036,169 B2 5/2006 Marshall
 7,235,057 B2 6/2007 LeVert et al.
 D625,421 S * 10/2010 Sharps D24/184
 D632,013 S * 2/2011 Irwin D28/57
 D642,694 S * 8/2011 Sharps D24/190
 D657,468 S * 4/2012 Held D24/184
 8,156,941 B1 4/2012 Simms
 8,176,585 B1 5/2012 Isham
 8,286,286 B2 10/2012 Al-Saif
 8,771,213 B2 7/2014 Wens
 D725,407 S * 3/2015 McCracken D6/601
 D728,799 S * 5/2015 Ravikumar D24/184
 D732,174 S * 6/2015 Johnson D24/184
 10,306,991 B2 6/2019 Behlen
 D871,593 S * 12/2019 Rossouw D24/190

10,617,584 B1 * 4/2020 Moudy A61G 7/057
 D883,713 S * 5/2020 Glatt D6/601
 D885,589 S * 5/2020 Marcil D24/190
 D898,430 S * 10/2020 Kulik D6/601
 2001/0016960 A1 8/2001 Grabell et al.
 2002/0088057 A1 * 7/2002 Wassilefsky A61G 7/0755
 5/648
 2003/0182727 A1 10/2003 DuDonis et al.
 2003/0200971 A1 10/2003 Rastegar et al.
 2004/0070254 A1 * 4/2004 Conlon A47C 16/02
 297/423.41
 2004/0093673 A1 5/2004 Marshall
 2006/0230537 A1 10/2006 Torres
 2007/0094800 A1 5/2007 Hensley
 2008/0178390 A1 7/2008 DuDonis
 2011/0179577 A1 7/2011 Gould et al.
 2012/0180219 A1 7/2012 Riccabona
 2013/0112213 A1 5/2013 Bhat et al.
 2013/0180530 A1 7/2013 Choi et al.
 2013/0255699 A1 10/2013 Squitieri
 2015/0265061 A1 9/2015 Spaugh
 2019/0247214 A1 8/2019 Siers et al.

OTHER PUBLICATIONS

Bischoff's Medical Supplies, website, last accessed Aug. 6, 2019, 7 pages, all pages pertinent, <http://bischoffmedical.com/?page_id=1191>.
 Ulcer Solutions, website, last accessed Aug. 6, 2019, 10 pages, all pages pertinent, <http://bischoffmedical.com/?page_id=1191>.
 First Office Action dated Apr. 14, 2020 for co-pending U.S. Appl. No. 16/806,897, 10 pages.

* cited by examiner

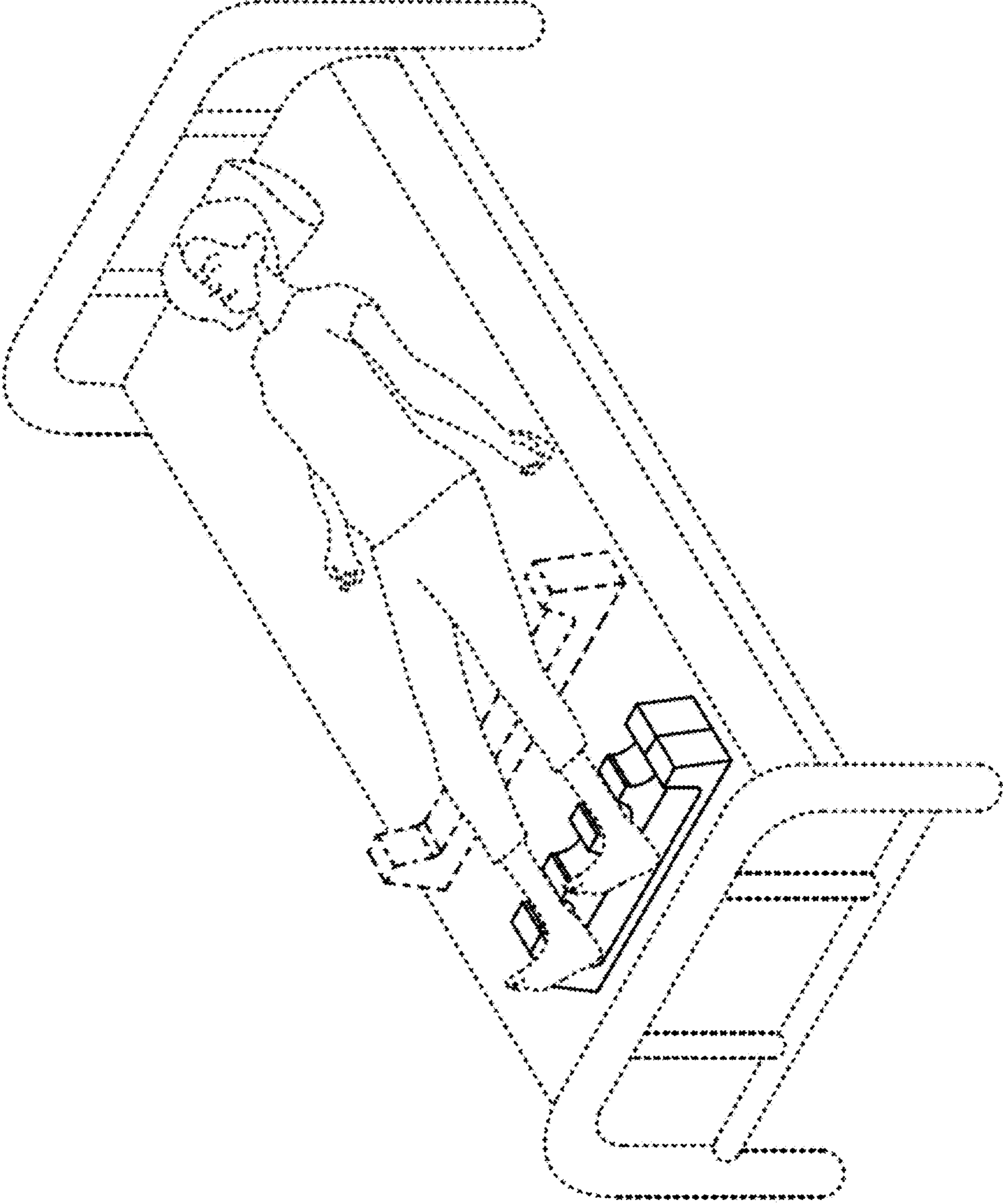


Fig. 1

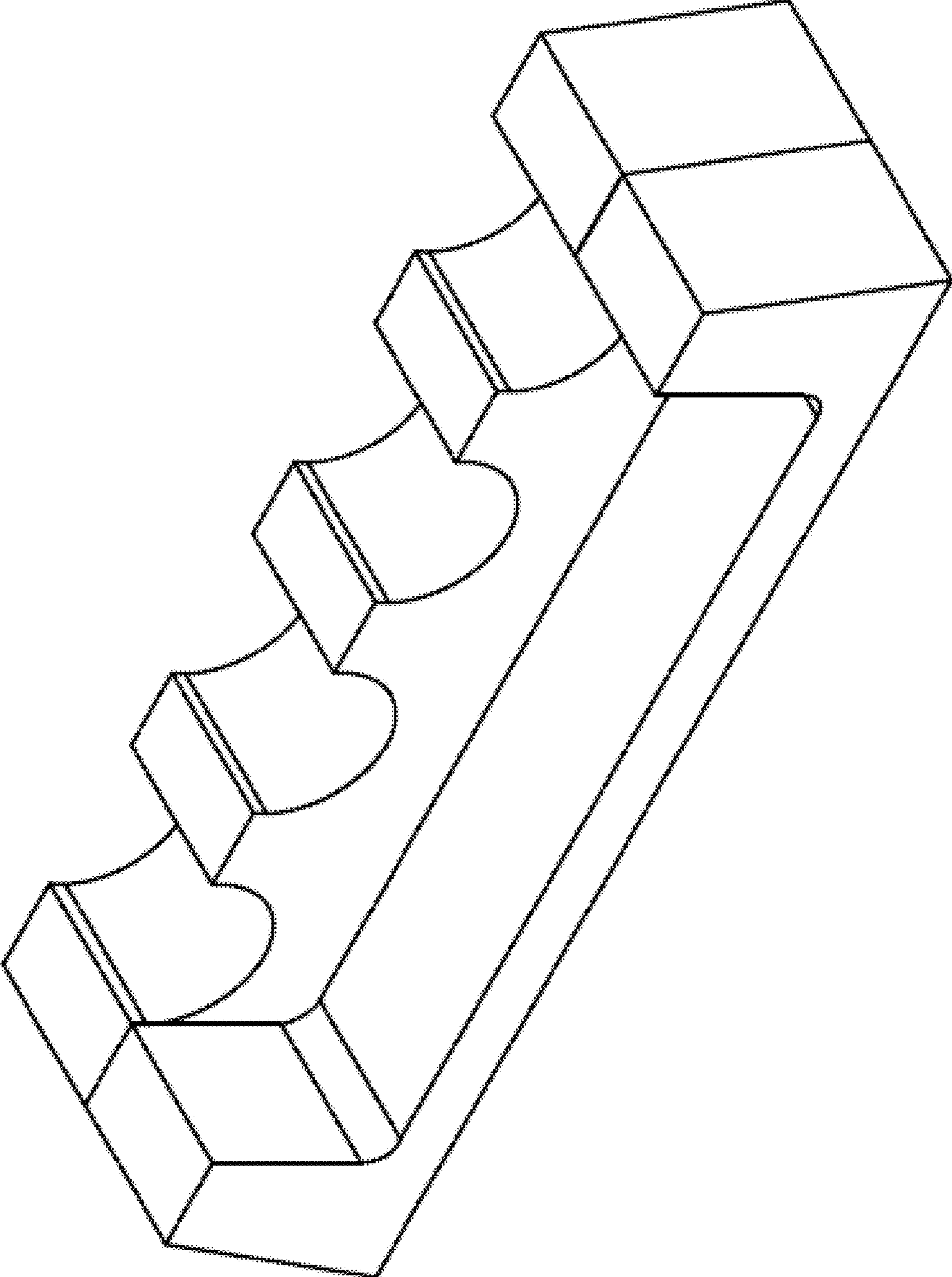


Fig. 2

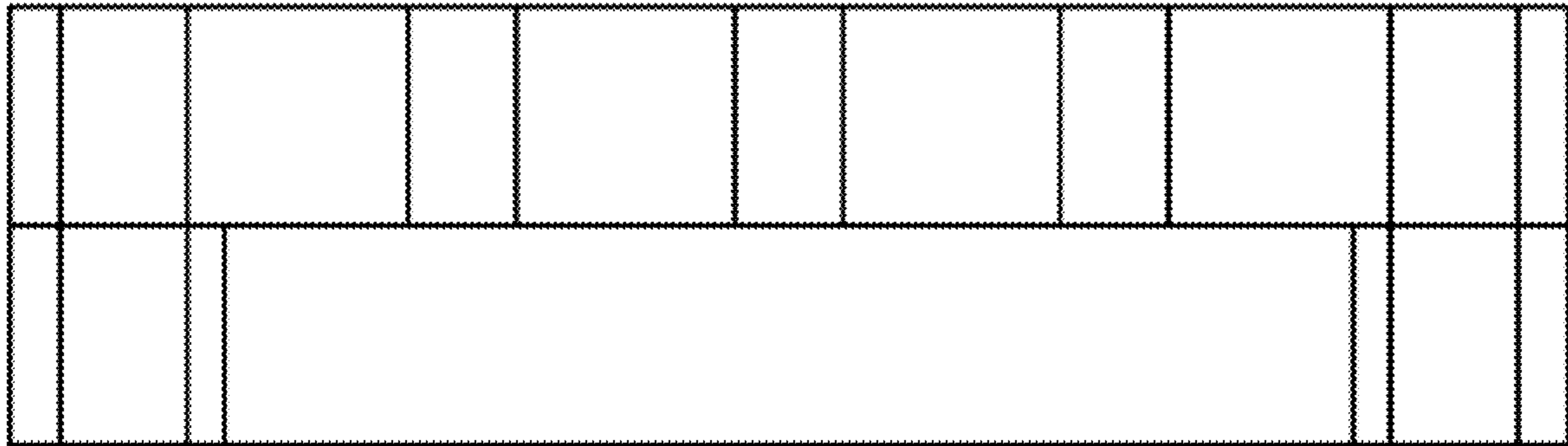


Fig. 3



Fig. 4

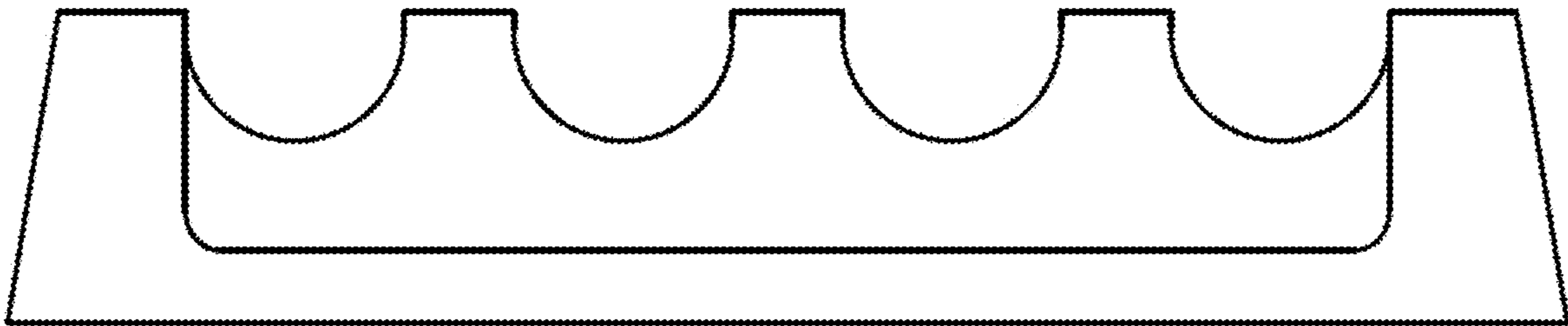


Fig. 5

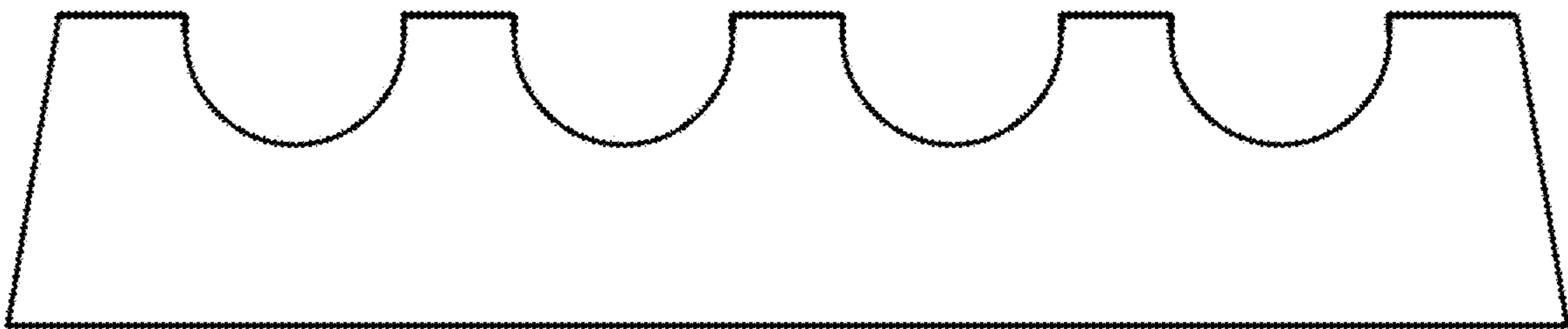


Fig. 6

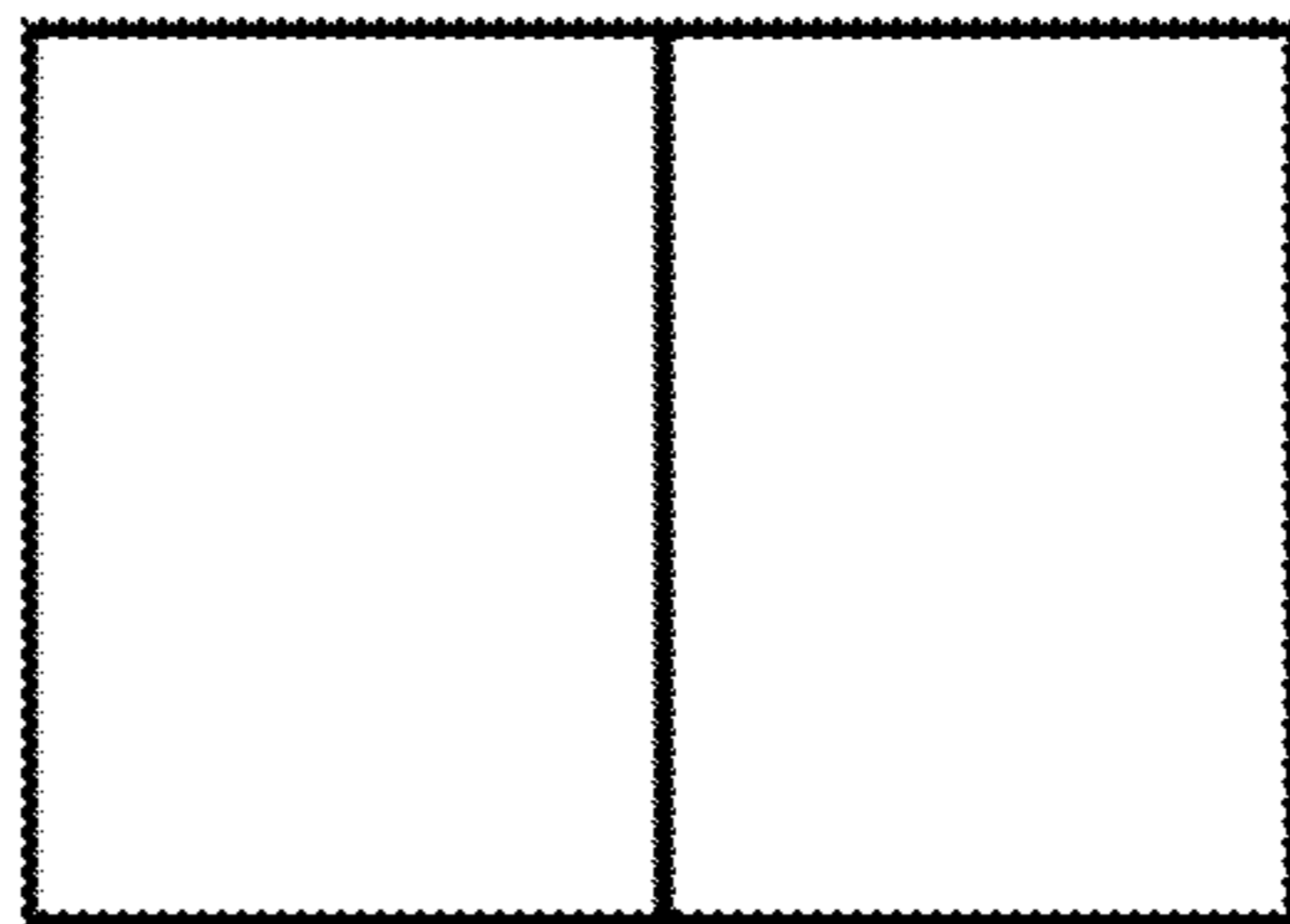


Fig. 7

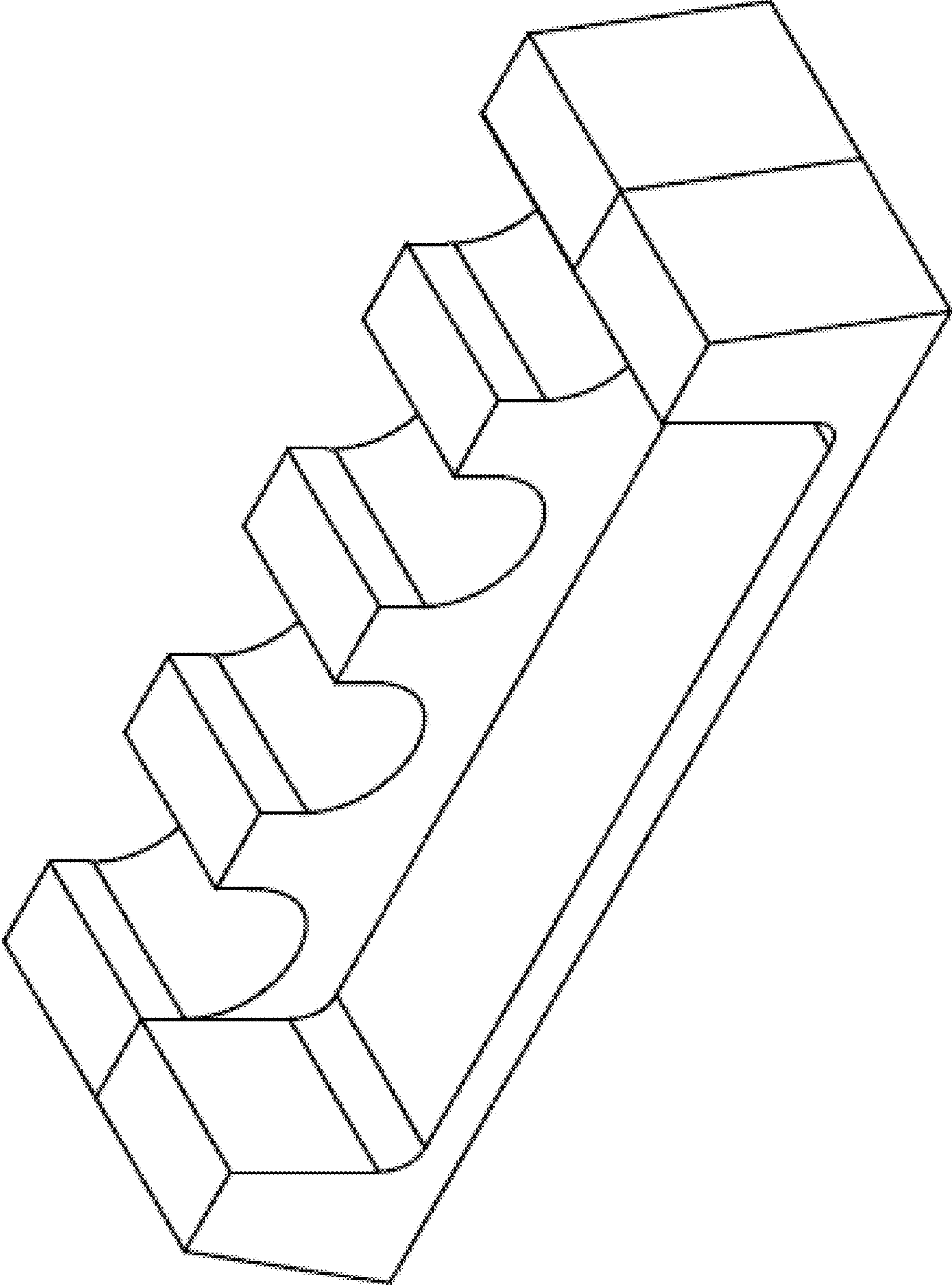


Fig. 8

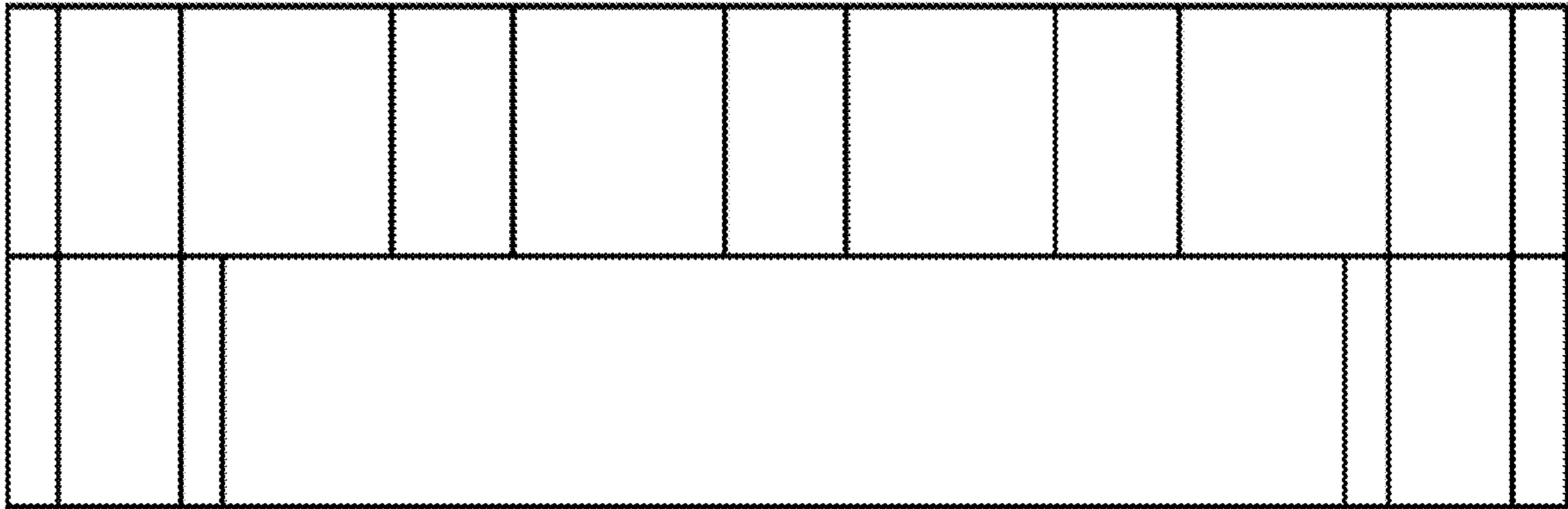


Fig. 9

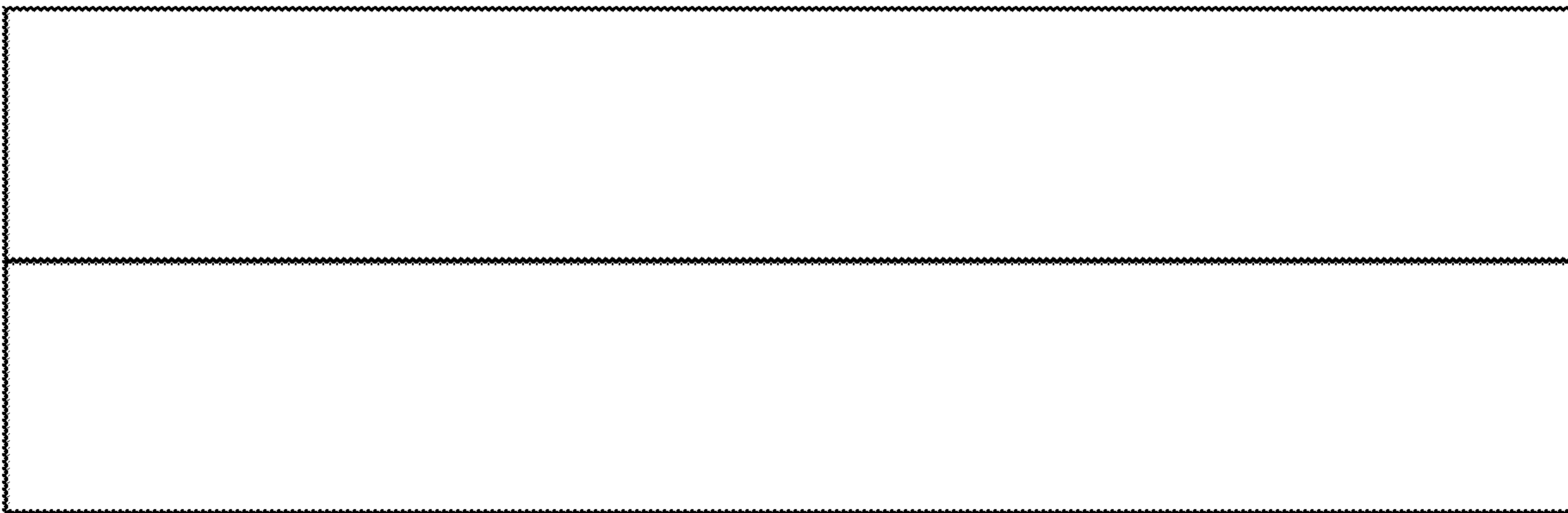


Fig. 10

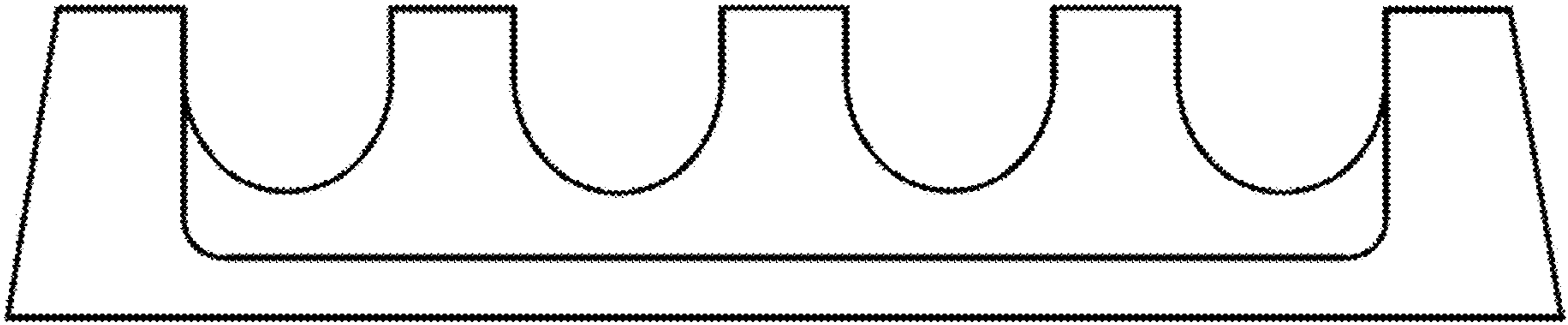


Fig. 11

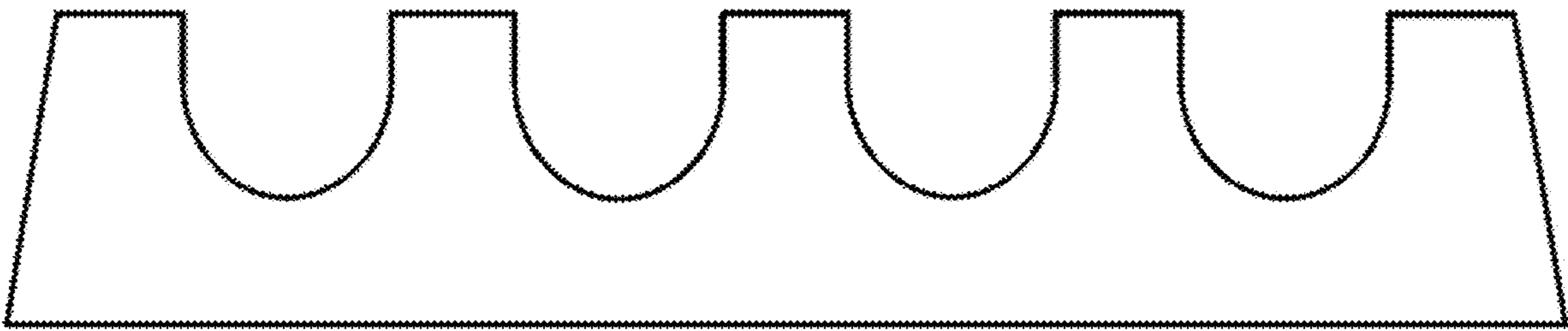


Fig. 12

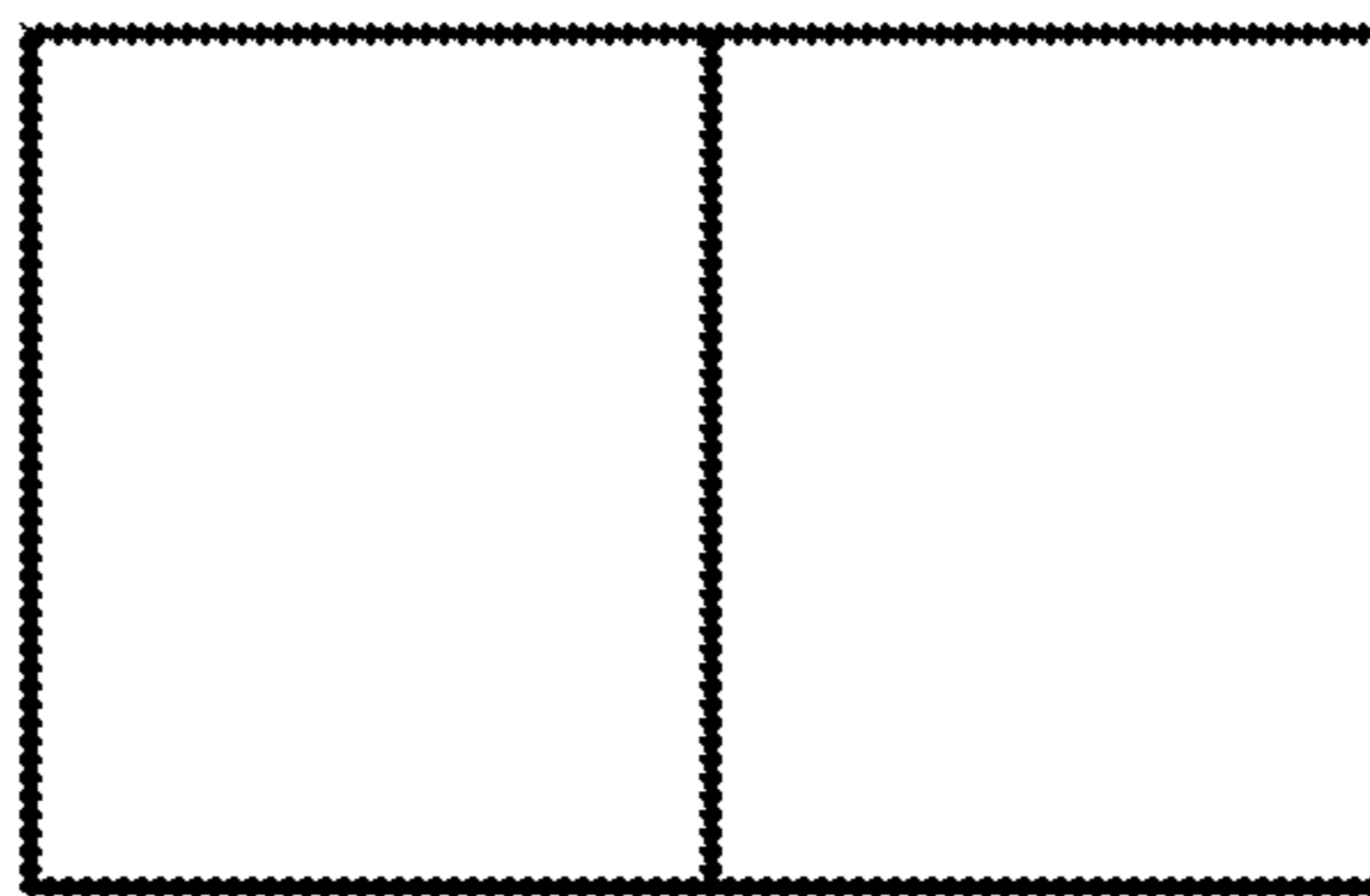


Fig. 13