



US00D907779S

(12) **United States Design Patent**
Hamaguchi

(10) **Patent No.:** **US D907,779 S**
(45) **Date of Patent:** **** Jan. 12, 2021**

(54) **HEARING AID FOR THE DEAF**
(71) Applicant: **GN Hearing A/S**, Ballerup (DK)
(72) Inventor: **Ippei Hamaguchi**, Kanagawa (JP)
(**) Term: **15 Years**

D653,346 S * 1/2012 Naumann D24/174
D676,561 S * 2/2013 Hornig D24/174
D720,075 S * 12/2014 Soeta D24/174
D805,203 S * 12/2017 Meinertz D24/174
D856,523 S * 8/2019 Green D24/186

* cited by examiner

Primary Examiner — Eliza Z Bennett-Hattan

(21) Appl. No.: **35/506,869**
(22) Filed: **Mar. 12, 2019**

(80) **Hague Agreement Data**

Int. Filing Date: **Mar. 12, 2019**
Int. Reg. No.: **DM/201102**
Int. Reg. Date: **Mar. 12, 2019**
Int. Reg. Pub. Date: **May 31, 2019**

(57) **CLAIM**

The ornamental design for a hearing aid for the deaf, as shown and described.

(51) **LOC (13) Cl.** **24-99**
(52) **U.S. Cl.**

USPC **D24/174**

DESCRIPTION

(58) **Field of Classification Search**
USPC D14/205, 223; D24/174, 106
CPC .. H04R 2225/55; H04R 25/70; H04R 25/552;
H04R 2225/43; H04R 25/558; H04R
25/65; H04R 2225/025
See application file for complete search history.

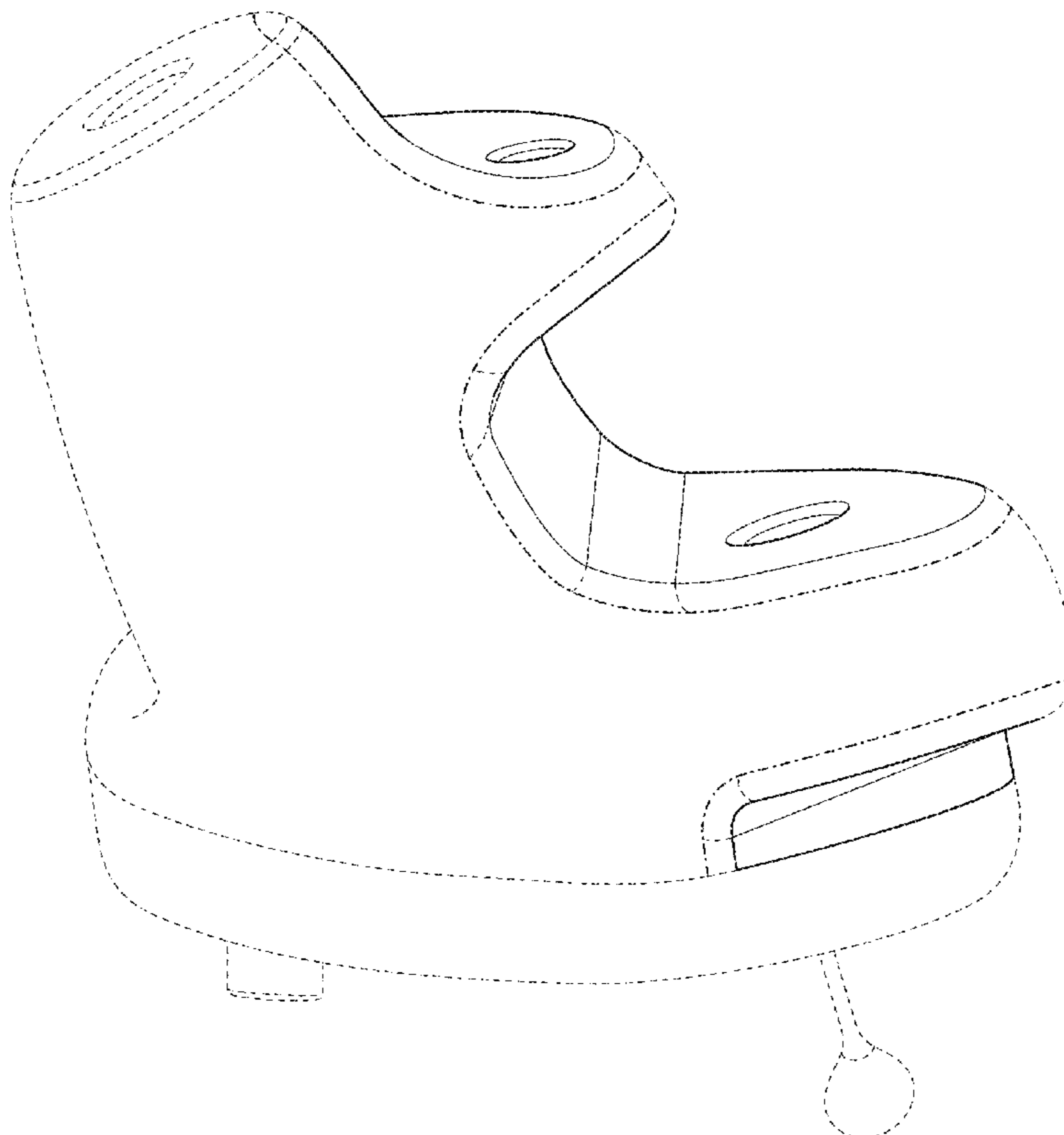
1. Hearing aid for the deaf
Figure 1.1 is a right perspective view of a hearing aid;
Figure 1.2 is a right side view of the hearing aid;
Figure 1.3 is a left side view of the hearing aid;
Figure 1.4 is a rear view of the hearing aid;
Figure 1.5 is a front view of the hearing aid;
Figure 1.6 is a top view of the hearing aid; and
Figure 1.7 is a bottom view of the hearing aid.
The portions of the hearing aid for the deaf shown in broken lines form no part of the claimed design.

(56) **References Cited**

U.S. PATENT DOCUMENTS

D273,707 S * 5/1984 McCall 381/328
D478,991 S * 8/2003 Dyer D24/174

1 Claim, 7 Drawing Sheets



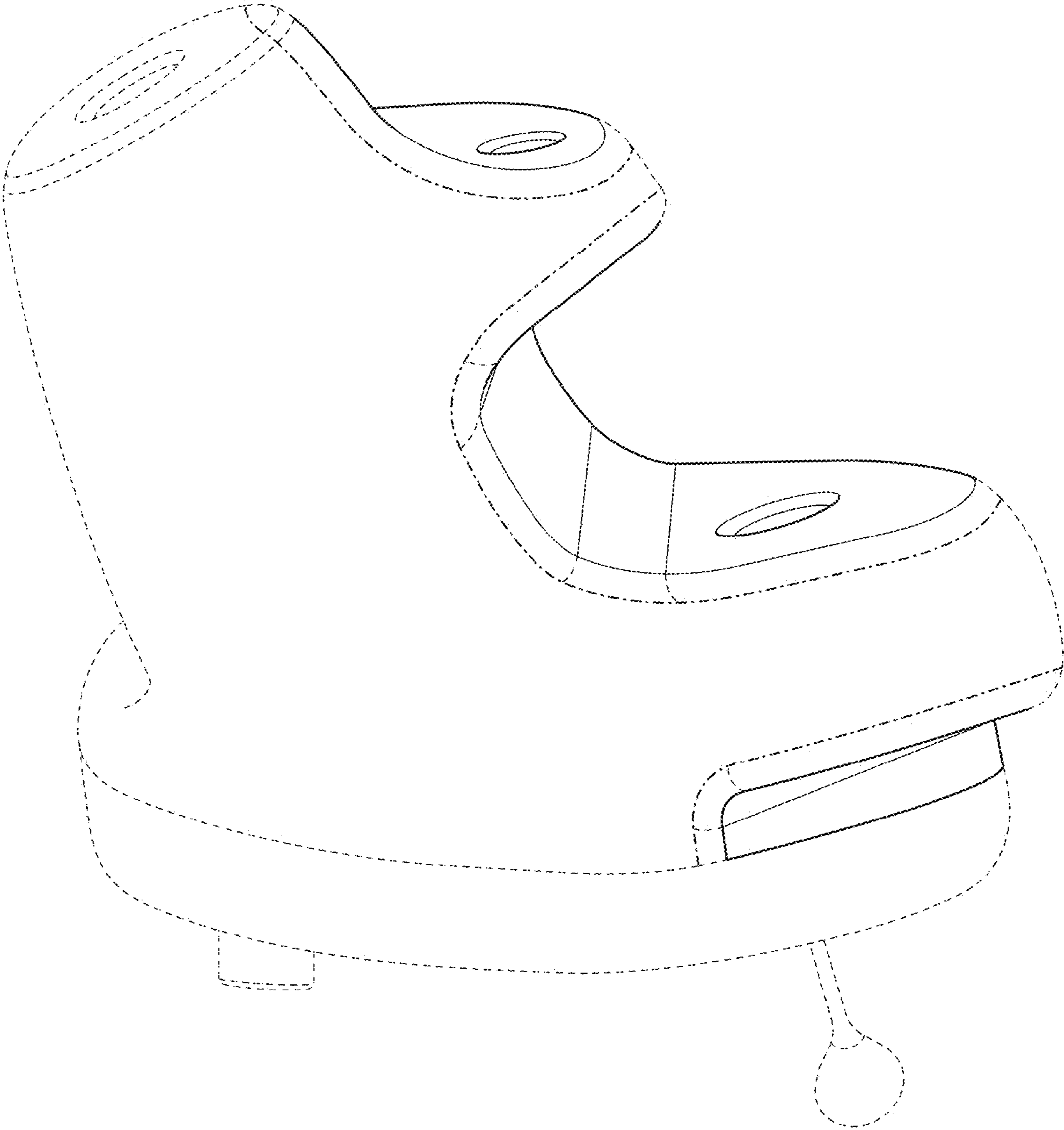


FIG. 1.1

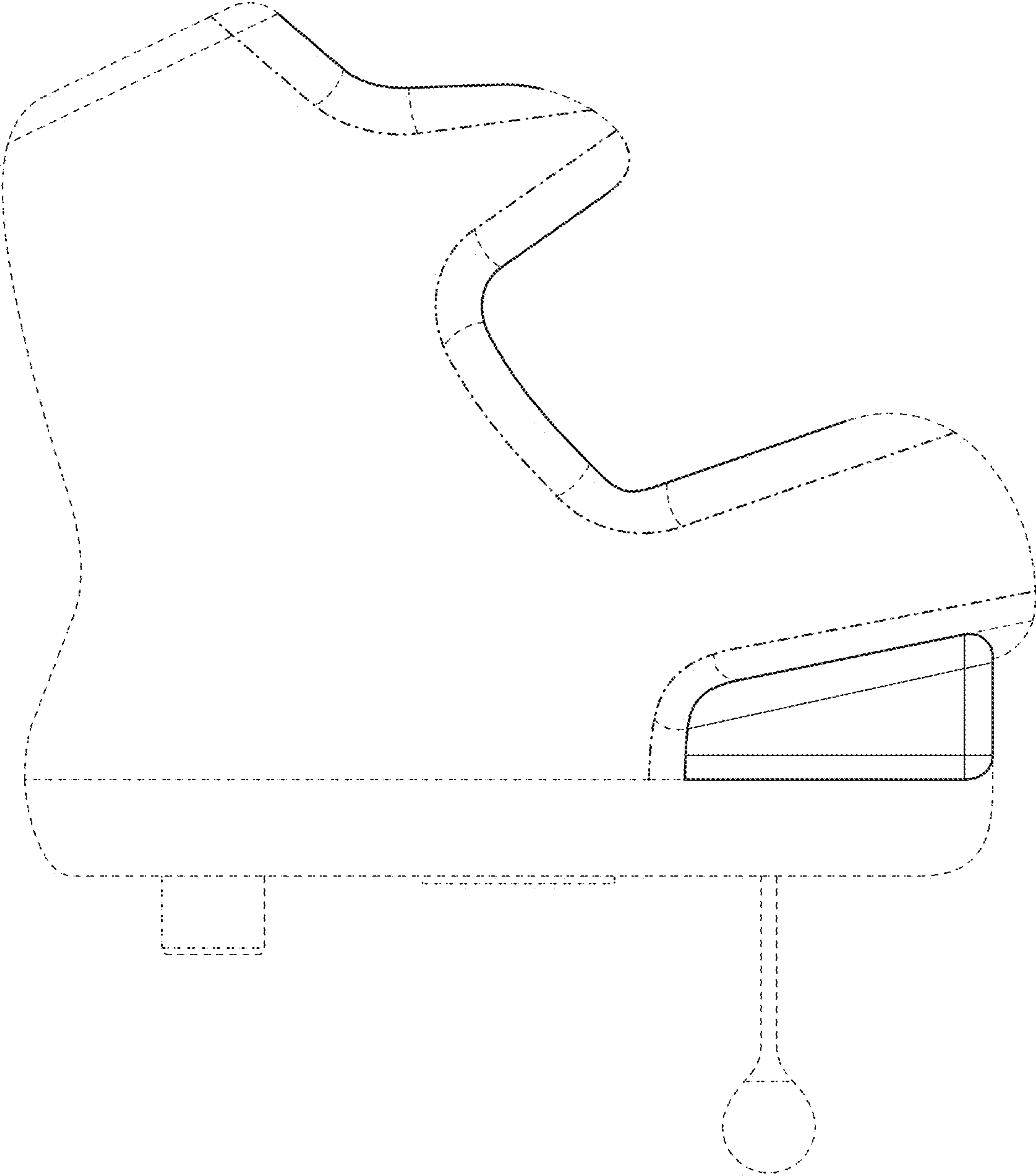


FIG. 1.2

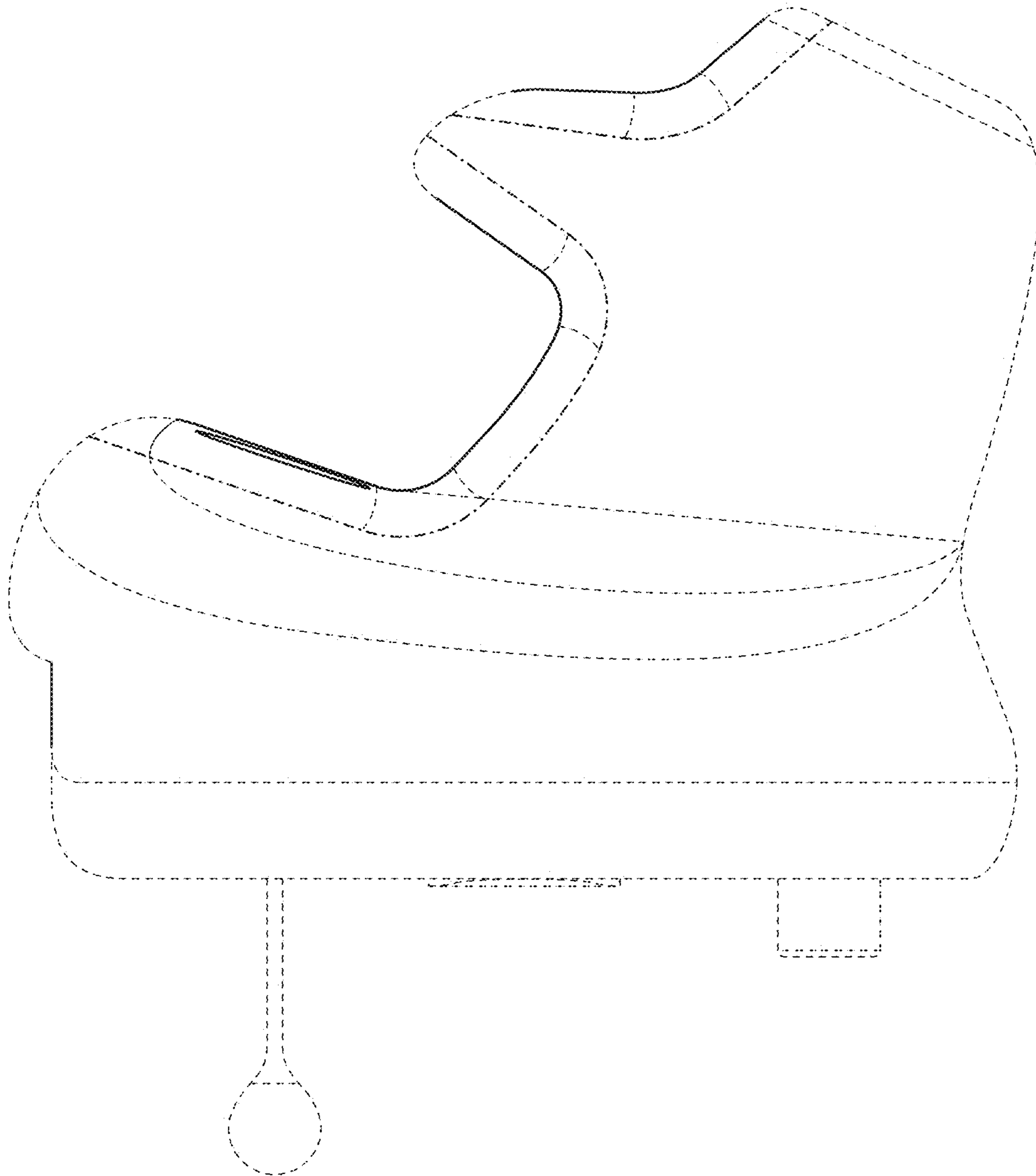


FIG. 1.3

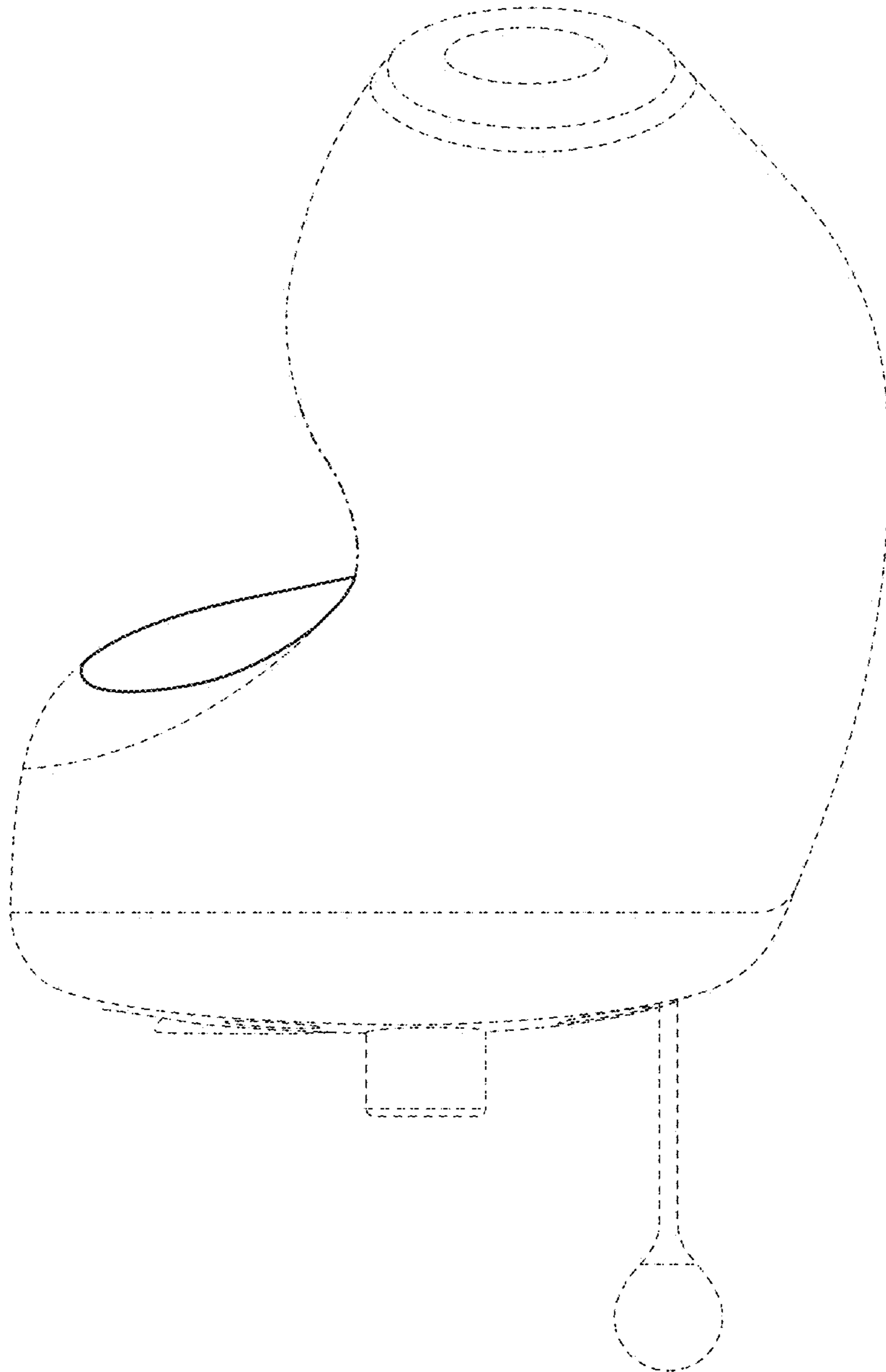


FIG. 1.4

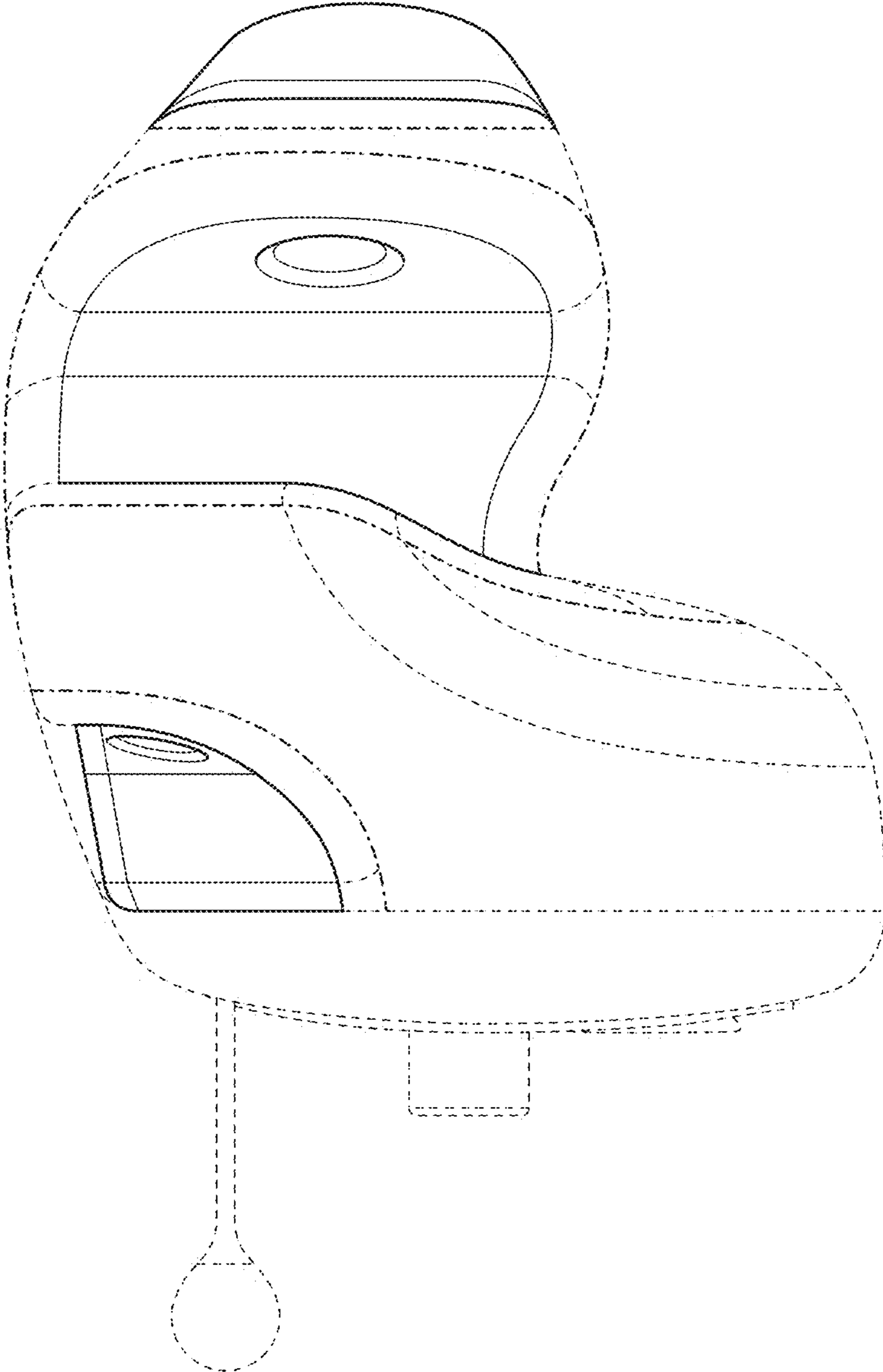


FIG. 1.5

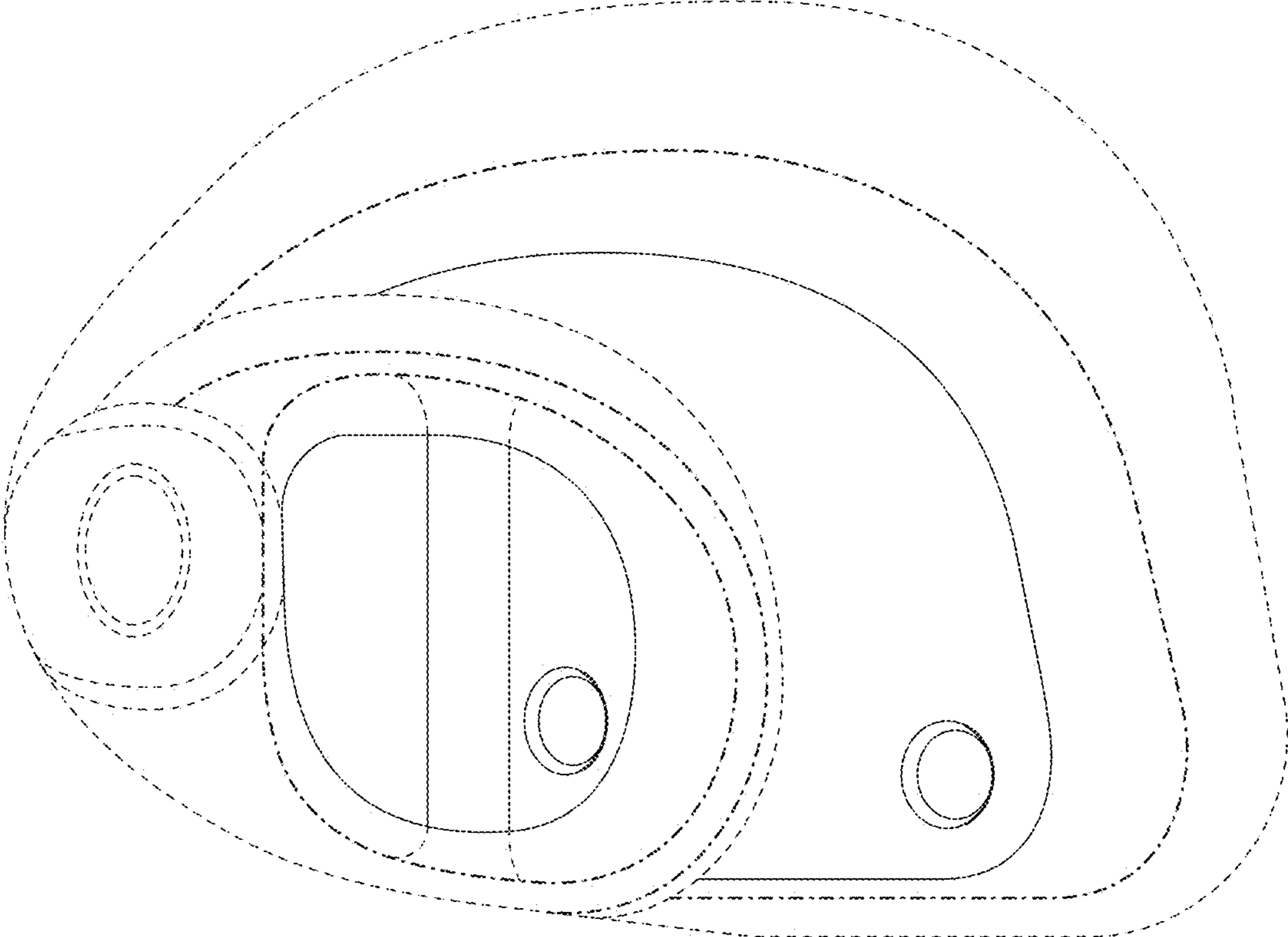


FIG. 1.6

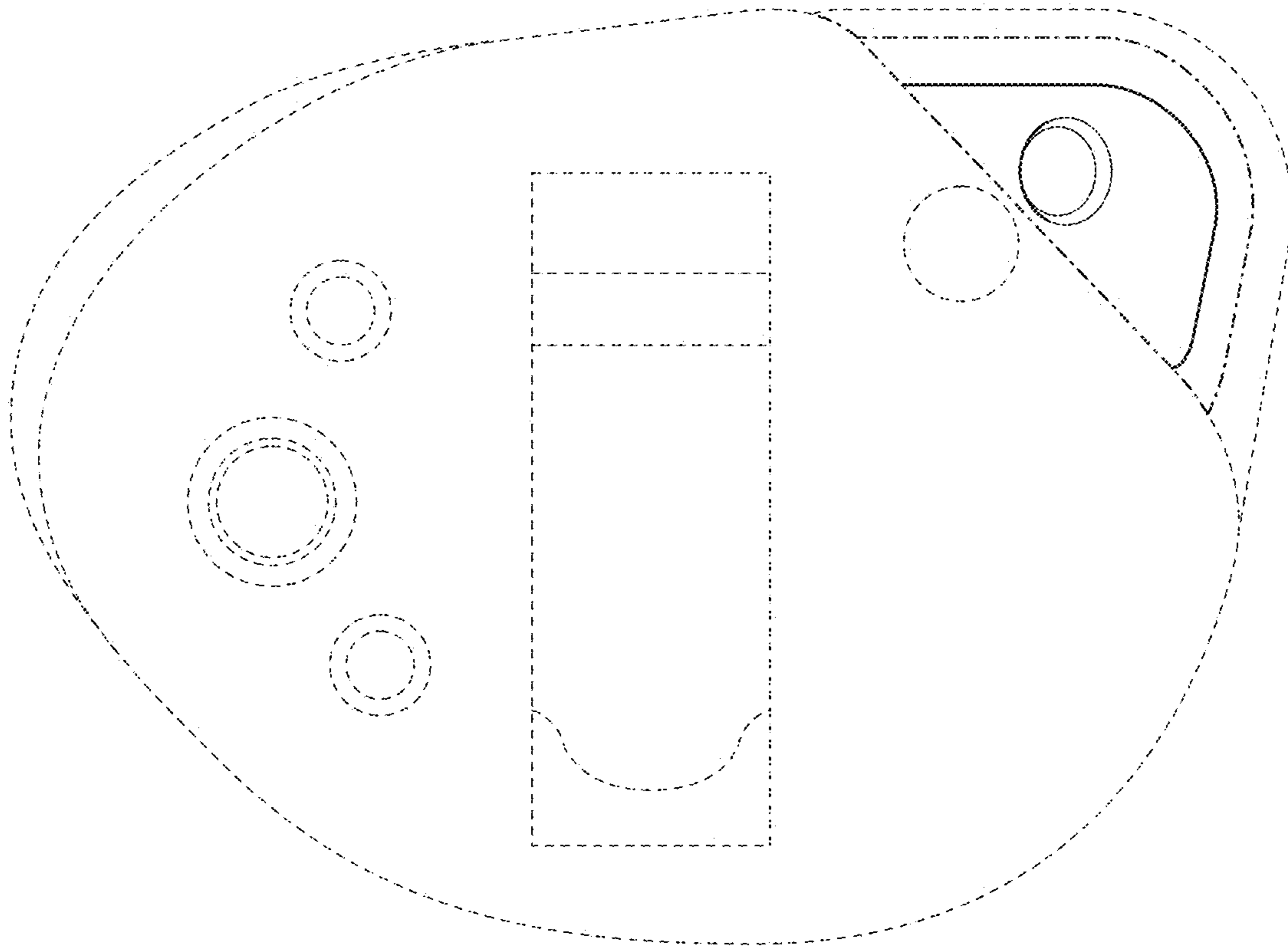


FIG. 1.7