



US00D907777S

(12) **United States Design Patent**
Hahn et al.

(10) **Patent No.:** **US D907,777 S**
(45) **Date of Patent:** **** Jan. 12, 2021**

(54) **MOLDED SINGLE PIECE PATIENT REPOSITIONING WEDGE**

(71) Applicant: **Medline Industries, Inc.**, Northfield, IL (US)

(72) Inventors: **Vincent Hahn**, Chicago, IL (US);
Jeremy Fogel, Evanston, IL (US);
Drew Phalen, Skokie, IL (US)

(73) Assignee: **Medline Industries, Inc.**, Northfield, IL (US)

(**) Term: **15 Years**

(21) Appl. No.: **29/676,199**

(22) Filed: **Jan. 9, 2019**

(51) **LOC (13) Cl.** **24-02**

(52) **U.S. Cl.**
USPC **D24/171**; D24/183; D24/190

(58) **Field of Classification Search**
USPC D24/183-184, 188, 190-191, 200, 211,
D24/215, 171; D6/392, 596, 601;
D29/101.3
CPC A61B 34/71; A61B 90/14; A61G 13/0036;
A61G 13/0054; A61G 13/1285; A61G
13/1295; A61G 13/12; A47C 21/00;
A47C 21/003

See application file for complete search history.

(56) **References Cited**

U.S. PATENT DOCUMENTS

D215,536 S * 10/1969 Larsen D6/601
4,048,681 A 9/1977 Baulch
4,686,719 A 8/1987 Johnson
4,802,249 A 2/1989 Bills

(Continued)

OTHER PUBLICATIONS

PrevalonTurn and Position System 2.0 by Sage Products. Online,
published date unknown. Retrieved on Apr. 3, 2020 from URL:

https://www.medline.com/product/PrevalonTurn-and-Position-System-20-by-Sage-Products/Positioners/Z05-PF90858?question=position&index=P4&indexCount=4.*

(Continued)

Primary Examiner — Susan Bennett Hattan

Assistant Examiner — Omeed Agilee

(74) *Attorney, Agent, or Firm* — Fitch, Even, Tabin & Flannery LLP

(57) **CLAIM**

The ornamental design for a molded single piece patient repositioning wedge, as shown and described.

DESCRIPTION

FIG. 1 is a top, front perspective view of a molded single piece patient repositioning wedge in accordance with a first embodiment of our new design;

FIG. 2 is a bottom, rear perspective view thereof;

FIG. 3 is a front elevation view thereof;

FIG. 4 is a rear elevation view thereof;

FIG. 5 is a top plan view thereof;

FIG. 6 is a bottom plan view thereof;

FIG. 7 is a left elevation view thereof;

FIG. 8 is a right elevation view thereof;

FIG. 9 is a top, front perspective view of a molded single piece patient repositioning wedge in accordance with a second embodiment of our new design;

FIG. 10 is a bottom, rear perspective view thereof;

FIG. 11 is a front elevation view thereof;

FIG. 12 is a rear elevation view thereof;

FIG. 13 is a top plan view thereof;

FIG. 14 is a bottom plan view thereof;

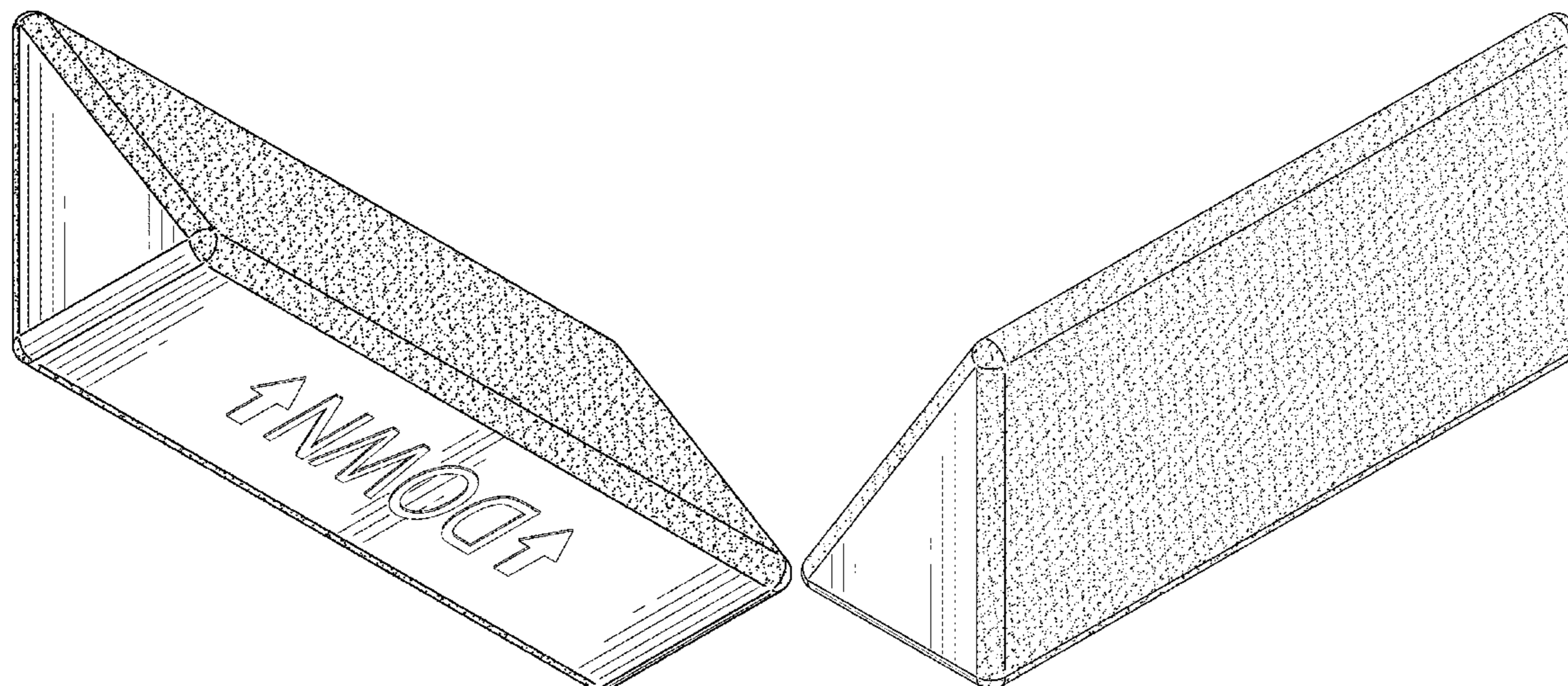
FIG. 15 is a left elevation view thereof; and,

FIG. 16 is a right elevation view thereof.

The broken lines depict portions of the molded single piece patient positioning wedge that form no part of the claimed design.

The surface stippling in the drawings represents a contrast in appearance relative to non-stippled areas.

1 Claim, 14 Drawing Sheets



(56)

References Cited

U.S. PATENT DOCUMENTS

D336,134 S * 6/1993 Kalatsky D24/190
 D366,527 S * 1/1996 Paterson D24/158
 5,526,543 A 6/1996 DiMatteo
 5,943,839 A * 8/1999 Miller E04D 1/26
 182/45
 6,073,291 A 6/2000 Davis
 6,230,350 B1 * 5/2001 Goldstein A47C 20/026
 5/636
 6,684,425 B2 2/2004 Davis
 6,931,683 B1 8/2005 Elkin
 7,028,350 B1 4/2006 Davis
 7,168,115 B2 1/2007 Davis
 7,240,384 B2 7/2007 DuDonis
 7,328,471 B1 2/2008 Stohr
 7,475,441 B1 * 1/2009 Soberal A47D 9/02
 5/655
 D610,852 S * 3/2010 Rothschild D6/601
 7,681,262 B2 3/2010 Weedling
 8,152,749 B2 4/2012 Ponsi
 8,435,199 B2 5/2013 Ponsi
 D690,424 S 9/2013 Ponsi
 8,535,255 B2 9/2013 Ponsi
 8,789,533 B2 7/2014 Steffens
 8,850,634 B2 10/2014 Ponsi
 8,984,681 B2 3/2015 Ponsi
 D733,897 S * 7/2015 Rossouw D24/184
 9,414,977 B2 8/2016 Ponsi
 D778,373 S * 2/2017 Gossett D21/685
 9,693,920 B2 7/2017 Fowler
 9,820,902 B2 11/2017 Ponsi
 9,820,903 B2 11/2017 Steffens
 D805,325 S * 12/2017 Chan D6/601
 9,849,053 B2 12/2017 Rigoni
 9,861,544 B2 1/2018 Rigoni
 10,064,773 B2 9/2018 Rigoni
 D837,566 S * 1/2019 Connors D6/601
 D868,500 S * 12/2019 Rowe D6/601
 D871,593 S * 12/2019 Rossouw D24/190
 D872,504 S * 1/2020 Toft D6/601
 D876,860 S * 3/2020 Swanson D6/601
 2005/0005358 A1 1/2005 DuDonis
 2010/0262050 A1 * 10/2010 Gasparovich A47C 21/006
 601/57
 2012/0186012 A1 7/2012 Ponsi
 2012/0186587 A1 7/2012 Steffens
 2013/0205495 A1 8/2013 Ponsi
 2014/0189956 A1 * 7/2014 Sosi A47D 13/08
 5/655
 2016/0331611 A1 11/2016 Ponsi
 2017/0049647 A1 2/2017 Rigoni

2017/0049648 A1 2/2017 Kennedy
 2017/0051851 A1 2/2017 Kennedy
 2017/0119608 A1 5/2017 Rigoni
 2017/0216117 A1 8/2017 Rigoni
 2017/0296414 A1 10/2017 Fowler
 2018/0049935 A1 2/2018 Rigoni

OTHER PUBLICATIONS

Top 10 Best Wedge Pillows in 2020. Online, published date Mar. 13, 2018. Retrieved on Apr. 3, 2020 from URL: <https://www.youtube.com/watch?v=gJqFhpx17sQ>.*

Acello, Barbara; Nursing Assisting: Essentials of Long Term Care; 2nd Edition, Thomson/Delmar Learning; Chapter 8, p. 164, "Moving and Positioning Devices for Comfort and Pressure Relief", Aug. 4, 2004; 1 page.

Aktiverings—og forflytningshjælpe midler Forflytningssystemer katalog (in Danish); Positioning Wedge pp. 26-27; Etac A/S; publicly available at least as of 2009; 32 pages.

Aktiverings—og forflytningshjælpe midler Mindre forflytningshjælpe midler katalog (in Danish); Positioning Wedge pp. 18-19; Etac Sveridge AB; publicly available at least as of 2009; 24 pages.

AliMed® Safe Patient Handling catalog; "In-Bed Patient Positioning System" p. 11; AliMed® inc.; presently believed to be publicly available at least as of 2011; 24 pages.

Comfort Glide Foam Wedges from <https://www.medline.com/product/Comfort-Glide-Foam-Wedges/Wedges/Z05-PF80217?question=wedge&index=P2&indexCount=2#>, Medline Industries, Inc.; publicly available at least as of Mar. 2015; 4 pages.

Etac 4Way Glide Bed Management System product brochure; Etac®; presently believed to be publicly available at least as of 2005; 4 pages.

In-Bed Patient Positioning System product brochure from Skil-Care™ Corporation; presently believed to be publicly available at least as of Oct. 2013; 2 pages.

National Guideline Clearinghouse: Prevention of Pressure Ulcers from <http://www.guideline.gov/syntheses/printView.aspx?id=25078>, retrieved Sep. 5, 2013; U.S. Department of Health & Human Services, Agency for Healthcare Research and Quality; 9 pages.

No-Slip Wedge™ Positioning Cushion Instruction Sheet; Intensive Therapeutics, Inc.; presently believed to be publicly available at least as of 2005; 1 page.

Skil-Care™ Corporation; Long-Term/Acute Care & Rehab Product Catalog—Bed Positioning; 2012-2013; 8 pages.

Turnwedge™ The Ultimate Body Positioner, product instructions; CarePlus Medical, Inc.; from <https://web.archive.org/web/20100327/http://turnwedge.com/>; presently believed to be publicly available at least as of Mar. 27, 2010; 1 page.

* cited by examiner

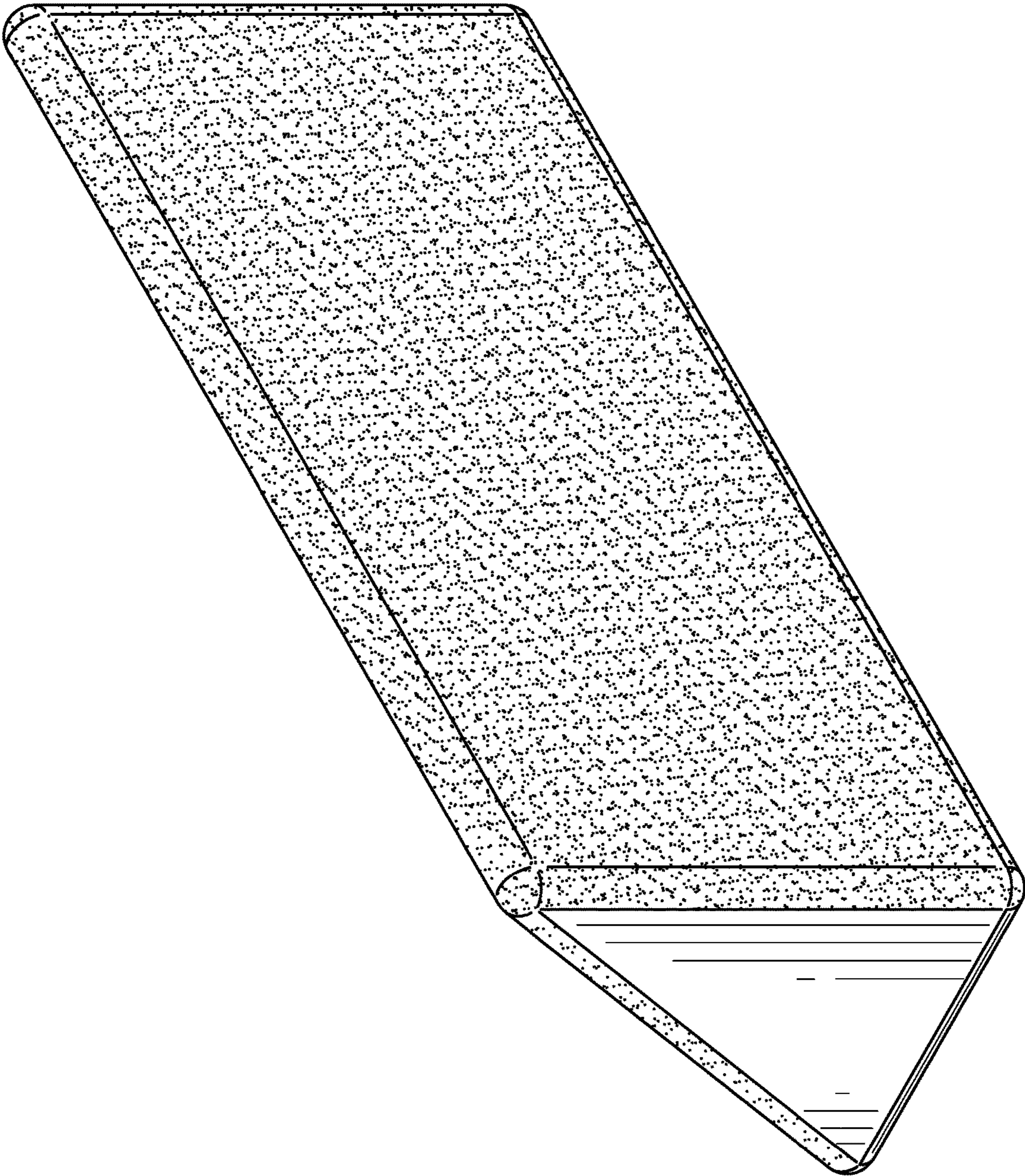


FIG. 1

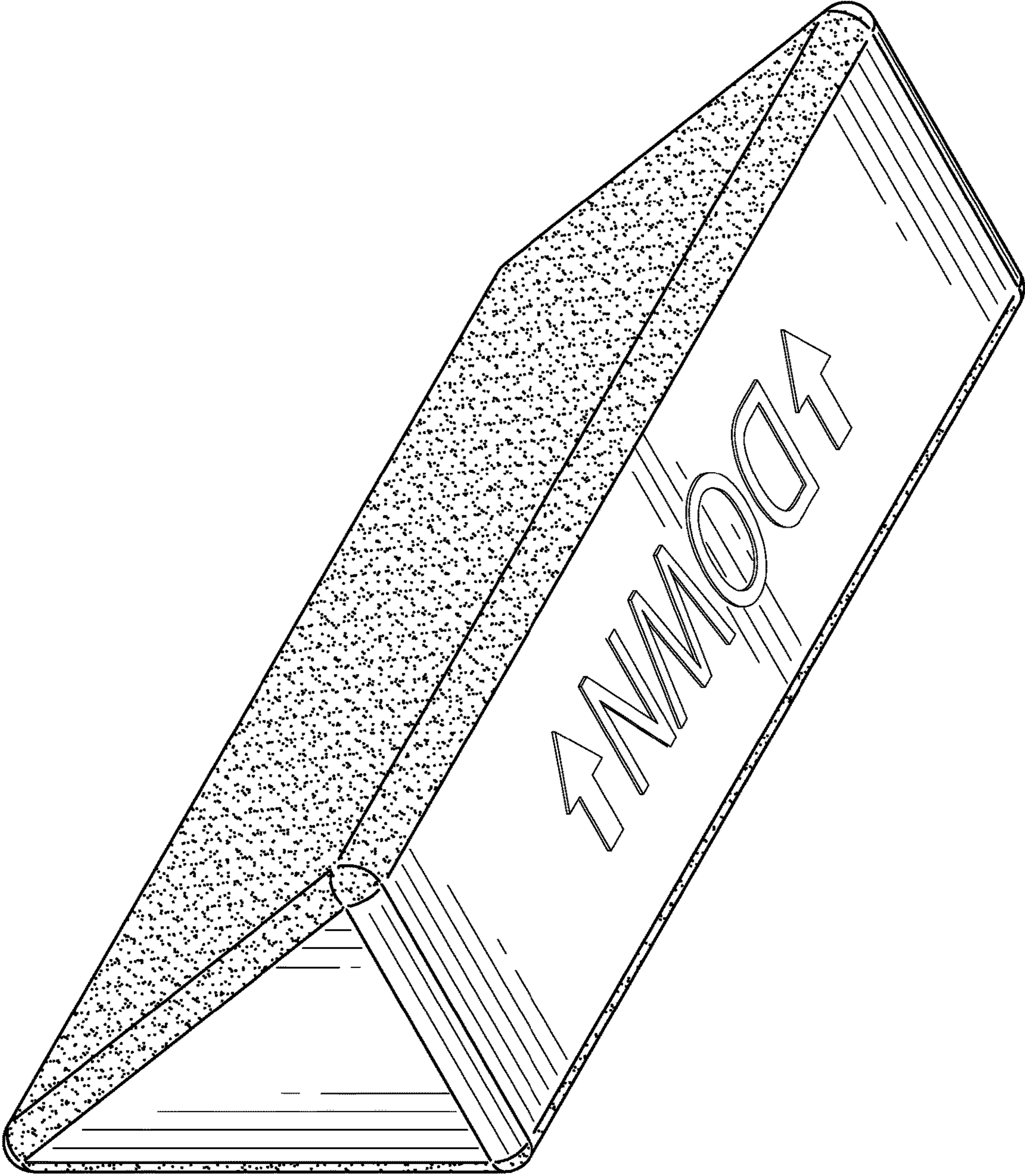


FIG. 2

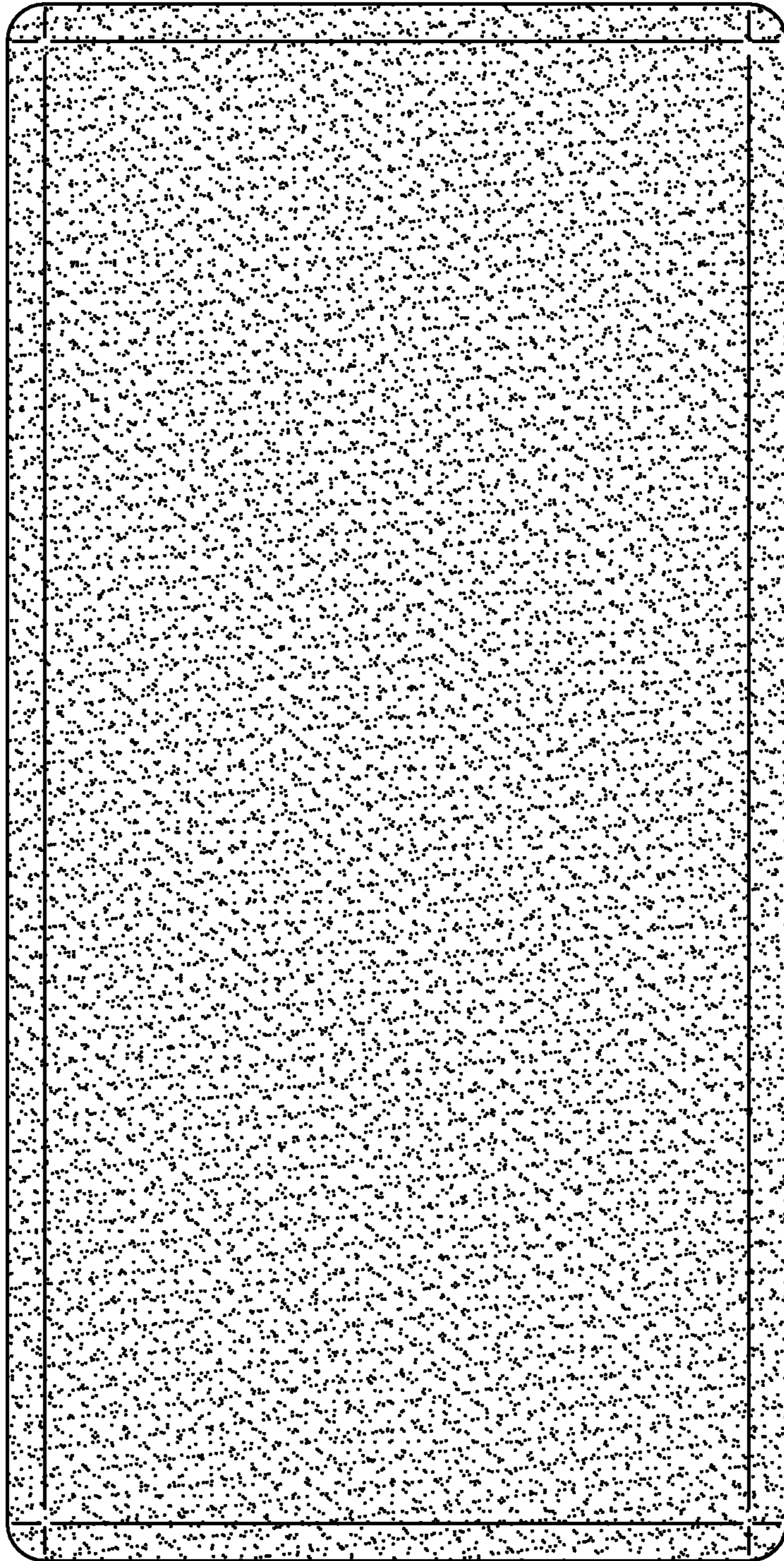


FIG. 3

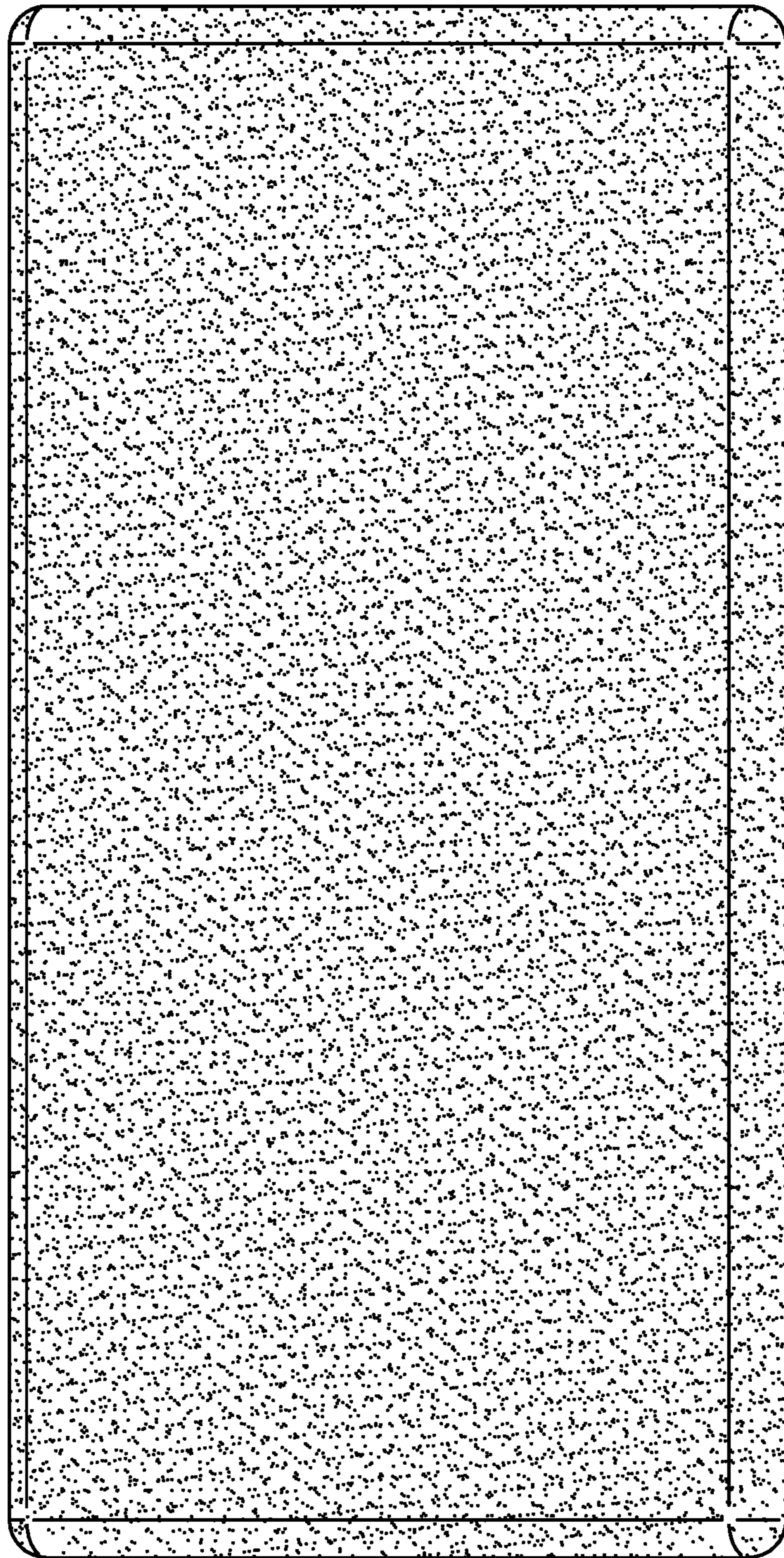


FIG. 4

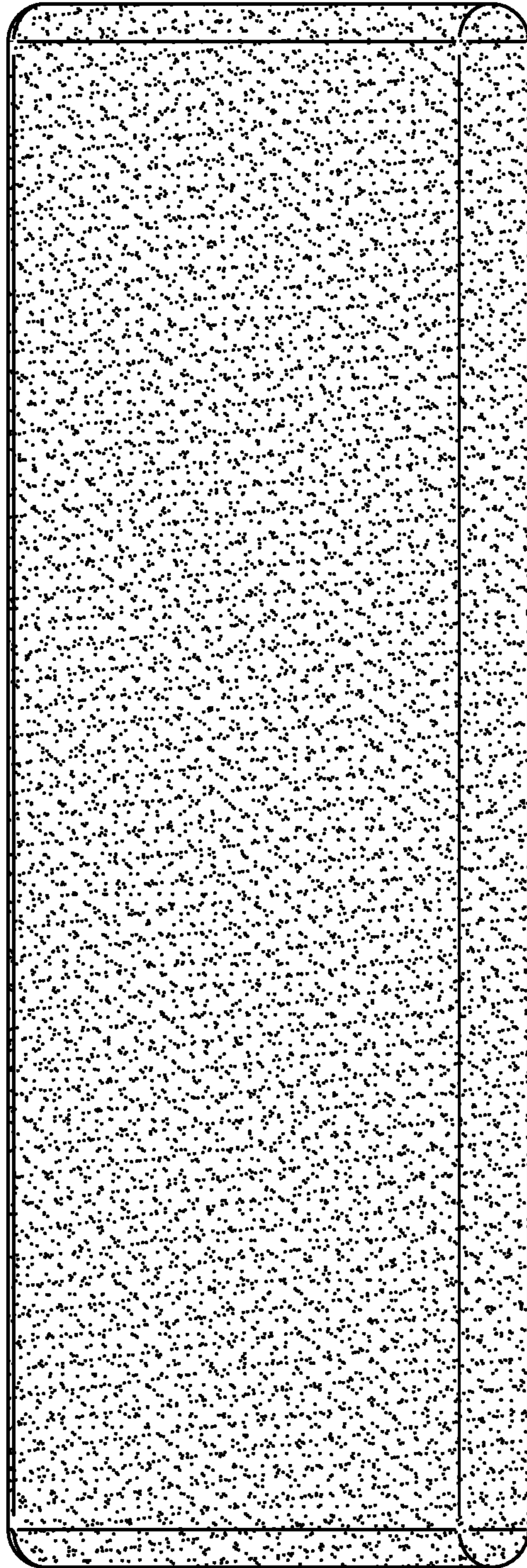


FIG. 5

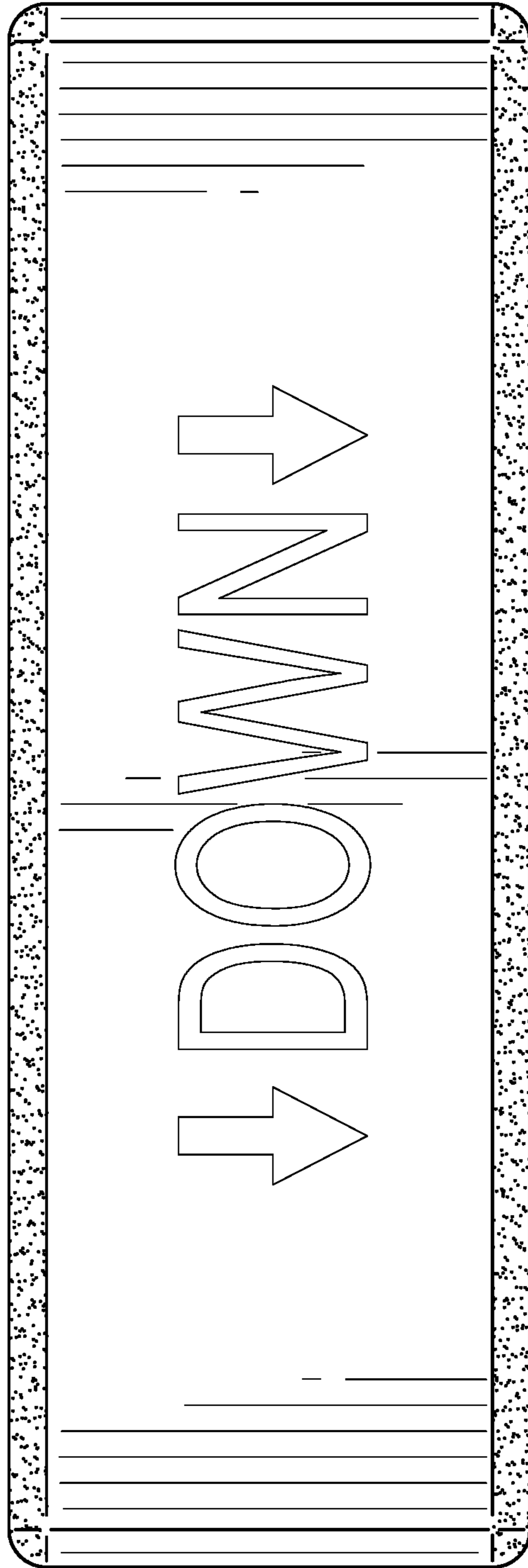


FIG. 6

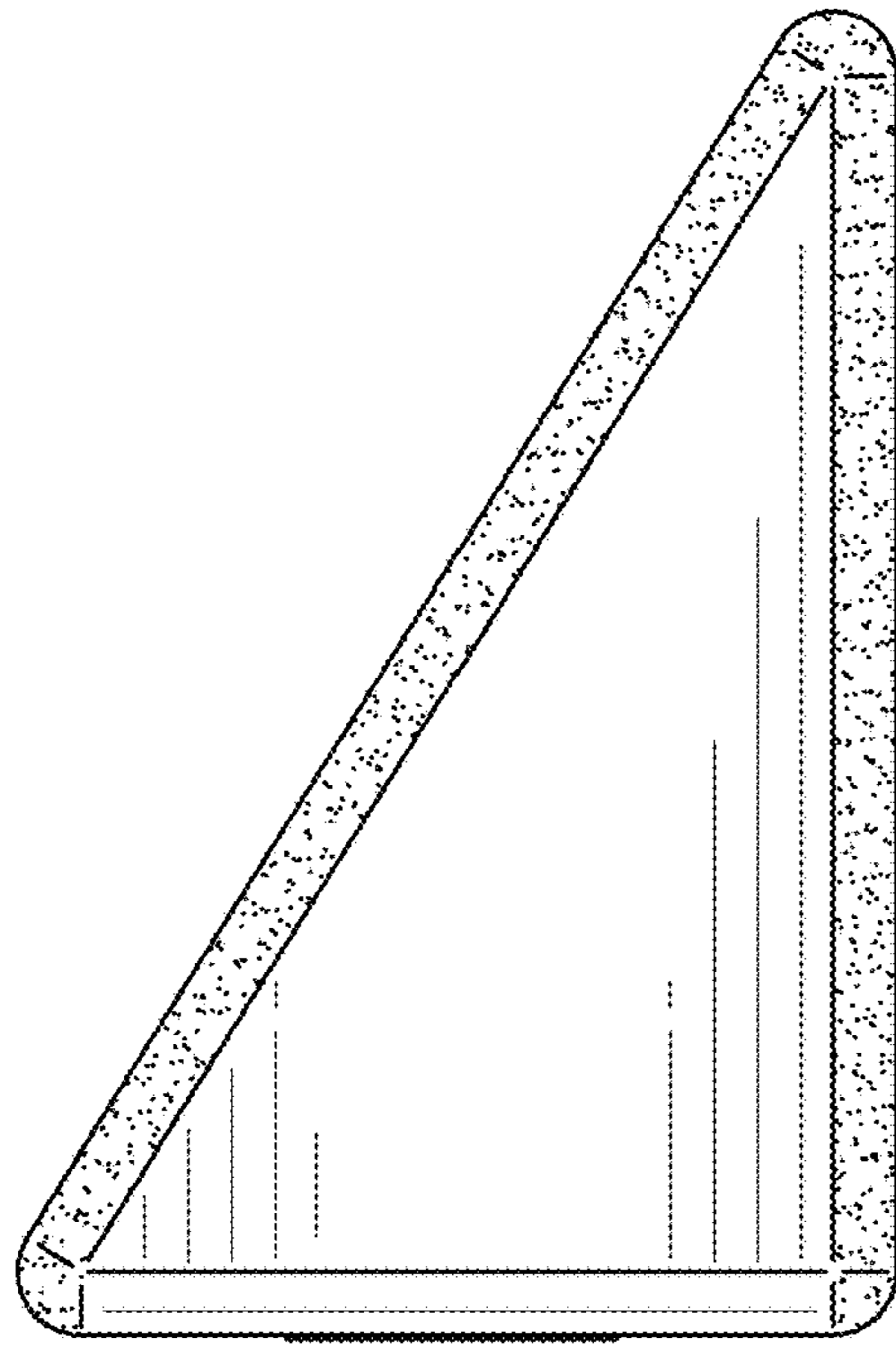


FIG. 7

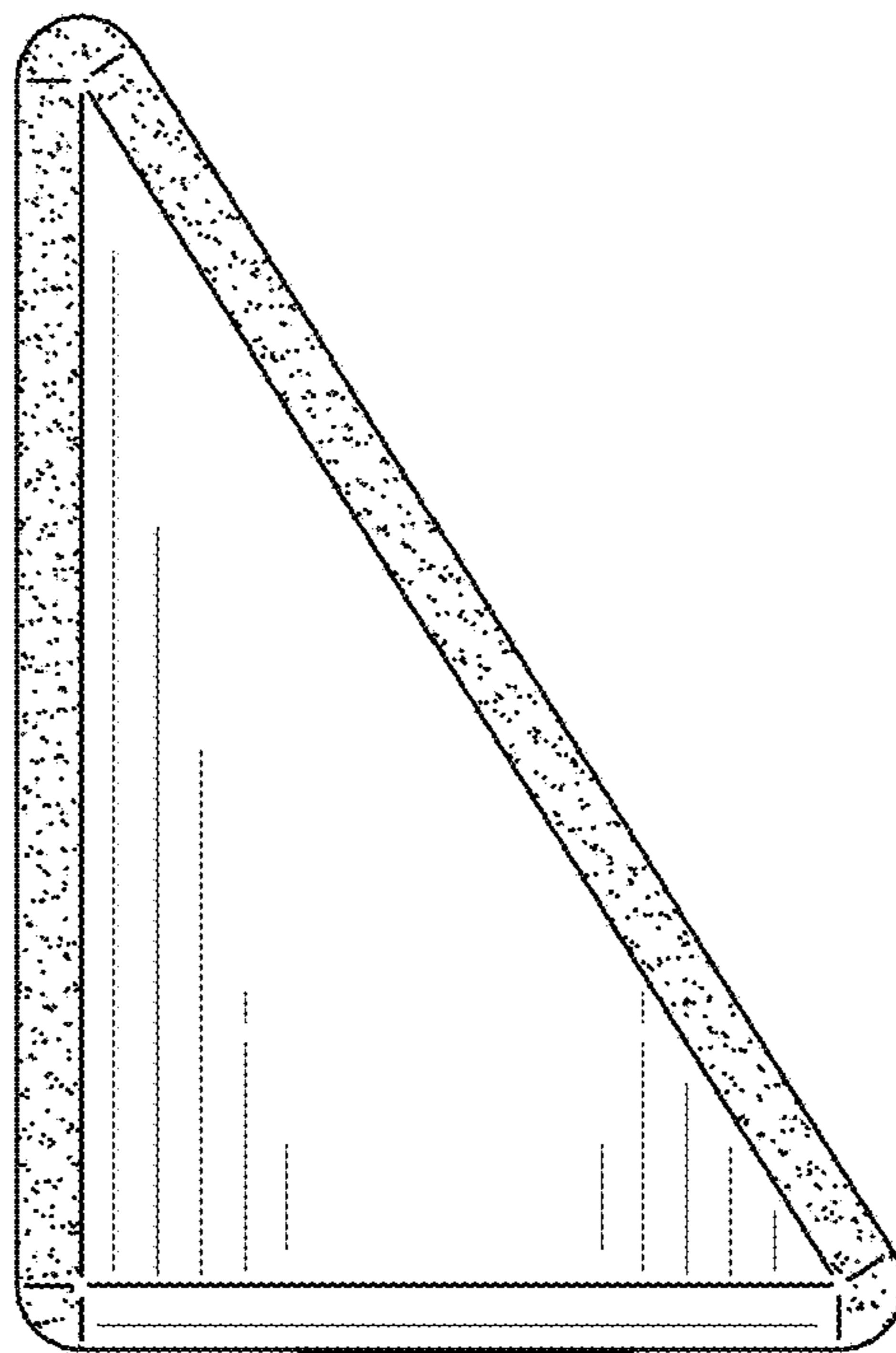


FIG. 8

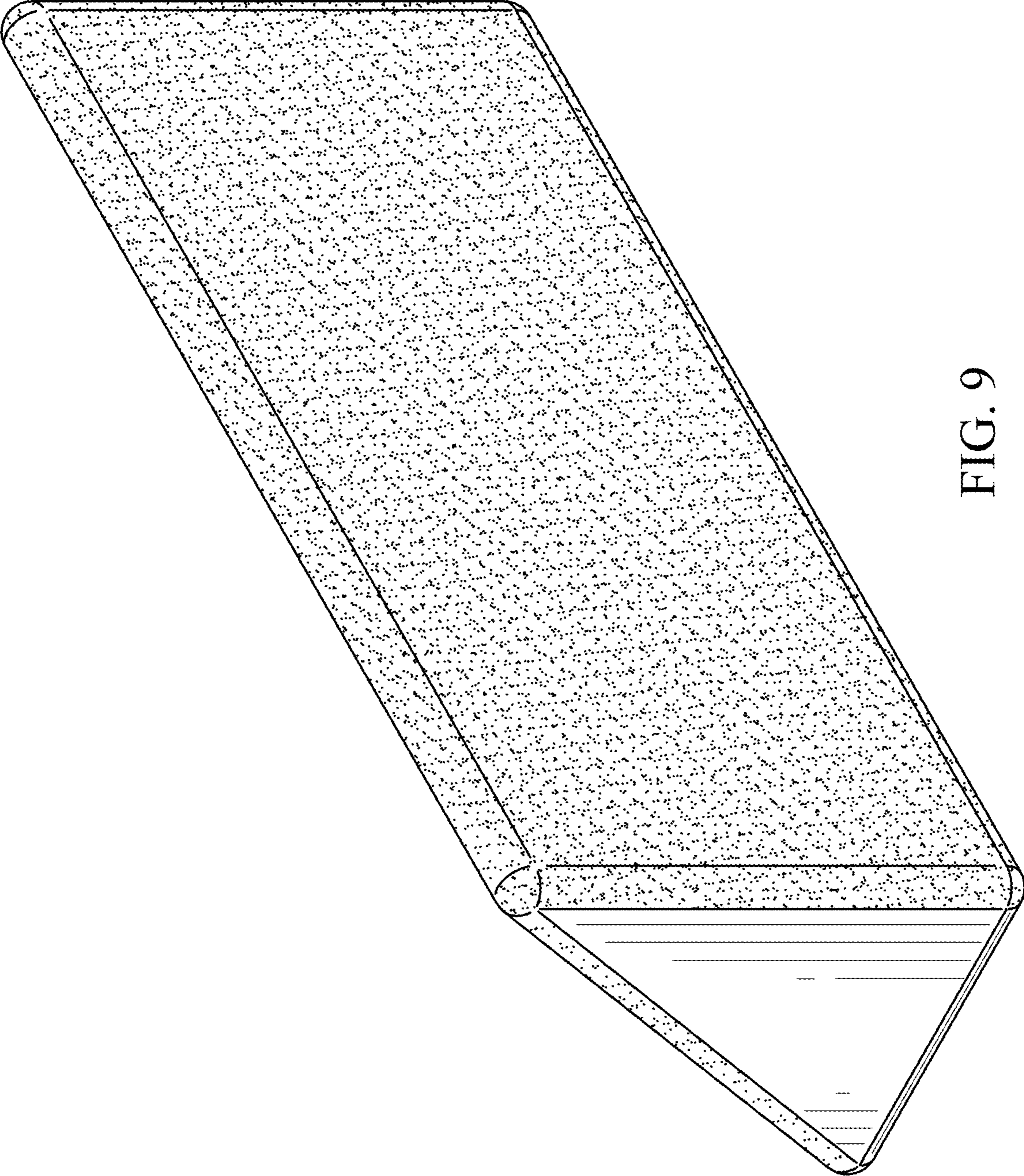


FIG. 9

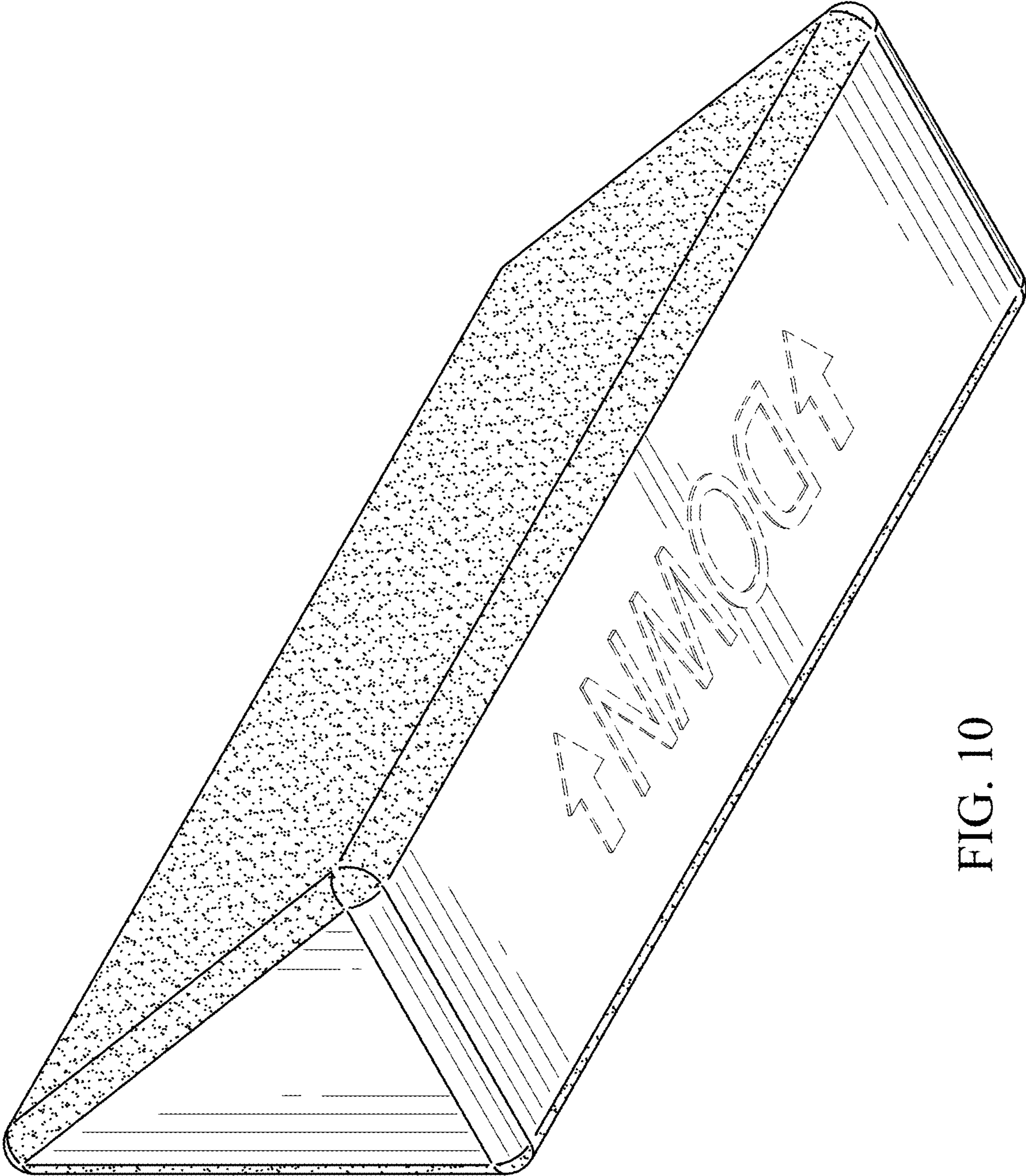


FIG. 10

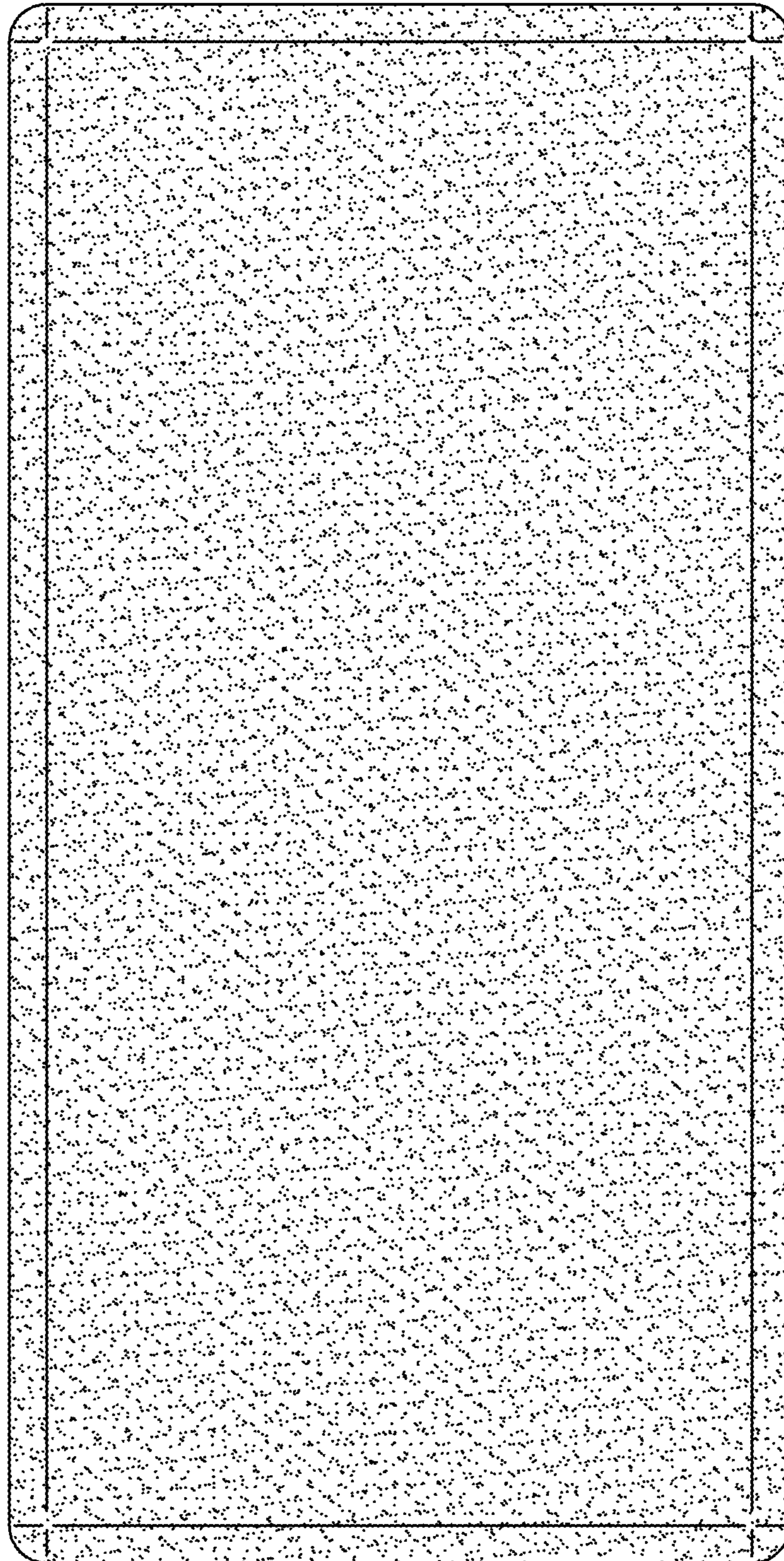


FIG. 11

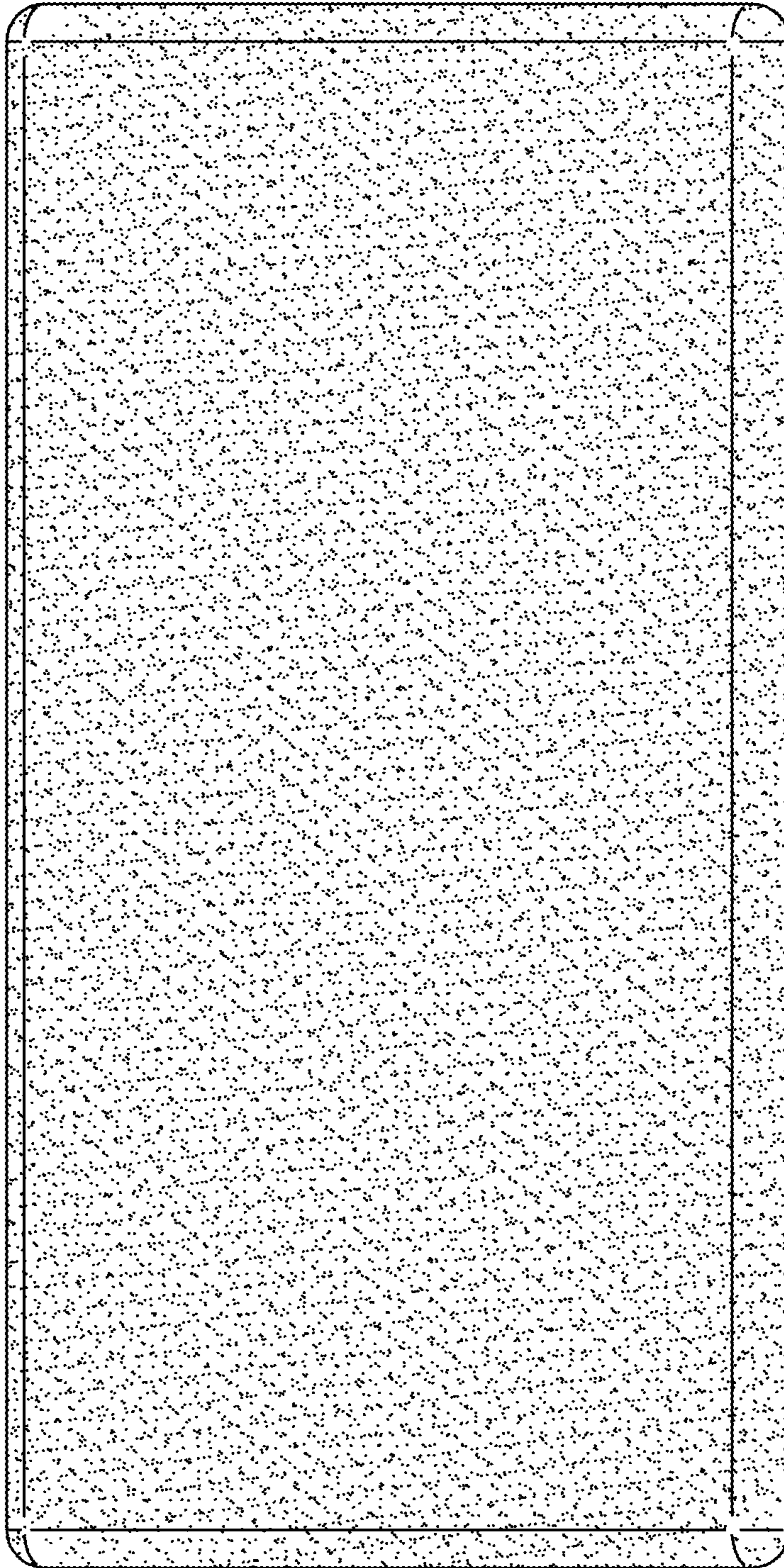


FIG. 12

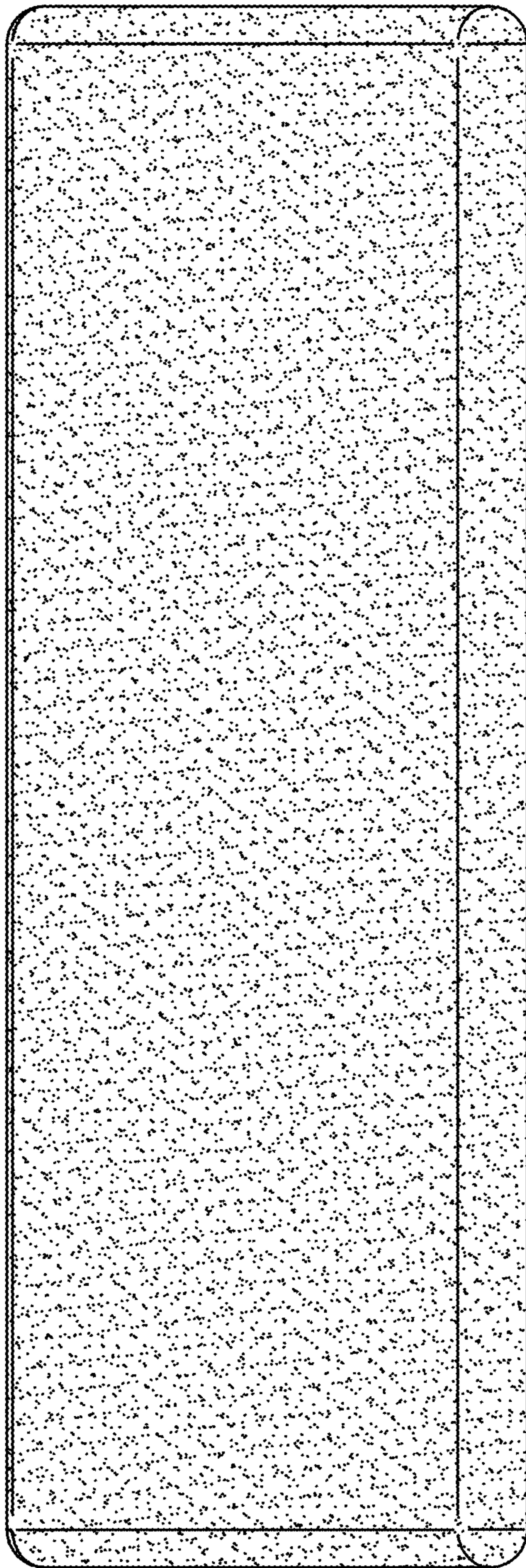


FIG. 13

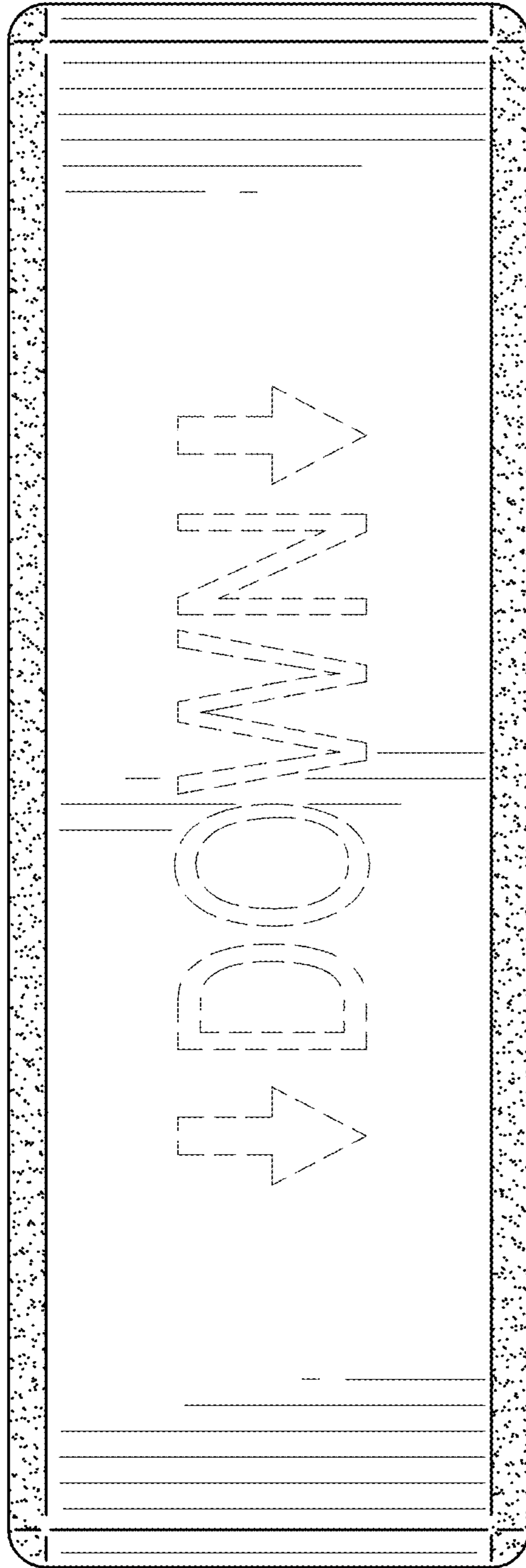


FIG. 14

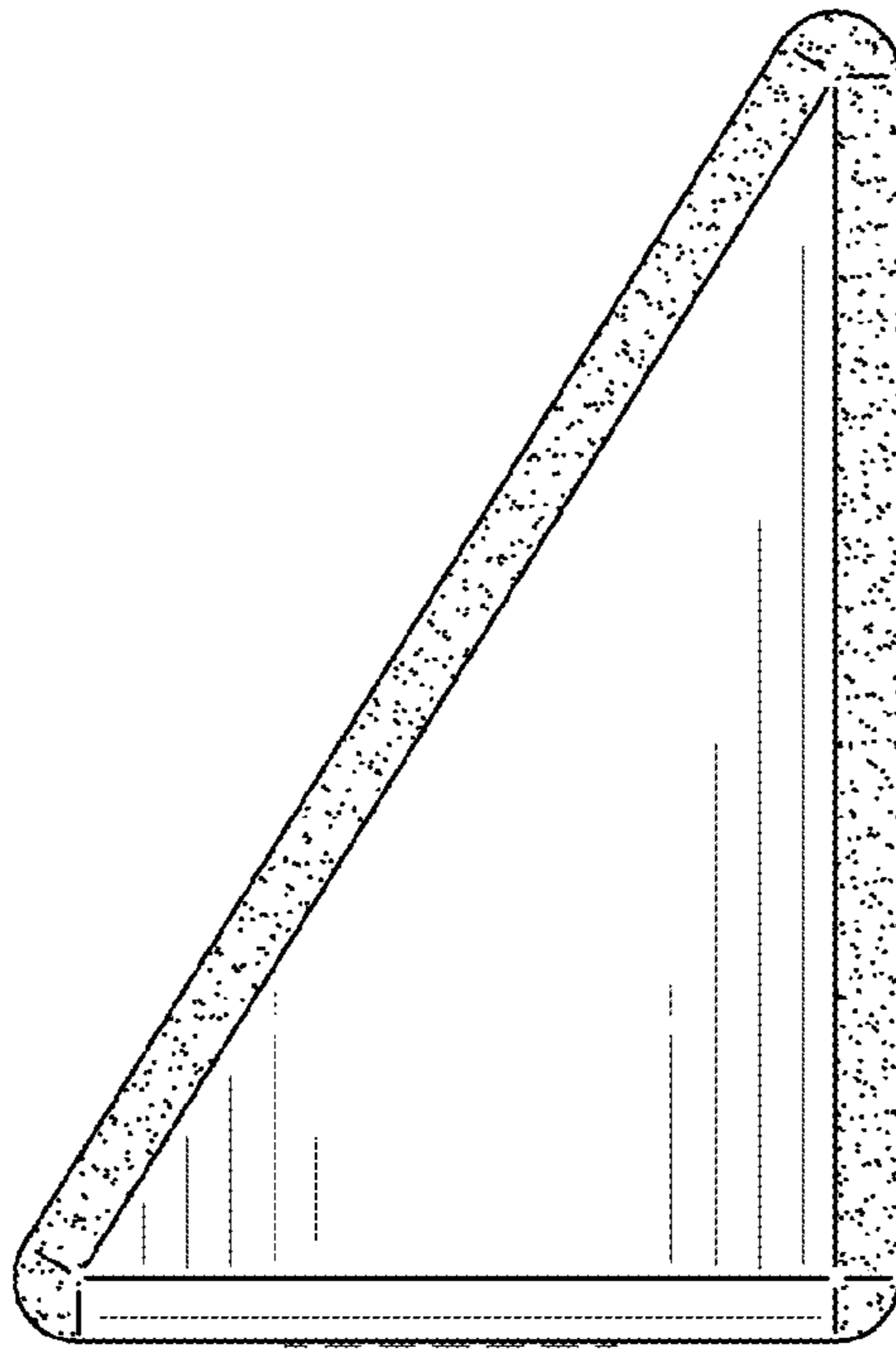


FIG. 15

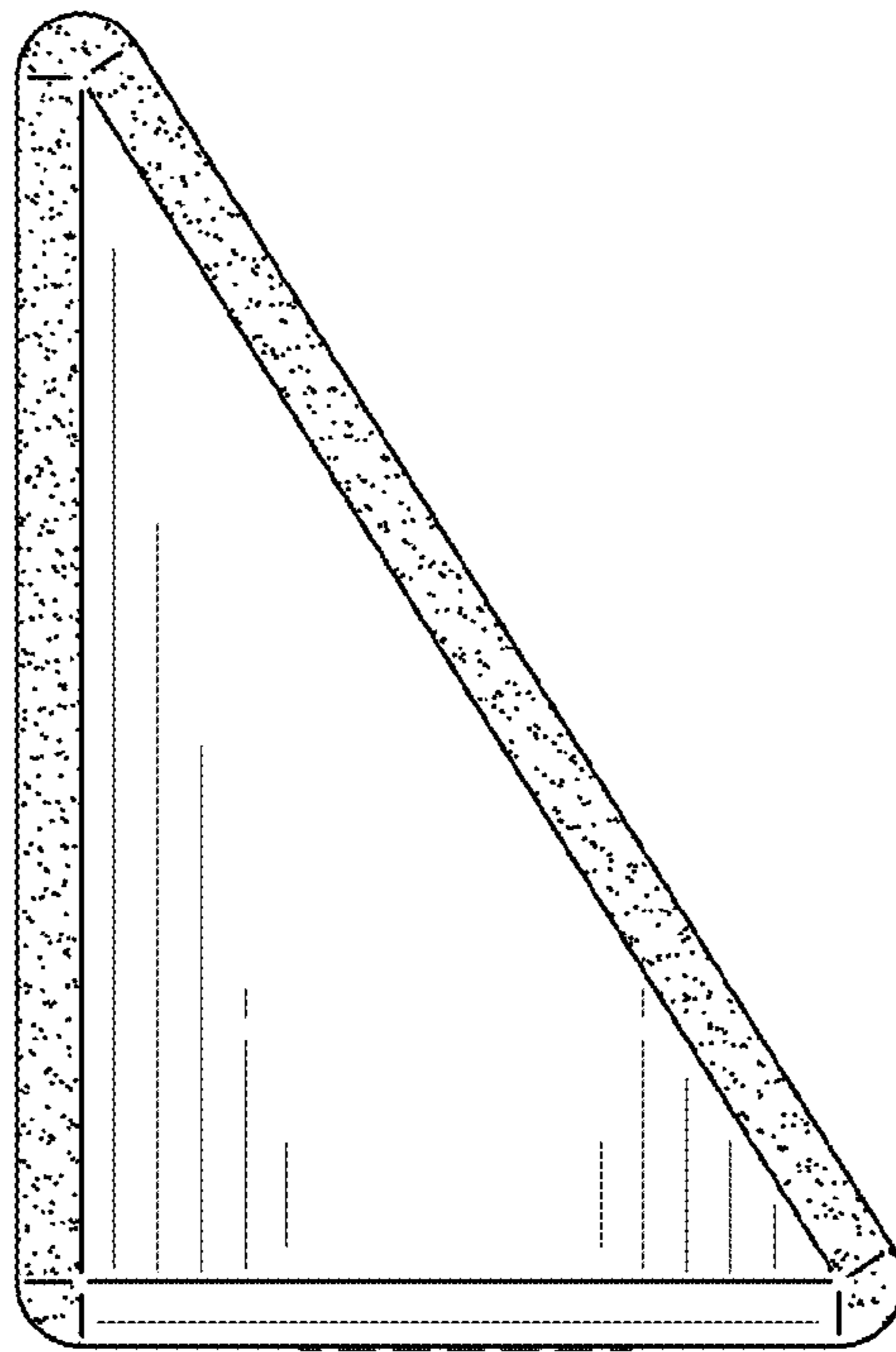


FIG. 16