



US00D907772S

(12) **United States Design Patent** (10) **Patent No.:** **US D907,772 S**
Williams et al. (45) **Date of Patent:** **** Jan. 12, 2021**

(54) **FIXATION DEVICE CARTRIDGE**
(71) Applicant: **WEST GEN TECHNOLOGIES, L.L.C.**, Plainview, TX (US)
(72) Inventors: **Donald A. Williams**, Plainview, TX (US); **George J. Sikora**, Bridgewater, MA (US)
(73) Assignee: **West Gen Technologies, L.L.C.**, Plainview, TX (US)
(**) Term: **15 Years**
(21) Appl. No.: **29/693,499**
(22) Filed: **Jun. 3, 2019**
(51) **LOC (13) Cl.** **24-03**
(52) **U.S. Cl.**
USPC **D24/155**
(58) **Field of Classification Search**
USPC D24/155
CPC B05B 7/16; A61B 17/04; B05C 17/005; B05C 17/01
See application file for complete search history.

(56) **References Cited**
U.S. PATENT DOCUMENTS
5,147,367 A 9/1992 Ellis
5,380,334 A 1/1995 Torrie et al.
5,387,213 A 2/1995 Breard et al.
5,522,843 A 6/1996 Zang
5,725,581 A 3/1998 Branemark
5,904,704 A 5/1999 Goble et al.
6,139,565 A 10/2000 Stone et al.
D439,976 S * 4/2001 Cote D24/133
6,267,766 B1 7/2001 Burkhart
6,290,101 B1 * 9/2001 Chang B05C 17/00553
222/137
6,635,073 B2 10/2003 Bonutti
7,699,881 B2 4/2010 Willmann
D693,470 S * 11/2013 Fagan D24/171

D722,698 S * 2/2015 Frankel D24/171
D737,443 S * 8/2015 Ciravolo D24/147
9,877,715 B2 * 1/2018 Sakai A61B 17/0469
2002/0161401 A1 10/2002 Steiner
2003/0088251 A1 5/2003 Braun et al.
2003/0204193 A1 10/2003 Gabriel et al.
2004/0153074 A1 8/2004 Bojarski et al.
2004/0267278 A1 12/2004 Overaker
2005/0107828 A1 5/2005 Reese
2005/0267478 A1 12/2005 Corradi et al.
2006/0142784 A1 6/2006 Kontos
2007/0100350 A1 5/2007 Deffenbaugh et al.
2007/0198017 A1 8/2007 Tschakaloff et al.
2008/0009904 A1 1/2008 Bourque et al.
2008/0065120 A1 3/2008 Zannis et al.
2008/0109038 A1 5/2008 Steiner et al.
(Continued)

OTHER PUBLICATIONS

International Searching Authority, International Search Report and Written Opinion for related application (PCT/US2019/035189), dated Aug. 19, 2019; 9 pages.

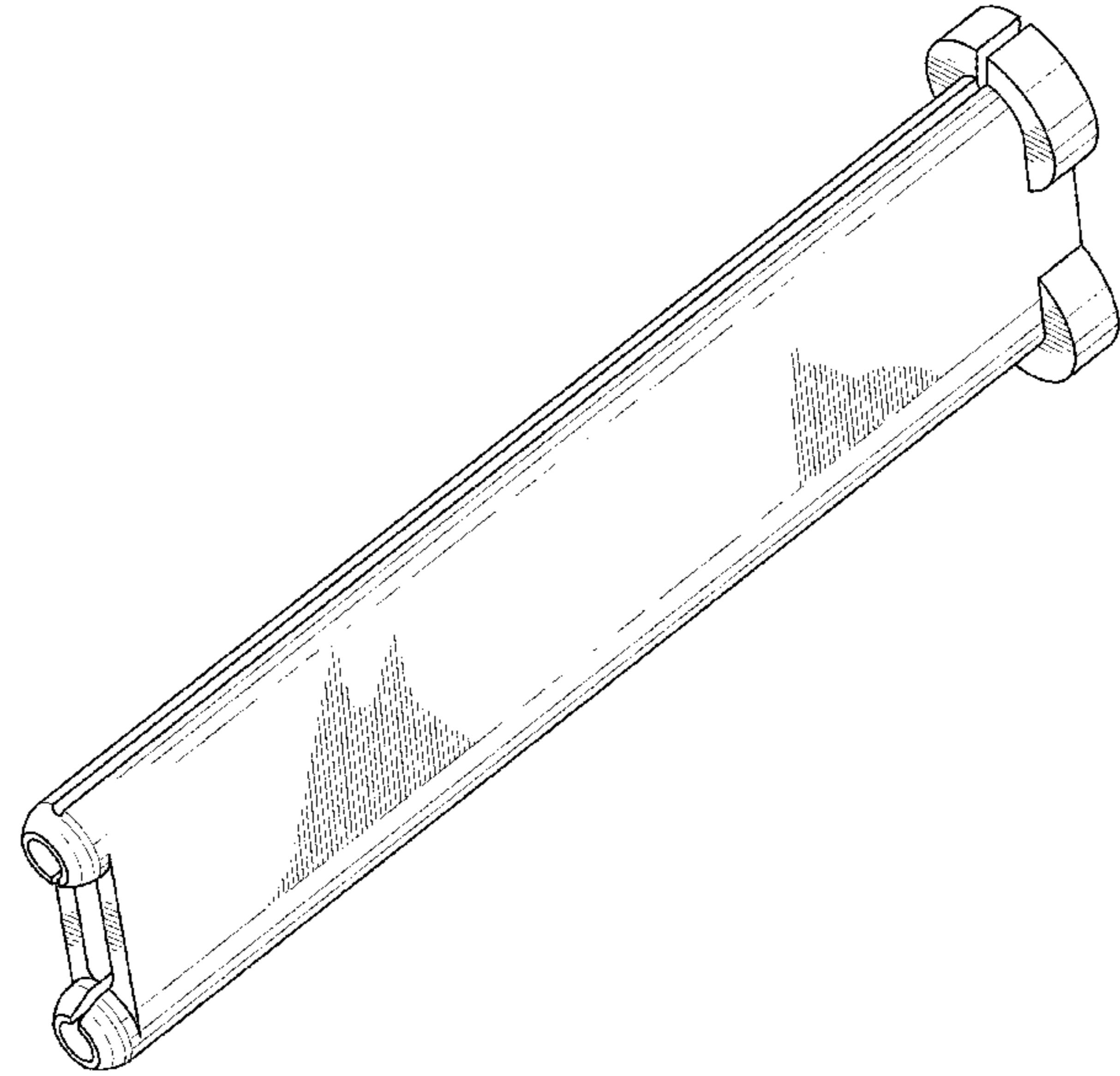
Primary Examiner — Charles D Hanson
(74) *Attorney, Agent, or Firm* — Dickinson Wright PLLC; Mark E. Scott; K. Lance Anderson

(57) **CLAIM**
The ornamental design for a fixation device cartridge, as shown.

DESCRIPTION

FIG. 1 is a perspective view of a fixation device cartridge showing the new design;
FIG. 2 is a first side view thereof;
FIG. 3 is a second side view thereof;
FIG. 4 is a top view thereof;
FIG. 5 is a bottom view thereof;
FIG. 6 is a front view thereof; and,
FIG. 7 is a back view thereof.

1 Claim, 4 Drawing Sheets



(56)

References Cited

U.S. PATENT DOCUMENTS

2008/0167660 A1 7/2008 Moreau et al.
2009/0125071 A1 5/2009 Skinlo et al.
2010/0004683 A1 1/2010 Hoof et al.
2010/0063541 A1 3/2010 Brunelle et al.
2011/0295279 A1 12/2011 Stone et al.
2012/0109156 A1 5/2012 Overes et al.
2013/0079813 A1 3/2013 Li et al.
2013/0190570 A1 7/2013 Hirsch et al.
2014/0081281 A1 3/2014 Felder
2014/0364862 A1 12/2014 Bennett et al.
2016/0278760 A1 9/2016 McDevitt
2017/0120270 A1* 5/2017 Warren B05C 17/00523

* cited by examiner

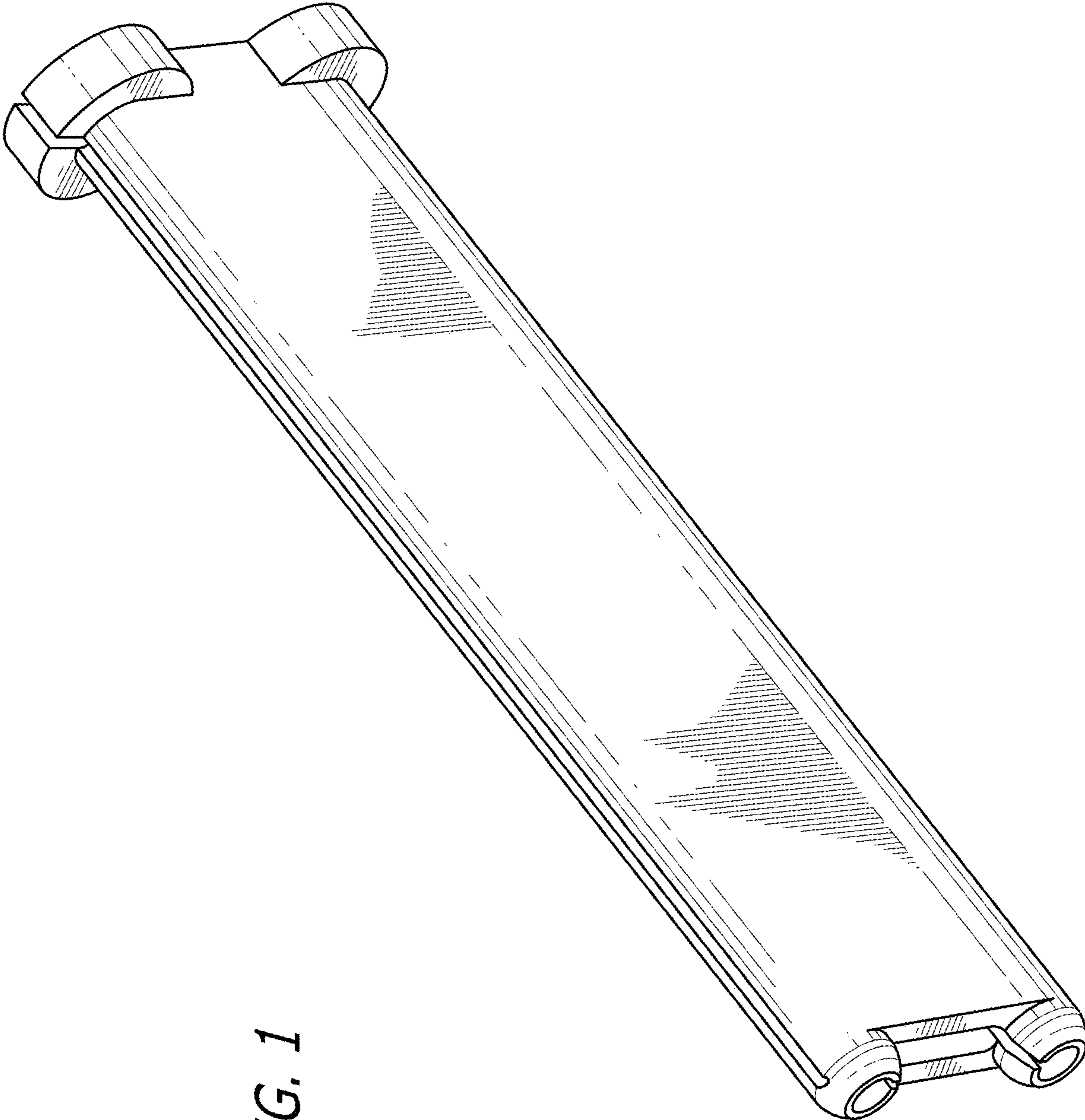


FIG. 1

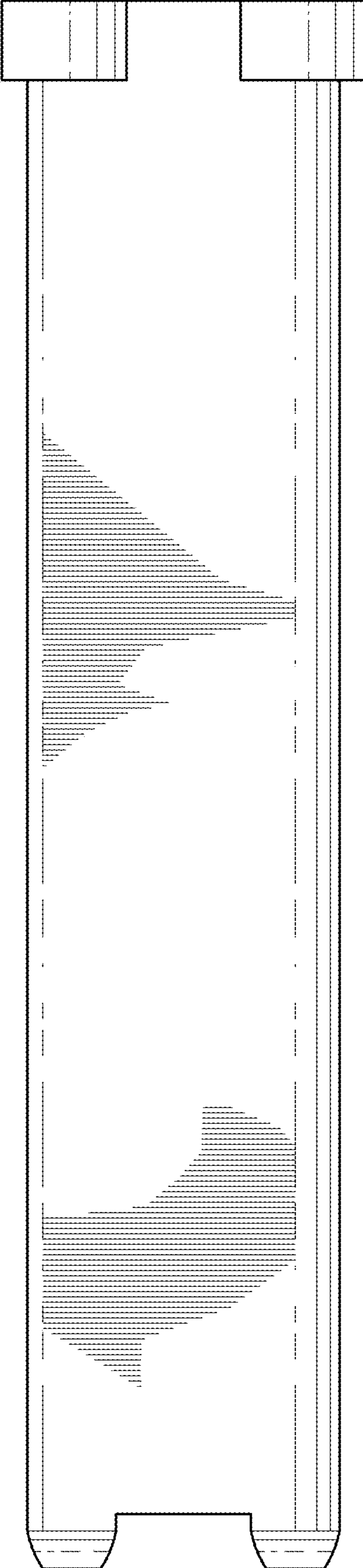


FIG. 2

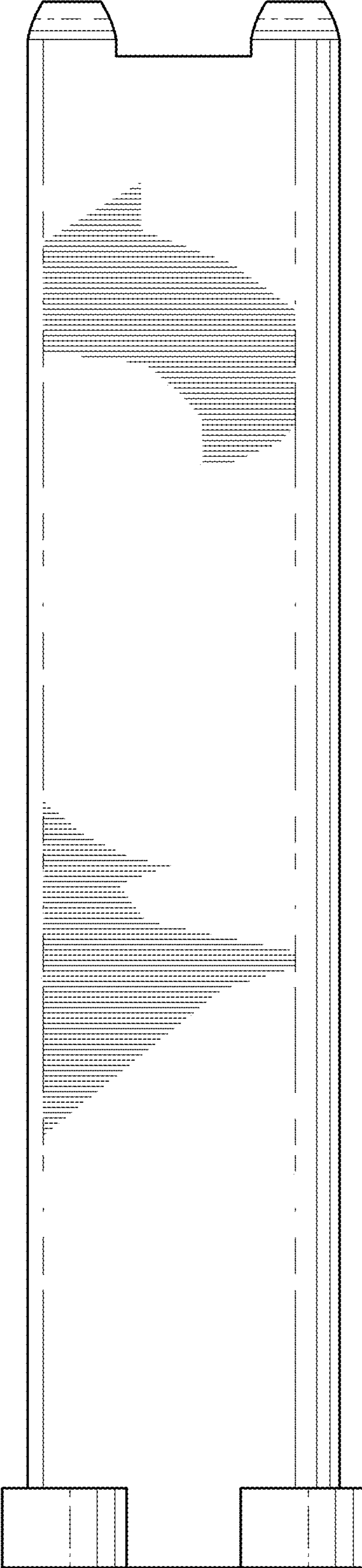


FIG. 3

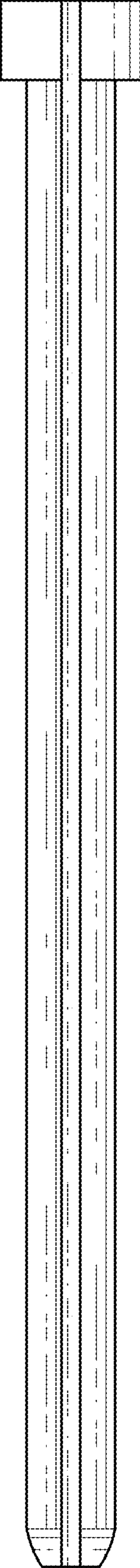


FIG. 4

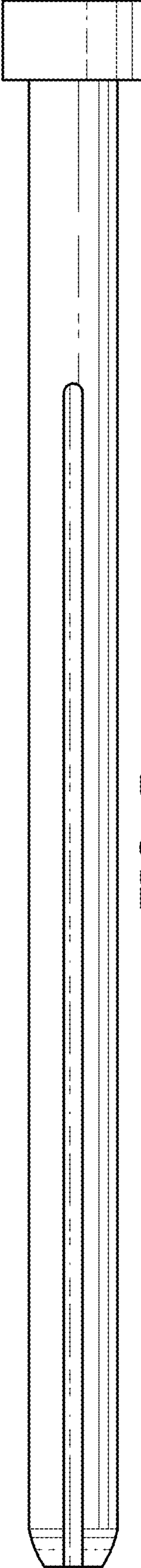


FIG. 5

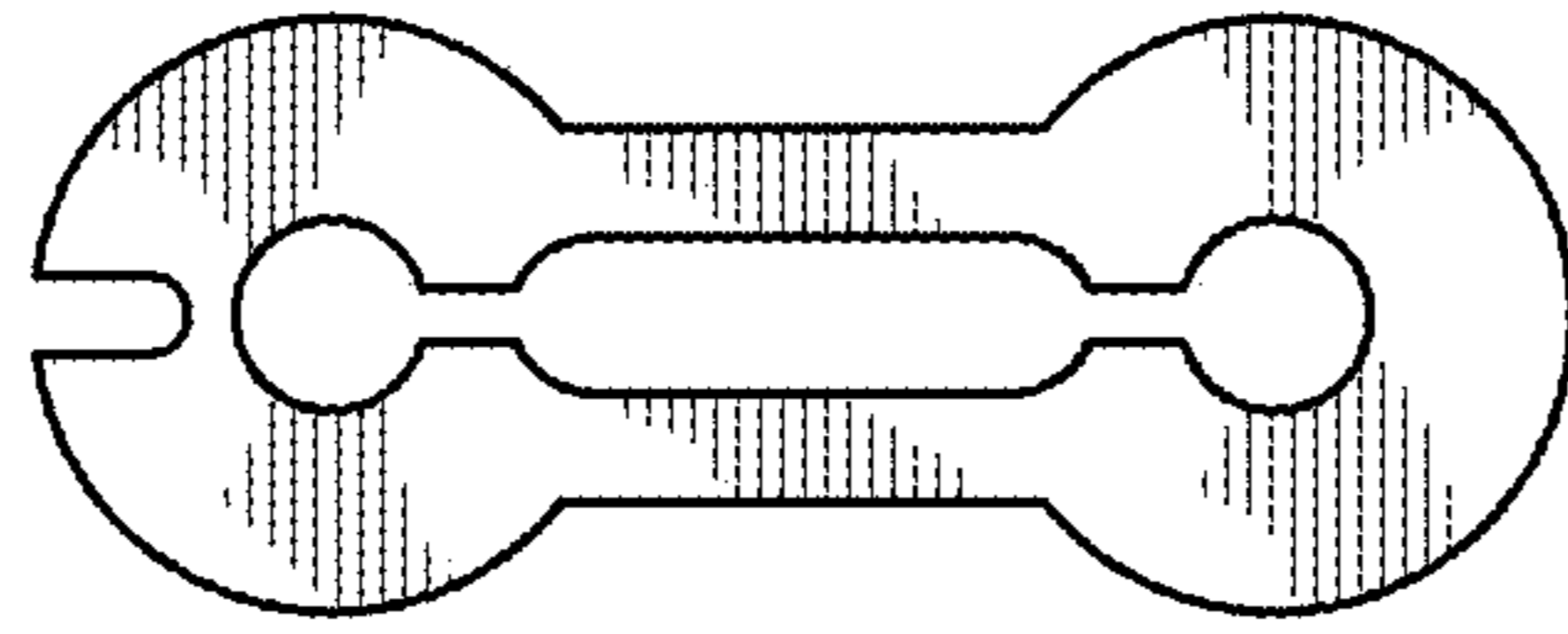


FIG. 7

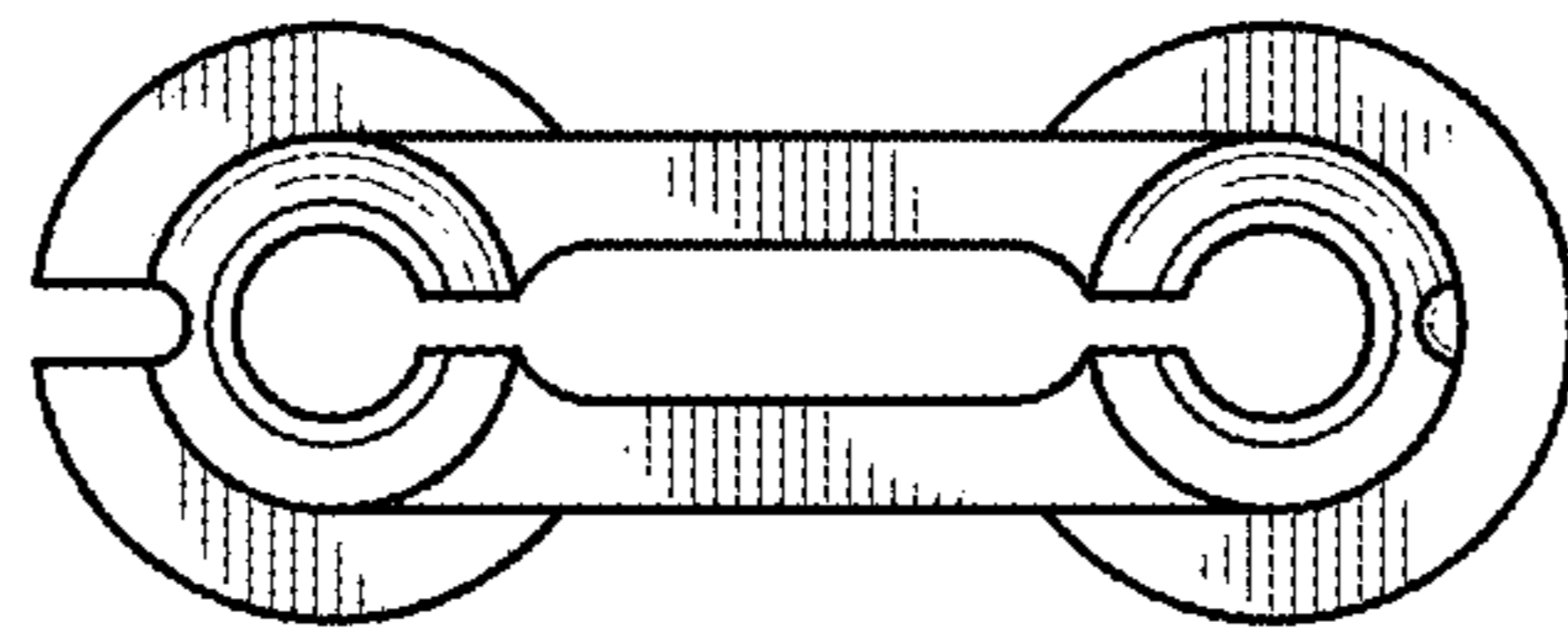


FIG. 6