



US00D907769S

(12) **United States Design Patent**  
**Khalaj**

(10) **Patent No.:** **US D907,769 S**

(45) **Date of Patent:** **\*\* Jan. 12, 2021**

(54) **SYRINGE LUER LOCK WITH STABILIZER**

(71) Applicant: **Ben M. Khalaj**, Lake Forest, CA (US)

(72) Inventor: **Ben M. Khalaj**, Lake Forest, CA (US)

(\*\*) Term: **15 Years**

(21) Appl. No.: **29/682,099**

(22) Filed: **Mar. 1, 2019**

(51) **LOC (13) Cl.** ..... **24-02**

(52) **U.S. Cl.**  
USPC ..... **D24/130**

(58) **Field of Classification Search**  
USPC ..... D24/127-131, 112-114, 133, 186;  
606/181, 185; 604/264, 272, 115, 232,  
604/187, 158, 164.08, 192, 263, 163, 181,  
604/184, 198, 227, 533; 600/101, 139,  
600/143; 128/200.24, 207.14, 207.15;  
285/331-332.1  
CPC ..... A61M 5/347; A61M 5/3137; A61M  
2005/3143; A61M 5/34; A61M 5/31;  
A61K 31/05  
See application file for complete search history.

(56) **References Cited**

**U.S. PATENT DOCUMENTS**

D482,795 S \* 11/2003 Whitley ..... D24/121  
6,722,705 B2 \* 4/2004 Korkor ..... A61M 39/1011  
285/148.6  
7,666,170 B2 \* 2/2010 Guala ..... A61M 39/10  
604/249  
D694,405 S \* 11/2013 Khalaj ..... D24/130  
8,777,931 B2 \* 7/2014 Davis ..... A61M 39/1011  
604/533

D762,851 S \* 8/2016 Tegg ..... D24/130  
D851,759 S \* 6/2019 Jones ..... D24/129  
D859,650 S \* 9/2019 Steele ..... D24/129  
D864,381 S \* 10/2019 Miles ..... D24/112  
D865,954 S \* 11/2019 Mottola ..... D24/129  
D872,265 S \* 1/2020 Thome ..... D24/155  
D882,076 S \* 4/2020 Gavalis ..... D24/129  
2007/0016166 A1 \* 1/2007 Thistle ..... F16L 33/222  
604/533

**OTHER PUBLICATIONS**

healeonmedical website, Itm all-in-one adipose kit, Jun. 20, 2020,  
<https://www.healeonmedical.com/all-in-one-adipose-kit> (Year: 2020).\*

\* cited by examiner

*Primary Examiner* — Nathan M Johnston

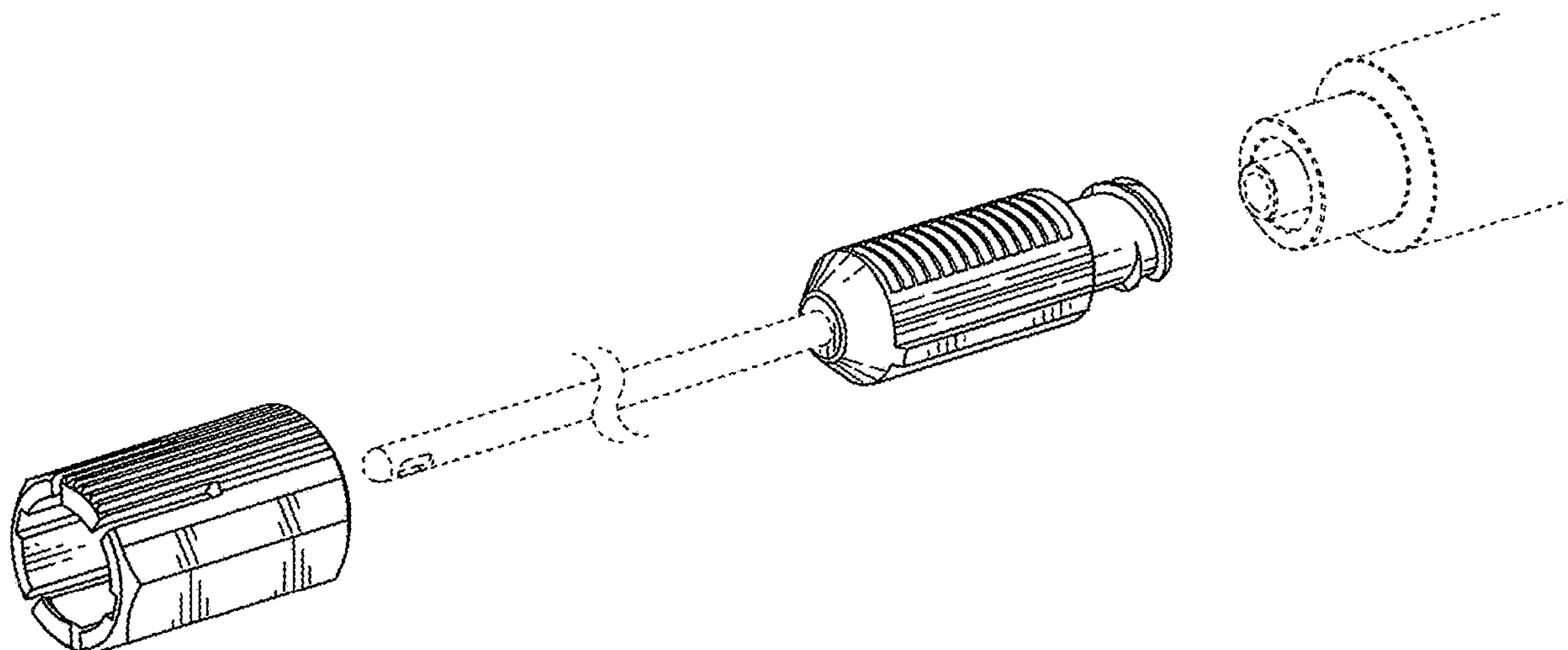
(57) **CLAIM**

The ornamental design for a syringe luer lock with stabilizer,  
as shown & described.

**DESCRIPTION**

FIG. 1 is a perspective exploded view of a syringe luer lock  
with stabilizer showing my new design;  
FIG. 2 is a left side elevation view thereof;  
FIG. 3 is a top elevation view thereof;  
FIG. 4 is a right side elevation view thereof;  
FIG. 5 is bottom elevation view thereof;  
FIG. 6 is a front elevation view thereof  
FIG. 7 is a rear elevation view thereof;  
FIG. 8 is a top elevation view of a syringe luer lock with  
stabilizer in a assembled configuration; and,  
FIG. 9 is a left side elevation view thereof.  
The features shown in broken lines depict environmental  
subject matter only and form no part of the claimed design.

**1 Claim, 4 Drawing Sheets**



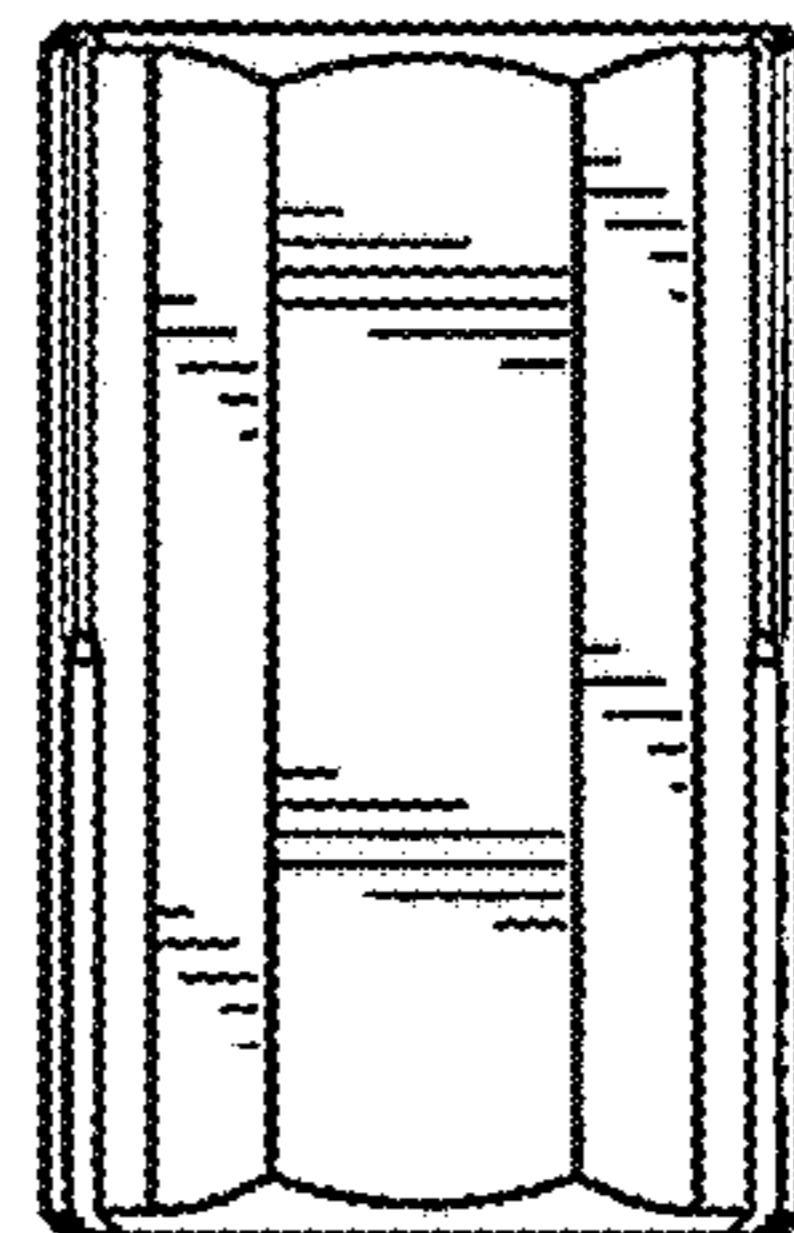
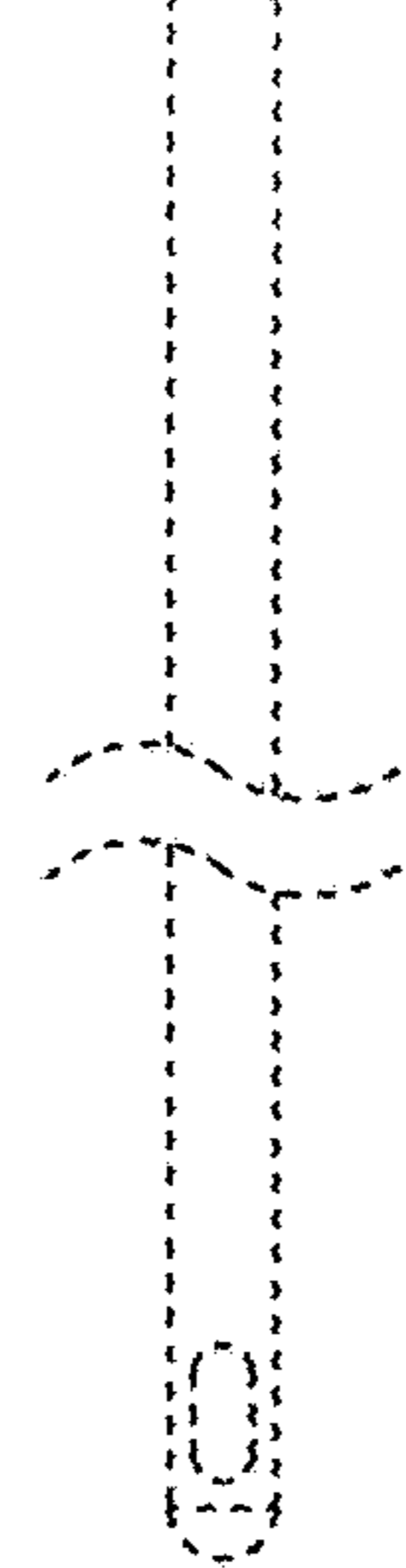
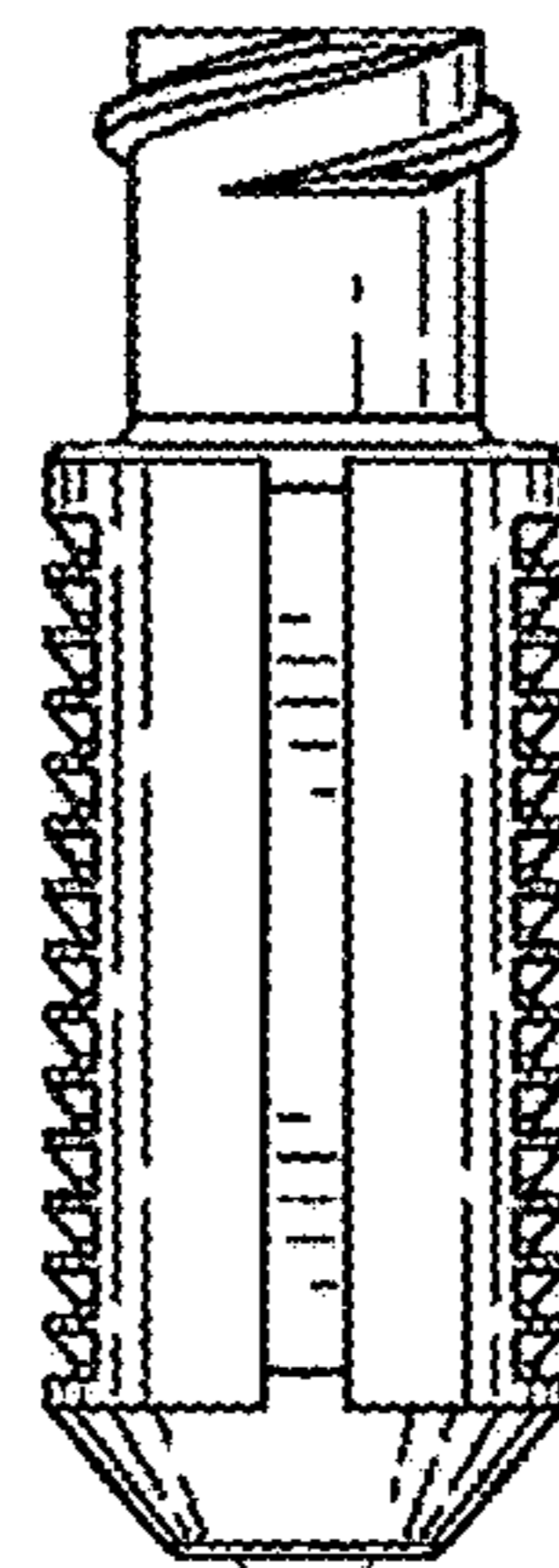
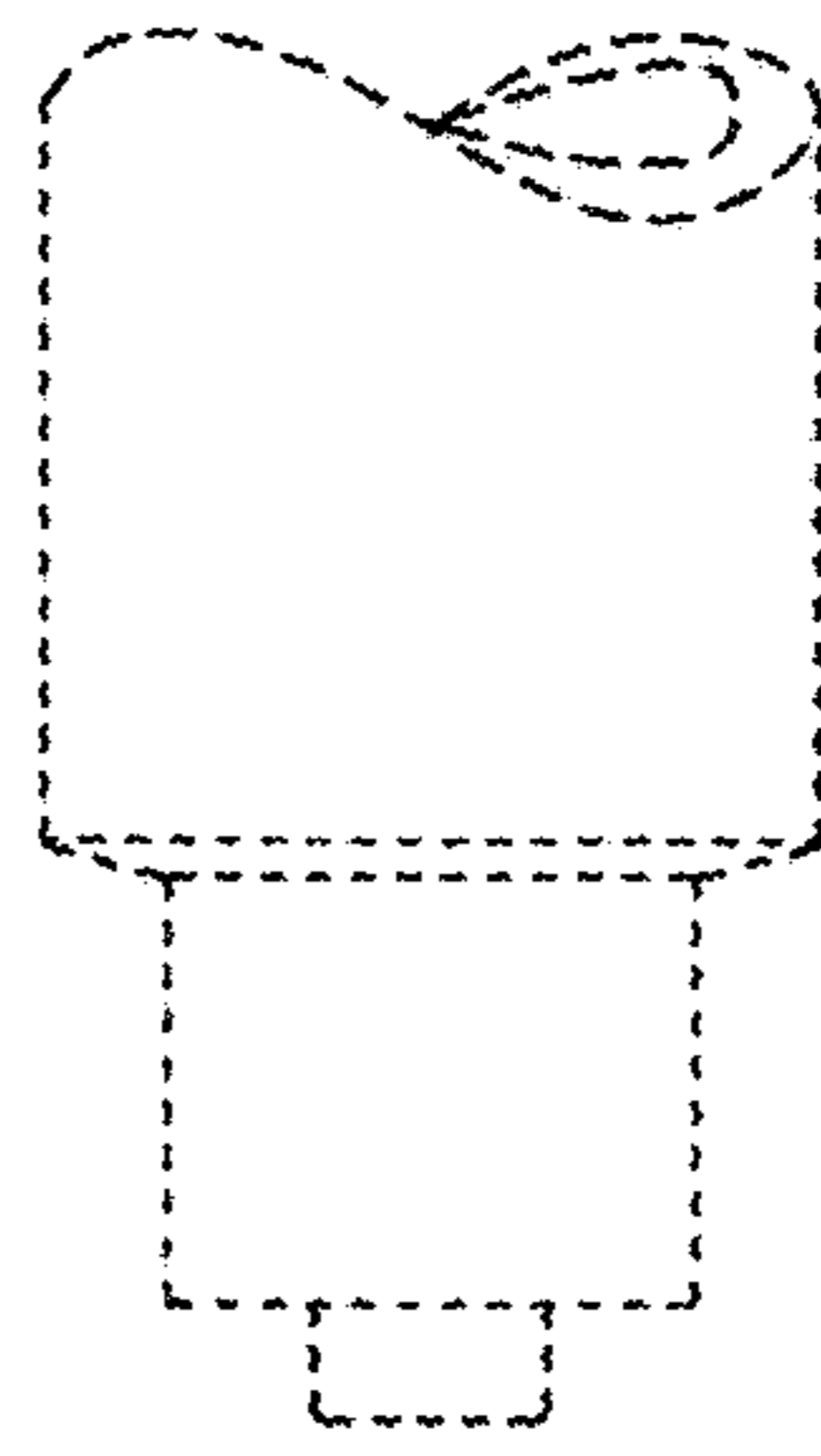
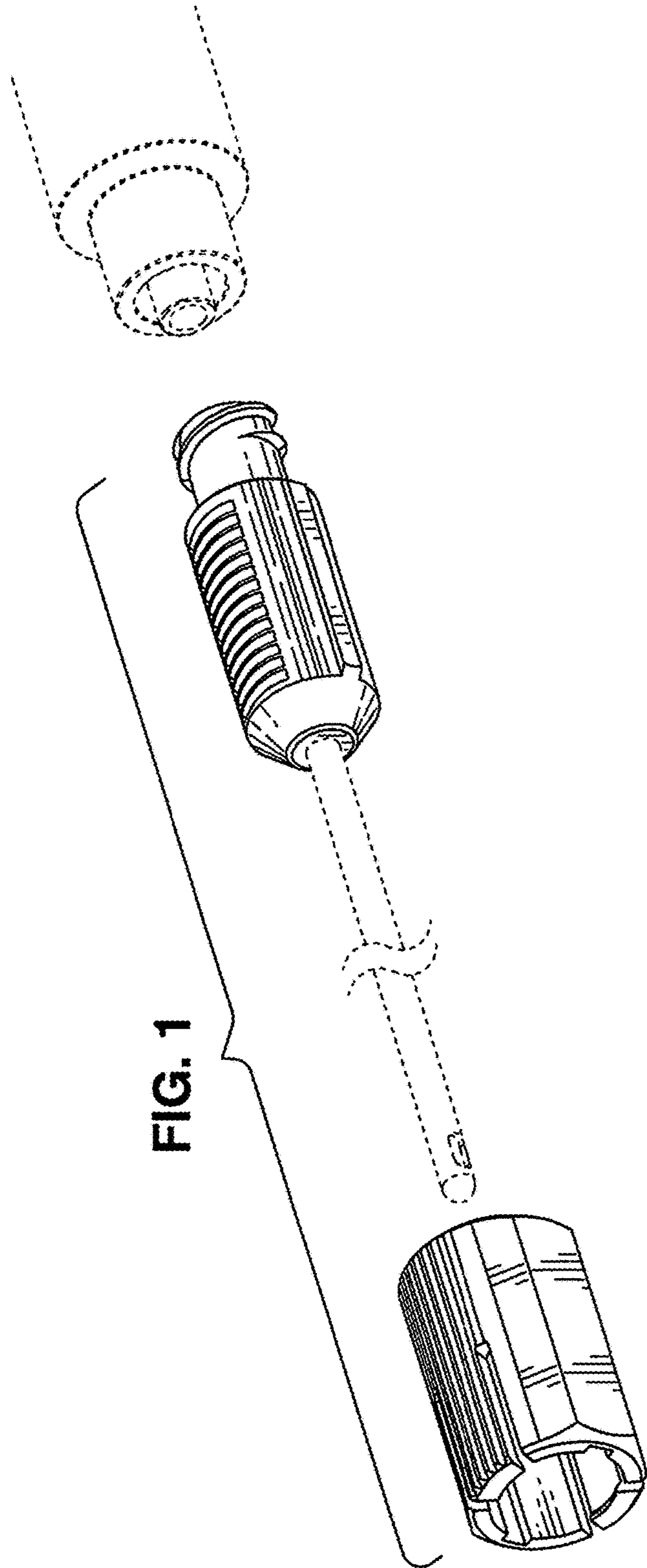


FIG. 2

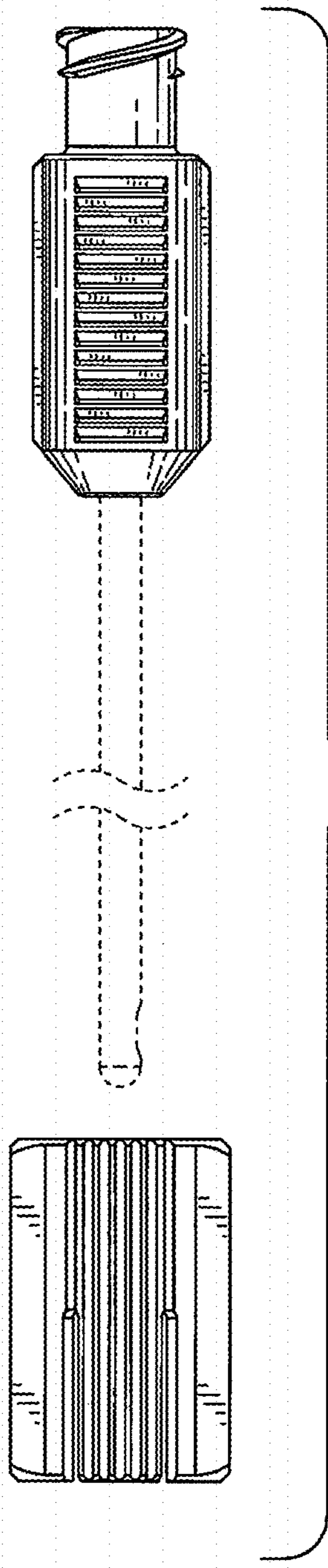


FIG. 3

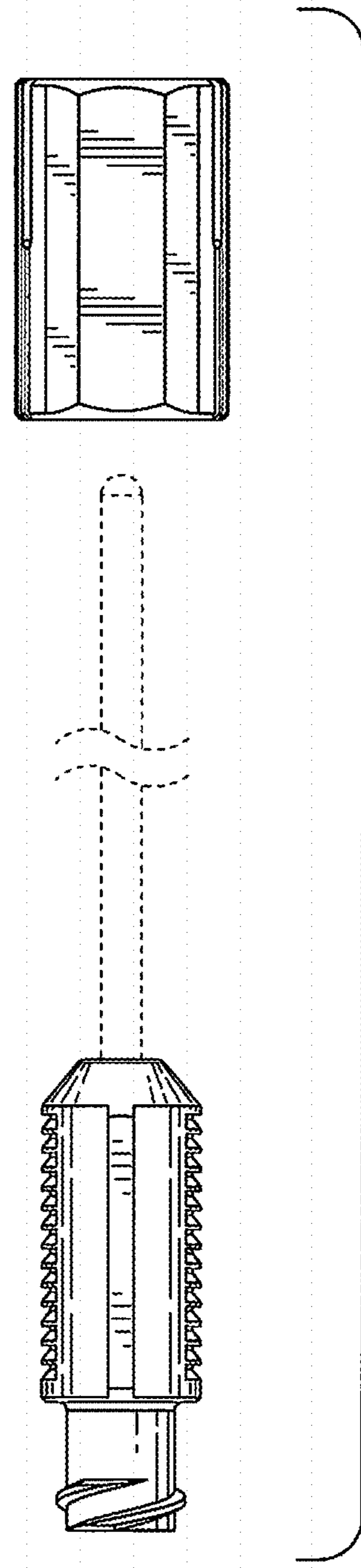


FIG. 4

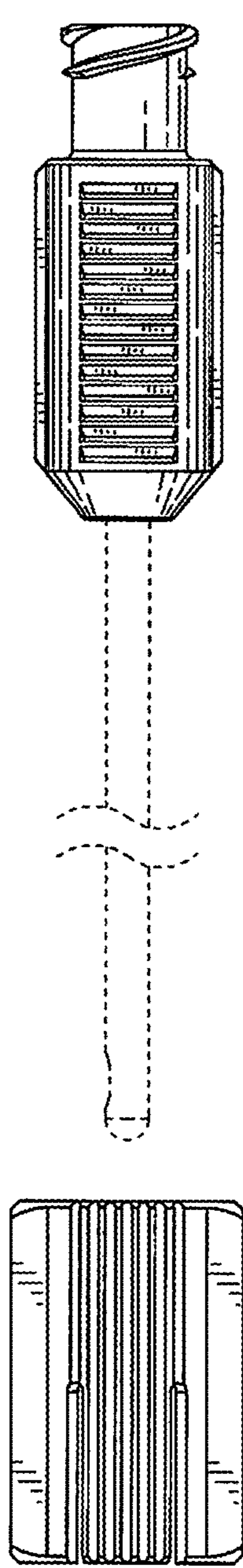


FIG. 5

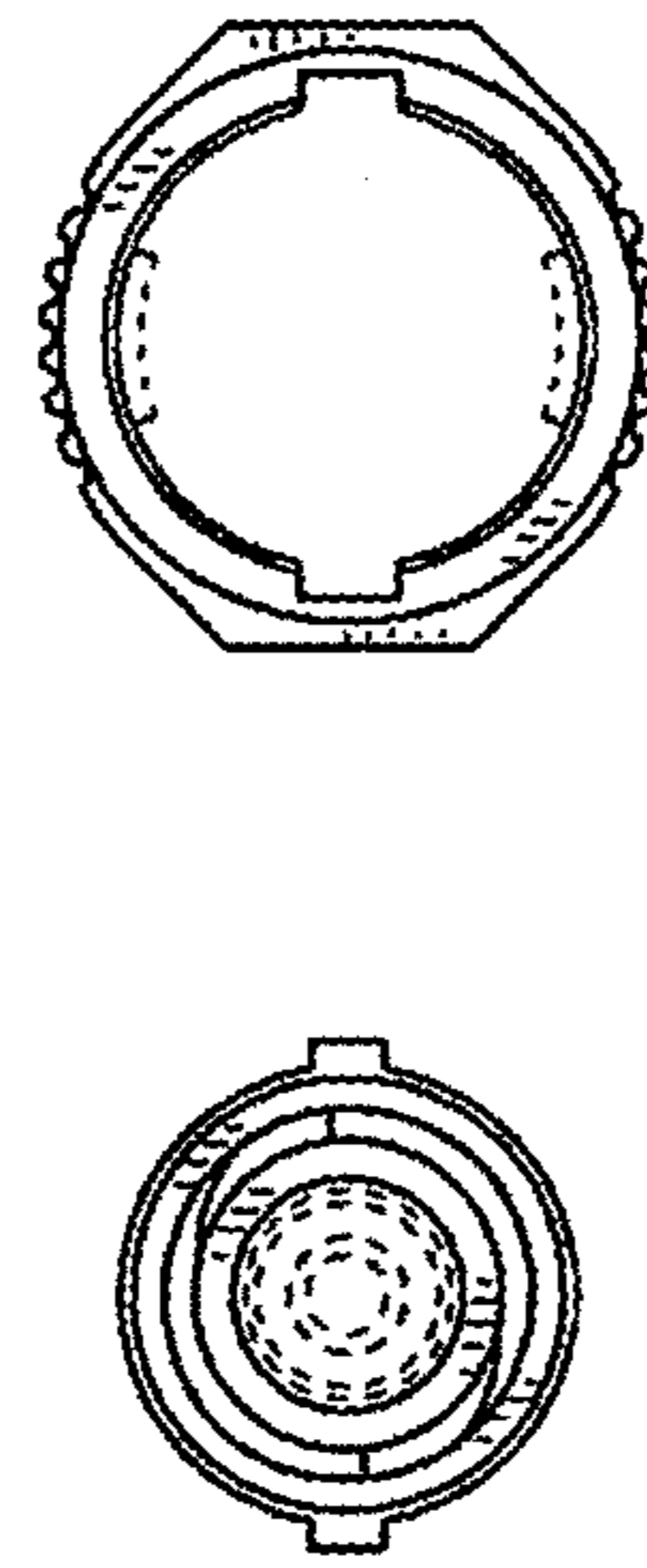


FIG. 6

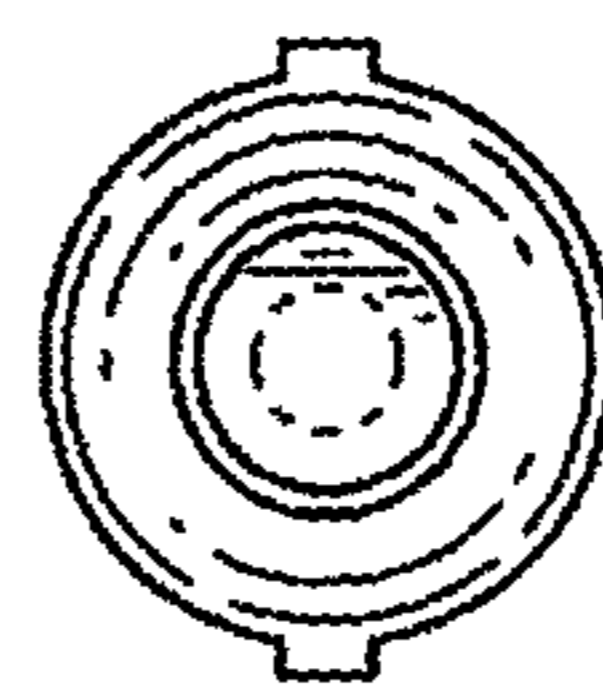


FIG. 7

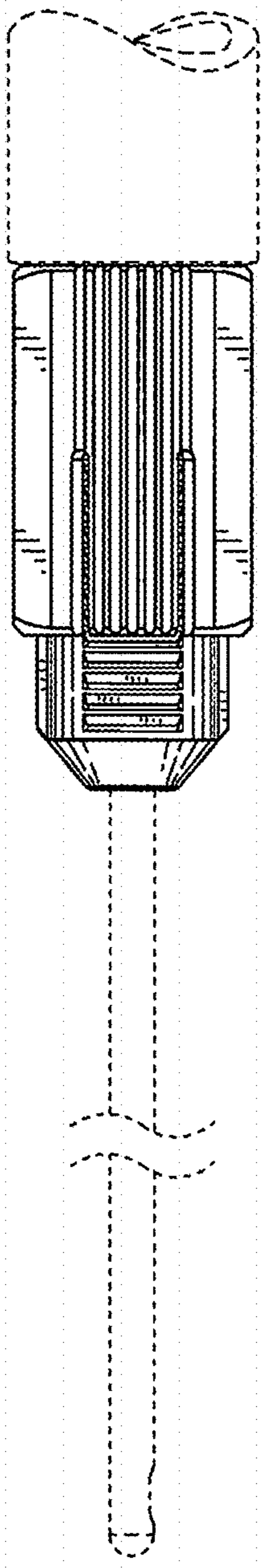


FIG. 8

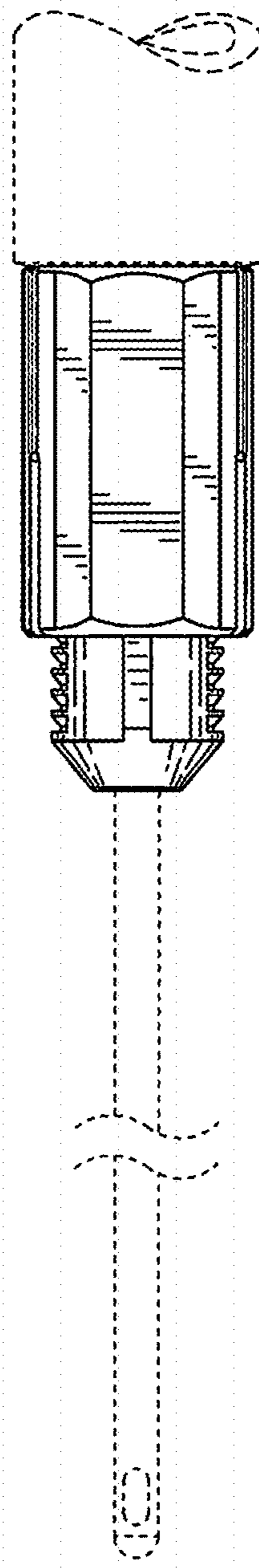


FIG. 9