



US00D907768S

(12) **United States Design Patent** (10) **Patent No.:** **US D907,768 S**
Chehab et al. (45) **Date of Patent:** **** Jan. 12, 2021**

(54) **CATHETER SECURING DEVICE**
(71) Applicant: **Novonate, Inc.**, South San Francisco, CA (US)
(72) Inventors: **Eric Fayez Chehab**, San Francisco, CA (US); **Eric Johnson**, Woodside, CA (US); **Eric Anthony Kramer**, Los Altos Hills, CA (US); **Marlo Dreissigacker Kohn**, Redwood City, CA (US); **James Kennedy Wall**, Woodside, CA (US); **Ross Daniel Venook**, Millbrae, CA (US); **Shivani Alexandra Torres**, San Francisco, CA (US)

4,915,694 A 4/1990 Yamamoto et al.
5,006,830 A 4/1991 Merritt
5,370,627 A 12/1994 Conway
6,866,652 B2 3/2005 Bierman
7,347,842 B2* 3/2008 Thorne A61B 5/150503
604/263
D613,858 S * 4/2010 Bierman D24/130
8,052,648 B2* 11/2011 Dikeman A61M 25/02
604/174

(Continued)

FOREIGN PATENT DOCUMENTS

CN 101822552 9/2010
CN 203389010 1/2014

(Continued)

(73) Assignee: **Novonate, Inc.**, South San Francisco, CA (US)

(**) Term: **15 Years**

(21) Appl. No.: **29/695,838**

(22) Filed: **Jun. 21, 2019**

(51) **LOC (13) Cl.** **24-02**

(52) **U.S. Cl.**
USPC **D24/128**

(58) **Field of Classification Search**
USPC D24/127-131, 112-114, 133, 186;
606/181, 185; 604/264, 523-528, 272,
604/187, 158, 164.01-164.11, 181, 184,
604/227; 600/101, 139, 143;
128/200.24, 207.14, 207.15
CPC A61M 25/02; A61M 2025/0206; A61M
2025/024; A61M 2025/0266; A61M
2025/028; A61M 2025/0246; Y10S
128/26

See application file for complete search history.

(56) **References Cited**

U.S. PATENT DOCUMENTS

2,652,827 A 9/1953 Smith
3,674,032 A 7/1972 Minganti

OTHER PUBLICATIONS

Novonate website, LifeBubble, Jun. 10, 2020, <https://www.novonate.com/lifebubble> (Year: 2020).*

Primary Examiner — Nathan M Johnston
(74) *Attorney, Agent, or Firm* — Knobbe Martens Olson & Bear, LLP

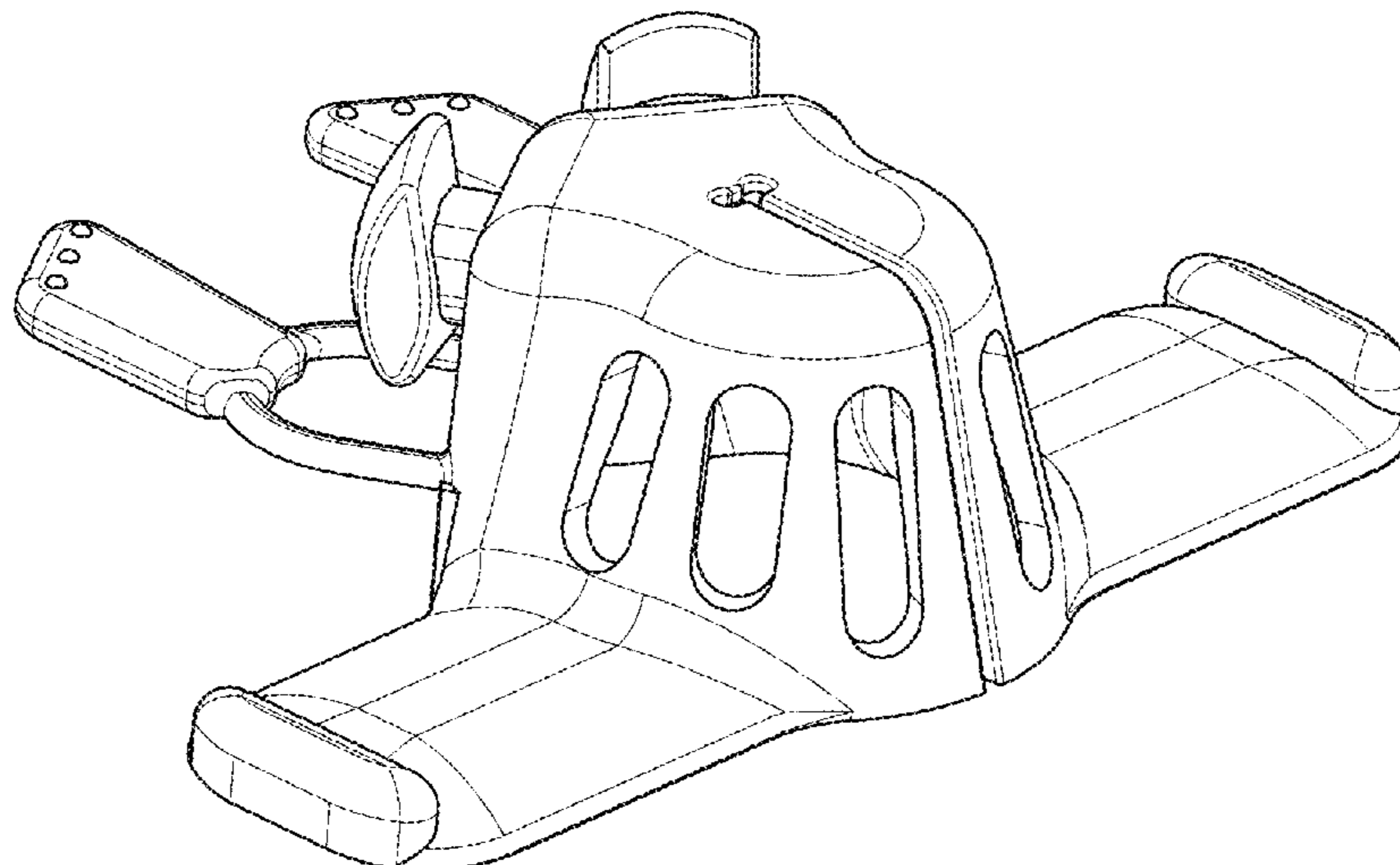
(57) **CLAIM**

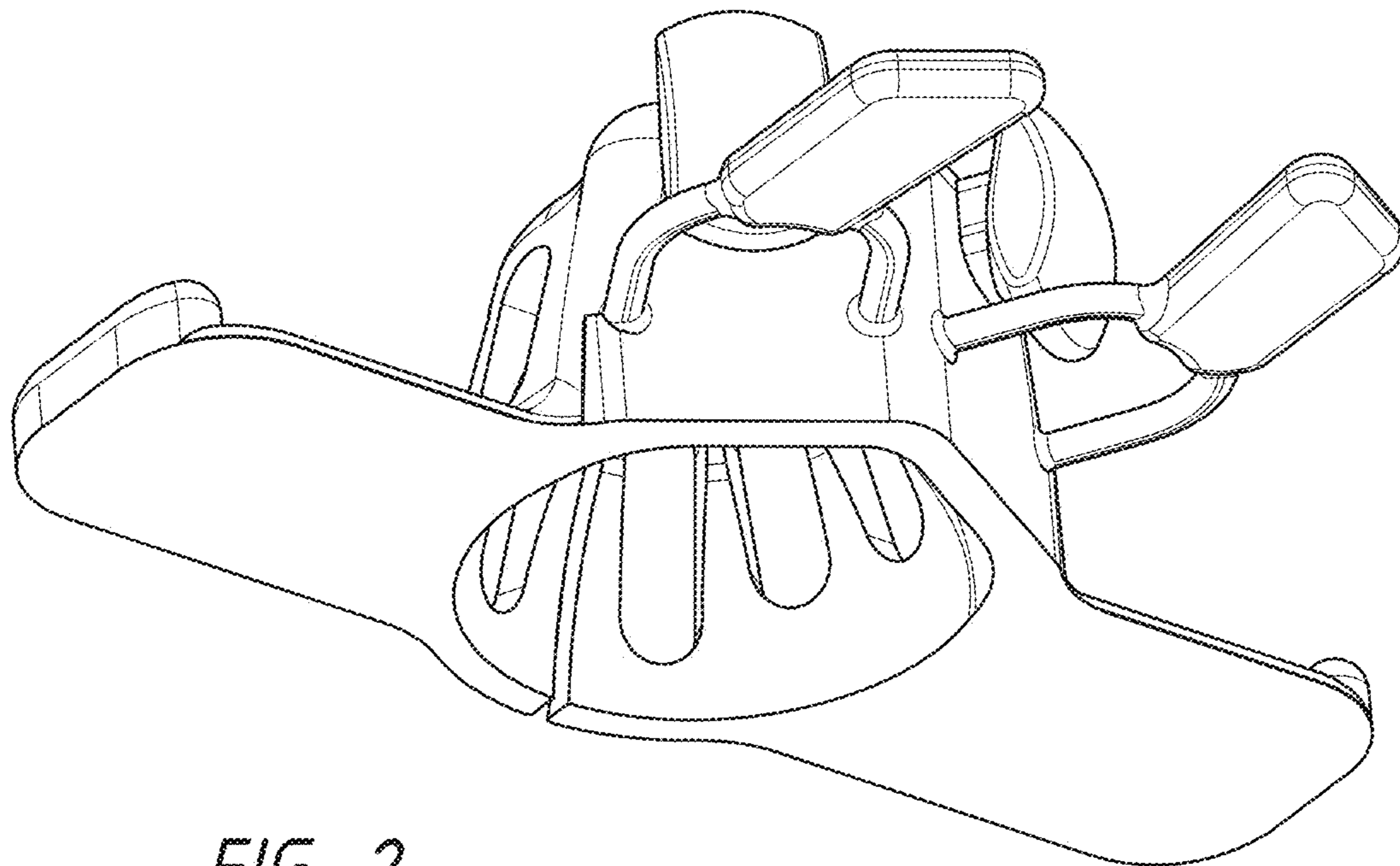
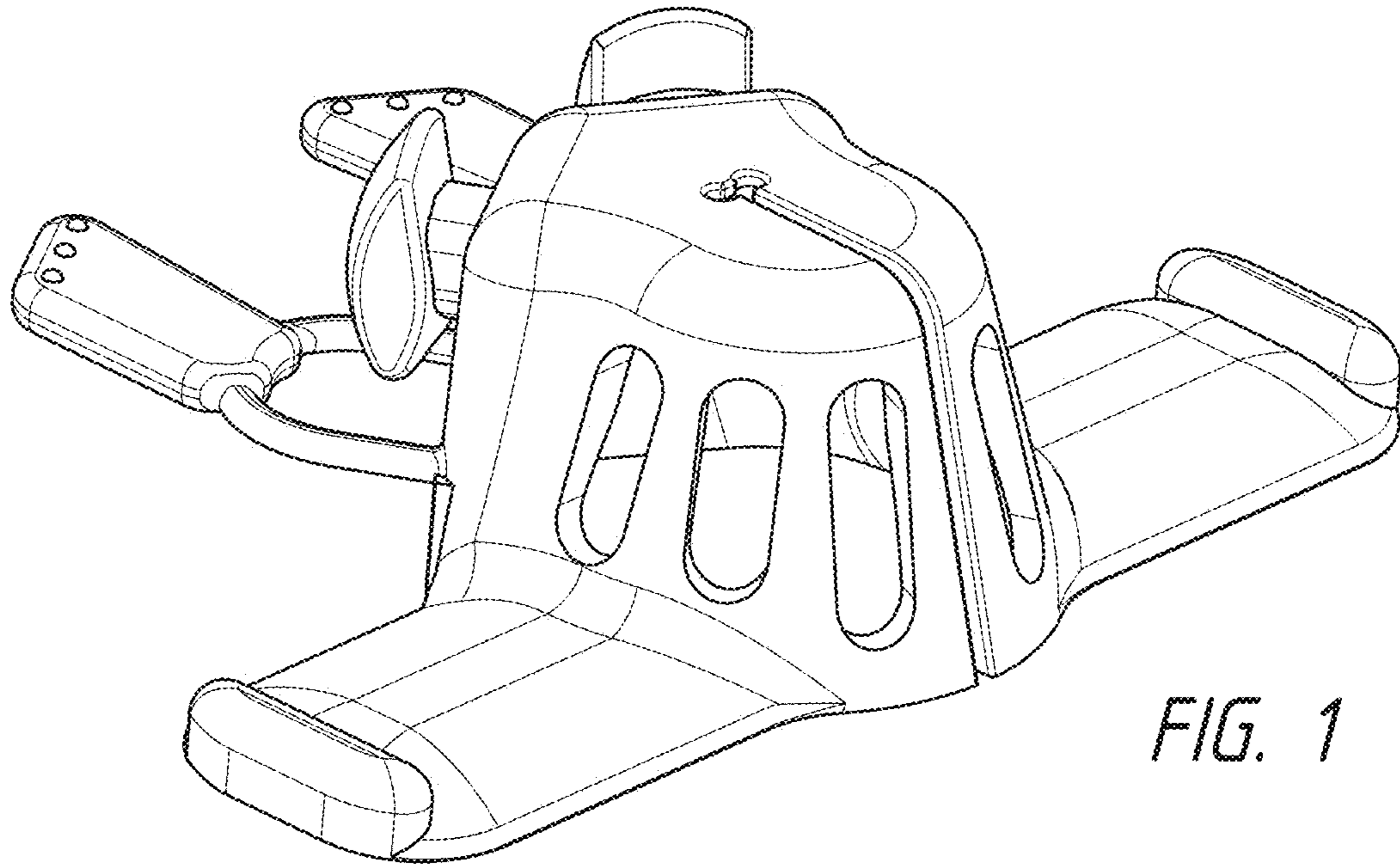
The ornamental design for a catheter securing system, as shown and described.

DESCRIPTION

FIG. 1 is a front, left, and top perspective view of a catheter securing device.
FIG. 2 is a back, right, and bottom perspective view thereof.
FIG. 3 is a front elevation view thereof.
FIG. 4 is a rear elevation view thereof.
FIG. 5 is a top plan view thereof.
FIG. 6 is a bottom plan view thereof.
FIG. 7 is a right elevation view thereof; and,
FIG. 8 is a left elevation view thereof.

1 Claim, 4 Drawing Sheets





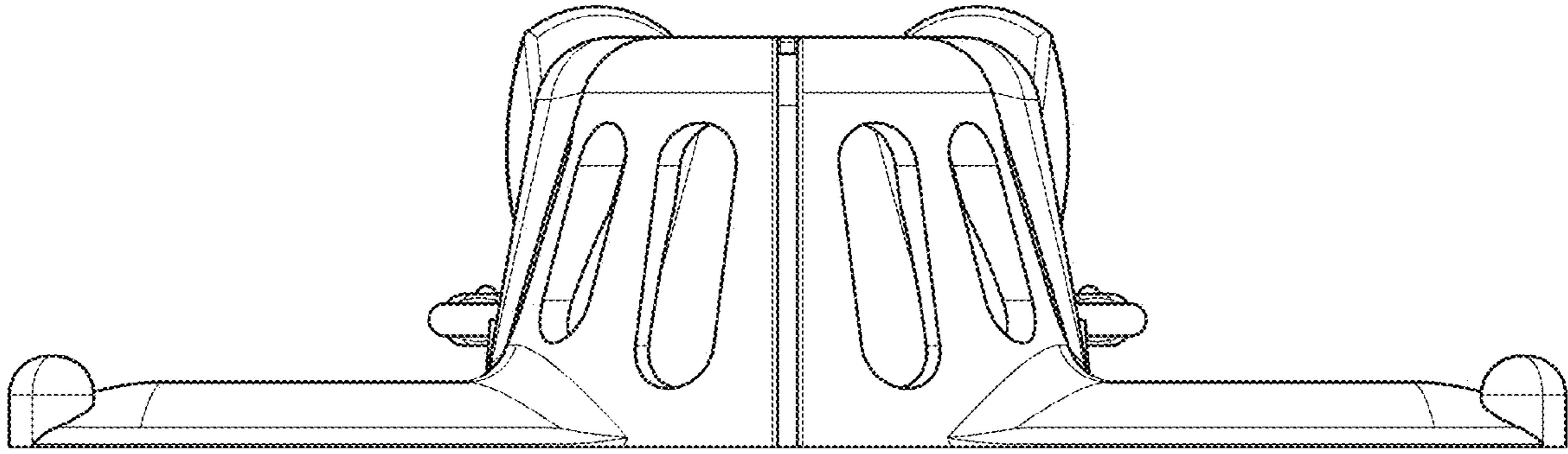


FIG. 3

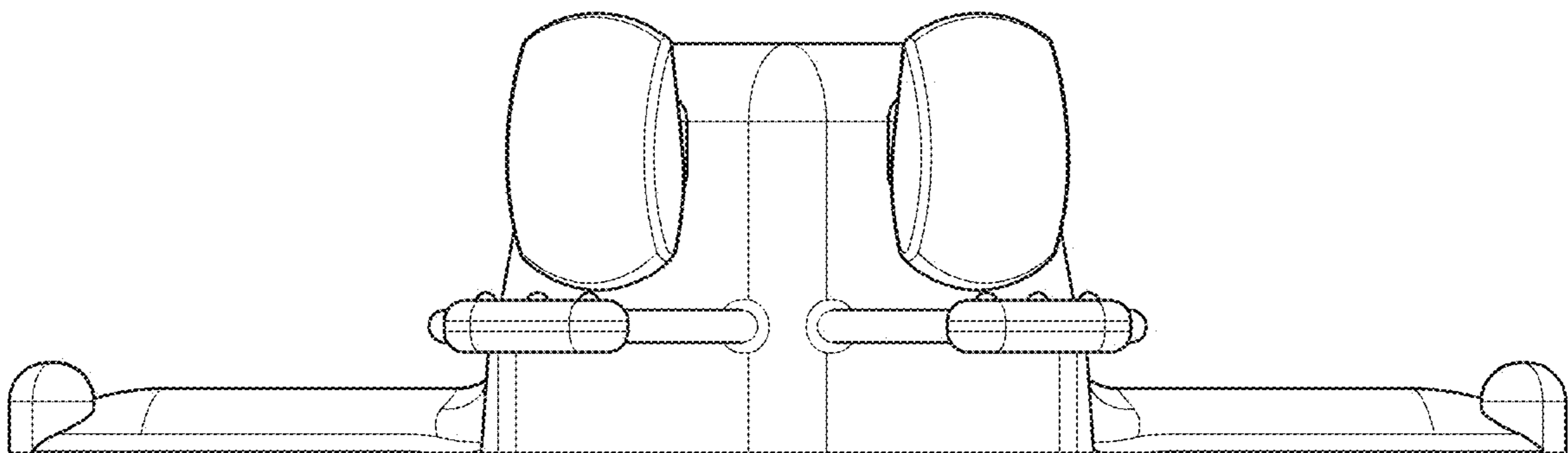


FIG. 4

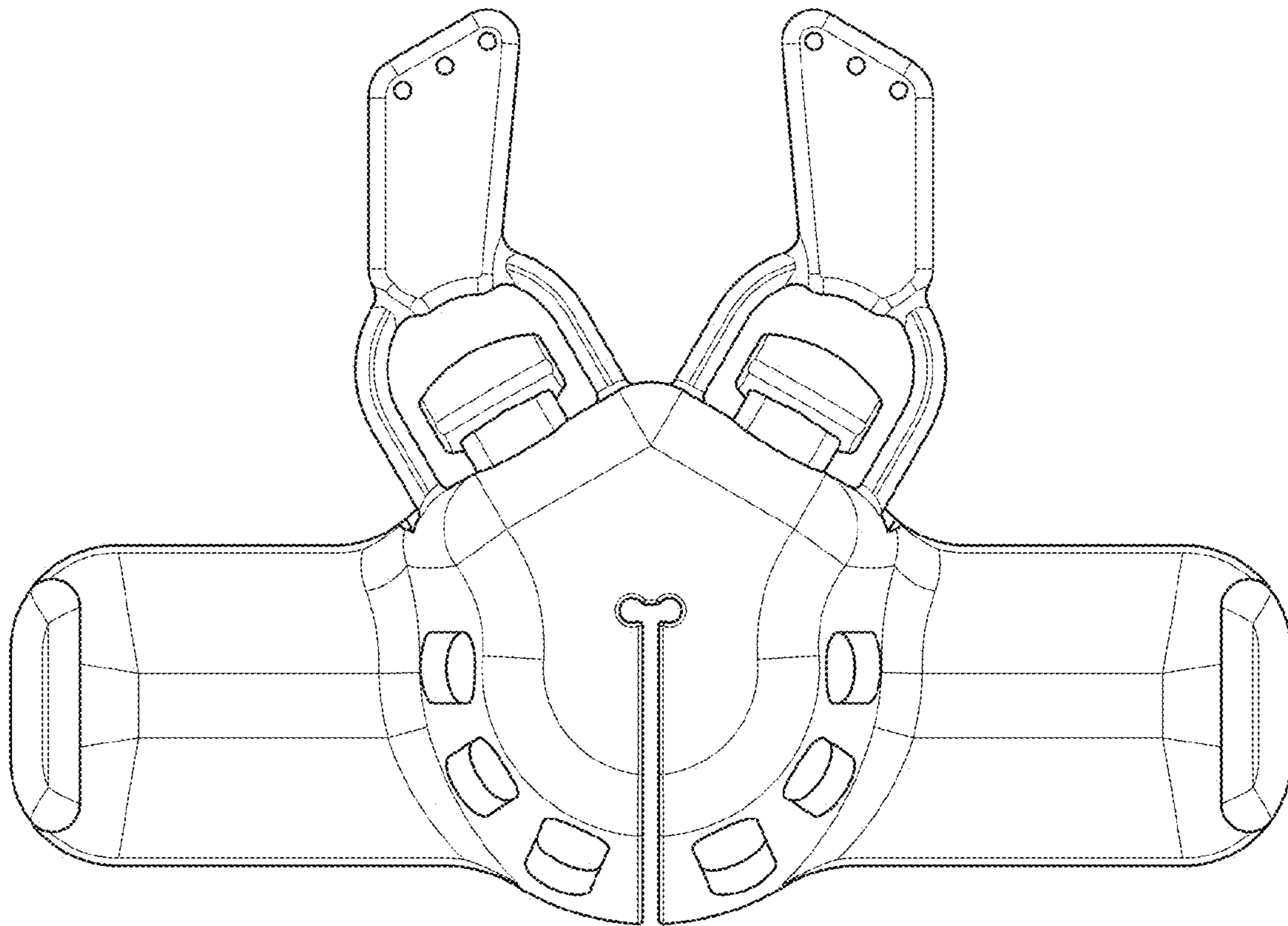


FIG. 5

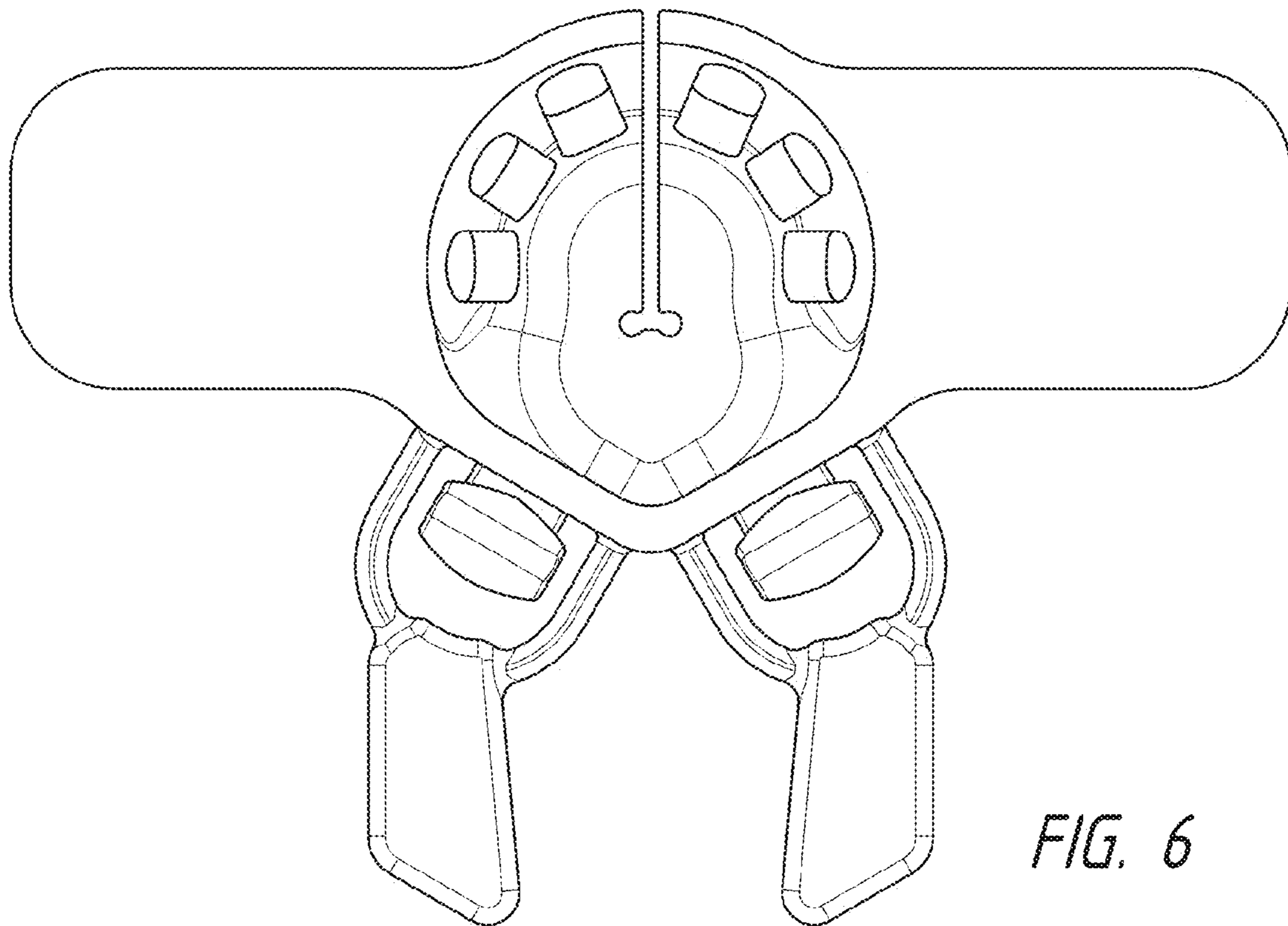


FIG. 6

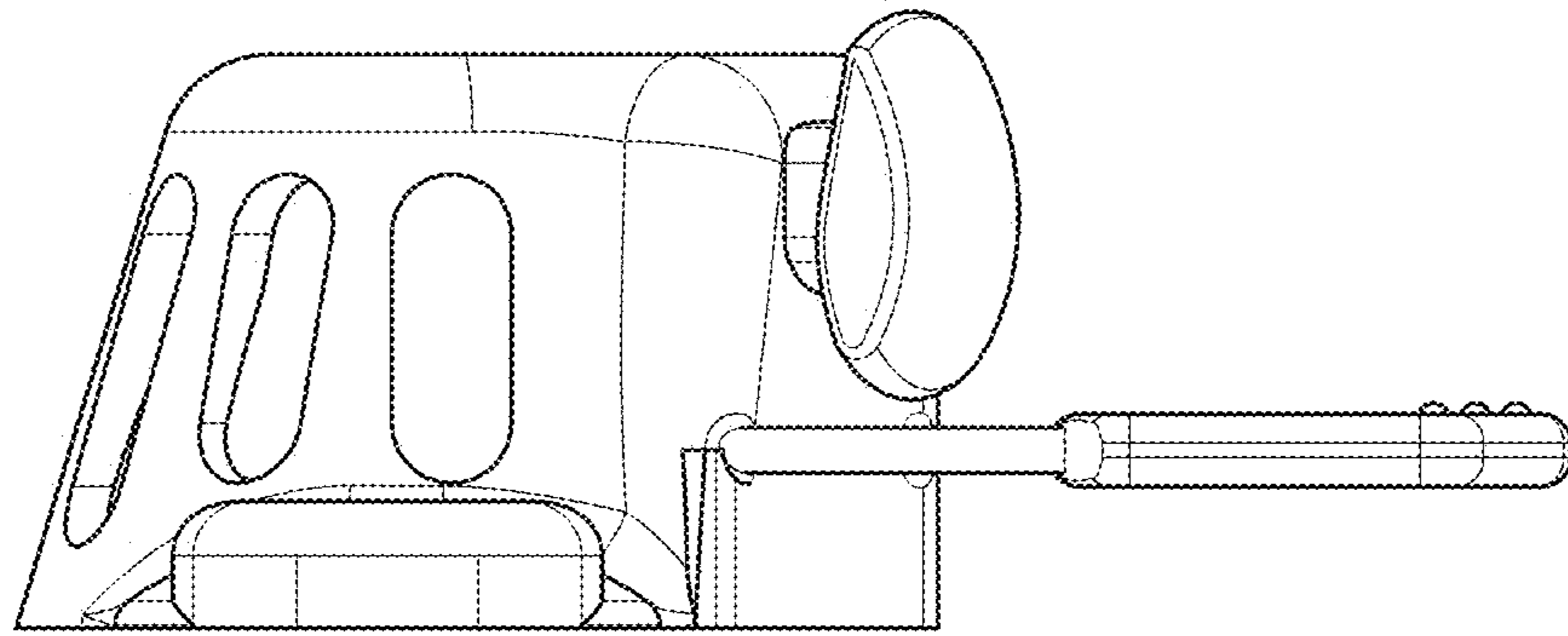


FIG. 7

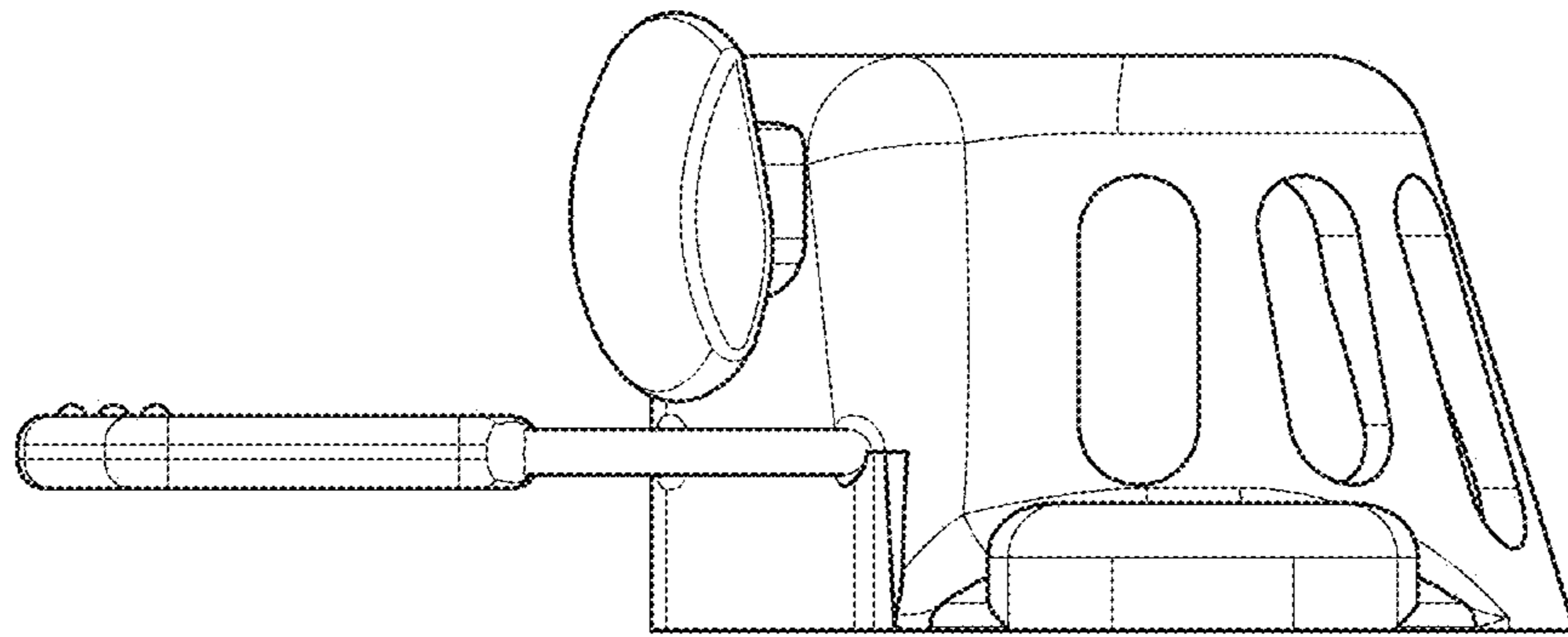


FIG. 8