

US00D907766S

(12) **United States Design Patent** (10) **Patent No.:** **US D907,766 S**  
**Lehmann et al.** (45) **Date of Patent:** **\*\* Jan. 12, 2021**

(54) **INJECTOR**

D766,426 S \* 9/2016 Hamann ..... D24/114  
D898,826 S \* 10/2020 Stukenkemper ..... D19/171  
2014/0207082 A1\* 7/2014 Lee ..... A61B 5/150236  
604/223

(71) Applicants: **Ira Yasmin Lehmann**, Juelich (DE);  
**Philip Perez**, Juelich (DE)

(72) Inventors: **Ira Yasmin Lehmann**, Juelich (DE);  
**Philip Perez**, Juelich (DE)

(\*\*) Term: **15 Years**

(21) Appl. No.: **29/699,749**

(22) Filed: **Jul. 29, 2019**

(51) **LOC (13) Cl.** ..... **24-02**

(52) **U.S. Cl.**  
USPC ..... **D24/114**

(58) **Field of Classification Search**  
USPC ..... D24/112-114, 108, 133, 130, 127, 186;  
606/181, 185; 604/264, 272, 187, 181,  
604/184, 227; D19/163-186  
CPC ..... A61M 5/178; A61M 3/00; A61M 5/20;  
A61M 5/31; A61M 5/3146; A61M  
5/3129; A61M 5/3148; A61M 5/315  
See application file for complete search history.

(56) **References Cited**

**U.S. PATENT DOCUMENTS**

5,404,870 A \* 4/1995 Brinkerhoff ..... A61B 17/00  
227/175.1  
5,830,152 A \* 11/1998 Tao ..... A61B 10/0233  
600/562  
D419,189 S \* 1/2000 Hartge ..... D19/164  
6,149,629 A \* 11/2000 Wilson ..... A61M 5/3271  
604/187  
D490,520 S \* 5/2004 Hawley ..... D19/163  
D552,212 S \* 10/2007 Lu ..... D19/174  
D559,317 S \* 1/2008 Ikeda ..... D19/171  
D611,536 S \* 3/2010 Bridge ..... D19/170  
D626,997 S \* 11/2010 Gerules ..... D19/176  
D645,962 S \* 9/2011 Shaw ..... D24/130

**FOREIGN PATENT DOCUMENTS**

CH 144489 2/2019  
DE 402018201447-0001 11/2018  
DE 402018202694-0001 12/2018  
DE 402018202694-0002 12/2018  
DE 402018202694-0003 12/2018  
DE 402018202694-0004 12/2018  
DE 402018202694-0005 12/2018  
DE 402018202957-0001 3/2019  
DE 402019201497-0001 7/2019  
EM 005837440-0001 12/2018  
EM 005837457-0001 12/2018  
EM 005973005-0001 1/2019  
EM 006153003-0001 2/2019  
EM 006202180-0001 2/2019  
EM 006635264-0001 7/2019

\* cited by examiner

*Primary Examiner* — David G Muller  
(74) *Attorney, Agent, or Firm* — Saidman DesignLaw  
Group, LLC

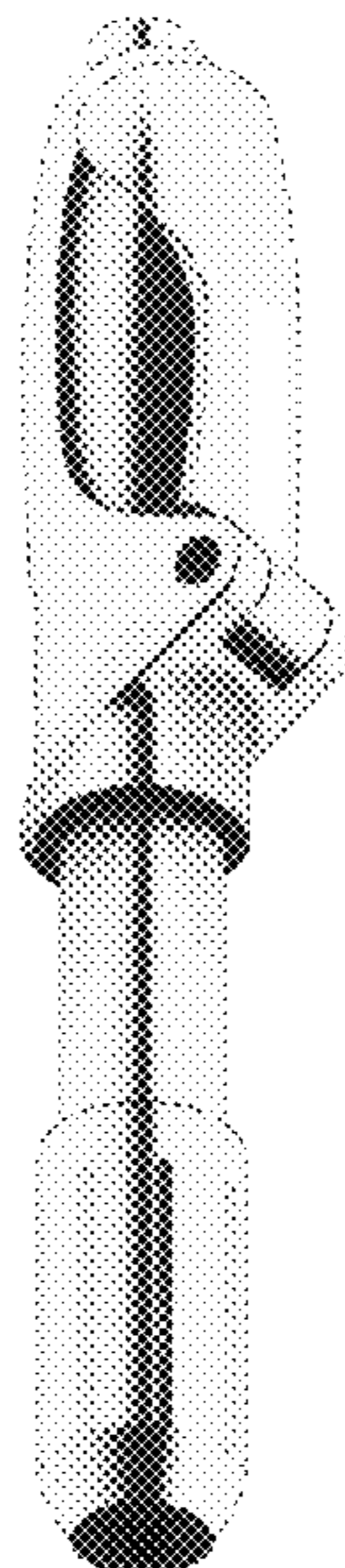
(57) **CLAIM**

The ornamental design for an injector, as shown and described.

**DESCRIPTION**

FIG. 1 is a perspective view of an injector showing our new design;  
FIG. 2 is a left side view thereof, the right side view being a mirror image;  
FIG. 3 is a left side view thereof in an alternate position, the right side view being a mirror image;  
FIG. 4 is a left side view thereof in an alternate position, the right side view being a mirror image; and,  
FIG. 5 is a left side view thereof in an alternate position, the right side view being a mirror image.

**1 Claim, 5 Drawing Sheets**



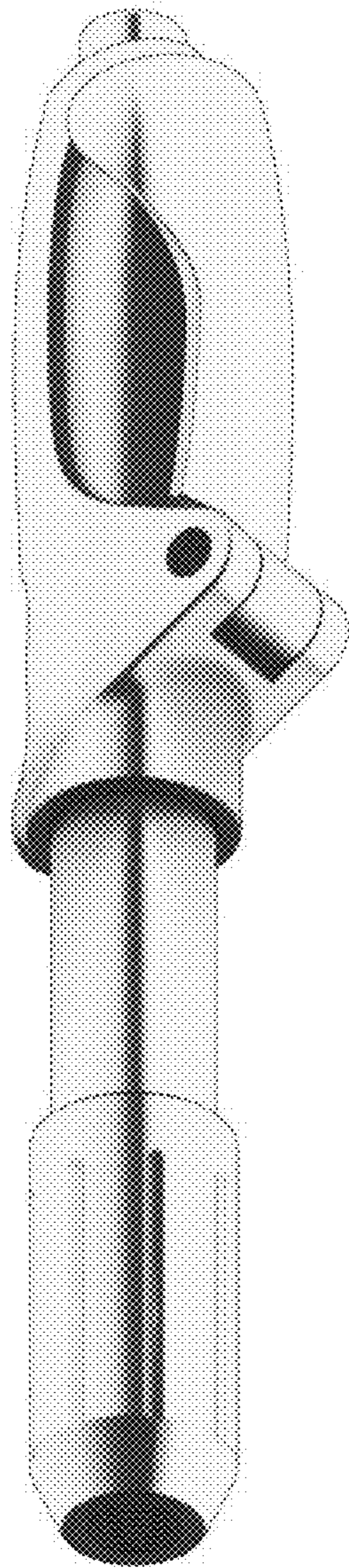


FIG. 1

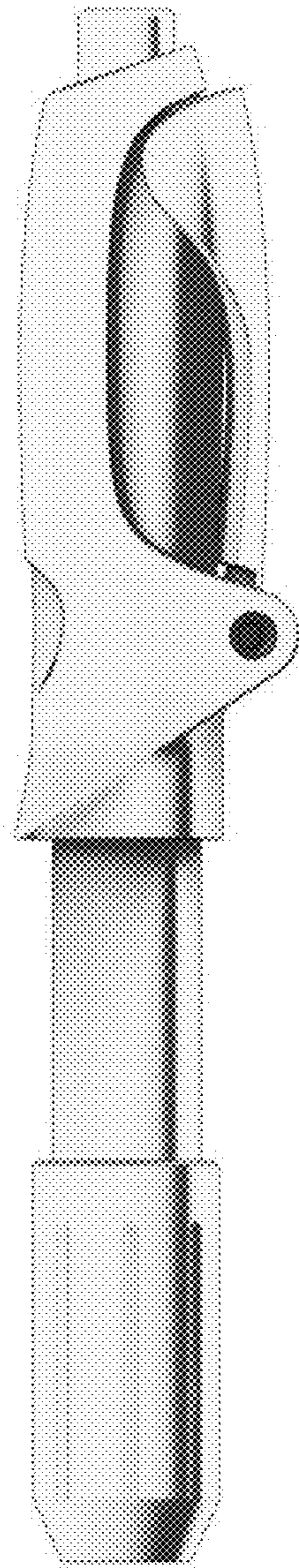


FIG. 2

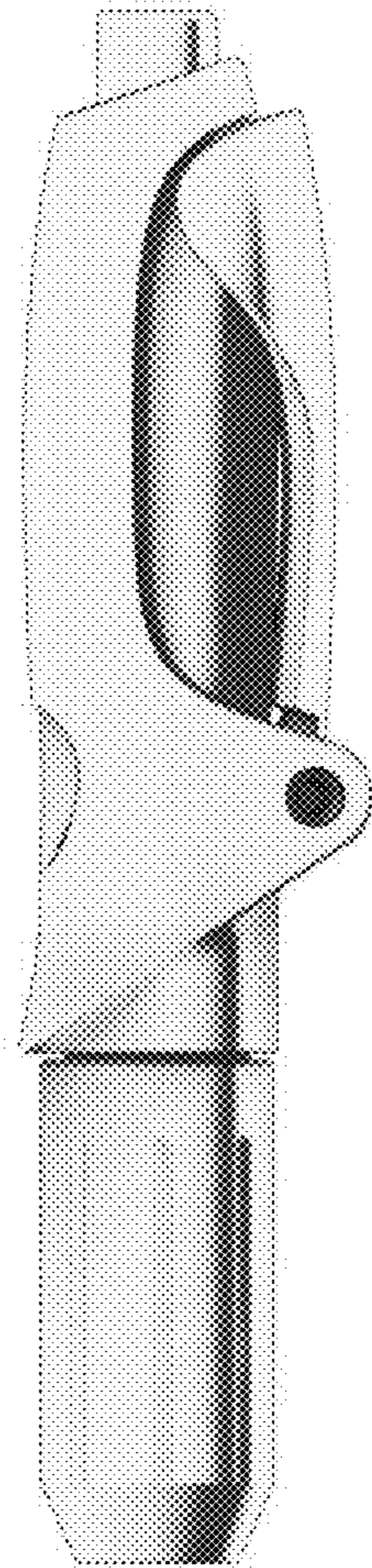


FIG. 3

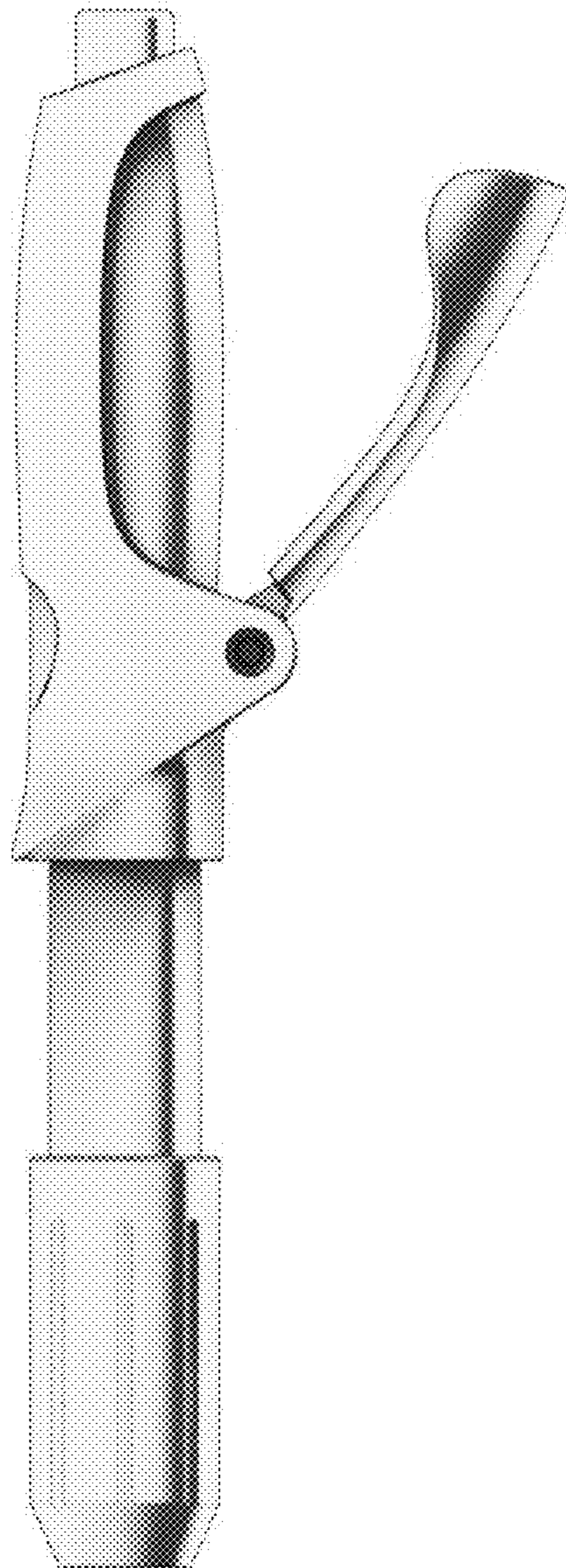


FIG. 4

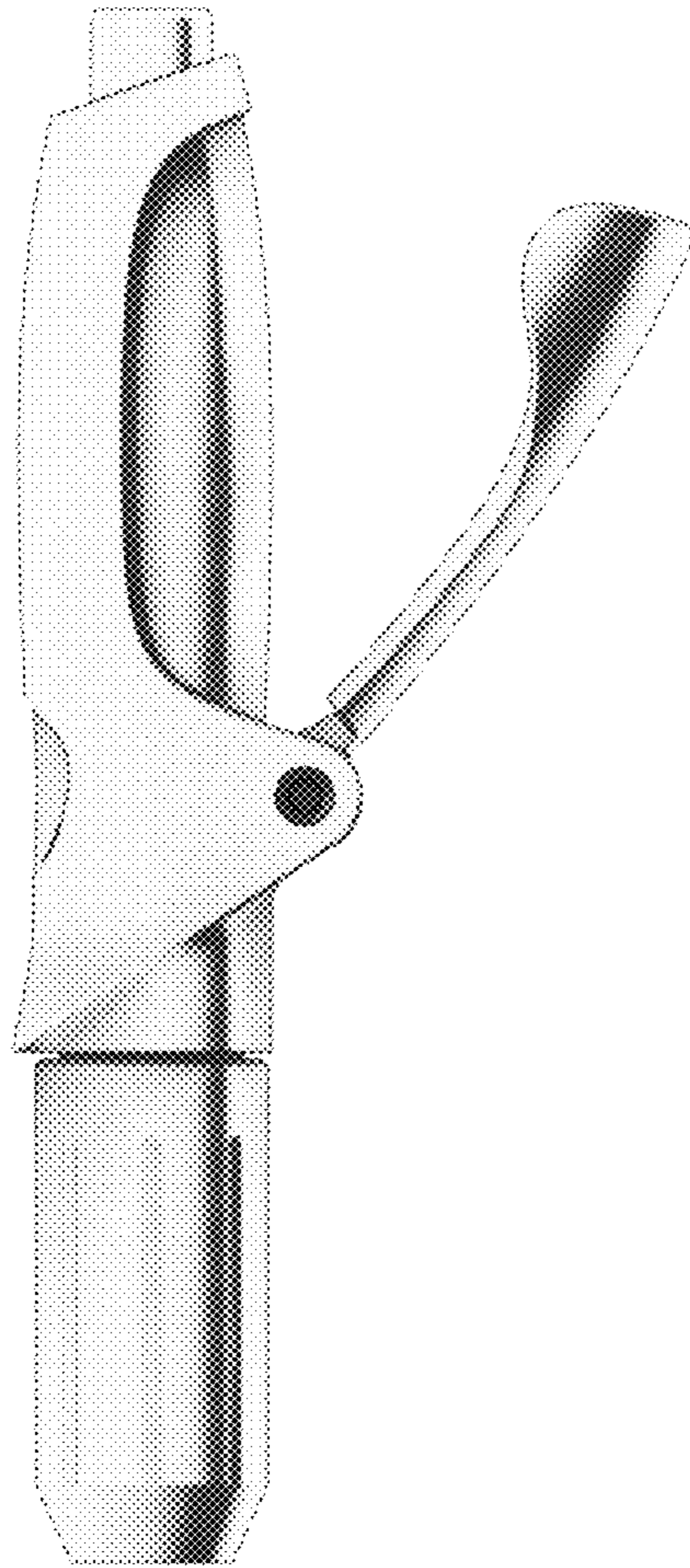


FIG. 5