



US00D907765S

(12) **United States Design Patent** (10) **Patent No.:** **US D907,765 S**
Eriksen (45) **Date of Patent:** **** Jan. 12, 2021**

(54) **INJECTOR**
(71) Applicant: **ASCENDIS PHARMA A/S**, Hellerup (DK)
(72) Inventor: **Carsten Eriksen**, Abyhoj (DK)
(73) Assignee: **ASCENDIS PHARMA A/S**, Hellerup (DK)
(**) Term: **15 Years**
(21) Appl. No.: **29/599,013**
(22) Filed: **Mar. 30, 2017**

D766,425 S * 9/2016 Hauck D24/113
D770,038 S * 10/2016 Ahlgrim D24/113
D770,611 S * 11/2016 Saussaye D24/114
D774,639 S * 12/2016 Saussaye D24/113
D785,784 S * 5/2017 Jones D24/113
D792,578 S * 7/2017 Jones D24/113
D793,547 S * 8/2017 Burkett D24/112
D796,025 S * 8/2017 Lo D24/108
D797,281 S * 9/2017 Ohashi D24/130
2002/0107477 A1 8/2002 Kipfer
2003/0205587 A1 11/2003 Tribe et al.
2006/0178630 A1 8/2006 Bostrom et al.
2009/0299328 A1 12/2009 Mudd et al.
2012/0283655 A1 11/2012 Plumptre et al.
2013/0211326 A1 8/2013 Dasbach et al.

(Continued)

Related U.S. Application Data

(63) Continuation-in-part of application No. PCT/EP2016/082856, filed on Dec. 29, 2016.
(51) **LOC (13) Cl.** **24-02**
(52) **U.S. Cl.**
USPC **D24/112**
(58) **Field of Classification Search**
USPC D24/112–114, 108, 133, 130, 127, 186;
606/181, 185; 604/264, 272, 187, 181,
604/184, 227
CPC A61M 5/178; A61M 3/00; A61M 5/20;
A61M 5/31; A61M 5/3146; A61M
5/3129; A61M 5/3148; A61M 5/315
See application file for complete search history.

(56) **References Cited**

U.S. PATENT DOCUMENTS

5,739,508 A 4/1998 Uber, III
D481,120 S * 10/2003 Hawley D19/177
D673,264 S * 12/2012 Kunze D24/113
D697,205 S * 1/2014 Schneider D24/113
9,173,995 B1 11/2015 Tucker et al.
D747,465 S * 1/2016 Homsy D24/112
D759,814 S * 6/2016 Newman D24/130

FOREIGN PATENT DOCUMENTS

EP 2656865 10/2013
GB 2356349 5/2001

(Continued)

Primary Examiner — David G Muller
(74) *Attorney, Agent, or Firm* — Tucker Ellis, LLP

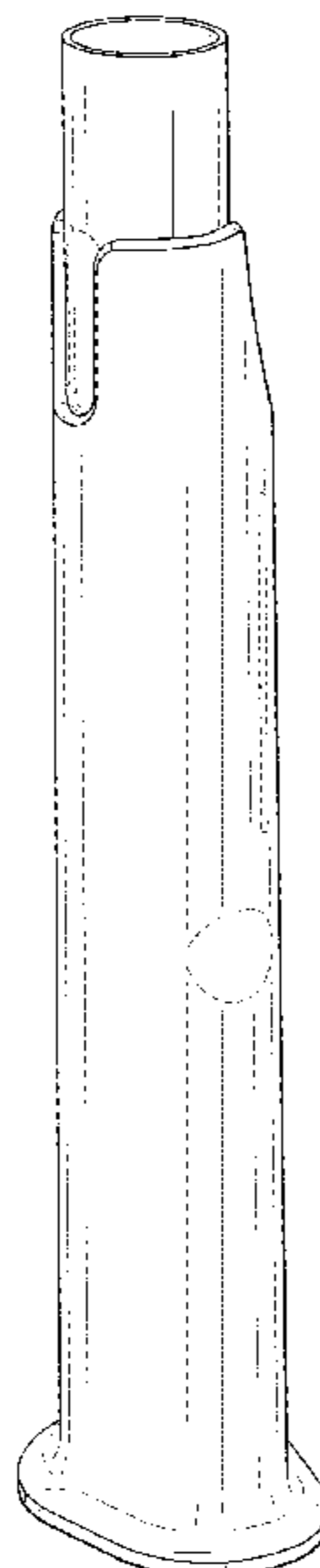
(57) **CLAIM**

The ornamental design for an injector, as shown and described.

DESCRIPTION

FIG. 1 is a perspective view of an injector showing our new design;
FIG. 2 is a front view thereof;
FIG. 3 is a rear view thereof;
FIG. 4 is a top view thereof;
FIG. 5 is a bottom view thereof;
FIG. 6 is a left side view thereof; and,
FIG. 7 is a right side view thereof.
The broken lines shown herein are for illustrative purposes only and form no part of the claimed design.

1 Claim, 7 Drawing Sheets



(56)

References Cited

U.S. PATENT DOCUMENTS

2013/0211327	A1	8/2013	Osman et al.
2014/0012229	A1	1/2014	Bokelman et al.
2014/0114277	A1	4/2014	Eggert et al.
2014/0142514	A1	5/2014	Elahi et al.
2014/0358093	A1	12/2014	Soerensen et al.
2014/0358096	A1	12/2014	Soerensen et al.
2015/0306316	A1	10/2015	Bruggemann et al.
2015/0320932	A1	11/2015	Draper et al.
2015/0359967	A1	12/2015	Steel et al.
2015/0367074	A1	12/2015	Draper et al.
2015/0367075	A1	12/2015	Cave

FOREIGN PATENT DOCUMENTS

WO	02051471	7/2002
WO	2013065055	5/2013
WO	2014144096	9/2014
WO	2014166915	10/2014

* cited by examiner

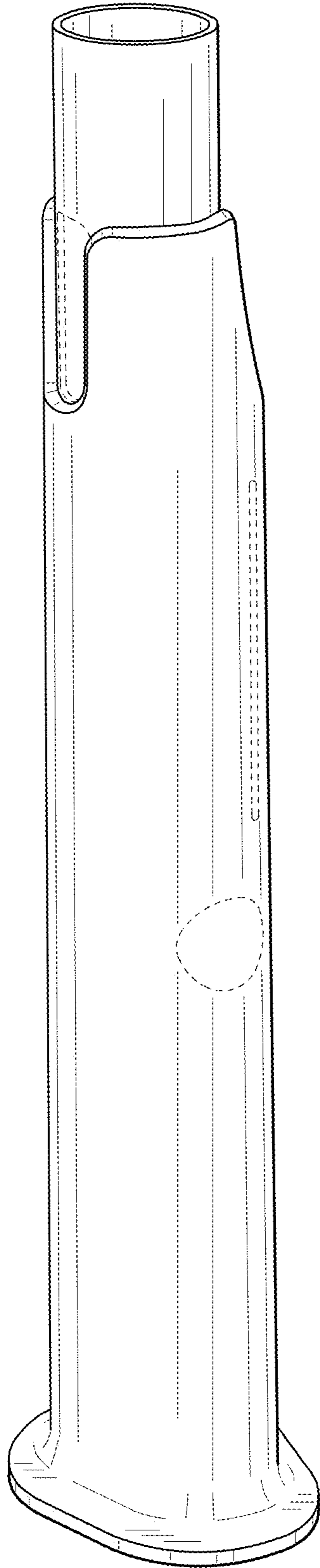


FIG. 1

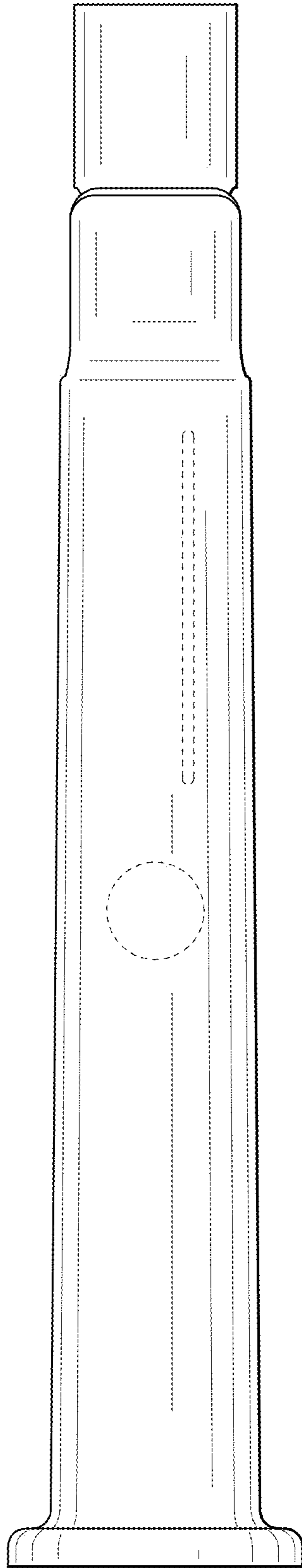


FIG.2

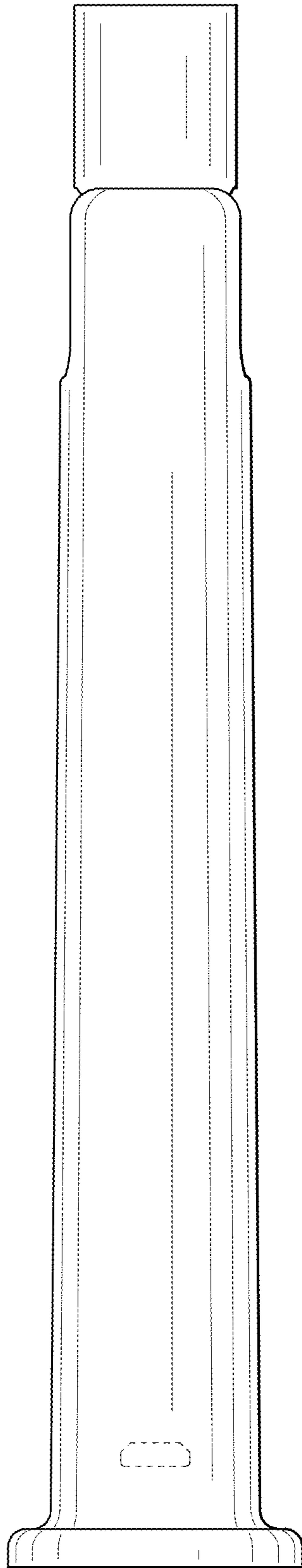


FIG.3

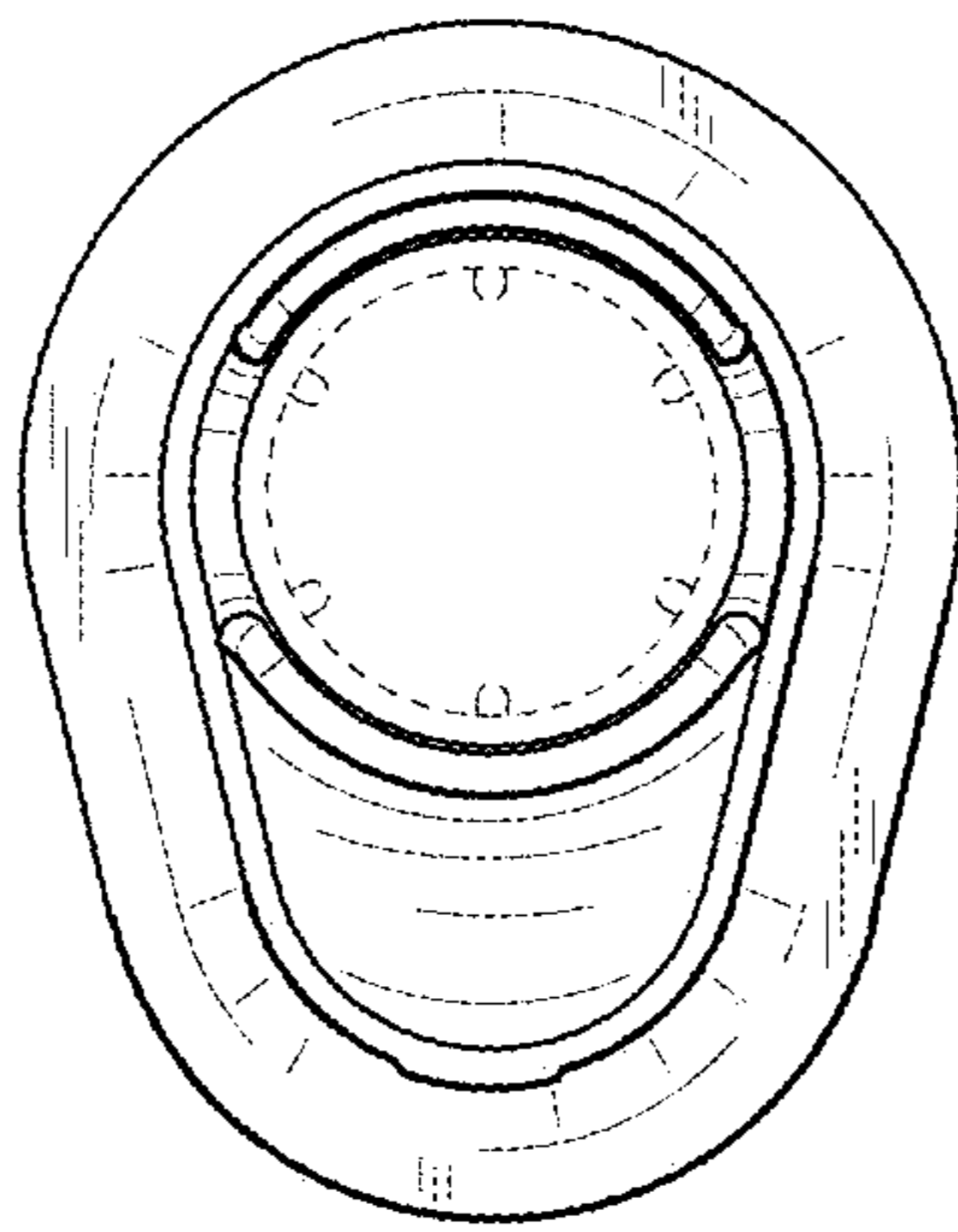


FIG.4

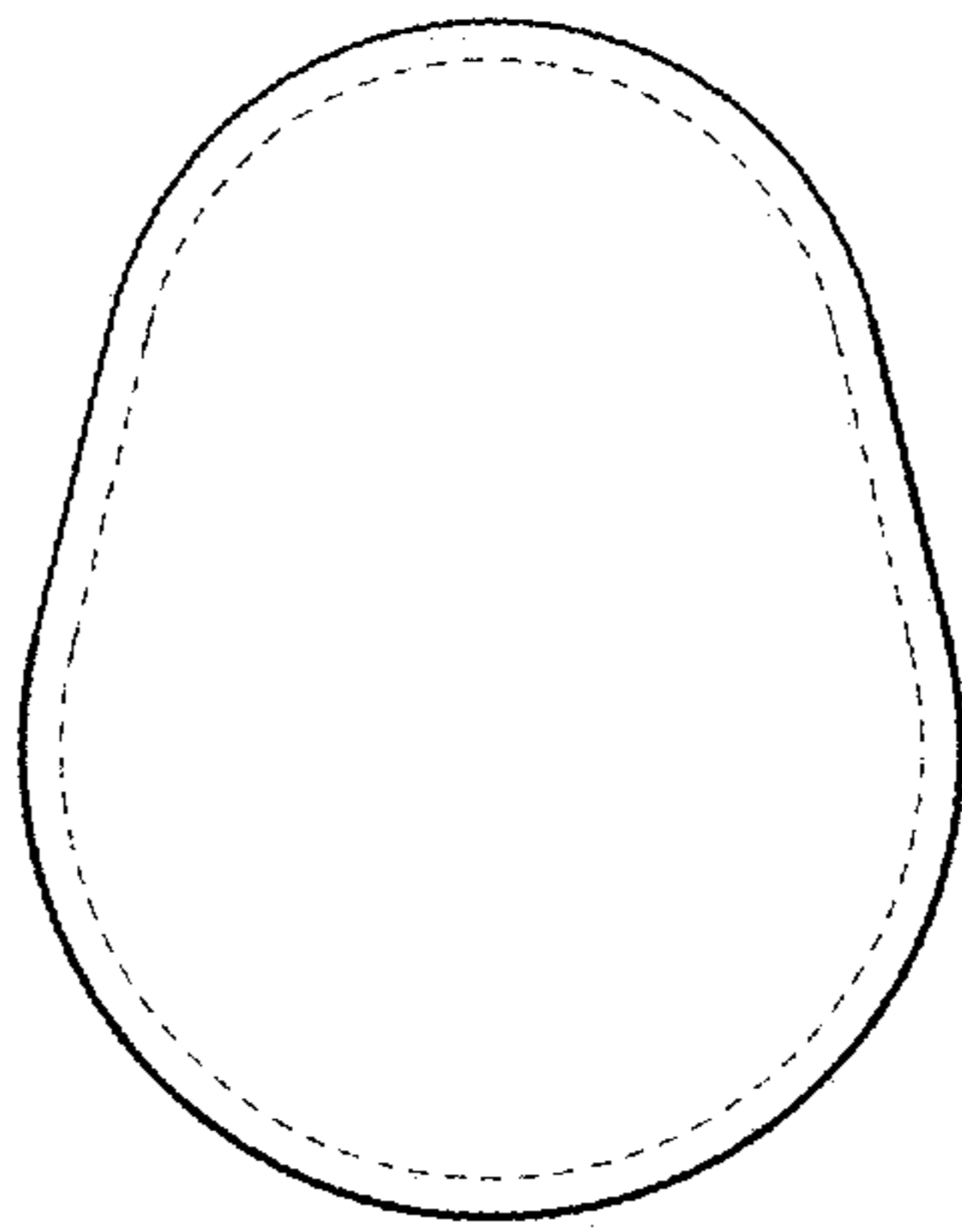


FIG. 5

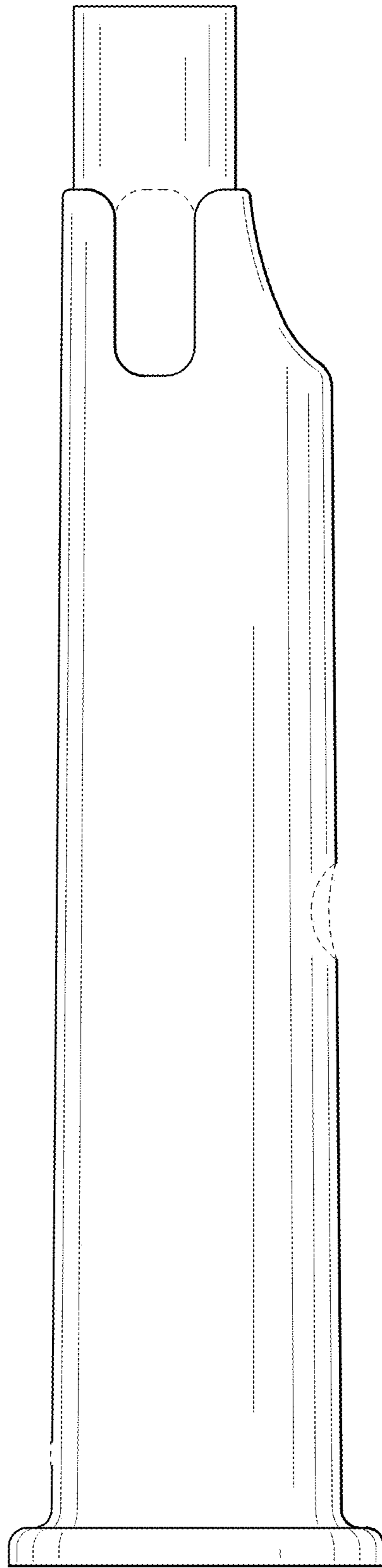


FIG.6

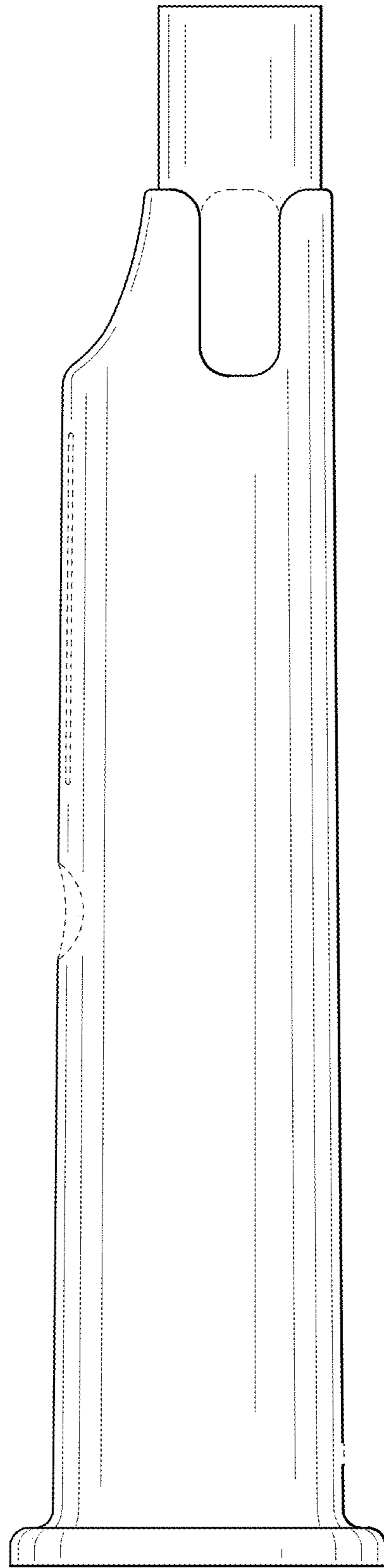


FIG.7