



US00D907764S

(12) **United States Design Patent** (10) **Patent No.:** **US D907,764 S**  
**Hidaka et al.** (45) **Date of Patent:** **\*\* Jan. 12, 2021**

(54) **CARTRIDGE FOR BLOOD COAGULOMETRY**

(71) Applicant: **SONY CORPORATION**, Tokyo (JP)

(72) Inventors: **Isao Hidaka**, Tokyo (JP); **Daisuke Terakado**, Saitama (JP)

(73) Assignee: **SONY CORPORATION**, Tokyo (JP)

(\*\*) Term: **15 Years**

(21) Appl. No.: **29/597,763**

(22) Filed: **Mar. 20, 2017**

(30) **Foreign Application Priority Data**

Feb. 21, 2017 (JP) ..... D2017-003323  
Feb. 21, 2017 (JP) ..... D2017-003325  
Feb. 21, 2017 (JP) ..... D2017-003326

(51) **LOC (13) Cl.** ..... **24-02**

(52) **U.S. Cl.**  
USPC ..... **D24/112**

(58) **Field of Classification Search**  
USPC ..... D24/112-114, 108, 130, 127, 133, 186;  
606/181, 185; 604/264, 523-528, 272,  
(Continued)

(56) **References Cited**

**U.S. PATENT DOCUMENTS**

8,920,747 B2 12/2014 Matsuura et al.  
D724,892 S 3/2015 Gonzalez-Quiros  
(Continued)

*Primary Examiner* — David G Muller  
(74) *Attorney, Agent, or Firm* — Michael Best and Friedrich LLP

(57) **CLAIM**

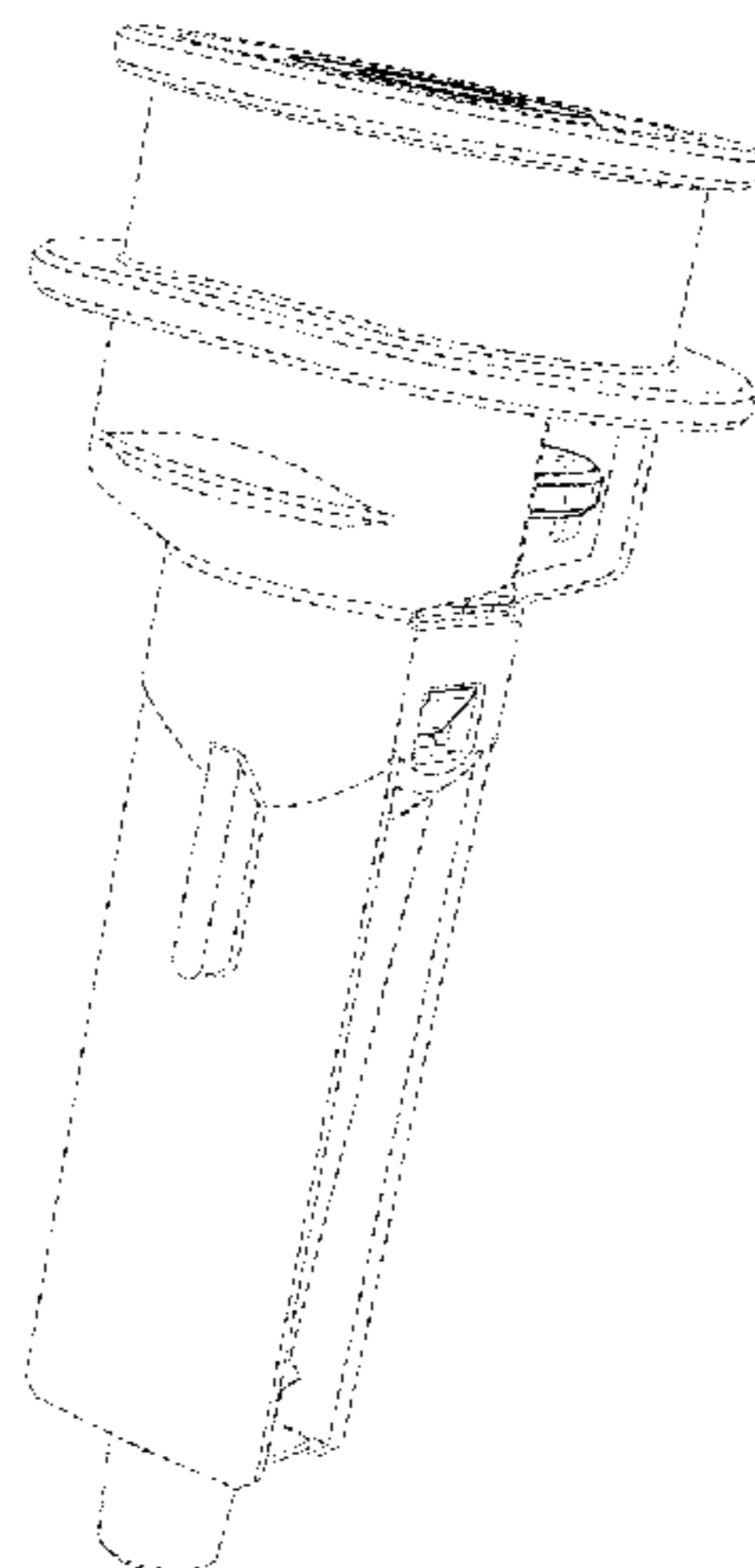
The ornamental design for a cartridge for blood coagulometry, as shown.

**DESCRIPTION**

FIG. 1 is a perspective view of a cartridge for blood coagulometry showing our new design;

FIG. 2 is a left side elevational view thereof;  
FIG. 3 is a right side elevational view thereof;  
FIG. 4 is a top plan view thereof; and  
FIG. 5 is a bottom plan view thereof.  
FIG. 6 is a perspective view of a cover for the cartridge of FIG. 1;  
FIG. 7 is a front elevational view thereof;  
FIG. 8 is a rear elevational view thereof;  
FIG. 9 is a left side elevational view thereof;  
FIG. 10 is a right side elevational view thereof;  
FIG. 11 is a top plan view thereof; and  
FIG. 12 is a bottom plan view thereof.  
FIG. 13 is a perspective view of a cartridge for blood coagulometry showing our new design in an alternative unclaimed environment;  
FIG. 14 is a left side elevational view thereof;  
FIG. 15 is a right side elevational view thereof;  
FIG. 16 is a top plan view thereof; and  
FIG. 17 is a bottom plan view thereof.  
FIG. 18 is a perspective view of a cover for the cartridge of FIG. 13;  
FIG. 19 is a front elevational view thereof;  
FIG. 20 is a rear elevational view thereof;  
FIG. 21 is a left side elevational view thereof;  
FIG. 22 is a right side elevational view thereof;  
FIG. 23 is a top plan view thereof; and  
FIG. 24 is a bottom plan view thereof.  
FIG. 25 is a perspective view of a cartridge for blood coagulometry showing our new design in another alternative unclaimed environment;  
FIG. 26 is a left side elevational view thereof;  
FIG. 27 is a right side elevational view thereof;  
FIG. 28 is a top plan view thereof; and  
FIG. 29 is a bottom plan view thereof.  
FIG. 30 is a perspective view of a cover for the cartridge of FIG. 25;  
FIG. 31 is a front elevational view thereof;  
FIG. 32 is a rear elevational view thereof;  
FIG. 33 is a left side elevational view thereof;  
FIG. 34 is a right side elevational view thereof;  
FIG. 35 is a top plan view thereof; and  
FIG. 36 is a bottom plan view thereof.  
The broken lines illustrating unclaimed portions of the cartridge and the cover form no part of the claimed design.

(Continued)



The dot-dash broken lines defining the boundaries of the claimed design form no part of the claimed design.

**1 Claim, 21 Drawing Sheets**

**(58) Field of Classification Search**

USPC .... 604/164.01–164.11, 187, 93.01; 600/101,  
600/139, 143; 128/200.24, 207.14,  
128/207.15

CPC .. A61M 25/065; A61M 5/42; A61M 25/0612;  
A61M 25/00; A61M 39/00; A61M 27/00;  
A61M 25/0043; A61M 25/0067; A61M  
25/0097; A61F 2/958

See application file for complete search history.

**(56) References Cited**

U.S. PATENT DOCUMENTS

D732,684 S	6/2015	Ooi et al.	
D739,953 S	9/2015	Curry et al.	
D760,893 S *	7/2016	Honda .....	D24/130
D768,850 S *	10/2016	Rozwadowski .....	D24/130
D768,851 S *	10/2016	Rozwadowski .....	D24/130
D768,852 S *	10/2016	Rozwadowski .....	D24/130
D770,315 S	11/2016	Katsumoto et al.	
D777,324 S *	1/2017	Nguyen .....	D24/127
D784,524 S *	4/2017	Corbin .....	D24/127
D784,526 S *	4/2017	Grunhut .....	D24/127
D784,527 S *	4/2017	Llewellyn-Hyde .....	D24/127
D787,053 S *	5/2017	Huang .....	D24/130
D787,664 S *	5/2017	Grunhut .....	D24/127
D787,669 S *	5/2017	Huang .....	D24/130
D790,692 S *	6/2017	Pappalardo .....	D24/130
D804,023 S *	11/2017	Huang .....	D24/130

\* cited by examiner

FIG.1

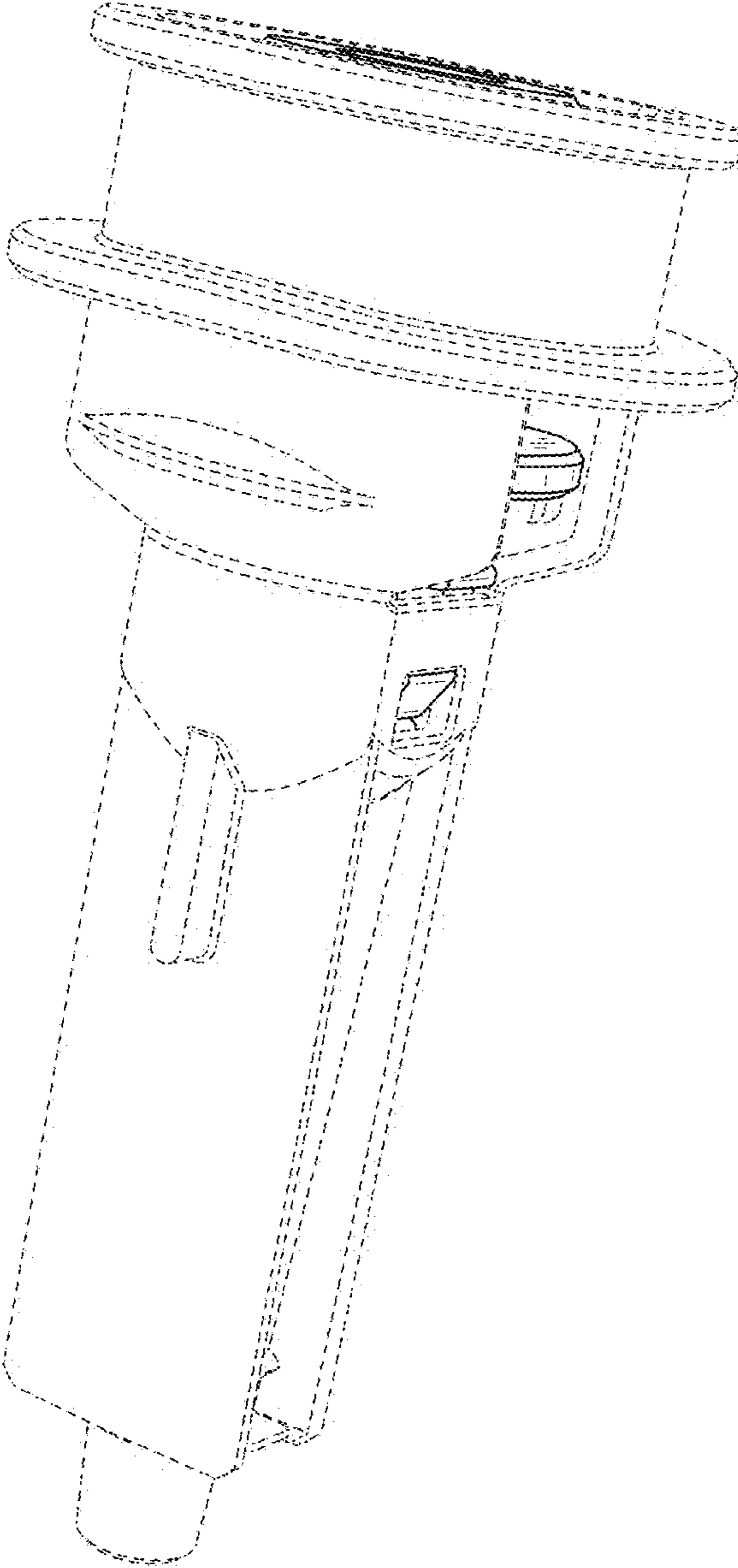


FIG.2

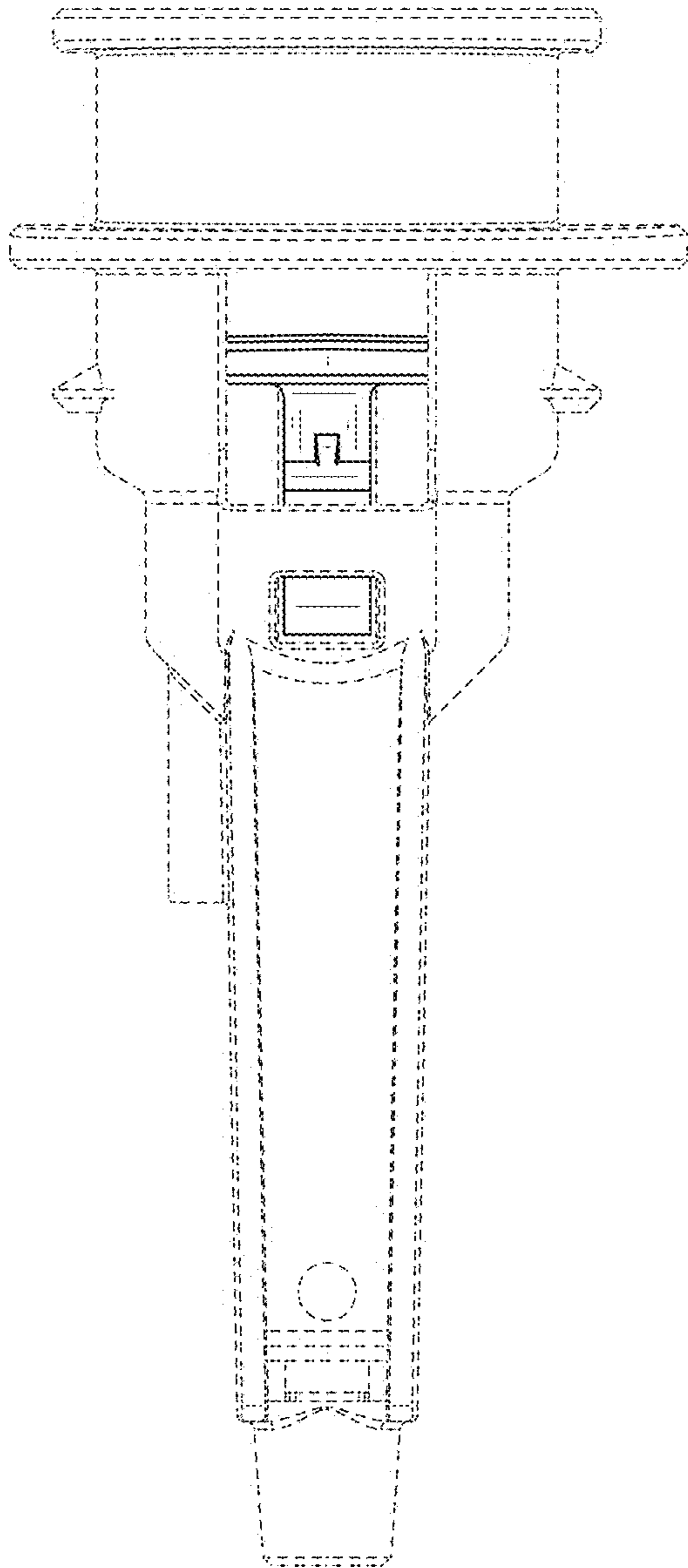


FIG.3

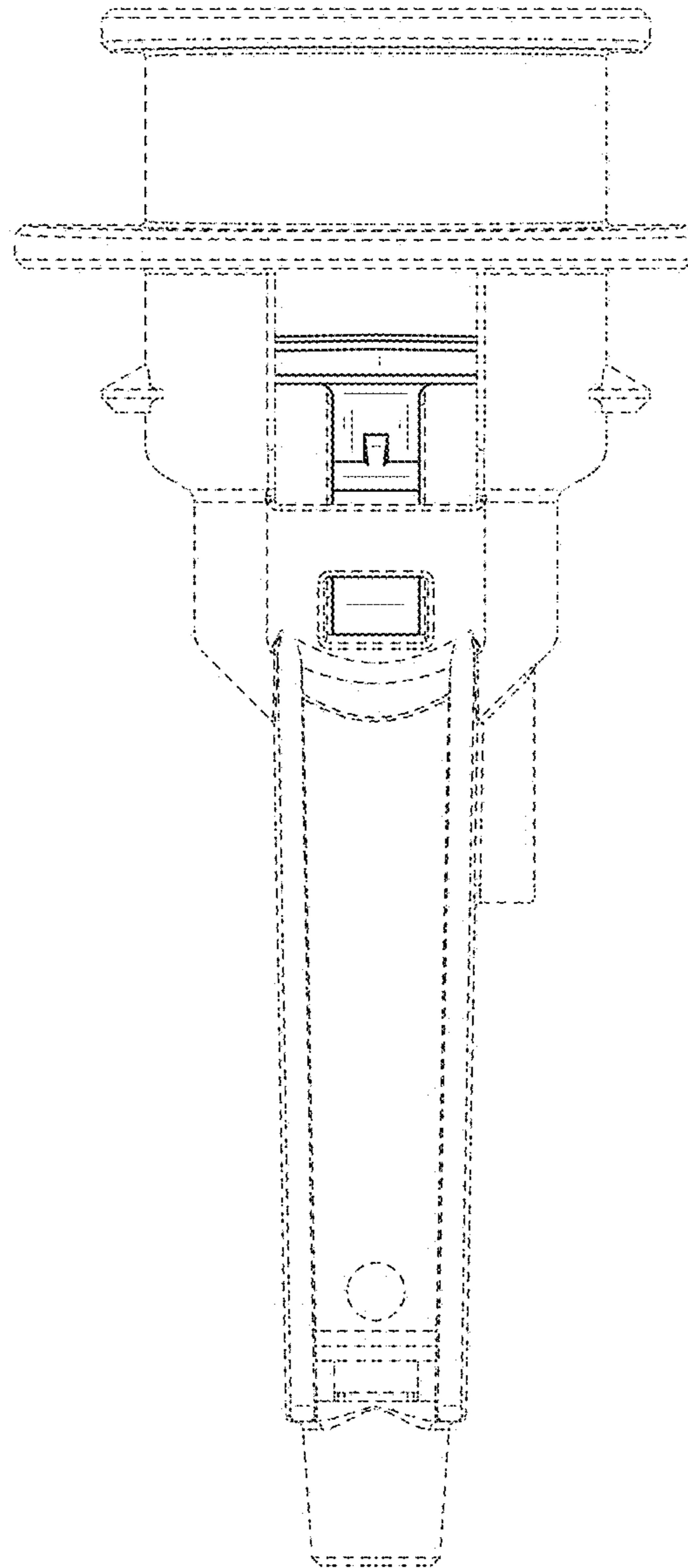


FIG.4

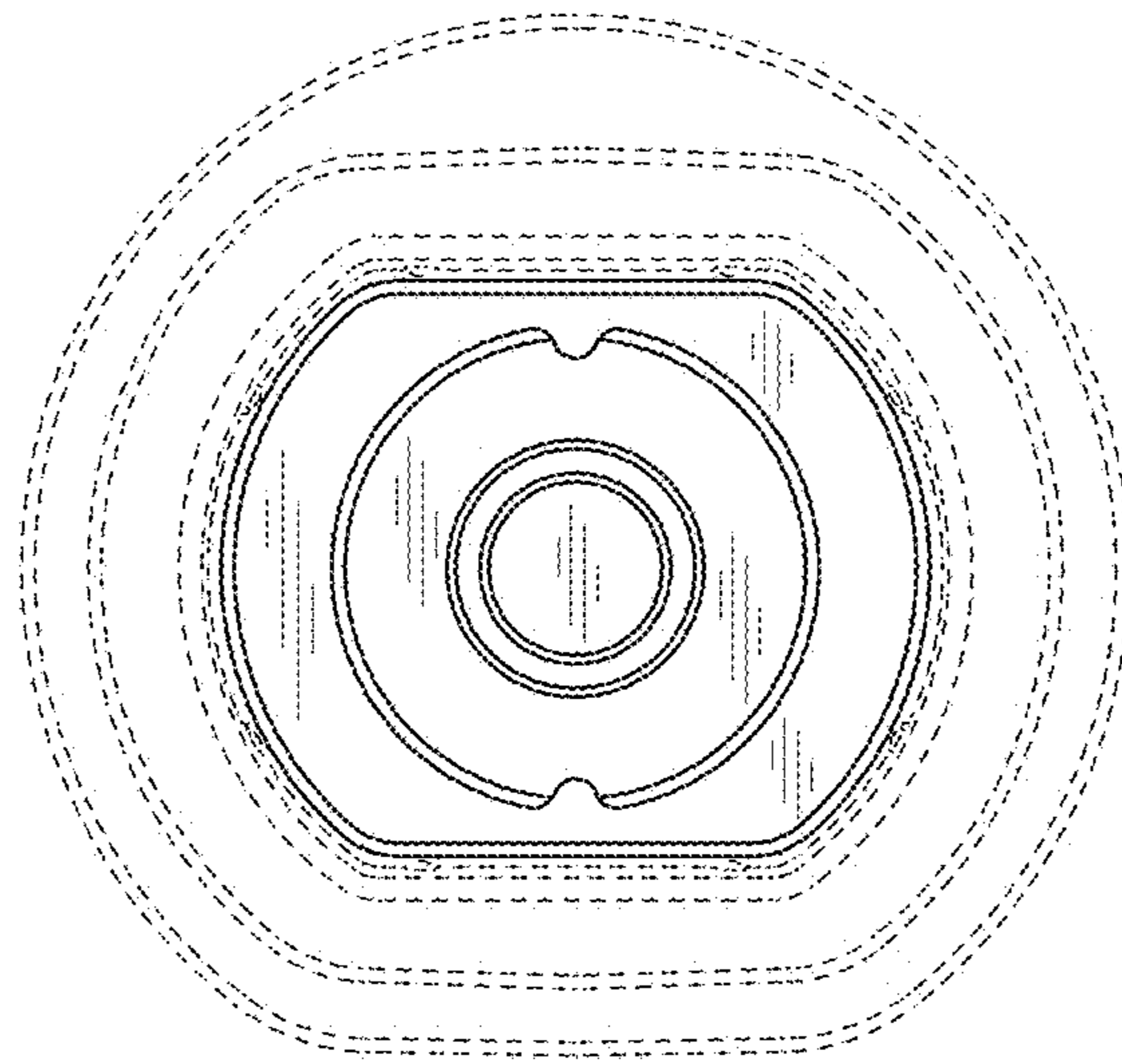


FIG.5

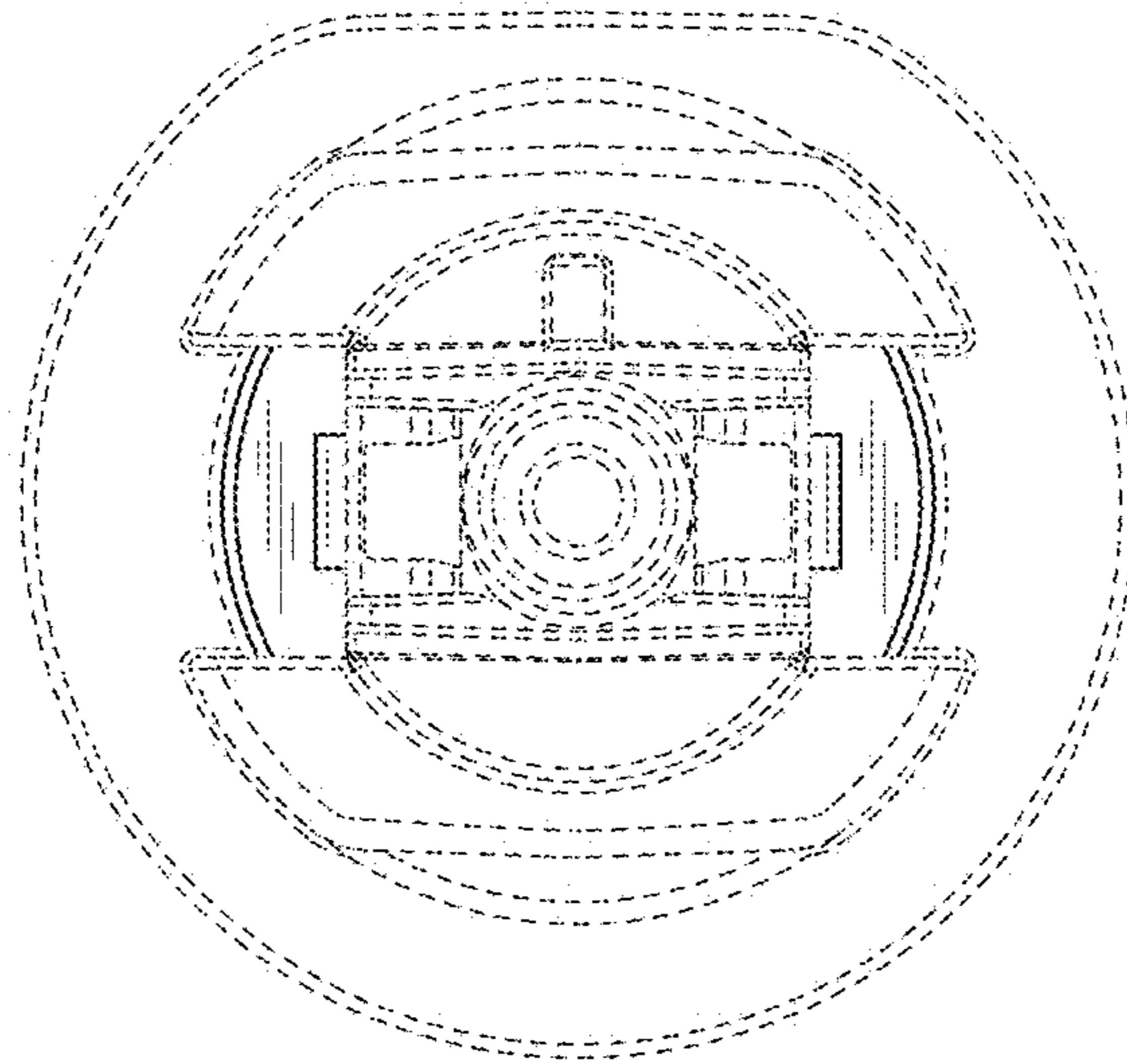


FIG.6

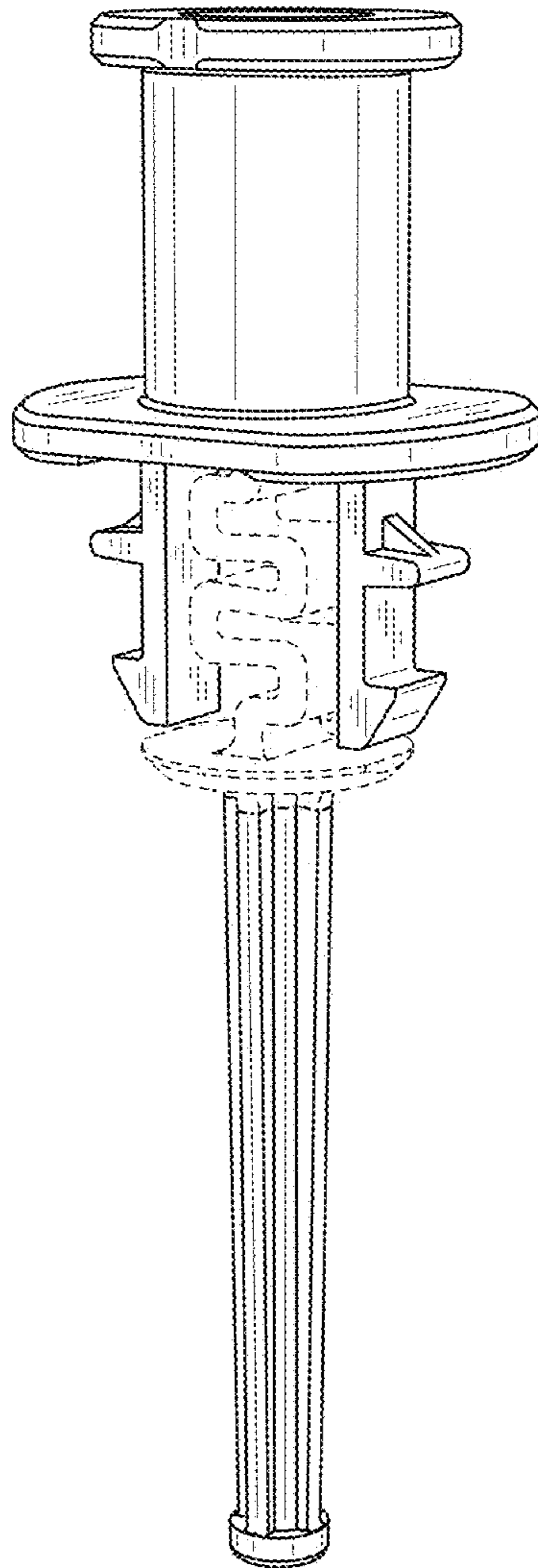


FIG.7

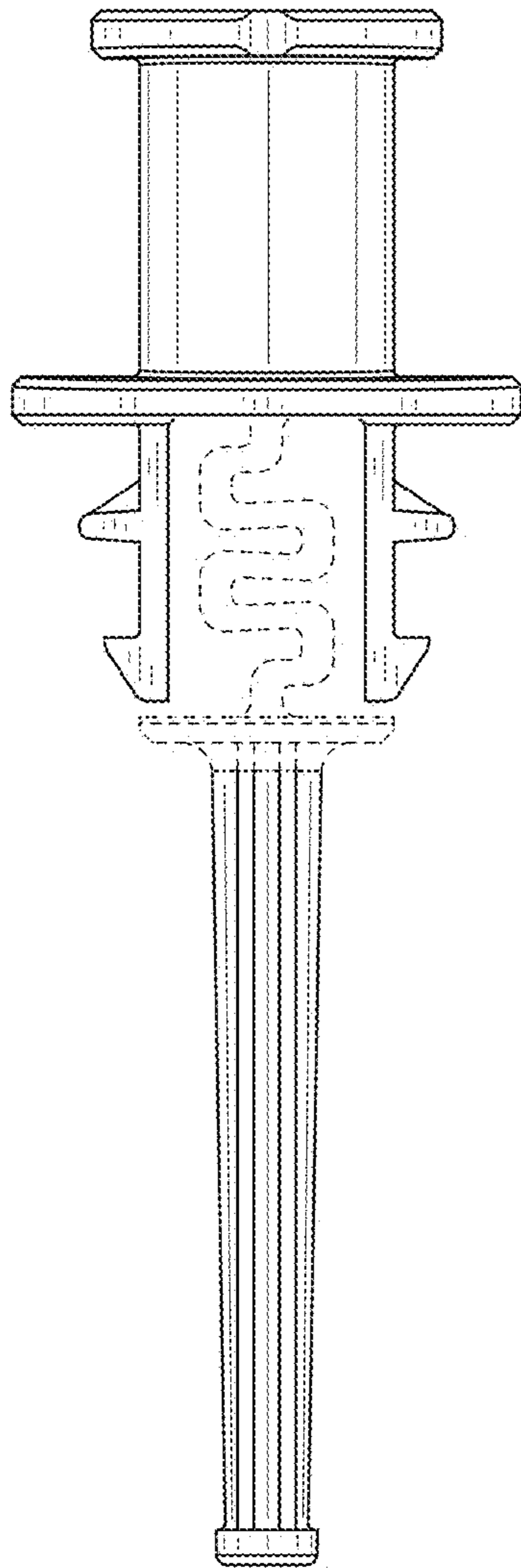


FIG.8

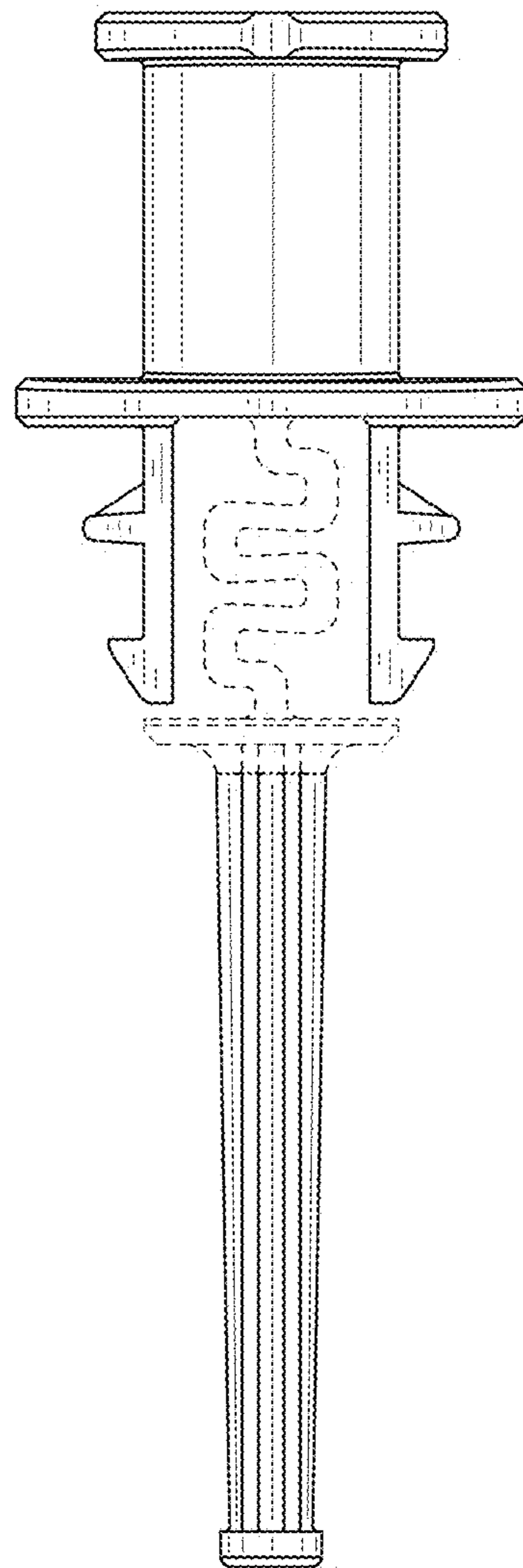


FIG.9

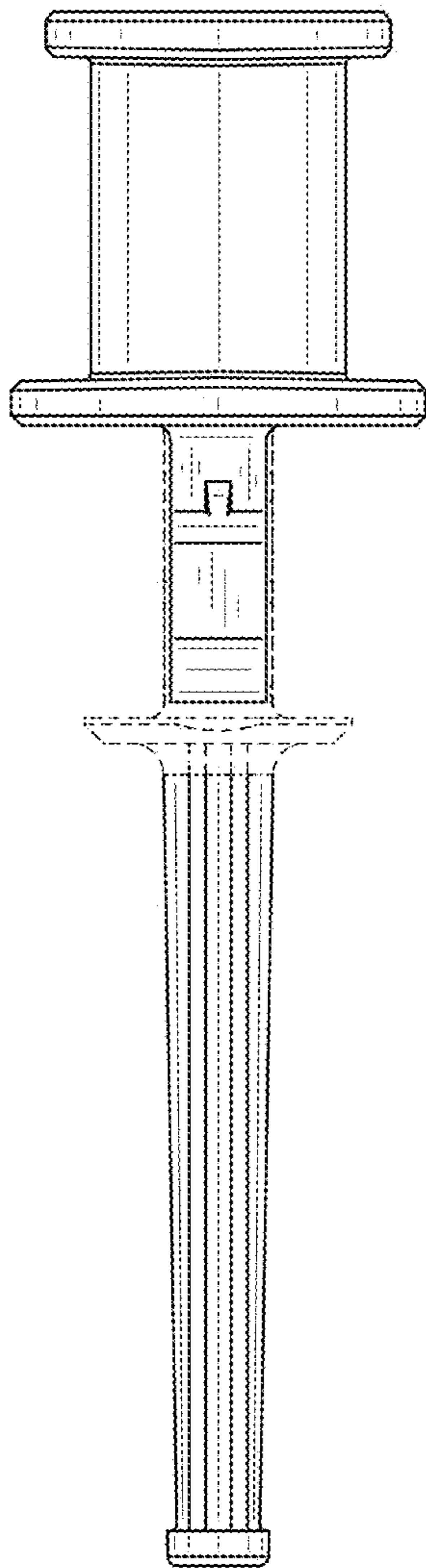


FIG.10

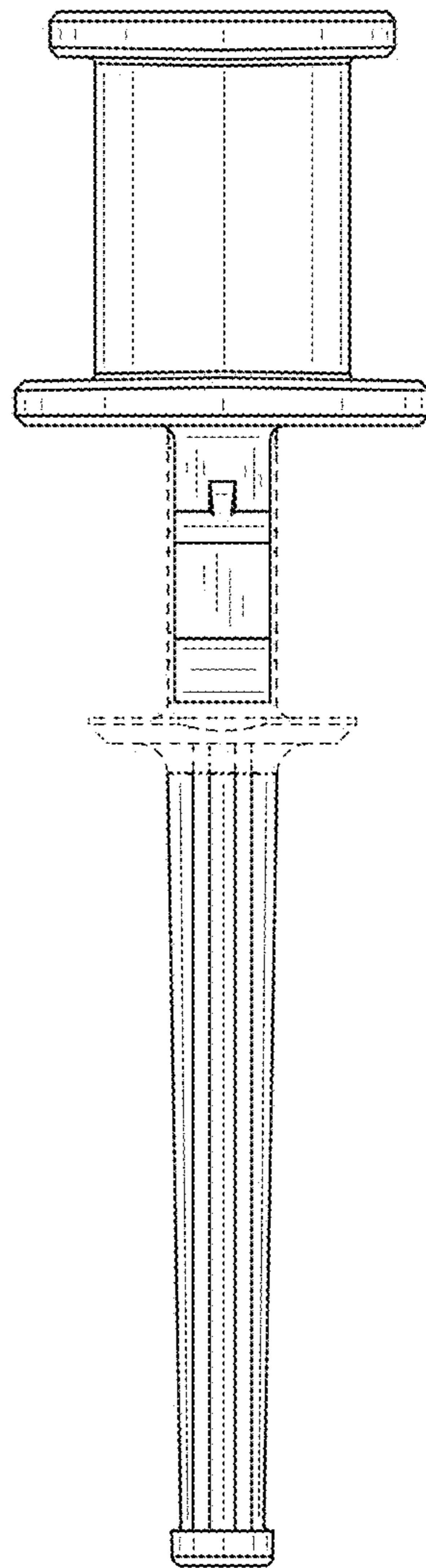




FIG.11

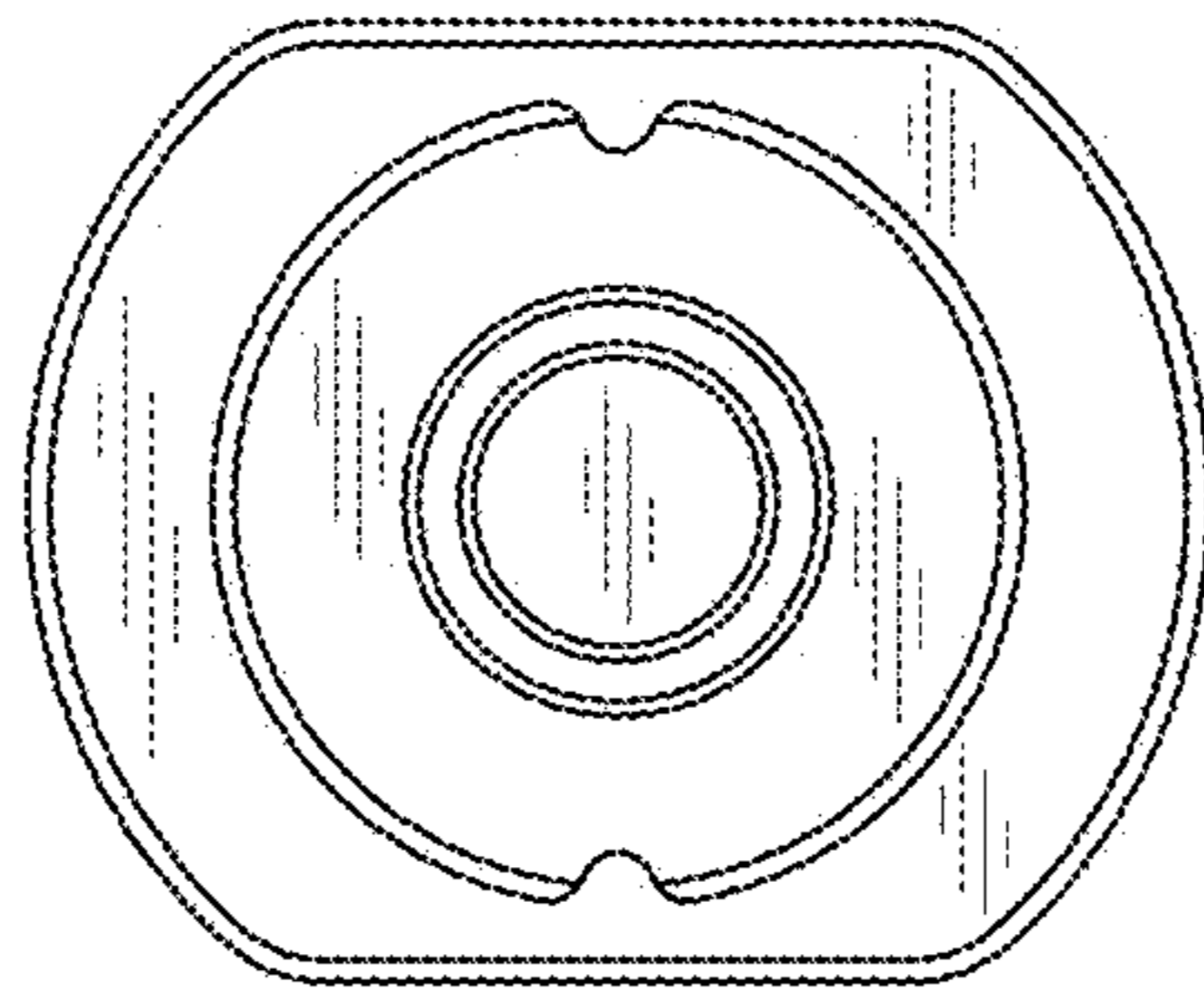


FIG.12

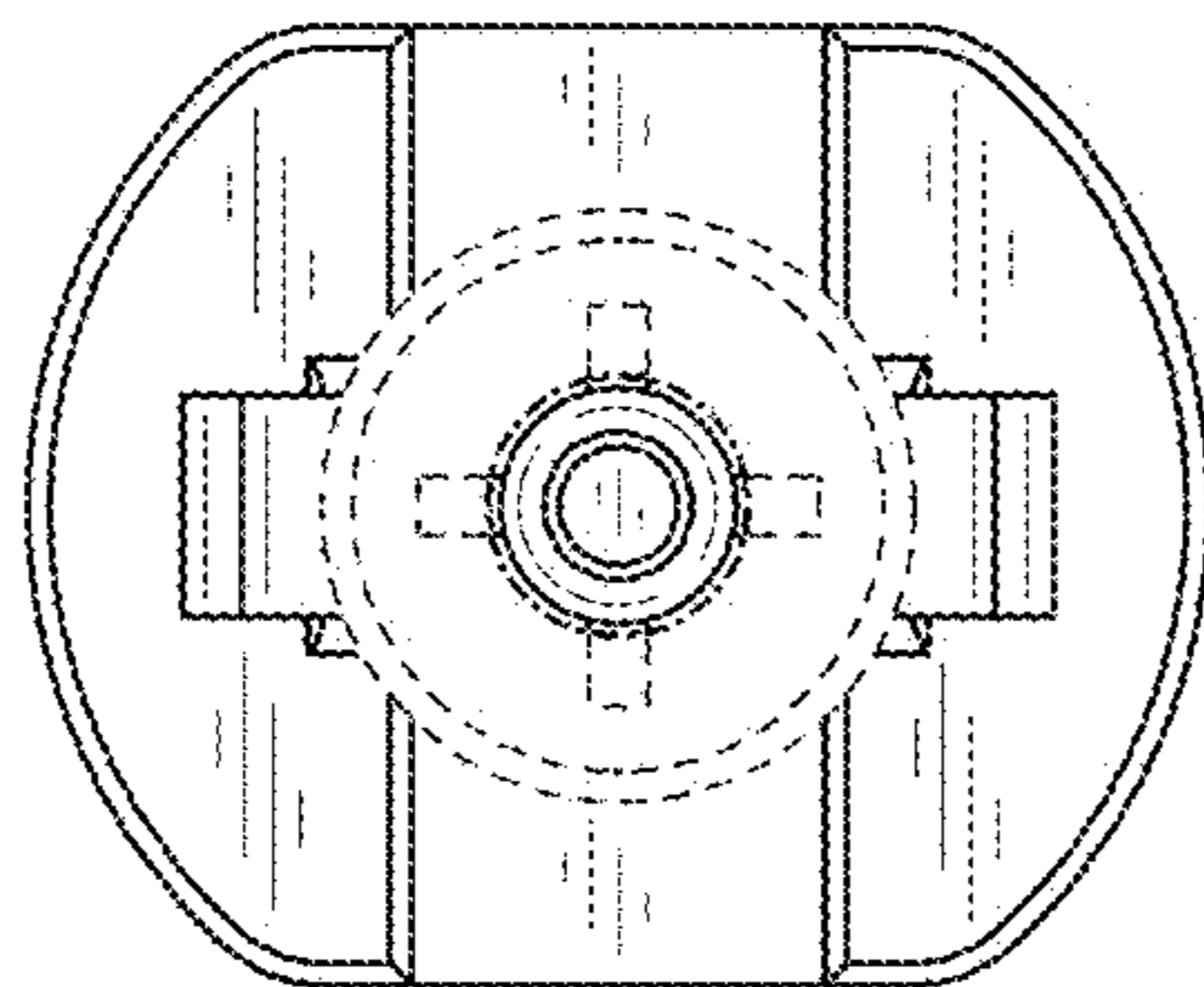


FIG.13

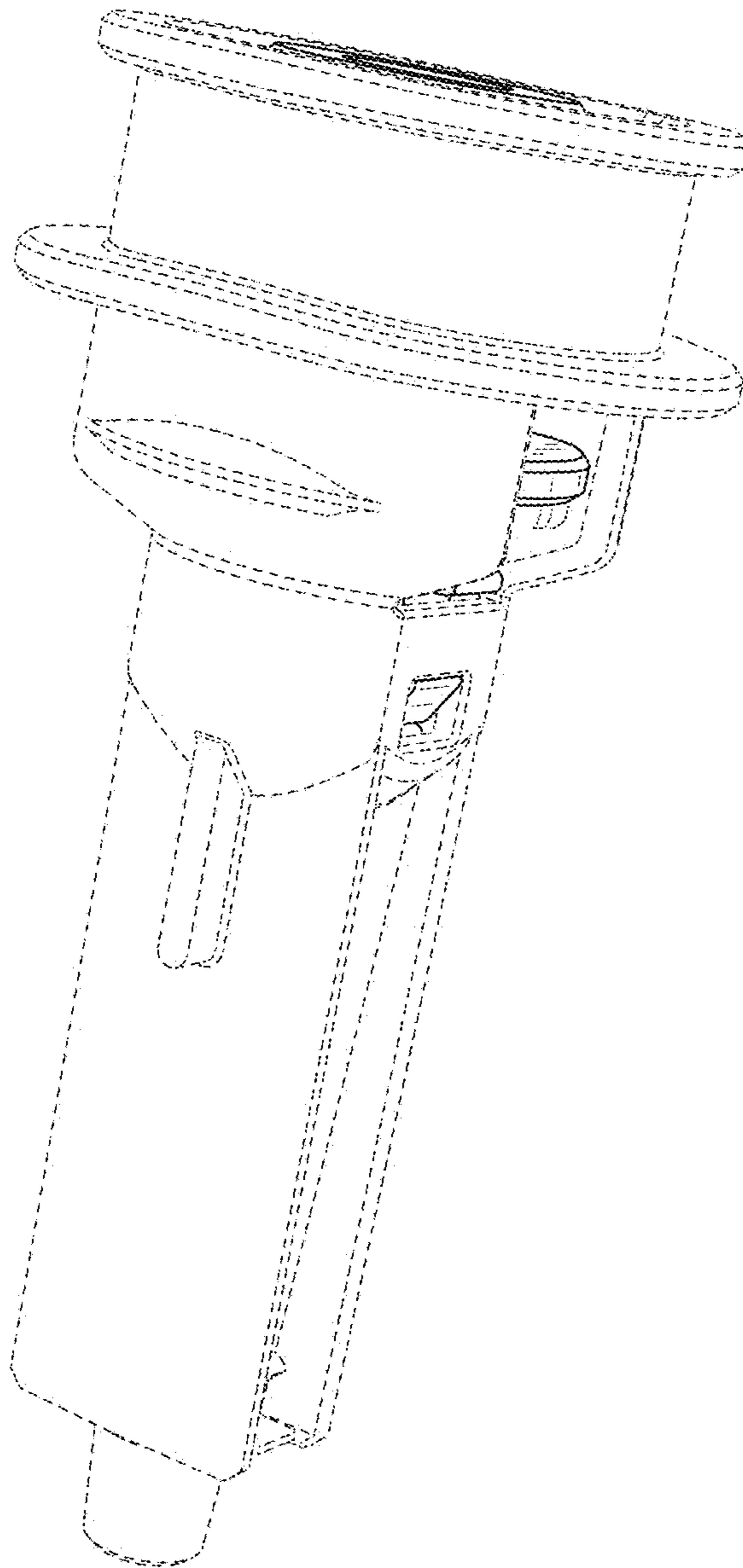


FIG.14

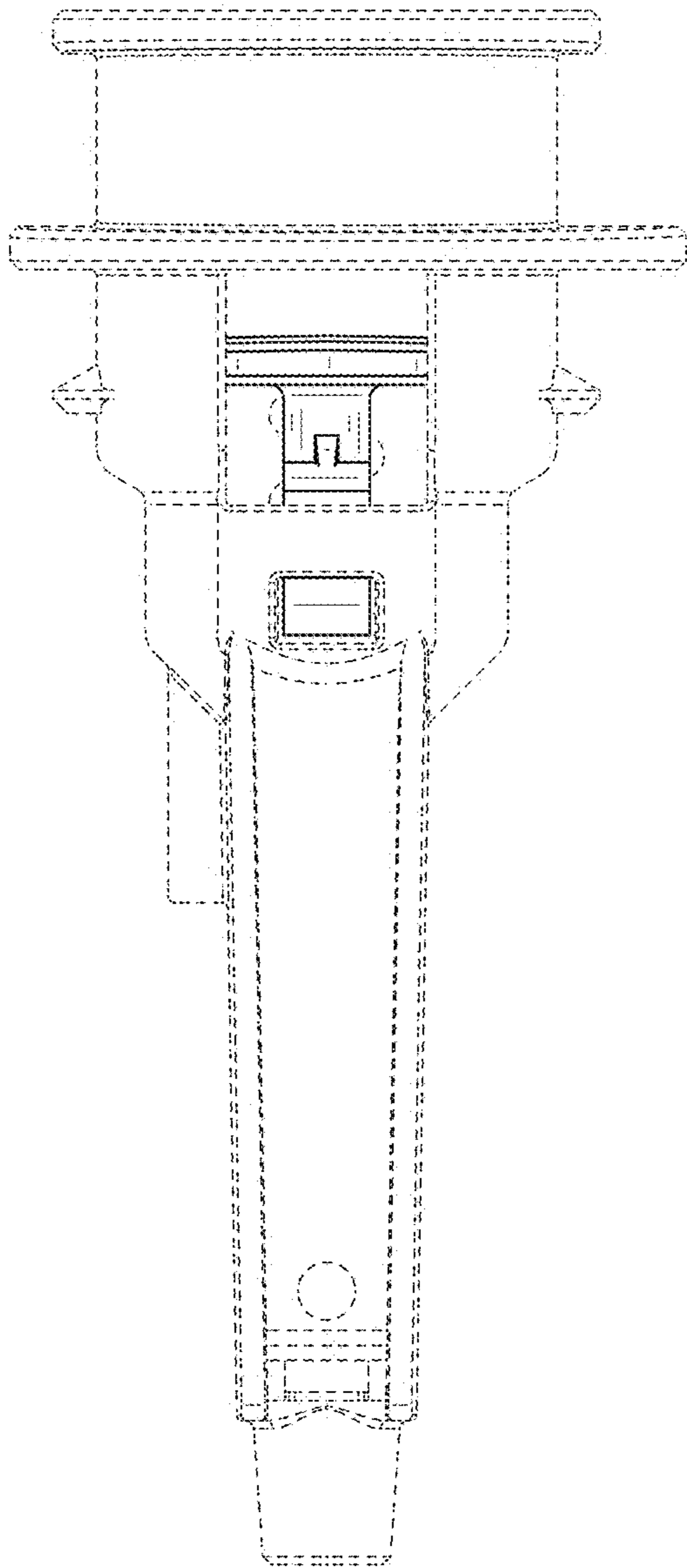


FIG.15

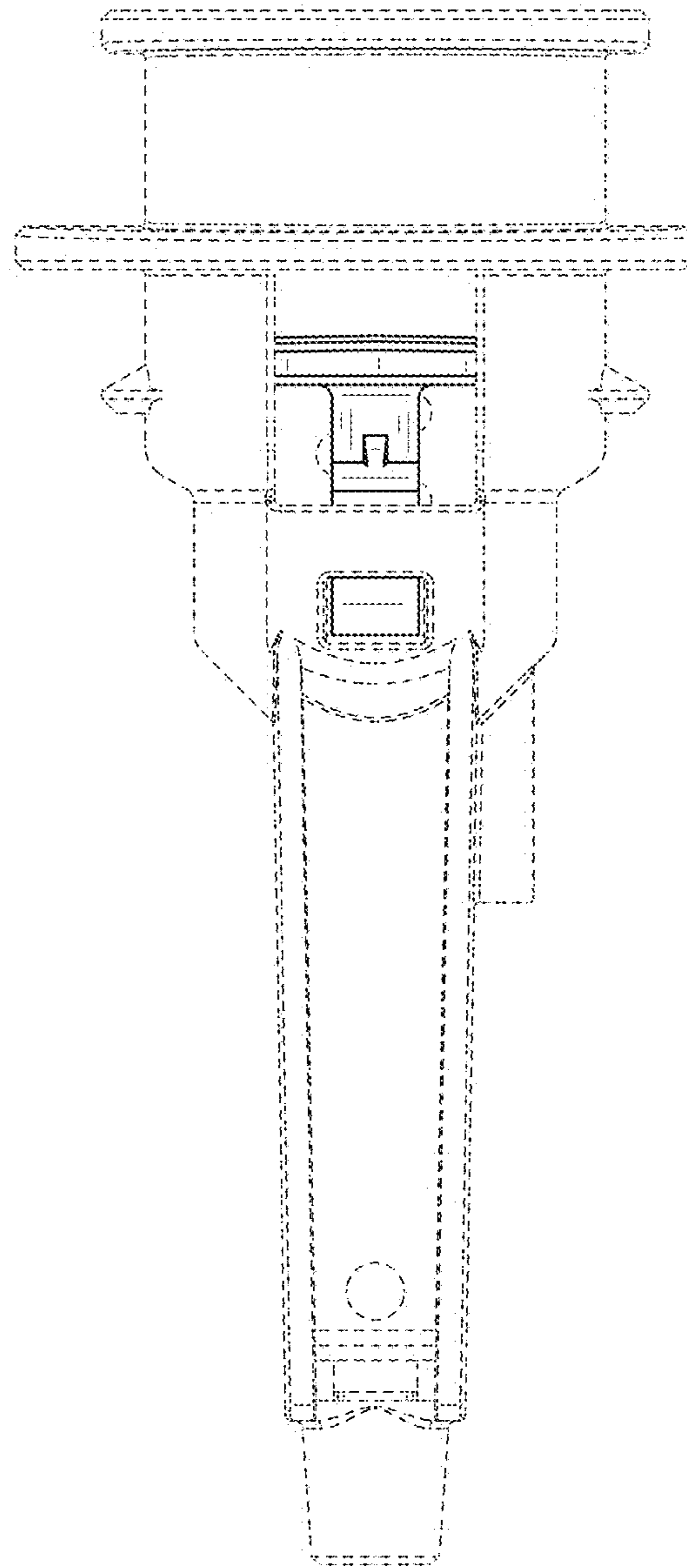


FIG. 16

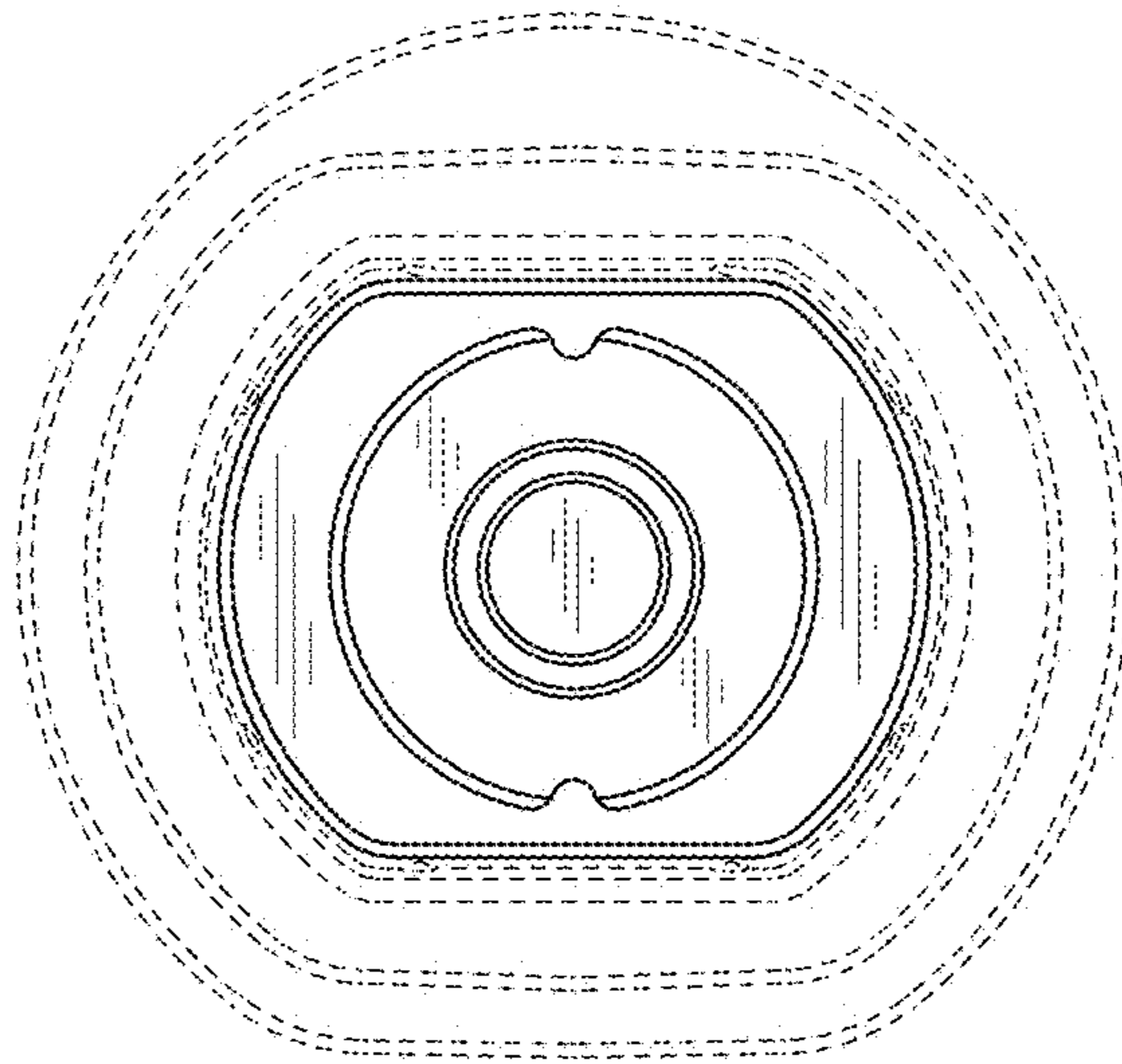


FIG. 17

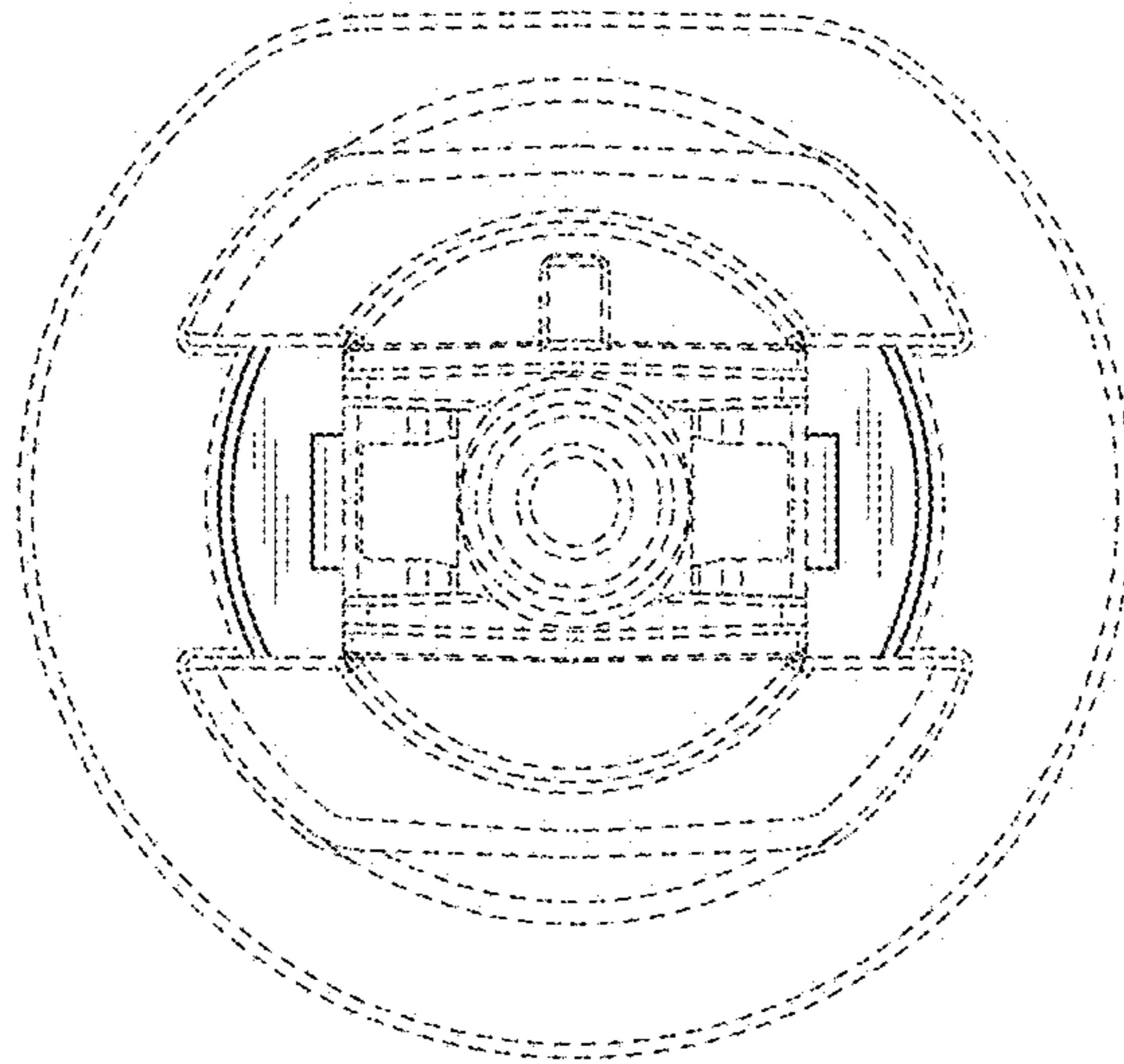


FIG.18

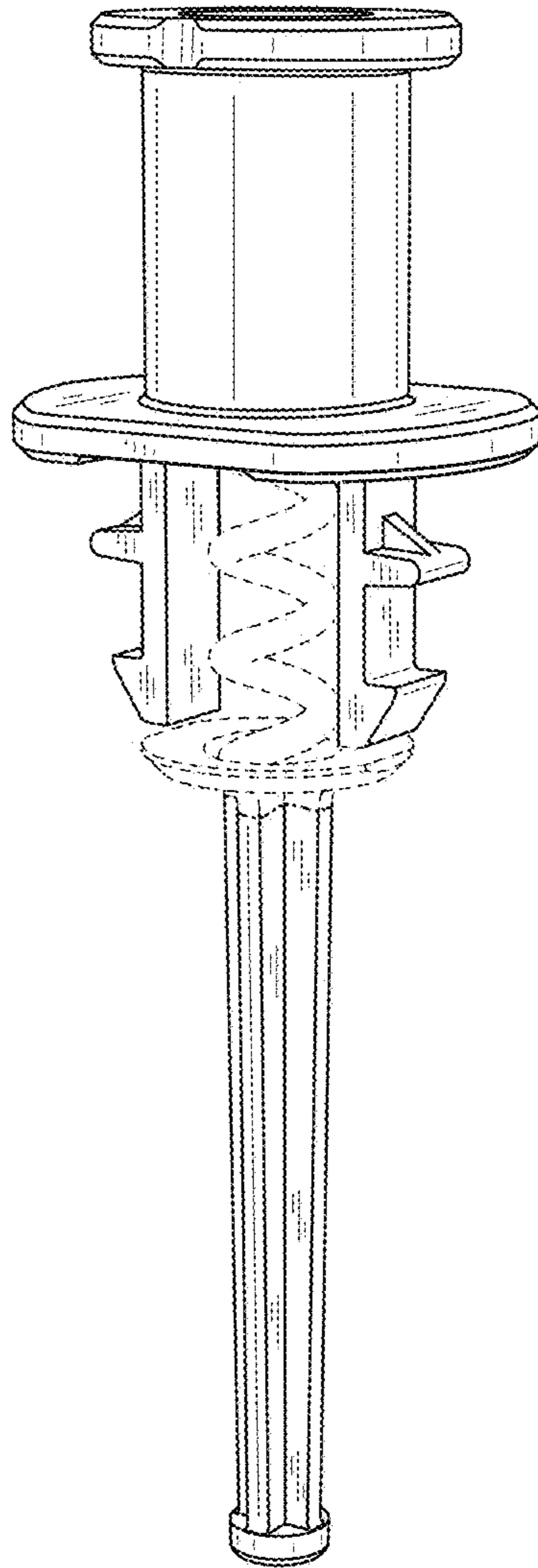


FIG.19

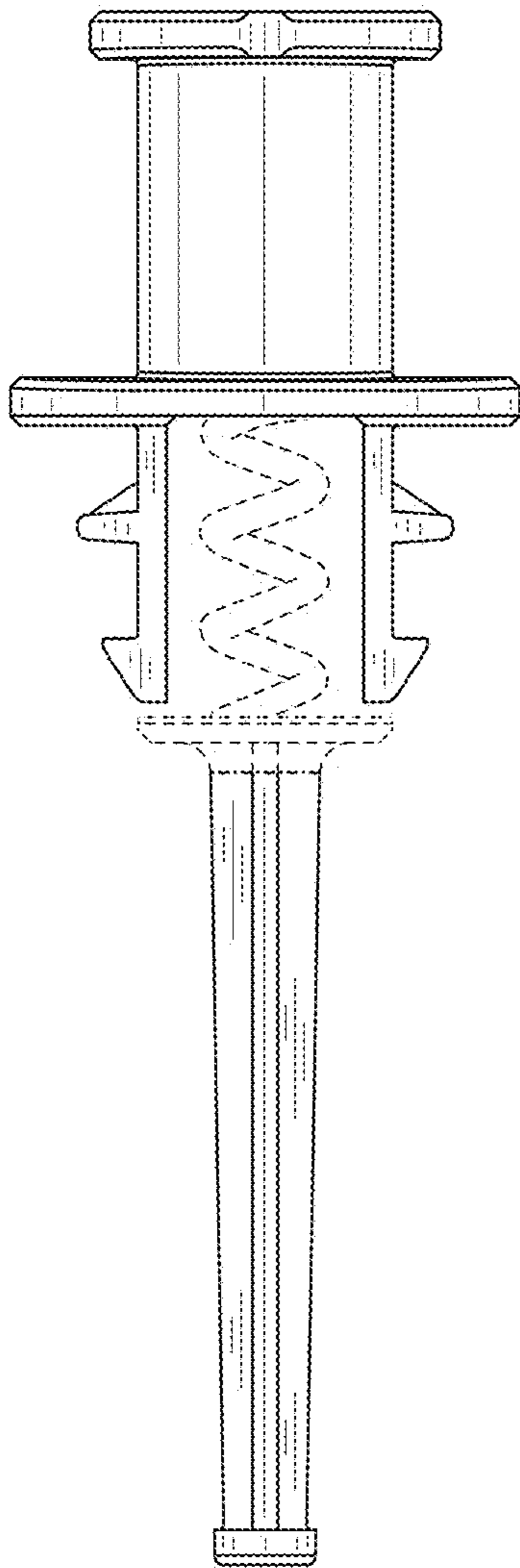


FIG.20

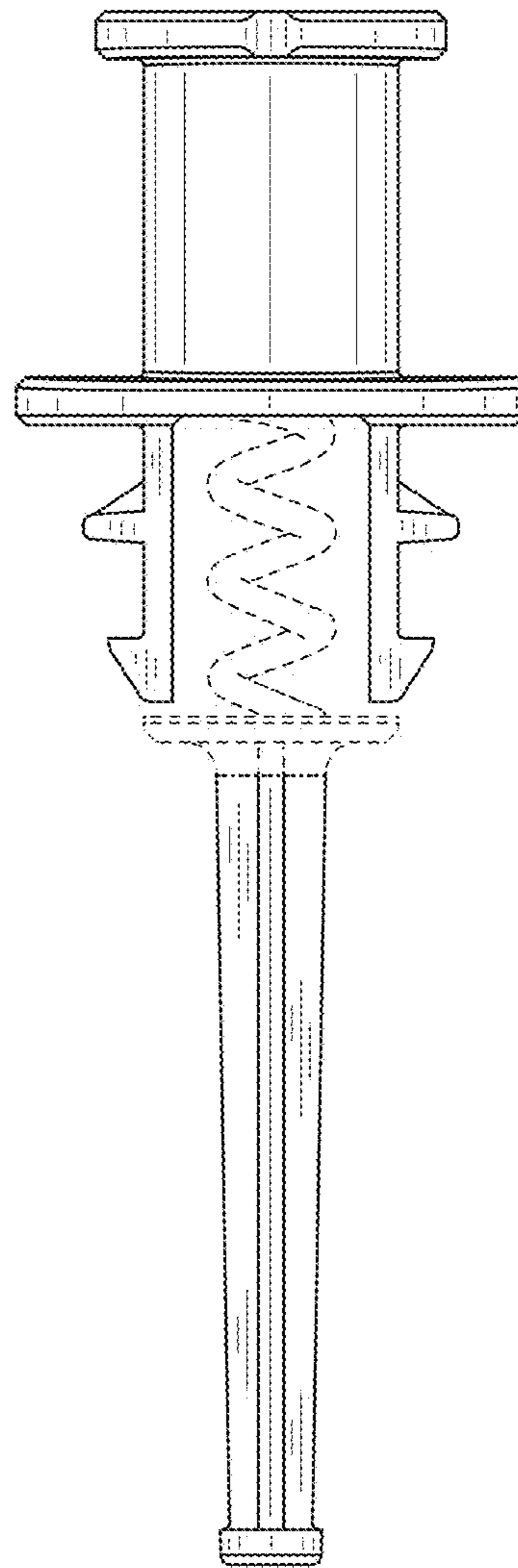


FIG.21

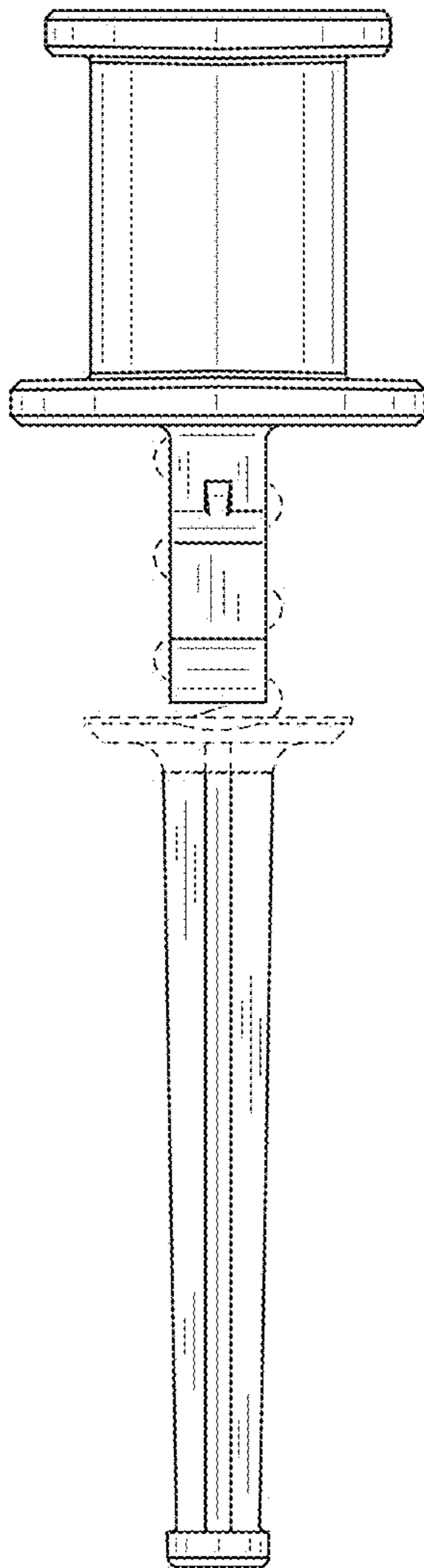


FIG.22

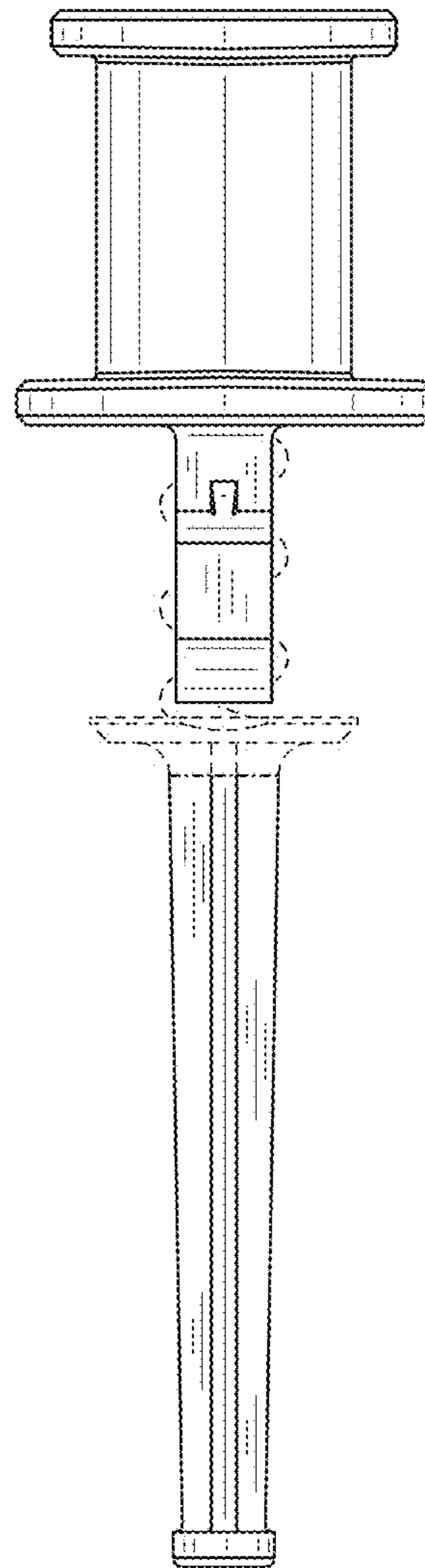


FIG.23

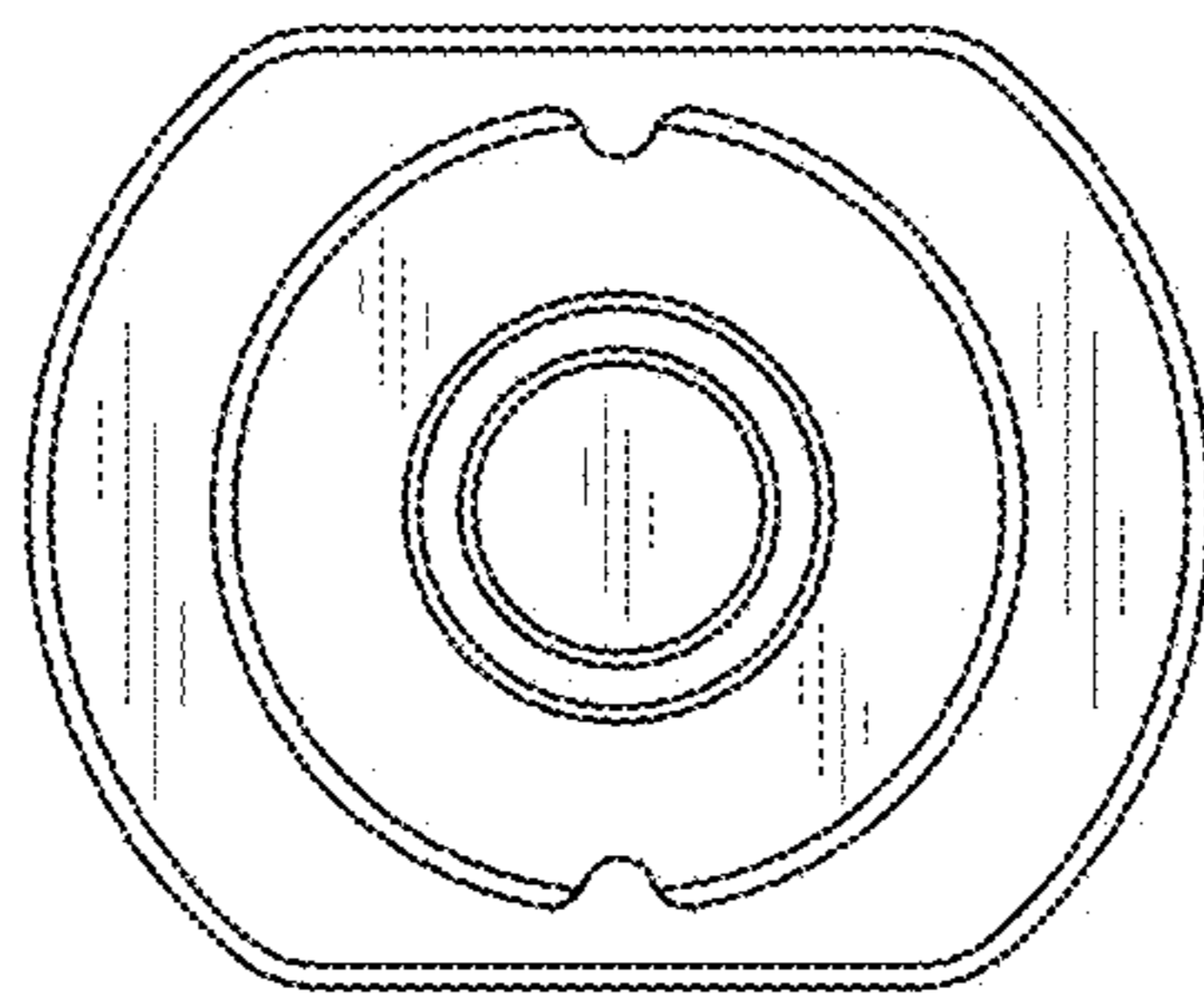


FIG.24

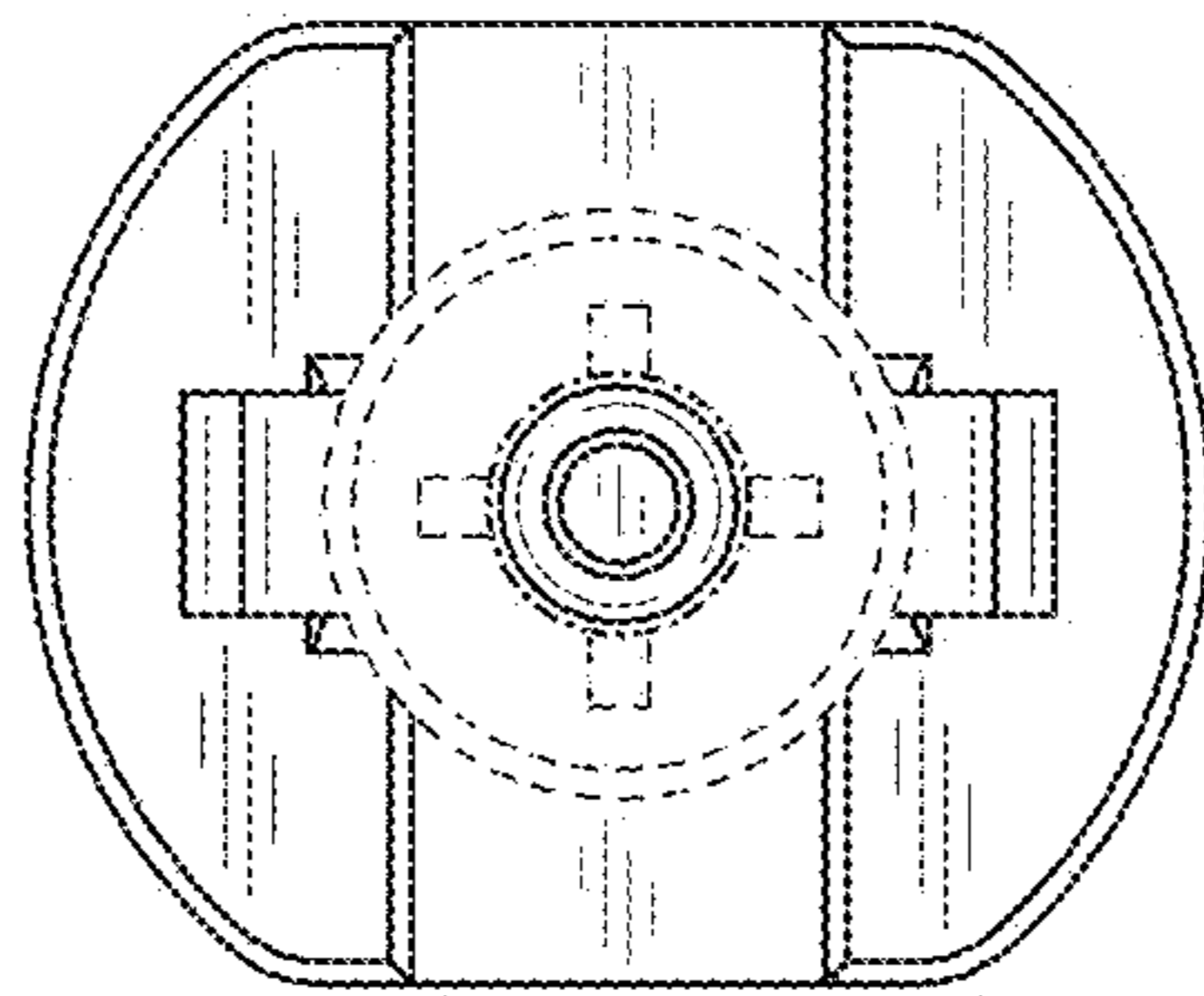




FIG.25

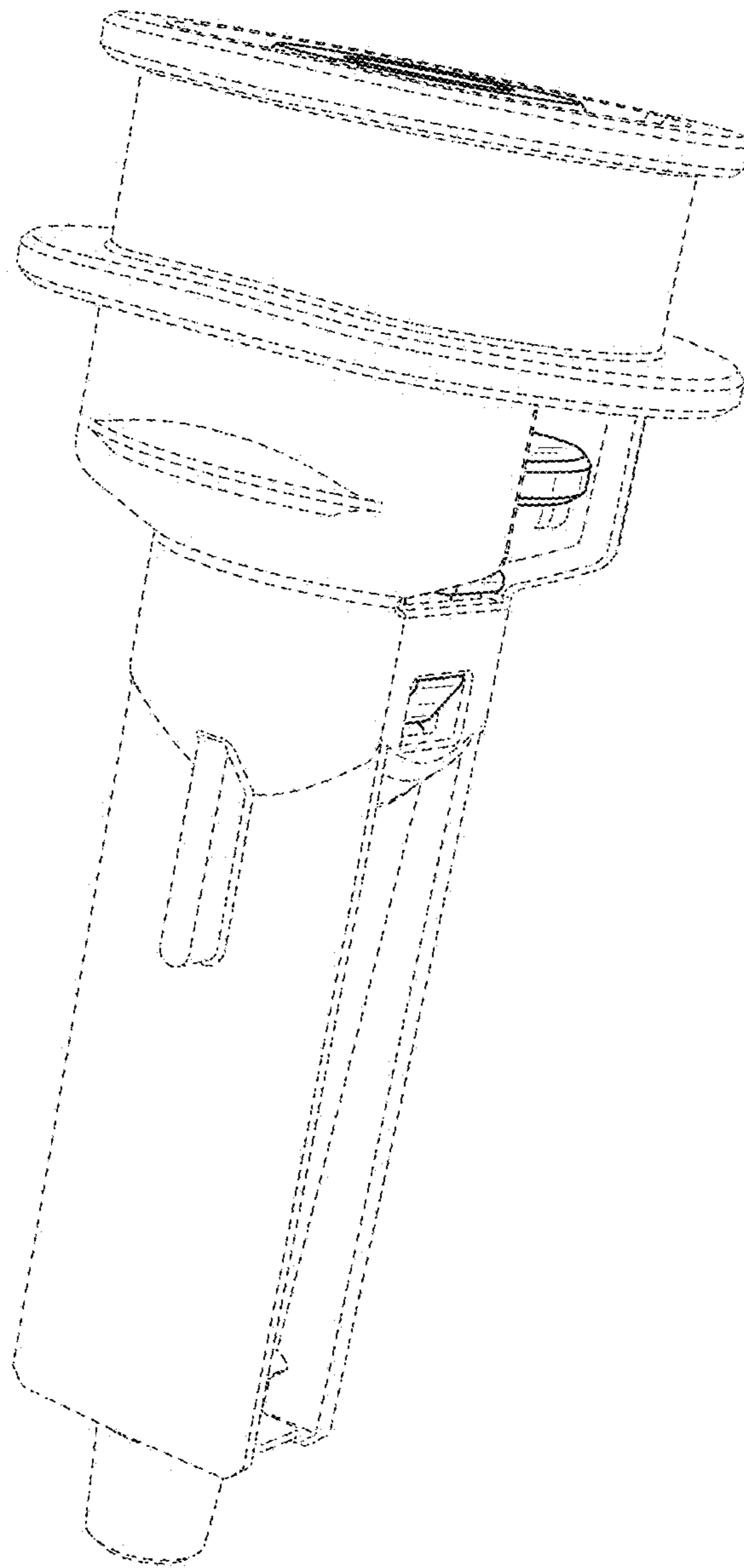


FIG.26

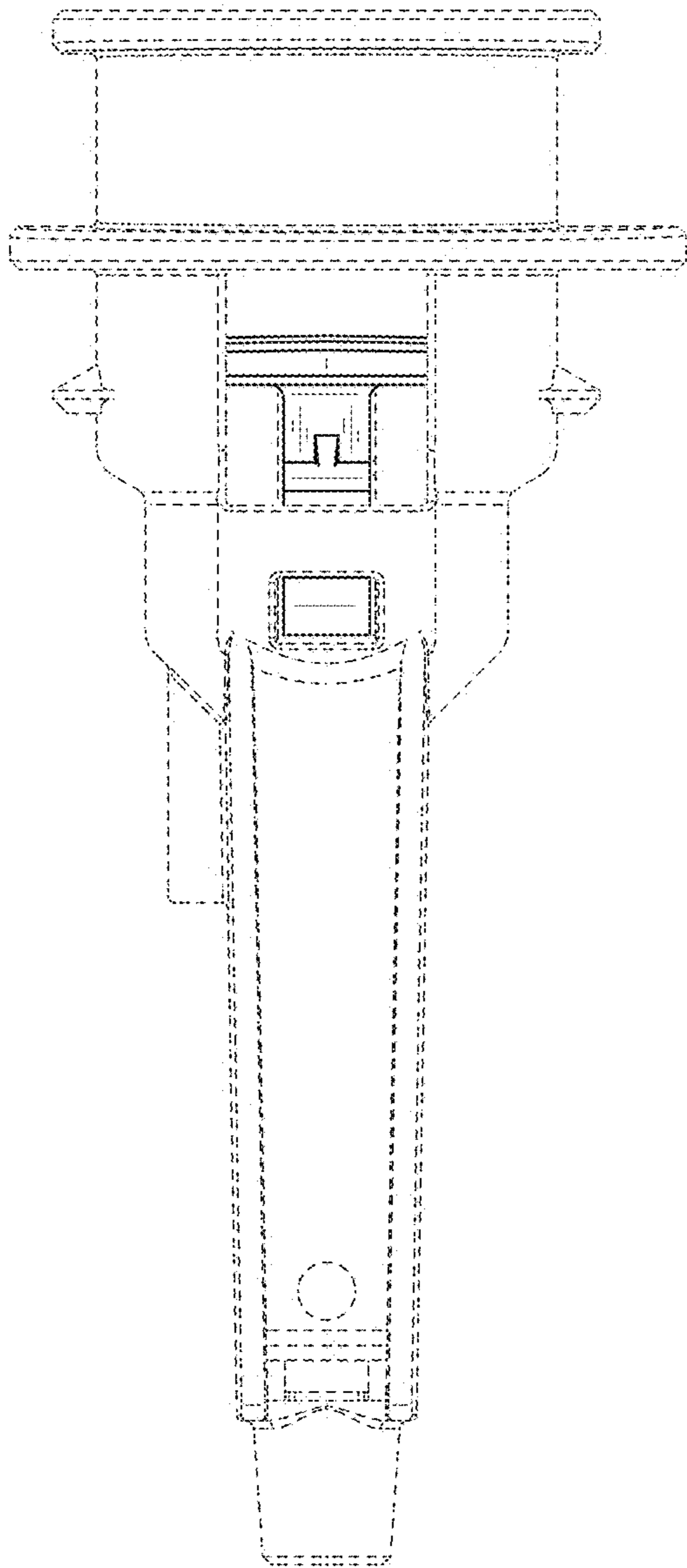


FIG.27

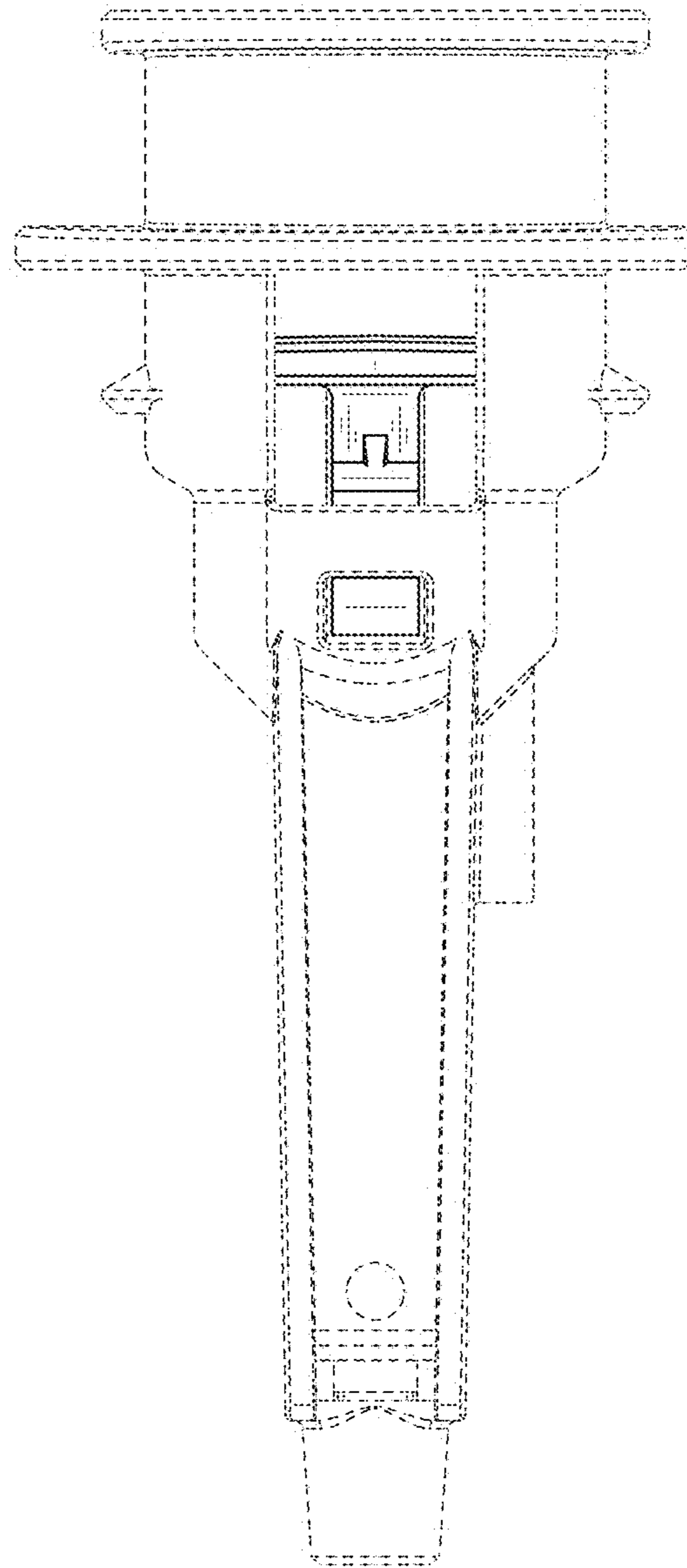


FIG.28

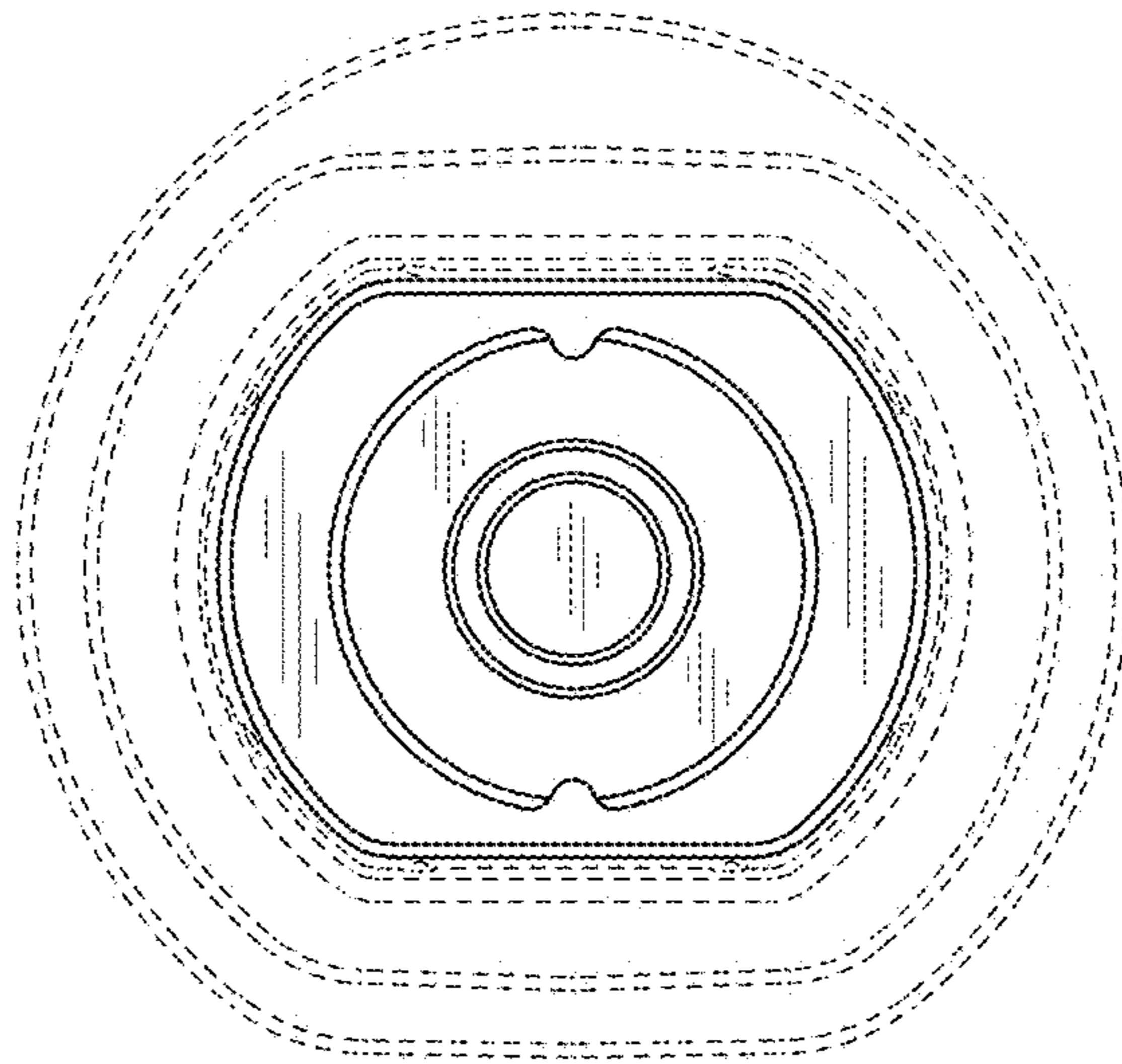


FIG.29

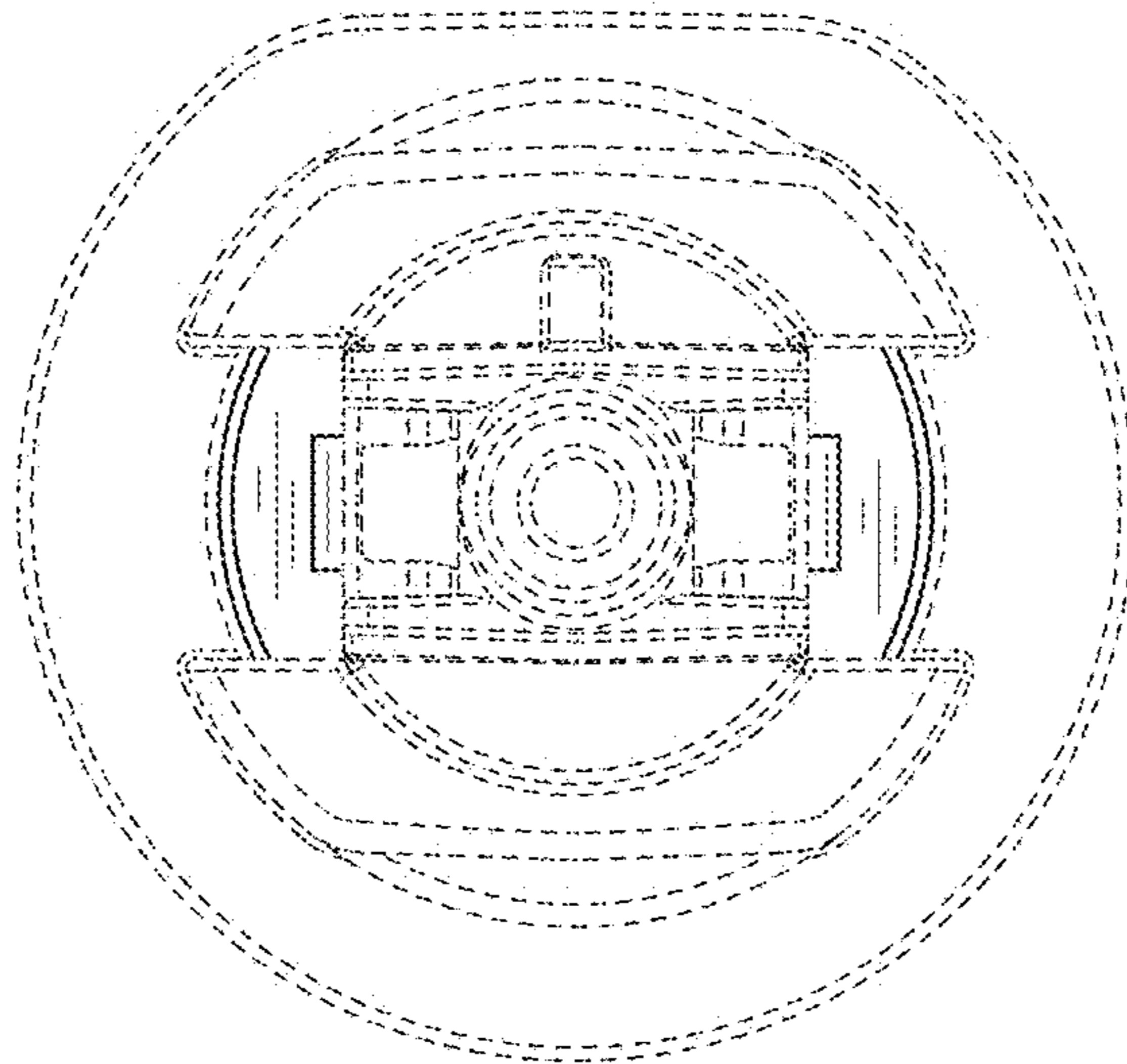


FIG.30

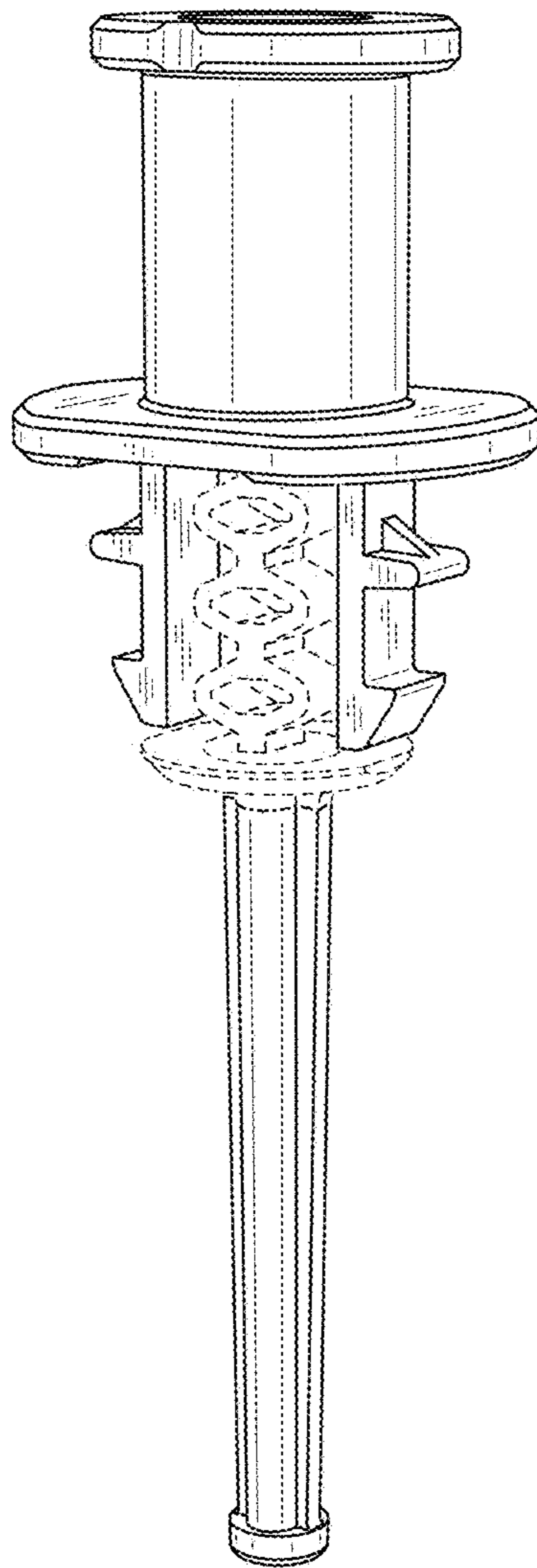


FIG.31

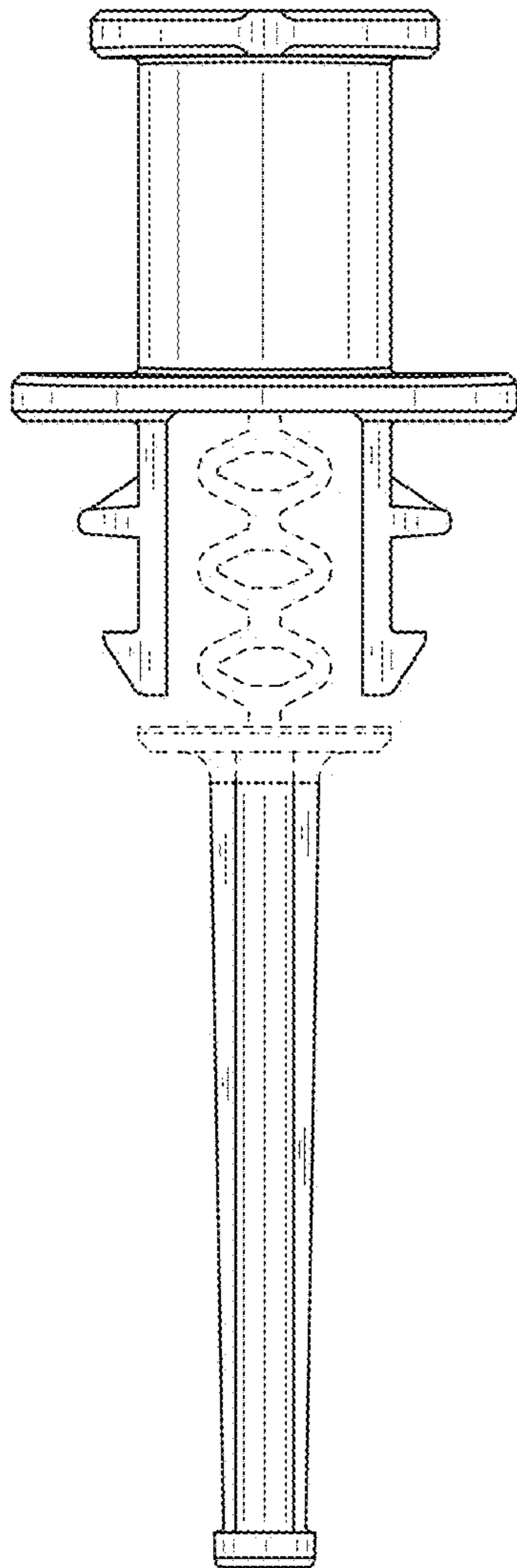


FIG.32

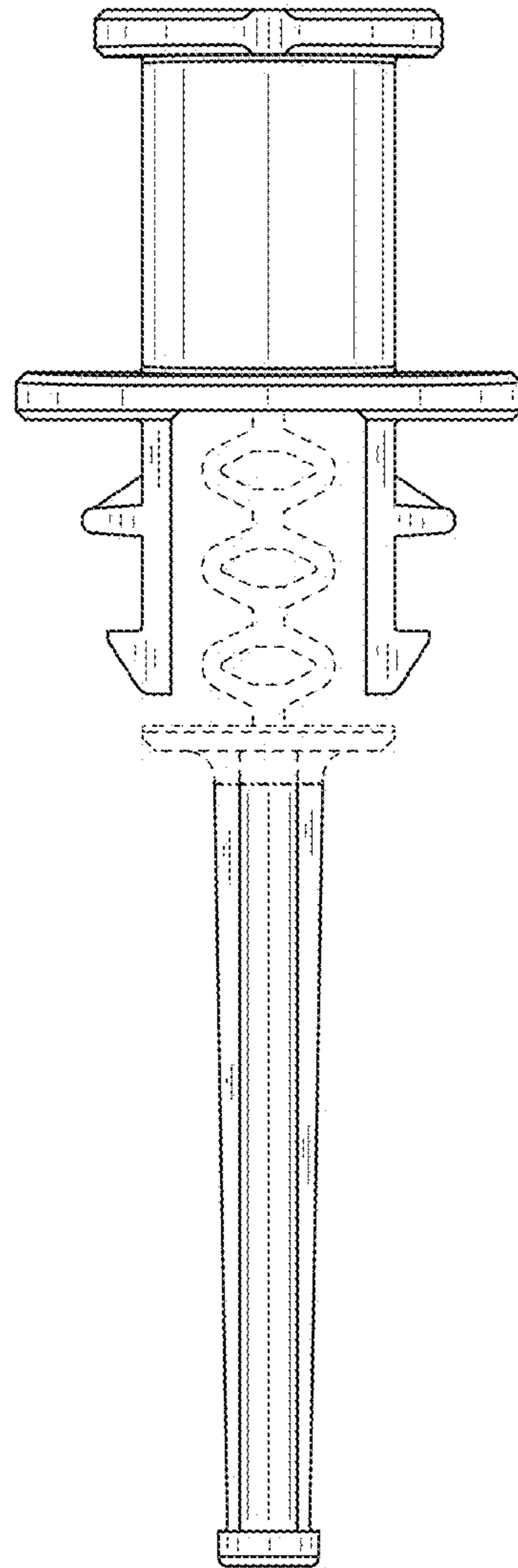


FIG.33

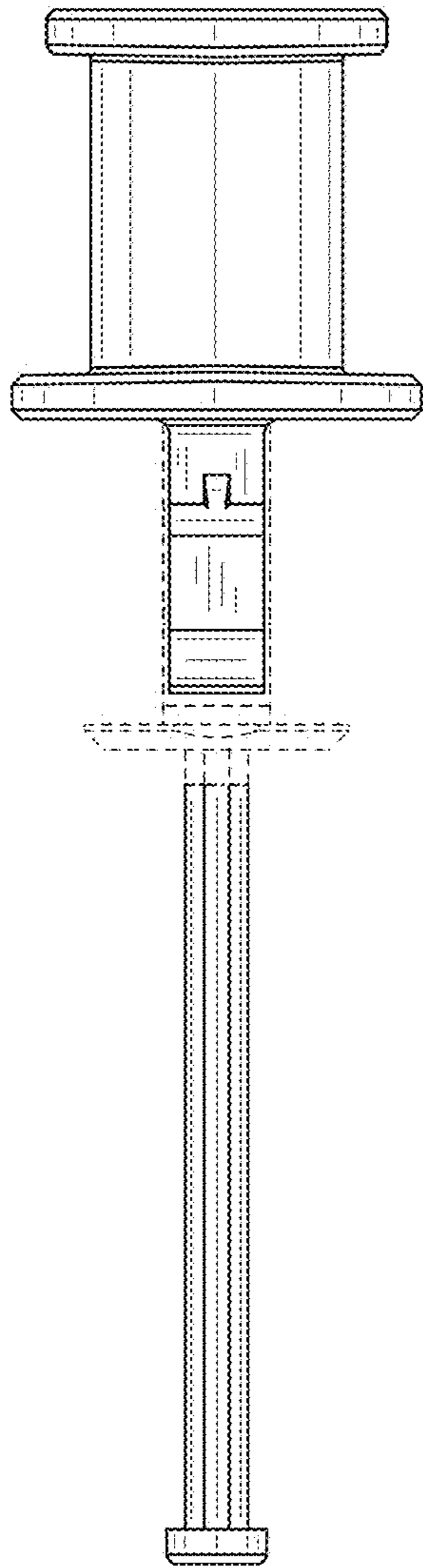


FIG.34

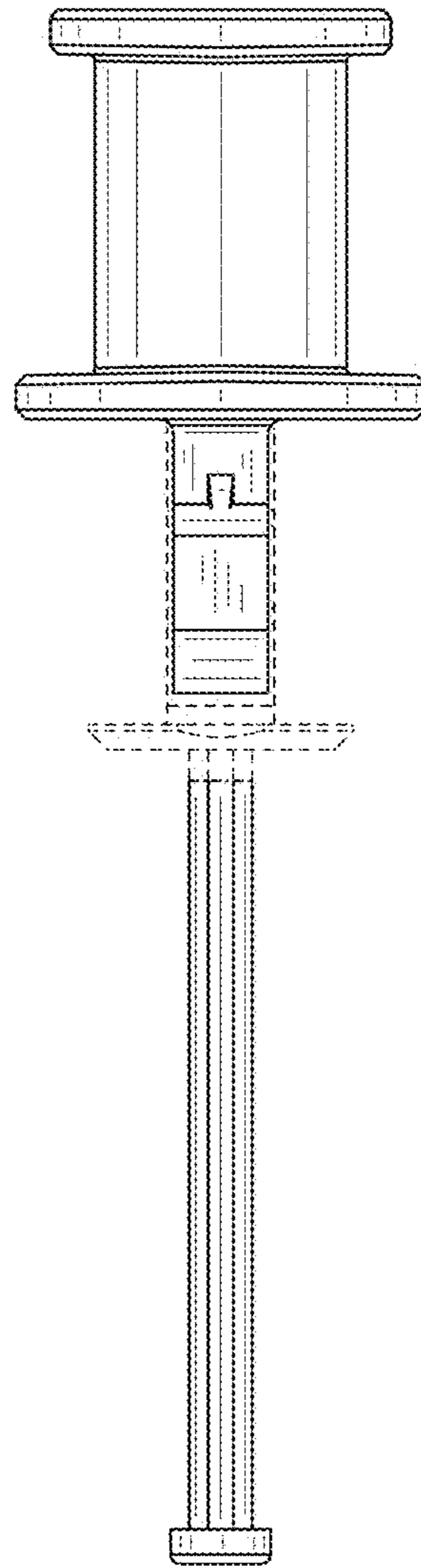


FIG.35

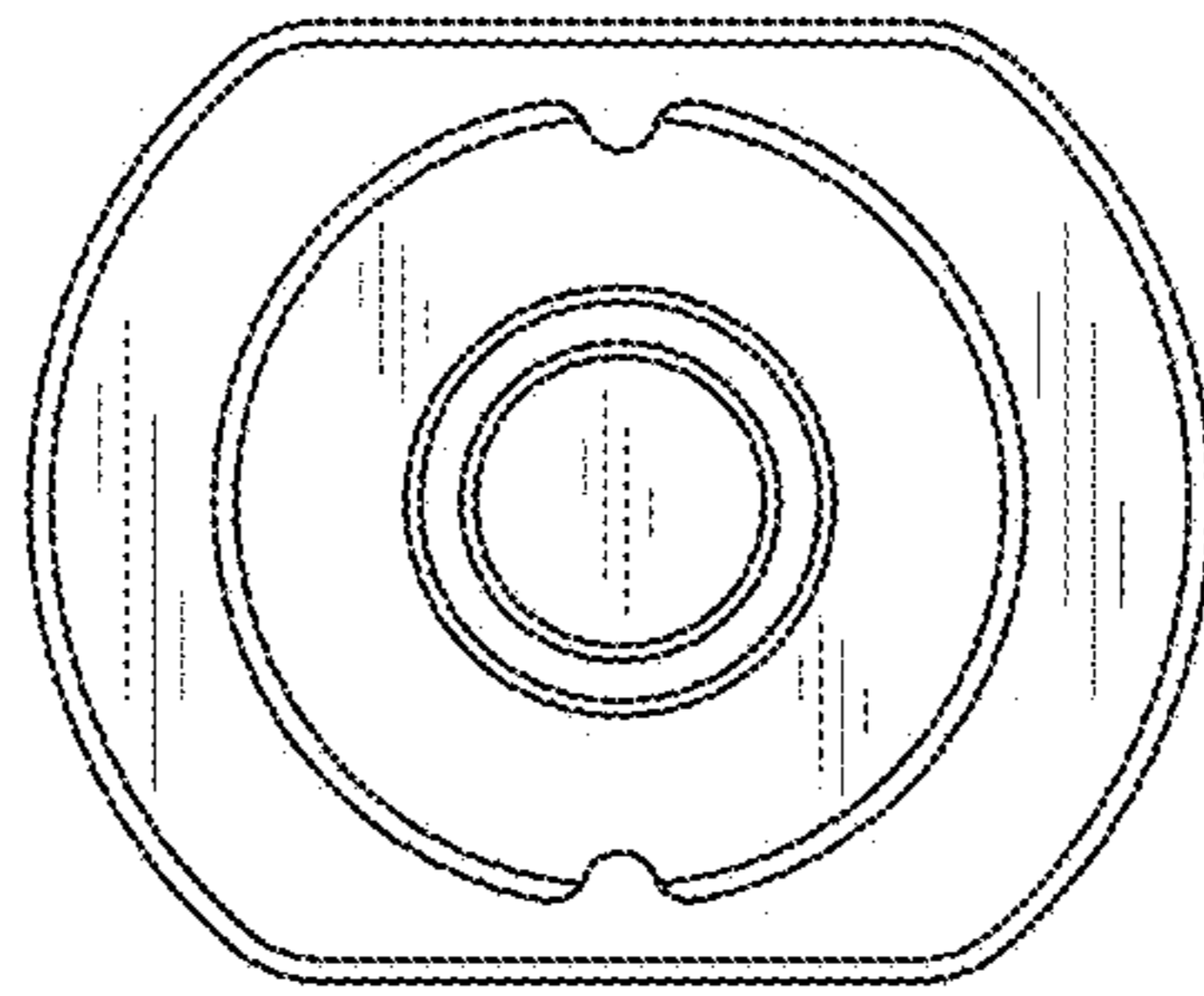


FIG.36

