



US00D907761S

(12) **United States Design Patent** (10) **Patent No.:** **US D907,761 S**
Dorel et al. (45) **Date of Patent:** **** Jan. 12, 2021**

(54) **DIAGNOSTIC APPARATUS FOR MEDICAL OR LABORATORY USE**

(71) Applicant: **Lunaphore Technologies SA**, Lausanne (CH)

(72) Inventors: **Emmanuel Dorel**, Lausanne (CH);
Déborah Heintze, Lausanne (CH);
Marco Ammann, Lausanne (CH); **Amy Jones**, Chavannes-de-Bogis (CH);
Pierre Joris, Lausanne (CH)

(**) Term: **15 Years**

(21) Appl. No.: **35/506,917**

(22) Filed: **Dec. 13, 2018**

(80) **Hague Agreement Data**

Int. Filing Date: **Dec. 13, 2018**

Int. Reg. No.: **DM/201347**

Int. Reg. Date: **Dec. 13, 2018**

Int. Reg. Pub. Date: **Jun. 14, 2019**

(51) **LOC (13) Cl.** **24-01**

(52) **U.S. Cl.**

USPC **D24/107**

(58) **Field of Classification Search**

USPC D24/107, 185, 186, 216, 231, 232;
D10/81; 210/101, 198.2, 635, 656, 659;
73/61.52, 61.55; 436/43, 45; 422/63, 67,
422/68.1, 70, 81, 500, 509

CPC G01N 2035/00306; G01N 2035/00326;
G01N 2035/00336; G01N 2030/027;
G01N 21/76

See application file for complete search history.

(56) **References Cited**

U.S. PATENT DOCUMENTS

D298,455 S	*	11/1988	Giove	D24/107
D490,516 S	*	5/2004	Takahashi	D24/107
D728,776 S	*	5/2015	Rogers	D24/107
D740,956 S	*	10/2015	Oonuma	D24/216
D767,782 S	*	9/2016	Cao	D24/216
D849,264 S	*	5/2019	Masuda	D24/216
D854,703 S	*	7/2019	Juhlin	D24/216
D868,236 S	*	11/2019	Frampton	D24/107
D868,957 S	*	12/2019	Chase	D24/107
D872,297 S	*	1/2020	Zhou	D24/216
D872,870 S	*	1/2020	Thompson	D24/216
D874,677 S	*	2/2020	Stamm	D24/216

* cited by examiner

Primary Examiner — Samantha Q Lawrence

(57) **CLAIM**

The ornamental design for a diagnostic apparatus for medical or laboratory use, as shown and described.

DESCRIPTION

Figure 1.1 is a perspective view of a diagnostic apparatus for medical or laboratory use;

Figure 1.2 is another perspective view thereof;

Figure 1.3 is a front view thereof;

Figure 1.4 is a rear view thereof;

Figure 1.5 is a top view thereof;

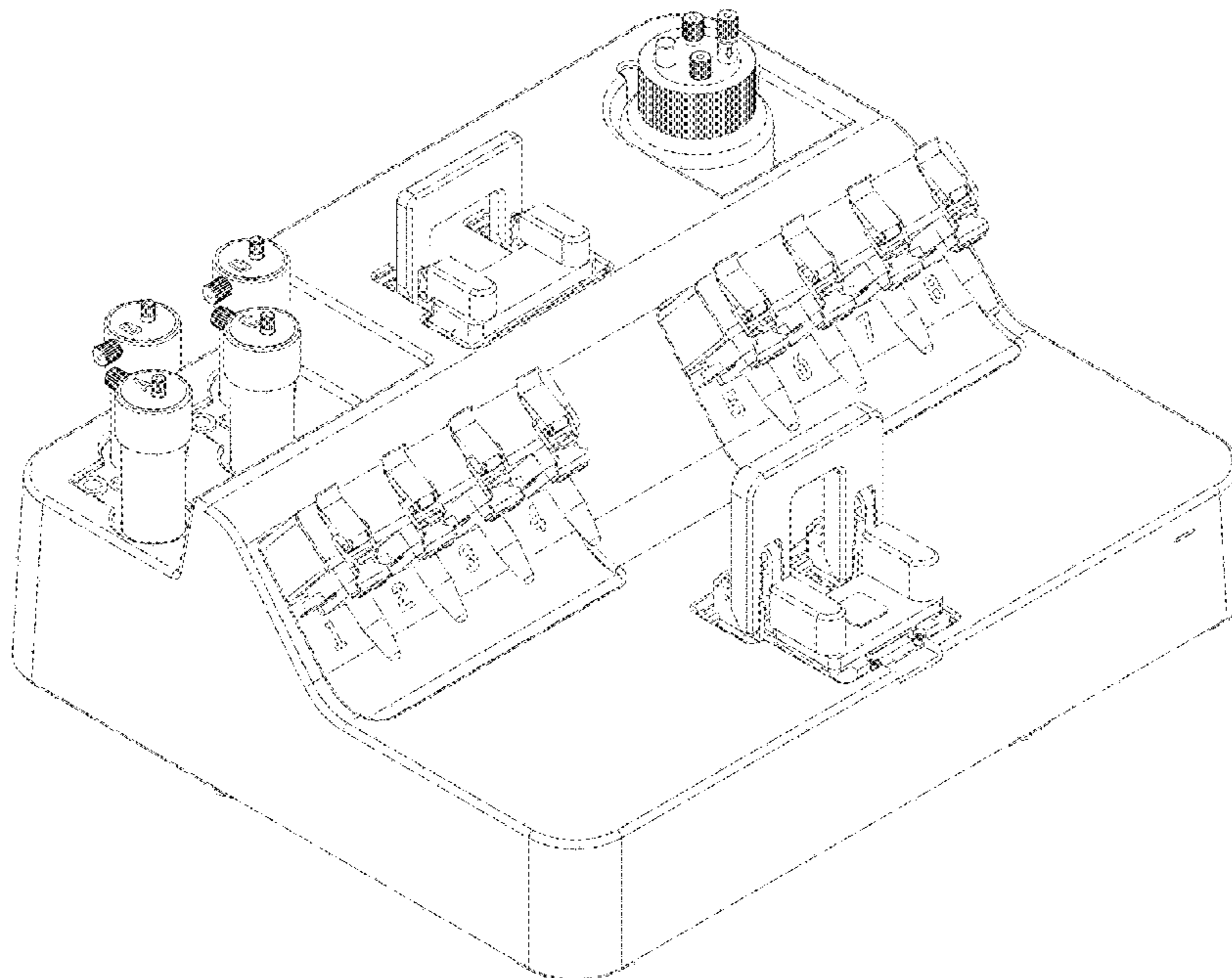
Figure 1.6 is a hoiiorrn view thereof;

Figure 1.7 is a side view thereof; and

Figure 1.8 is another side view thereof.

The broken lines and broken line areas shown in Figures 1.1-1.8 illustrate portions of the diagnostic apparatus for medical or laboratory use that form no part of the claimed design.

1 Claim, 6 Drawing Sheets



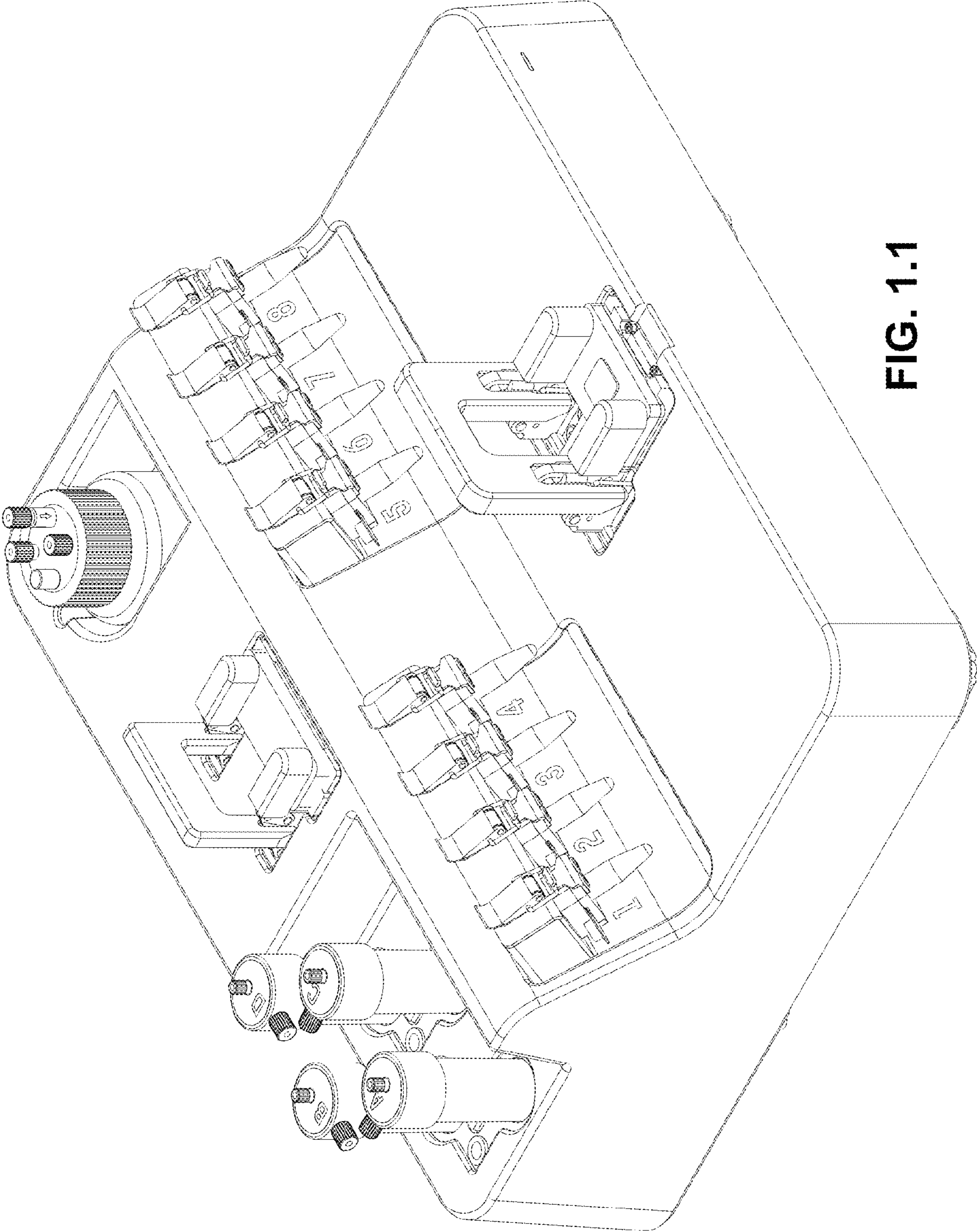


FIG. 1.1

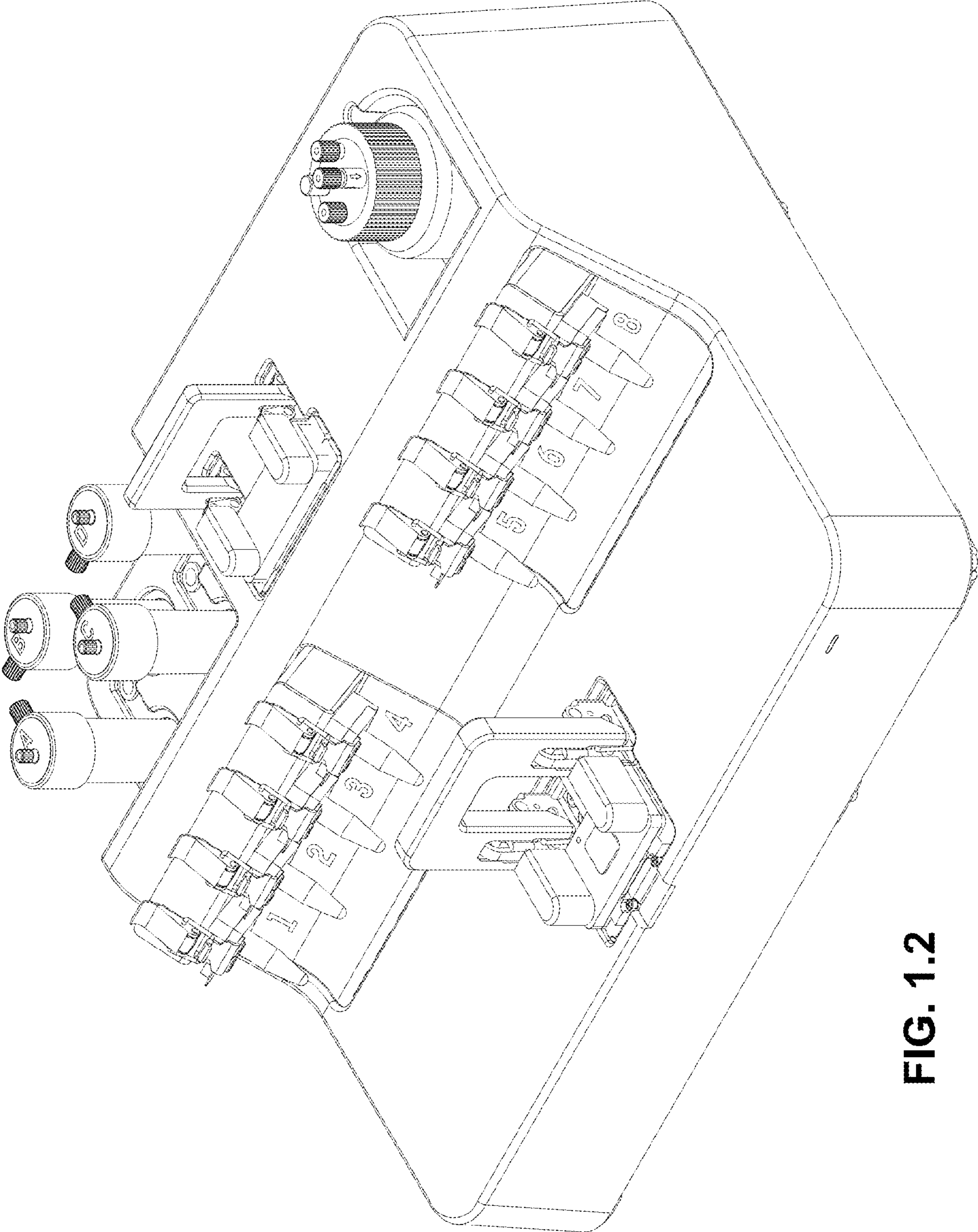


FIG. 1.2

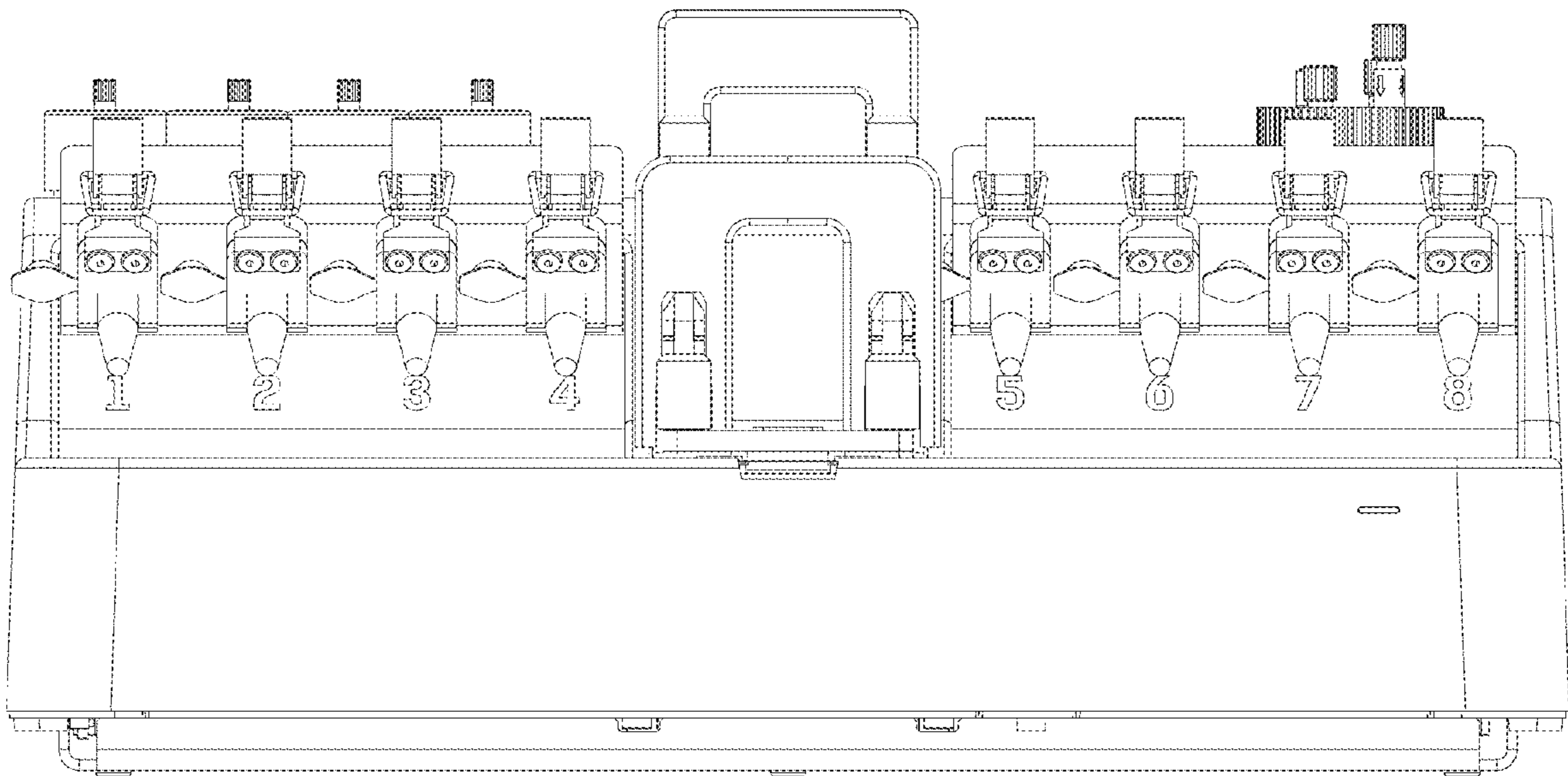


FIG. 1.3

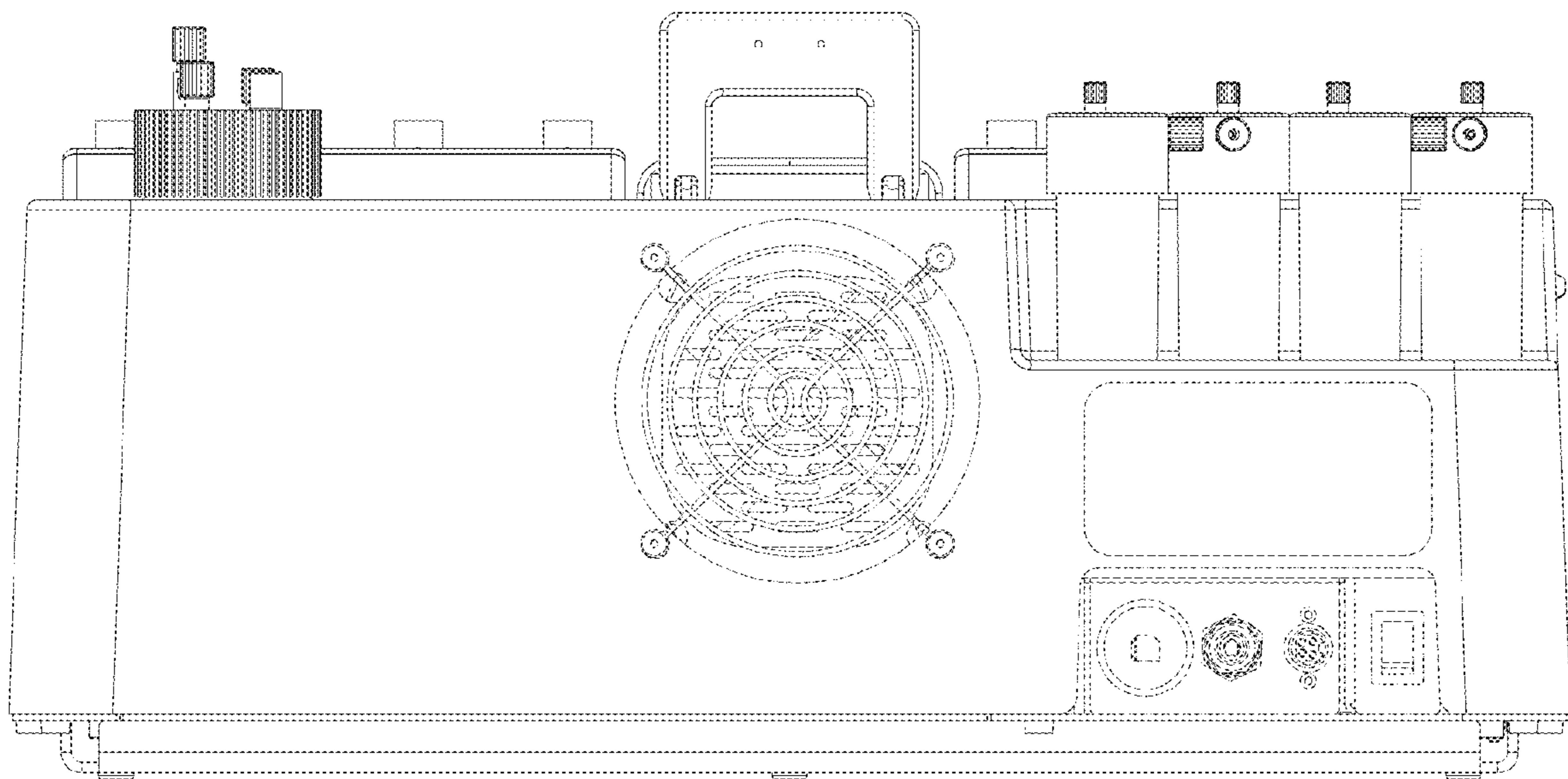


FIG. 1.4

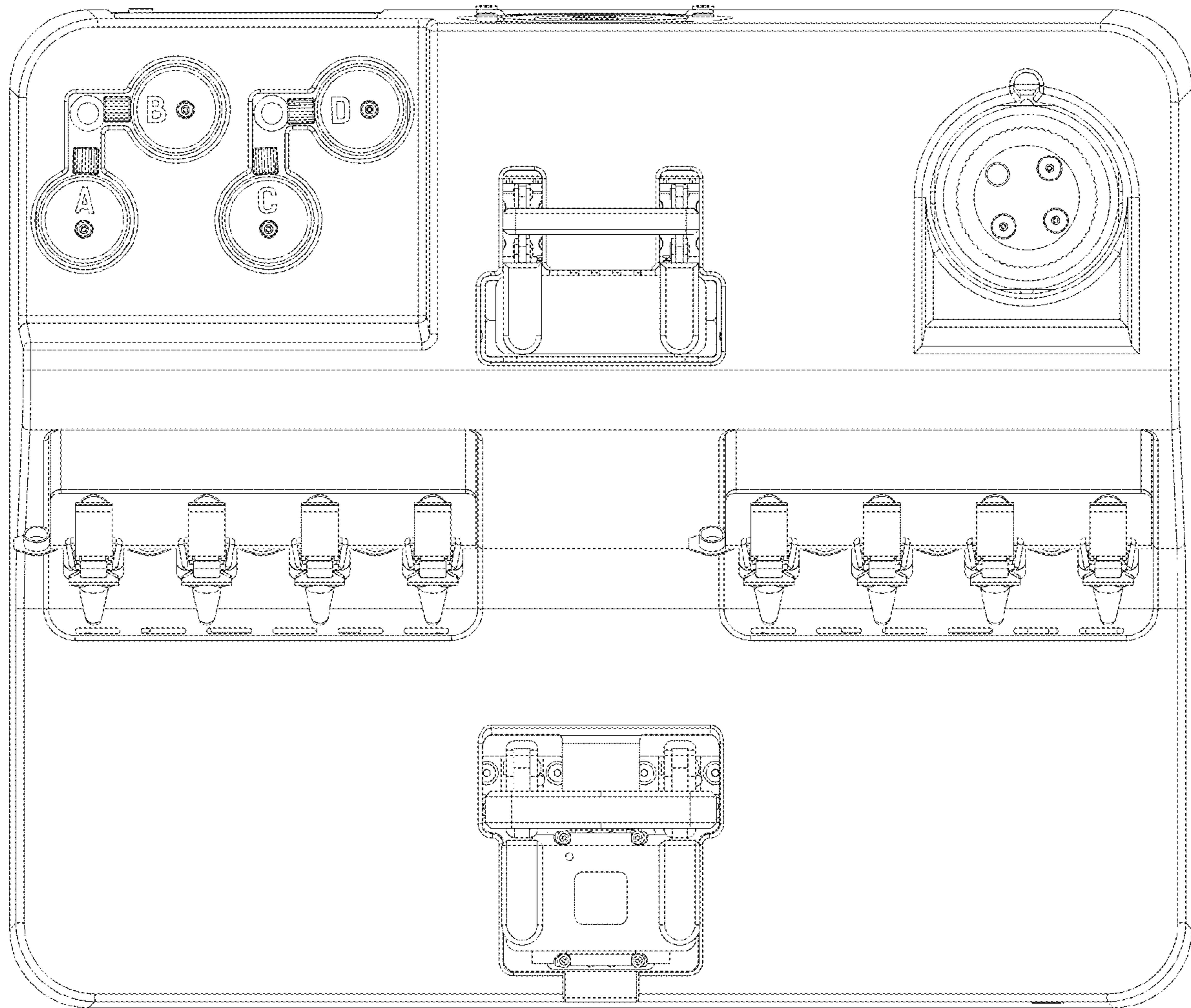


FIG. 1.5

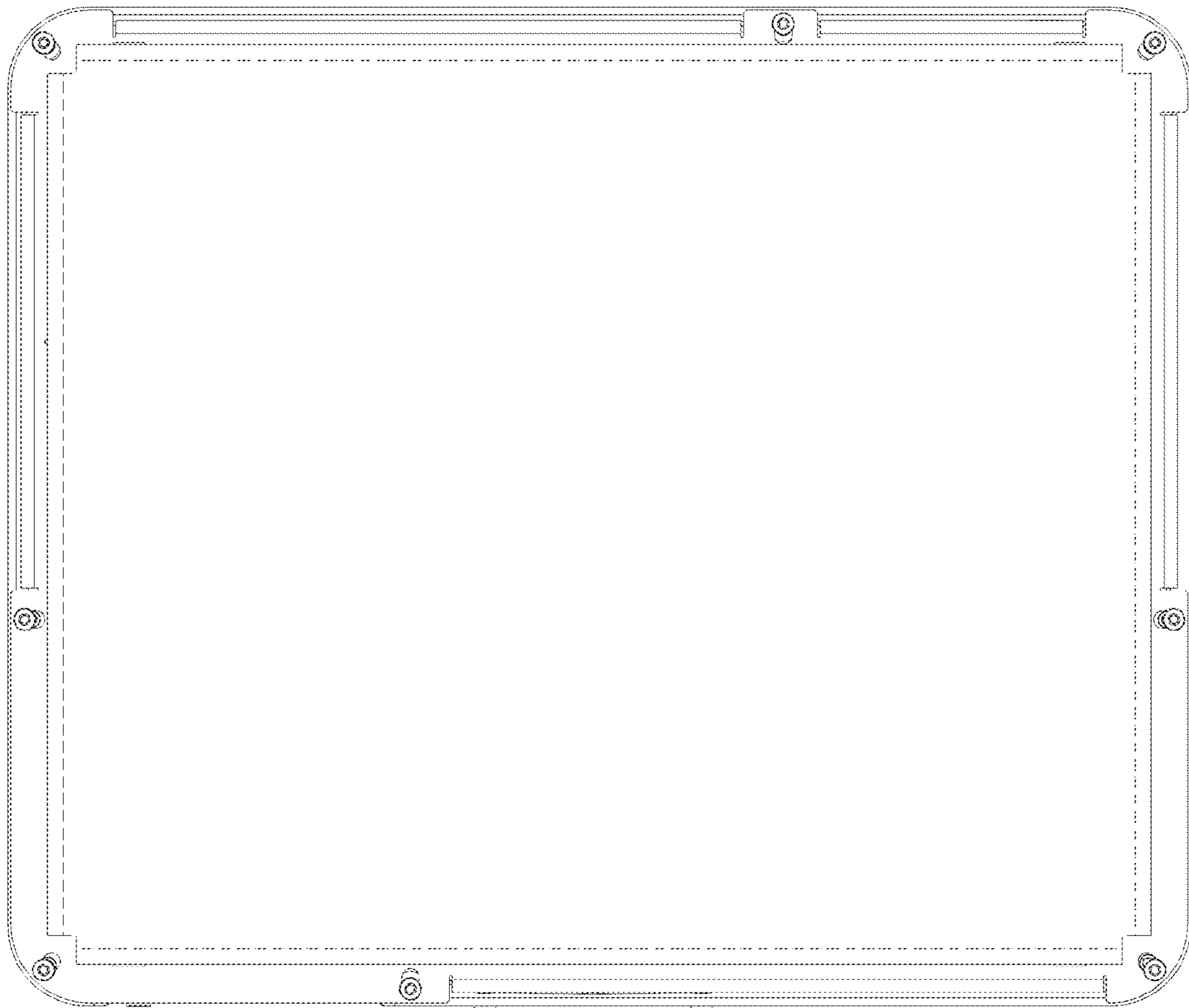


FIG. 1.6

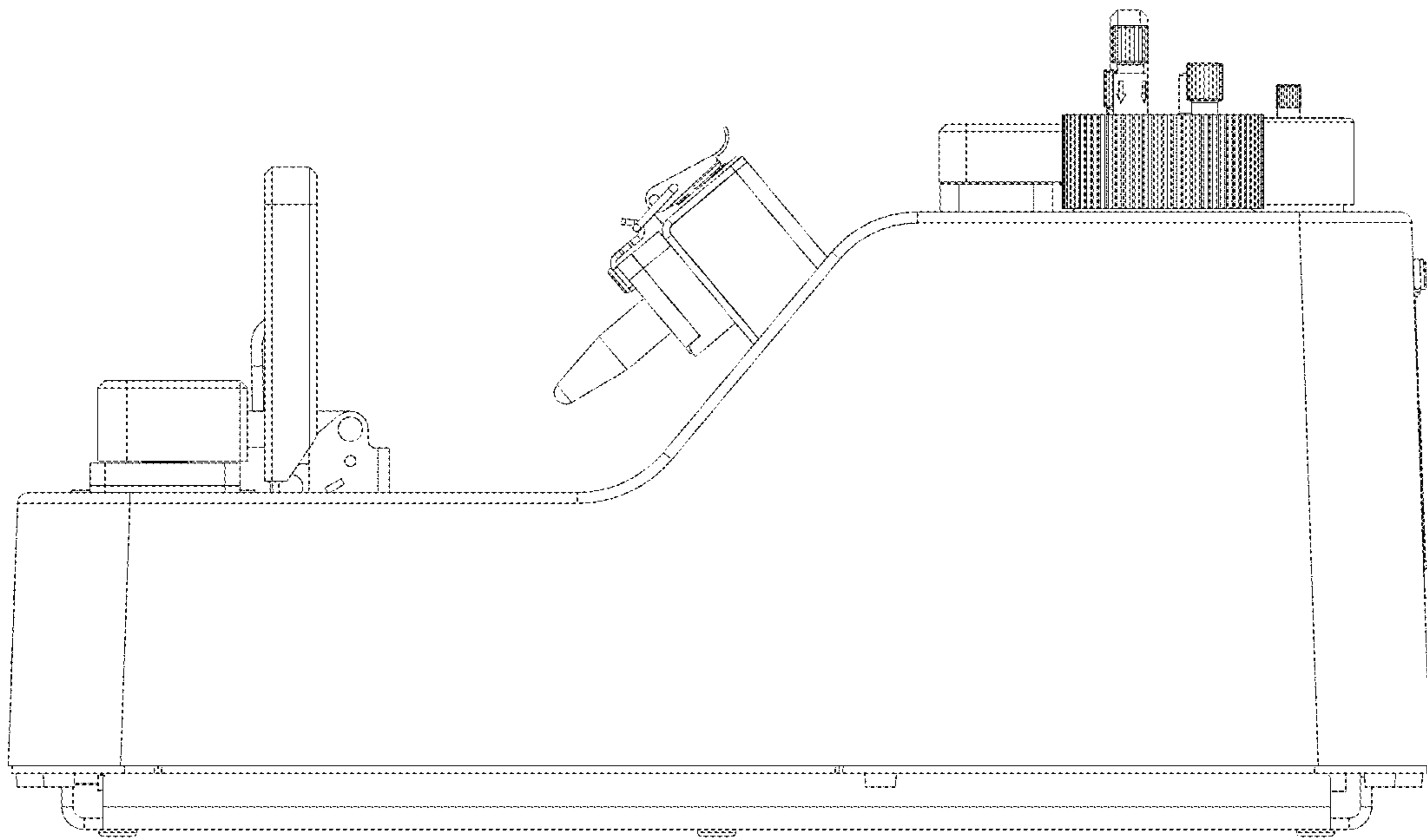


FIG. 1.7

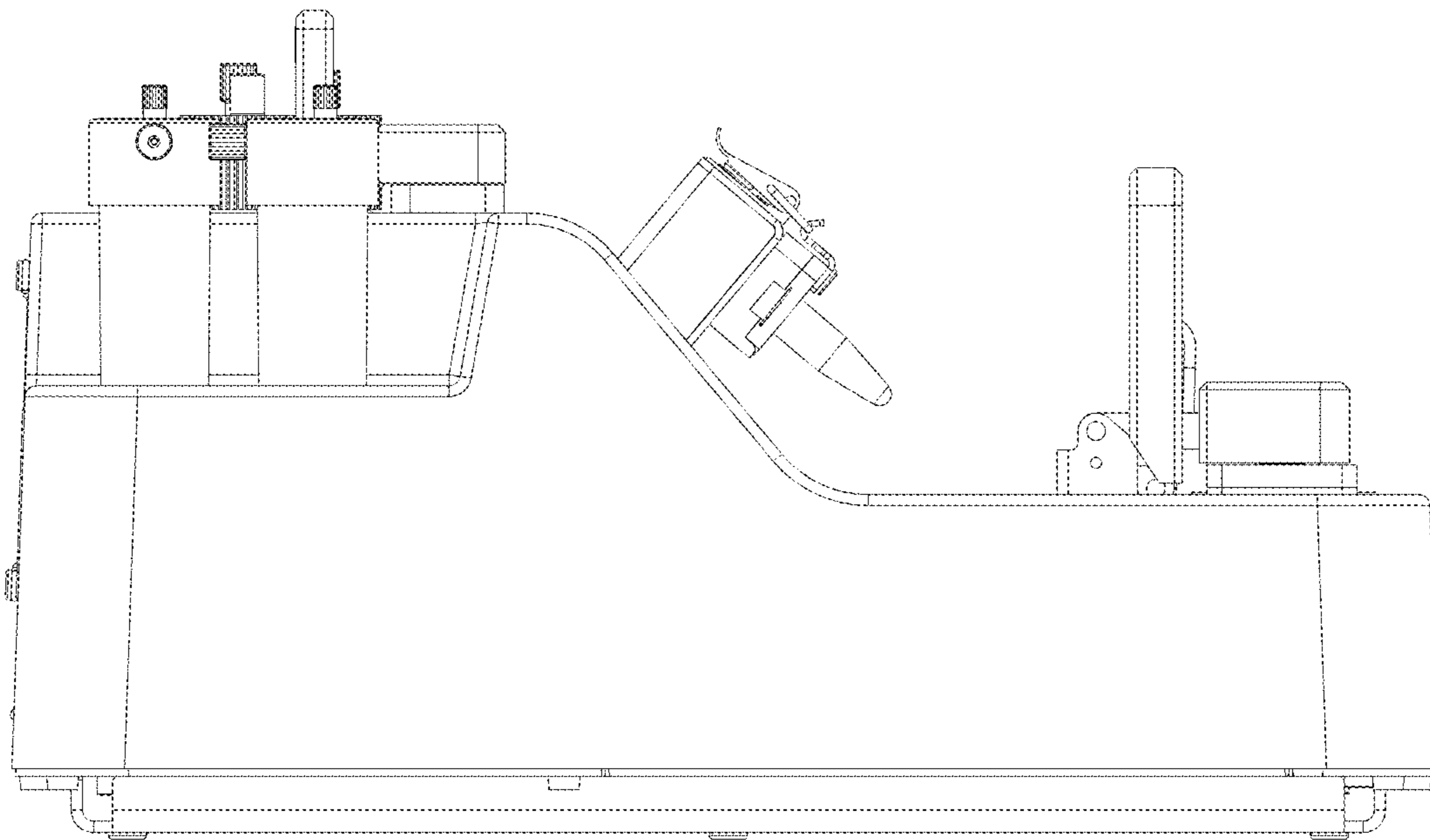


FIG. 1.8