



US00D907759S

(12) **United States Design Patent**  
**Sakamoto**

(10) **Patent No.:** **US D907,759 S**

(45) **Date of Patent:** **\*\* Jan. 12, 2021**

(54) **AIR CIRCULATOR**

(71) Applicant: **Iris Ohyama Inc.**, Sendai (JP)

(72) Inventor: **Masaharu Sakamoto**, Kakuda (JP)

(73) Assignee: **IRIS OHYAMA INC.**, Sendai (JP)

(\*\*) Term: **15 Years**

(21) Appl. No.: **29/685,930**

(22) Filed: **Apr. 1, 2019**

(30) **Foreign Application Priority Data**

Oct. 3, 2018 (JP) ..... 2018-021750

(51) **LOC (13) Cl.** ..... **23-03**

(52) **U.S. Cl.**  
USPC ..... **D23/412**; D23/382

(58) **Field of Classification Search**  
USPC ..... D23/332, 333, 335-337, 364, 370, 378,  
D23/379, 381-383, 380, 411-412  
CPC ..... F24H 3/0417; F04D 29/48; F04D 25/08;  
F04D 29/38; F04D 29/384; F04D 29/386  
See application file for complete search history.

(56) **References Cited**

**U.S. PATENT DOCUMENTS**

D218,429 S *	8/1970	Yotsukura	.....	D23/382
D354,558 S *	1/1995	Marvin	.....	D23/332
D413,664 S *	9/1999	Keller	.....	D23/381
D447,552 S *	9/2001	Lee	.....	D23/382
D538,417 S *	3/2007	Blateri	.....	D23/337
D545,953 S *	7/2007	Chien	.....	D23/342
D553,719 S *	10/2007	Blateri	.....	D23/337
D605,280 S *	12/2009	Chen	.....	D23/382
D630,723 S	1/2011	Ediger et al.		
D680,211 S *	4/2013	Birdsell	.....	D23/378

D692,996 S *	11/2013	Alexander	.....	D23/370
D872,253 S *	1/2020	Sakamoto	.....	D23/382
D872,254 S *	1/2020	Sakamoto	.....	D23/382
2020/0208871 A1 *	7/2020	Yamamoto	.....	F24F 13/06

**FOREIGN PATENT DOCUMENTS**

JP 1595125 S 4/2018

**OTHER PUBLICATIONS**

Iris Ohyama Inc., website publication, (Japan Patent Office Design Patent Department, publicly known reference No. HJ30001571).  
Toshiba Corporation, website publication, (Japan Patent Office Design Patent Department, publicly known reference No. HJ22017888).

(Continued)

*Primary Examiner* — Cathron C Brooks

*Assistant Examiner* — Sharon S Oum

(74) *Attorney, Agent, or Firm* — Studebaker & Brackett PC

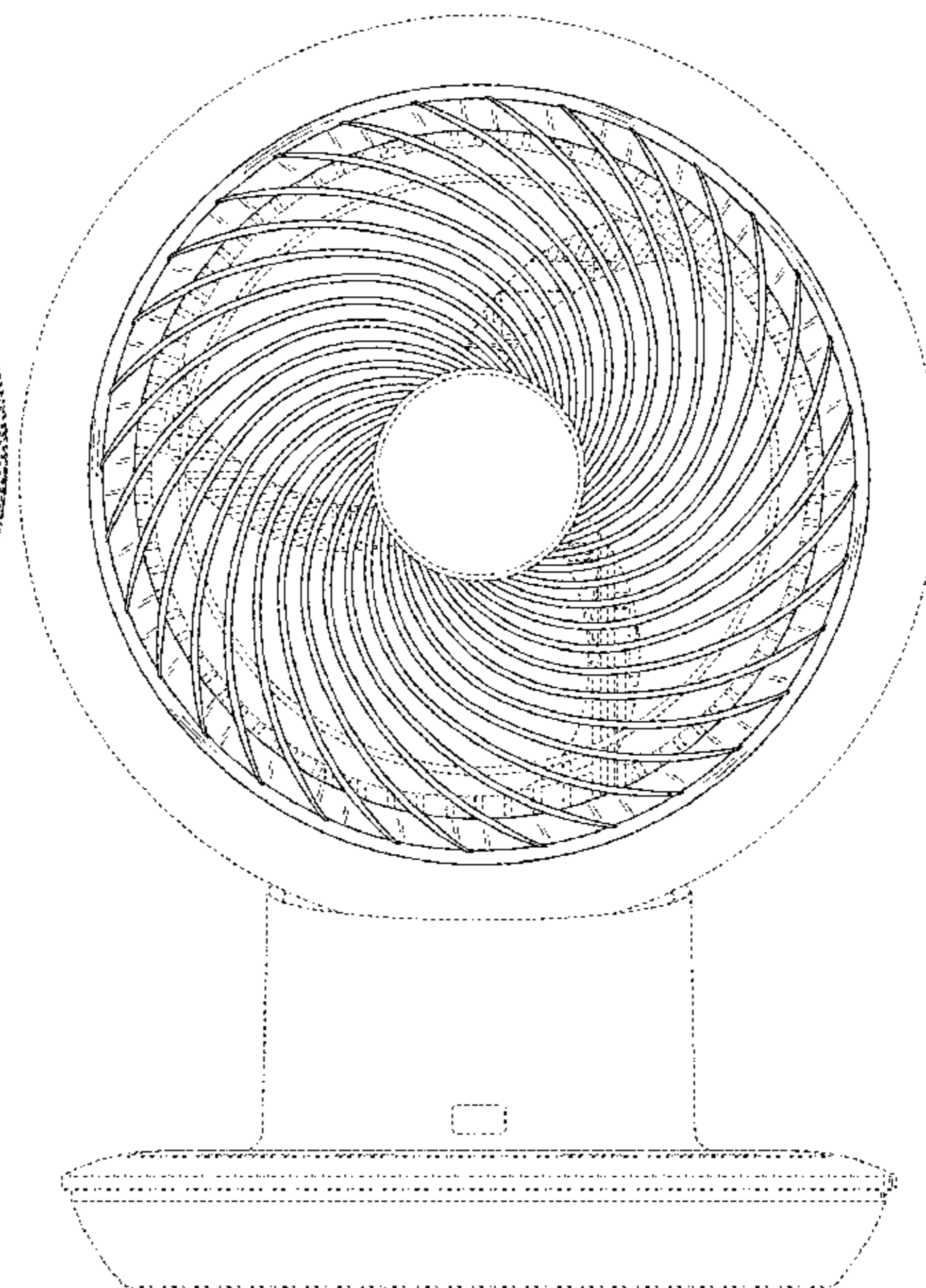
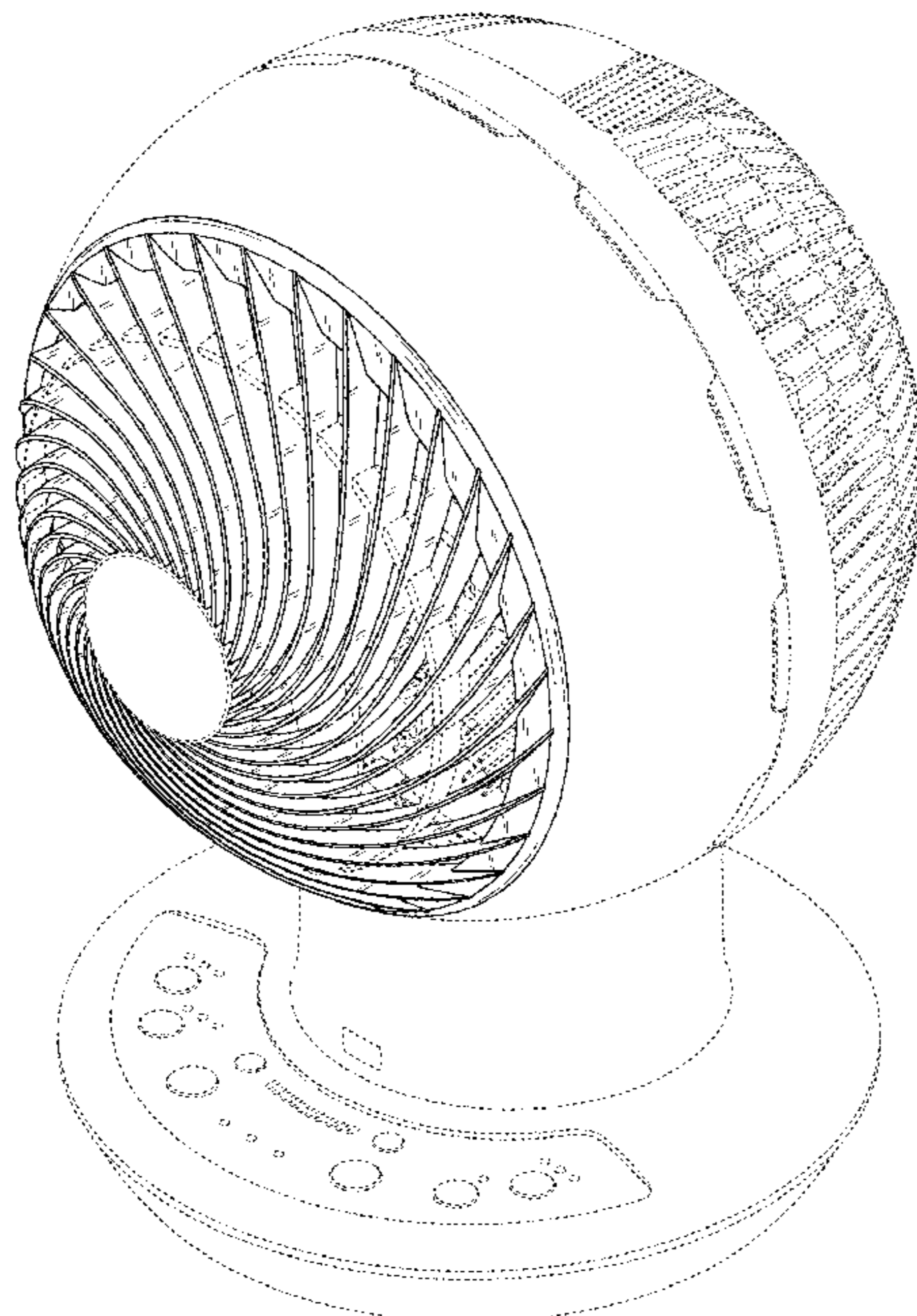
(57) **CLAIM**

The ornamental design for an air circulator, as shown and described.

**DESCRIPTION**

FIG. 1 is a front, top and right-side perspective view of an air circulator showing my new design;  
FIG. 2 is a front view thereof;  
FIG. 3 is a rear view thereof;  
FIG. 4 is a top view thereof;  
FIG. 5 is a bottom view thereof;  
FIG. 6 is a right-side view thereof;  
FIG. 7 is a left-side view thereof; and,  
FIG. 8 is a rear, top and left-side perspective view thereof.  
The broken lines shown represent portions of the air circulator and form no part of the claimed design.

**1 Claim, 8 Drawing Sheets**



(56)

**References Cited**

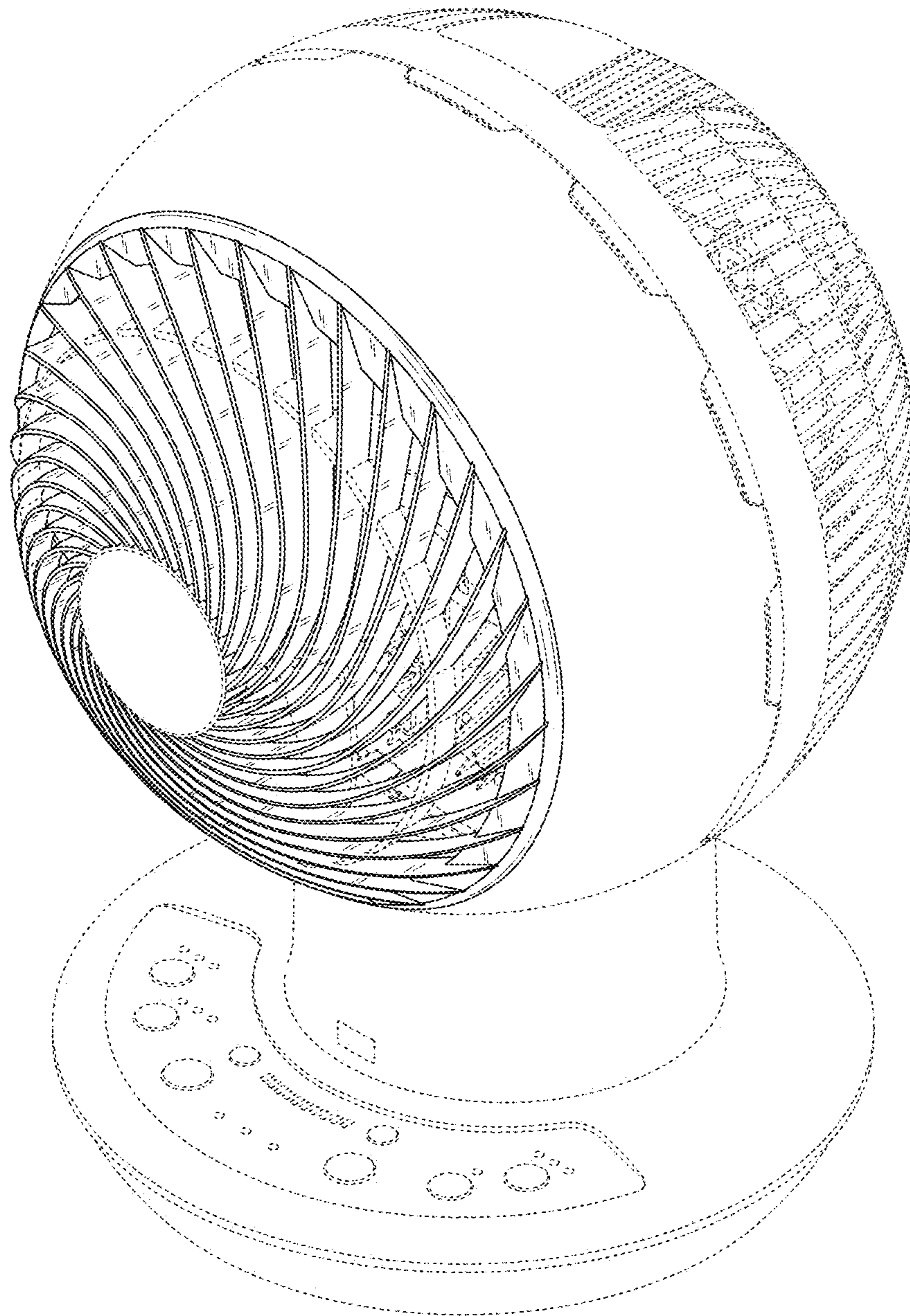
OTHER PUBLICATIONS

Yamazen Corporation, website publication, (Japan Patent Office Design Patent Department, publicly known reference No. HJ30051723).  
Sharper Image Corp., website publication, (Japan Patent Office Design Patent Department, publicly known reference No. HJ26020384).  
A Notice of Allowance mailed by the Japanese Patent Office on Jul. 30, 2019, which corresponds to Japanese Design Application No. 2018-021750 and is related to Design U.S. Appl. No. 29/685,930; with partial English translation.

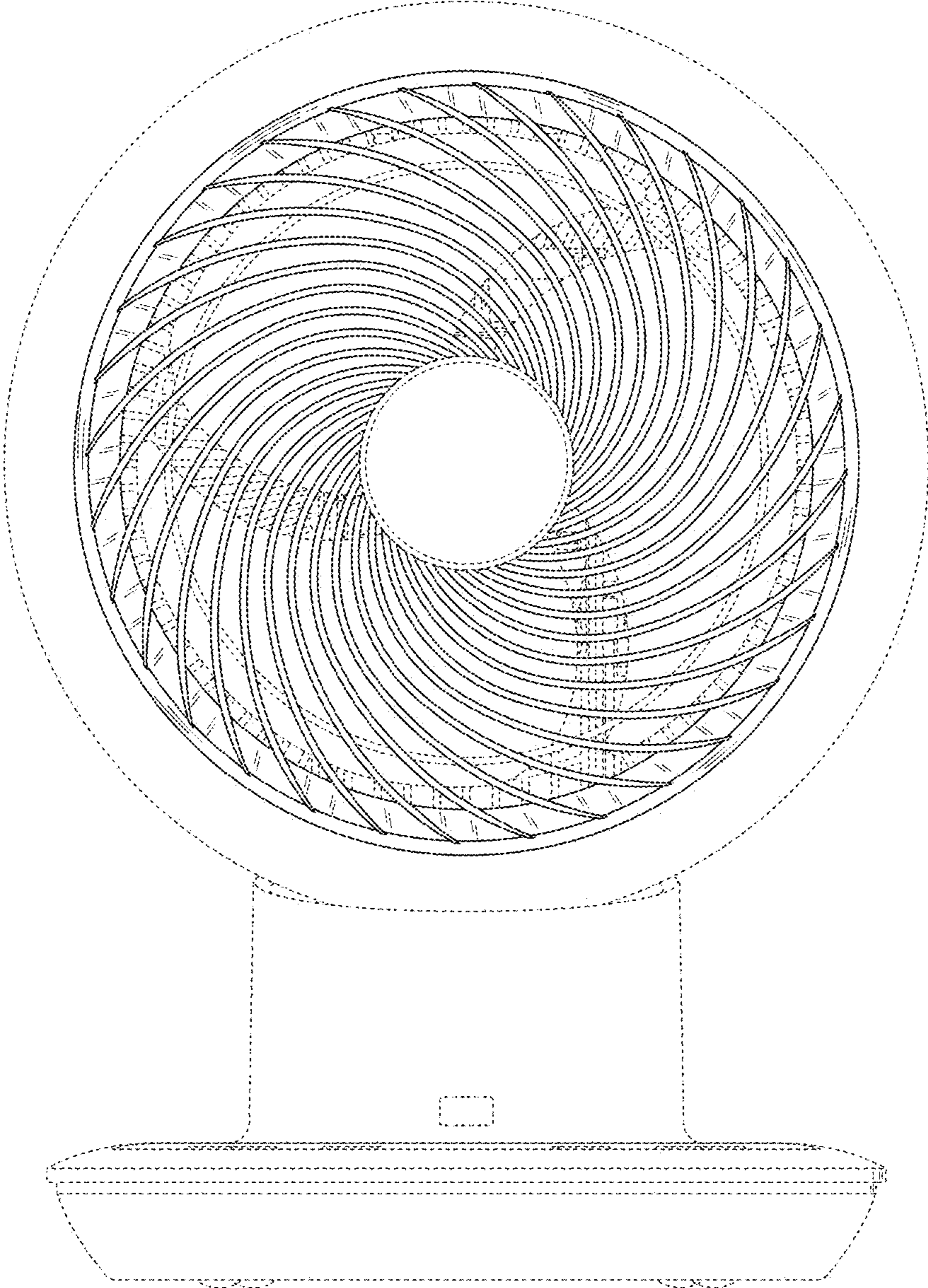
\* cited by examiner



FIG. 1

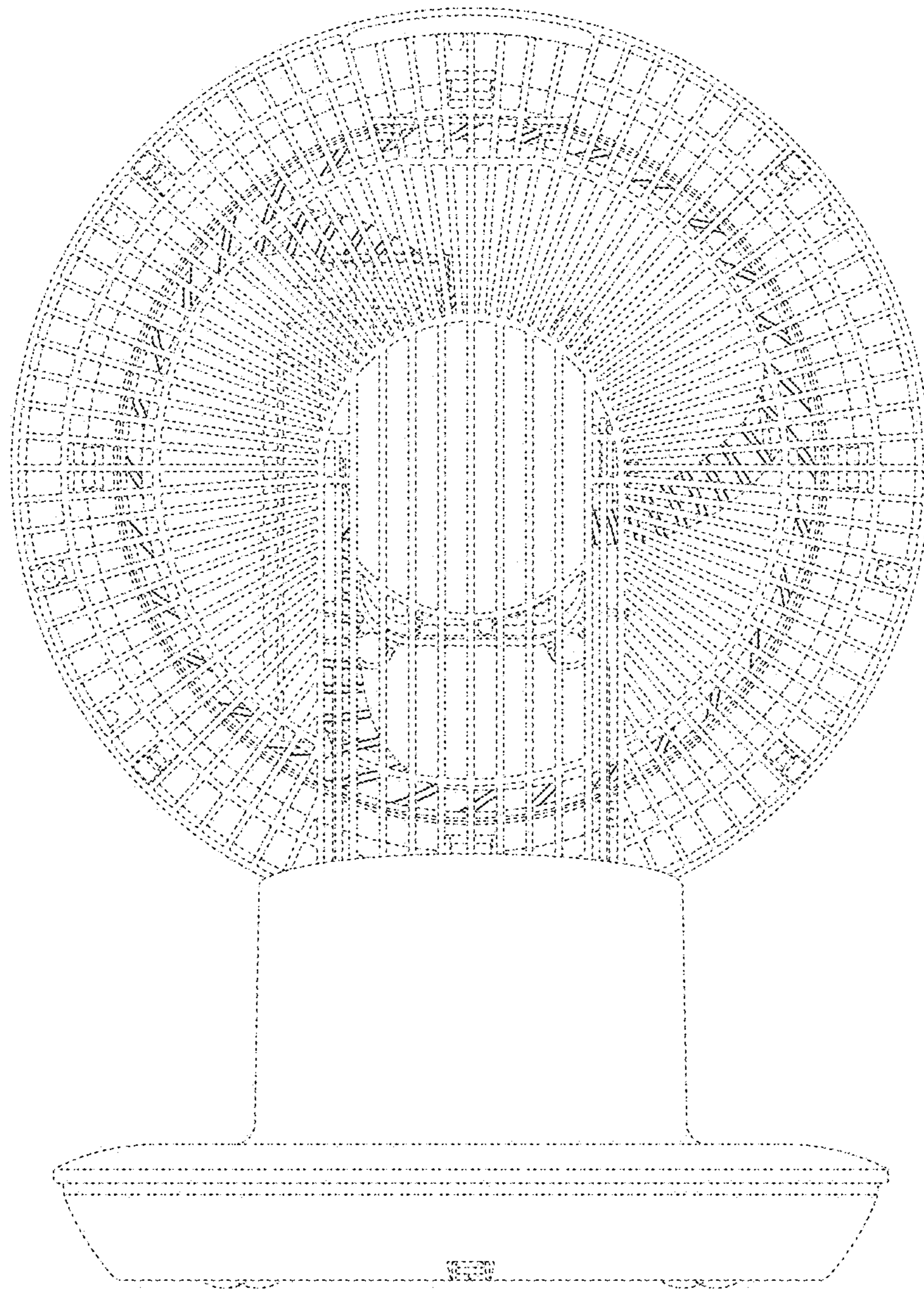


**FIG. 2**

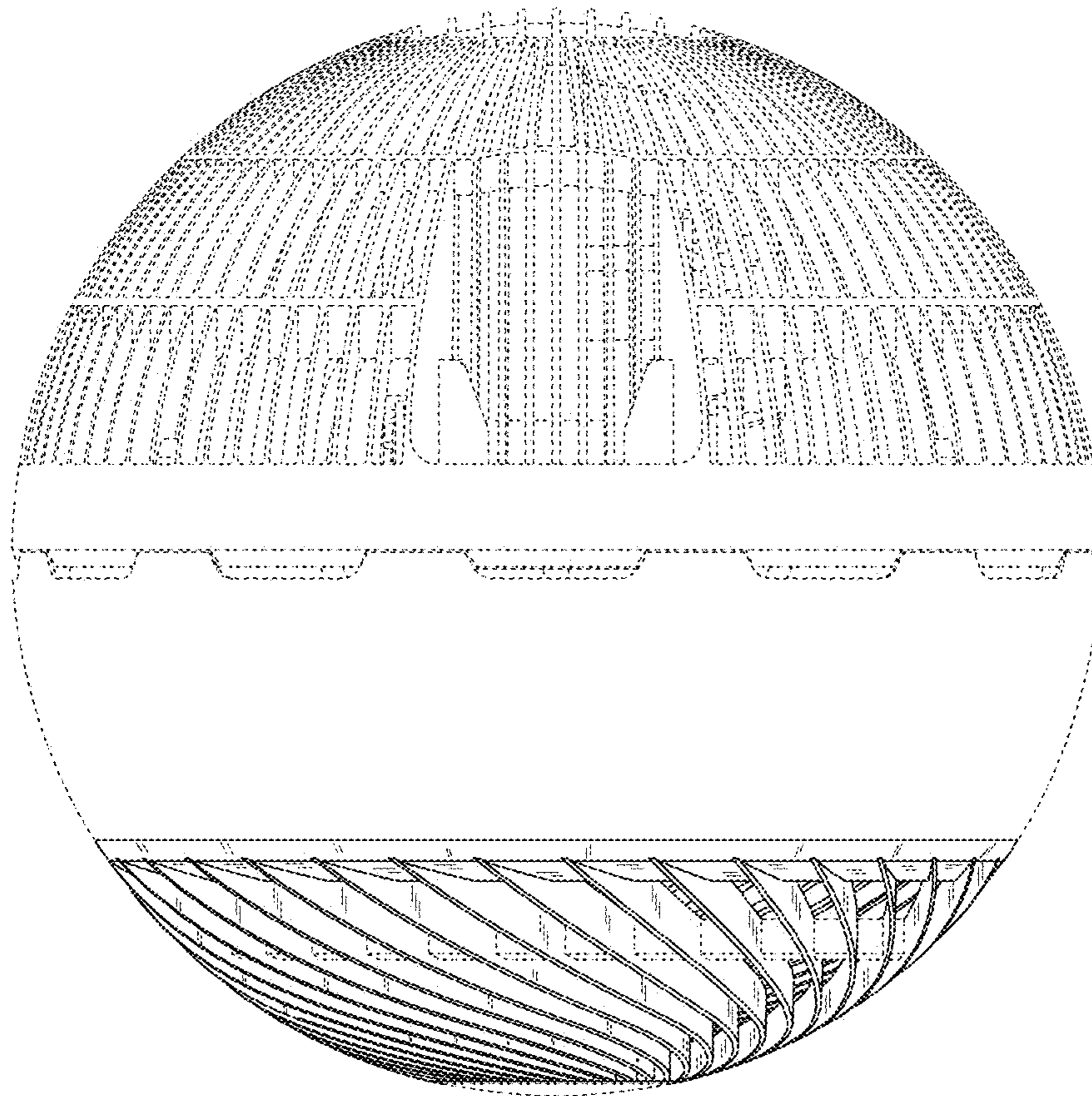




**FIG. 3**



**FIG. 4**



**FIG. 5**

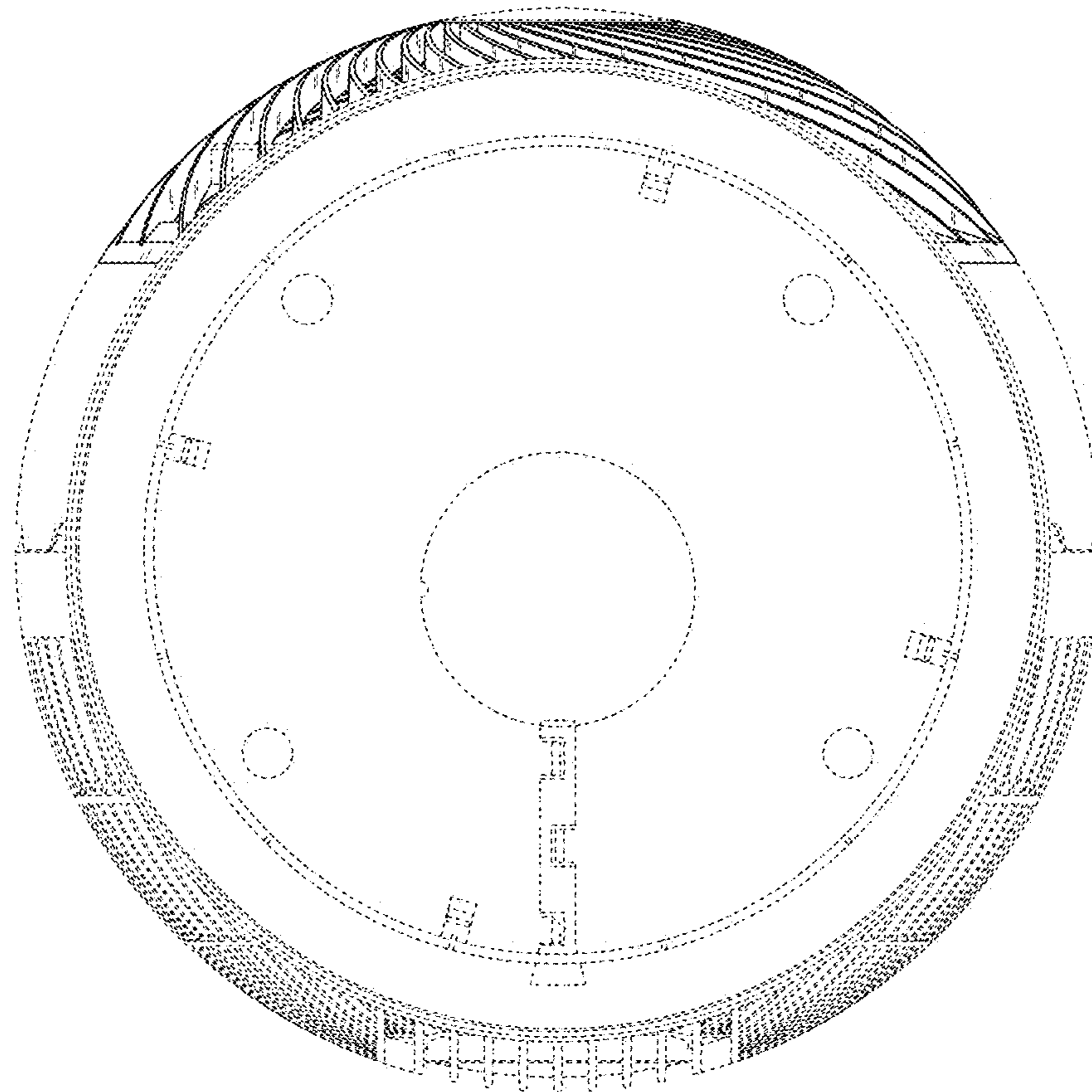




FIG. 6

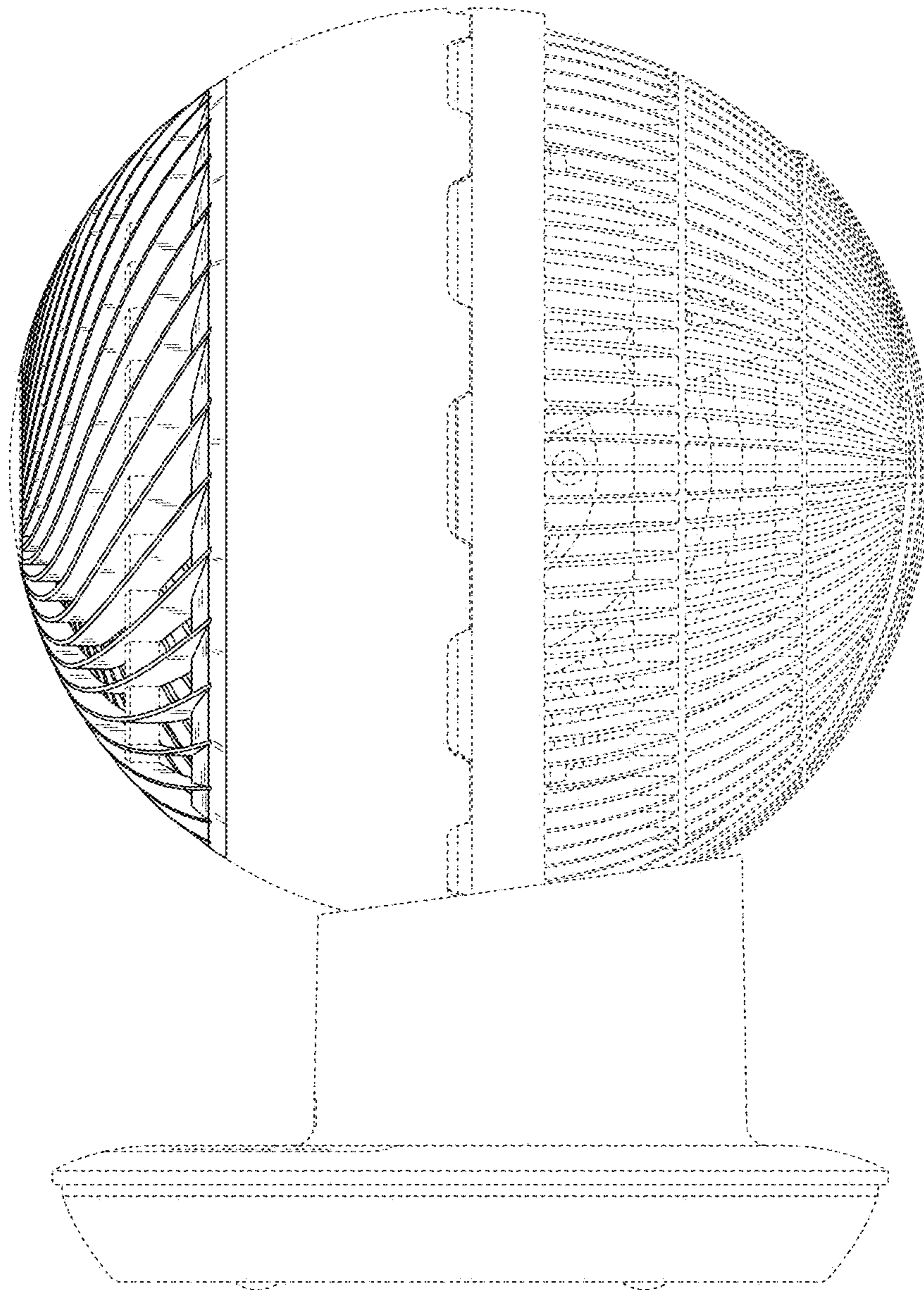
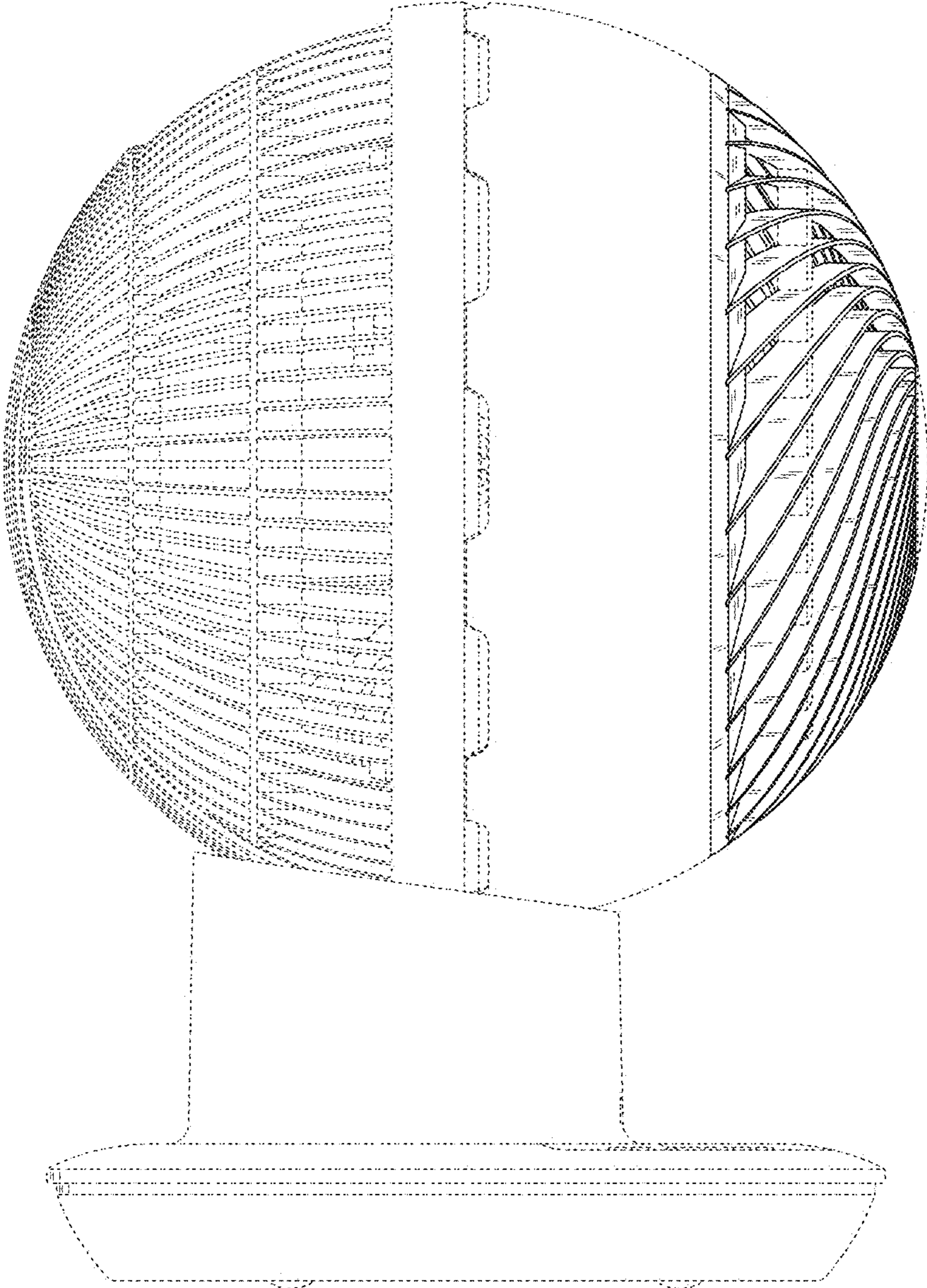




FIG. 7



**FIG. 8**

