



US00D907758S

(12) **United States Design Patent**
Whelley McCabe et al.

(10) **Patent No.:** **US D907,758 S**
(45) **Date of Patent:** **** Jan. 12, 2021**

(54) **STOVE DOOR**

D786,014 S * 5/2017 Knight D7/405
D802,352 S * 11/2017 McCabe D7/332
2018/0216202 A1* 8/2018 McCabe C13B 25/02

(71) Applicant: **Vermont Evaporator Company, LLC**,
Montpelier, VT (US)

(72) Inventors: **Kathleen M Whelley McCabe**,
Montpelier, VT (US); **Justin W McCabe**,
Montpelier, VT (US)

(73) Assignee: **Vermont Evaporator Company, LLC**,
Montpelier, VT (US)

(**) Term: **15 Years**

(21) Appl. No.: **29/662,137**

(22) Filed: **Sep. 3, 2018**

(51) **LOC (13) Cl.** **07-08**

(52) **U.S. Cl.**
USPC **D23/403**

(58) **Field of Classification Search**
USPC D7/332, 354, 386, 409; D23/327, 354,
D23/386, 387, 388, 389, 392, 393, 397,
D23/403, 407, 415, 320; D6/703;
D8/400; D25/48.3
CPC .. F23M 7/04; F24F 12/00; F24F 13/00; F24F
13/0227; F24F 13/0236

See application file for complete search history.

(56) **References Cited**

U.S. PATENT DOCUMENTS

D28,601 S * 5/1898 McMillan D7/348
D47,960 S * 10/1915 Long D23/320
1,375,620 A * 4/1921 Wilson F24C 15/02
126/190
1,780,068 A * 10/1930 Dorman F24B 1/205
126/29
D135,652 S * 5/1943 Cochran D7/405
D276,180 S * 10/1984 Buehler D23/344
5,005,555 A * 4/1991 Vogelzang F24B 1/02
126/289
D715,084 S * 10/2014 Hill D7/332

OTHER PUBLICATIONS

YouTube—Milk Money VT, Vermont Evaporator Company, Sep. 6,
2016, [site visited Mar. 25, 2020], Available on the Internet URL
<https://www.youtube.com/watch?v=uf8b18e1EDk> (Year: 2016).*

YouTube—The Maple New Newsdesk, Product Demo: Hobby pans
from the Vermont Evaporator Co., Feb. 7, 2019, [site visited Mar.
25, 2020], Available on the Internet URL <https://www.youtube.com/watch?v=rtfPriVXMgM> (Year: 2019).*

Vermont Evaporator Company website, Sapling Evaporator, Publi-
cation date unknown, [site visited Mar. 25, 2020], Available on the
Internet URL <https://vermontevaporator.com/product/sapling-evaporator/> (Year: 2020).*

Lowe's, "ACHLA Designs Matte Black Clean-out Door", <https://www.lowes.com/pd/ACHLA-Designs-Matte-Black-Clean-out-Door/50066325>.

Sears, "Sears Stove Barrel Stove Adapter Kit", <https://www.sears.com/u-s-stove-company-vogelzang-barrel-stove-kit/p-SPM12218187116>.

* cited by examiner

Primary Examiner — Karen S Acker

Assistant Examiner — Steven B Reinholdt, Jr.

(57) **CLAIM**

The ornamental design for a stove door, as shown and
described.

DESCRIPTION

FIG. 1 is a perspective view of a stove door showing our new
design;

FIG. 2 is a front view thereof;

FIG. 3 is a right side view thereof;

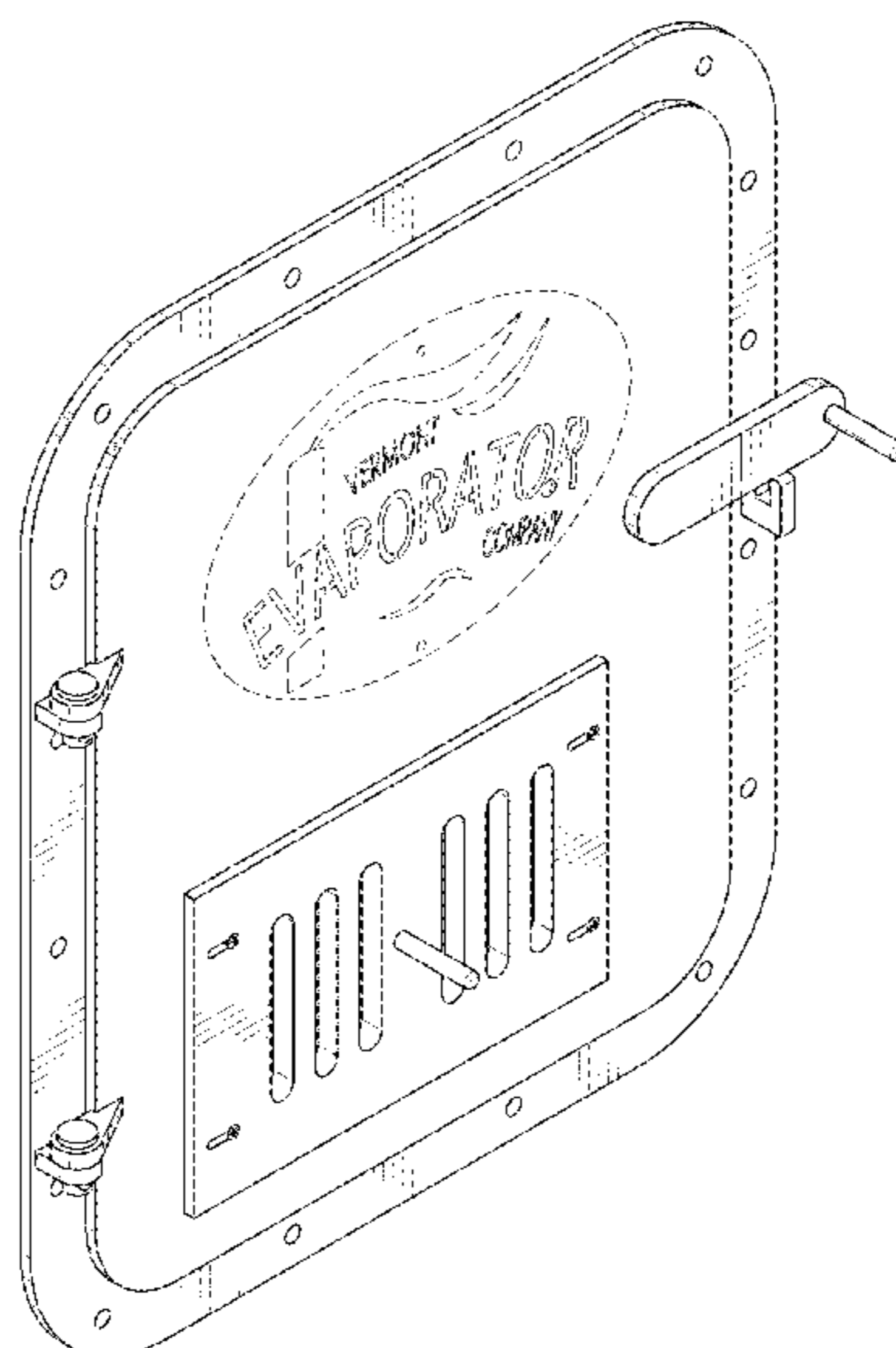
FIG. 4 is a left side view thereof;

FIG. 5 is a top plan view thereof; and,

FIG. 6 is a bottom plan view thereof.

The broken lines shown in FIGS. 1 and 2 depict portions of
the stove door that form no part of the claimed design.

1 Claim, 6 Drawing Sheets



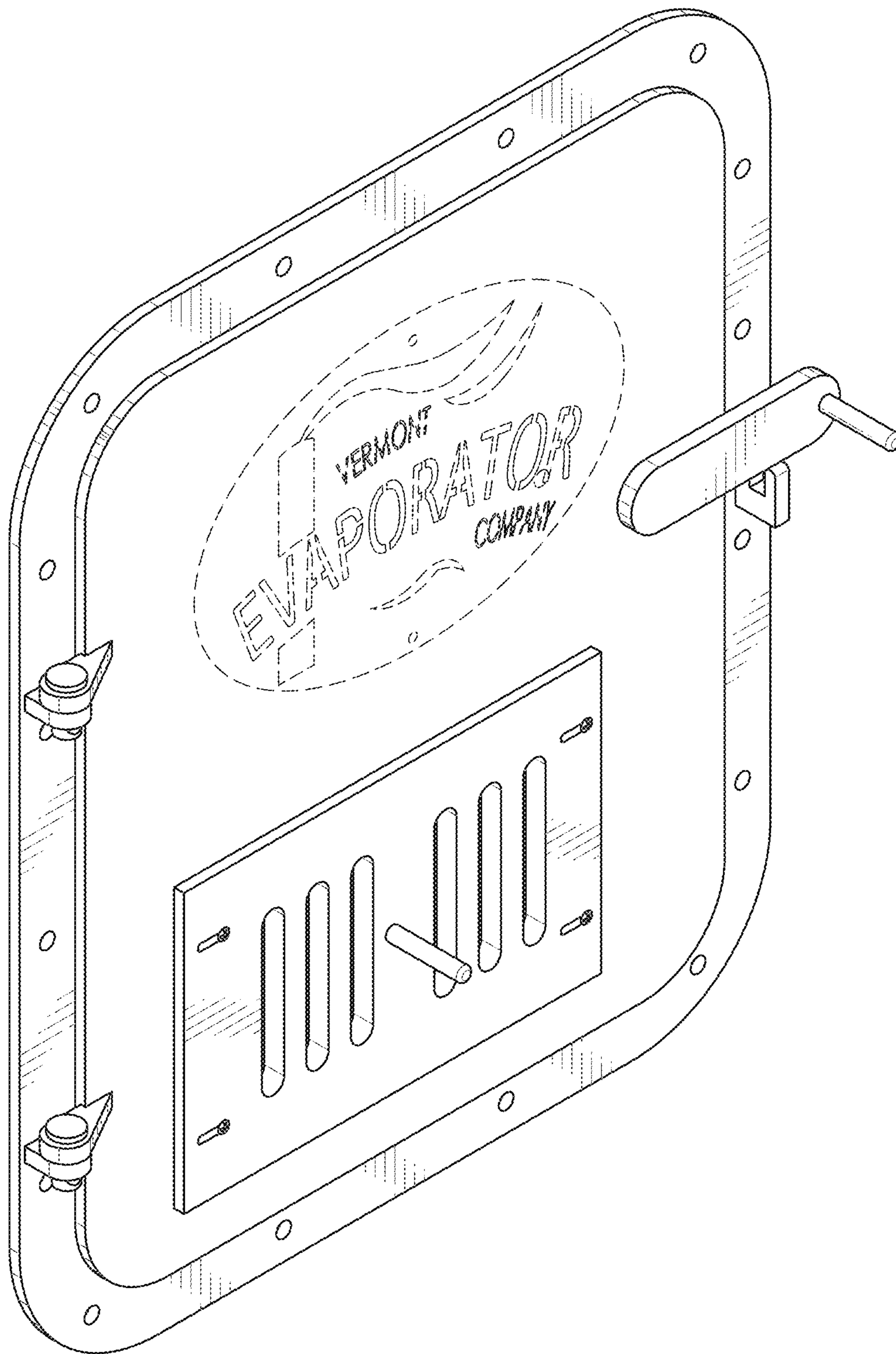


FIG. 1

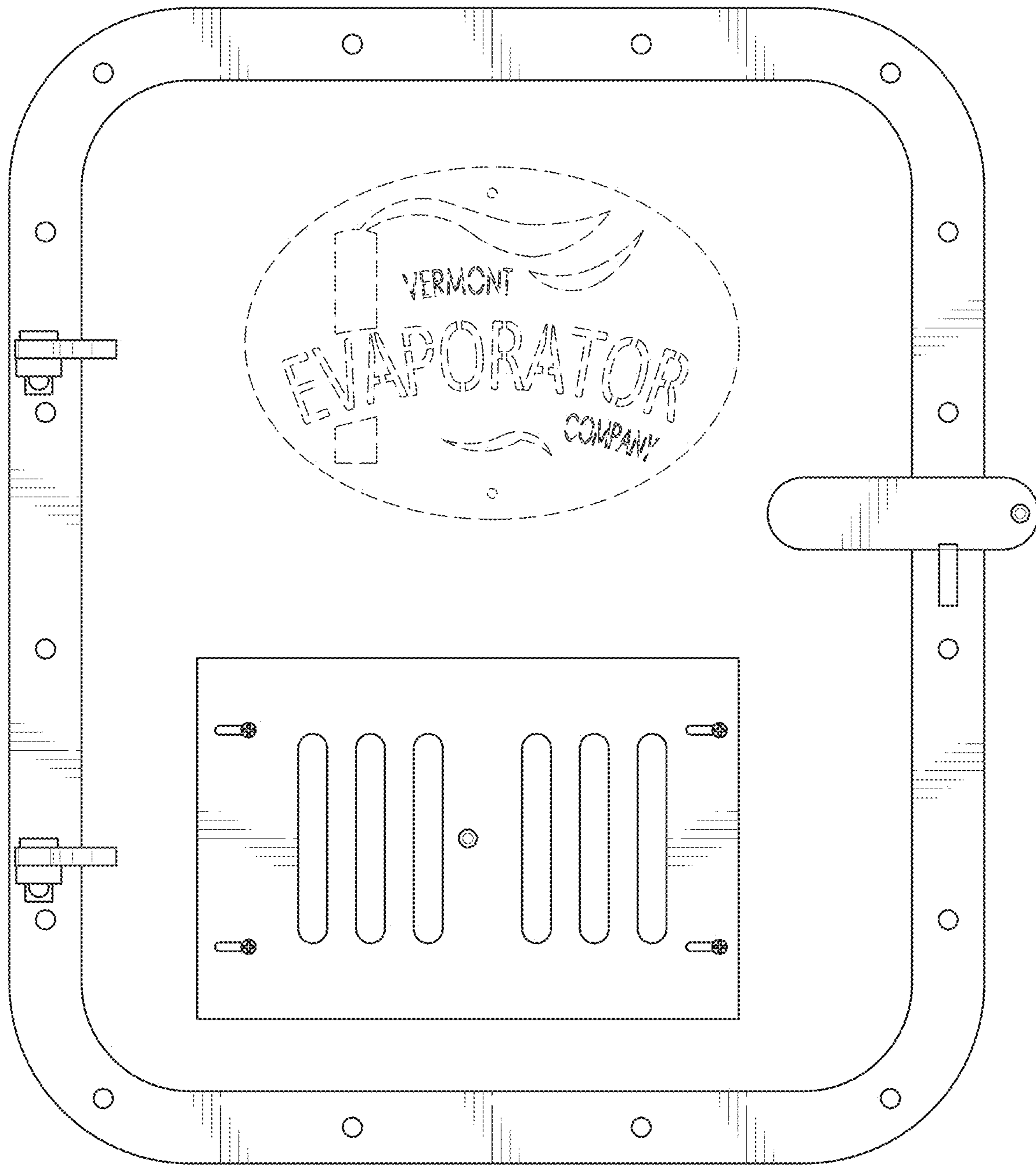


FIG. 2

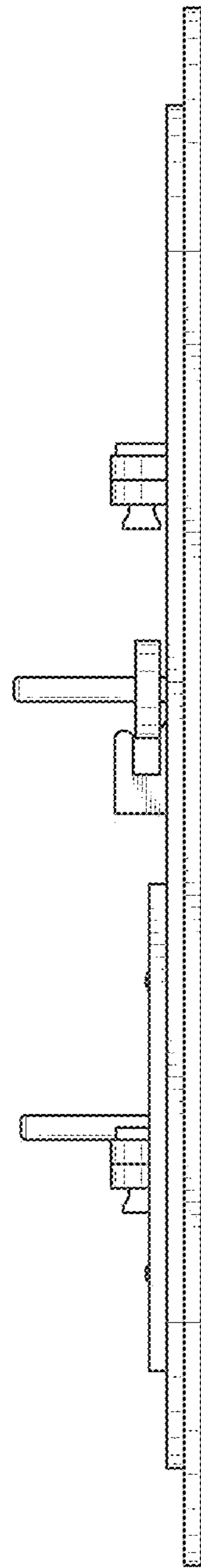


FIG. 3

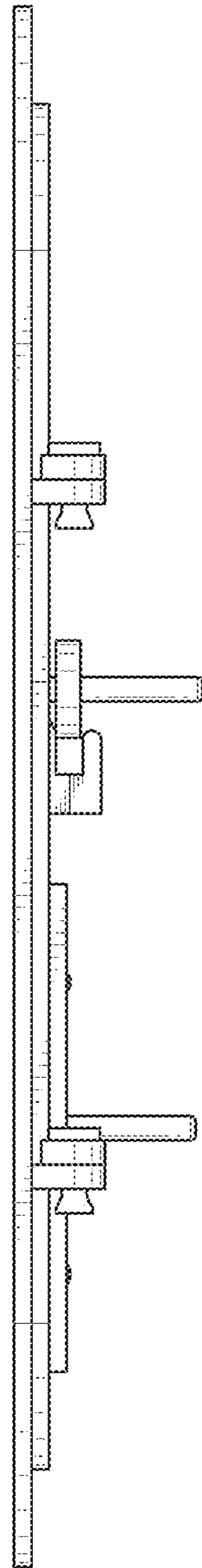


FIG. 4

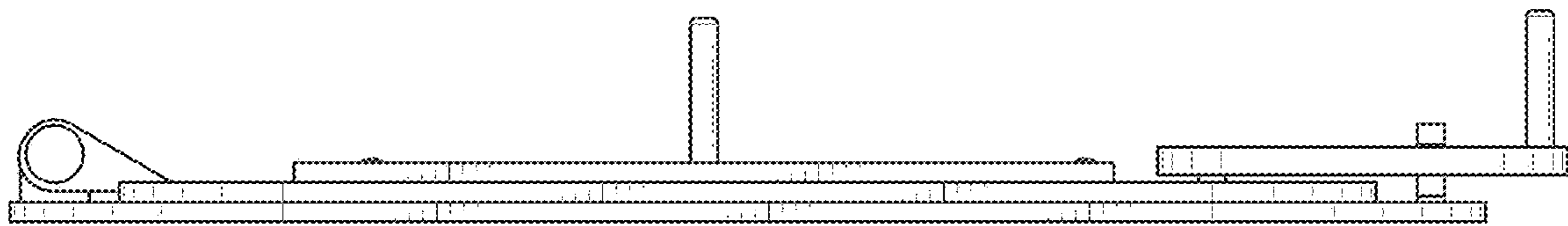


FIG. 5

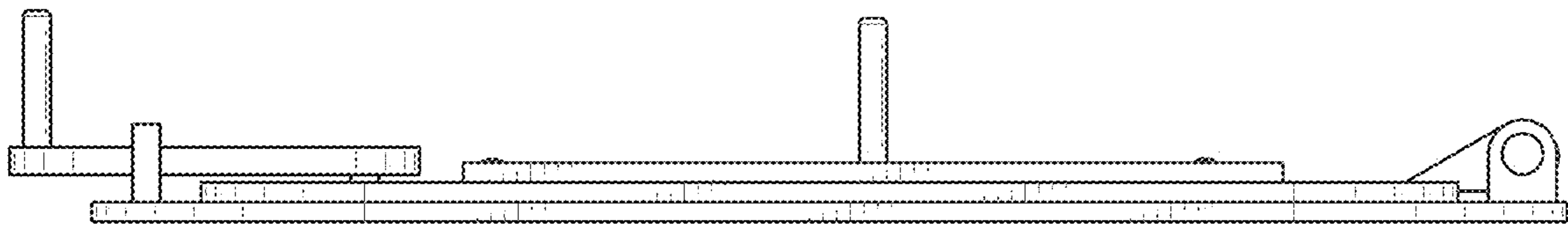


FIG. 6