



US00D907757S

(12) **United States Design Patent**
Miyawaki

(10) **Patent No.:** **US D907,757 S**

(45) **Date of Patent:** **** Jan. 12, 2021**

(54) **ELECTRIC FAN**

(71) Applicant: **Iris Ohyama Inc.**, Sendai (JP)

(72) Inventor: **Masayuki Miyawaki**, Kakuda (JP)

(73) Assignee: **IRIS OHYAMA INC.**, Sendai (JP)

(**) Term: **15 Years**

(21) Appl. No.: **29/688,989**

(22) Filed: **Apr. 25, 2019**

(30) **Foreign Application Priority Data**

Oct. 31, 2018 (JP) 2018-023961

(51) **LOC (13) Cl.** **23-04**

(52) **U.S. Cl.**
USPC **D23/378**; D23/382

(58) **Field of Classification Search**
USPC D23/332, 333, 335-337, 364, 370, 378,
D23/379, 381-383
CPC F24H 3/0417; F04D 29/48; F04D 25/08;
F04D 29/38; F04D 29/384; F04D 29/386
See application file for complete search history.

(56) **References Cited**

U.S. PATENT DOCUMENTS

- 3,446,429 A * 5/1969 Ogawa F04D 19/002
416/220 R
- 4,927,120 A * 5/1990 Wang F04D 25/08
248/125.1
- D316,599 S * 4/1991 Wang D23/378
- D413,660 S * 9/1999 Lee D23/332
- D420,734 S * 2/2000 Thakur D23/378
- D424,681 S * 5/2000 Lozzio D23/378
- D426,631 S * 6/2000 Thakur D23/378
- D440,648 S * 4/2001 Lee D23/382
- 8,167,590 B1 * 5/2012 Vidal F04D 25/105
417/423.15
- D676,124 S * 2/2013 Almanza D23/411

- D681,795 S * 5/2013 Huang D23/378
- D762,837 S * 8/2016 Yeung D23/378
- 2004/0120816 A1 * 6/2004 Shapiro F24H 9/1872
415/213.1
- 2020/0056619 A1 * 2/2020 Girard F04D 29/601

OTHER PUBLICATIONS

A Notice of Allowance mailed by the Japanese Patent Office dated Jul. 23, 2019, which corresponds to Japanese Design Application No. 2018-023961 and is related to Design U.S. Appl. No. 29/688,989; with partial English translation.
KR Design trademark bulletin, No. 13-27, (Sep. 11, 2013), 30-0708276(Japan Patent Department, publicly known reference No. HH25433675).

* cited by examiner

Primary Examiner — Cathron C Brooks

Assistant Examiner — Sharon S Oum

(74) *Attorney, Agent, or Firm* — Studebaker & Brackett PC

(57) **CLAIM**

The ornamental design for an electric fan, as shown and described.

DESCRIPTION

FIG. 1 is a front, top and right-side perspective view of an electric fan showing my new design;
FIG. 2 is a front view thereof;
FIG. 3 is a rear view thereof;
FIG. 4 is a top view thereof;
FIG. 5 is a bottom view thereof;
FIG. 6 is a right-side view thereof;
FIG. 7 is a left-side view thereof; and,
FIG. 8 is a rear, top and left-side perspective view thereof.
The broken lines shown represent portions of the electric fan and form no part of the claimed design.

1 Claim, 8 Drawing Sheets

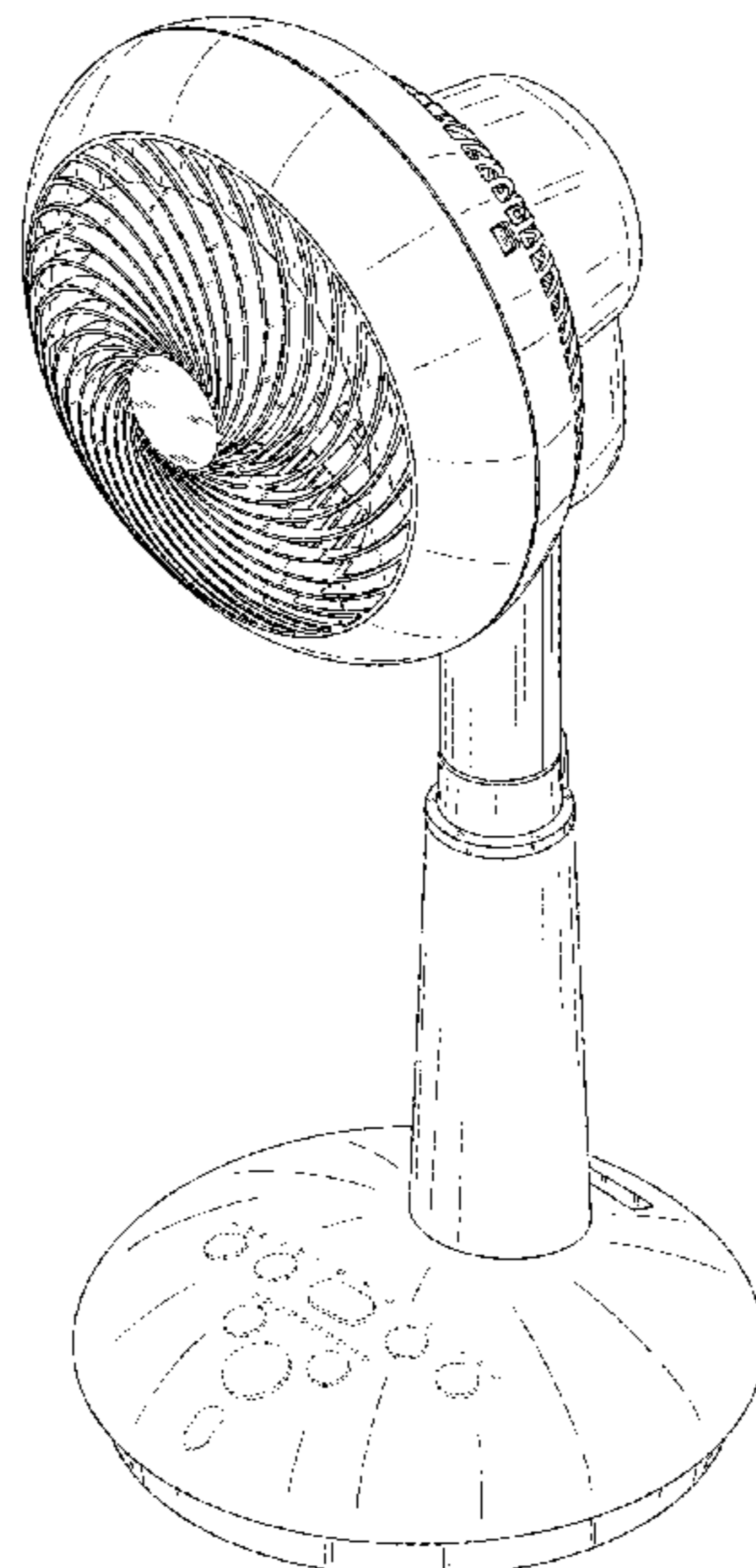


FIG. 1

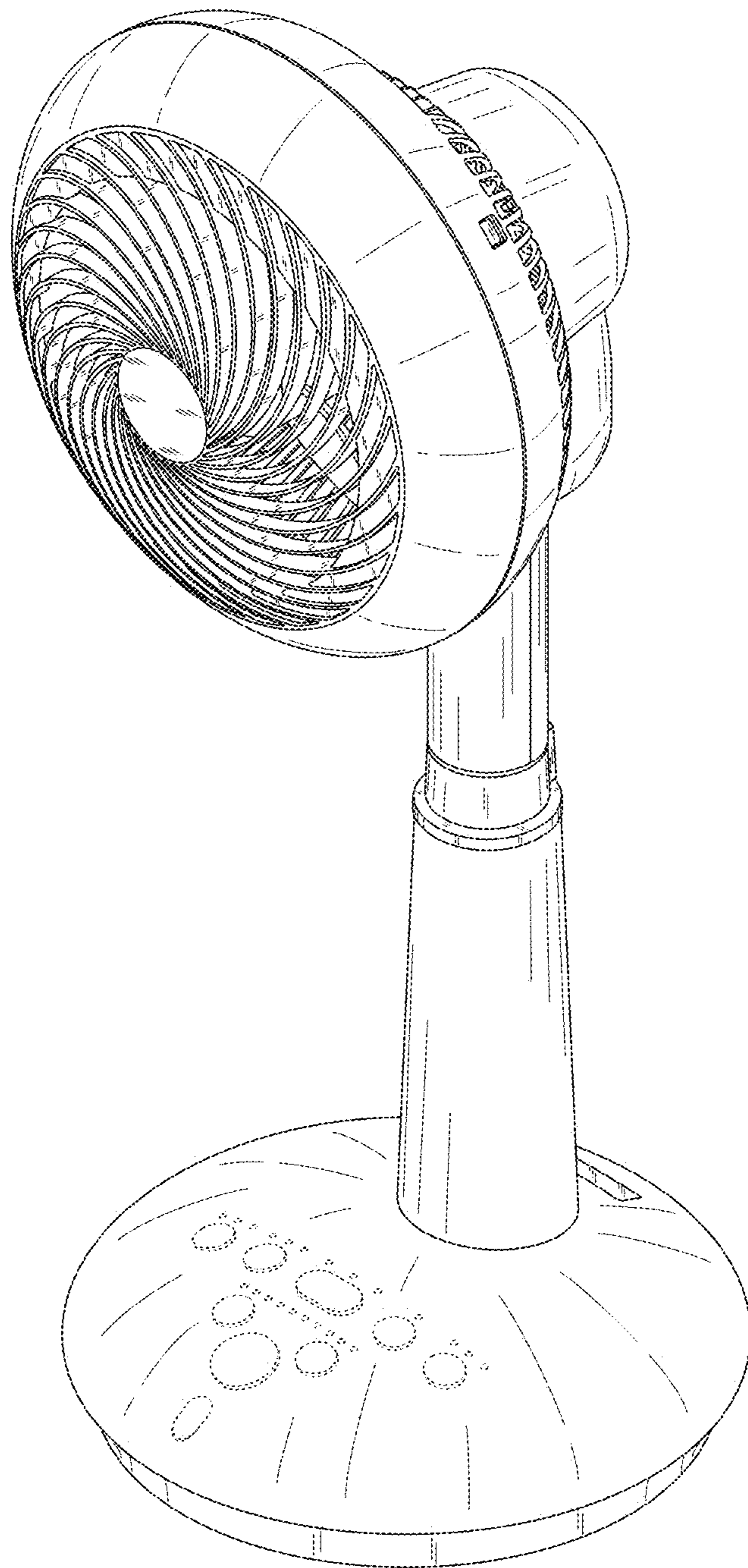


FIG. 2

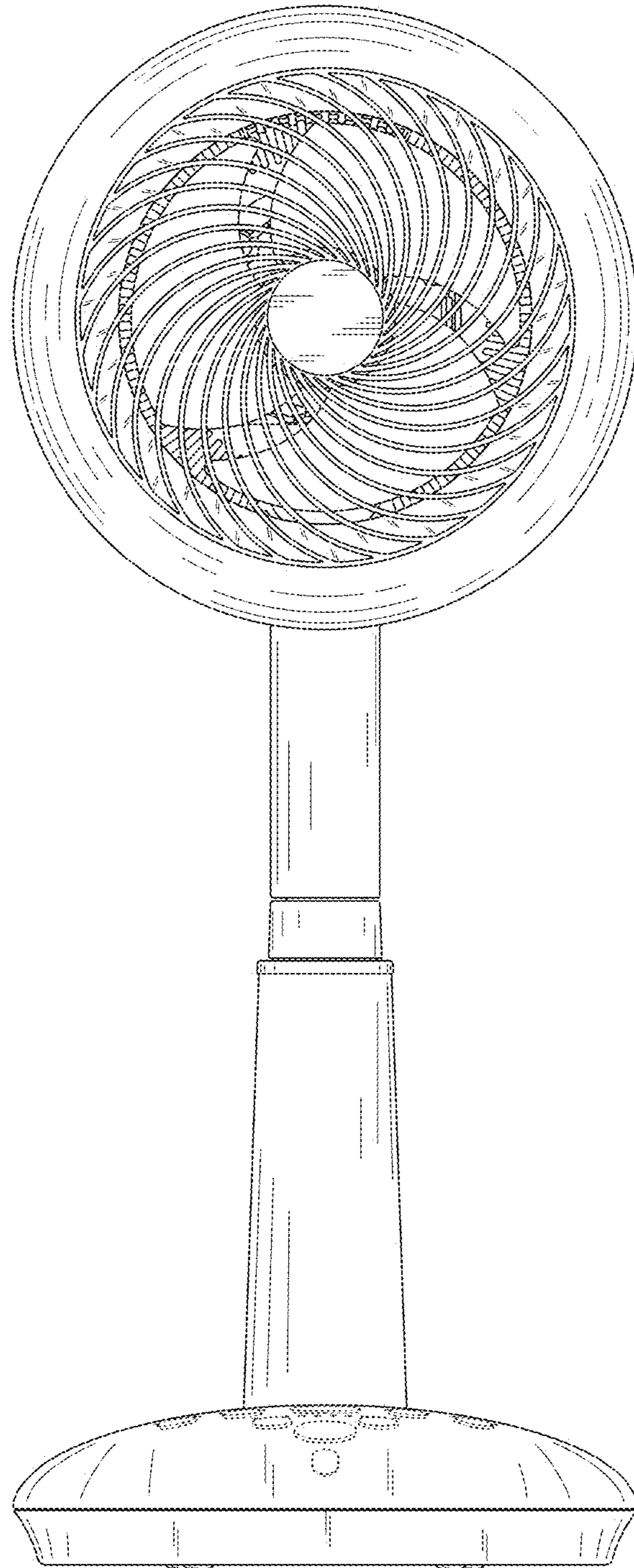


FIG. 3

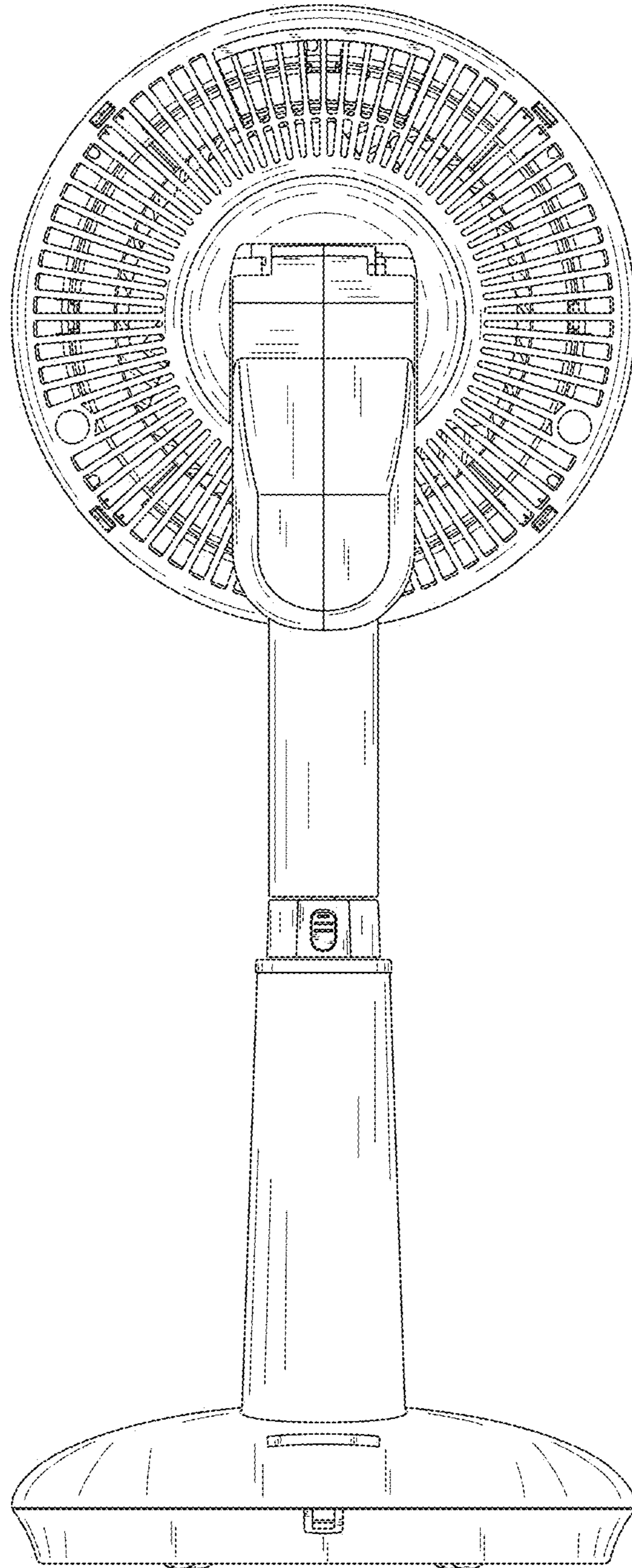


FIG. 4

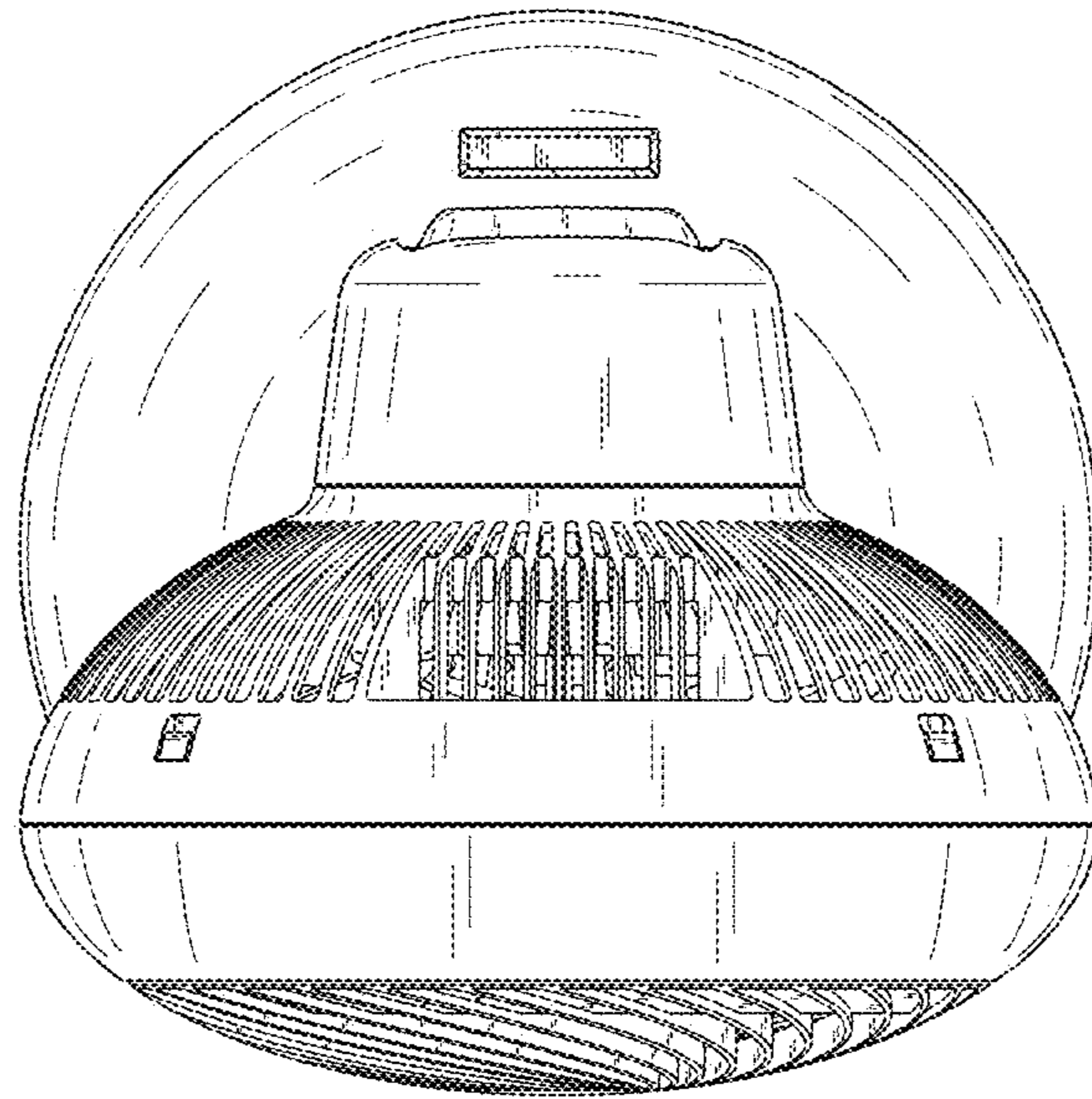


FIG. 5

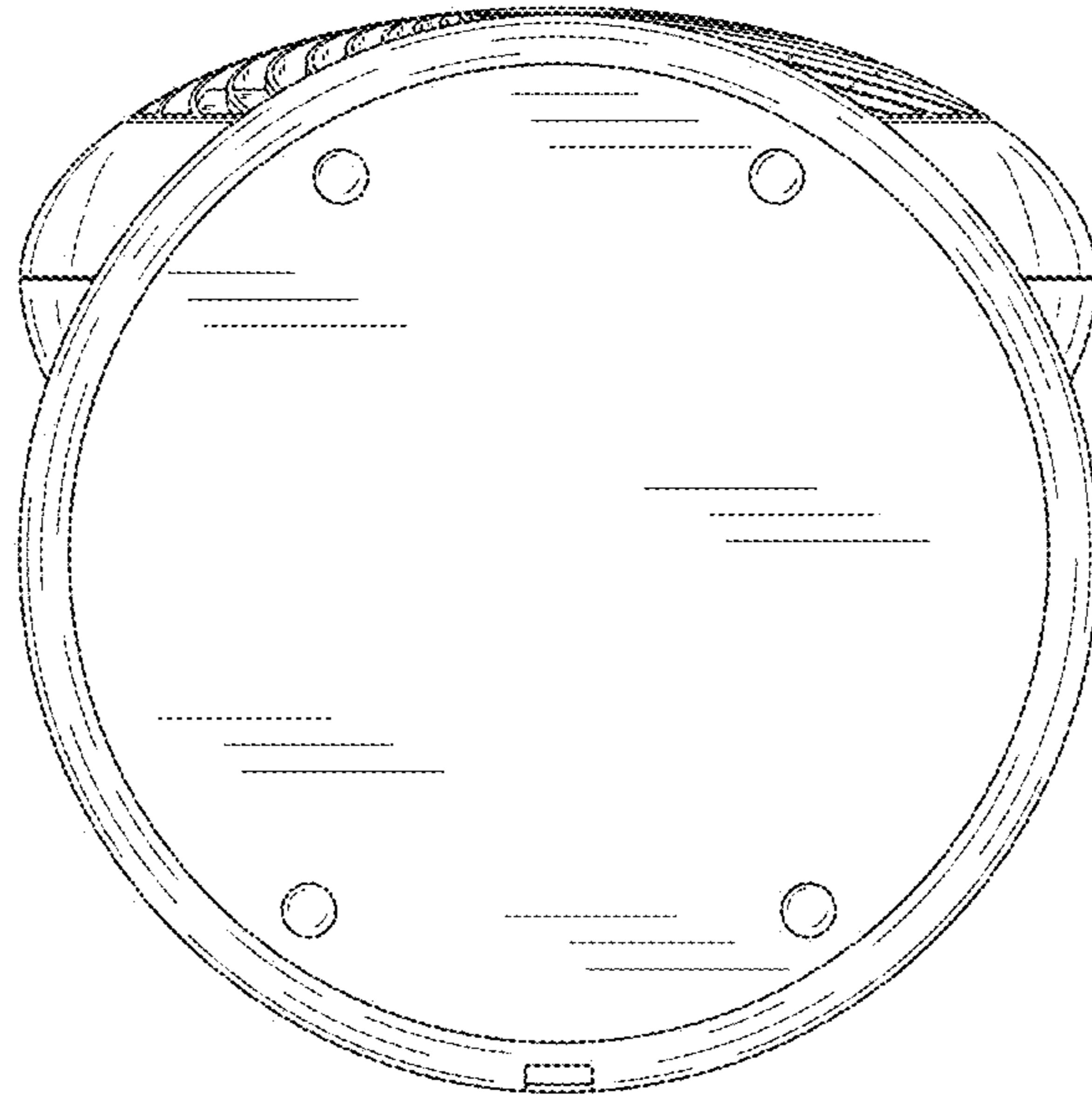


FIG. 6

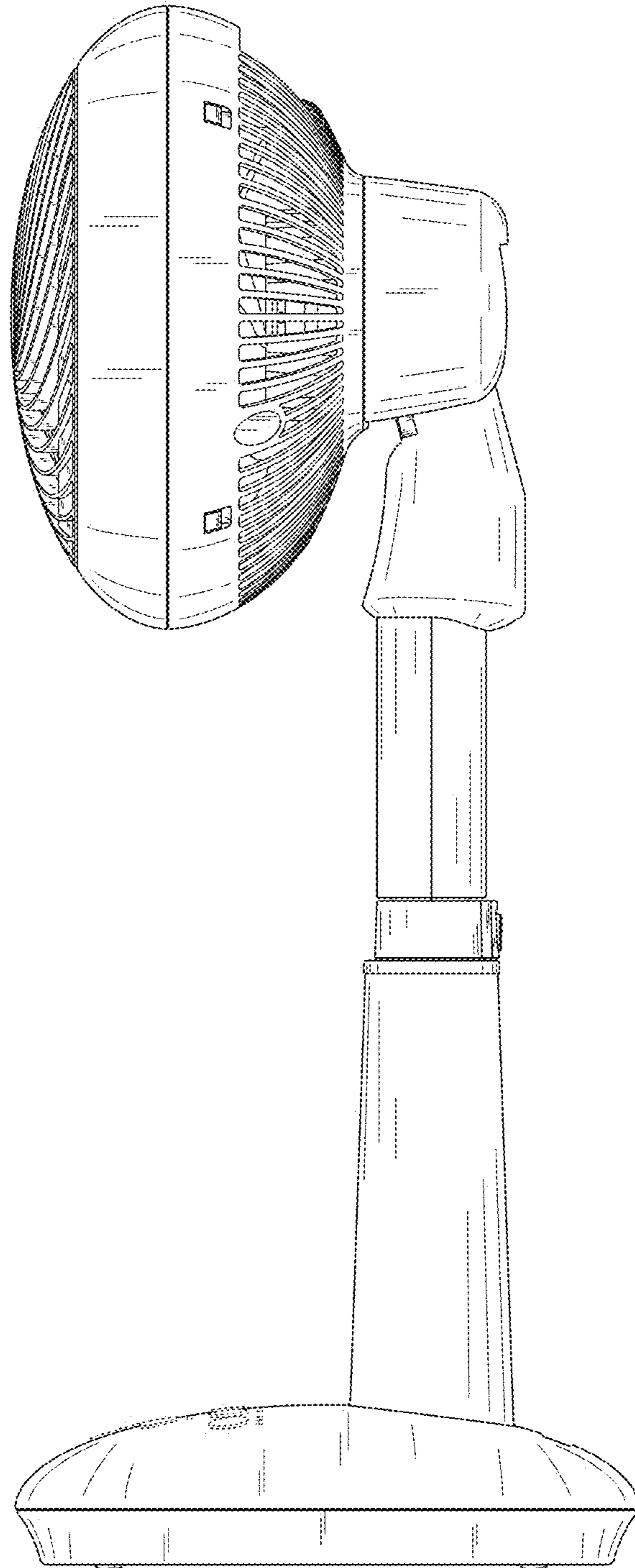


FIG. 7

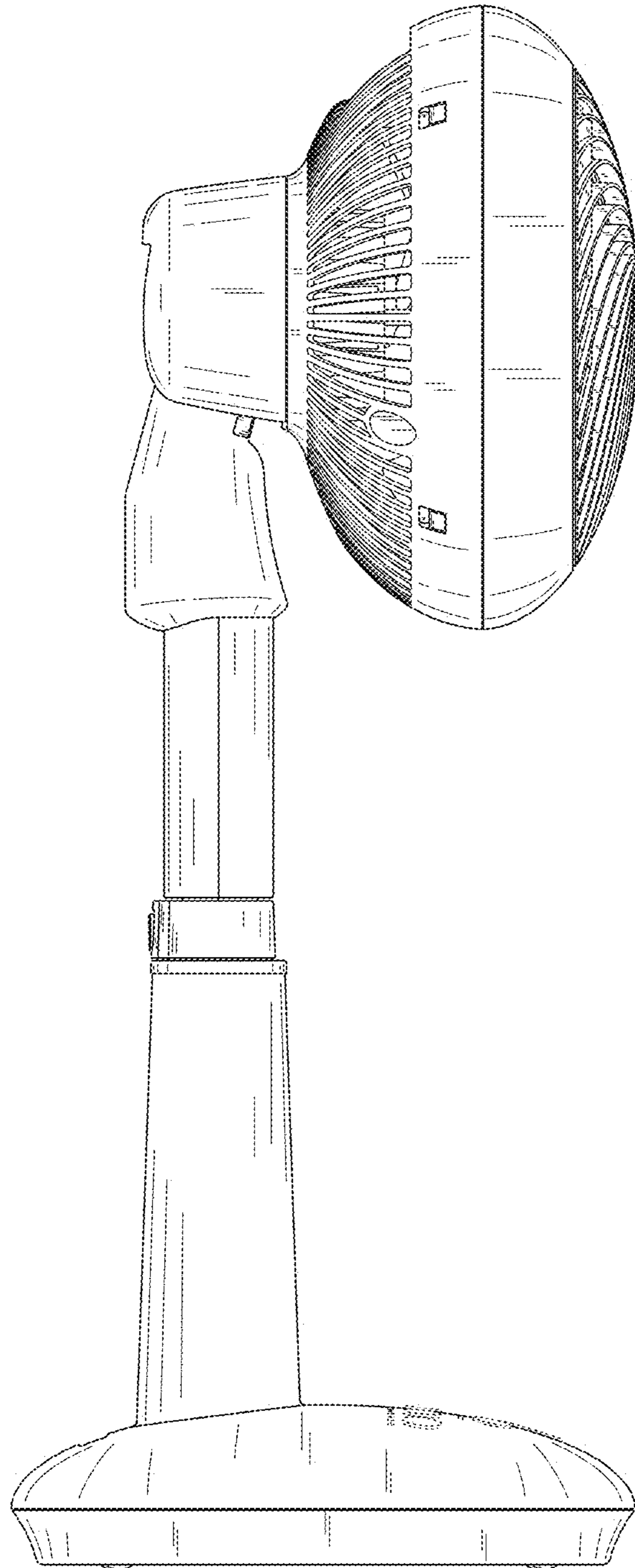


FIG. 8

