



US00D907756S

(12) **United States Design Patent**
Birchler et al.

(10) **Patent No.:** **US D907,756 S**

(45) **Date of Patent:** **** Jan. 12, 2021**

(54) **CEILING FAN**

(71) Applicant: **DELTA T CORPORATION**,
Lexington, KY (US)

(72) Inventors: **Terry Birchler**, Blacklick, OH (US);
Jeff Accursi, Columbus, OH (US); **Erik Turocy**, Columbus, OH (US)

(73) Assignee: **DELTA T, LLC**, Lexington, KY (US)

(**) Term: **15 Years**

(21) Appl. No.: **29/596,465**

(22) Filed: **Mar. 8, 2017**

(51) **LOC (13) Cl.** **23-04**

(52) **U.S. Cl.**
USPC **D23/377**

(58) **Field of Classification Search**
USPC D26/59; D23/370, 377–382, 411–414
CPC F04D 25/088; F04D 29/38; F21V 21/03;
B63H 1/16

See application file for complete search history.

(56) **References Cited**

U.S. PATENT DOCUMENTS

D417,494 S	*	12/1999	Evans	D23/377
D507,342 S	*	7/2005	Chen	D23/377
D579,102 S	*	10/2008	Leung	D23/411
D605,333 S	*	12/2009	Miranda	D26/88
D621,087 S	*	8/2010	Nagane	D26/86
D639,415 S	*	6/2011	Dag	D23/377
D652,133 S	*	1/2012	Hiner	D23/377
D671,676 S	*	11/2012	Komarov	D26/88
D674,887 S	*	1/2013	Dyson	D23/370
D676,543 S	*	2/2013	Hiner	D23/377
D676,952 S	*	2/2013	Hiner	D23/377
D684,307 S	*	6/2013	Teller	D26/118
D690,409 S	*	9/2013	Noble	D23/377
D698,983 S	*	2/2014	Rampolla	D26/88
D747,453 S	*	1/2016	Stewart	D23/370

D777,312 S	*	1/2017	Badarello	D23/377
D789,507 S	*	6/2017	Badarello	D23/377
D799,680 S	*	10/2017	Wang	D23/385
D800,291 S	*	10/2017	Wang	D23/377
D804,645 S	*	12/2017	Habig	D23/411
D807,492 S	*	1/2018	Hidalgo	D23/377
D816,826 S	*	5/2018	Johnson	D23/377
D835,250 S	*	12/2018	Baek	D23/377
D858,735 S	*	9/2019	Wang	D23/377
D860,430 S	*	9/2019	Orozco	D23/377
D861,849 S	*	10/2019	Hidalgo	D23/377
D865,936 S	*	11/2019	Lee	D23/377

(Continued)

OTHER PUBLICATIONS

The Murray; The Murray Hong Kong hotel; 84-inch Haiku ceiling fans; Jan. 15, 2018; <https://www.bigassfans.com/press-releases/big-ass-fans-featured-hong-kongs-murray-hotel/>.

(Continued)

Primary Examiner — Janice Hallmark

(74) *Attorney, Agent, or Firm* — King & Schickli, PLLC

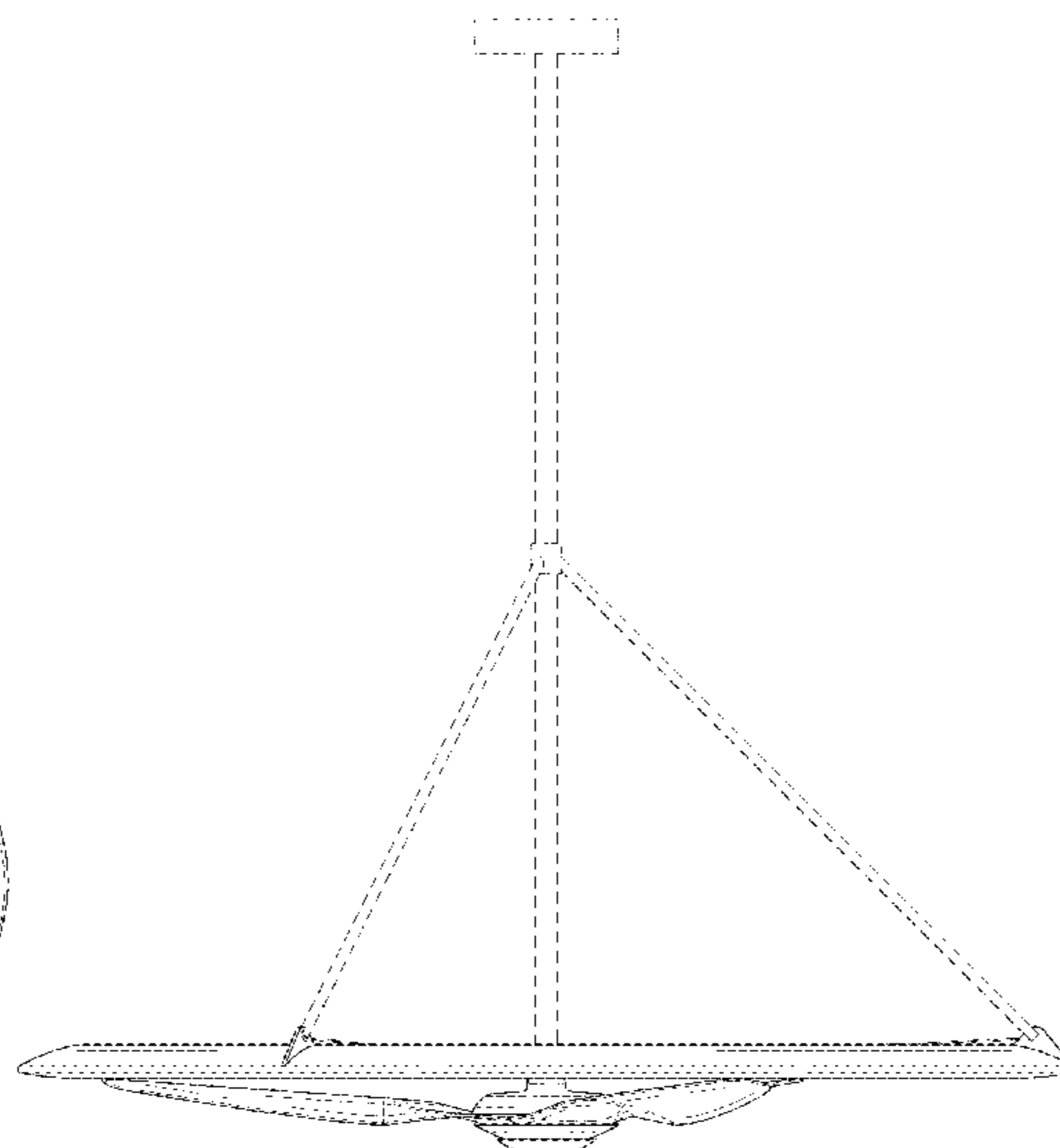
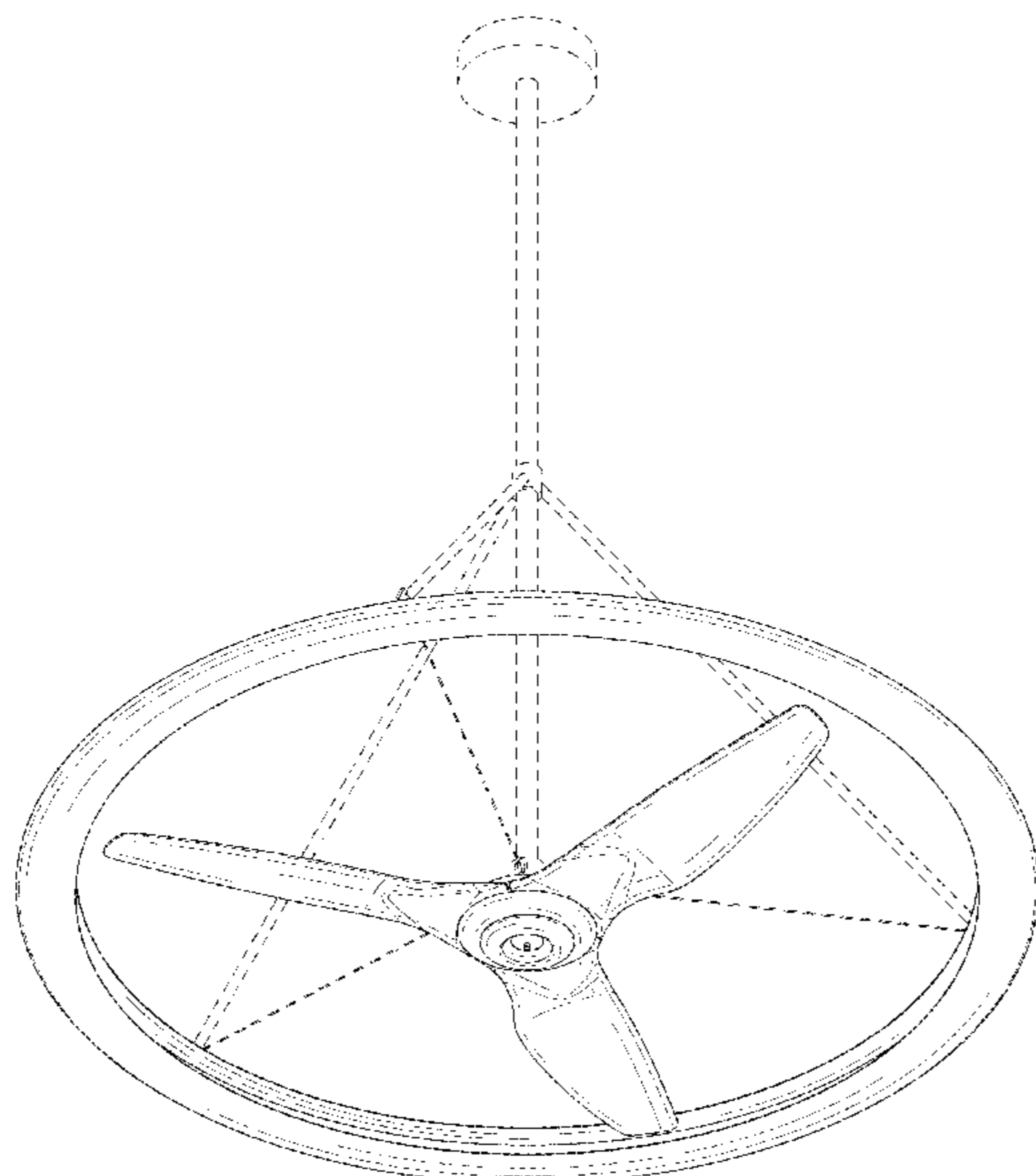
(57) **CLAIM**

The ornamental design for a ceiling fan, as shown and described.

DESCRIPTION

FIG. 1 is a top perspective view of the ceiling fan; FIG. 2 is a bottom perspective view of the ceiling fan of FIG. 1; FIG. 3 is a front view of the ceiling fan of FIG. 1; FIG. 4 is a right side view of the ceiling fan of FIG. 1; FIG. 5 is a rear view of the ceiling fan of FIG. 1; FIG. 6 is a left side view of the ceiling fan of FIG. 1; FIG. 7 is a bottom view of the ceiling fan of FIG. 1; and, FIG. 8 is a top view of the ceiling fan of FIG. 1. The broken lines in the drawings illustrate portions of the ceiling fan that form no part of the claimed design.

1 Claim, 8 Drawing Sheets



(56)

References Cited

U.S. PATENT DOCUMENTS

10,487,852 B2 * 11/2019 Avedon F04D 29/601
D890,978 S * 7/2020 Birchler D26/88
2014/0199185 A1 * 7/2014 Nicolas F04D 29/403
417/84
2014/0199186 A1 * 7/2014 Nicolas F04D 29/403
417/84
2015/0308440 A1 * 10/2015 Yang F04D 29/281
417/423.14
2018/0172014 A1 * 6/2018 Johnson F04D 29/34

OTHER PUBLICATIONS

Fosters + Partners, Proposal for The Murray, Bespoke design of Haiku Fan, 2017, United States.

* cited by examiner

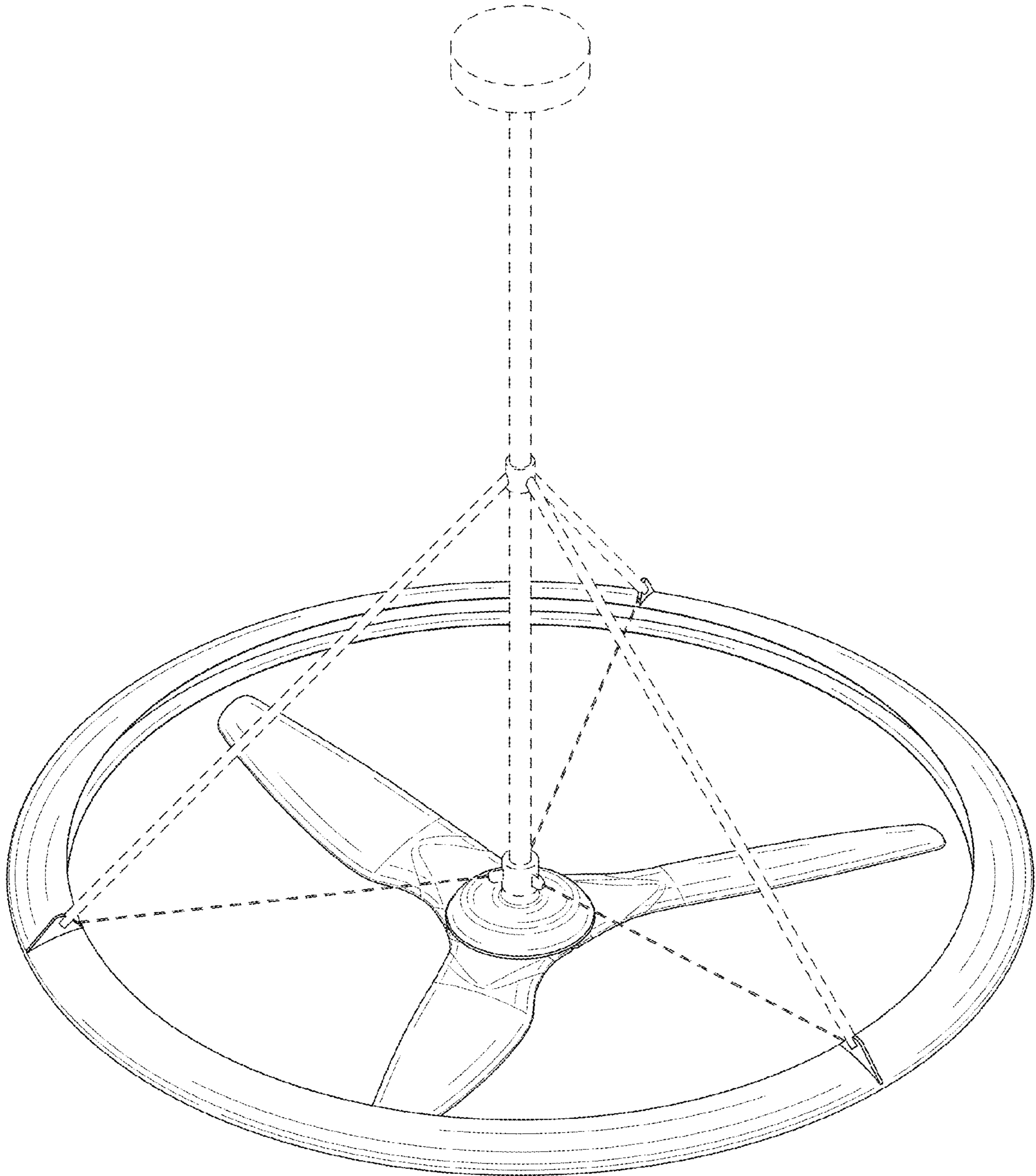


FIG. 1

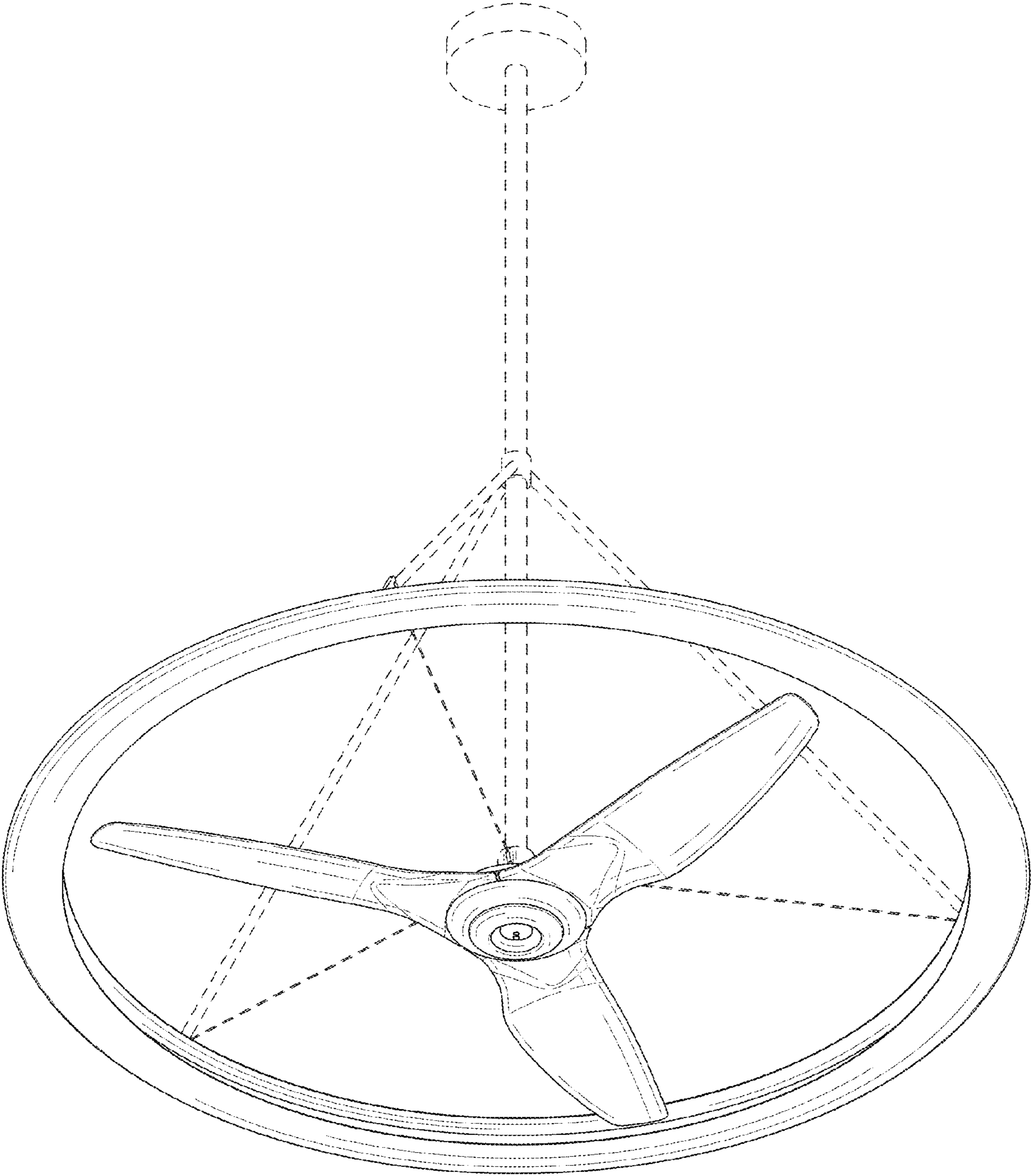


FIG. 2

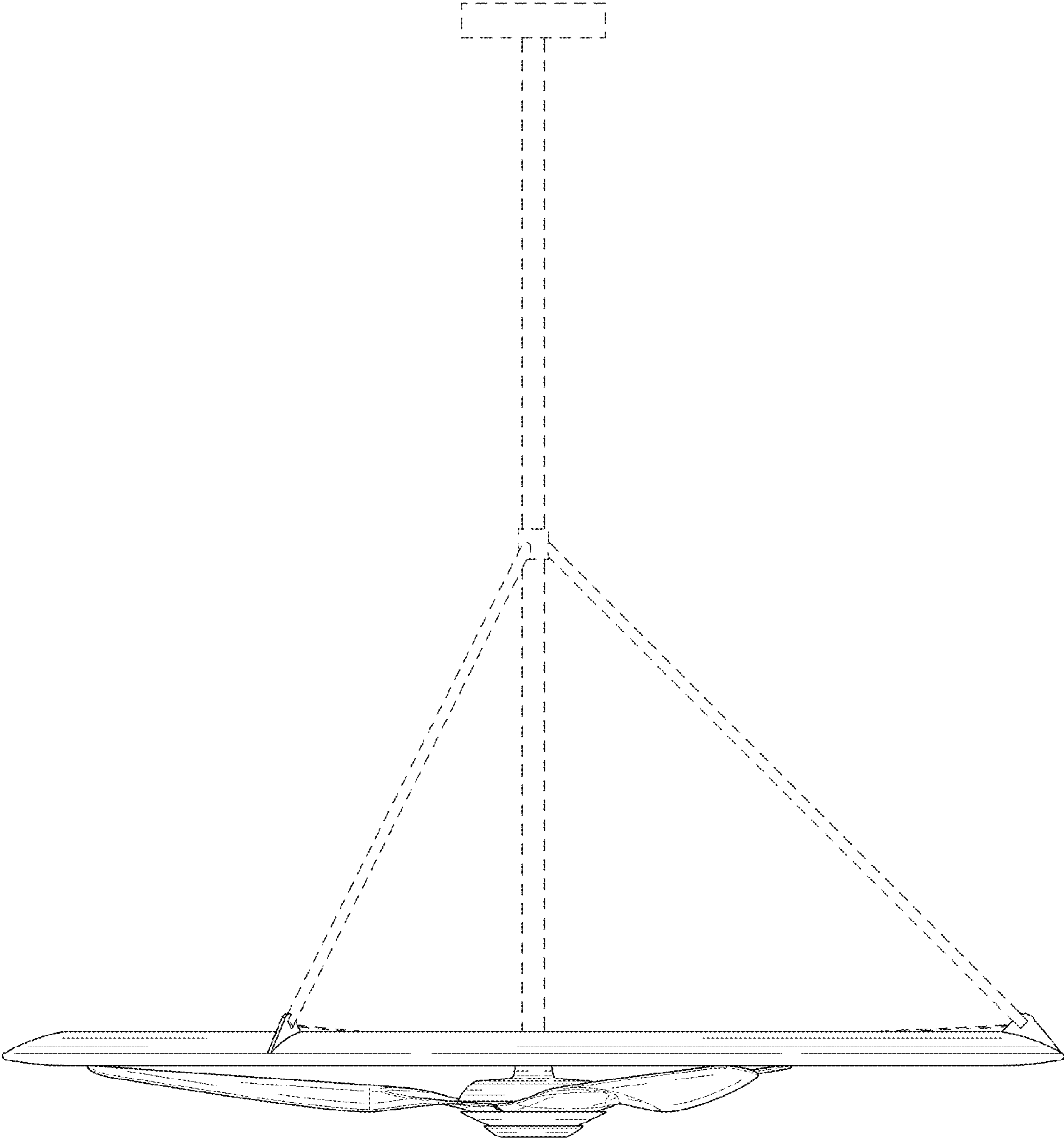


FIG. 3

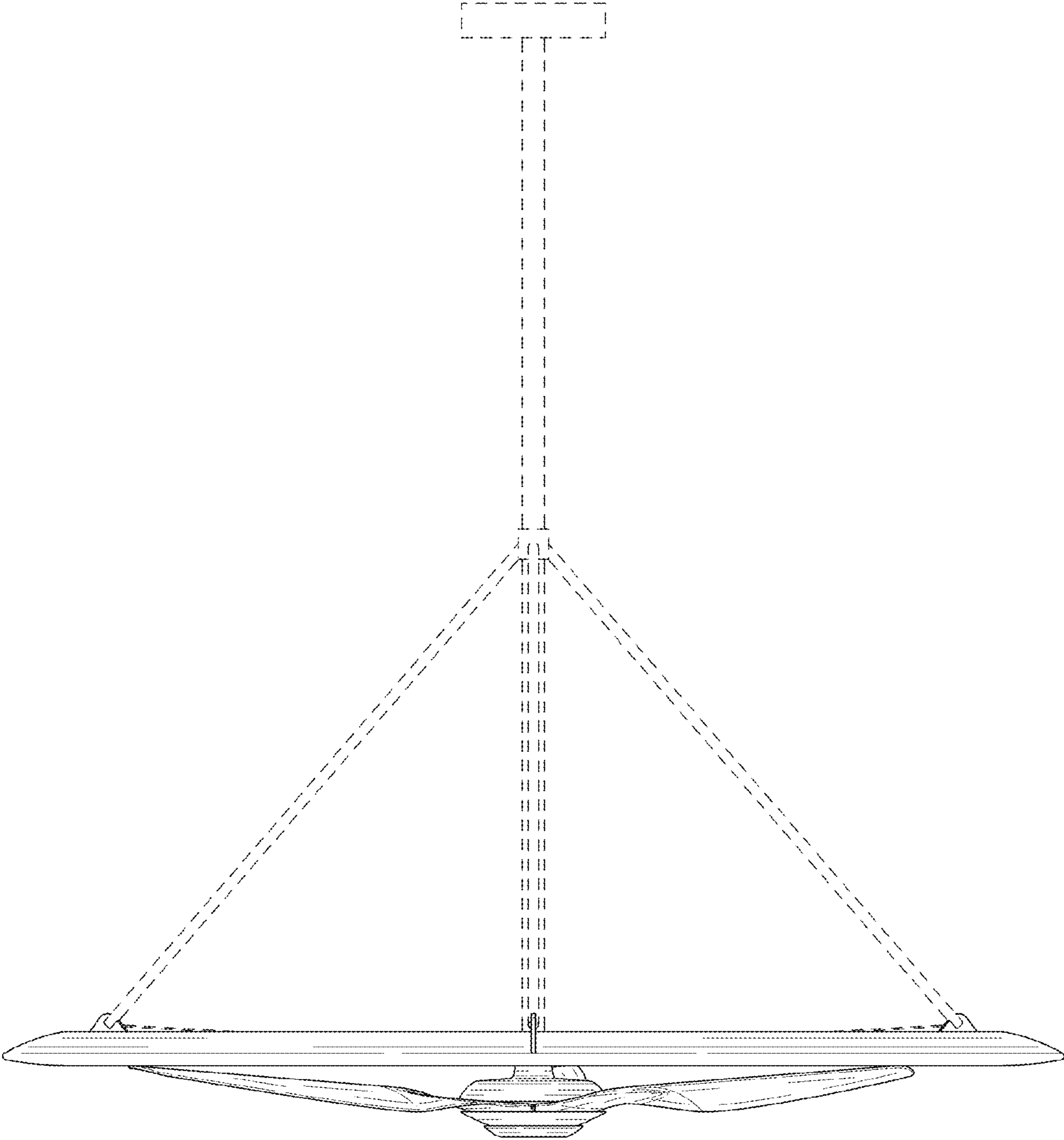


FIG. 4

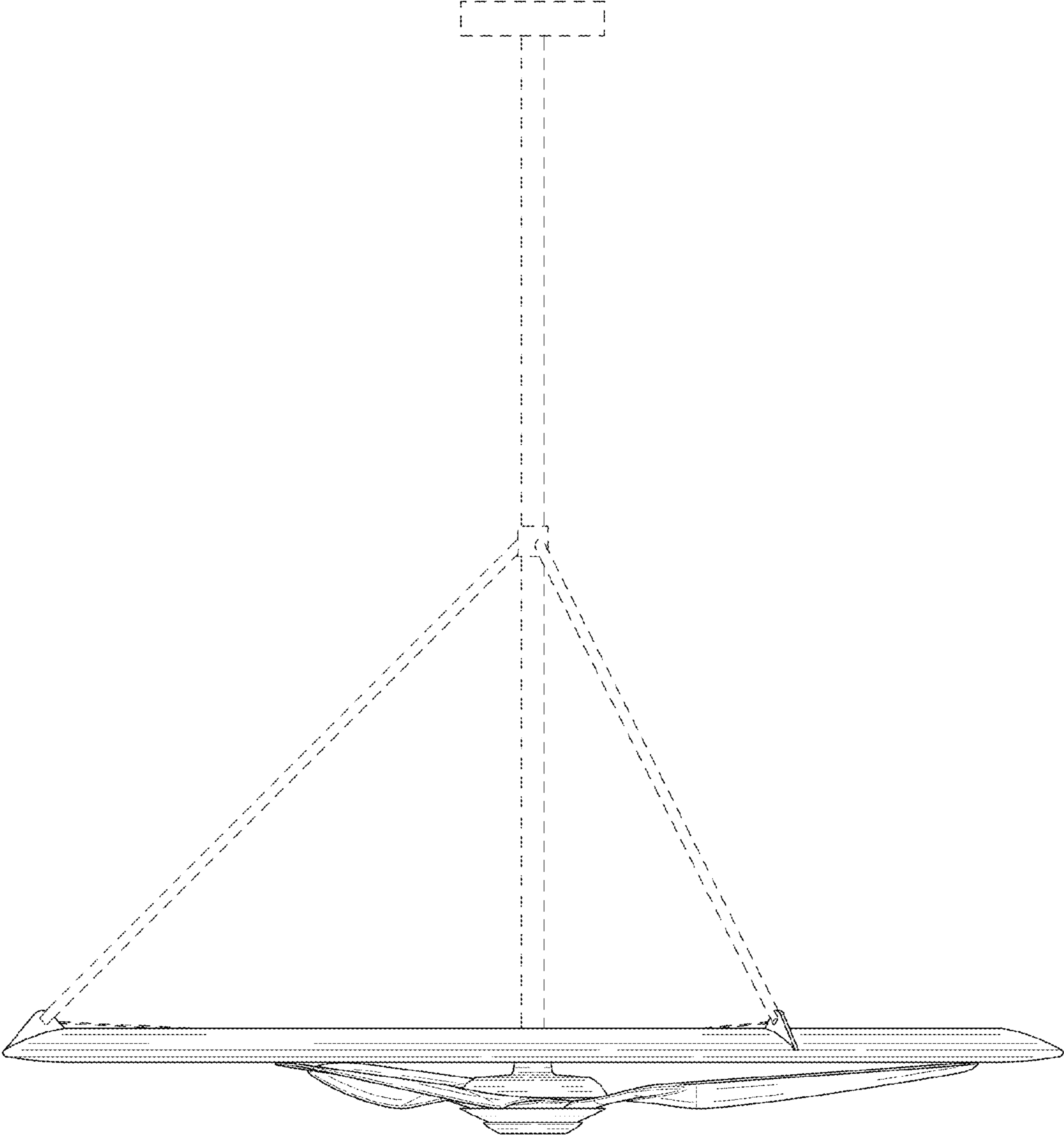


FIG. 5

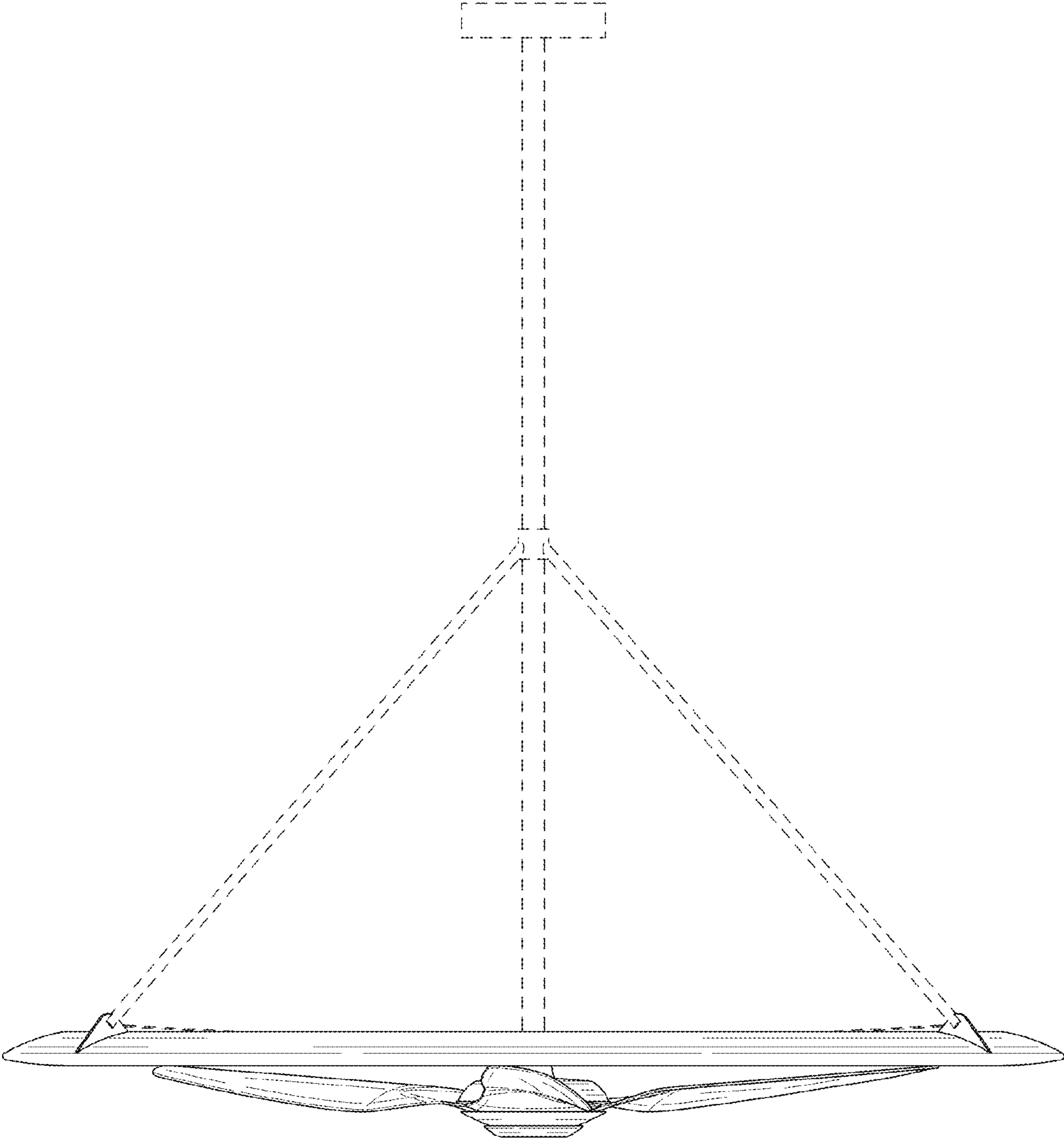


FIG. 6

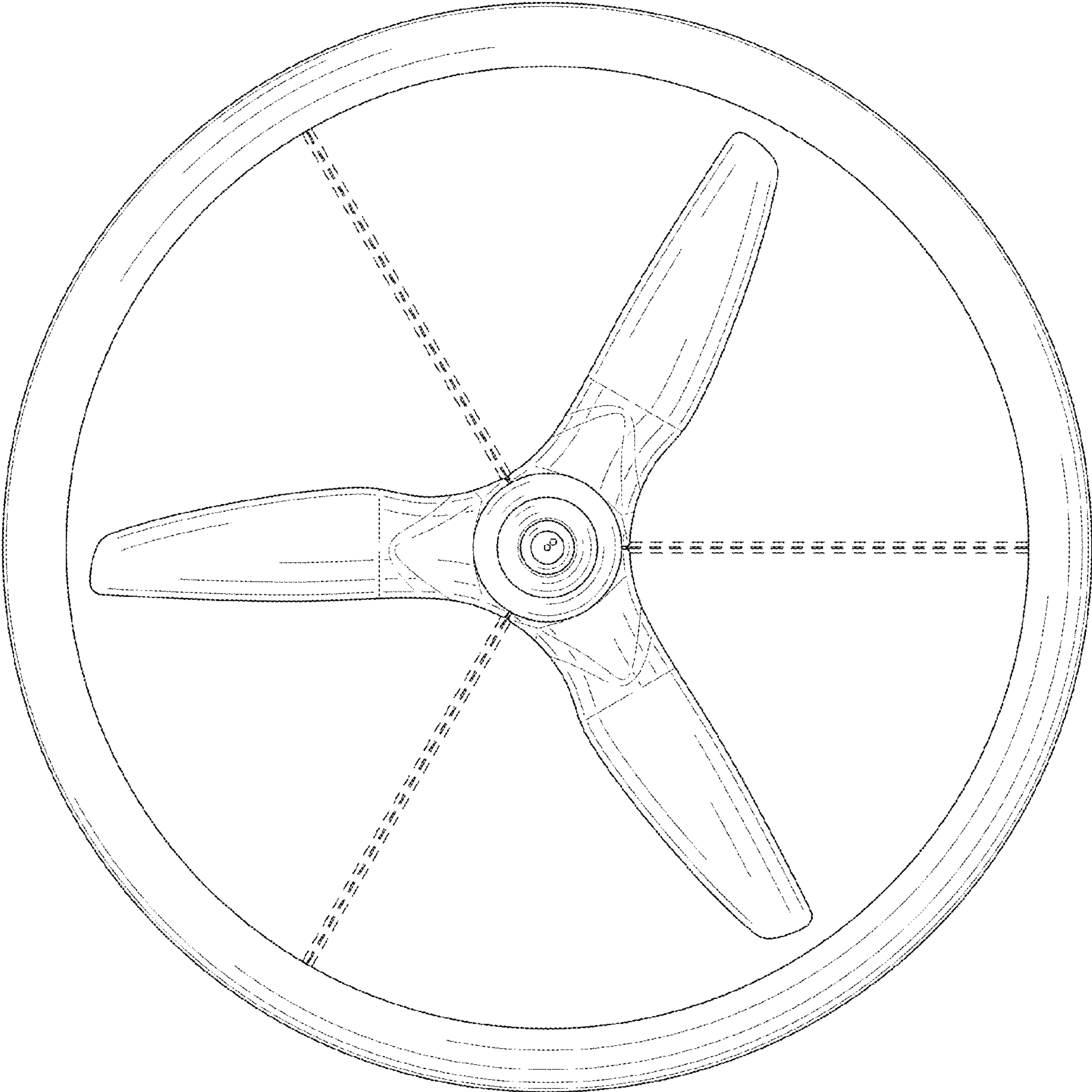


FIG. 7

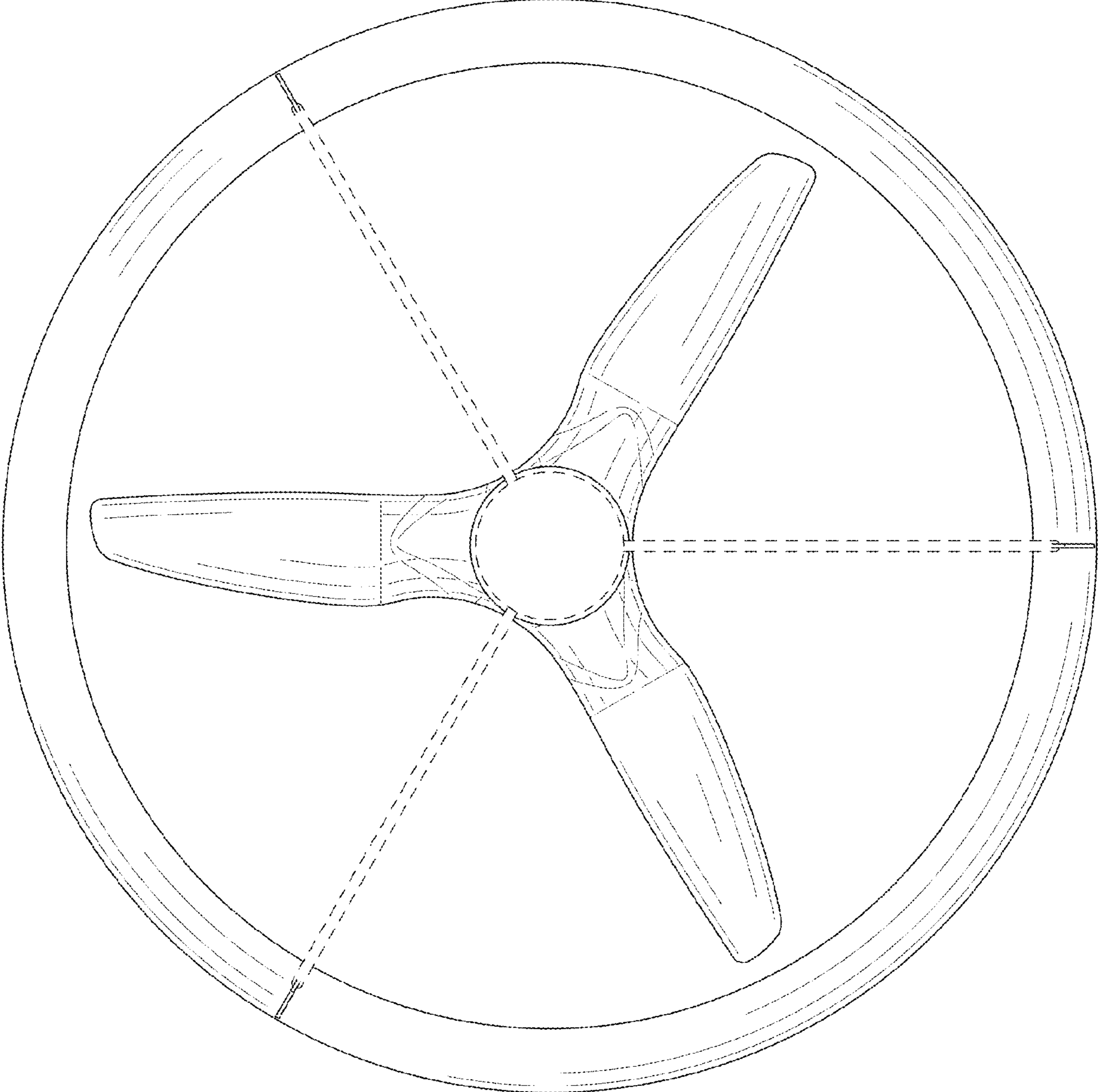


FIG. 8