



US00D907755S

(12) **United States Design Patent** (10) **Patent No.:** **US D907,755 S**  
**Choi** (45) **Date of Patent:** **\*\* Jan. 12, 2021**

(54) **FILTER FOR AIR PURIFICATION**  
(71) Applicant: **DARTECH Co., Ltd.**, Hwaseong-si (KR)  
(72) Inventor: **Kwi Seok Choi**, Seoul (KR)  
(\*\*) Term: **15 Years**  
(21) Appl. No.: **35/507,514**  
(22) Filed: **Apr. 9, 2019**

D541,399 S \* 4/2007 Khalil ..... D23/365  
D565,715 S \* 4/2008 Wu ..... D23/366  
D615,149 S \* 5/2010 Reid ..... D23/209  
D681,678 S \* 5/2013 Portillo ..... D15/5  
D704,226 S \* 5/2014 Lee ..... D15/5  
D708,728 S \* 7/2014 Yoo ..... D23/364  
D762,833 S \* 8/2016 Ogg ..... D23/365  
9,707,503 B2 \* 7/2017 Gieseke ..... B01D 46/527  
D807,483 S \* 1/2018 Combs ..... D23/364  
D813,274 S \* 3/2018 Platt ..... D15/5  
D857,868 S \* 8/2019 Combs ..... D23/365  
D864,477 S \* 10/2019 Liu ..... D27/167  
D872,846 S \* 1/2020 Jessup ..... D23/364

(Continued)

(80) **Hague Agreement Data**  
Int. Filing Date: **Apr. 9, 2019**  
Int. Reg. No.: **DM/203309**  
Int. Reg. Date: **Apr. 9, 2019**  
Int. Reg. Pub. Date: **Oct. 18, 2019**

*Primary Examiner* — Richard E Chilcot  
(74) *Attorney, Agent, or Firm* — Stein IP, LLC

(57) **CLAIM**

The ornamental design for a filter for air purification, as shown and described.

(30) **Foreign Application Priority Data**

Oct. 11, 2018 (KR) ..... 30-2018-0046781  
(51) **LOC (13) Cl.** ..... **23-04**  
(52) **U.S. Cl.**  
USPC ..... **D23/365**  
CPC ..... **F04D 25/08** (2013.01)

**DESCRIPTION**

- 1. Filter for air purification
- 1.1 : Perspective
- 1.2 : Front
- 1.3 : Back
- 1.4 : Top
- 1.5 : Bottom
- 1.6 : Left
- 1.7 : Right

(58) **Field of Classification Search**  
USPC ..... D23/209, 341, 358, 363–365; D15/5  
CPC ..... F04D 25/08; F04D 29/403; F04D 29/522;  
F02M 35/04; F02M 35/10; F02M 35/024;  
B01D 46/0002; B01D 46/10  
See application file for complete search history.

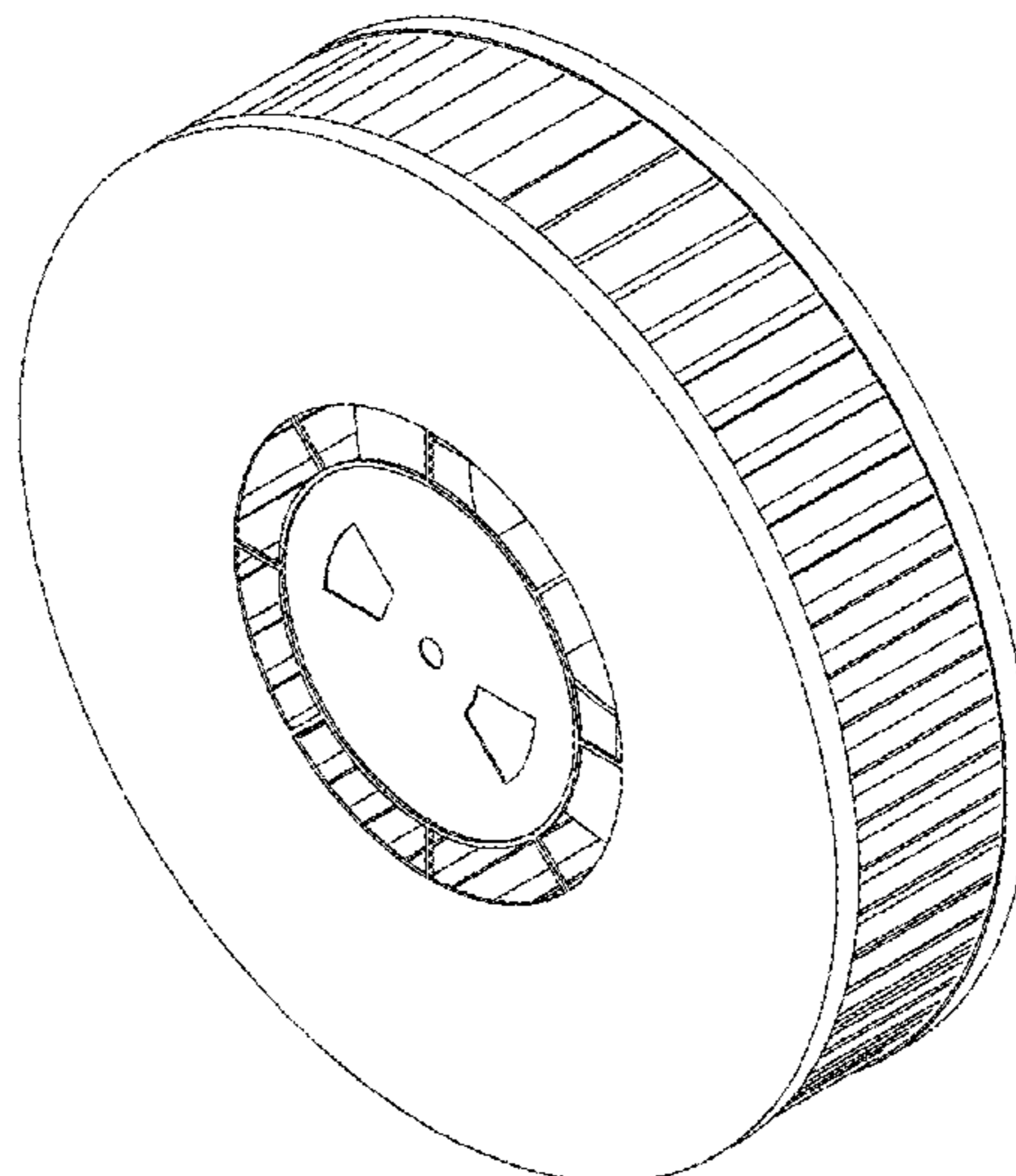
Materials: synthetic resin, metal and nonwoven fabric; the present design relates to a filter for an air cleaner which is used by removing a rotary blade in an electric fan and then inserting it into a motor shaft of an electric fan; the present design relates to a filter for an air purifier, which sucks contaminated air through vent holes provided on the front and back surfaces of the present design by using rotation force of the fan motor shaft and then discharges purified air after cleaning with a HEPA filter; the present design consists of a HEPA filter, an upper disc and a lower disc supporting the HEPA filter at upper and lower parts respectively, and a fan motor shaft fitting at the center.

(56) **References Cited**

**U.S. PATENT DOCUMENTS**

D269,294 S \* 6/1983 Rakocy ..... D23/365  
D293,796 S \* 1/1988 Nagy ..... D15/5  
D365,388 S \* 12/1995 Williams ..... D23/332  
D372,079 S \* 7/1996 Fago ..... D23/209  
D401,597 S \* 11/1998 Shelton ..... D15/5  
D464,129 S \* 10/2002 Xu ..... D23/365  
D530,807 S \* 10/2006 Miyagishima ..... D23/365

**1 Claim, 7 Drawing Sheets**



(56)

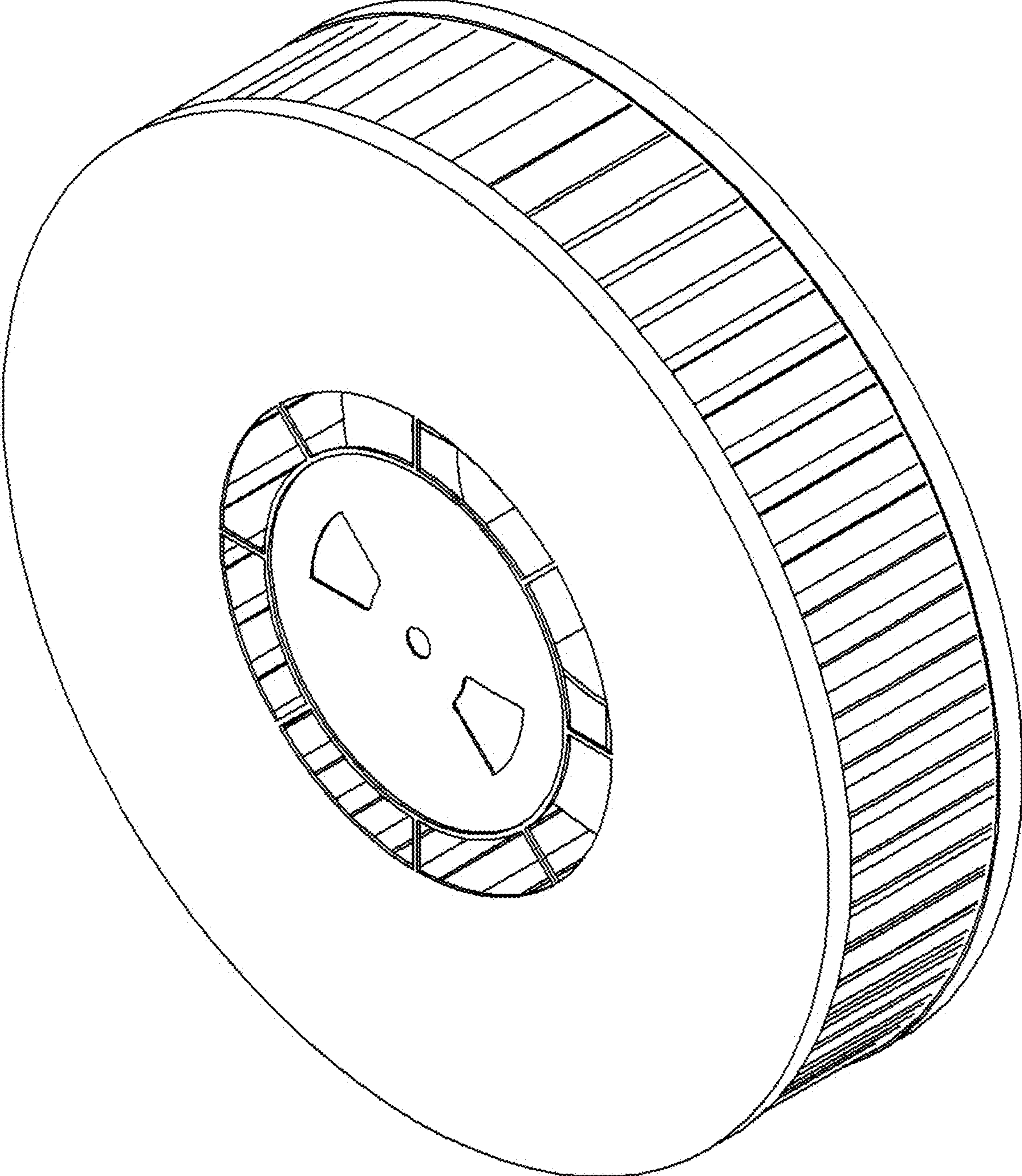
**References Cited**

U.S. PATENT DOCUMENTS

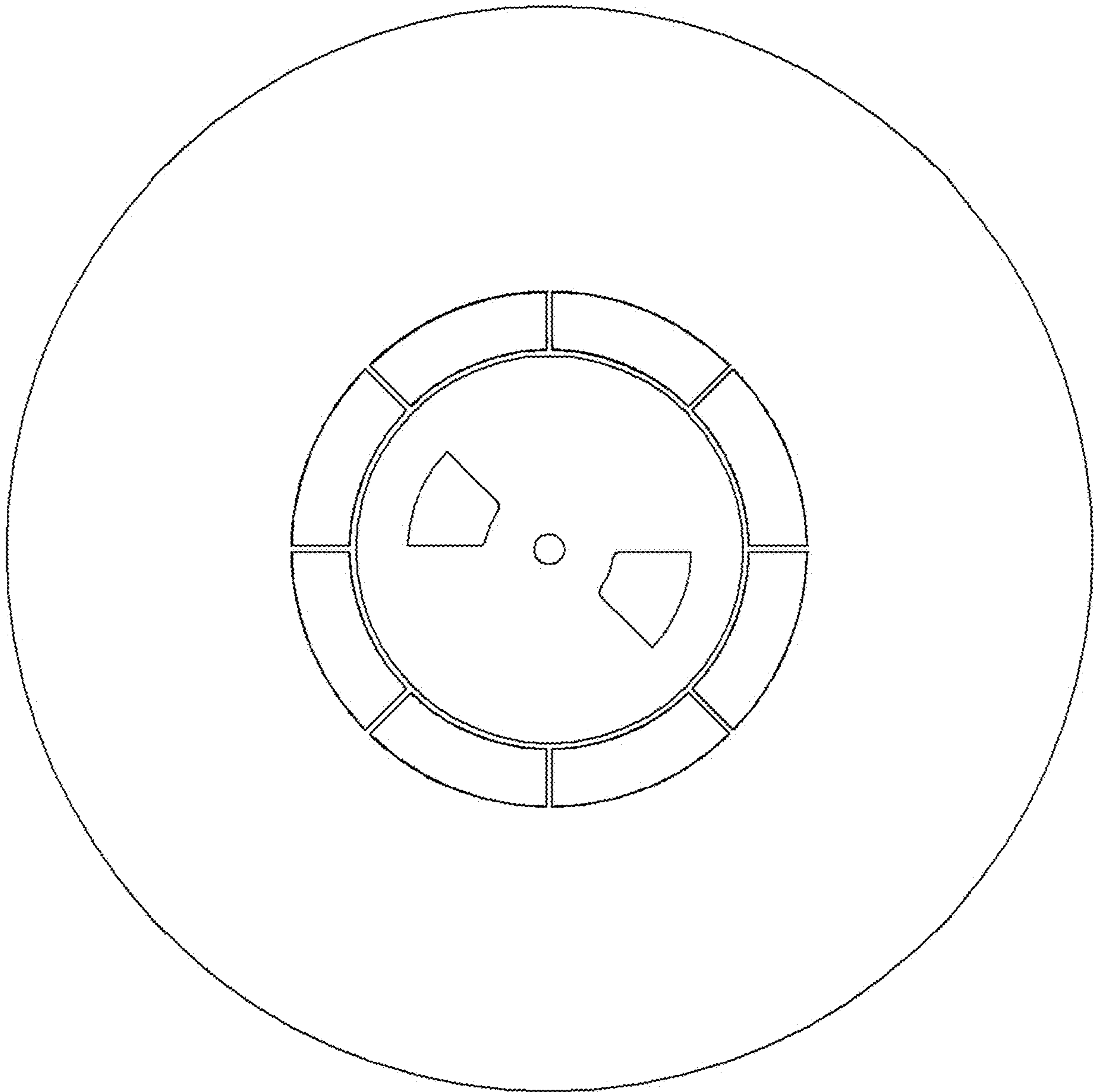
D874,627 S \* 2/2020 Nykowski ..... D23/364  
D875,235 S \* 2/2020 Coleman ..... D23/382  
D885,249 S \* 5/2020 Wessel ..... D11/131.1  
2017/0087499 A1\* 3/2017 Combs ..... G01N 33/0011  
2017/0260936 A1\* 9/2017 Williams ..... B01D 46/2411

\* cited by examiner

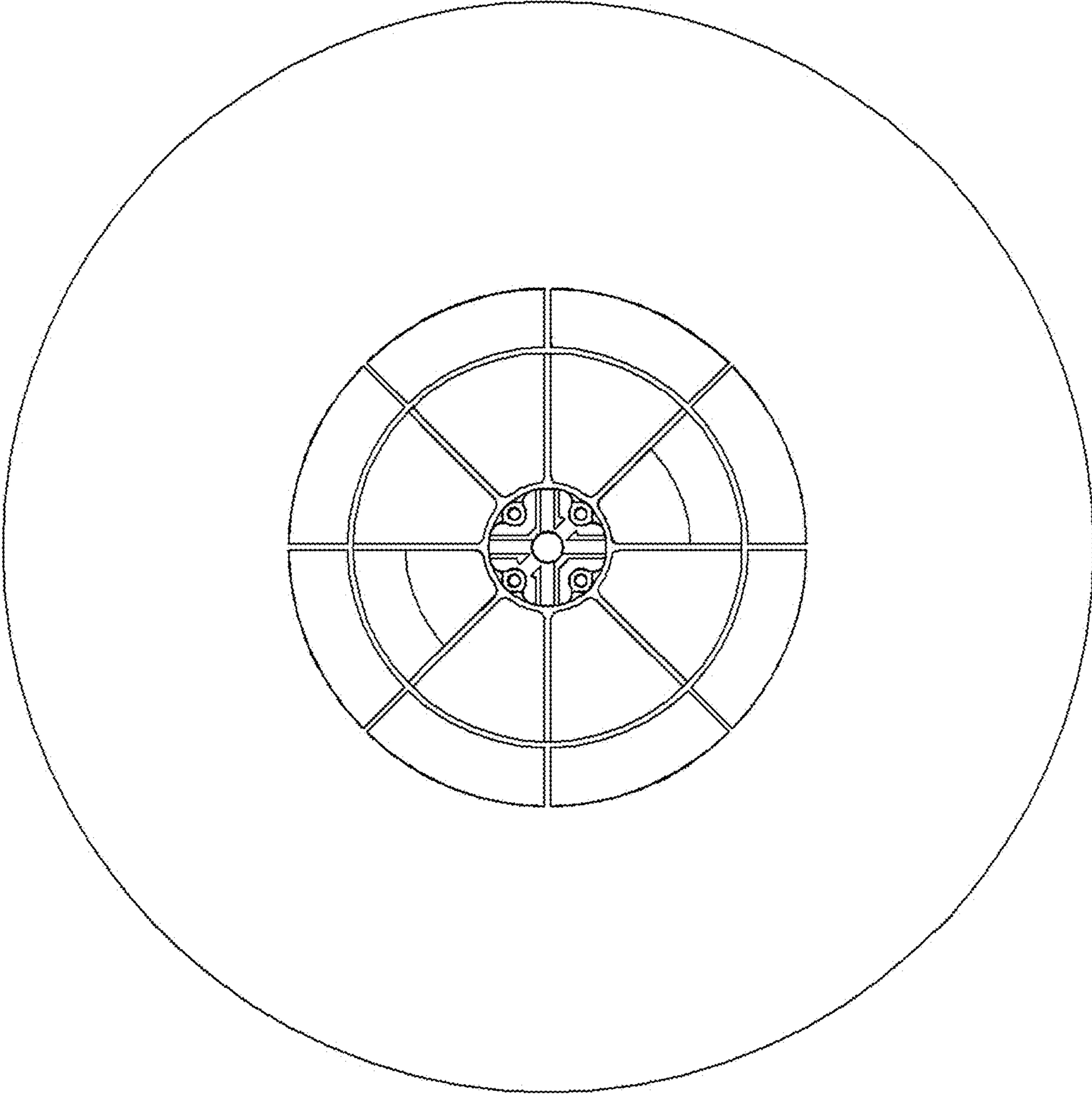
1.1



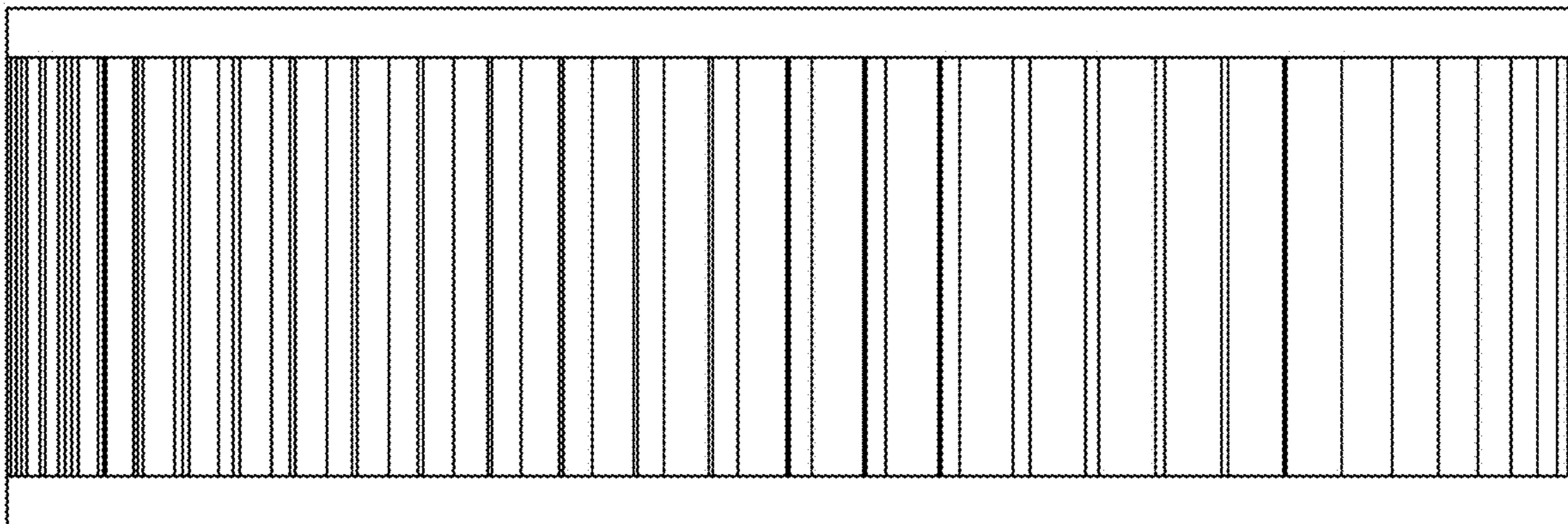
1.2



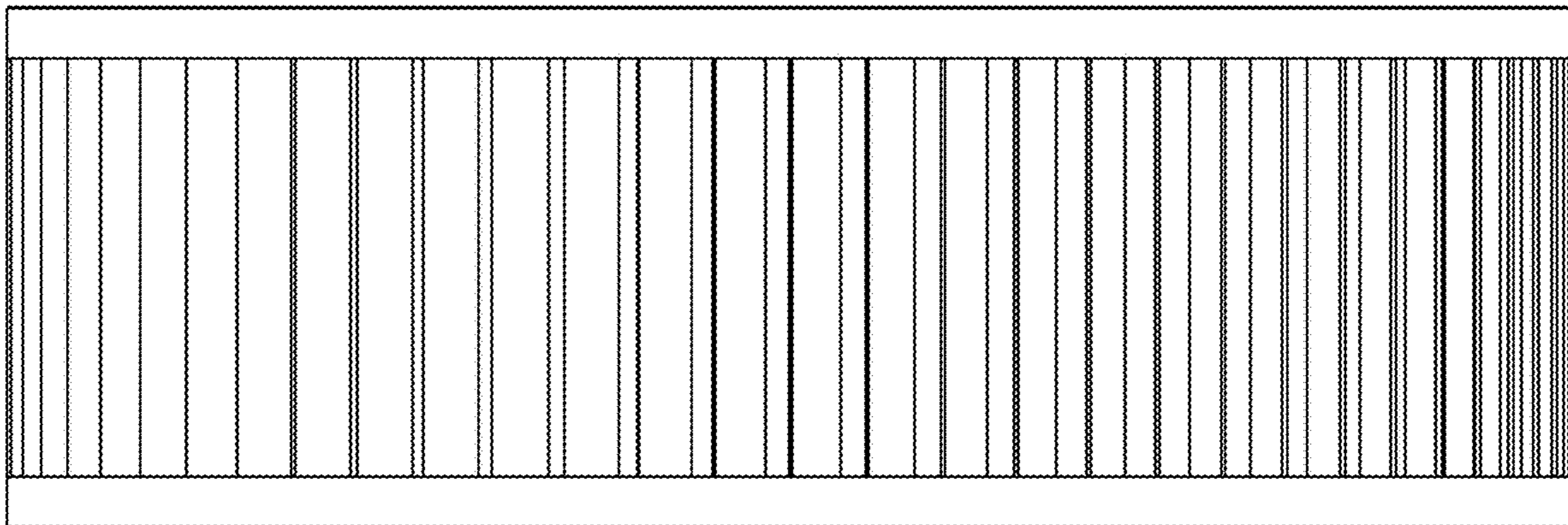
1.3



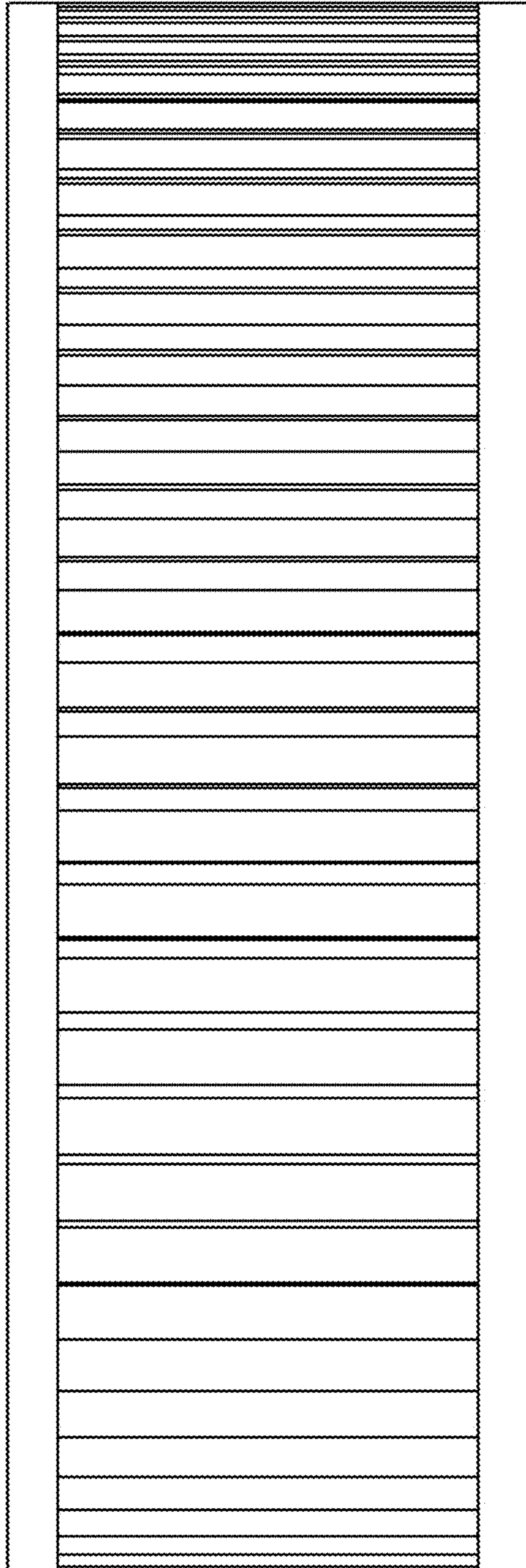
1.4



1.5



1.6





1.7

