



US00D907753S

(12) **United States Design Patent**
Tschopp

(10) **Patent No.:** **US D907,753 S**
(45) **Date of Patent:** **** Jan. 12, 2021**

(54) **HEATING DEVICE**

FOREIGN PATENT DOCUMENTS

(71) Applicant: **Black & Decker Inc.**, New Britain, CT (US)

CA 2432714 C * 12/2006
CA 2713971 A1 * 2/2011 F24H 3/006

(72) Inventor: **Tylan A. Tschopp**, Baltimore, MD (US)

* cited by examiner

(73) Assignee: **BLACK & DECKER INC.**, New Britain, CT (US)

Primary Examiner — Ania Aman

(74) *Attorney, Agent, or Firm* — Adan Ayala

(**) Term: **15 Years**

(21) Appl. No.: **29/664,578**

(57) **CLAIM**

(22) Filed: **Sep. 26, 2018**

The ornamental design for a heating device, as shown and described.

(51) **LOC (13) Cl.** **23-03**

(52) **U.S. Cl.**
USPC **D23/335**

(58) **Field of Classification Search**
USPC D23/314, 317, 318, 324, 325, 327, 329,
D23/332, 333, 334, 335, 336, 337, 338,
D23/339, 340, 341, 342, 351, 355, 356,
D23/359, 360, 364, 366
CPC F24F 6/00; F24F 2006/008; F24F 6/02;
F24F 6/12; F24F 5/0035; F24H 9/2071;
F24H 9/0052; F24H 9/02; F24H 3/006;
F24H 3/002; F24H 3/00; F24H 3/02;
F24H 3/022; F24H 3/0411; F24H 3/0417;
F24H 3/0488; F24H 9/0073; F24H
9/1881; F24D 19/06; F23D 14/36
See application file for complete search history.

DESCRIPTION

FIG. 1 is a front perspective view of a heating device according to the invention.
FIG. 2 is a front view of the heating device of FIG. 1.
FIG. 3 is a rear view of the heating device of FIG. 1.
FIG. 4 is a left side view of the heating device of FIG. 1.
FIG. 5 is a right side view of the heating device of FIG. 1.
FIG. 6 is a top plan view of the heating device of FIG. 1.
FIG. 7 is a bottom plan view of the heating device of FIG. 1; and,
FIG. 8 is a rear perspective view of the heating device of FIG. 1.

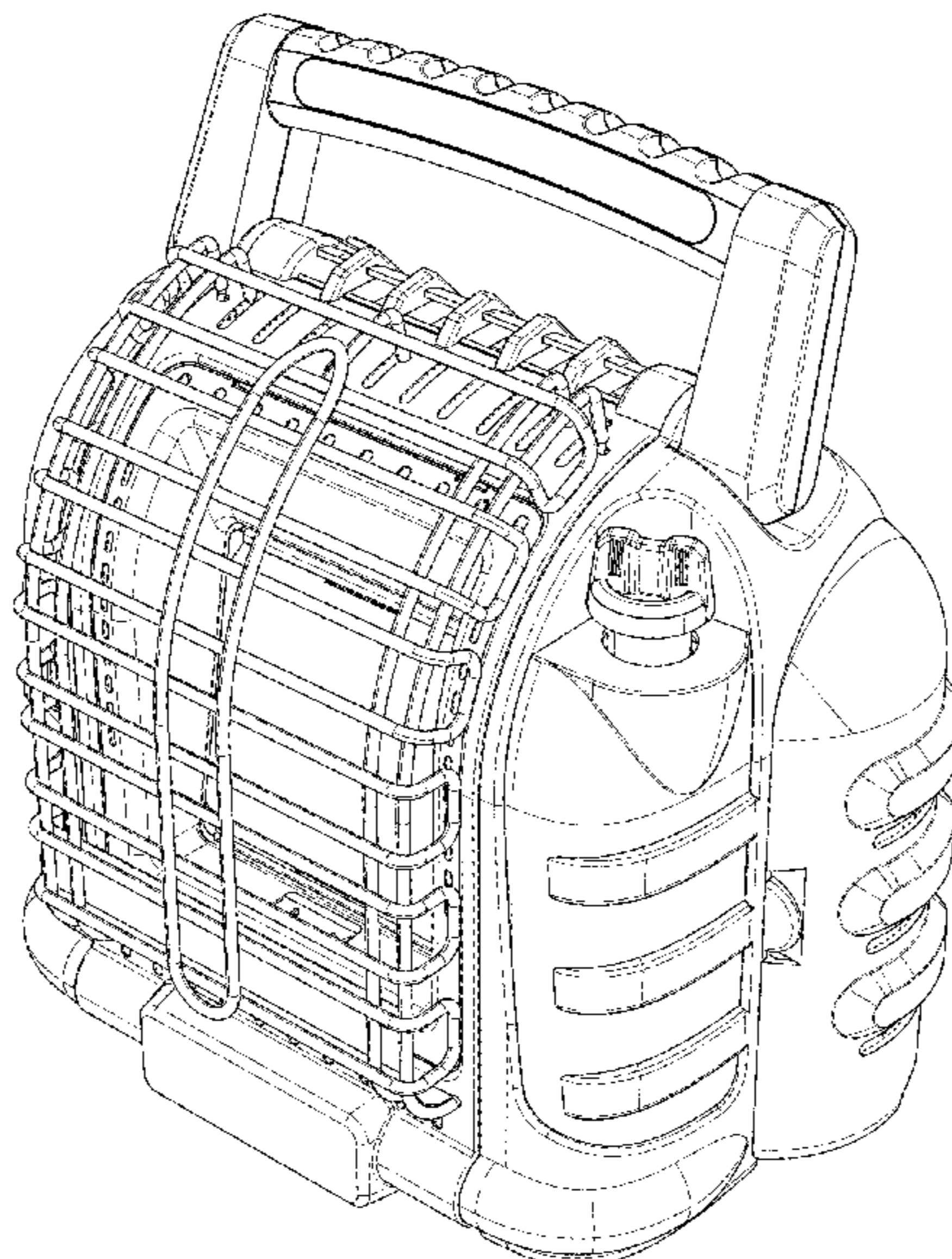
The broken lines shown in the drawings are included for the purpose of illustrating portions of the article that form no part of the claimed design.

(56) **References Cited**

U.S. PATENT DOCUMENTS

2003/0034026 A1* 2/2003 McCalley F24C 1/12
126/92 R
2006/0018640 A1* 1/2006 Hinesley F24C 15/22
392/420
2012/0180784 A1* 7/2012 Vandrak F24H 3/006
126/92 AC
2017/0254544 A1* 9/2017 Beerens A47J 36/26

1 Claim, 8 Drawing Sheets



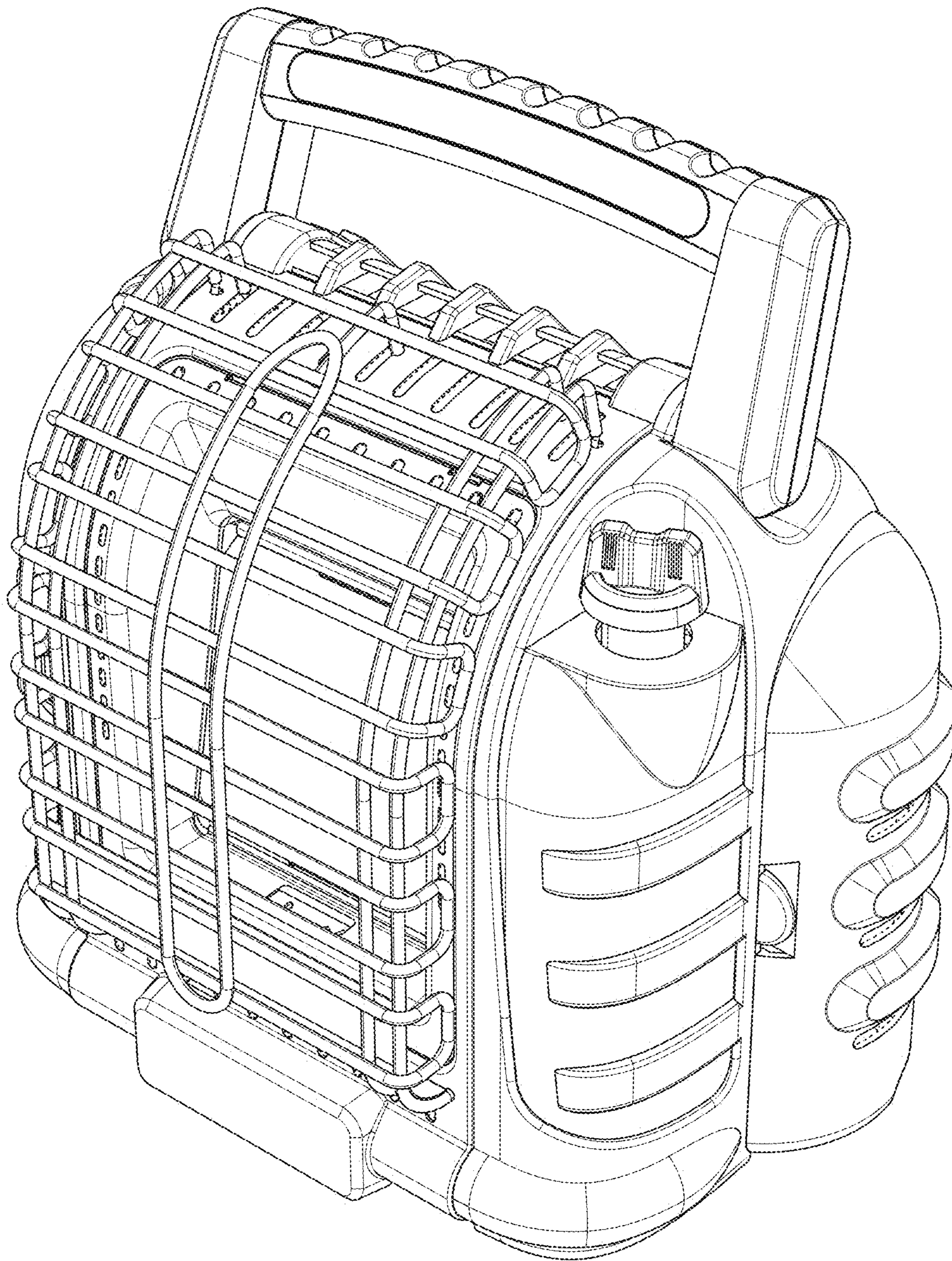


FIG. 1

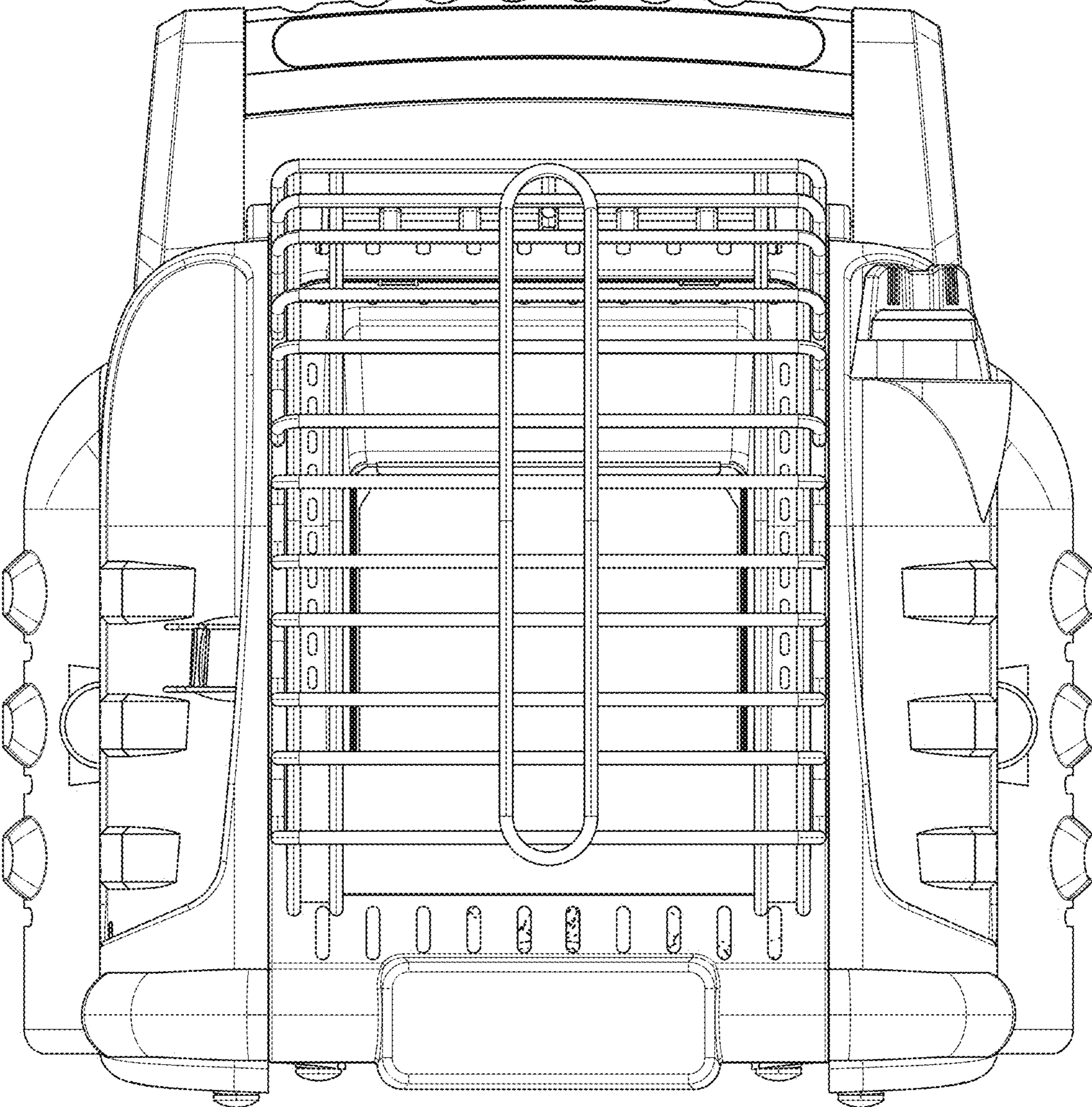


FIG. 2

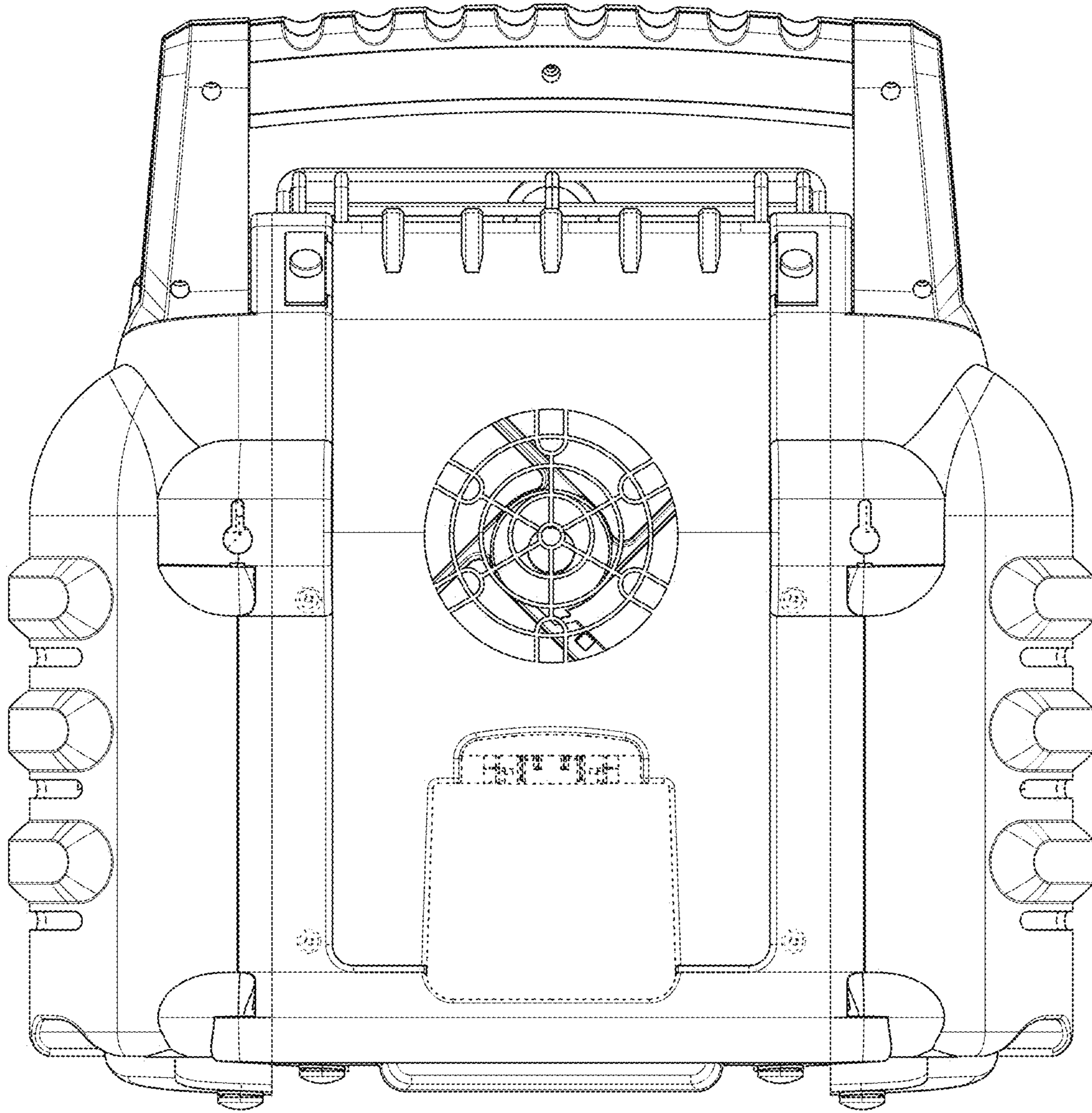


FIG. 3

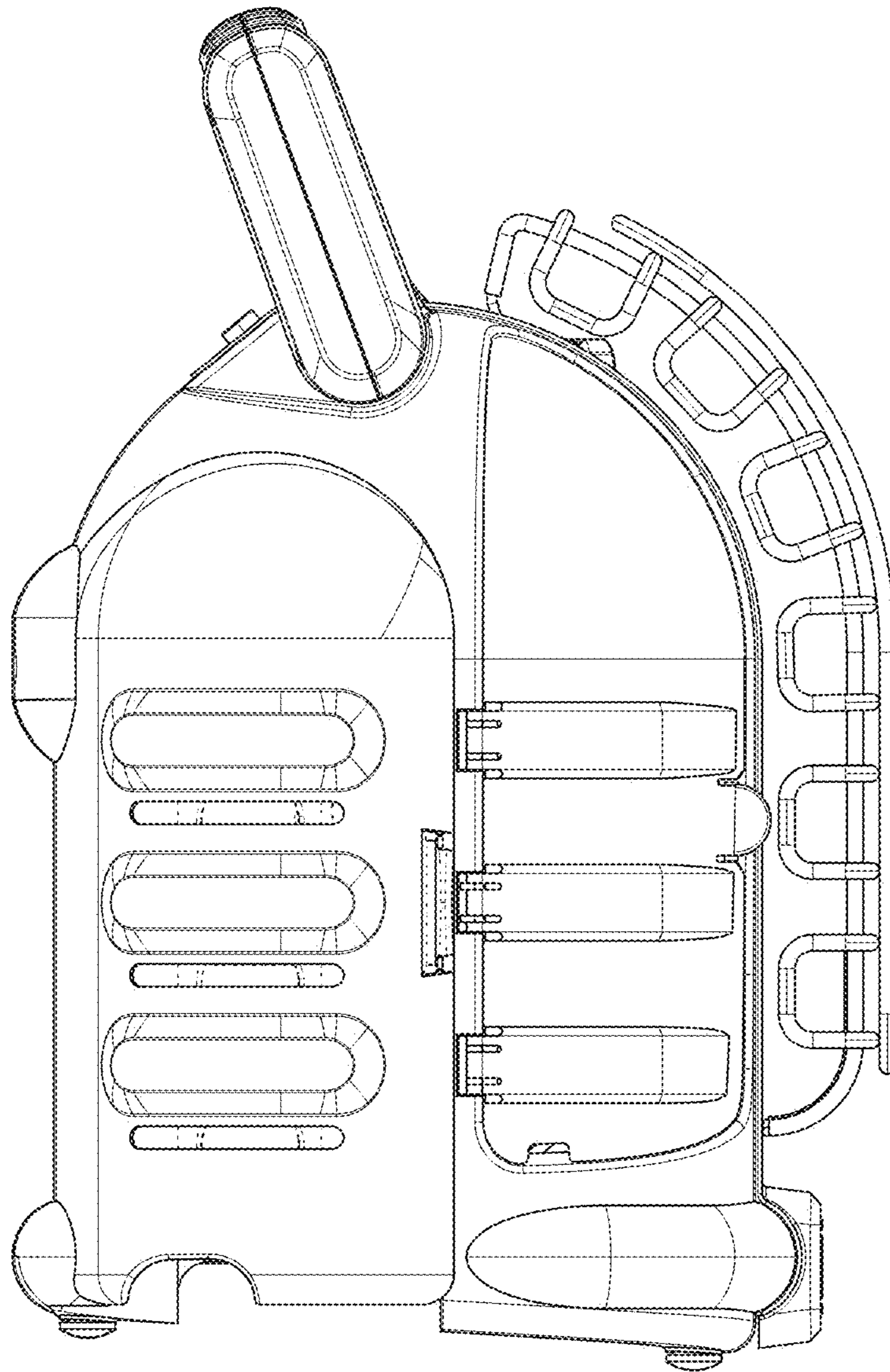


FIG. 4

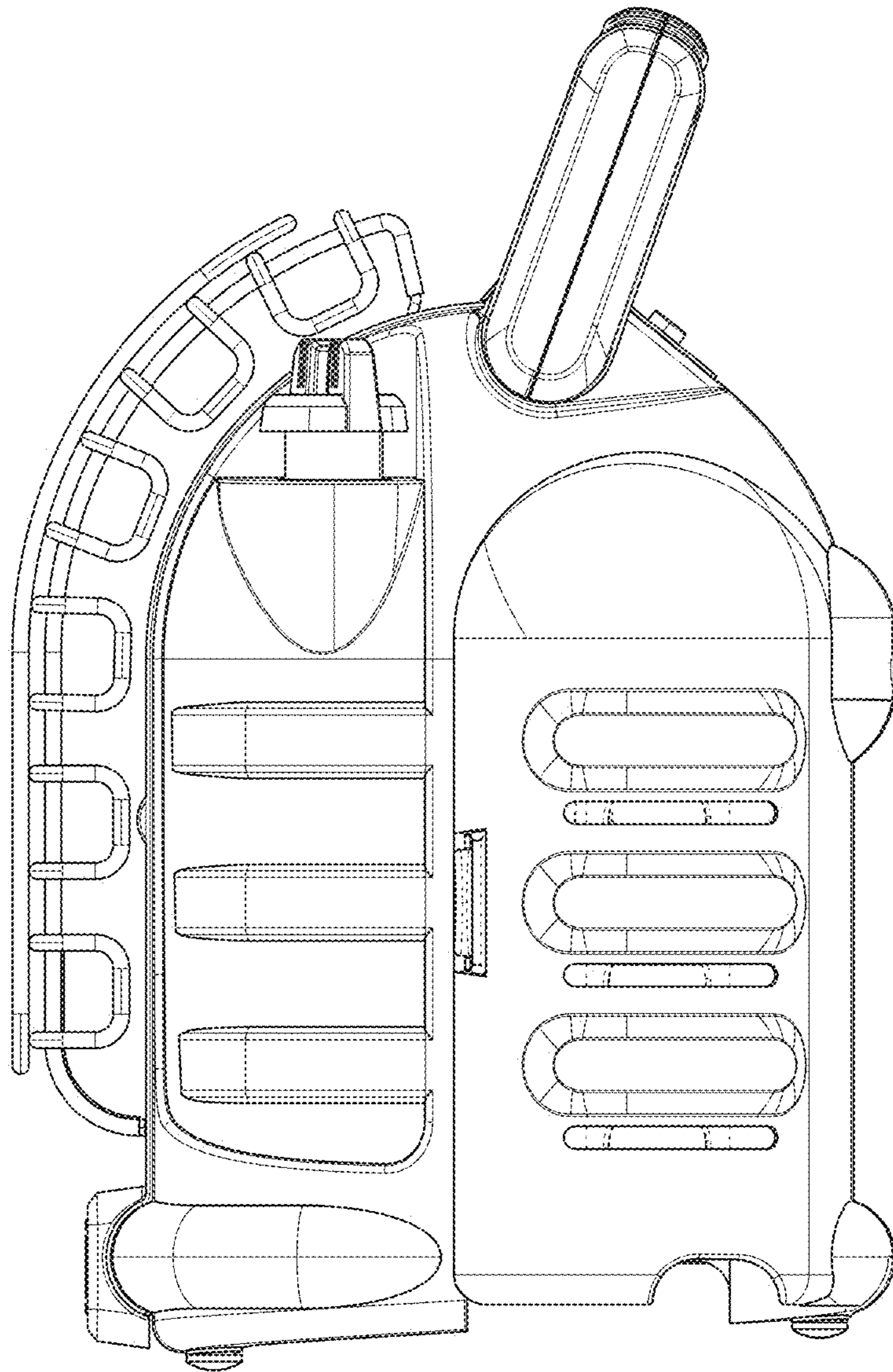


FIG. 5

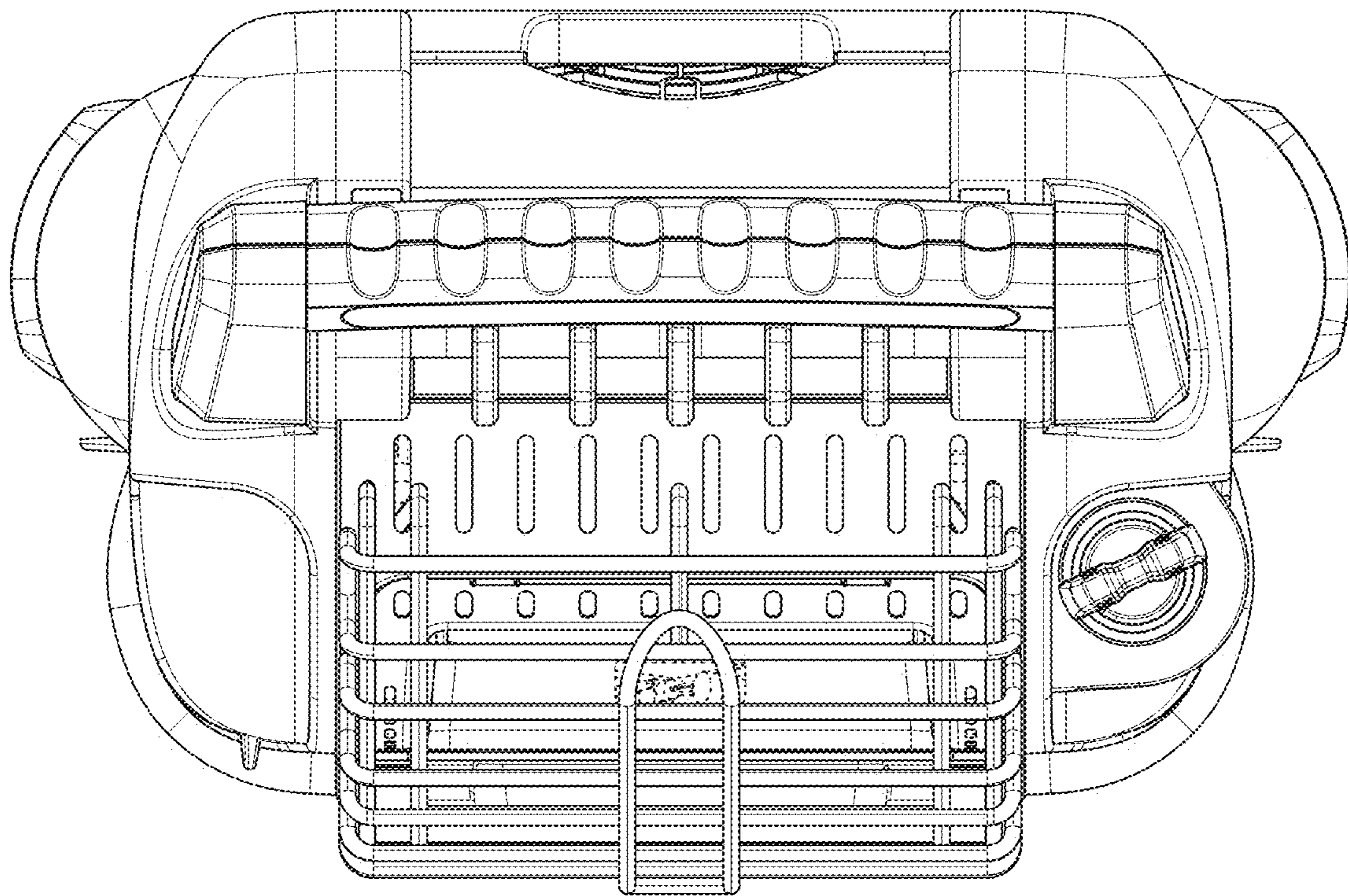


FIG. 6

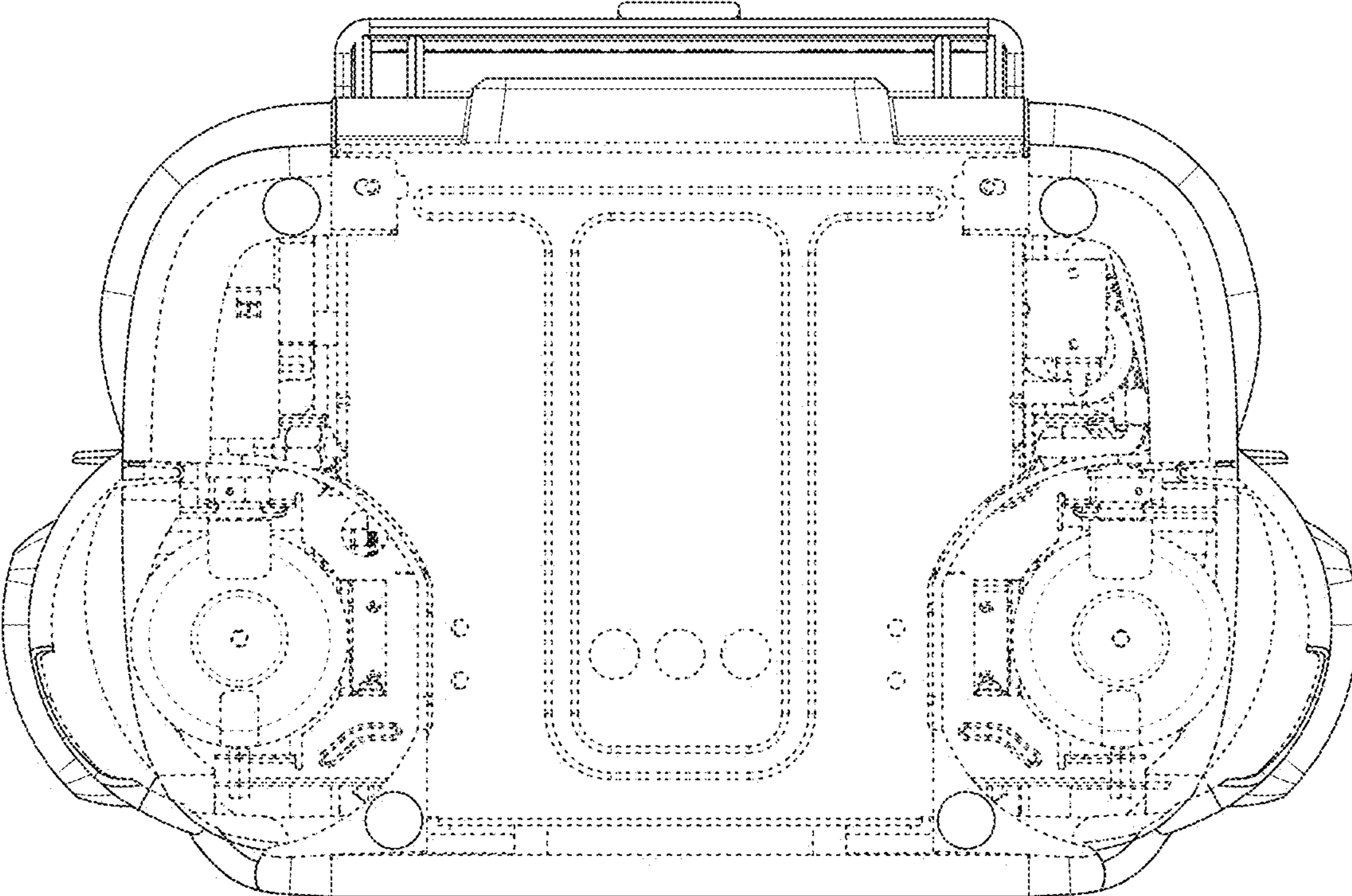


FIG. 7

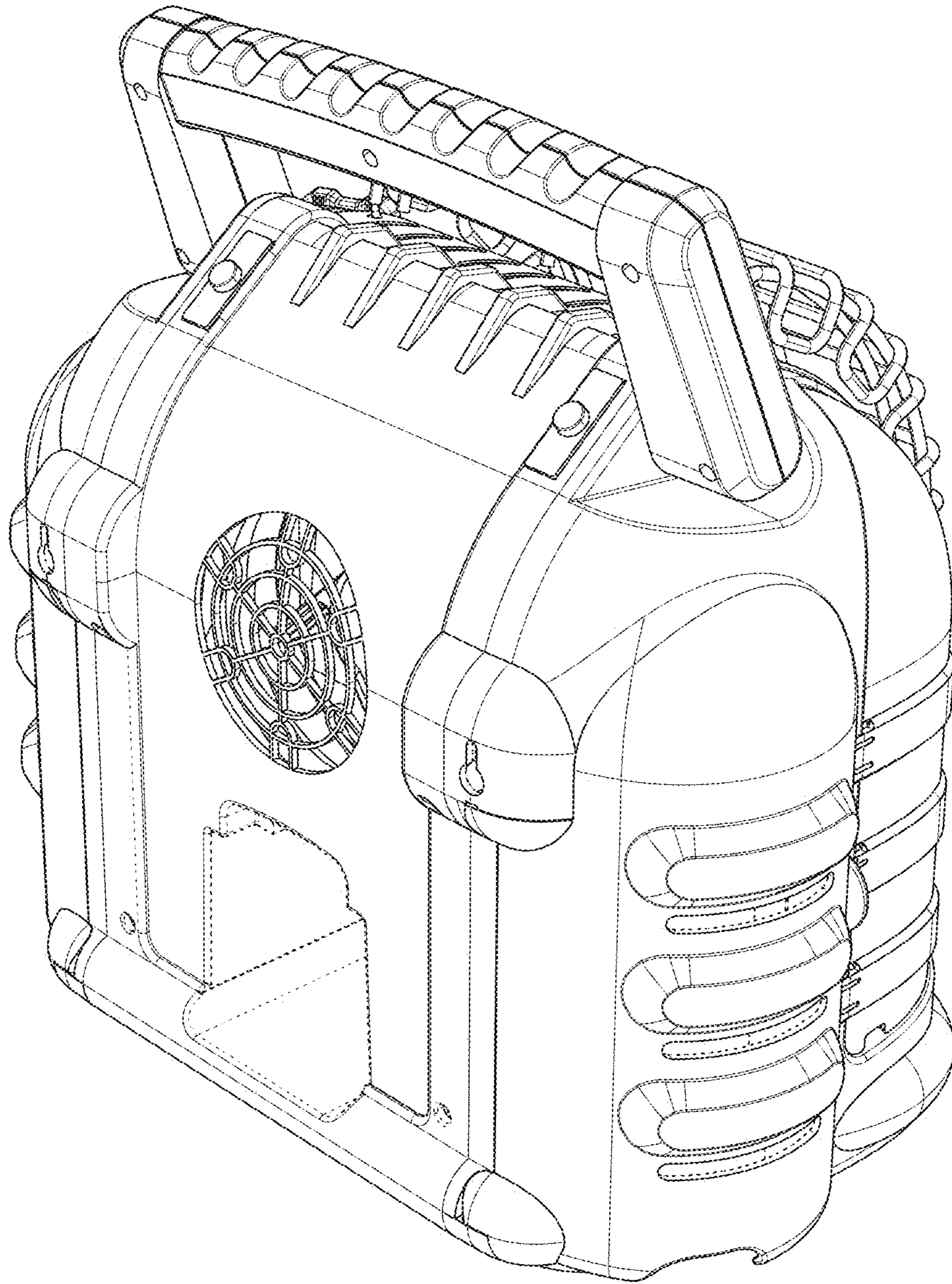


FIG. 8