



US00D907751S

(12) **United States Design Patent** (10) **Patent No.:** **US D907,751 S**
Chan (45) **Date of Patent:** **** Jan. 12, 2021**

(54) **PORTABLE BOILING WATER HEATER**

(71) Applicant: **Perfect Union Co., Ltd.**, New Taipei (TW)

(72) Inventor: **Ching Chan**, New Taipei (TW)

(73) Assignee: **Perfect Union Co., Ltd.**, New Taipei (TW)

(**) Term: **15 Years**

(21) Appl. No.: **29/593,310**

(22) Filed: **Feb. 8, 2017**

(51) **LOC (13) Cl.** **23-03**

(52) **U.S. Cl.**
USPC **D23/316**; D23/314; D23/318; D23/332

(58) **Field of Classification Search**
USPC D23/314, 316, 332, 336, 341; D26/49, D26/50; D30/160; D13/158, 173
CPC A01K 63/065; H05B 3/80
See application file for complete search history.

(56) **References Cited**

U.S. PATENT DOCUMENTS

D309,008 S *	7/1990	Strada	D23/316
4,975,562 A *	12/1990	Friedman	A01K 63/065
			116/282
D327,535 S *	6/1992	Kobayashi	D23/332
5,828,810 A *	10/1998	Frank	H05B 3/80
			392/502
D467,323 S *	12/2002	Cho	D23/332
D516,191 S *	2/2006	Bresolin	D23/316
D537,928 S *	3/2007	Renoud-Grappin	D23/316
D578,193 S *	10/2008	Lo	D23/332
D604,815 S *	11/2009	Sim	D23/316
D689,597 S *	9/2013	Wu	D23/316
D707,804 S *	6/2014	Gough	D23/314
D718,849 S *	12/2014	Lutz	D23/316

D728,086 S *	4/2015	Gough	D23/314
D826,485 S *	8/2018	Maher	D30/199
2006/0083498 A1 *	4/2006	Renoud-Grappin	A01K 63/065
			392/478
2016/0209077 A1 *	7/2016	Wu	B01L 7/02
2018/0344069 A1 *	12/2018	Chan	A47J 27/10
2018/0359814 A1 *	12/2018	West	H05B 3/42
2019/0208954 A1 *	7/2019	van Dorp	A47J 36/2433
2019/0274463 A1 *	9/2019	Chan	A47J 36/00

OTHER PUBLICATIONS

<https://dilipsharma2005.wordpress.com/2011/02/19/hot-water-to-go-portable-battery-powered-drink-heater/> (Year: 2011).*

* cited by examiner

Primary Examiner — Manpreet S Matharu

Assistant Examiner — Keith J Wilson

(74) *Attorney, Agent, or Firm* — Demian K. Jackson; Jackson IPG PLLC

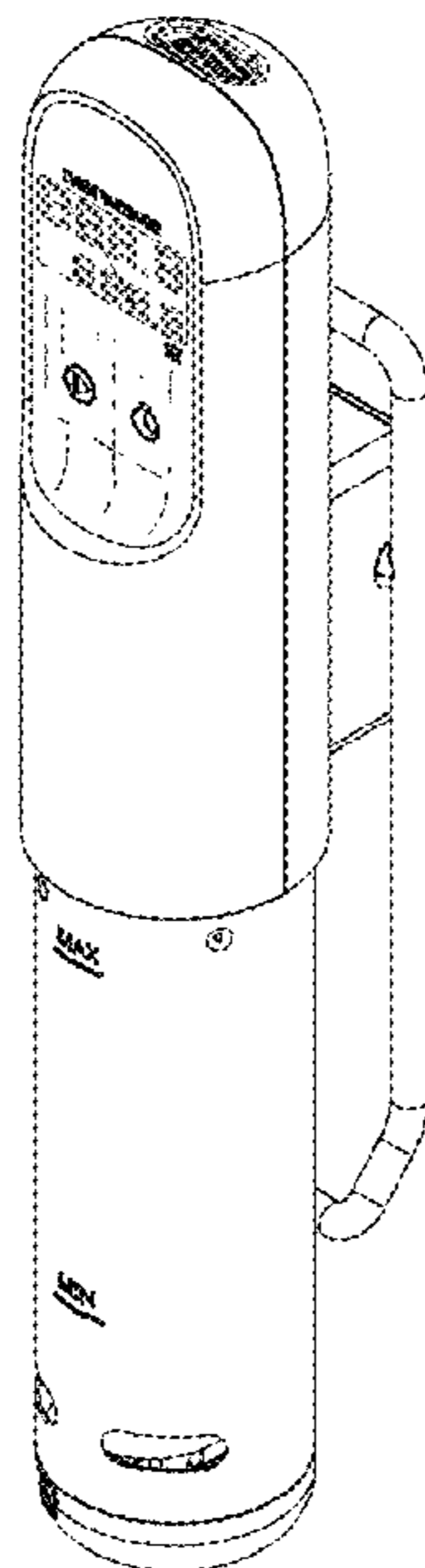
(57) **CLAIM**

The ornamental design for a portable boiling water heater, as shown and described.

DESCRIPTION

FIG. 1 is a top front and left side perspective view of a portable boiling water heater showing my new design; FIG. 2 is a front elevational view thereof; FIG. 3 is a rear elevational view thereof; FIG. 4 is a left side elevational view thereof; FIG. 5 is a right side elevational view thereof; FIG. 6 is a top plan view thereof; and, FIG. 7 is a bottom plan view thereof. The broken lines shown represent portions of a portable boiling water heater and form no part of the claimed design.

1 Claim, 4 Drawing Sheets



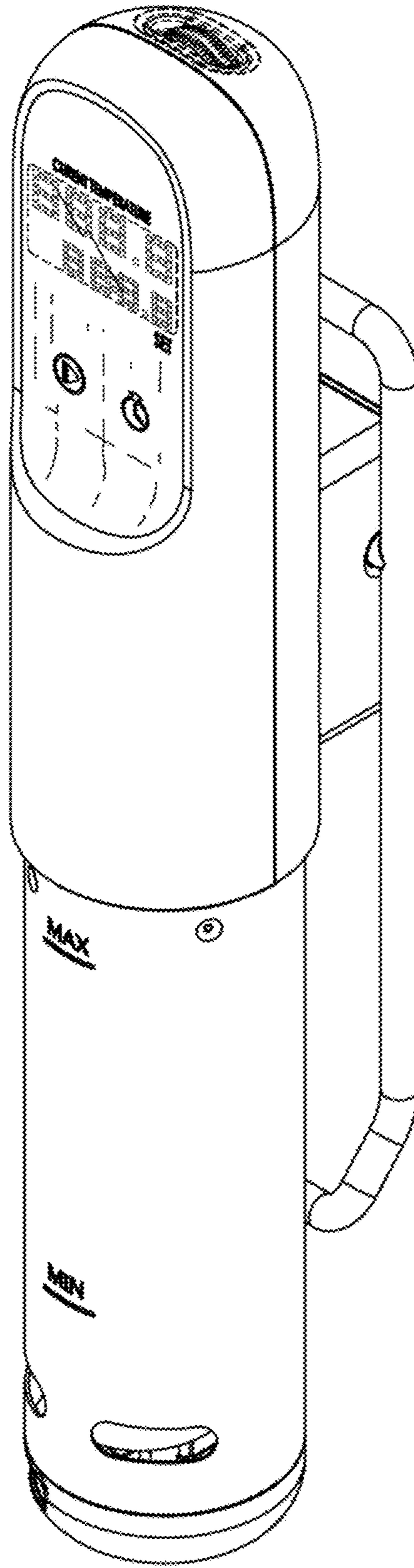


Fig. 1

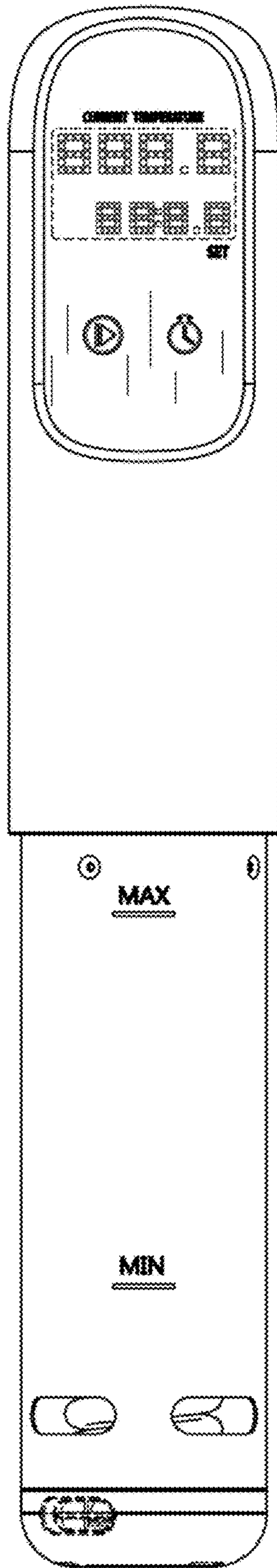


Fig. 2

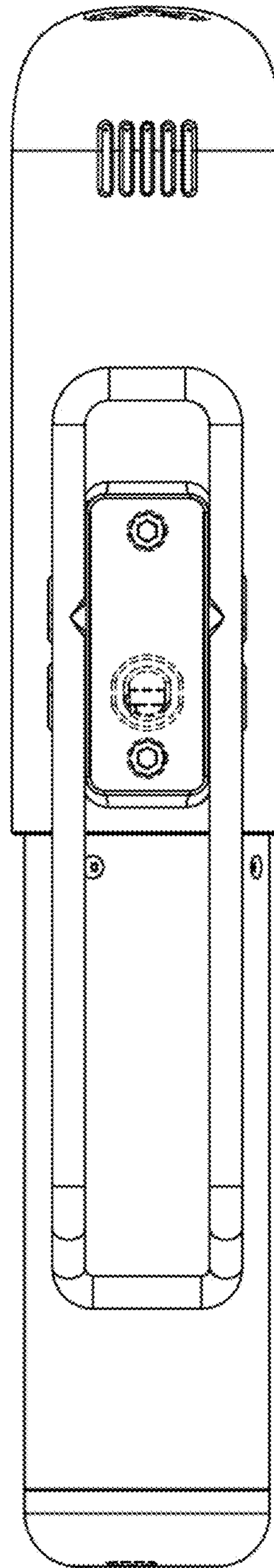


Fig. 3

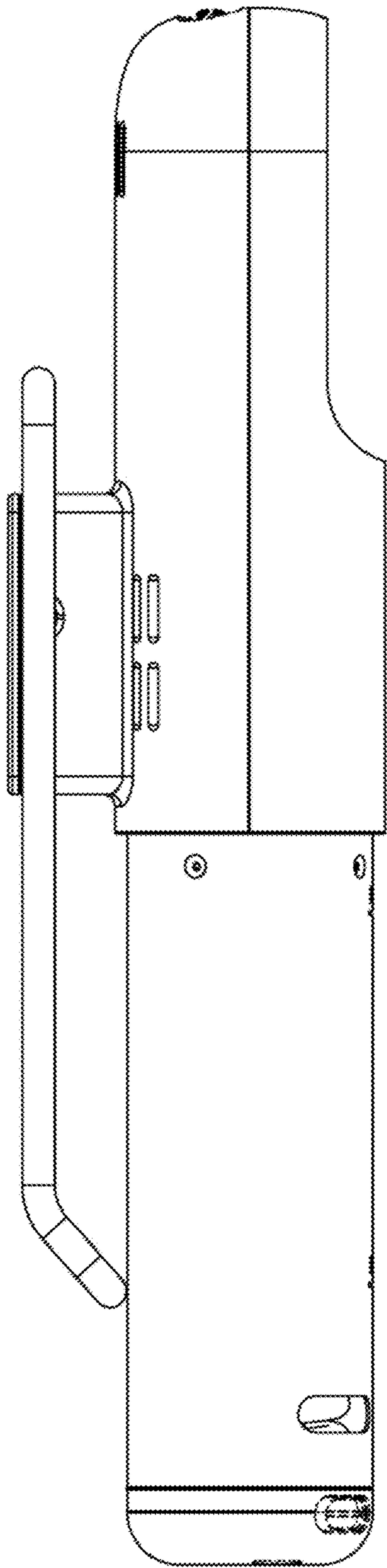


Fig. 4

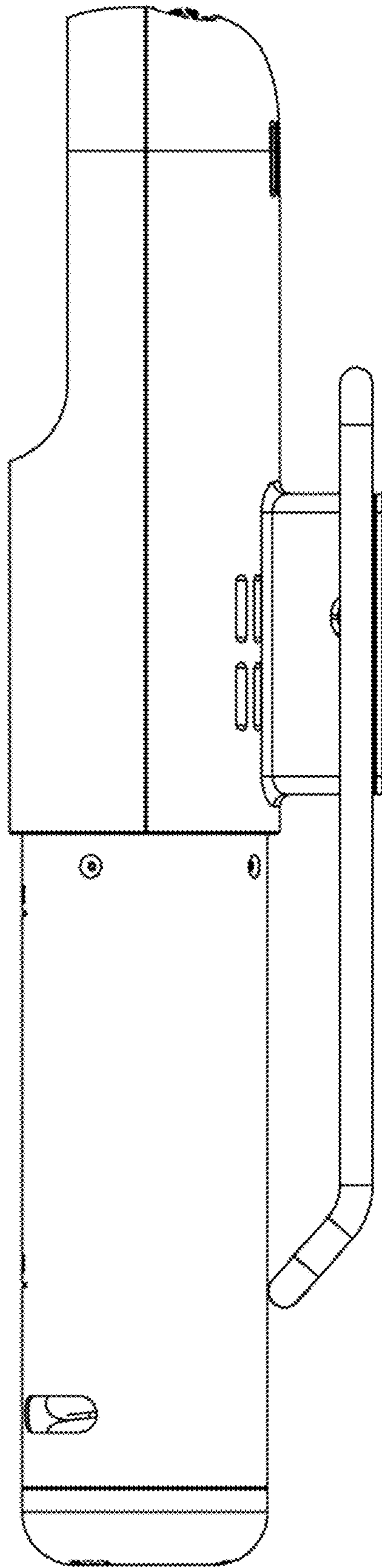


Fig. 5

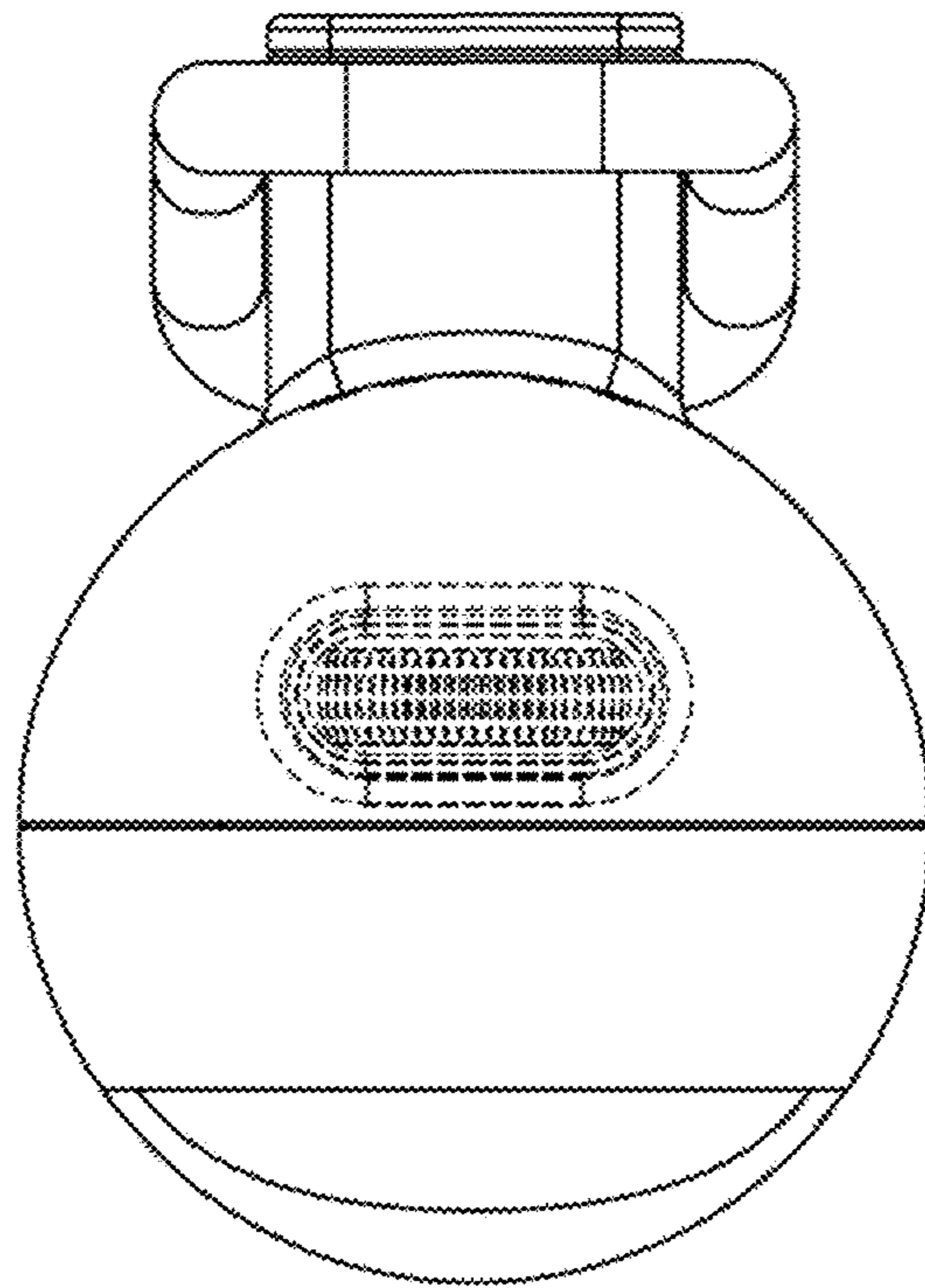


Fig. 6

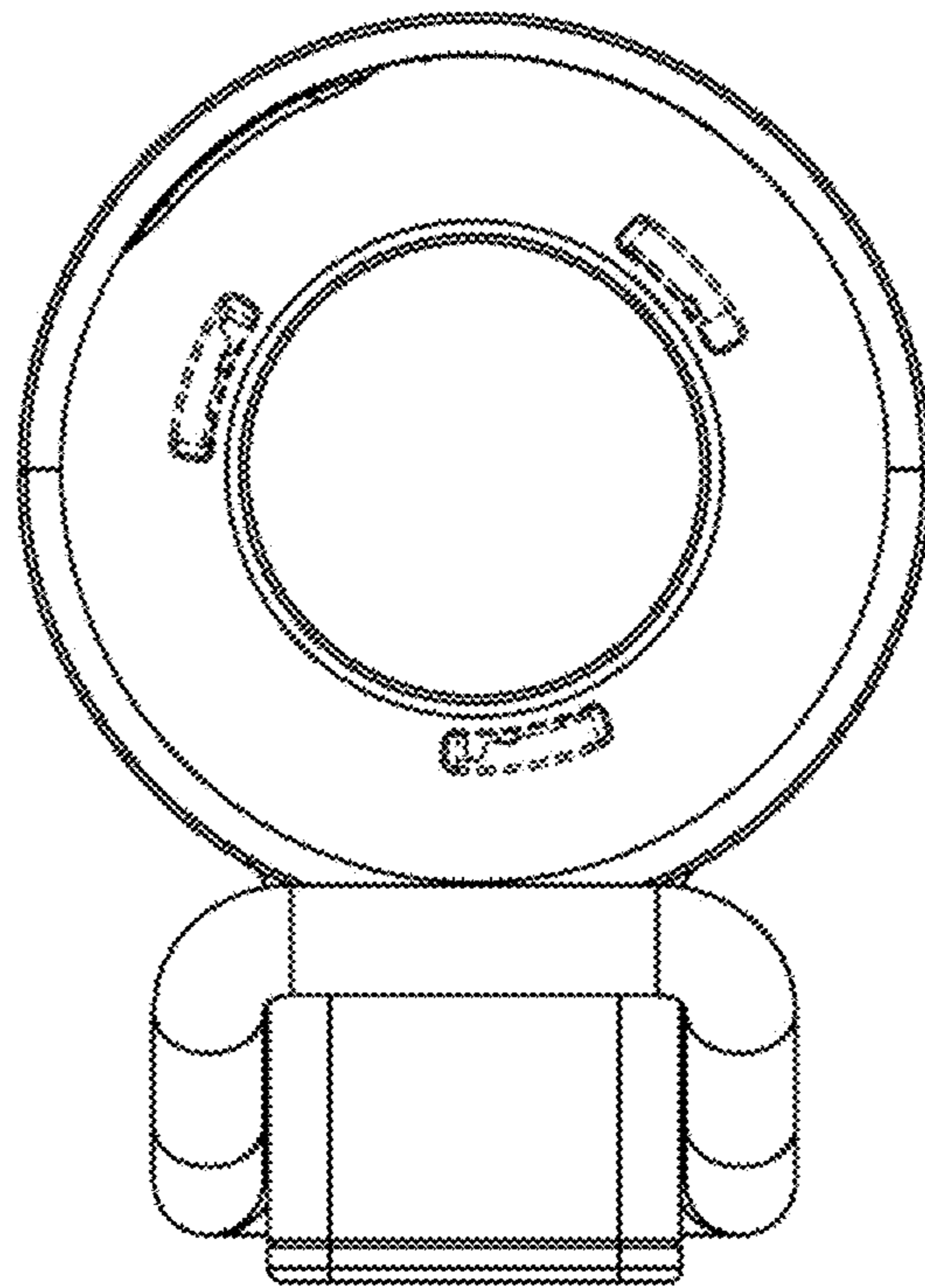


Fig. 7