



US00D907749S

(12) **United States Design Patent**  
**Wang**

(10) **Patent No.:** **US D907,749 S**

(45) **Date of Patent:** **\*\* Jan. 12, 2021**

- (54) **WATER RETAINING STRIP**
- (71) Applicant: **Xingchen Chang**, Shanghai (CN)
- (72) Inventor: **Yueqi Wang**, Shanghai (CN)
- (73) Assignee: **Xingchen Chang**, Shanghai (CN)
- (\*\*) Term: **15 Years**
- (21) Appl. No.: **29/713,196**

- 4,020,639 A \* 5/1977 Nagare ..... E02B 11/005  
D25/122
  - 4,307,139 A \* 12/1981 Yackiw ..... E06B 7/2318  
156/72
  - D263,734 S \* 4/1982 Cunningham ..... D25/122
  - 4,565,033 A \* 1/1986 Tinfow ..... E06B 1/70  
49/468
  - 4,708,898 A \* 11/1987 Gommier ..... E06B 7/2309  
428/122
  - D328,187 S \* 7/1992 Saurette ..... D25/123
- (Continued)

- (22) Filed: **Nov. 14, 2019**
  - (51) **LOC (13) Cl.** ..... **23-02**
  - (52) **U.S. Cl.**  
USPC ..... **D23/303**; D25/48.2; D25/122
  - (58) **Field of Classification Search**  
USPC ..... D25/48.2, 48.4, 108, 114, 119-123, 124;  
D8/400, 402, 403; D23/303, 304, 305  
CPC ..... E04B 1/66; E04B 1/64; E04B 1/68; E04B  
1/70; E04B 1/702; E04B 1/705; A47K  
2003/305; A47K 3/008; A47K 3/302;  
E06B 7/22; E06B 7/23; E06B 7/2303;  
E06B 7/2309; E06B 7/2314; E06B  
7/2316; E06B 2001/707
- See application file for complete search history.

- (56) **References Cited**
- U.S. PATENT DOCUMENTS**
- 693,230 A \* 2/1902 Burkey ..... E06B 7/22  
49/489.1
- 1,728,453 A \* 9/1929 Stanton ..... E06B 7/22  
49/493.1
- 2,546,049 A \* 3/1951 Weaver ..... B60J 10/84  
49/493.1
- 2,877,518 A \* 3/1959 Wondisford ..... E06B 1/70  
49/469
- 2,952,053 A \* 9/1960 Frehse ..... E06B 7/2309  
49/489.1
- 3,061,896 A \* 11/1962 Wahlfeld ..... E06B 1/70  
49/469
- D233,033 S \* 10/1974 Donne ..... D25/122

**OTHER PUBLICATIONS**

Collapsible Shower Threshold Water Dam, Amazon.com, available for sale since at least Oct. 10, 2019, online. Site visited Jan. 30, 2020. Internet URL:<"https://www.amazon.com/dp/B07YYW3BCF/"> (Year: 2019).\*

*Primary Examiner* — Llorellys Martinez  
(74) *Attorney, Agent, or Firm* — ScienBiziP, P.C.

(57) **CLAIM**

The ornamental design for a water retaining strip, as shown and described.

**DESCRIPTION**

FIG. 1 is a top, front, right side perspective view of a water retaining strip, showing my design.

FIG. 2 is a bottom, rear, left side perspective view thereof.

FIG. 3 is a front elevation view thereof.

FIG. 4 is a rear elevation view thereof.

FIG. 5 is a left side elevation view thereof.

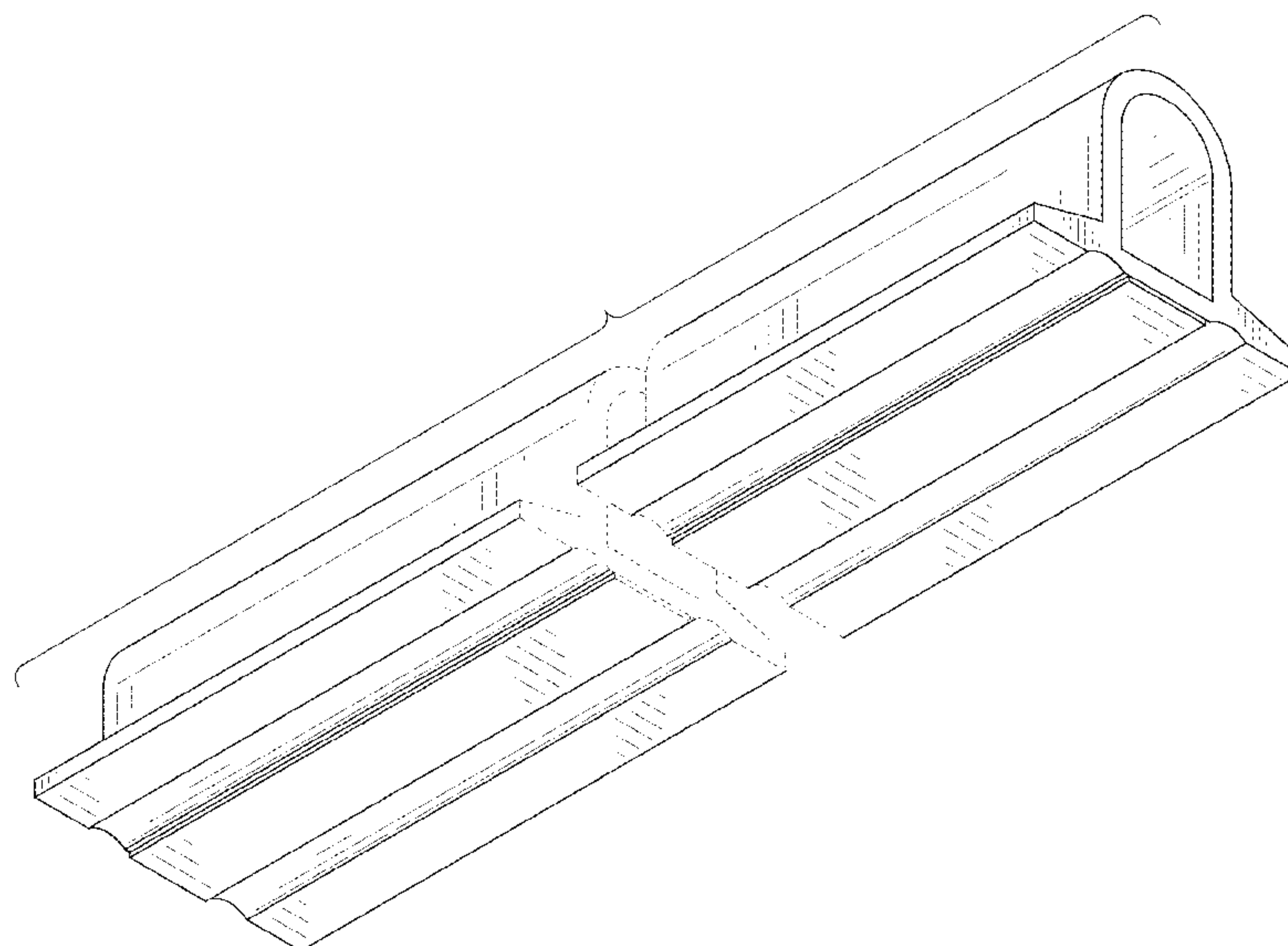
FIG. 6 is a right side elevation view thereof.

FIG. 7 is a top plan view thereof; and,

FIG. 8 is a bottom plan view thereof.

The water retaining strip is shown with a symbolic break in its length. The appearance of any portion of the water retaining strip between the break lines forms no part of the claimed design.

**1 Claim, 8 Drawing Sheets**



(56)

**References Cited**

## U.S. PATENT DOCUMENTS

D490,533 S \* 5/2004 Lockwood ..... D25/122  
D533,325 S 12/2006 Bird  
D536,801 S \* 2/2007 Aughton ..... D25/124  
D549,848 S \* 8/2007 Takeuchi ..... D25/119  
D598,139 S \* 8/2009 Bergmann ..... D25/122  
7,891,136 B1 \* 2/2011 Heroux ..... E06B 7/2316  
292/343  
D666,322 S 8/2012 Morton  
D676,158 S \* 2/2013 Johnston ..... E04F 19/026  
D25/124  
D692,593 S \* 10/2013 Hanser ..... D25/124  
D697,640 S \* 1/2014 Ksiezopolski ..... D25/124  
D713,976 S \* 9/2014 Van Camp ..... D25/124  
D729,413 S \* 5/2015 Male ..... D25/113  
D731,078 S \* 6/2015 Frenette ..... D25/119  
D739,036 S \* 9/2015 McAviney ..... D25/119  
D745,189 S \* 12/2015 Stoesser ..... D25/125  
D861,196 S 9/2019 Apanovich et al.  
D872,891 S \* 1/2020 Hawthorne ..... D25/124  
2009/0079141 A1 \* 3/2009 Qiang ..... E06B 7/2309  
277/650  
2015/0240556 A1 \* 8/2015 Ellingson ..... E06B 7/2314  
49/493.1  
2017/0311764 A1 \* 11/2017 Fine ..... A47K 3/302  
2018/0179809 A1 \* 6/2018 Mathieu ..... E06B 7/2314  
2019/0263992 A1 \* 8/2019 Akahori ..... E06B 7/2314

\* cited by examiner

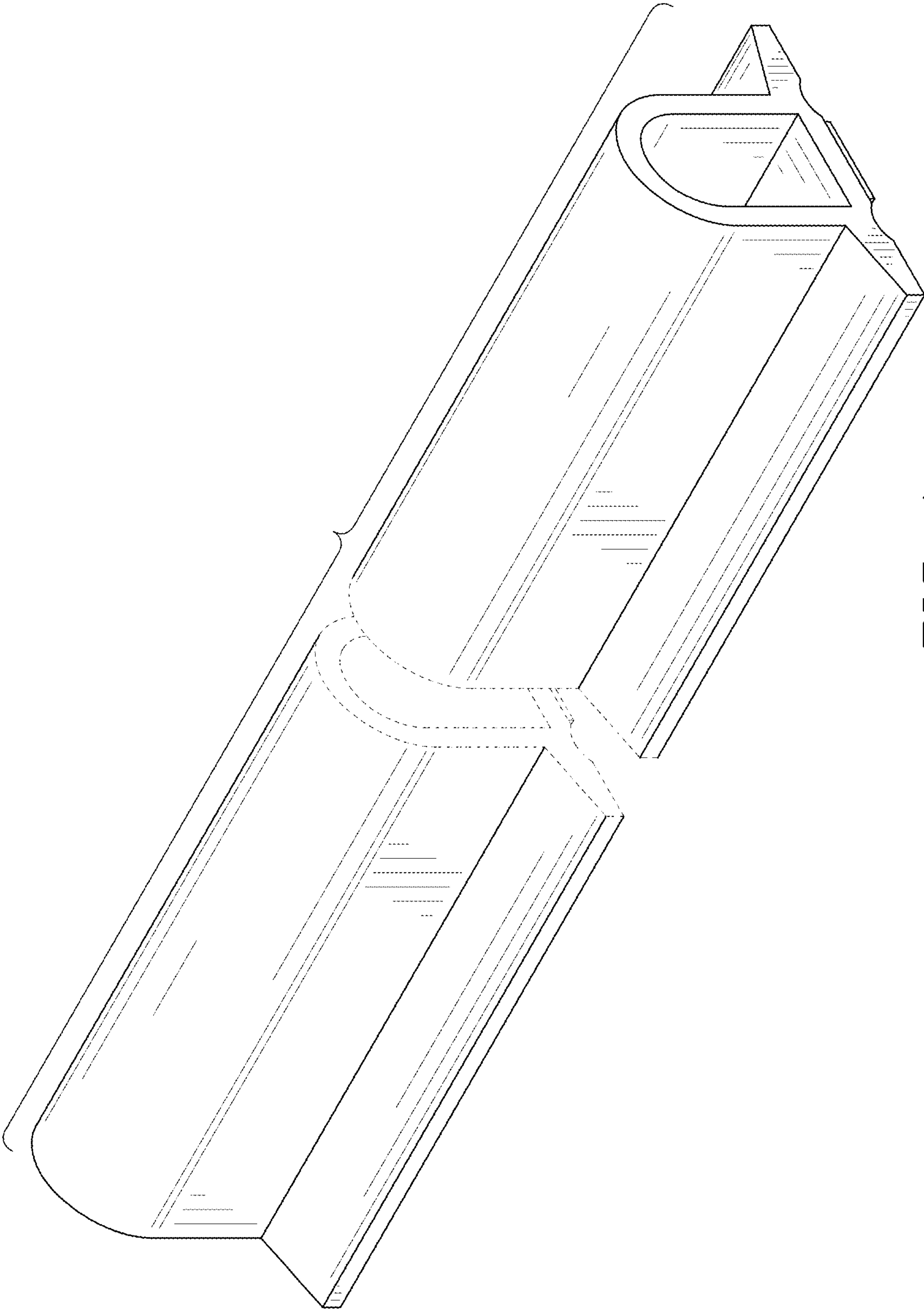


FIG. 1

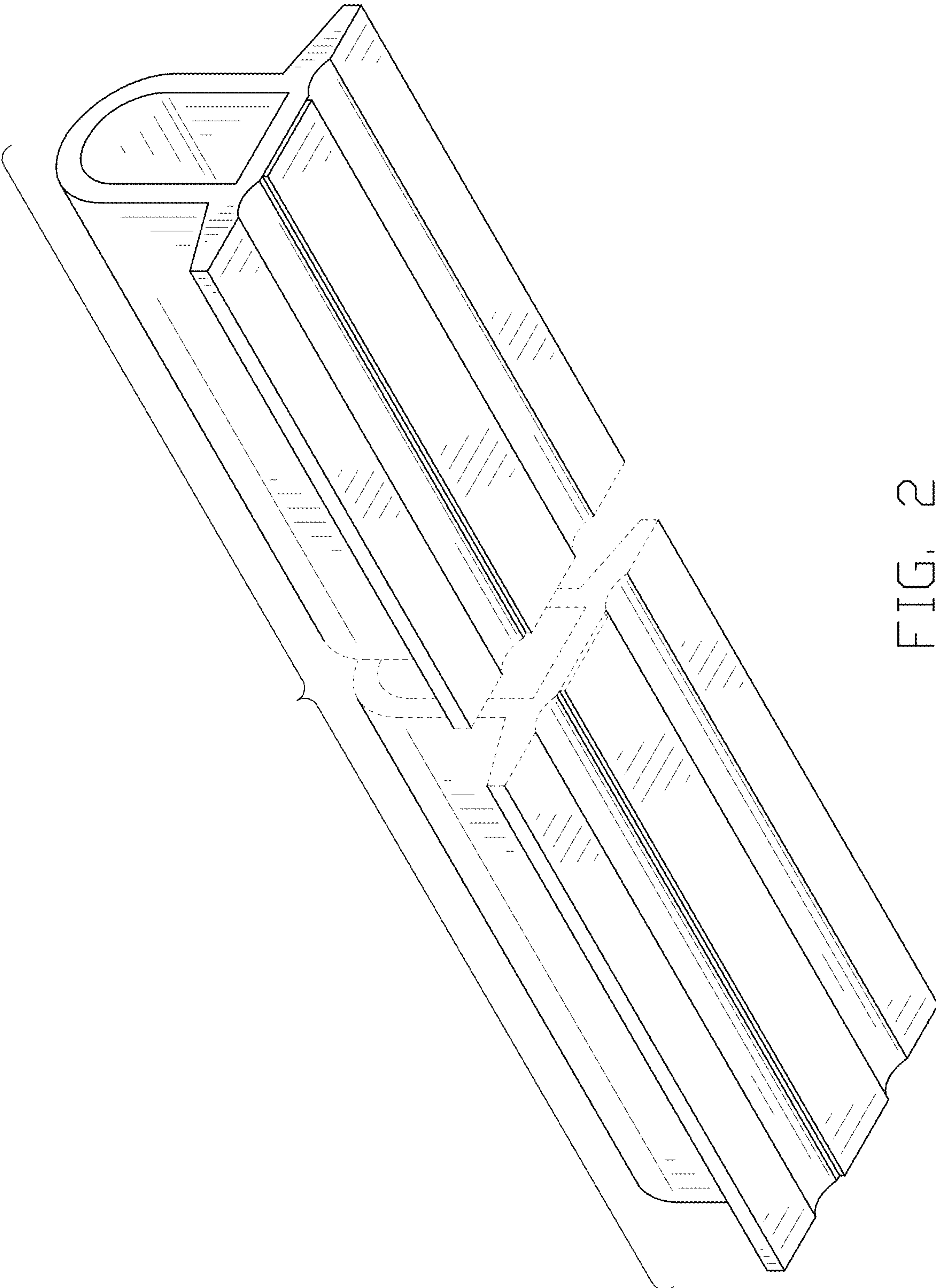


FIG. 2



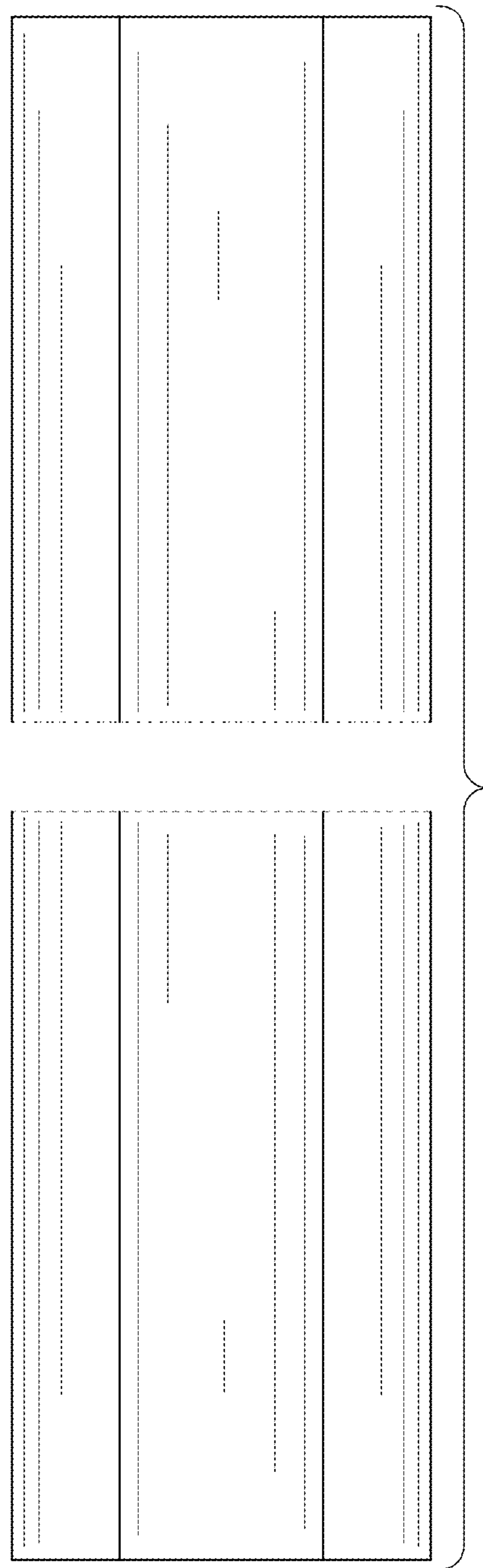


FIG. 3

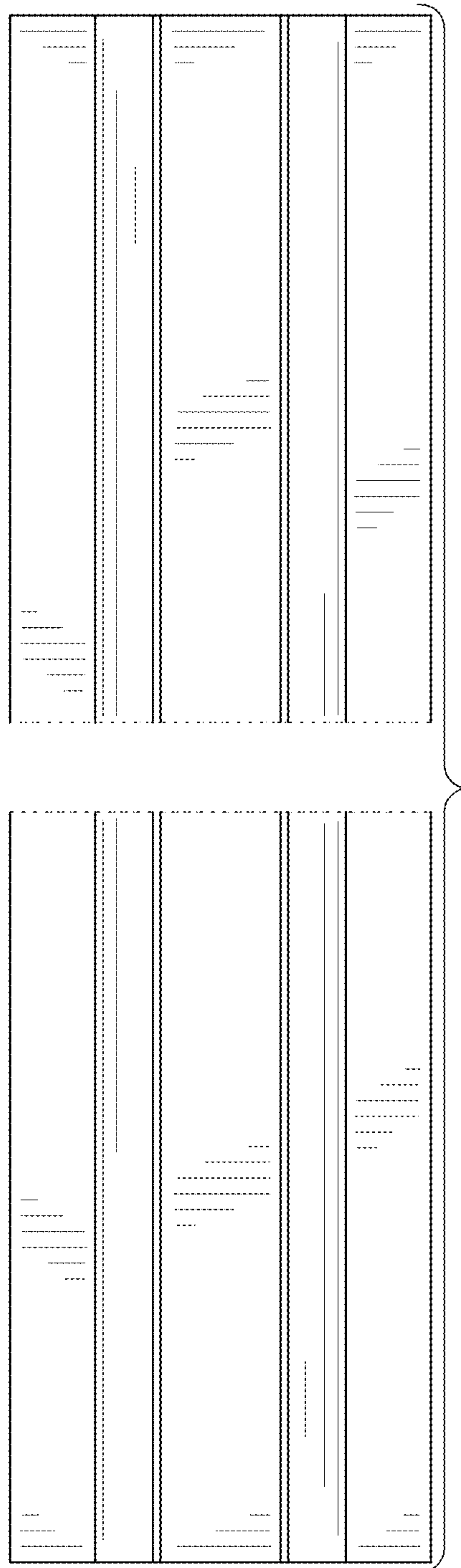


FIG. 4

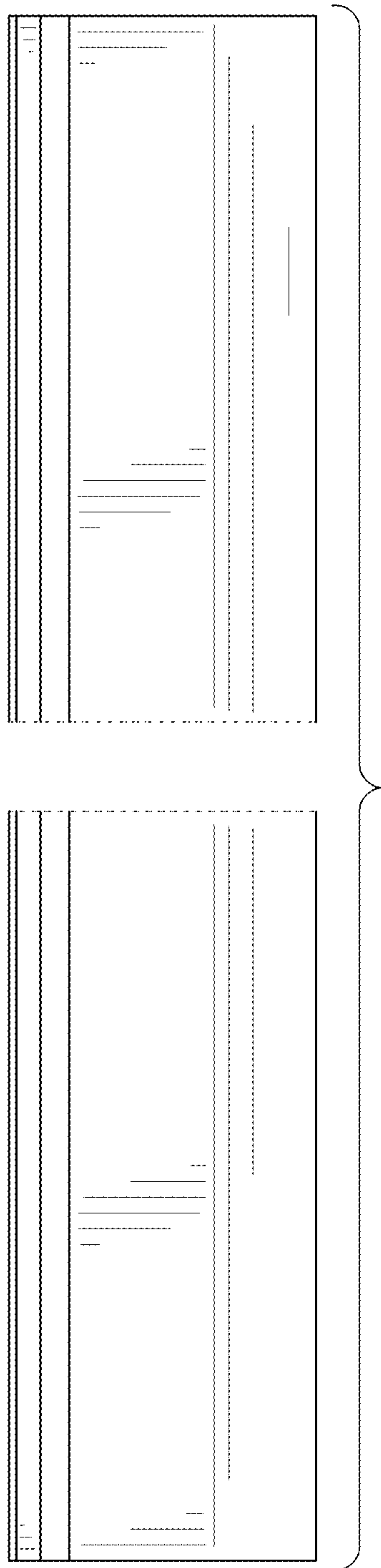


FIG. 5

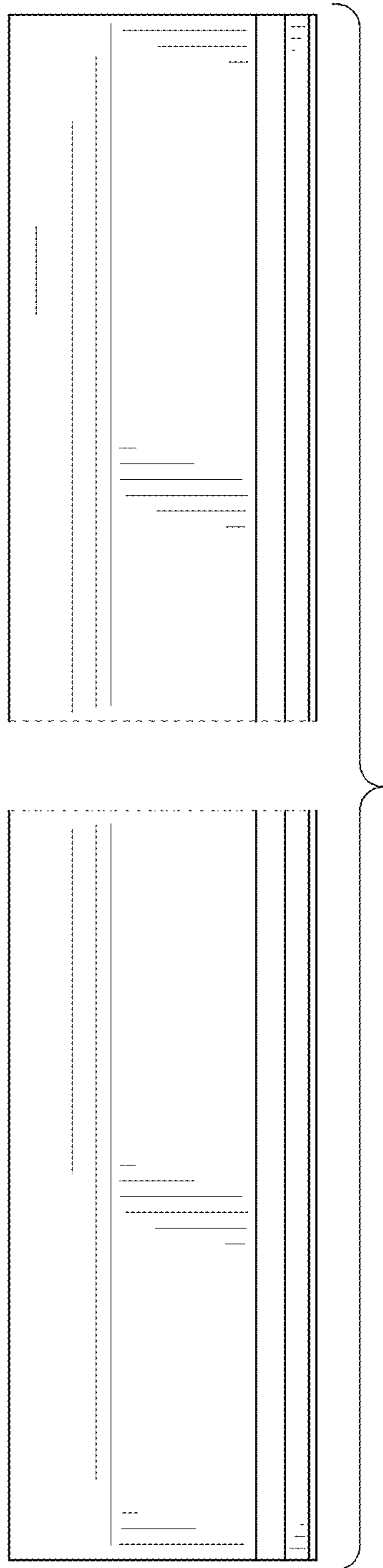


FIG. 6



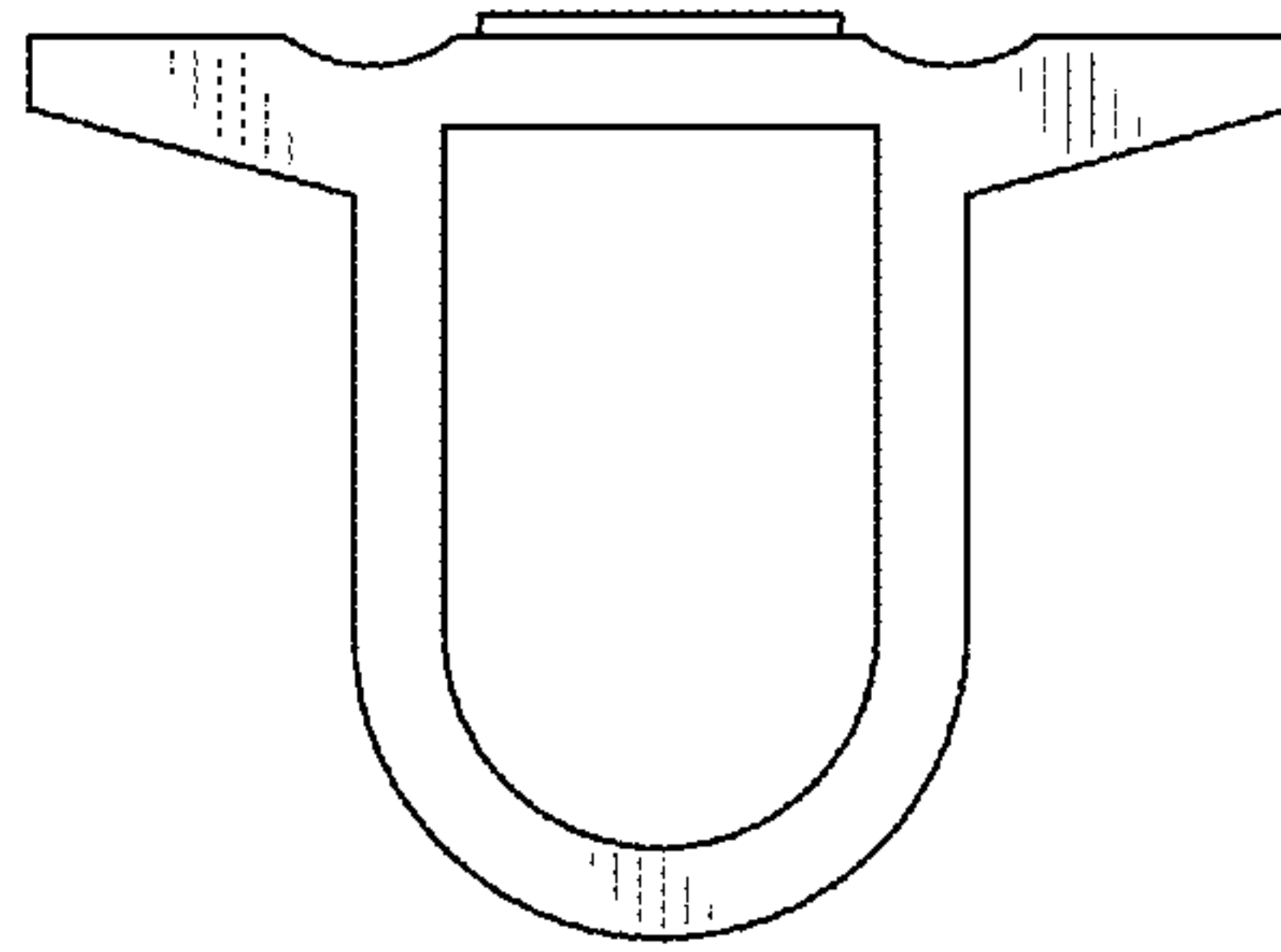


FIG. 7

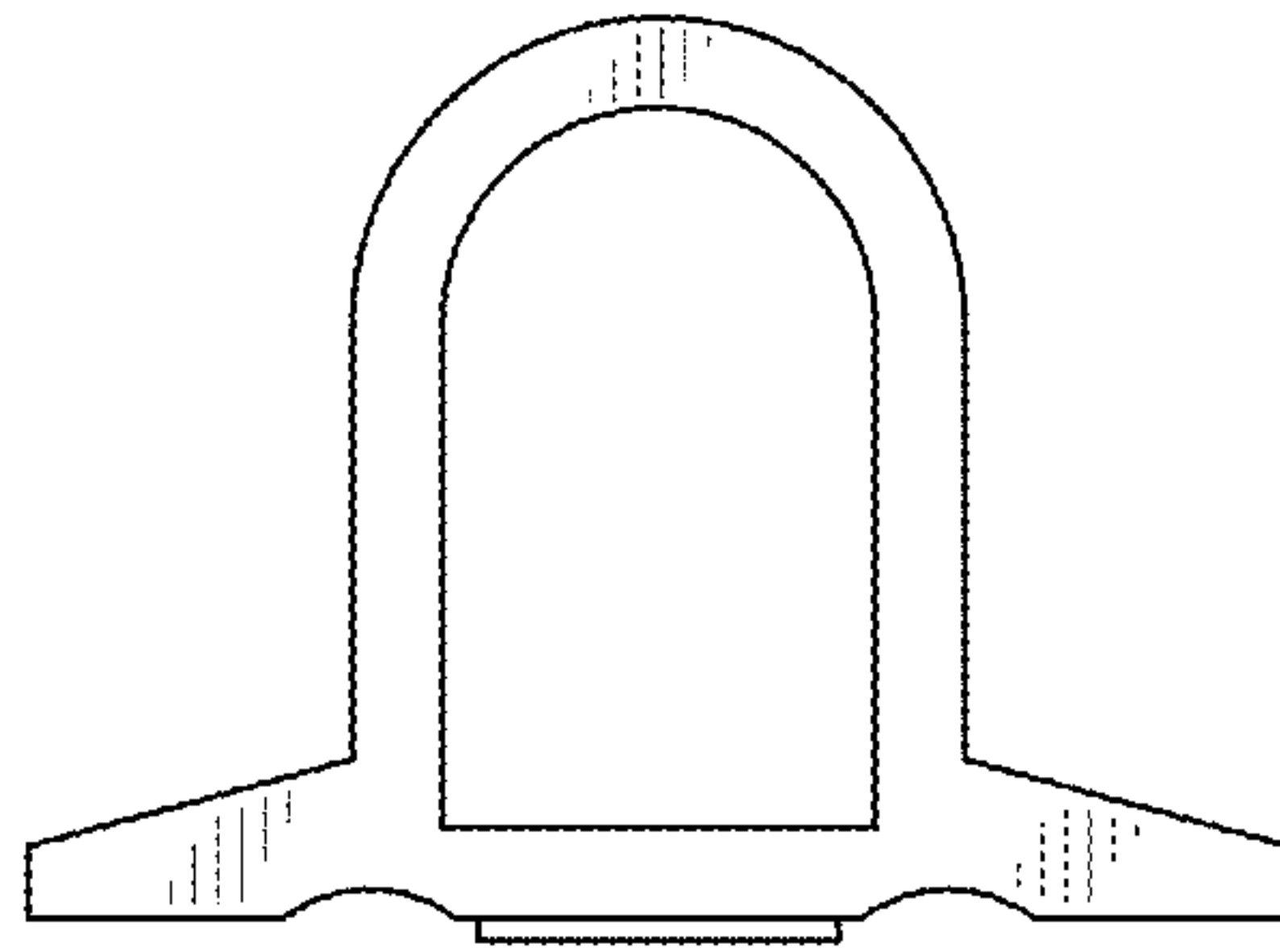


FIG. 8