



US00D907748S

(12) **United States Design Patent**
Jones et al.

(10) **Patent No.:** **US D907,748 S**
(45) **Date of Patent:** **** Jan. 12, 2021**

- (54) **DRAIN COVER**
- (71) Applicant: **Danco, Inc.**, Irving, TX (US)
- (72) Inventors: **Robert Clifton Jones**, Rockwall, TX (US); **Casey J. Fregoe**, The Colony, TX (US)
- (73) Assignee: **Danco, Inc.**, Irving, TX (US)
- (**) Term: **15 Years**
- (21) Appl. No.: **29/700,107**
- (22) Filed: **Jul. 31, 2019**
- (51) **LOC (13) Cl.** **23-01**
- (52) **U.S. Cl.**
USPC **D23/261**
- (58) **Field of Classification Search**
USPC D23/269–262, 265–266; 210/163–164;
4/286–295, 679, 613, 689, 684
CPC E02D 31/02; E03F 3/046
See application file for complete search history.

(56) **References Cited**

U.S. PATENT DOCUMENTS

3,212,416	A *	10/1965	Boersma	E03F 5/06
					210/164
4,257,892	A *	3/1981	Boersma	E03F 5/0407
					210/163
5,745,931	A	5/1998	Ball		
6,173,459	B1 *	1/2001	Ball	E03C 1/232
					4/680
D461,233	S *	8/2002	Whalen	D23/261
D563,529	S *	3/2008	Labonte	D23/261
D564,636	S *	3/2008	Hanna	D23/261
D574,066	S *	7/2008	Hanna	D23/261

D670,794	S *	11/2012	Antoniello	D23/262
8,607,376	B2	12/2013	Ball		
8,813,272	B2 *	8/2014	Ball	E03C 1/26
					4/286
D746,955	S *	1/2016	Corder	D23/261
D779,045	S *	2/2017	Johansen	D23/261
D787,023	S	5/2017	Ball		
D787,024	S	5/2017	Ball		
D844,758	S	4/2019	Ball		
D856,495	S	8/2019	Ball		
2018/0320346	A1 *	11/2018	Jackson	C02F 1/68

* cited by examiner

Primary Examiner — Amy C Wierenga

(74) *Attorney, Agent, or Firm* — Scheef & Stone, LLP;
Robin L. Barnes

(57) **CLAIM**

We claim the ornamental design for a drain cover, as shown and described.

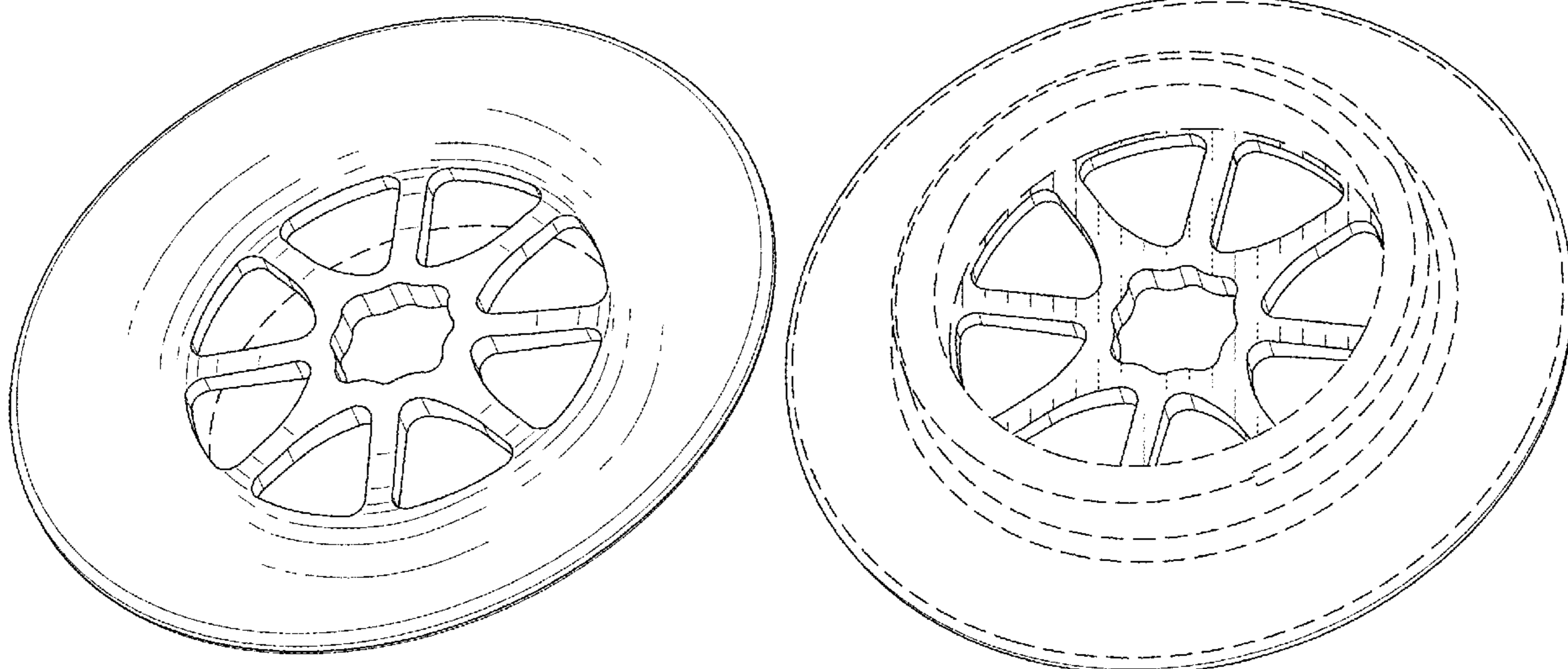
DESCRIPTION

FIG. 1 is a top perspective view;
 FIG. 2 is a bottom perspective view;
 FIG. 3 is a top plan view;
 FIG. 4 is a bottom plan view;
 FIG. 5 is a front elevation view;
 FIG. 6 is a cross-sectional view taken from line 6-6 of FIG. 3; and,
 FIG. 7 is a cross-sectional view taken from line 7-7 of FIG. 3.

Wherein the right, left and rear elevations are identical to the front elevation.

The broken lines shown in the drawings illustrate portions of the drain cover that form no part of the claim.

1 Claim, 3 Drawing Sheets



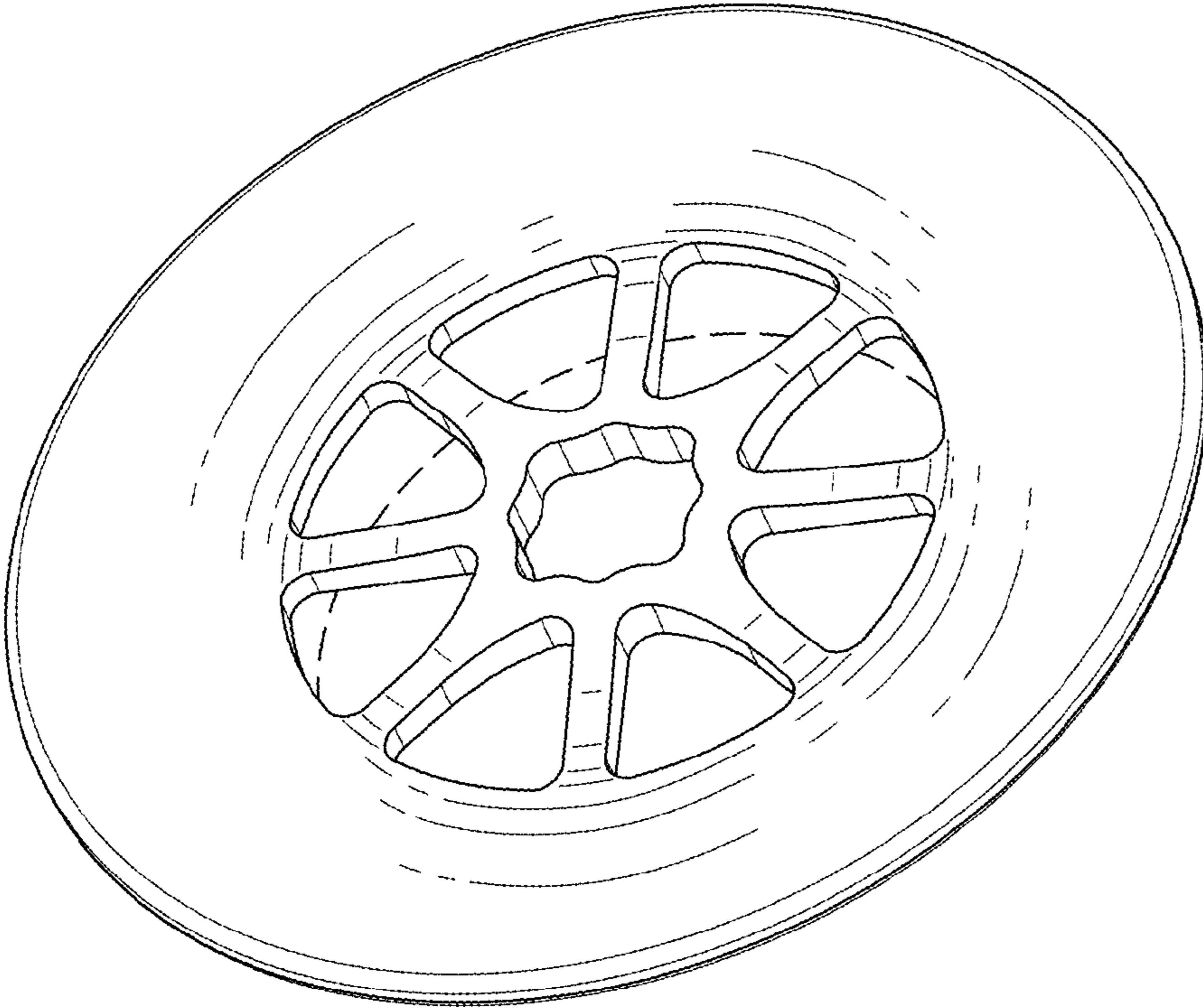


FIG. 1

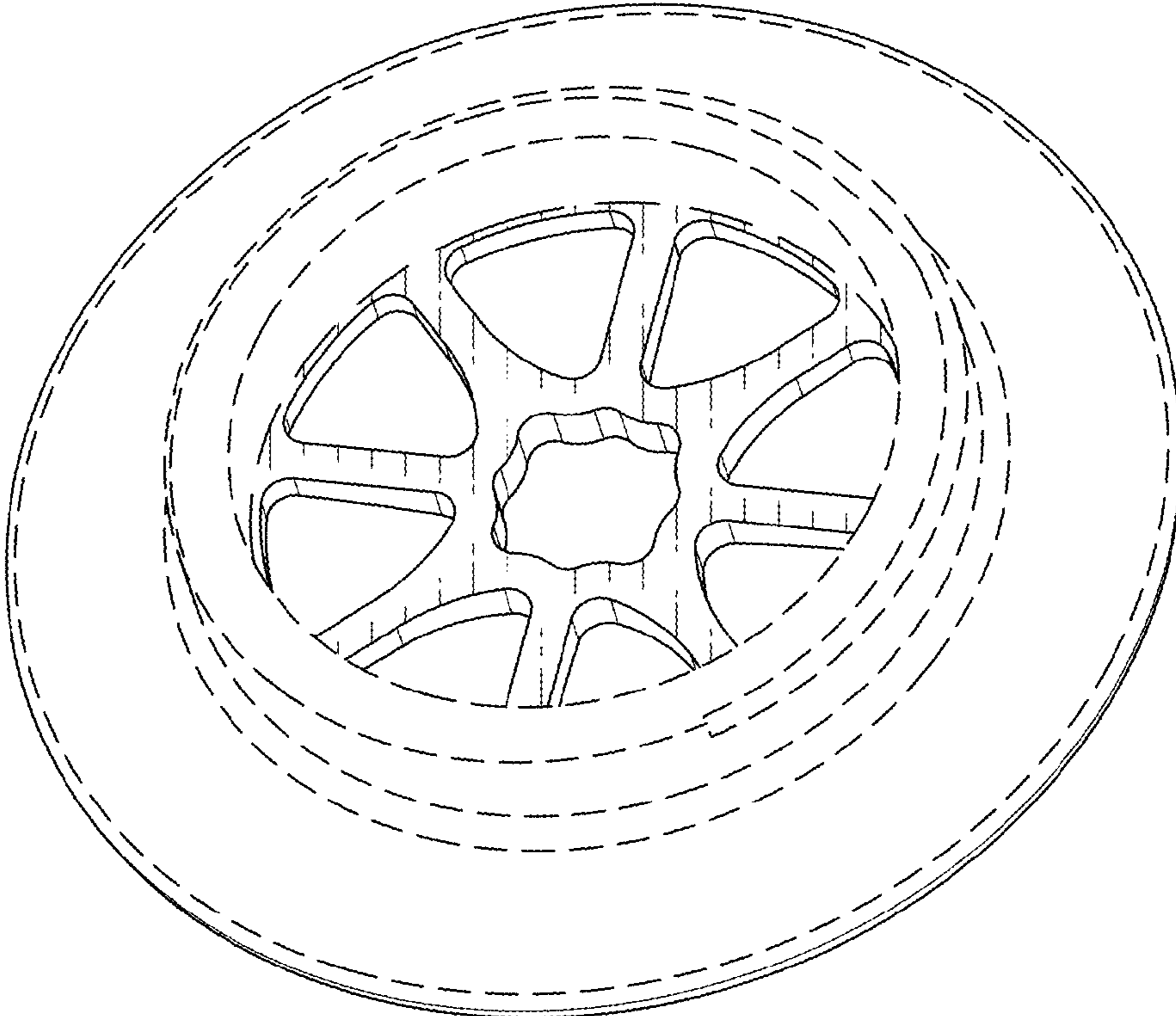


FIG. 2

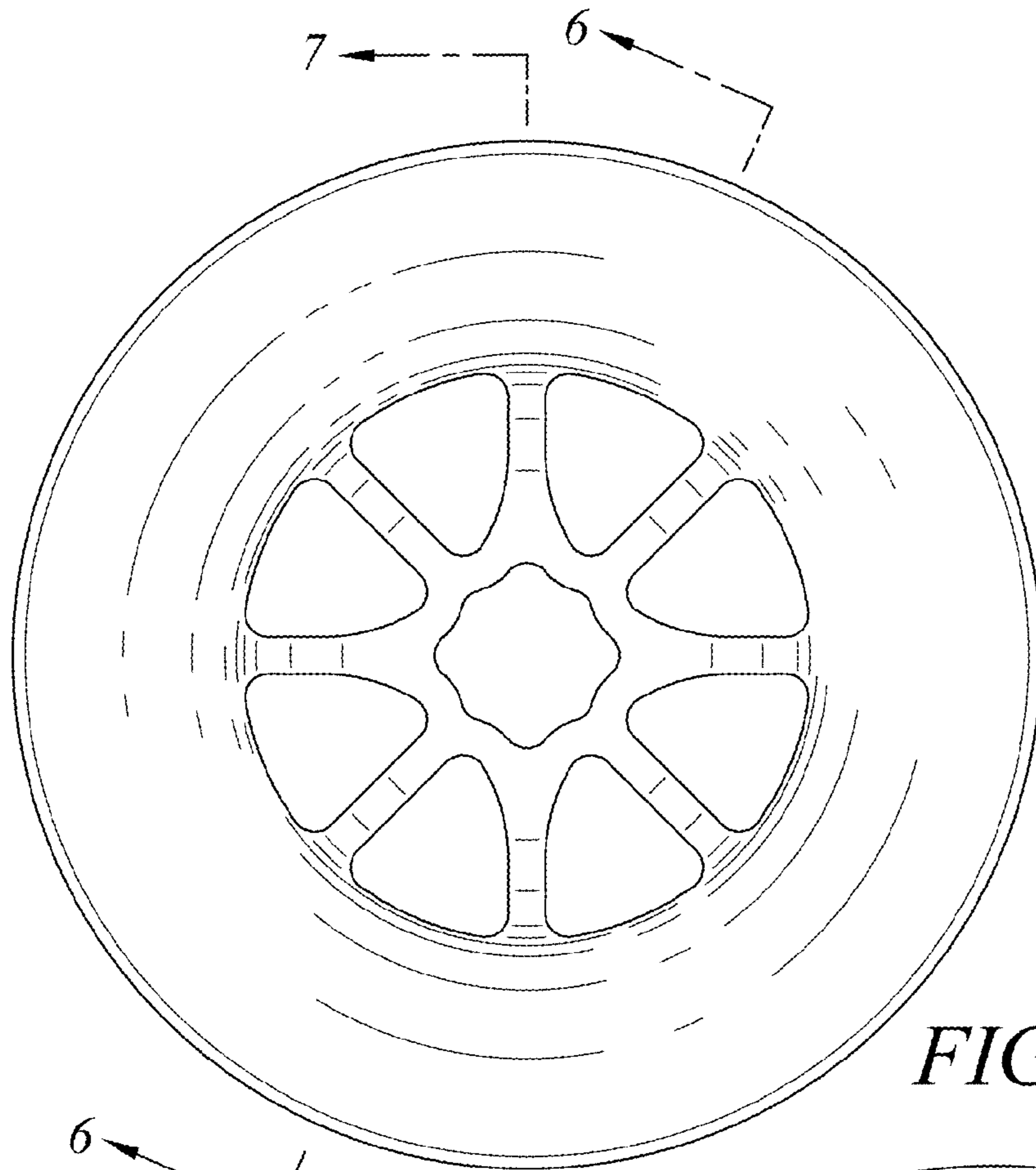


FIG. 3

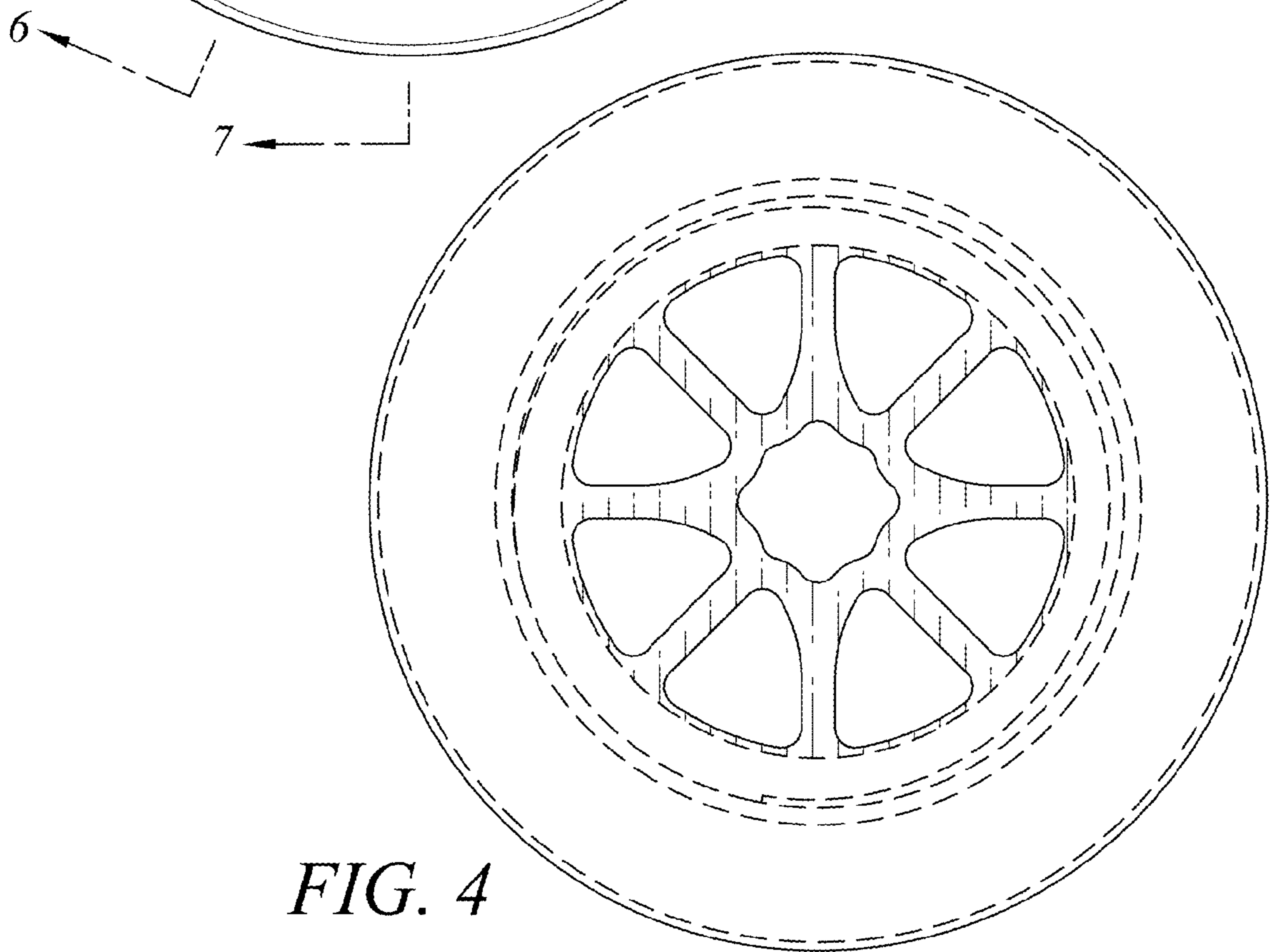


FIG. 4

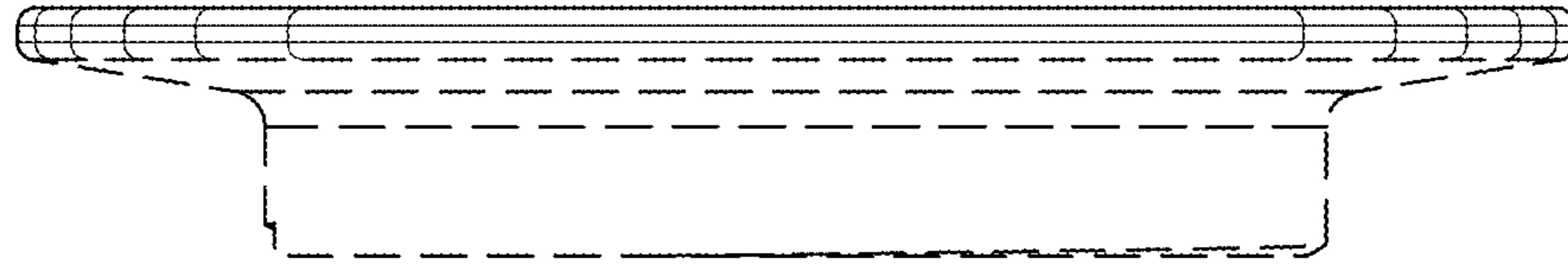


FIG. 5

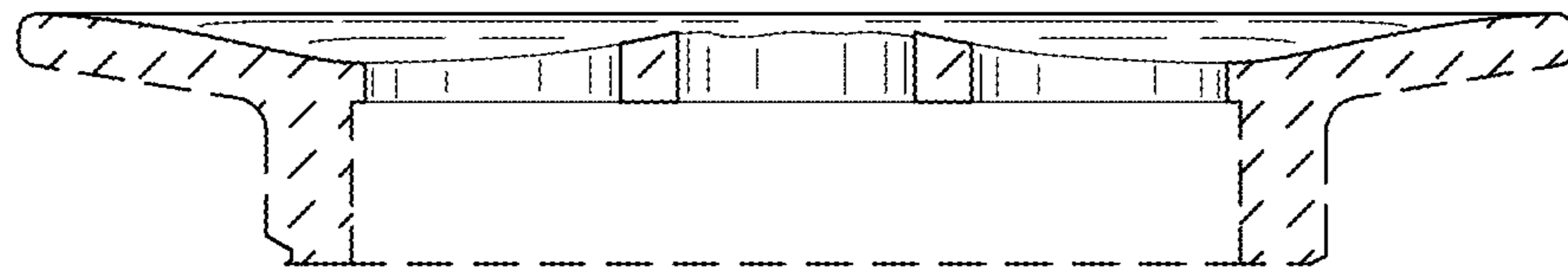


FIG. 6

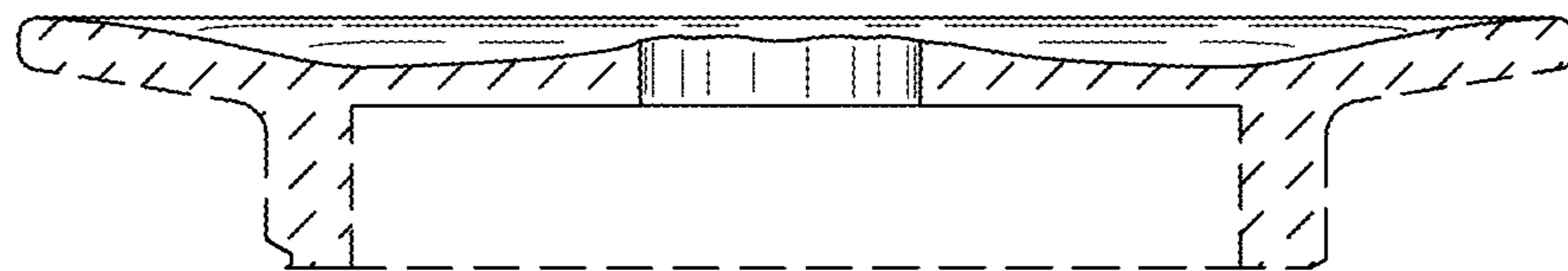


FIG. 7